



Cisco Prime Network Control System Appliance Getting Started Guide

Release 1.0.0

Last revised: February 2013

Americas Headquarters

Cisco Systems, Inc.
170 West Tasman Drive
San Jose, CA 95134-1706
USA
<http://www.cisco.com>
Tel: 408 526-4000
800 553-NETS (6387)
Fax: 408 527-0883

Customer Order Number:

THE SPECIFICATIONS AND INFORMATION REGARDING THE PRODUCTS IN THIS MANUAL ARE SUBJECT TO CHANGE WITHOUT NOTICE. ALL STATEMENTS, INFORMATION, AND RECOMMENDATIONS IN THIS MANUAL ARE BELIEVED TO BE ACCURATE BUT ARE PRESENTED WITHOUT WARRANTY OF ANY KIND, EXPRESS OR IMPLIED. USERS MUST TAKE FULL RESPONSIBILITY FOR THEIR APPLICATION OF ANY PRODUCTS.

THE SOFTWARE LICENSE AND LIMITED WARRANTY FOR THE ACCOMPANYING PRODUCT ARE SET FORTH IN THE INFORMATION PACKET THAT SHIPPED WITH THE PRODUCT AND ARE INCORPORATED HEREIN BY THIS REFERENCE. IF YOU ARE UNABLE TO LOCATE THE SOFTWARE LICENSE OR LIMITED WARRANTY, CONTACT YOUR CISCO REPRESENTATIVE FOR A COPY.

The following information is for FCC compliance of Class A devices: This equipment has been tested and found to comply with the limits for a Class A digital device, pursuant to part 15 of the FCC rules. These limits are designed to provide reasonable protection against harmful interference when the equipment is operated in a commercial environment. This equipment generates, uses, and can radiate radio-frequency energy and, if not installed and used in accordance with the instruction manual, may cause harmful interference to radio communications. Operation of this equipment in a residential area is likely to cause harmful interference, in which case users will be required to correct the interference at their own expense.

The following information is for FCC compliance of Class B devices: This equipment has been tested and found to comply with the limits for a Class B digital device, pursuant to part 15 of the FCC rules. These limits are designed to provide reasonable protection against harmful interference in a residential installation. This equipment generates, uses and can radiate radio frequency energy and, if not installed and used in accordance with the instructions, may cause harmful interference to radio communications. However, there is no guarantee that interference will not occur in a particular installation. If the equipment causes interference to radio or television reception, which can be determined by turning the equipment off and on, users are encouraged to try to correct the interference by using one or more of the following measures:

- Reorient or relocate the receiving antenna.
- Increase the separation between the equipment and receiver.
- Connect the equipment into an outlet on a circuit different from that to which the receiver is connected.
- Consult the dealer or an experienced radio/TV technician for help.

Modifications to this product not authorized by Cisco could void the FCC approval and negate your authority to operate the product.

The Cisco implementation of TCP header compression is an adaptation of a program developed by the University of California, Berkeley (UCB) as part of UCB's public domain version of the UNIX operating system. All rights reserved. Copyright © 1981, Regents of the University of California.

NOTWITHSTANDING ANY OTHER WARRANTY HEREIN, ALL DOCUMENT FILES AND SOFTWARE OF THESE SUPPLIERS ARE PROVIDED "AS IS" WITH ALL FAULTS. CISCO AND THE ABOVE-NAMED SUPPLIERS DISCLAIM ALL WARRANTIES, EXPRESSED OR IMPLIED, INCLUDING, WITHOUT LIMITATION, THOSE OF MERCHANTABILITY, FITNESS FOR A PARTICULAR PURPOSE AND NONINFRINGEMENT OR ARISING FROM A COURSE OF DEALING, USAGE, OR TRADE PRACTICE.

IN NO EVENT SHALL CISCO OR ITS SUPPLIERS BE LIABLE FOR ANY INDIRECT, SPECIAL, CONSEQUENTIAL, OR INCIDENTAL DAMAGES, INCLUDING, WITHOUT LIMITATION, LOST PROFITS OR LOSS OR DAMAGE TO DATA ARISING OUT OF THE USE OR INABILITY TO USE THIS MANUAL, EVEN IF CISCO OR ITS SUPPLIERS HAVE BEEN ADVISED OF THE POSSIBILITY OF SUCH DAMAGES.

CCVP, the Cisco logo, and Welcome to the Human Network are trademarks of Cisco Systems, Inc.; Changing the Way We Work, Live, Play, and Learn is a service mark of Cisco Systems, Inc.; and Access Registrar, Aironet, Catalyst, CCDA, CCDP, CCIE, CCIP, CCNA, CCNP, CCSP, Cisco, the Cisco Certified Internetwork Expert logo, Cisco IOS, Cisco Press, Cisco Systems, Cisco Systems Capital, the Cisco Systems logo, Cisco Unity, Enterprise/Solver, EtherChannel, EtherFast, EtherSwitch, Fast Step, Follow Me Browsing, FormShare, GigaDrive, HomeLink, Internet Quotient, IOS, iPhone, IP/TV, iQ Expertise, the iQ logo, iQ Net Readiness Scorecard, iQuick Study, LightStream, Linksys, MeetingPlace, MGX, Networkers, Networking Academy, Network Registrar, PIX, ProConnect, ScriptShare, SMARTnet, StackWise, The Fastest Way to Increase Your Internet Quotient, and TransPath are registered trademarks of Cisco Systems, Inc. and/or its affiliates in the United States and certain other countries.

All other trademarks mentioned in this document or Website are the property of their respective owners. The use of the word partner does not imply a partnership relationship between Cisco and any other company. (0711R)

Any Internet Protocol (IP) addresses and phone numbers used in this document are not intended to be actual addresses and phone numbers. Any examples, command display output, network topology diagrams, and other figures included in the document are shown for illustrative purposes only. Any use of actual IP addresses or phone numbers in illustrative content is unintentional and coincidental.

Cisco Prime Network Control System Appliance Getting Started Guide
© 2012 Cisco Systems, Inc. All rights reserved.



CONTENTS

Preface vii

- About This Guide vii
- Cisco Prime Network Control System Appliance vii
- General Warnings, Regulatory and Safety viii

Installation and Initial Configuration 1-1

- Supported Hardware 1-2
- Required Tools and Information 1-3
 - Required Hardware 1-3
 - CLI Console Requirements 1-3
 - System Configuration Parameters 1-3
- Hardware Specifications 1-4
- Choosing a Physical Location for the Cisco Prime Network Control System Appliance 1-5
 - General Precautions 1-5
 - Laser Devices 1-5
 - Space and Airflow Requirements 1-5
 - Temperature Requirements 1-6
 - Power Requirements 1-6
 - Power Supplies on the Cisco Prime Network Control System Appliance 1-6
 - Batteries 1-7
 - Electrical Grounding Requirements 1-7
 - Rack Warnings 1-8
- Unpacking the Cisco Prime Network Control System Appliance 1-8
 - Package Contents 1-8
- Mounting the Cisco Prime Network Control System Appliance in a Rack 1-9
 - Installing the Cisco Prime Network Control System Appliance in the Rack Cabinet Using the Universal Rack Mount Kit 1-9
- Front and Rear Panel 1-16
 - Front Panel 1-16
 - Front Panel Components 1-17
 - Operator Information Panel 1-17
 - Operator Information Panel Components 1-18
 - Light Path Diagnostics Panel 1-18
 - Light Path Diagnostics Panel Components 1-19
 - Rear Panel 1-21

Rear Panel Components	1-22
Power-supply LEDs	1-24
Cisco Prime Network Control System Appliance Power Features	1-25
Turning on the Cisco Prime Network Control System Appliance	1-26
Turning off the Cisco Prime Network Control System Appliance	1-26
Replacing a Failed Hot-Swap Hard Disk Drive	1-26
Replacing a Hot-Swap AC Power Supply	1-27
Connecting the Cables	1-29
Connecting and Using the CLI Console	1-30
Powering On the Cisco Prime Network Control System Appliance	1-30
Configuring the Cisco Prime Network Control System Appliance	1-31
Automatic Installation Script	1-31
HA Primary Machine	1-32
HA Secondary Machine	1-33
Logging in to the NCS Appliance	1-33
Exporting Data from the Cisco Wireless Controller System	1-34
Importing WCS data to the Cisco Prime Network Control System	1-34
Configuring an NTP Server	1-34
Verifying the Cisco Prime Network Control System Appliance Software State	1-35
Manually Stopping Cisco Prime Network Control System Appliance Software	1-35
Emergency Recovery	1-36
Downloading and Burning the Recovery ISO Image to DVD	1-36
Installing Recovery Image	1-36
Recovering a Lost Admin Password	1-37
System Time Zones	A-1
Safety Considerations and Translated Safety Warnings	B-1
Safety Considerations	B-2
Warning Definition	B-2
More Than One Power Supply	B-5
Installation Instructions	B-7
Ground Conductor Warning	B-9
Chassis Warning for Rack-Mounting and Servicing	B-11
Equipment Installation Warning	B-20
Battery Handling	B-23
Product Disposal	B-25

Power Cable and AC Adapter **B-27**

Regulatory Information C-1

FCC Statement for Cisco Prime Network Control System Appliance **C-1**

Declaration of Conformity with Regard to the EU Directive 1999/5/EC (R&TTE Directive) **C-1**

Statement 191—VCCI Class A Warning for Japan **C-2**



Preface

About This Guide

This guide provides step-by-step instructions on how to physically install and power on the Cisco Prime Network Control System (NCS) appliance.

Details on running the automatic installation script and the required information for that installation script are also provided.

After installation and power on is complete, refer to the following documents for additional information on the Cisco Prime Network Control System appliance:

- For detailed software configuration information, refer to the *Cisco Prime Network Control System Configuration Guide*.
- For detailed feature support and compatibility information, refer to the *Release Notes for Cisco Prime Network Control System*.

These documents are available on Cisco.com.

To access the NCS documentation, perform the following steps:

-
- Step 1** Browse to <http://www.cisco.com>.
 - Step 2** Click **Support**. A new window appears.
 - Step 3** Click **Wireless** under Find Product Support. The Select Your Product or Technology page appears.
 - Step 4** Enter **NCS** in the Find field and click **Find**.
 - Step 5** Click the **Cisco Prime Network Control System Series Appliances** link. The Cisco Prime Network Control System Introduction page appears.
 - Step 6** Choose the appropriate link for the documentation you want to view or download.
-

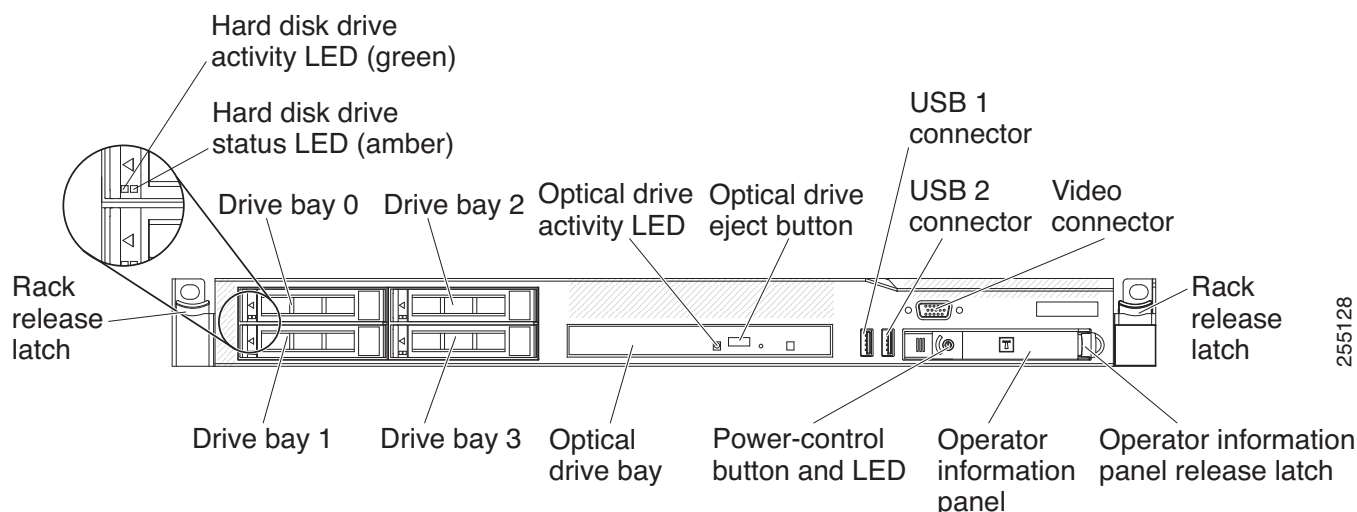
Cisco Prime Network Control System Appliance

The *Cisco Prime Network Control System Appliance Getting Started Guide* contains information and instructions for setting up your Cisco Prime Network Control System appliance and instructions for cabling and configuring the Network Control System (NCS) appliance.

The Cisco Prime Network Control System appliance uses light path diagnostics technology, which provides LEDs to help you diagnose problems. For more information about the light path diagnostics, see [Light Path Diagnostics Panel](#), page 18.

For additional diagnostics and troubleshooting information, see the diagnostics and troubleshooting tables ([Table 1-3 on page 20](#) and [Table 1-4 on page 25](#)).

Figure 1 Cisco Prime Network Control System Appliance



General Warnings, Regulatory and Safety

Conventions

Safety warnings appear throughout this guide in procedures that may harm you if performed incorrectly. A warning symbol precedes each warning statement. Specific warnings are included in the sections to which they apply.



Warning

This warning symbol means danger. You are in a situation that could cause bodily injury. Before you work on any equipment, be aware of the hazards involved with electrical circuitry and be familiar with standard practices for preventing accidents. Use the statement number provided at the end of each warning to locate its translation in the translated safety warnings that accompanied this device. Statement 1071

SAVE THESE INSTRUCTIONS



Caution

Means reader be careful. In this situation, you might do something that could result in equipment damage or loss of data.

Warnings

The following warnings are general warnings that are applicable to the entire guide. Specific warnings are included in the sections to which they apply.



There is the danger of explosion if the battery is replaced incorrectly. Replace the battery only with the same or equivalent type recommended by the manufacturer. Dispose of used batteries according to the manufacturer's instructions. Statement 1015



This equipment must be grounded. Never defeat the ground conductor or operate the equipment in the absence of a suitably installed ground conductor. Contact the appropriate electrical inspection authority or an electrician if you are uncertain that suitable grounding is available. Statement 1024



Read the installation instructions before connecting the system to the power source. Statement 1004



Only trained and qualified personnel should be allowed to install, replace, or service this equipment. Statement 1030



Ultimate disposal of this product should be handled according to all national laws and regulations. Statement 1040

Regulatory and Safety

**Note**

Refer to [Appendix B](#) for translated safety information for the Cisco Prime Network Control System appliance.

**Note**

Refer to [Appendix C](#) for regulatory compliance information for the Cisco Prime Network Control System appliance.



CHAPTER 1

Installation and Initial Configuration

This chapter describes how to initially install and configure your Cisco Prime Network Control System (NCS) appliance.

This chapter contains the following sections:

- [Supported Hardware, page 1-2](#)
- [Required Tools and Information, page 1-3](#)
- [Hardware Specifications, page 1-4](#)
- [Choosing a Physical Location for the Cisco Prime Network Control System Appliance, page 1-5](#)
- [Unpacking the Cisco Prime Network Control System Appliance, page 1-8](#)
- [Mounting the Cisco Prime Network Control System Appliance in a Rack, page 1-9](#)
- [Front and Rear Panel, page 1-16](#)
- [Replacing a Failed Hot-Swap Hard Disk Drive, page 1-26](#)
- [Replacing a Hot-Swap AC Power Supply, page 1-27](#)
- [Connecting the Cables, page 1-29](#)
- [Connecting and Using the CLI Console, page 1-30](#)
- [Powering On the Cisco Prime Network Control System Appliance, page 1-30](#)
- [Configuring the Cisco Prime Network Control System Appliance, page 1-31](#)
- [Logging in to the NCS Appliance, page 1-33](#)
- [Exporting Data from the Cisco Wireless Controller System, page 1-34](#)
- [Importing WCS data to the Cisco Prime Network Control System, page 1-34](#)
- [Configuring an NTP Server, page 1-34](#)
- [Verifying the Cisco Prime Network Control System Appliance Software State, page 1-35](#)
- [Manually Stopping Cisco Prime Network Control System Appliance Software, page 1-35](#)
- [Emergency Recovery, page 1-36](#)



Note

For configuration details beyond initial installation, refer to the *Cisco Prime Network Control System Configuration Guide* at the following URL:

http://www.cisco.com/en/US/products/ps11686/tsd_products_support_series_home.html

Supported Hardware

NCS software is packaged with your physical appliance, or can be downloaded as an image for installation, or can be downloaded as a software image to run as a virtual appliance on a customer-supplied server. The NCS virtual appliance can be deployed on any of the platforms listed in [Table 1-1](#).

Table 1-1 **Supported Hardware**

Hardware platform	Configuration
Cisco Prime NCS High-End Appliance (physical/virtual appliance)	<ul style="list-style-type: none"> • High End Virtual Appliance supports the same number of managed devices as a Physical Appliance (PRIME-NCS-APL-K9). • Supports up to 15000 Cisco Aironet lightweight access points, 5000 autonomous access points, 5000 switches and 1200 Cisco wireless LAN controllers. • Processors: 8, at 2.93 GHz or better. • Minimum RAM: 16 GB. • Minimum hard disk space allocation: 400 GB.
Cisco Prime NCS Standard Virtual Appliance	<ul style="list-style-type: none"> • Supports up to 7500 Cisco Aironet lightweight access points, 2500 autonomous access points, 2500 switches and 600 Cisco wireless LAN controllers. • Processors: 4, at 2.93 GHz or better. • Minimum RAM: 12 GB. • Minimum hard disk space allocation: 300 GB.
Cisco Prime NCS Low-End Virtual Appliance	<ul style="list-style-type: none"> • Supports up to 3000 Cisco Aironet lightweight access points, 1000 autonomous access points, 1000 switches and 240 Cisco wireless LAN controllers. • Processors: 2, at 2.93 GHz or better. • Minimum RAM: 8 GB. • Minimum hard disk space allocation: 200 GB.
VMware ESX and ESXi Versions (Virtual Appliance on a Customer-Supplied Server)	<ul style="list-style-type: none"> • If deploying NCS as a virtual appliance on a customer-supplied server, one of the following versions of VMware ESX or ESXi may be used: <ul style="list-style-type: none"> – VMware ESX or VMware ESXi version 4.0 – VMware ESX or VMware ESXi version 4.1 – VMware ESXi version 5.0

Required Tools and Information

This section lists the required hardware and other information that you need to install and setup the NCS appliance.

Required Hardware

You need the following equipment to install an NCS appliance in an Electronics Industries Alliance (EIA) rack:

- A Cisco Prime Network Control System appliance
- Network cables
- One rack unit (RU) free space in an EIA-standard rack
- Rack mounting kit (included with the Cisco Prime Network Control System appliance shipment)
- A serial console cable



Note If you are installing this unit in a threaded-hole rack, you must supply screws that fit the threaded-hole rack and the appropriate screwdriver or Torx driver for those screws.

CLI Console Requirements

You need an ANSI or VT-100 terminal emulator application on a laptop, desktop, or palmtop to connect to the NCS appliance console.

System Configuration Parameters

Obtain the following parameters from your network administrator:

- A hostname for the NCS appliance
- An IP address for the NCS appliance
- A default net mask for the IP address
- An IP address for the default gateway
- A default DNS domain
- An IP address for the primary name server
- A primary NTP server

Hardware Specifications

Table 1-2 lists the hardware specifications of the NCS appliance.

Table 1-2 NCS Appliance Hardware Specifications

Size	<ul style="list-style-type: none"> • 1RU • Height: 43 mm (1.7 inches) • Depth: 711 mm (28.0 inches) • Width: 440 mm (17.3 inches) • Weight: approximately 14 kg
Power Supply	<ul style="list-style-type: none"> • Two 675 w high efficiency, hot-swappable power supplies • 6 redundant cooling fans with two motors per fan
CPU/Memory/Network	<ul style="list-style-type: none"> • CPU: 2 x Intel Xeon Processor (2.4-GHz 12-MB Cache) • Memory: 16-GB (1x2-GB, 2Rx8) PC3-10600 CL9 ECC DDR3 • Network Interface Cards: 2 x 10/100/1000 Gigabit
Hard Disk and RAID	<ul style="list-style-type: none"> • RAID-5 • 4 x 300G SAS Disks - Hot swappable • LSI MegaRAID High performance RAID Controller with 512-MB On-board Cache
Air temperature	<ul style="list-style-type: none"> • Server on: 10°C to 35°C (50°F to 95°F); altitude: 0 to 914.4 m (3000 ft), decrease system temperature by 1.0°C for every 1000-foot increase in altitude • Server off: 5°C to 45°C (41°F to 113°F); maximum altitude: 3048 m (10000 ft) • Shipment: -40°C to 60°C (-40°F to 140°F); maximum altitude: 3048 m (10000 ft)
Humidity	<ul style="list-style-type: none"> • Server on: 20% to 80%; • Maximum dew point: 21°C; • Maximum rate of change: 5 °C/hr Server off: 8% to 80%;
Power	<ul style="list-style-type: none"> • Voltage: 100 VAC to 120 VAC and 200 VAC to 240 VAC • Power: System Rating 780 W • BTU/HR: System Rating 2661 BTU/hr • Peak Inrush Current (4 ms): 60 A
pMTBF goal	130,000
Predicted MTBF	142,577 hrs
Predicted monthly failure rate	0.511%
Annual predicted failure rate	5.963%
Predicted RMA rate	5,110 PPM

Choosing a Physical Location for the Cisco Prime Network Control System Appliance

For maximum safety and reliability, mount the NCS appliance using the following guidelines.

General Precautions

To reduce the risk of personal injury or damage to the NCS appliance, observe the following precautions:

- Place the product away from radiators, heat registers, stoves, amplifiers, or other products that produce heat.
- Never use the product in a wet location.
- Avoid inserting foreign objects through openings in the product.
- To reduce risk of injury from electric shock hazards, do not open the product enclosure.

Laser Devices

Laser devices are used within the DVD of the NCS appliance. The DVD has no defined use at the customer site.

To reduce the risk of exposure to hazardous radiation, observe the following precautions:

- Do not try to open the laser device enclosure. There are no user-serviceable components inside.
- Do not operate controls, make adjustments, or perform procedures to the laser device other than those specified herein.
- Allow only Cisco authorized service technicians to repair the laser device.

Space and Airflow Requirements

Install the NCS appliance in an EIA-standard rack. One rack unit is required for each NCS appliance.

Ensure that you can reach the NCS appliance and all cables.

- Ensure that the NCS appliance is within 328 ft (100 m) equivalent distance from any equipment connected to the 10/100/1000BASE-T ports.
- Ensure that the power cord can reach a 110 or 220 VAC grounded electrical outlet.

Ensure that there is sufficient room at the back of the NCS appliance for all cables and connectors.

- Leave a minimum clearance of 63.5 cm (25 in.) in front of the rack.
- Leave a minimum clearance of 76.2 cm (30 in.) behind the rack.
- Leave a minimum clearance of 121.9 cm (48 in.) from the back of the rack to the back of another rack or row of racks.



Caution

To prevent improper cooling and damage to the equipment, do not block the ventilation openings.

**Caution**

Always use blanking panels to fill empty vertical spaces in the rack. This arrangement ensures proper airflow. Using a rack without blanking panels results in improper cooling that can lead to thermal damage.

**Caution**

When selecting a rack to use, observe the following additional requirements to ensure adequate airflow and to prevent damage to the equipment: (1) Front and rear doors—If the 42U rack includes closing front and rear doors, you must allow 5,350 sq. cm (830 sq. in.) of holes evenly distributed from top to bottom to permit adequate airflow (equivalent to the required 64 percent open area for ventilation). (2) Side—The clearance between the installed rack component and the side panels of the rack must be a minimum of 7 cm (2.75 in.).

Temperature Requirements

To ensure continued safe and reliable equipment operation, install or position the system in a well ventilated, climate-controlled environment.

Ensure that the ambient operating temperature remains between 10 and 35° C (50 and 95° F), taking into account the elevated temperatures that occur when equipment is installed in a rack.

**Caution**

To reduce the risk of damage to the equipment when installing third-party options: (1) Do not permit optional equipment to impede airflow around the NCS appliance or to increase the internal rack temperature beyond the maximum allowable limits. (2) Do not exceed the manufacturer's maximum recommended ambient temperature (TMRA).

Power Requirements

Installation of this equipment must comply with local and regional electrical regulations governing the installation of information technology equipment by licensed electricians. This equipment is designed to operate in installations covered by NFPA 70, 1999 Edition (National Electric Code) and NFPA 75, 1992 (code for Protection of Electronic Computer/Data Processing Equipment). For electrical power ratings on options, refer to the product rating label or the user documentation supplied with that option.

**Caution**

Protect the NCS appliance from power fluctuations and temporary interruptions with a regulating uninterruptible power supply (UPS). This device protects the hardware from damage caused by power surges and voltage spikes and keeps the system in operation during a power failure.

Power Supplies on the Cisco Prime Network Control System Appliance

The NCS appliance has two power supplies.

**Warning**

This unit might have more than one power supply connection. All connections must be removed to de-energize the unit. Statement 1028

**Caution**

Verify that the external power source connected to the NCS appliance matches the type of power source indicated on the electrical ratings label. If you are not sure of the type of power source required, consult your Cisco authorized reseller or local power company.

Batteries

The NCS appliance might include a real-time clock battery or coin cell battery that might contain perchlorate and might require special handling when recycled or disposed of in California.

Refer to the following link for disposal information.

<http://www.dtsc.ca.gov/hazardouswaste/perchlorate>

**Caution**

Do not dispose of batteries with the general household waste. Recycle them using the public collection system.

Electrical Grounding Requirements

The NCS appliance must be grounded properly for proper operation and safety. In the United States, you must install the equipment in accordance with NFPA 70, 1999 Edition (National Electric Code), Article 250, as well as any local and regional building codes. In Canada, you must install the equipment in accordance with Canadian Standards Association, CSA C22.1, Canadian Electrical Code. In all other countries, you must install the equipment in accordance with any regional or national electrical wiring codes, such as the International Electrotechnical Commission (IEC) Code 364, parts 1 through 7.

Furthermore, you must verify that all power distribution devices used in the installation, such as branch wiring and receptacles, are listed or certified grounding-type devices. Because of the high ground-leakage currents associated with multiple systems connected to the same power source, Cisco recommends the use of a PDU that is either permanently wired to the building's branch circuit or includes a nondetachable cord that is wired to an industrial-style plug. NEMA locking-style plugs or those complying with IEC 60309 are considered suitable for this purpose. Using common power outlet strips for the NCS appliance is not recommended.

Rack Warnings



Warning

To prevent bodily injury when mounting or servicing this unit in a rack, you must take special precautions to ensure that the system remains stable. The following guidelines are provided to ensure your safety: (1) This unit should be mounted at the bottom of the rack if it is the only unit in the rack. (2) When mounting this unit in a partially filled rack, load the rack from the bottom to the top with the heaviest component at the bottom of the rack. (3) If the rack is provided with stabilizing devices, install the stabilizers before mounting or servicing the unit in the rack. Statement 1006.



Caution

To reduce the risk of personal injury or equipment damage when unloading a rack, at least two people are needed to safely unload the rack from the pallet.



Caution

To prevent damage, ensure that water or excessive moisture cannot get into the NCS appliance.

Unpacking the Cisco Prime Network Control System Appliance

Follow these steps to unpack the NCS appliance.

-
- Step 1** Open the shipping container and carefully remove the contents.
 - Step 2** Return all packing materials to the shipping container and save it.
 - Step 3** Ensure that all items listed in the “[Package Contents](#)” section are included in the shipment.
 - Step 4** Check each item for damage. If any item is damaged or missing, notify your authorized Cisco sales representative.
-

Package Contents

Each Cisco Prime Network Control System appliance package contains the following items:

- One Cisco Prime Network Control System appliance
- One rack mount kit
- Two power cords

Mounting the Cisco Prime Network Control System Appliance in a Rack

**Warning**

Only trained and qualified personnel should be allowed to install, replace, or service this equipment. Statement 1030

**Caution**

The NCS appliance is heavy (35 lbs, 15.9 kgs).

To reduce the risk of personal injury or damage to the equipment:

- Observe local occupational health and safety requirements and guidelines for manual material handling.
- Getting help to lift and stabilize the NCS appliance during installation or removal is recommended, especially when the system is not fastened to the rails.
- Use caution when installing the NCS appliance in or removing it from the rack; it is unstable when not fastened to the rails.
- Always plan the rack installation so that the heaviest item is on the bottom of the rack. Install the heaviest item first and continue to populate the rack from the bottom to the top.

The NCS appliance comes with a universal rack mount kit that can be installed in a square-hole rack, round-hole rack, or a threaded-hole rack. You can order replacement universal rack mount kits from Cisco. The replacement part PID is AIR-SRVR-URMK=.

**Note**

You must provide the threaded-hole screws to secure the mounting rails to the rack. Threaded-hole screws are not shipped with the system.

Installing the Cisco Prime Network Control System Appliance in the Rack Cabinet Using the Universal Rack Mount Kit

Review the documentation that comes with the rack cabinet for safety and cabling information. Before you install the NCS appliance in a rack cabinet, review the following guidelines:

- Make sure that the room air temperature is below 35° C (95° F).
- Do not block any air vents; usually 15 cm (6 in.) of space provides proper airflow.
- Do not leave open spaces above or below an installed NCS appliance in your rack cabinet. To help prevent damage to NCS appliance components, always install a blank filler panel to cover the open space and to help ensure proper air circulation.
- Install the NCS appliance only in a rack cabinet with perforated doors.
- Plan the device installation starting from the bottom of the rack cabinet.
- Install the heaviest device in the bottom of the rack cabinet.
- Do not extend more than one device out of the rack cabinet at the same time.
- Remove the rack doors and side panels to provide easier access during installation.

- Connect the NCS appliance to a properly grounded outlet.
- Do not overload the power outlet when you install multiple devices in the rack cabinet.
- Install the NCS appliance in a rack that meets the following requirement:
 - Minimum depth of 70 mm (2.76 in.) between the front mounting flange and inside of the front door.

**Caution**

Use safe practices when lifting.



≥ 18 kg (39.7 lb.)



≥ 32 kg (70.5 lb.)



≥ 55 kg (121.2 lb.)

**Caution**

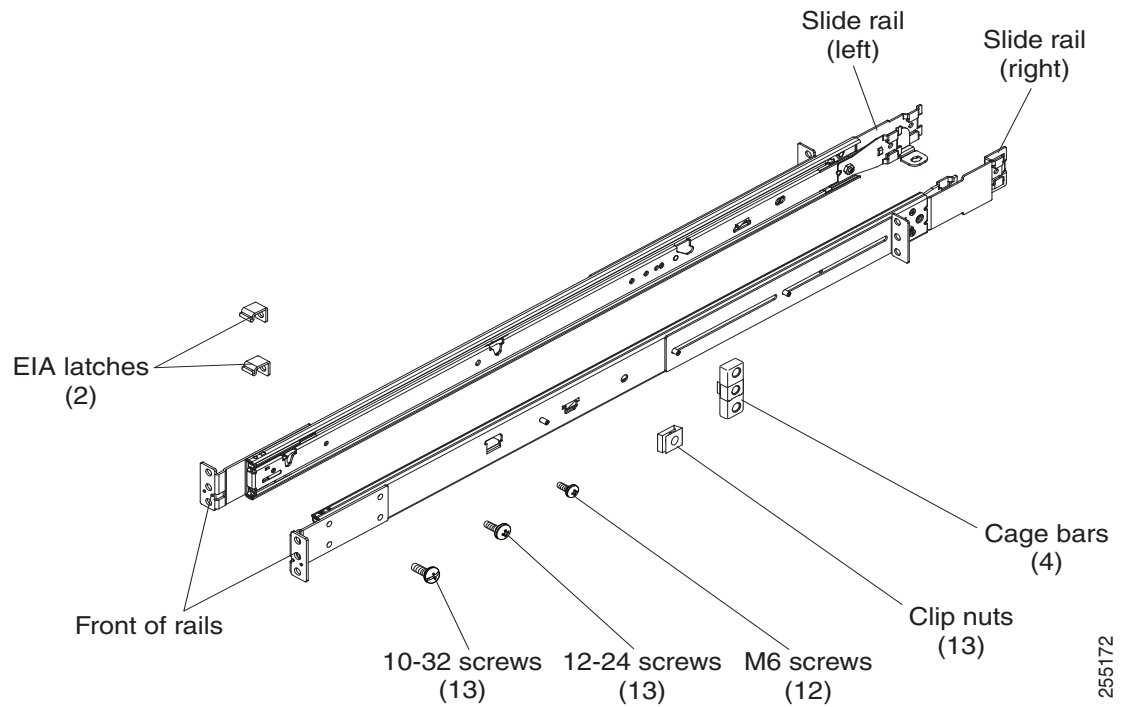
Do not place any object on top of rack-mounted devices.



The following illustration shows the items that you need to install the NCS appliance in the rack cabinet. If any items are missing or damaged, contact your place of purchase.

**Note**

Some items come with the NCS appliance, not in the rack installation kit.

**Note**

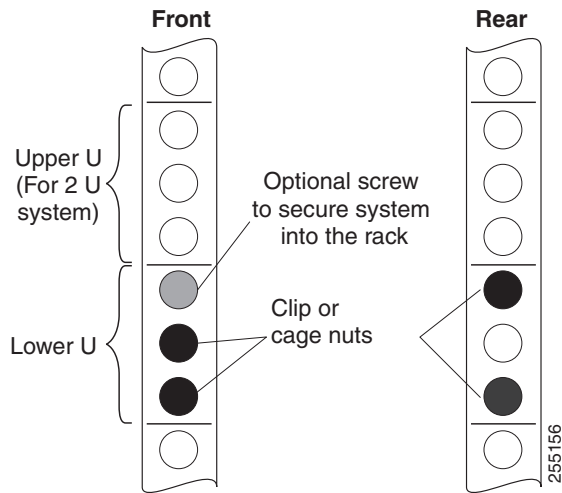
Use cage bars with square-holed racks, clip nuts with round-holed racks, and your own screws or the screws provided in this kit with threaded-hole racks.

**Note**

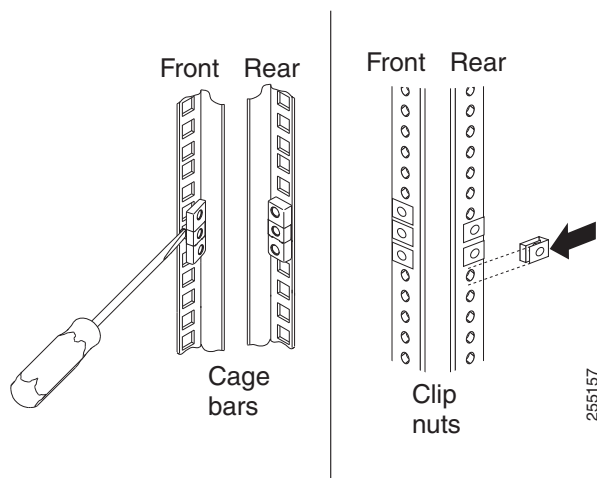
If the slide rails in your rack installation kit came with shipping thumbscrews, remove them before you begin the following installation procedure.

Step 1

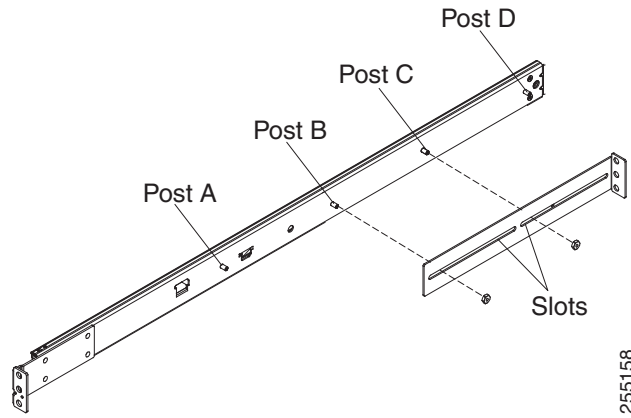
Select an available 1 U space in your rack to install your NCS appliance. If you have either a round-holed or square-holed rack, install cage bars or clip nuts in the middle and the bottom (optional for the upper) holes of the lower U on each side of the front of the rack. Then, install cage bars or clip nuts in the upper and the bottom holes of the lower U on each side of the rear of the rack.



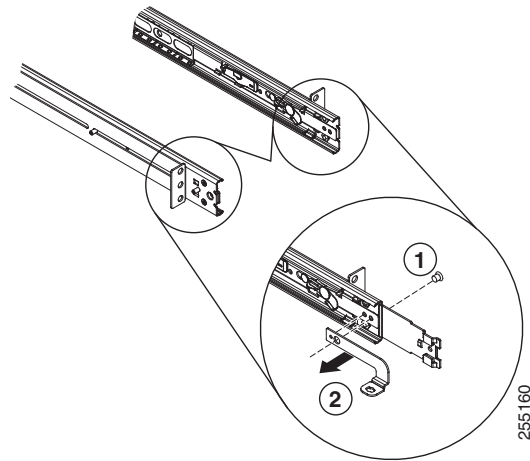
- Step 2** Use a screwdriver to install the cage bars or the clip nuts on the inside of the mounting rail, as required for your rack, into the selected holes.



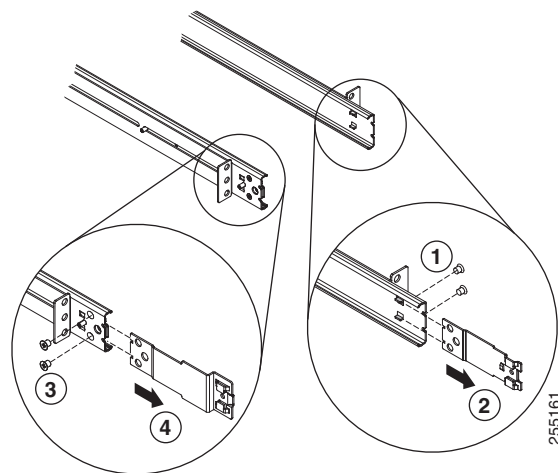
- Step 3** The rail depth can be adjusted from 17 in (432 mm) to 31.25 in (794 mm). To adjust the depth, you can loosen the nuts on the posts and slide the bracket until the distance between the front and rear slide rail flanges matches the distance between the front and rear EIA rails of the rack cabinet. If you need further adjustment, remove the nuts, move the bracket to the appropriate set of posts (A, B, C, and D) to obtain the appropriate slide rail depth, then reinstall and tighten the nuts.



Step 4 To remove the support bracket, remove the screw (1) and remove the bracket (2) from the rear of the slide rail.



Step 5 To remove the mounting brackets, remove the screws (1) and (3). Slide out the brackets (2) and (4) from the rear of the slide rail.



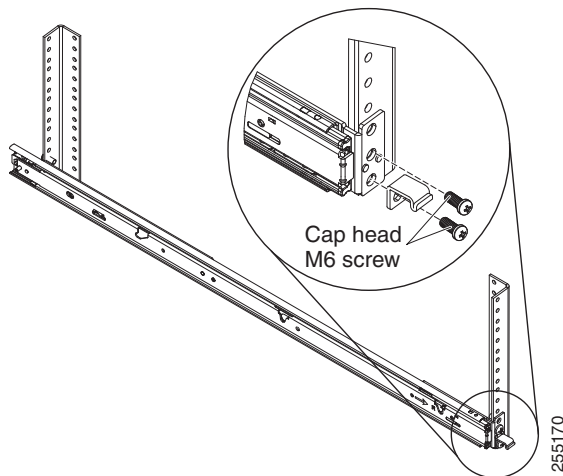
- Step 6** Attach the front of the slide rail and EIA latch to the front of the rack cabinet by installing a screw in the bottom hole of the lower U; then, install another screw in the middle hole of the lower U to attach the front of the slide rail to the front of the rack cabinet.



Note When you fasten the slides to the rack, ensure the screws are engaged but the flange can move slightly. You will use a screwdriver to fully tighten them in [Step 9](#).

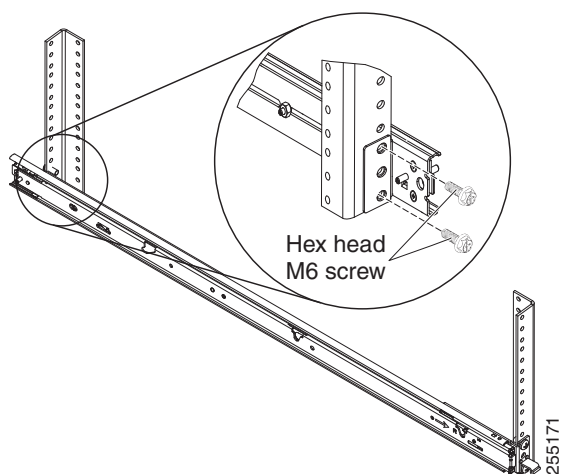


Note Use 12-24 screws (not hex head M6 screws) on the front mounting bracket if you are installing this system into a rack with round or square holes (not threaded holes).

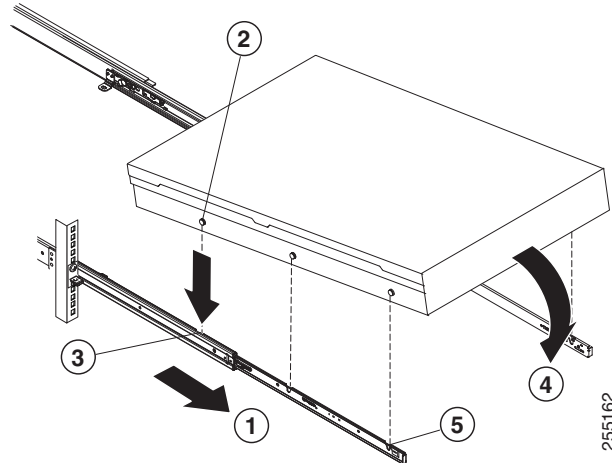


- Step 7** Use two screws to attach the rear of the slide rail to the rear of the rack cabinet in the upper and the bottom holes of the lower U.

Repeat [Step 3](#) through [Step 7](#) to install the other slide rail into the rack.

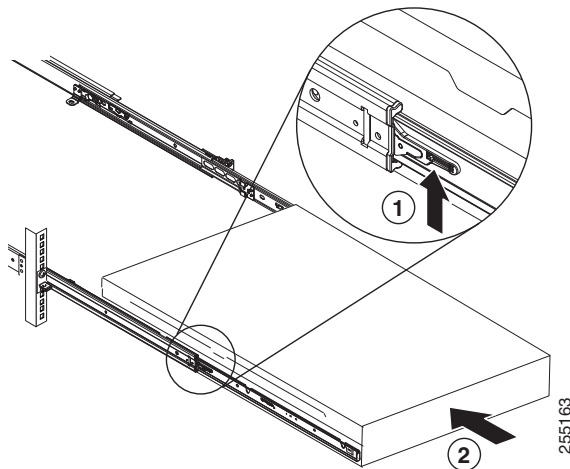


- Step 8** Pull the slide rails forward (1) until they click, two times, into place. Carefully lift the NCS appliance and tilt it into position over the slide rails so that the rear nail heads (2) on the NCS appliance line up with the rear slots (3) on the slide rails. Slide the NCS appliance down until the rear nail heads slip into the two rear slots, and then slowly lower the front of the NCS appliance (4) until the other nail heads slip into the other slots on the slide rails. Make sure that the front latch (5) slides over the nail heads.



- Step 9** Lift the locking levers (1) on the slide rails and push the NCS appliance (2) all the way into the rack until it clicks into place.

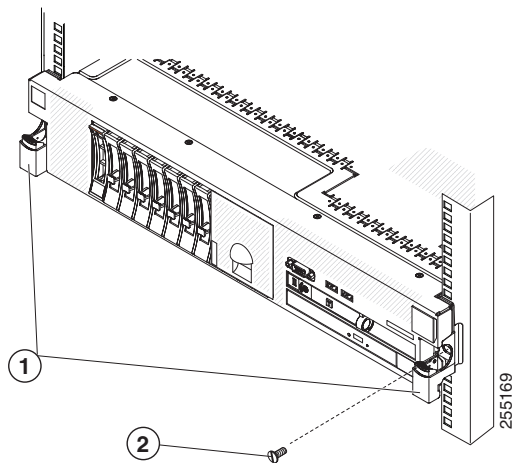
Slide the system in and out twice to make sure the system slides correctly. Push the system inwards to the rack as close as possible but able to access the screws with a screwdriver. Then tighten the screws with a screwdriver.



- Step 10** Slide the NCS appliance into the rack until it snaps into place. To slide the NCS appliance out of the rack, press on the release latches (1).



Note When you move the rack cabinet, or if you install the rack cabinet in a vibration-prone area, insert the optional M6 screws (2) in the front of the NCS appliance.



To remove the NCS appliance from the rack, reverse these instructions. Store this information with your NCS appliance documentation for future use.

Front and Rear Panel

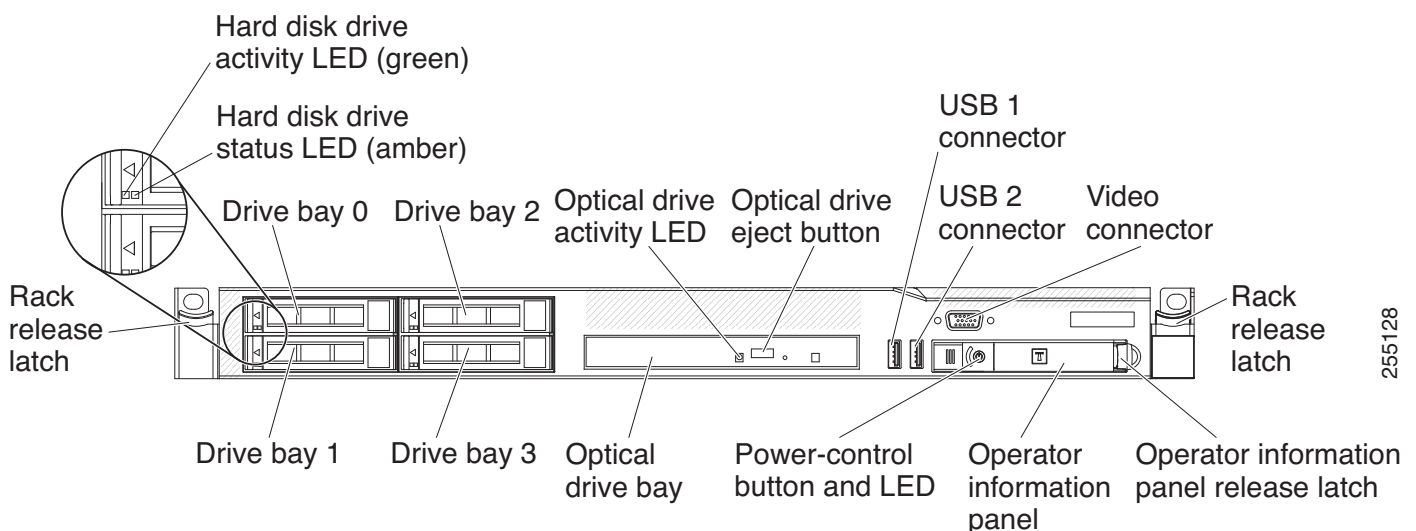
This section describes the controls and light-emitting diodes (LEDs) and how to turn the Cisco Prime Network Control System appliance on and off.

Front Panel

Figure 1-1 shows the controls, LEDs, and connectors the front panel of the Cisco Prime Network Control System appliance.

Figure 1-2 shows a detailed view of the operator information panel.

Figure 1-1 Cisco Prime Network Control System Appliance Front Panel



Front Panel Components

- **Rack release latches:** Press the latches on each front side of the NCS appliance to remove it from the rack.
- **Hard disk drive status LEDs:** This LED is used to indicate the status of the SAS hard disk drives. When this LED is lit, it indicates that the drive has failed. When this LED is flashing slowly (one flash per second), it indicates that the drive is being rebuilt. When the LED is flashing rapidly (three flashes per second), it indicates that the controller is identifying the drive.
- **Hard disk drive activity LEDs:** Each hot-swap hard disk drive has an activity LED, and when this LED is flashing, it indicates that the drive is in use.
- **Optical drive eject button:** Press this button to release a DVD or CD from the DVD drive.
- **Optical drive activity LED:** When this LED is lit, it indicates that the DVD drive is in use.
- **Operator information panel:** This panel contains controls and LEDs that provide information about the status of the NCS appliance. For information about the controls and LEDs on the operator information panel, see [Operator Information Panel, page 1-17](#).
- **Operator information panel release latch:** Slide the blue release latch to the left to pull out the light path diagnostics panel and view the light path diagnostics LEDs and buttons. See [Light Path Diagnostics Panel, page 1-18](#) for more information about the light path diagnostics.
- **Video connector:** Connect a monitor to this connector. The video connectors on the front and rear of the NCS appliance can be used simultaneously.



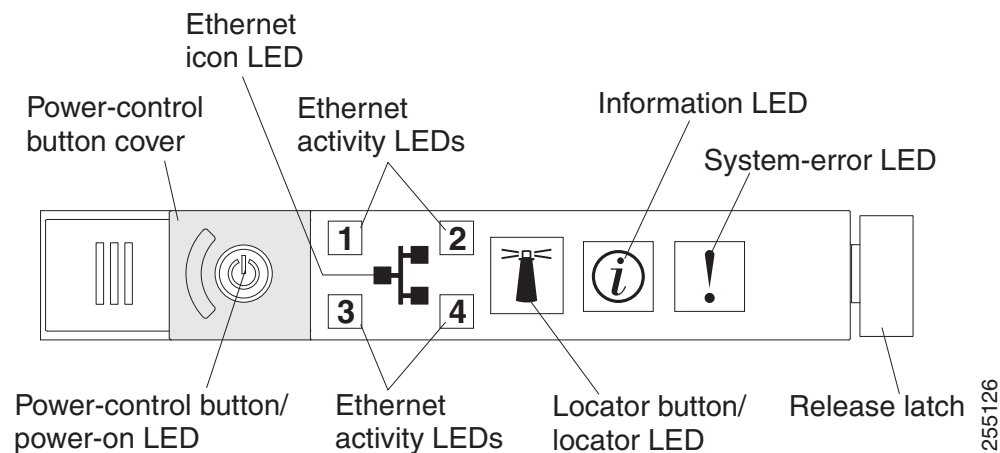
Note The maximum video resolution is 1600 x 1200 at 75 Hz.

- **USB connectors:** Connect a USB device, such as a USB mouse or keyboard, to any of these connectors.

Operator Information Panel

Figure 1-2 shows a detailed view of the controls and LEDs on the operator information panel.

Figure 1-2 Close Up of Cisco Prime Network Control System Appliance Operator Information Panel



Operator Information Panel Components

- **Power-control button and power-on LED:** Press this button to turn the NCS appliance on and off manually or to wake it from a reduced-power state. The states of the power-on LED are as follows:
 - **Off:** Power is not present, or the power supply or the LED itself has failed.
 - **Flashing rapidly (4 times per second):** The NCS appliance is turned off and is not ready to be turned on. The power-control button is disabled. This will last approximately 20 to 40 seconds.
 - **Flashing slowly (once per second):** The NCS appliance is turned off and is ready to be turned on. You can press the power-control button to turn on the NCS appliance.
 - **Lit:** The NCS appliance is turned on.
 - **Fading on and off:** The NCS appliance is in a reduced-power state. To wake the NCS appliance, press the power-control button.
- **Ethernet activity LEDs:** When any of these LEDs is lit, they indicate that the NCS appliance is transmitting to or receiving signals from the Ethernet LAN that is connected to the Ethernet port that corresponds to that LED.
- **System-locator button/LED:** Use this blue LED to visually locate the NCS appliance among other servers. This LED is also used as a presence detection button. When you press the System-locator button, the LED will blink and it will continue to blink until you press it again to turn it off.
- **System-information LED:** When this amber LED is lit, it indicates that a noncritical event has occurred.
- **System-error LED:** When this amber LED is lit, it indicates that a system error has occurred. A system-error LED is also on the rear of the NCS appliance. An LED on the light path diagnostics panel on the operator information panel is also lit to help isolate the error.

Light Path Diagnostics Panel

The light path diagnostics panel is on the top of the operator information panel, as shown in [Figure 1-3](#). For additional information about the LEDs on the light path diagnostics panel, see [Table 1-3](#).

To access the light path diagnostics panel, slide the blue release button on the operator information panel to the left. Pull forward on the unit until the hinge of the operator panel is free of the chassis. Then pull down on the unit, so that you can view the light path diagnostics panel information.



Note

When you slide the light path diagnostics panel out of the NCS appliance to check the LEDs or checkpoint codes, do not run the NCS appliance continuously with the light path diagnostics panel outside of the NCS appliance. The panel should only be outside of the NCS appliance a short time. The light path diagnostics panel must remain in the NCS appliance when it is running to ensure proper cooling.

Figure 1-3 *Light Path Diagnostics Panel*

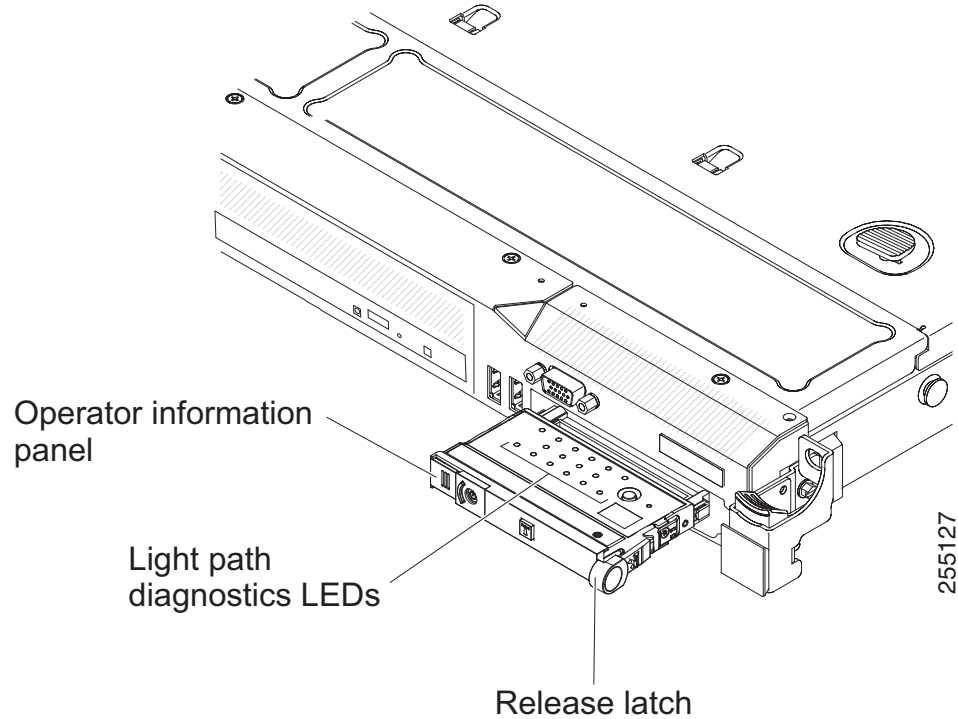
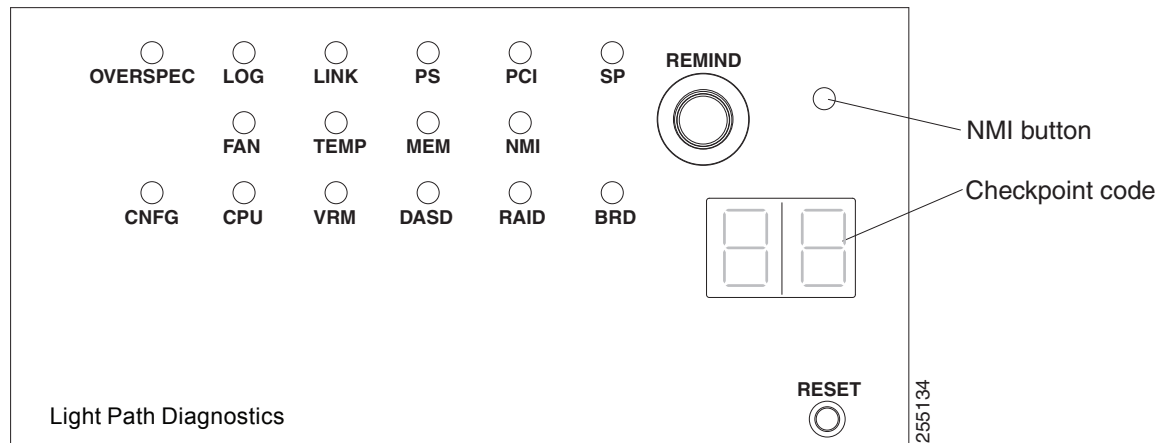


Figure 1-4 shows the LEDs and controls on the light path diagnostics panel.

Figure 1-4 *Light Path Diagnostics Panel Components*



Light Path Diagnostics Panel Components

- **Remind button:** This button places the system-error LED on the front panel into Remind mode. In Remind mode, the system-error LED flashes once every 2 seconds until the problem is corrected, the NCS appliance is restarted, or a new problem occurs.

By placing the system-error LED indicator in Remind mode, you acknowledge that you are aware of the last failure but will not take immediate action to correct the problem.

- **NMI button:** This button is used to force a nonmaskable interrupt to the microprocessor. This button is not currently used by the Cisco Prime Network Control System appliance. Press this button only when directed by the Cisco TAC personnel.
- **Checkpoint code display:** This display provides a checkpoint code that indicates the point at which the system stopped during the boot block and POST. A checkpoint code is either a byte or a word value that is produced by UEFI. The display does not provide error codes or suggest components to be replaced.
- **Reset button:** Press this button to reset the NCS appliance and run the power-on self-test (POST). You might have to use a pen or the end of a straightened paper clip to press the button. The Reset button is in the lower-right corner of the light path diagnostics panel.

Table 1-3 Light path diagnostics panel LEDs

Follow the suggested actions in the order in which they are listed in the Action column until the problem is solved.

LED	Description	Action
None, but the system error LED is lit.	An error occurred and cannot be isolated. The error is not represented by a path.	Contact Cisco TAC for assistance.
OVER SPEC	The power supplies are using more power than their maximum rating.	Contact Cisco TAC for assistance.
LOG	An error occurred.	Contact Cisco TAC for assistance.
LINK	Reserved.	–
PS	Power supply 1 or 2 has failed.	<ol style="list-style-type: none"> 1. Check the power supply that has a lit amber LED (see Power-supply LEDs, page 1-24). 2. Make sure that the power supplies are seated correctly. 3. Remove one of the power supplies to isolate the failed power supply. 4. Replace the failed power supply.
PCI	An error has occurred on a PCI bus or on the system board. An additional LED is lit next to a failing PCI slot.	Contact Cisco TAC for assistance.
SP	A service processor error has been detected.	<ol style="list-style-type: none"> 1. Shut down the system and remove the power cords from the NCS appliance; then, reconnect the NCS appliance to power and restart it. 2. If the problem does not go away, contact Cisco TAC for assistance.
FAN	A fan has failed, is operating too slowly, or has been removed. The TEMP LED might also be lit.	Contact Cisco TAC to replace your Cisco Prime Network Control System appliance and for further assistance.

Table 1-3 Light path diagnostics panel LEDs (continued)

Follow the suggested actions in the order in which they are listed in the Action column until the problem is solved.

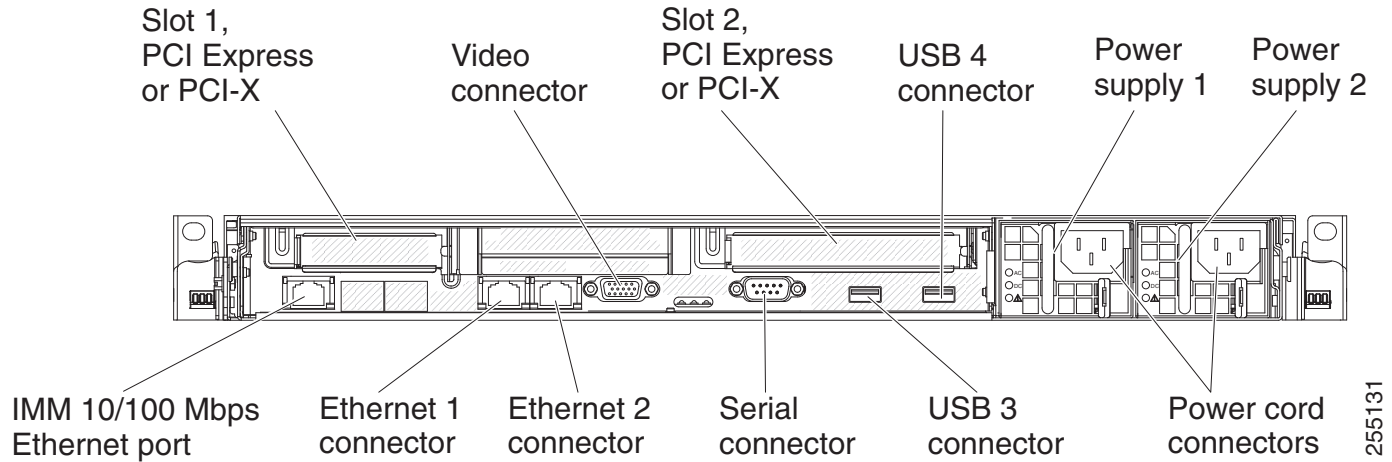
LED	Description	Action
TEMP	The system temperature has exceeded a threshold level. A failing fan can cause the TEMP LED to be lit.	Contact Cisco TAC for assistance.
MEM	When only the MEM LED is lit, a memory error has occurred. When both the MEM and CNFG LEDs are lit, the memory configuration is invalid or the PCI Option ROM is out of resource.	Contact Cisco TAC for assistance.
NMI	A nonmaskable interrupt has occurred, or the NMI button was pressed.	Check the system-error log for information about the error. Contact Cisco TAC if further assistance is needed.
CNFG	A hardware configuration error has occurred.	Contact Cisco TAC for assistance.
CPU	An invalid microprocessor configuration or a microprocessor has failed (both the CPU LED and the CNFG LED might be lit).	Contact Cisco TAC for assistance.
VRM	Reserved.	–
DASD	A hard disk drive has failed or is missing.	<ol style="list-style-type: none"> 1. Check the LEDs on the hard disk drives for the drive with a lit status LED and reseal the hard disk drive. 2. If reseating the drive does not resolve the issue, then the failed hard disk drive must be replaced. Contact Cisco TAC for assistance.
RAID	Reserved.	–
BRD	An error has occurred on the system board.	Contact Cisco TAC for assistance.

Rear Panel

Figure 1-5 shows details of the rear panel for the Cisco Prime Network Control System appliance.

Figure 1-6 shows the Cisco Prime Network Control System appliance back panel LEDs.

Figure 1-5 Cisco Prime Network Control System Appliance Rear Panel



Rear Panel Components

- **PCI slot 1:** Cisco Prime Network Control System does not use this slot.
- **PCI slot 2:** Cisco Prime Network Control System does not use this slot.
- **Power cord connectors:** Connect the power cords to these connectors.



Note

Power supply 1 is the default/primary power supply. If power supply 1 fails, you must replace it immediately.

- **Video connector:** Connect a monitor to this connector. The video connectors on the front and rear of the NCS appliance can be used simultaneously.



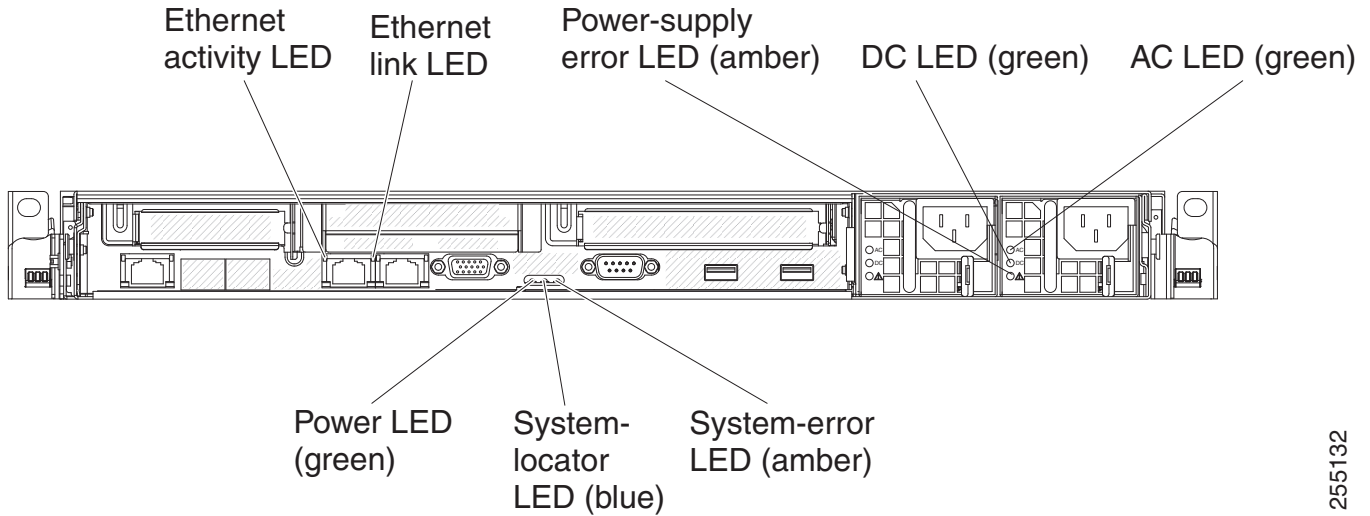
Note

The maximum video resolution is 1600 x 1200 at 75 Hz.

- **Serial connector:** Connect the serial console cable to this connector.
- **USB connectors:** Connect a USB device, such as a USB mouse or keyboard to any of these connectors.
- **IMM 10/100 Mbps Ethernet port:** For use in a future release.
- **Ethernet connectors:** Use Ethernet 1 to connect the NCS appliance to a network.

Figure 1-6 shows the LEDs on the rear of the NCS appliance.

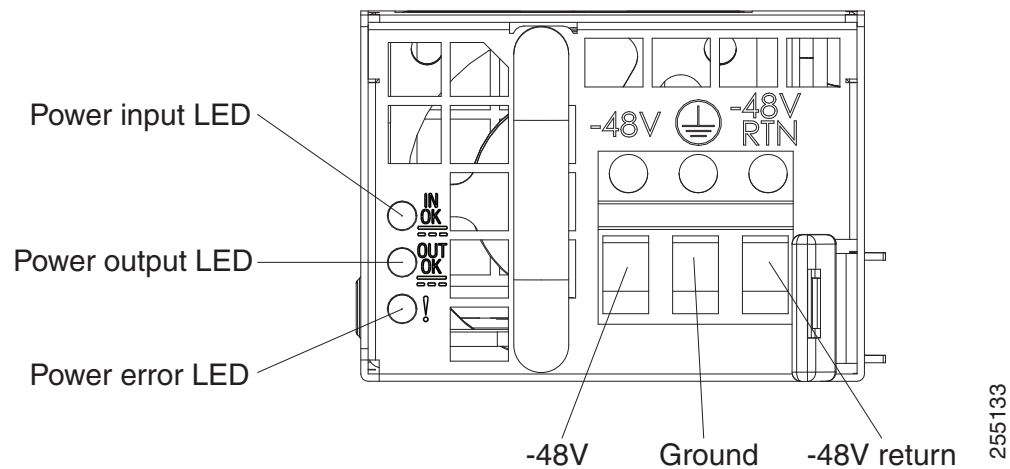
Figure 1-6 Cisco Prime Network Control System Appliance Rear Panel LEDs



255132

Figure 1-7 shows a detailed view of the LEDs on a DC power supply.

Figure 1-7 Close Up of Cisco Prime Network Control System Appliance DC Power Supply LEDs



255133

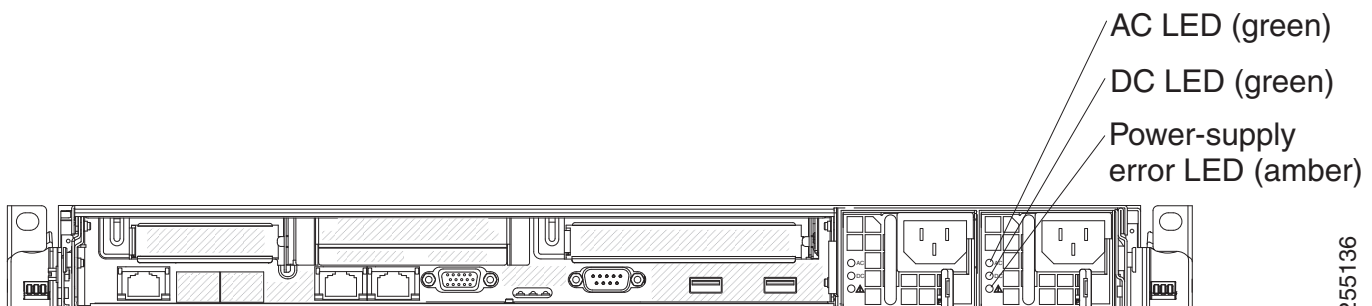
- **Ethernet activity LEDs:** When these LEDs are lit, they indicate that the NCS appliance is transmitting to or receiving signals from the Ethernet LAN that is connected to the Ethernet port.
- **Ethernet link LEDs:** When these LEDs are lit, they indicate that there is an active link connection on the 10BASE-T, 100BASE-TX, or 1000BASE-TX interface for the Ethernet port.
- **AC power LED:** Each hot-swap power supply has an AC power LED and a DC power LED. When the AC power LED is lit, it indicates that sufficient power is coming into the power supply through the power cord. During typical operation, both the AC and DC power LEDs are lit.
- **IN OK power LED:** Each hot-swap DC power supply has an IN OK power LED and an OUT OK power LED. When the IN OK power LED is lit, it indicates that sufficient power is coming into the power supply through the power cord. During typical operation, both the IN OK and OUT OK power LEDs are lit.

- **DC power LED:** Each hot-swap power supply has a DC power LED and an AC power LED. When the DC power LED is lit, it indicates that the power supply is supplying adequate DC power to the system. During typical operation, both the AC and DC power LEDs are lit.
- **OUT OK power LED:** Each hot-swap DC power supply has an IN OK power LED and an OUT OK power LED. When the OUT OK power LED is lit, it indicates that the power supply is supplying adequate dc power to the system. During typical operation, both the IN OK and OUT OK power LEDs are lit.
- **System-error LED:** When this LED is lit, it indicates that a system error has occurred. An LED on the light path diagnostics panel is also lit to help isolate the error.
- **Power-on LED:** When this LED is lit and not flashing, it indicates that the NCS appliance is turned on. The states of the power-on LED are as follows:
 - **Off:** Power is not present, or the power supply or the LED itself has failed.
 - **Flashing rapidly (4 times per second):** The NCS appliance is turned off and is not ready to be turned on. The power-control button is disabled. This will last approximately 20 to 40 seconds.
 - **Flashing slowly (once per second):** The NCS appliance is turned off and is ready to be turned on. You can press the power-control button to turn on the NCS appliance.
 - **Lit:** The NCS appliance is turned on.
 - **Fading on and off:** The NCS appliance is in a reduced-power state. To wake the NCS appliance, press the power-control button.
- **System-locator LED:** Use this LED to visually locate the NCS appliance among other servers. You can use the *Integrated Management Module User's Guide* to light this LED remotely.

Power-supply LEDs

Figure 1-8 shows the location of the power-supply LEDs on the rear of the Cisco Prime Network Control System appliance. See Table 1-4 for additional information about solving power-supply problems.

Figure 1-8 Location of Cisco Prime Network Control System Appliance Power Supply LEDs



255136

Table 1-4 describes the problems that are indicated by various combinations of the power-supply LEDs on an AC power supply and suggested actions to correct the detected problems.

Table 1-4 Cisco Prime Network Control System Appliance AC Power Supply Troubleshooting

AC power-supply LEDs			Description	Action	Notes
AC	DC	Error (!)			
On	On	Off	Normal operation	–	–
Off	Off	Off	No AC power to the NCS appliance or a problem with the AC power source.	<ol style="list-style-type: none"> 1. Check the AP power to the NCS appliance. 2. Make sure that the power cord is connected to a functioning power source. 3. Restart the NCS appliance. If the error remains, check the power supply LEDs. 4. Replace the power supply. 	This is a normal condition when no AC power is present.
Off	Off	On	No AC power to the NCS appliance or a problem with the AC power source and the power supply had detected an internal problem.	<ol style="list-style-type: none"> 1. Make sure that the power cord is connected to a functioning power source. 2. Replace the power supply. 	This happens only when a second power supply is providing power to the NCS appliance.
Off	On	Off	Faulty power supply	Replace the power supply.	–
Off	On	On	Faulty power supply	Replace the power supply.	–
On	Off	Off	Power supply not fully seated, faulty system board, or faulty power supply	<ol style="list-style-type: none"> 1. Reseat the power supply. 2. If this action does not resolve the problem, replace the power supply. If replacing the power supply does not resolve the issue, contact Cisco TAC for assistance. 	Typically indicates a power supply is not fully seated.
On	Off	On	Faulty power supply	Replace the power supply.	–
On	On	On	Power supply is faulty but still operational	Replace the power supply.	–

Cisco Prime Network Control System Appliance Power Features

Specific steps to power-on the Cisco Prime Network Control System appliance are provided in [Powering On the Cisco Prime Network Control System Appliance](#), page 1-30.

When the NCS appliance is connected to an AC power source but is not turned on, the operating system does not run, and all core logic except for the service processor (the Integrated Management Module) is shut down; however, the NCS appliance can respond to requests to the service processor, such as a remote request to turn on the NCS appliance. The power-on LED flashes to indicate that the NCS appliance is connected to power but is not turned on.

Turning on the Cisco Prime Network Control System Appliance

Approximately 5 seconds after the NCS appliance is connected to power, one or more fans might start running to provide cooling while the system is connected to power, and the power-on button LED will blink quickly. Approximately 20 to 40 seconds after the NCS appliance is connected to power, the power-control button becomes active (the power-on LED will blink slowly), and one or more fans might start running to provide cooling while the NCS appliance is connected to power. You can turn on the NCS appliance by pressing the power-control button.

If a power failure occurs while the NCS appliance is turned on, the system will restart automatically when power is restored.

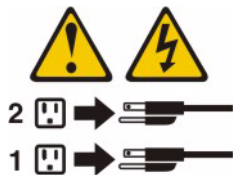
Turning off the Cisco Prime Network Control System Appliance

When you turn off the NCS appliance and leave it connected to power, it can respond to requests to the service processor, such as a remote request to turn on the NCS appliance. While the NCS appliance remains connected to power, one or more fans might continue to run. To remove all power from the NCS appliance, you must disconnect it from the power source.



Caution

The power control button on the device and the power switch on the power supply do not turn off the electrical current supplied to the device. The device also might have more than one power cord. To remove all electrical current from the device, ensure that all power cords are disconnected from the power source.

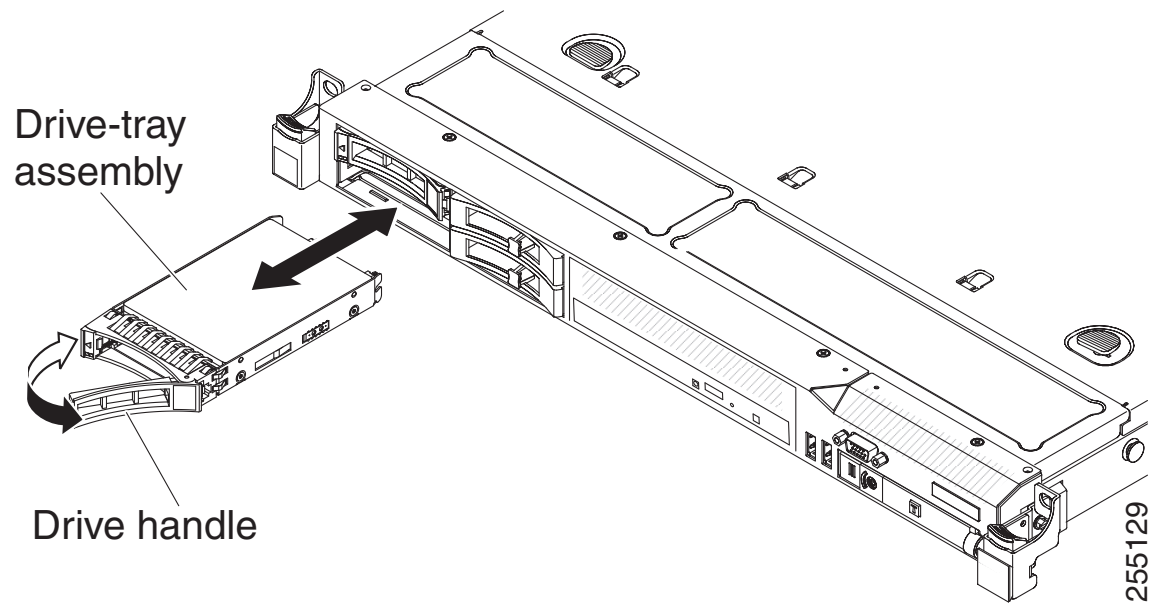


The integrated management module (IMM) can turn off the NCS appliance as an automatic response to a critical system failure.

Replacing a Failed Hot-Swap Hard Disk Drive

To replace a 2.5-inch hot-swap SAS hard disk drive, perform the following steps.

You can order replacement hard disk drives from Cisco. The replacement part PID is AIR-SRVR-300GB-HD=.



-
- Step 1** Read the safety information in the [“General Warnings, Regulatory and Safety”](#) section on page viii.
- Step 2** Touch the static-protective package that contains the drive to any unpainted metal surface on the NCS appliance; then, remove the drive from the package and place it on a static-protective surface.
- Step 3** Ensure that the drive you are replacing has failed before pulling it out of the drive slot. Press on the tray handle to unlock the drive. Pull on the tray handle to remove the drive.
- Step 4** Install the hard disk drive in the drive bay as follows:
- Make sure that the tray handle is in the open (unlocked) position.
 - Align the drive assembly with the guide rails in the bay.
 - Gently push the drive assembly into the bay until the drive stops.
 - Rotate the tray handle to the closed (locked) position.
 - Check the hard disk drive status LED to verify that the hard disk drive is operating correctly. If the amber hard disk drive status LED for a drive is lit continuously, that drive is faulty and must be replaced. If the green hard disk drive activity LED is flashing, the drive is being accessed.
-

Replacing a Hot-Swap AC Power Supply

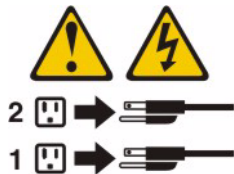
This section describes the type of AC power supply that the NCS appliance supports and other information that you must consider when you replace a failed power supply:

- The Cisco Prime Network Control System appliance comes with two 675-watt hot-swap 12-volt output power supplies that connect to power supply bays 1 and 2. The input voltage is 110 VAC or 220 VAC auto-sensing.
- Power supply 1 is the default/primary power supply. If power supply 1 fails, you must replace the power supply immediately.

- You can order replacement power supplies from Cisco. The replacement part PID is AIR-SRVR-PWR=.
- These power supplies are designed for parallel operation. In the event of a power-supply failure, the redundant power supply continues to power the system.

**Caution**

The power control button on the device and the power switch on the power supply do not turn off the electrical current supplied to the device. The device also might have more than one power cord. To remove all electrical current from the device, ensure that all power cords are disconnected from the power source.

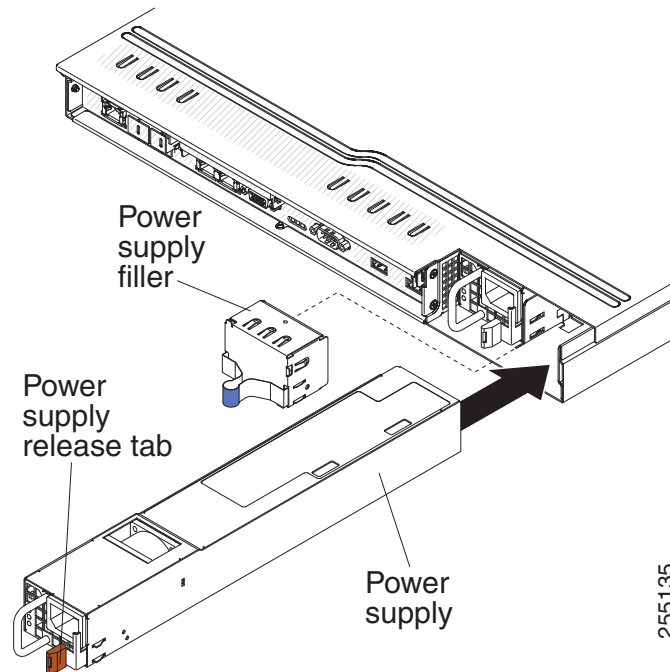
**Caution**

Never remove the cover on a power supply or any part that has the following label attached. Hazardous voltage, current, and energy levels are present inside any component that has this label attached. There are no serviceable parts inside these components. If you suspect a problem with one of these parts, contact a service technician.



To install a hot-swap power supply, perform the following steps.

- Step 1** Read the safety information in the [“General Warnings, Regulatory and Safety”](#) section on page viii.
- Step 2** Touch the static-protective package that contains the hot-swap power supply to any unpainted metal surface on the NCS appliance; then, remove the power supply from the package and place it on a static-protective surface.
- Step 3** Remove the failed power supply first. Grasp the handle on the rear of the power supply and slide the power supply out from the chassis.



- Step 4** Grasp the handle on the rear of the power supply and slide the power supply forward into the power-supply bay until it clicks. Make sure that the power supply connects firmly into the power-supply connector.
- Step 5** Route the power cord through the handle so that it does not accidentally become unplugged.
- Step 6** Connect the power cord for the new power supply to the power-cord connector on the power supply.
- Step 7** Connect the other end of the power cord to a properly grounded electrical outlet.
- Step 8** Make sure that the AC power LED and the DC power LED on the AC power supply are lit, indicating that the power supply is operating correctly. The two green LEDs are to the right of the power-cord connector.

Connecting the Cables

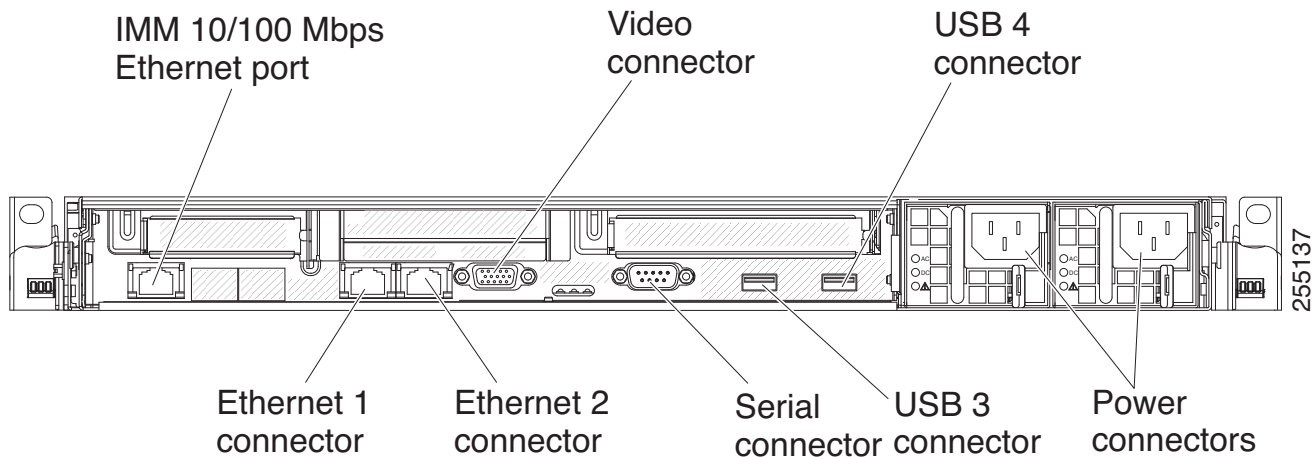
Figure 1-9 shows the locations of the input and output connectors on the front of the NCS appliance.

Figure 1-9 Front of Cisco Prime Network Control System Appliance



Figure 1-10 shows the locations of the input and output connectors on the rear of the NCS appliance.

Figure 1-10 Rear of Cisco Prime Network Control System Appliance



Connecting and Using the CLI Console

For initial system configuration, use the command-line interface (CLI) console. The CLI console connects to the NCS appliance back-panel DB9 console port. [Figure 1-5 on page 1-22](#) shows the console port on the back panel of the NCS appliance. Back panel components are described in [Rear Panel Components, page 1-22](#).

Use the following terminal emulator settings for the CLI console session:

- 9600 baud
- 8 data bits
- no flow control
- 1 stop bit
- no parity

Powering On the Cisco Prime Network Control System Appliance

When you apply AC power to an NCS appliance, the bootup script initializes the operating system and its stored configurations. You are prompted to enter a user ID and password and enter key configuration details.

To power on the NCS appliance, perform the following steps.

-
- Step 1** Plug an AC power cord into the back of the two power supplies ([Figure 1-5 on page 1-22](#)). If only one power supply is connected to a power source, the system will still function correctly but the monitoring components of the NCS appliance will detect the absence of the second power supply. The NCS appliance will raise an internal alarm, and a failure will be shown on the Administration > Appliance page. Connect the other end to a grounded 100 to 240 VAC 50/60 Hz electrical outlet.
- The end of the power cord that plugs into the NCS appliance conforms with the IEC 320 standard.
- Step 2** Use the front-panel Power On/Standby button, located in the operator information panel, to turn the NCS appliance on ([Figure 1-2 on page 1-17](#)).
- Step 3** At the login prompt, enter the NCS appliance operating user ID and password.
- The user ID and password are case sensitive.
- You are now logged into the NCS appliance operating system.
- Continue to the [“Configuring the Cisco Prime Network Control System Appliance” section on page 1-31](#).
-

Configuring the Cisco Prime Network Control System Appliance

Minimal configuration is performed for the Cisco Prime Network Control System appliance as part of installation using the console. All configuration beyond the initial setup using the automatic installation is performed from the CLI after setup or from the NCS appliance GUI. For details on automatic installation, refer to the [“Automatic Installation Script” section on page 1-31](#). The example installation shown in this section shows the two possible paths the setup may take: one for the HA primary machine and one for the HA secondary machine.

Automatic Installation Script

-
- Step 1** When the appliance powers on for the first time, you will see the setup prompt. Enter **setup** at the prompt.
- ```

Please type 'setup' to configure the appliance

localhost.localdomain login: setup

...
```
- Step 2** You will be prompted by a series of system prompts to set up the NCS appliance. Enter the desired values at the system prompts.
- ```
Press 'Ctrl-C' to abort setup

The hostname should be a unique name that can identify the device on the network. The hostname should start with a letter, end with a letter or number, and contain only letters, numbers, and dashes.

Enter hostname []: myNCS
Enter IP address[]: 1.2.3.4
Enter IP default netmask[]: 255.255.255.0
Enter IP default gateway[]: 1.2.3.1
```

Enter DNS information. Enter a domain name for the network domain to which this device belongs. The domain name should start with a letter, and it should end with a valid domain name suffix such as .com. It must contain only letters, numbers, dashes, and dots.

```
Enter default DNS domain[]: mydomain.com
Enter primary nameserver[]: 1.2.3.2
Add/Edit another nameserver? Y/N : N
```

Enter NTP server information.



Note The NCS appliance and its associated controllers must be mapped to the same NTP server. An NTP server is required to automatically synchronize time between the controllers, the NCS appliance, and the mobility services engine.



Note A list of available time zones is provided in [Appendix A](#).

```
Enter primary NTP server[time.nist.gov]:
Add/Edit secondary NTP server? Y/N : N
Enter system timezone[UTC]: US/Pacific
Enter username[admin]:
Enter password:
Enter password again:
Bringing up network interface...
Pinging the gateway...
Pinging the primary nameserver...
Do not use 'Ctrl-C' from this point on...
Appliance is configured
Installing applications...
Installing NCS ...
*****
* Cisco Prime Network Control System Setup *
*****
Enter "^" to return to previous question.
```

HA Primary Machine

```
*****
* High Availability Role Selection *
*****
Will this server be used as a Secondary for HA? (yes/no) [no]:

*****
* Web Interface Root Password Selection *
*****
Enter root password:
Enter root password again:

*****
* FTP Password Selection *
*****
Enter ftp password:
Enter ftp password again:

*****
* Summary *
*****
Server will not be a Secondary
Root Password is set.
```

```
Ftp Password is set.
Apply these settings? (y/n)n
```

HA Secondary Machine

```
*****
* High Availability Role Selection *
*****
Will this server be used as a Secondary for HA? (yes/no)[no]:yes

*****
* Web Interface Root Password Selection *
*****
Enter root password:
Enter root password again:

*****
* FTP Password Selection *
*****
Enter ftp password:
Enter ftp password again:

*****
* Summary *
*****
Server will not be a Secondary
Root Password is set.
Ftp Password is set.
Apply these settings? (y/n)y
Settings Applied.

Application bundle (NCS) installed successfully

=== Initial Setup for Application: NCS ===

Running database cloning script...
Running database creation script...
Setting limits.conf file...
Turning on ipmi service...
Setting up NCS service...
Generating configuration...
Rebooting...
```

Logging in to the NCS Appliance

After the system reboots, perform the following steps to log in to the Cisco Prime Network Control System appliance.

-
- Step 1** Log into the NCS server via Web browser as root user.
- Login URL: **https://hostname**
 - username: **root**
 - password: *********

The root password is the Web password that was configured during setup. The root password can be changed after logging into the NCS via browser login.

Exporting Data from the Cisco Wireless Controller System

If you are migrating from a version of the Cisco Wireless Controller System (WCS) to the Cisco Prime Network Control System, perform the following steps to export data from the Cisco Wireless Controller System (WCS).



Note

The current zip tool can handle zip files of up to only 4G in size. If the WCS database file is larger than 10G, it is highly possible that the zip file size will be larger than 4G. Please request a patch if you have this issue.

-
- Step 1** Stop the existing WCS.
- Step 2** Execute the `cd` command to the `bin` directory.
- Step 3** Run the export using one of the following commands, depending on your operating system. Provide the path and export file name as prompted.
- In Linux: `export.sh all /data/wcs.zip`
 - In Windows: `export.bat all c:/wcs.zip`
-

Importing WCS data to the Cisco Prime Network Control System

NCS supports data migration from WCS release 7.0.164.3 only. For additional details and steps about migrating data from WCS to NCS, see the *Cisco Prime NCS Prime Configuration Guide*, Chapter 4: Performing Maintenance Operations, under the section “Performing NCS operations: Upgrading WCS to NCS” at the following URL:

http://www.cisco.com/en/US/products/ps11686/tsd_products_support_series_home.html

Configuring an NTP Server

You can configure NTP servers to set up the time and date of the NCS appliance.



Note

You are automatically prompted to enable NTP and enter NTP server IP addresses as part of the automatic installation script. For more details on the automatic installation script, refer to the “Configuring the Cisco Prime Network Control System Appliance” section on page 1-31.



Note

For more information on the NTP configuration, consult the Linux configuration guide.

During appliance setup, you were prompted to add an NTP server. Once the NCS appliance is up, the following command will allow you to change the NTP server configuration.

```
admin# configure
Enter configuration commands, one per line. End with CNTL/Z.
admin(config)# ntp ?
    server Specify NTP server(s) to use

admin(config)# ntp server ?
    <WORD> NTP server, IP or HOSTNAME (Max Size - 255)

admin(config)# ntp server 1.2.3.4 ?
    <WORD> NTP server, IP or HOSTNAME (Max Size - 255)
    <cr> Carriage return.

admin(config)# ntp server 1.2.3.4 1.2.3.5 ?
    <WORD> NTP server, IP or HOSTNAME (Max Size - 255)
    <cr> Carriage return.

admin(config)# ntp server 1.2.3.4 1.2.3.5 1.2.3.6 ?
    <cr> Carriage return.

admin(config)# ntp server 1.2.3.4 1.2.3.5 1.2.3.6
```

Verifying the Cisco Prime Network Control System Appliance Software State

You can verify the NCS appliance software state at any time. In the NCS appliance CLI interface, enter the **ncs status** command.

If the NCS appliance is running, the command output looks like this example:

```
admin# ncs status
Health Monitor Server is running.
Reporting Server is Success
Ftp Server is Success
Database server is running
Tftp Server is Success
Matlab Server is Success
NMS Server is running.

admin#
```

If the NCS appliance is not running, the command output looks like the following example:

```
NCS Platform is down
```

Manually Stopping Cisco Prime Network Control System Appliance Software

The NCS appliance software automatically runs after initial configuration and after each reboot.

To manually stop and restart the software, perform the following steps :

Step 1 To stop the software, enter the following command:

```
ncs stop
```

Step 2 To check status, enter the following command:

```
ncs status
```

Step 3 To start the software, enter the following command:

```
ncs start
```

Emergency Recovery

Downloading and Burning the Recovery ISO Image to DVD

In an emergency situation, such as corrupted software, downgrade to an older release, or restoring a problematic appliance, perform the following steps to download and burn the desired recovery ISO image to DVD.

Step 1 The recovery ISO is available through Cisco TAC. Contact Cisco TAC to obtain the recovery ISO image file.

Step 2 Download the recovery ISO image file.

Step 3 Burn the recovery ISO image file to a DVD.

Installing Recovery Image



Warning

The following procedure will completely reinstall the appliance and all data on the appliance will be removed. You must copy any data or files that you would like to keep from the appliance before performing this procedure.

Step 1 Reboot the NCS appliance with the recovery ISO DVD inserted. The Cisco Prime Network Control System Welcome screen appears.

```
ISOLINUX 3.11 2005-09-02 Copyright (C) 1994-2005 H. Peter Anvin
```

```
Welcome to Cisco Prime Network Control System
```

```
To boot from hard disk, press <Enter>.
```

```
Available boot options:
```

```
[1] Network Control System Installation (Keyboard/Monitor)
[2] Network Control System Installation (Serial Console)
```

```
[3] Recover administrator password. (Keyboard/Monitor)
[4] Recover administrator password. (Serial Console)
<Enter> Boot existing OS from Hard Disk.
```

Enter boot option and press <return>.

boot:

Step 2 Select the desired install option, 1 or 2, depending on how you are connected to the appliance.

The installation will take approximately 30 minutes. After the ISO image is installed, the NCS appliance reboots. When the reboot completes, the following prompt will appear and the appliance will be wiped clean.

```
*****
Please type 'setup' to configure the appliance
*****
```

Recovering a Lost Admin Password

If you lose or forget the admin password for NCS appliance, follow these steps.

Step 1 Reboot the NCS appliance with the ISO DVD inserted. The Cisco Prime Network Control System Welcome screen appears.

```
ISOLINUX 3.11 2005-09-02 Copyright (C) 1994-2005 H. Peter Anvin
```

```
        Welcome to Cisco Prime Network Control System
```

To boot from hard disk, press <Enter>.

Available boot options:

```
[1] Network Control System Installation (Keyboard/Monitor)
[2] Network Control System Installation (Serial Console)
[3] Recover administrator password. (Keyboard/Monitor)
[4] Recover administrator password. (Serial Console)
<Enter> Boot existing OS from Hard Disk.
```

Enter boot option and press <return>.

boot:

Step 2 Select the desired recovery option, 3 or 4, depending on how you are connected to the appliance.



APPENDIX **A**

System Time Zones

This appendix lists all the available values for the system time zone.

Libya	GB-Eire	Kwajalein
GMT	Australia/Lord_Howe	Australia/West
Australia/Sydney	Australia/South	Australia/Queensland
Australia/Yancowinna	Australia/Melbourne	Australia/Canberra
Australia/Adelaide	Australia/Brisbane	Australia/Broken_Hill
Australia/North	Australia/Lindeman	Australia/Eucla
Australia/LHI	Australia/Perth	Australia/Tasmania
Australia/NSW	Australia/ACT	Australia/Darwin
Australia/Hobart	Australia/Victoria	Australia/Currie
EST	Hongkong	CST6CDT
GMT0	Iran	Etc/GMT-7
Etc/GMT	Etc/GMT-5	Etc/GMT+9
Etc/GMT0	Etc/GMT+5	Etc/UCT
Etc/GMT-6	Etc/GMT+8	Etc/GMT+10
Etc/GMT-9	Etc/GMT-11	Etc/GMT-13
Etc/GMT+0	Etc/GMT-1	Etc/GMT-10
Etc/GMT+3	Etc/GMT-0	Etc/GMT-3
Etc/GMT-8	Etc/GMT+11	Etc/Universal
Etc/GMT+4	Etc/UTC	Etc/GMT+12
Etc/Zulu	Etc/GMT+7	Etc/GMT-12
Etc/Greenwich	Etc/GMT-2	Etc/GMT+1
Etc/GMT-14	Etc/GMT-4	Etc/GMT+6
Etc/GMT+2	Antarctica/Palmer	Antarctica/Rothera
Antarctica/Casey	Antarctica/South_Pole	Antarctica/Davis
Antarctica/Syowa	Antarctica/DumontDURville	Antarctica/Mawson
Antarctica/Vostok	Antarctica/McMurdo	W-SU

US/Central	US/Aleutian	US/Samoa
US/Mountain	US/Arizona	US/Michigan
US/East-Indiana	US/Pacific	US/Hawaii
US/Alaska	US/Eastern	US/Indiana-Starke
Eire	PRC	UCT
Jamaica	Chile/EasterIsland	Chile/Continental
Egypt	Brazil/West	Brazil/DeNoronha
Brazil/East	Brazil/Acre	Indian/Mahe
Indian/Antananarivo	Indian/Kerguelen	Indian/Mauritius
Indian/Chagos	Indian/Cocos	Indian/Reunion
Indian/Maldives	Indian/Mayotte	Indian/Christmas
Indian/Comoro	EET	Mideast/Riyadh88
Mideast/Riyadh89	Mideast/Riyadh87	Japan
Africa/Harare	Africa/Mogadishu	Africa/Cairo
Africa/Banjul	Africa/Luanda	Africa/Addis_Ababa
Africa/Johannesburg	Africa/Ouagadougou	Africa/Lubumbashi
Africa/Windhoek	Africa/Bissau	Africa/Nouakchott
Africa/Freetown	Africa/Sao_Tome	Africa/Brazzaville
Africa/Blantyre	Africa/Maseru	Africa/Algiers
Africa/Lome	Africa/Asmera	Africa/Tunis
Africa/Porto-Novo	Africa/Bamako	Africa/El_Aaiun
Africa/Kinshasa	Africa/Tripoli	Africa/Bujumbura
Africa/Bangui	Africa/Conakry	Africa/Lusaka
Africa/Nairobi	Africa/Ceuta	Africa/Mbabane
Africa/Timbuktu	Africa/Accra	Africa/Niamey
Africa/Gaborone	Africa/Djibouti	Africa/Lagos
Africa/Maputo	Africa/Kigali	Africa/Khartoum
Africa/Abidjan	Africa/Dar_es_Salaam	Africa/Asmara
Africa/Libreville	Africa/Dakar	Africa/Malabo
Africa/Kampala	Africa/Casablanca	Africa/Ndjamena
Africa/Monrovia	Africa/Douala	MST
Singapore	Europe/Copenhagen	Europe/Bratislava
Europe/Riga	Europe/Jersey	Europe/Uzhgorod
Europe/Luxembourg	Europe/Athens	Europe/Belfast
Europe/Samara	Europe/San_Marino	Europe/Tirane
Europe/Monaco	Europe/Sofia	Europe/Stockholm
Europe/Guernsey	Europe/Amsterdam	Europe/Sarajevo
Europe/Andorra	Europe/Zaporozhye	Europe/Bucharest

Europe/Dublin	Europe/Zagreb	Europe/Ljubljana
Europe/Prague	Europe/Moscow	Europe/Vatican
Europe/Kiev	Europe/Warsaw	Europe/Chisinau
Europe/Zurich	Europe/Malta	Europe/Skopje
Europe/Volgograd	Europe/Vaduz	Europe/Rome
Europe/Brussels	Europe/Helsinki	Europe/Belgrade
Europe/Istanbul	Europe/Budapest	Europe/Madrid
Europe/Mariehamn	Europe/Simferopol	Europe/Paris
Europe/Minsk	Europe/Vilnius	Europe/Podgorica
Europe/Isle_of_Man	Europe/Vienna	Europe/Kaliningrad
Europe/Gibraltar	Europe/Lisbon	Europe/Tallinn
Europe/Oslo	Europe/London	Europe/Nicosia
Europe/Tiraspol	Europe/Berlin	Mexico/BajaSur
Mexico/BajaNorte	Mexico/General	GMT+0
WET	MST7MDT	Turkey
Factory	Atlantic/St_Helena	Atlantic/Bermuda
Atlantic/Faeroe	Atlantic/Madeira	Atlantic/Canary
Atlantic/Jan_Mayen	Atlantic/Reykjavik	Atlantic/Stanley
Atlantic/Azores	Atlantic/South_Georgia	Atlantic/Cape_Verde
Atlantic/Faroe	GMT-0	Poland
America/El_Salvador	America/Montreal	America/St_Kitts
America/Godthab	America/Cambridge_Bay	America/Glace_Bay
America/St_Thomas	America/Chicago	America/Shiprock
America/St_Barthelemy	America/Chihuahua	America/Guadeloupe
America/Miquelon	America/Maceio	America/Toronto
America/Noronha	America/Swift_Current	America/Tortola
America/Mendoza	America/Argentina/Mendoza	America/Argentina/San_Luis
America/Argentina/ Buenos_Aires	America/Argentina/Catamarca	America/Argentina/Tucuman
America/Argentina/San_Juan	America/Argentina/La_Rioja	America/Argentina/Salta
America/Argentina/Cordoba	America/Argentina/Jujuy	America/Argentina/ ComodRivadavia
America/Argentina/Ushuaia	America/Argentina/Rio_Gallegos	America/St_Vincent
America/Boise	America/Regina	America/Thule
America/Santiago	America/Menominee	America/Coral_Harbour
America/Caracas	America/Aruba	America/Danmarkshavn
America/Jamaica	America/Fortaleza	America/Inuvik
America/Havana	America/Curacao	America/Cuiaba
America/Guatemala	America/Dawson	America/Yakutat

America/Atikokan	America/Nipigon	America/Grenada
America/Panama	America/Eirunepe	America/Phoenix
America/Belem	America/Goose_Bay	America/Sao_Paulo
America/Vancouver	America/Adak	America/Tijuana
America/Louisville	America/Scoresbysund	America/Halifax
America/Antigua	America/Winnipeg	America/Asuncion
America/Santarem	America/Knox_IN	America/Buenos_Aires
America/Catamarca	America/Pangnirtung	America/Rainy_River
America/Rankin_Inlet	America/Araguaina	America/Atka
America/Cayenne	America/Campo_Grande	America/Mazatlan
America/Porto_Velho	America/Anguilla	America/Whitehorse
America/Nassau	America/Hermosillo	America/Guyana
America/Grand_Turk	America/St_Lucia	America/Manaus
America/Blanc-Sablon	America/Kentucky/Monticello	America/Kentucky/Louisville
America/Ensenada	America/Anchorage	America/Managua
America/Costa_Rica	America/La_Paz	America/Puerto_Rico
America/Iqaluit	America/Virgin	America/Porto_Acre
America/Yellowknife	America/Boa_Vista	America/Montserrat
America/Juneau	America/Port-au-Prince	America/Recife
America/Port_of_Spain	America/Barbados	America/Bahia
America/Monterrey	America/Indiana/Knox	America/Indiana/Marengo
America/Indiana/Vincennes	America/Indiana/Tell_City	America/Indiana/Vevay
America/Indiana/Petersburg	America/Indiana/Indianapolis	America/Indiana/Winamac
America/Resolute	America/Cordoba	America/Rosario
America/Santo_Domingo	America/Denver	America/Edmonton
America/Thunder_Bay	America/Merida	America/Dawson_Creek
America/St_Johns	America/Cancun	America/Fort_Wayne
America/Dominica	America/Marigot	America/Jujuy
America/Rio_Branco	America/Mexico_City	America/Cayman
America/Indianapolis	America/New_York	America/Guayaquil
America/Lima	America/Los_Angeles	America/Martinique
America/Belize	America/Bogota	America/Paramaribo
America/Detroit	America/Nome	America/Montevideo
America/North_Dakota/ New_Salem	America/North_Dakota/Center	America/Tegucigalpa
America/Moncton	Cuba	Navajo
NZ-CHAT	Iceland	Universal
Pacific/Pitcairn	Pacific/Kwajalein	Pacific/Noumea
Pacific/Samoa	Pacific/Enderbury	Pacific/Rarotonga

Pacific/Pago_Pago	Pacific/Tarawa	Pacific/Fiji
Pacific/Chatham	Pacific/Guadalcanal	Pacific/Honolulu
Pacific/Palau	Pacific/Galapagos	Pacific/Kosrae
Pacific/Majuro	Pacific/Guam	Pacific/Efate
Pacific/Funafuti	Pacific/Wallis	Pacific/Nauru
Pacific/Fakaofu	Pacific/Easter	Pacific/Norfolk
Pacific/Yap	Pacific/Johnston	Pacific/Truk
Pacific/Port_Moresby	Pacific/Saipan	Pacific/Tongatapu
Pacific/Midway	Pacific/Marquesas	Pacific/Kiritimati
Pacific/Gambier	Pacific/Niue	Pacific/Auckland
Pacific/Ponape	Pacific/Apia	Pacific/Tahiti
Pacific/Wake	Israel	UTC
Portugal	ROC	NZ
Canada/Central	Canada/Yukon	Canada/East-Saskatchewan
Canada/Mountain	Canada/Atlantic	Canada/Pacific
Canada/Eastern	Canada/Newfoundland	Canada/Saskatchewan
PST8PDT	Zulu	CET
Arctic/Longyearbyen	GB	ROK
EST5EDT	Greenwich	Asia/Pyongyang
Asia/Vladivostok	Asia/Ulaanbaatar	Asia/Tel_Aviv
Asia/Riyadh	Asia/Riyadh88	Asia/Baku
Asia/Kuching	Asia/Kashgar	Asia/Harbin
Asia/Katmandu	Asia/Riyadh89	Asia/Aqtobe
Asia/Thimbu	Asia/Baghdad	Asia/Colombo
Asia/Tokyo	Asia/Aqtau	Asia/Taipei
Asia/Kuwait	Asia/Chungking	Asia/Jayapura
Asia/Tashkent	Asia/Ujung_Pandang	Asia/Karachi
Asia/Dhaka	Asia/Singapore	Asia/Gaza
Asia/Sakhalin	Asia/Kuala_Lumpur	Asia/Dubai
Asia/Kabul	Asia/Dushanbe	Asia/Jakarta
Asia/Novosibirsk	Asia/Qyzylorda	Asia/Dili
Asia/Shanghai	Asia/Irkutsk	Asia/Kamchatka
Asia/Urumqi	Asia/Aden	Asia/Muscat
Asia/Magadan	Asia/Yekaterinburg	Asia/Tbilisi
Asia/Brunei	Asia/Krasnoyarsk	Asia/Hong_Kong
Asia/Omsk	Asia/Samarkand	Asia/Pontianak
Asia/Saigon	Asia/Hovd	Asia/Bahrain
Asia/Phnom_Penh	Asia/Ashkhabad	Asia/Kolkata

Asia/Bishkek	Asia/Macao	Asia/Anadyr
Asia/Calcutta	Asia/Ulan_Bator	Asia/Macau
Asia/Vientiane	Asia/Ashgabat	Asia/Istanbul
Asia/Dacca	Asia/Damascus	Asia/Yakutsk
Asia/Kathmandu	Asia/Makassar	Asia/Amman
Asia/Thimphu	Asia/Choibalsan	Asia/Manila
Asia/Yerevan	Asia/Tehran	Asia/Rangoon
Asia/Qatar	Asia/Almaty	Asia/Chongqing
Asia/Oral	Asia/Beirut	Asia/Seoul
Asia/Bangkok	Asia/Nicosia	Asia/Ho_Chi_Minh
Asia/Riyadh87	Asia/Jerusalem	MET
HST		



APPENDIX **B**

Safety Considerations and Translated Safety Warnings

This appendix lists safety notices for the Cisco Prime Network Control System Appliance.

The following safety considerations and safety warnings appear in this appendix:

- [Safety Considerations, page B-2](#)
- [Warning Definition, page B-2](#)
- [More Than One Power Supply, page B-5](#)
- [Installation Instructions, page B-7](#)
- [Ground Conductor Warning, page B-9](#)
- [Chassis Warning for Rack-Mounting and Servicing, page B-11](#)
- [Equipment Installation Warning, page B-20](#)
- [Battery Handling, page B-23](#)
- [Product Disposal, page B-25](#)
- [Power Cable and AC Adapter, page B-27](#)

Safety Considerations

Keep these guidelines in mind when installing NCS appliance:

- Verify that the ambient temperature remains between 10 and 35° C (50 and 95° F), taking into account the elevated temperatures that occur when they are installed in a rack.
- When multiple NCS appliances are mounted in an equipment rack, be sure that the power source is sufficiently rated to safely run all of the equipment in the rack.
- Verify the integrity of the ground before installing NCS appliances in an equipment rack.

Warning Definition



Warning

IMPORTANT SAFETY INSTRUCTIONS

This warning symbol means danger. You are in a situation that could cause bodily injury. Before you work on any equipment, be aware of the hazards involved with electrical circuitry and be familiar with standard practices for preventing accidents. Use the statement number provided at the end of each warning to locate its translation in the translated safety warnings that accompanied this device. Statement 1071

SAVE THESE INSTRUCTIONS

Waarschuwing

BELANGRIJKE VEILIGHEIDSINSTRUCTIES

Dit waarschuwingssymbool betekent gevaar. U verkeert in een situatie die lichamelijk letsel kan veroorzaken. Voordat u aan enige apparatuur gaat werken, dient u zich bewust te zijn van de bij elektrische schakelingen betrokken risico's en dient u op de hoogte te zijn van de standaard praktijken om ongelukken te voorkomen. Gebruik het nummer van de verklaring onderaan de waarschuwing als u een vertaling van de waarschuwing die bij het apparaat wordt geleverd, wilt raadplegen.

BEWAAR DEZE INSTRUCTIES

Varoitus

TÄRKEITÄ TURVALLISUUSOHJEITA

Tämä varoitusmerkki merkitsee vaaraa. Tilanne voi aiheuttaa ruumiillisia vammoja. Ennen kuin käsittelet laitteistoa, huomioi sähköpiirien käsittelyyn liittyvät riskit ja tutustu onnettomuuksien yleisiin ehkäisytapoihin. Turvallisuusvaroitusten käännökset löytyvät laitteen mukana toimitettujen käännettyjen turvallisuusvaroitusten joukosta varoitusten lopussa näkyvien lausuntonumeroiden avulla.

SÄILYTÄ NÄMÄ OHJEET

Attention IMPORTANTES INFORMATIONS DE SÉCURITÉ

Ce symbole d'avertissement indique un danger. Vous vous trouvez dans une situation pouvant entraîner des blessures ou des dommages corporels. Avant de travailler sur un équipement, soyez conscient des dangers liés aux circuits électriques et familiarisez-vous avec les procédures couramment utilisées pour éviter les accidents. Pour prendre connaissance des traductions des avertissements figurant dans les consignes de sécurité traduites qui accompagnent cet appareil, référez-vous au numéro de l'instruction situé à la fin de chaque avertissement.

CONSERVEZ CES INFORMATIONS**Warnung WICHTIGE SICHERHEITSHINWEISE**

Dieses Warnsymbol bedeutet Gefahr. Sie befinden sich in einer Situation, die zu Verletzungen führen kann. Machen Sie sich vor der Arbeit mit Geräten mit den Gefahren elektrischer Schaltungen und den üblichen Verfahren zur Vorbeugung vor Unfällen vertraut. Suchen Sie mit der am Ende jeder Warnung angegebenen Anweisungsnummer nach der jeweiligen Übersetzung in den übersetzten Sicherheitshinweisen, die zusammen mit diesem Gerät ausgeliefert wurden.

BEWAHREN SIE DIESE HINWEISE GUT AUF.**Avvertenza IMPORTANTI ISTRUZIONI SULLA SICUREZZA**

Questo simbolo di avvertenza indica un pericolo. La situazione potrebbe causare infortuni alle persone. Prima di intervenire su qualsiasi apparecchiatura, occorre essere al corrente dei pericoli relativi ai circuiti elettrici e conoscere le procedure standard per la prevenzione di incidenti. Utilizzare il numero di istruzione presente alla fine di ciascuna avvertenza per individuare le traduzioni delle avvertenze riportate in questo documento.

CONSERVARE QUESTE ISTRUZIONI**Advarsel VIKTIGE SIKKERHETSINSTRUKSJONER**

Dette advarselssymbolet betyr fare. Du er i en situasjon som kan føre til skade på person. Før du begynner å arbeide med noe av utstyret, må du være oppmerksom på farene forbundet med elektriske kretser, og kjenne til standardprosedyrer for å forhindre ulykker. Bruk nummeret i slutten av hver advarsel for å finne oversettelsen i de oversatte sikkerhetsadvarslene som fulgte med denne enheten.

TA VARE PÅ DISSE INSTRUKSJONENE**Aviso INSTRUÇÕES IMPORTANTES DE SEGURANÇA**

Este símbolo de aviso significa perigo. Você está em uma situação que poderá ser causadora de lesões corporais. Antes de iniciar a utilização de qualquer equipamento, tenha conhecimento dos perigos envolvidos no manuseio de circuitos elétricos e familiarize-se com as práticas habituais de prevenção de acidentes. Utilize o número da instrução fornecido ao final de cada aviso para localizar sua tradução nos avisos de segurança traduzidos que acompanham este dispositivo.

GUARDE ESTAS INSTRUÇÕES

Warning Definition

¡Advertencia! INSTRUCCIONES IMPORTANTES DE SEGURIDAD

Este símbolo de aviso indica peligro. Existe riesgo para su integridad física. Antes de manipular cualquier equipo, considere los riesgos de la corriente eléctrica y familiarícese con los procedimientos estándar de prevención de accidentes. Al final de cada advertencia encontrará el número que le ayudará a encontrar el texto traducido en el apartado de traducciones que acompaña a este dispositivo.

GUARDE ESTAS INSTRUCCIONES**Varning! VIKTIGA SÄKERHETSANVISNINGAR**

Denna varningssignal signalerar fara. Du befinner dig i en situation som kan leda till personskada. Innan du utför arbete på någon utrustning måste du vara medveten om farorna med elkretsar och känna till vanliga förfaranden för att förebygga olyckor. Använd det nummer som finns i slutet av varje varning för att hitta dess översättning i de översatta säkerhetsvarningar som medföljer denna anordning.

SPARA DESSA ANVISNINGAR**Figyelem FONTOS BIZTONSÁGI ELOÍRÁSOK**

Ez a figyelmeztető jel veszélyre utal. Sérülésveszélyt rejtő helyzetben van. Mielőtt bármely berendezésen munkát végezte, legyen figyelemmel az elektromos áramkörök okozta kockázatokra, és ismerkedjen meg a szokásos balesetvédelmi eljárásokkal. A kiadványban szereplő figyelmeztetések fordítása a készülékhez mellékelt biztonsági figyelmeztetések között található; a fordítás az egyes figyelmeztetések végén látható szám alapján kereshető meg.

ORIZZE MEG EZEKET AZ UTASÍTÁSOKAT!**Предупреждение ВАЖНЫЕ ИНСТРУКЦИИ ПО СОБЛЮДЕНИЮ ТЕХНИКИ БЕЗОПАСНОСТИ**

Этот символ предупреждения обозначает опасность. То есть имеет место ситуация, в которой следует опасаться телесных повреждений. Перед эксплуатацией оборудования выясните, каким опасностям может подвергаться пользователь при использовании электрических цепей, и ознакомьтесь с правилами техники безопасности для предотвращения возможных несчастных случаев. Воспользуйтесь номером заявления, приведенным в конце каждого предупреждения, чтобы найти его переведенный вариант в переводе предупреждений по безопасности, прилагаемом к данному устройству.

СОХРАНИТЕ ЭТИ ИНСТРУКЦИИ

警告 重要的安全性说明

此警告符号代表危险。您正处于可能受到严重伤害的工作环境中。在您使用设备开始工作之前，必须充分意识到触电的危险，并熟练掌握防止事故发生的标准工作程序。请根据每项警告结尾提供的声明号码来找到此设备的安全性警告说明的翻译文本。

请保存这些安全性说明

警告 安全上の重要な注意事項

「危険」の意味です。人身事故を予防するための注意事項が記述されています。装置の取り扱い作業を行うときは、電気回路の危険性に注意し、一般的な事故防止策に留意してください。警告の各国語版は、各注意事項の番号を基に、装置に付属の「Translated Safety Warnings」を参照してください。

これらの注意事項を保管しておいてください。

More Than One Power Supply

**Warning**

This unit might have more than one power supply connection. All connections must be removed to de-energize the unit. Statement 1028

Waarschuwing

Deze eenheid kan meer dan één stroomtoevoeraansluiting bevatten. Alle aansluitingen dienen ontkoppeld te worden om de eenheid te ontcrachten.

Varoitus

Tässä laitteessa voi olla useampia kuin yksi virtakytkentä. Kaikki liitännät on irrotettava, jotta jännite poistetaan laitteesta.

Attention

Cette unité peut avoir plus d'une connexion d'alimentation. Pour supprimer toute tension et tout courant électrique de l'unité, toutes les connexions d'alimentation doivent être débranchées.

Warnung

Dieses Gerät kann mehr als eine Stromzufuhr haben. Um sicherzustellen, dass der Einheit kein Strom zugeführt wird, müssen alle Verbindungen entfernt werden.

Avvertenza

Questa unità può avere più di una connessione all'alimentazione elettrica. Tutte le connessioni devono essere staccate per togliere la corrente dall'unità.

Advarsel

Denne enheten kan ha mer enn én strømtilførselskobling. Alle koblinger må fjernes fra enheten for å utkoble all strøm.

Aviso

Esta unidade poderá ter mais de uma conexão de fonte de energia. Todas as conexões devem ser removidas para desligar a unidade.

¡Advertencia!

Puede que esta unidad tenga más de una conexión para fuentes de alimentación. Para cortar por completo el suministro de energía, deben desconectarse todas las conexiones.

Varning! Denna enhet har eventuellt mer än en strömförsörjningsanslutning. Alla anslutningar måste tas bort för att göra enheten strömlös.

Előfordulhat, hogy a készülék többszörösen van csatlakoztatva az áramforráshoz. A készülék áramtalanításához mindegyik csatlakozást meg kell szüntetni.

Предупреждение В данном устройстве может использоваться несколько подключений к электросети. Чтобы обесточить устройство, необходимо отключить все эти подключения.

警告 此部件连接的电源可能不止一个。必须将所有电源断开才能停止给该部件供电。

警告 この装置には、複数の電源が接続されている場合があります。装置の電源を完全にオフにするには、すべての電源を切断する必要があります。

주의 본 장치에는 2개 이상의 전원 공급 연결 단자가 있을 수 있습니다. 이 장치의 전원을 차단하려면 모든 연결 단자를 제거해야 합니다.

Aviso Esta unidade pode ter mais de uma conexão de fonte de alimentação. Todas as conexões devem ser removidas para interromper a alimentação da unidade.

Advarsel Denne enhed har muligvis mere end en strømforsyningstilslutning. Alle tilslutninger skal fjernes for at aflade strømmen fra enheden.

تحذير قد تتضمن هذه الوحدة أكثر من اتصال بمورد الطاقة. يجب فصل كافة التوصيلات حتى يمكن إفراغ طاقة الوحدة.

Upozorenje Uređaj može imati više priključaka za izvore napajanja. Za potpuno isključivanje napajanja potrebno je iskopčati sve priključke.

Upozornění Toto zařízení může být připojeno k více než jednomu zdroji napájení. Aby se zařízení zcela odpojilo od proudu, musí být odpojeno od všech zdrojů napájení.

Προειδοποίηση Αυτή η συσκευή ίσως να έχει περισσότερες συνδέσεις τροφοδοσίας. Για να απενεργοποιηθεί η συσκευή, πρέπει να αφαιρεθούν όλες οι συνδέσεις.

אזהרה ייתכן שביחידה זו קיים יותר מחיבור אחד לספק כוח. יש להסיר את כל החיבורים כדי להפסיק את אספקת המתח ליחידה.

Уредот може да има повеќе од еден приклучок за напојување. Сите приклучоци мора да се извадат за да се прекине доводот на енергија во уредот.

Ostrzeżenie To urządzenie może mieć podłączone więcej niż jedno źródło zasilania. Aby całkowicie odciąć dopływ energii do urządzenia, należy odłączyć wszystkie źródła zasilania.

Upozornenie Toto zariadenie môže byť pripojené k viac ako jednému zdroju napájania. Aby sa zariadenie odpojilo od prúdu, musí byť odpojené od všetkých zdrojov.

警告 本裝置可能有一個以上的供電連線。必須移除所有連線才能將裝置斷電。

Installation Instructions



Warning

Read the installation instructions before connecting the system to the power source. Statement 1004

Waarschuwing Raadpleeg de installatie-instructies voordat u het systeem op de voedingsbron aansluit.

Varoitus Lue asennusohjeet ennen järjestelmän yhdistämistä virtälähteeseen.

Attention Avant de brancher le système sur la source d'alimentation, consulter les directives d'installation.

Warnung Vor dem Anschließen des Systems an die Stromquelle die Installationsanweisungen lesen.

Avvertenza Consultare le istruzioni di installazione prima di collegare il sistema all'alimentatore.

Advarsel Les installasjonsinstruksjonene før systemet kobles til strømkilden.

Aviso Leia as instruções de instalação antes de ligar o sistema à fonte de energia.

¡Advertencia! Lea las instrucciones de instalación antes de conectar el sistema a la red de alimentación.

Varning! Läs installationsanvisningarna innan du kopplar systemet till strömförsörjningsenheten.

Figyelem Mielőtt áramforráshoz csatlakoztatná a rendszert, olvassa el az üzembe helyezési útmutatót!

Предупреждение Перед подключением устройства к источнику электропитания ознакомьтесь с данной инструкцией по установке.

警告 在將系統與電源連接之前，請仔細閱讀安裝說明。

警告 必ず設置手順を読んでから、システムを電源に接続してください。

주의 시스템을 전원에 연결하기 전에 설치 지침을 읽으십시오.

Aviso Leia as instruções de instalação antes de conectar o sistema à fonte de energia.

Upozornění Před připojením systému k elektrické síti si prostudujte pokyny k instalaci.

אזהרה יש לקרוא את הוראות ההתקנה לפני חיבור המערכת למקור המתח.

Ostrzeżenie Przed podłączeniem systemu do źródła zasilania należy przeczytać instrukcje dotyczące instalacji.

Upozornenie Pred pripojením systému k napájaciemu zdroju si prečítajte inštalčné pokyny.

Opozorilo Preden sistem priključite, preberite navodila za priključitev.

警告 將系統連接供電系統前，請先閱讀安裝指南。

Figyelem Mielőtt áramforráshoz csatlakoztatná a rendszert, olvassa el az üzembe helyezési útmutatót!

Предупреждение Перед подключением устройства к источнику электропитания ознакомьтесь с данной инструкцией по установке.

警告 在将系统与电源连接之前，请仔细阅读安装说明。

警告 必ず設置手順を読んでから、システムを電源に接続してください。

주의 시스템을 전원에 연결하기 전에 설치 지침을 읽으십시오.

Aviso Leia as instruções de instalação antes de conectar o sistema à fonte de energia.

Upozornění Před připojením systému k elektrické síti si prostudujte pokyny k instalaci.

אזהרה יש לקרוא את הוראות ההתקנה לפני חיבור המערכת למקור המתח.

Ostrzeżenie Przed podłączeniem systemu do źródła zasilania należy przeczytać instrukcje dotyczące instalacji.

Upozornenie Pred pripojením systému k napájaciemu zdroju si prečítajte inštalčné pokyny.

Opozorilo Preden sistem priključite, preberite navodila za priključitev.

警告 將系統連接供電系統前，請先閱讀安裝指南。

Ground Conductor Warning



Warning

This equipment must be grounded. Never defeat the ground conductor or operate the equipment in the absence of a suitably installed ground conductor. Contact the appropriate electrical inspection authority or an electrician if you are uncertain that suitable grounding is available. Statement 1024

Waarschuwing

Deze apparatuur dient geaard te zijn. De aardingsleiding mag nooit buiten werking worden gesteld en de apparatuur mag nooit bediend worden zonder dat er een op de juiste wijze geïnstalleerde aardingsleiding aanwezig is. Neem contact op met de bevoegde instantie voor elektrische inspecties of met een elektricien als u er niet zeker van bent dat er voor passende aarding gezorgd is.

Varoitus

Laitteiden on oltava maadoitettuja. Älä koskaan ohita maajohdinta tai käytä laitteita ilman oikein asennettua maajohdinta. Ota yhteys sähkötarkastusviranomaiseen tai sähköasentajaan, jos olet epävarma maadoituksen sopivuudesta.

Attention

Cet équipement doit être mis à la masse. Ne jamais rendre inopérant le conducteur de masse ni utiliser l'équipement sans un conducteur de masse adéquatement installé. En cas de doute sur la mise à la masse appropriée disponible, s'adresser à l'organisme responsable de la sécurité électrique ou à un électricien.

Warnung

Dieses Gerät muss geerdet sein. Auf keinen Fall den Erdungsleiter unwirksam machen oder das Gerät ohne einen sachgerecht installierten Erdungsleiter verwenden. Wenn Sie sich nicht sicher sind, ob eine sachgerechte Erdung vorhanden ist, wenden Sie sich an die zuständige Inspektionsbehörde oder einen Elektriker.

Avvertenza

Questa apparecchiatura deve essere dotata di messa a terra. Non escludere mai il conduttore di protezione né usare l'apparecchiatura in assenza di un conduttore di protezione installato in modo corretto. Se non si è certi della disponibilità di un adeguato collegamento di messa a terra, richiedere un controllo elettrico presso le autorità competenti o rivolgersi a un elettricista.

Advarsel

Dette utstyret må jordes. Omgå aldri jordingslederen og bruk aldri utstyret uten riktig montert jordingsleder. Ta kontakt med fagfolk innen elektrisk inspeksjon eller med en elektriker hvis du er usikker på om det finnes velegnet jordning.

Aviso

Este equipamento deve ser aterrado. Nunca anule o fio terra nem opere o equipamento sem um aterramento adequadamente instalado. Em caso de dúvida com relação ao sistema de aterramento disponível, entre em contato com os serviços locais de inspeção elétrica ou um eletricista qualificado.

Ground Conductor Warning

¡Advertencia! Este equipo debe estar conectado a tierra. No inhabilite el conductor de tierra ni haga funcionar el equipo si no hay un conductor de tierra instalado correctamente. Póngase en contacto con la autoridad correspondiente de inspección eléctrica o con un electricista si no está seguro de que haya una conexión a tierra adecuada.

Varning! Denna utrustning måste jordas. Koppla aldrig från jordledningen och använd aldrig utrustningen utan en på lämpligt sätt installerad jordledning. Om det föreligger osäkerhet huruvida lämplig jordning finns skall elektrisk besiktningsauktoritet eller elektriker kontaktas.

Figyelem A berendezés csak megfelelő védőföldeléssel működtethető. Ne iktassa ki a földelés csatlakozóját, és ne üzemeltesse a berendezést szabályosan felszerelt földelő vezeték nélkül! Ha nem biztos benne, hogy megfelelő földelés áll rendelkezésbe, forduljon a helyi elektromos hatóságokhoz vagy egy villanyszerelőhöz.

Предупреждение Данное устройство должно быть заземлено. Никогда не отключайте провод заземления и не пользуйтесь оборудованием при отсутствии правильно подключенного провода заземления. За сведениями об имеющихся возможностях заземления обратитесь к соответствующим контролирующим организациям по энергоснабжению или к инженеру-электрику.

警告 此设备必须接地。切勿使接地导体失效，或者在没有正确安装接地导体的情况下操作该设备。如果您不能肯定接地导体是否正常发挥作用，请咨询有关电路检测方面的权威人士或电工。

警告 この装置はアース接続する必要があります。アース導体を破損しないよう注意し、アース導体を正しく取り付けないまま装置を稼働させないでください。アース接続が適正であるかどうか分からない場合には、電気検査機関または電気技術者に相談してください。

Figyelem A berendezés csak megfelelő védőföldeléssel működtethető. Ne iktassa ki a földelés csatlakozóját, és ne üzemeltesse a berendezést szabályosan felszerelt földelő vezeték nélkül! Ha nem biztos benne, hogy megfelelő földelés áll rendelkezésbe, forduljon a helyi elektromos hatóságokhoz vagy egy villanyszerelőhöz.

Предупреждение Данное устройство должно быть заземлено. Никогда не отключайте провод заземления и не пользуйтесь оборудованием при отсутствии правильно подключенного провода заземления. За сведениями об имеющихся возможностях заземления обратитесь к соответствующим контролирующим организациям по энергоснабжению или к инженеру-электрику.

警告 此设备必须接地。切勿使接地导体失效，或者在没有正确安装接地导体的情况下操作该设备。如果您不能肯定接地导体是否正常发挥作用，请咨询有关电路检测方面的权威人士或电工。

警告 この装置はアース接続する必要があります。アース導体を破損しないよう注意し、アース導体を正しく取り付けないまま装置を稼働させないでください。アース接続が適正であるかどうか分からない場合には、電気検査機関または電気技術者に相談してください。

Chassis Warning for Rack-Mounting and Servicing



Warning

To prevent bodily injury when mounting or servicing this unit in a rack, you must take special precautions to ensure that the system remains stable. The following guidelines are provided to ensure your safety: Statement 1006

- This unit should be mounted at the bottom of the rack if it is the only unit in the rack.
- When mounting this unit in a partially filled rack, load the rack from the bottom to the top with the heaviest component at the bottom of the rack.
- If the rack is provided with stabilizing devices, install the stabilizers before mounting or servicing the unit in the rack.

Waarschuwing

Om lichamelijk letsel te voorkomen wanneer u dit toestel in een rek monteert of het daar een servicebeurt geeft, moet u speciale voorzorgsmaatregelen nemen om ervoor te zorgen dat het toestel stabiel blijft. De onderstaande richtlijnen worden verstrekt om uw veiligheid te verzekeren:

- Dit toestel dient onderaan in het rek gemonteerd te worden als het toestel het enige in het rek is.
- Wanneer u dit toestel in een gedeeltelijk gevuld rek monteert, dient u het rek van onderen naar boven te laden met het zwaarste onderdeel onderaan in het rek.
- Als het rek voorzien is van stabiliseringshulpmiddelen, dient u de stabilisatoren te monteren voordat u het toestel in het rek monteert of het daar een servicebeurt geeft.

Varoitus

Kun laite asetetaan telineeseen tai huolletaan sen ollessa telineessä, on noudatettava erityisiä varotoimia järjestelmän vakavuuden säilyttämiseksi, jotta vältetään loukkaantumiselta. Noudata seuraavia turvallisuusohjeita:

- Jos telineessä ei ole muita laitteita, aseta laite telineen alaosaan.
- Jos laite asetetaan osaksi täytettyyn telineeseen, aloita kuormittaminen sen alaosasta kaikkein raskaimmalla esineellä ja siirry sitten sen yläosaan.
- Jos telinettä varten on vakaimet, asenna ne ennen laitteen asettamista telineeseen tai sen huoltamista siinä.

- Attention** Pour éviter toute blessure corporelle pendant les opérations de montage ou de réparation de cette unité en casier, il convient de prendre des précautions spéciales afin de maintenir la stabilité du système. Les directives ci-dessous sont destinées à assurer la protection du personnel:
- Si cette unité constitue la seule unité montée en casier, elle doit être placée dans le bas.
 - Si cette unité est montée dans un casier partiellement rempli, charger le casier de bas en haut en plaçant l'élément le plus lourd dans le bas.
 - Si le casier est équipé de dispositifs stabilisateurs, installer les stabilisateurs avant de monter ou de réparer l'unité en casier.
- Warnung** Zur Vermeidung von Körperverletzung beim Anbringen oder Warten dieser Einheit in einem Gestell müssen Sie besondere Vorkehrungen treffen, um sicherzustellen, daß das System stabil bleibt. Die folgenden Richtlinien sollen zur Gewährleistung Ihrer Sicherheit dienen:
- Wenn diese Einheit die einzige im Gestell ist, sollte sie unten im Gestell angebracht werden.
 - Bei Anbringung dieser Einheit in einem zum Teil gefüllten Gestell ist das Gestell von unten nach oben zu laden, wobei das schwerste Bauteil unten im Gestell anzubringen ist.
 - Wird das Gestell mit Stabilisierungszubehör geliefert, sind zuerst die Stabilisatoren zu installieren, bevor Sie die Einheit im Gestell anbringen oder sie warten.
- Avvertenza** Per evitare infortuni fisici durante il montaggio o la manutenzione di questa unità in un supporto, occorre osservare speciali precauzioni per garantire che il sistema rimanga stabile. Le seguenti direttive vengono fornite per garantire la sicurezza personale:
- Questa unità deve venire montata sul fondo del supporto, se si tratta dell'unica unità da montare nel supporto.
 - Quando questa unità viene montata in un supporto parzialmente pieno, caricare il supporto dal basso all'alto, con il componente più pesante sistemato sul fondo del supporto.
 - Se il supporto è dotato di dispositivi stabilizzanti, installare tali dispositivi prima di montare o di procedere alla manutenzione dell'unità nel supporto.
- Advarsel** Unngå fysiske skader under montering eller reparasjonsarbeid på denne enheten når den befinner seg i et kabinett. Vær nøye med at systemet er stabilt. Følgende retningslinjer er gitt for å verne om sikkerheten:
- Denne enheten bør monteres nederst i kabinettet hvis dette er den eneste enheten i kabinettet.
 - Ved montering av denne enheten i et kabinett som er delvis fylt, skal kabinettet lastes fra bunnen og opp med den tyngste komponenten nederst i kabinettet.
 - Hvis kabinettet er utstyrt med stabiliseringsutstyr, skal stabilisatorene installeres før montering eller utføring av reparasjonsarbeid på enheten i kabinettet.
- Aviso** Para se prevenir contra danos corporais ao montar ou reparar esta unidade numa estante, deverá tomar precauções especiais para se certificar de que o sistema possui um suporte estável. As seguintes directrizes ajudá-lo-ão a efectuar o seu trabalho com segurança:
- Esta unidade deverá ser montada na parte inferior da estante, caso seja esta a única unidade a ser montada.
 - Ao montar esta unidade numa estante parcialmente ocupada, coloque os itens mais pesados na parte inferior da estante, arrumando-os de baixo para cima.
 - Se a estante possuir um dispositivo de estabilização, instale-o antes de montar ou reparar a unidade.

- ¡Advertencia!** Para evitar lesiones durante el montaje de este equipo sobre un bastidor, o posteriormente durante su mantenimiento, se debe poner mucho cuidado en que el sistema quede bien estable. Para garantizar su seguridad, proceda según las siguientes instrucciones:
- Colocar el equipo en la parte inferior del bastidor, cuando sea la única unidad en el mismo.
 - Cuando este equipo se vaya a instalar en un bastidor parcialmente ocupado, comenzar la instalación desde la parte inferior hacia la superior colocando el equipo más pesado en la parte inferior.
 - Si el bastidor dispone de dispositivos estabilizadores, instalar éstos antes de montar o proceder al mantenimiento del equipo instalado en el bastidor.
- Varning!** För att undvika kroppsskada när du installerar eller utför underhållsarbete på denna enhet på en ställning måste du vidta särskilda försiktighetsåtgärder för att försäkra dig om att systemet står stadigt. Följande riktlinjer ges för att trygga din säkerhet:
- Om denna enhet är den enda enheten på ställningen skall den installeras längst ned på ställningen.
 - Om denna enhet installeras på en delvis fylld ställning skall ställningen fyllas nedifrån och upp, med de tyngsta enheterna längst ned på ställningen.
 - Om ställningen är försedd med stabiliseringsdon skall dessa monteras fast innan enheten installeras eller underhålls på ställningen.
- Figyelem** A készülék rackbe történő beszerelése és karbantartása során bekövetkező sérülések elkerülése végett speciális óvintézkedésekkel meg kell őrizni a rendszer stabilitását. A személyes biztonsága érdekében tartsa be a következő szabályokat:
- Ha a rackben csak ez az egy készülék található, a rack aljába kell beszerelni.
 - Ha nincs teljesen tele az a rack, amelybe beszerelik a készüléket, alulról fölfelé haladva tölts fel a racket úgy, hogy a legnehezebb készülék kerüljön a rack aljába.
 - Ha stabilizáló eszközök is tartoznak a rackhez, szerelje fel a stabilizátorokat, mielőtt beszerelné az egységet a rackbe, vagy karbantartást végezne rajta.
- Предупреждение** Во избежание травм при монтаже и обслуживании устройства в стойке следует принять особые меры предосторожности, чтобы убедиться в устойчивости оборудования. Для обеспечения безопасности работ необходимо соблюдать следующие правила.
- Если в стойке находится одно устройство, оно должно быть установлено в нижней части.
 - При монтаже устройств в частично заполненную стойку устанавливайте оборудование снизу вверх, размещая наиболее тяжелые устройства в нижней части.
 - Если стойка снабжена приспособлениями для стабилизации, их необходимо установить до начала монтажа или обслуживания оборудования.
- 警告** 为避免在机架中安装或维修该部件时使身体受伤，您必须采取特殊的预防措施确保系统固定。以下是确保安全的原则：
- 如果此部件是机架中唯一的部件，应将其安装在机架的底部。
 - 如果在部分装满的机架中安装此部件，请按从下往上的顺序安装各个部件，并且最重的组件应安装在机架的底部。
 - 如果机架配有固定装置，请先装好固定装置，然后再在机架中安装或维修部件。
- 警告** この装置をラックに設置したり保守作業を行ったりするときは、人身事故を防ぐため、システムが安定しているかどうかを十分に確認する必要があります。次の注意事項に従ってください。
- ラックにこの装置を単独で設置する場合は、ラックの一番下に設置します。
 - ラックに別の装置がすでに設置されている場合は、最も重量のある装置を一番下にして、重い順に下から上へ設置します。
 - ラックに安定器具が付属している場合は、その安定器具を取り付けてから、装置をラックに設置するか、またはラック内の装置の保守作業を行ってください。

- 주의** 이 장치를 랙에 장착하거나 서비스할 때 신체 부상을 방지하려면, 시스템이 안정된 상태를 유지하도록 특별히 주의해야 합니다. 사용자의 안전을 위해 다음 지침 사항을 준수하십시오.
- 이 장치가 랙에 장착되는 유일한 것일 경우, 랙의 맨 아래 부분에 장착되어야 합니다.
 - 부분적으로 차 있는 랙에 이 장치를 장착할 경우, 가장 무거운 장치를 랙의 맨 아래 부분부터 차례로 장착하십시오.
 - 안정기가 랙과 함께 제공되는 경우, 이 안정기를 설치한 후 이 장치를 랙에 장착하거나 서비스하십시오.

Aviso Para evitar lesões corporais ao montar ou dar manutenção a esta unidade em um rack, é necessário tomar todas as precauções para garantir a estabilidade do sistema. As seguintes orientações são fornecidas para garantir a sua segurança:

- Se esta for a única unidade, ela deverá ser montada na parte inferior do rack.
- Ao montar esta unidade em um rack parcialmente preenchido, carregue-o de baixo para cima com o componente mais pesado em sua parte inferior.
- Se o rack contiver dispositivos estabilizadores, instale-os antes de montar ou dar manutenção à unidade existente.

Advarsel For at forhindre legemesbeskadigelse ved montering eller service af denne enhed i et rack, skal du sikre at systemet står stabilt. Følgende retningslinjer er også for din sikkerheds skyld:

- Enheden skal monteres i bunden af dit rack, hvis det er den eneste enhed i raket.
- Ved montering af denne enhed i et delvist fyldt rack, skal enhederne installeres fra bunden og opad med den tungeste enhed nederst.
- Hvis raket leveres med stabiliseringsenheder, skal disse installeres for enheden monteres eller serviceres i raket.

تحذير

لتجنب حدوث أي إصابات عند تركيب هذه الوحدة، يجب اتباع بعض الاحتياطات لضمان عمل النظام بشكل سليم. يتم ذكر الإرشادات التالية لضمان الأمان.

يجب تركيب هذه الوحدة في الجزء السفلي من الدولاب المتضمن قضبان إذا كانت هذه الوحدة هي الوحدة الوحيدة في الدولاب الذي يحتوي على قضبان.

عند تركيب هذه الوحدة في دولاب شبه ممتلئ، قم برفع الدولاب من الجزء السفلي لأعلى بحيث يكون الجزء الأثقل وزناً أسفل الدولاب.

إذا كان الدولاب المتضمن قضباناً يحتوي على أجهزة حفظ التوازن، قم بتثبيت هذه الأجهزة قبل تركيب الوحدة في الدولاب.

Upozorenje Kako ne bi došlo do tjelesnih ozljeda kod postavljanja ili servisiranja uređaja na polici, potrebno je poduzeti mjere predostrožnosti kako bi sustav uvijek bio stabilan. Sigurnost se može osigurati poštivanjem sljedećih smjernica:

- Ovaj uređaj treba ugraditi na dno police, ukoliko je to jedini uređaj na polici.
- Kod ugradnje uređaja u policu na kojoj se već nalaze drugi uređaji, policu treba opremiti počevši od dna, te tako da se na dno stave najteži dijelovi.
- Ukoliko su na polici ugrađeni stabilizatori, njih montirajte prije ugradnje ili servisiranja uređaja na polici.

Upozornění	<p>Abyste předešli poranění osob při montáži nebo opravě zařízení v montážním rámu, musíte dodržovat zvláštní preventivní opatření pro zajištění udržení stability systému. Pro zajištění bezpečnosti obsluhy jsou určeny následující zásady:</p> <ul style="list-style-type: none"> • Pokud je toto zařízení jedinou jednotkou v montážním rámu, musí být namontováno na nejnižší místo rámu. • Pokud je toto zařízení montováno do částečně obsazeného montážního rámu, obsazujte montážní rám ve směru zdola nahoru tak, aby byla nejtěžší součást nejnižší. • Pokud je montážní rám vybaven stabilizačními zařízeními, nainstalujte stabilizátory ještě před montáží nebo opravou zařízení v montážním rámu.
Προειδοποίηση	<p>Για να αποφύγετε τον τραυματισμό κατά την τοποθέτηση ή τη συντήρηση αυτής της συσκευής σε αρθρωτό σύστημα, πρέπει να λάβετε ειδικές προφυλάξεις για να διασφαλίσετε τη σταθερότητα του συστήματος. Οι παρακάτω οδηγίες παρέχονται για να εξασφαλίσουν την ασφάλειά σας:</p> <ul style="list-style-type: none"> • Αυτή η συσκευή πρέπει να τοποθετείται στο κάτω μέρος του αρθρωτού συστήματος αν είναι η μοναδική συσκευή σε αυτό. • Όταν τοποθετείτε αυτήν τη συσκευή σε εν μέρει γεμάτο αρθρωτό σύστημα, τοποθετήστε συσκευές στο αρθρωτό σύστημα από κάτω προς τα επάνω, με τη βαρύτερη συσκευή στο κάτω μέρος του συστήματος. • Εάν το αρθρωτό σύστημα διαθέτει διατάξεις σταθεροποίησης, τοποθετήστε τους σταθεροποιητές πριν τοποθετήσετε ή συντηρήσετε τη συσκευή στο αρθρωτό σύστημα.
אזהרה	<p>כדי למנוע פציעה בעת הרכבת יחידה זו במעמד או טיפול בה, עליך לנקוט אמצעי זהירות מיוחדים כדי להבטיח את יציבות המערכת. הקווים המנחים הבאים ניתנים על מנת להבטיח את ביטחונך:</p> <ul style="list-style-type: none"> • אם יחידה זו היא יחידה בודדת במעמד, יש להרכיב את היחידה בחלקו התחתון של המעמד. • בעת הרכבת יחידה זו במעמד המלא בחלקו, טען את המעמד החל בחלק התחתון וכלפי מעלה כאשר הרכיב הכבד ביותר נמצא בחלקו התחתון של המעמד. • אם המעמד מסופק עם התקני ייצוב, התקן את המייצבים לפני הרכבה היחידה במעמד או טיפול בה.
Opomena	<p>За да се не повредите кога го монтирате или го сервисирате уредот на полица, мора да бидете особено претпазливи за да ја обезбедите стабилноста на системот. Следите напатствија се дадени за да ја осигураат Вашата безбедност:</p> <ul style="list-style-type: none"> • Уредот треба да се монтира најдолу на полицата ако е единствен уред на полицата. • Кога го монтирате уредот на делумно пополнета полица, полнете ја полицата од дното кон врвот со најтешката компонента на дното на полицата. • Ако полицата има стабилизаторски делови, наместете ги стабилизаторите пред да го монтирате или сервисирате уредот на полицата.

- Ostrzeżenie** Aby zapobiec urazom podczas montażu lub serwisowania tego urządzenia w stojaku, należy zastosować szczególne środki ostrożności w celu zapewnienia stabilności układu. Poniżej przedstawiono wskazówki, których przestrzeganie zapewni bezpieczeństwo:
- Jeśli urządzenie to jest jedynym urządzeniem w stojaku, powinno być zamontowane na dole.
 - W przypadku montażu urządzenia w częściowo zapełnionym stojaku należy instalować kolejne urządzenia od najniższego do najwyższego, przy czym element najcięższy powinien być zamontowany najniżej w stojaku.
 - Jeśli stojak jest wyposażony w elementy stabilizujące, należy zamontować stabilizatory przed przystąpieniem do montażu lub serwisowania urządzeń w stojaku.
- Upozornenie** Aby ste predišli poraneniu osôb pri montáži alebo oprave zariadenia v montážnom ráme, musíte dodržiavať zvláštne preventívne opatrenia na zaistenie udržania stability systému. Na zaistenie bezpečnosti obsluhy sú určené nasledujúce zásady:
- Pokiaľ je toto zariadenie jedinou jednotkou v montážnom ráme, musí byť namontované na najnižšie miesto v ráme.
 - Pokiaľ je toto zariadenie montované do čiastočne obsadeného montážneho rámu, obsadzujte montážny rám v smere zdola nahor tak, aby bola najťažšia súčasť najnižšie.
 - Pokiaľ je montážny rám vybavený stabilizačnými zariadeniami, nainštalujte stabilizátory ešte pred montážou alebo opravou zariadenia v montážnom ráme.
-

Figyelem A készülék rackbe történő beszerelése és karbantartása során bekövetkező sérülések elkerülése végett speciális óvintézkedésekkel meg kell őrizni a rendszer stabilitását. A személyes biztonsága érdekében tartsa be a következő szabályokat:

- Ha a rackben csak ez az egy készülék található, a rack aljába kell beszerelni.
- Ha nincs teljesen tele az a rack, amelybe beszerelik a készüléket, alulról fölfelé haladva töltsse fel a racket úgy, hogy a legnehezebb készülék kerüljön a rack aljába.
- Ha stabilizáló eszközök is tartoznak a rackhez, szerelje fel a stabilizátorokat, mielőtt beszerelné az egységet a rackbe, vagy karbantartást végezne rajta.

Предупреждение Во избежание травм при монтаже и обслуживании устройства в стойке следует принять особые меры предосторожности, чтобы убедиться в устойчивости оборудования. Для обеспечения безопасности работ необходимо соблюдать следующие правила.

- Если в стойке находится одно устройство, оно должно быть установлено в нижней части.
- При монтаже устройств в частично заполненную стойку устанавливайте оборудование снизу вверх, размещая наиболее тяжелые устройства в нижней части.
- Если стойка снабжена приспособлениями для стабилизации, их необходимо установить до начала монтажа или обслуживания оборудования.

警告 为避免在机架中安装或维修该部件时使身体受伤，您必须采取特殊的预防措施确保系统固定。以下是确保安全的原则：

- 如果此部件是机架中唯一的部件，应将其安装在机架的底部。
- 如果在部分装满的机架中安装此部件，请按从下往上的顺序安装各个部件，并且最重的组件应安装在机架的底部。
- 如果机架配有固定装置，请先装好固定装置，然后再在机架中安装或维修部件。

警告 この装置をラックに設置したり保守作業を行ったりするときは、人身事故を防ぐため、システムが安定しているかどうかを十分に確認する必要があります。次の注意事項に従ってください。

- ラックにこの装置を単独で設置する場合は、ラックの一番下に設置します。
- ラックに別の装置がすでに設置されている場合は、最も重量のある装置を一番下にして、重い順に下から上へ設置します。
- ラックに安定器具が付属している場合は、その安定器具を取り付けてから、装置をラックに設置するか、またはラック内の装置の保守作業を行ってください。

- 주의** 이 장치를 랙에 장착하거나 서비스할 때 신체 부상을 방지하려면, 시스템이 안정된 상태를 유지하도록 특별히 주의해야 합니다. 사용자의 안전을 위해 다음 지침 사항을 준수하십시오.
- 이 장치가 랙에 장착되는 유일한 것일 경우, 랙의 맨 아래 부분에 장착되어야 합니다.
 - 부분적으로 차 있는 랙에 이 장치를 장착할 경우, 가장 무거운 장치를 랙의 맨 아래 부분부터 차례로 장착하십시오.
 - 안정기가 랙과 함께 제공되는 경우, 이 안정기를 설치한 후 이 장치를 랙에 장착하거나 서비스하십시오.

تحذير لتجنب حدوث أي إصابات عند تركيب هذه الوحدة، يجب اتباع بعض الاحتياطات لضمان عمل النظام بشكل سليم. يتم ذكر الإرشادات التالية لضمان الأمان.

يجب تركيب هذه الوحدة في الجزء السفلي من الدولاب المتضمن قضبان إذا كانت هذه الوحدة هي الوحدة الوحيدة في الدولاب الذي يحتوي على قضبان.

عند تركيب هذه الوحدة في دولاب شبه ممتلئ، قم برفع الدولاب من الجزء السفلي لأعلى بحيث يكون الجزء الأثقل وزناً أسفل الدولاب.

إذا كان الدولاب المتضمن قضباناً يحتوي على أجهزة حفظ التوازن، قم بتثبيت هذه الأجهزة قبل تركيب الوحدة في الدولاب.

- Upozorenje** Kako ne bi došlo do tjelesnih ozljeda kod postavljanja ili servisiranja uređaja na polici, potrebno je poduzeti mjere predostrožnosti kako bi sustav uvijek bio stabilan. Sigurnost se može osigurati poštivanjem sljedećih smjernica:
- Ovaj uređaj treba ugraditi na dno police, ukoliko je to jedini uređaj na polici.
 - Kod ugradnje uređaja u policu na kojoj se već nalaze drugi uređaji, policu treba opremiti počevši od dna, te tako da se na dno stave najteži dijelovi.
 - Ukoliko su na polici ugrađeni stabilizatori, njih montirajte prije ugradnje ili servisiranja uređaja na polici.

- Upozornění** Abyste předešli poranění osob při montáži nebo opravě zařízení v montážním rámu, musíte dodržovat zvláštní preventivní opatření pro zajištění udržení stability systému. Pro zajištění bezpečnosti obsluhy jsou určeny následující zásady:
- Pokud je toto zařízení jedinou jednotkou v montážním rámu, musí být namontováno na nejnižší místo rámu.
 - Pokud je toto zařízení montováno do částečně obsazeného montážního rámu, obsazujte montážní rám ve směru zdola nahoru tak, aby byla nejtěžší součást nejnižší.
 - Pokud je montážní rám vybaven stabilizačními zařízeními, nainstalujte stabilizátory ještě před montáží nebo opravou zařízení v montážním rámu.

Προειδοποίηση	<p>Για να αποφύγετε τον τραυματισμό κατά την τοποθέτηση ή τη συντήρηση αυτής της συσκευής σε αρθρωτό σύστημα, πρέπει να λάβετε ειδικές προφυλάξεις για να διασφαλίσετε τη σταθερότητα του συστήματος. Οι παρακάτω οδηγίες παρέχονται για να εξασφαλίσουν την ασφάλειά σας:</p> <ul style="list-style-type: none"> • Αυτή η συσκευή πρέπει να τοποθετείται στο κάτω μέρος του αρθρωτού συστήματος αν είναι η μοναδική συσκευή σε αυτό. • Όταν τοποθετείτε αυτήν τη συσκευή σε εν μέρει γεμάτο αρθρωτό σύστημα, τοποθετήστε συσκευές στο αρθρωτό σύστημα από κάτω προς τα επάνω, με τη βαρύτερη συσκευή στο κάτω μέρος του συστήματος. • Εάν το αρθρωτό σύστημα διαθέτει διατάξεις σταθεροποίησης, τοποθετήστε τους σταθεροποιητές πριν τοποθετήσετε ή συντηρήσετε τη συσκευή στο αρθρωτό σύστημα.
אזהרה	<p>כדי למנוע פציעה בעת הרכבת יחידה זו במעמד או טיפול בה, עליך לנקוט אמצעי זהירות מיוחדים כדי להבטיח את יציבות המערכת. הקווים המנחים הבאים ניתנים על מנת להבטיח את ביטחונך:</p> <ul style="list-style-type: none"> • אם יחידה זו היא יחידה בודדת במעמד, יש להרכיב את היחידה בחלקו התחתון של המעמד. • בעת הרכבת יחידה זו במעמד המלא בחלקו, טען את המעמד החל בחלק התחתון וכלפי מעלה כאשר הרכיב הכבד ביותר נמצא בחלקו התחתון של המעמד. • אם המעמד מסופק עם התקני ייצוב, התקן את המייצבים לפני הרכבה היחידה במעמד או טיפול בה.
Opomena	<p>За да се не повредите кога го монтирате или го сервисирате уредот на полица, мора да бидете особено претпазливи за да ја обезбедите стабилноста на системот. Следите напатствија се дадени за да ја осигураат Вашата безбедност:</p> <ul style="list-style-type: none"> • Уредот треба да се монтира најдолу на полицата ако е единствен уред на полицата. • Кога го монтирате уредот на делумно пополнета полица, полнете ја полицата од дното кон врвот со најтешката компонента на дното на полицата. • Ако полицата има стабилизаторски делови, наместете ги стабилизаторите пред да го монтирате или сервисирате уредот на полицата.

- Ostrzeżenie** Aby zapobiec urazom podczas montażu lub serwisowania tego urządzenia w stojaku, należy zastosować szczególne środki ostrożności w celu zapewnienia stabilności układu. Poniżej przedstawiono wskazówki, których przestrzeganie zapewni bezpieczeństwo:
- Jeśli urządzenie to jest jedynym urządzeniem w stojaku, powinno być zamontowane na dole.
 - W przypadku montażu urządzenia w częściowo zapełnionym stojaku należy instalować kolejne urządzenia od najniższego do najwyższego, przy czym element najcięższy powinien być zamontowany najniżej w stojaku.
 - Jeśli stojak jest wyposażony w elementy stabilizujące, należy zamontować stabilizatory przed przystąpieniem do montażu lub serwisowania urządzeń w stojaku.
- Upozornenie** Aby ste predišli poraneniu osôb pri montáži alebo oprave zariadenia v montážnom ráme, musíte dodržiavať zvláštne preventívne opatrenia na zaistenie udržania stability systému. Na zaistenie bezpečnosti obsluhy sú určené nasledujúce zásady:
- Pokiaľ je toto zariadenie jedinou jednotkou v montážnom ráme, musí byť namontované na najnižšie miesto v ráme.
 - Pokiaľ je toto zariadenie montované do čiastočne obsadeného montážneho rámu, obsadzujte montážny rám v smere zdola nahor tak, aby bola najťažšia súčasť najnižšie.
 - Pokiaľ je montážny rám vybavený stabilizačnými zariadeniami, nainštalujte stabilizátory ešte pred montážou alebo opravou zariadenia v montážnom ráme.

Equipment Installation Warning



Warning

Only trained and qualified personnel should be allowed to install, replace, or service this equipment. Statement 1030

Waarschuwing

Deze apparatuur mag alleen worden geïnstalleerd, vervangen of hersteld door bevoegd geschoold personeel.

Varoitus

Tämän laitteen saa asentaa, vaihtaa tai huoltaa ainoastaan koulutettu ja laitteen tunteva henkilökunta.

Attention

Il est vivement recommandé de confier l'installation, le remplacement et la maintenance de ces équipements à des personnels qualifiés et expérimentés.

Warnung

Das Installieren, Ersetzen oder Bedienen dieser Ausrüstung sollte nur geschultem, qualifiziertem Personal gestattet werden.

Avvertenza	Questo apparato può essere installato, sostituito o mantenuto unicamente da un personale competente.
Advarsel	Bare opplært og kvalifisert personell skal foreta installasjoner, utskiftninger eller service på dette utstyret.
Aviso	Apenas pessoal treinado e qualificado deve ser autorizado a instalar, substituir ou fazer a revisão deste equipamento.
¡Advertencia!	Solamente el personal calificado debe instalar, reemplazar o utilizar este equipo.
Varning!	Endast utbildad och kvalificerad personal bör få tillåtelse att installera, byta ut eller reparera denna utrustning.
Figyelem	A berendezést csak szakképzett személyek helyezhetik üzembe, cserélhetik és tarthatják karban.
Предупреждение	Установку, замену и обслуживание этого оборудования может осуществлять только специально обученный квалифицированный персонал.
警告	只有经过培训且具有资格的人员才能进行此设备的安装、更换和维修。
警告	この装置の設置、交換、保守は、訓練を受けた相応の資格のある人が行ってください。
주의	교육을 받고 자격을 갖춘 사람만 이 장비를 설치, 교체, 또는 서비스를 수행해야 합니다.
Aviso	Somente uma equipe treinada e qualificada tem permissão para instalar, substituir ou dar manutenção a este equipamento.
Advarsel	Kun uddannede personer må installere, udskifte komponenter i eller servicere dette udstyr.
تحذير	يسمح للمنيين المتخصصين فقط بتركيب المعدة أو استبدالها أو إجراء الصيانة عليها.
Upozorenje	Uređaj smije ugrađivati, mijenjati i servisirati samo za to obučeno i osposobljeno servisno osoblje.
Upozornění	Instalaci, výměnu nebo opravu tohoto zařízení směji provádět pouze proškolené a kvalifikované osoby.
Προειδοποίηση	Η τοποθέτηση, η αντικατάσταση και η συντήρηση του εξοπλισμού επιτρέπεται να γίνονται μόνο από καταρτισμένο προσωπικό με τα κατάλληλα προσόντα.
אזהרה	

Equipment Installation Warning

Оророна	Местењето, заменувањето и сервисирањето на оваа опрема треба да му биде дозволено само на обучен и квалификуван персонал.
Ostrzeżenie	Do instalacji, wymiany i serwisowania tych urządzeń mogą być dopuszczone wyłącznie osoby wykwalifikowane i przeszkolone.
Upozornenie	Inštaláciu, výmenu alebo opravu tohto zariadenia smú vykonávať iba vyškolené a kvalifikované osoby.
<hr/>	
Figyelem	A berendezést csak szakképzett személyek helyezhetik üzembe, cserélhetik és tarthatják karban.
Предупреждение	Установку, замену и обслуживание этого оборудования может осуществлять только специально обученный квалифицированный персонал.
警告	只有经过培训且具有资格的人员才能进行此设备的安装、更换和维修。
警告	この装置の設置、交換、保守は、訓練を受けた相応の資格のある人が行ってください。
주의	교육을 받고 자격을 갖춘 사람만 이 장비를 설치, 교체, 또는 서비스를 수행해야 합니다.
تحذير	يسمح للفنيين المتخصصين فقط بتركيب المعدة أو استبدالها أو إجراء الصيانة عليها.
Upozorenje	Uređaj smije ugrađivati, mijenjati i servisirati samo za to obučeno i osposobljeno servisno osoblje.
Upozornění	Instalaci, výměnu nebo opravu tohoto zařízení smějí provádět pouze proškolené a kvalifikované osoby.
Προειδοποίηση	Η τοποθέτηση, η αντικατάσταση και η συντήρηση του εξοπλισμού επιτρέπεται να γίνονται μόνο από καταρτισμένο προσωπικό με τα κατάλληλα προσόντα.
התראה	
Оророна	Местењето, заменувањето и сервисирањето на оваа опрема треба да му биде дозволено само на обучен и квалификуван персонал.

- Ostrzeżenie** Do instalacji, wymiany i serwisowania tych urządzeń mogą być dopuszczone wyłącznie osoby wykwalifikowane i przeszkolone.
- Upozornenie** Inštaláciu, výmenu alebo opravu tohto zariadenia smú vykonávať iba vyškolené a kvalifikované osoby.
-

Battery Handling



Warning

There is the danger of explosion if the battery is replaced incorrectly. Replace the battery only with the same or equivalent type recommended by the manufacturer. Dispose of used batteries according to the manufacturer's instructions. Statement 1015

Waarschuwing

Er is ontploffingsgevaar als de batterij verkeerd vervangen wordt. Vervang de batterij slechts met hetzelfde of een equivalent type dat door de fabrikant aanbevolen is. Gebruikte batterijen dienen overeenkomstig fabrieksvoorschriften weggegooid te worden.

Varoitus

Räjähdyksen vaara, jos akku on vaihdettu väärään akkuun. Käytä vaihtamiseen ainoastaan samantai vastaavantyyppistä akkua, joka on valmistajan suosittelema. Hävitä käytetyt akut valmistajan ohjeiden mukaan.

Attention

Danger d'explosion si la pile n'est pas remplacée correctement. Ne la remplacer que par une pile de type semblable ou équivalent, recommandée par le fabricant. Jeter les piles usagées conformément aux instructions du fabricant.

Warnung

Bei Einsetzen einer falschen Batterie besteht Explosionsgefahr. Ersetzen Sie die Batterie nur durch den gleichen oder vom Hersteller empfohlenen Batterietyp. Entsorgen Sie die benutzten Batterien nach den Anweisungen des Herstellers.

Avvertenza

Pericolo di esplosione se la batteria non è installata correttamente. Sostituire solo con una di tipo uguale o equivalente, consigliata dal produttore. Eliminare le batterie usate secondo le istruzioni del produttore.

Advarsel

Det kan være fare for eksplosjon hvis batteriet skiftes på feil måte. Skift kun med samme eller tilsvarende type som er anbefalt av produsenten. Kasser brukte batterier i henhold til produsentens instruksjoner.

Aviso

Existe perigo de explosão se a bateria for substituída incorrectamente. Substitua a bateria por uma bateria igual ou de um tipo equivalente recomendado pelo fabricante. Destrua as baterias usadas conforme as instruções do fabricante.

¡Advertencia!

Existe peligro de explosión si la batería se reemplaza de manera incorrecta. Reemplazar la batería exclusivamente con el mismo tipo o el equivalente recomendado por el fabricante. Desechar las baterías gastadas según las instrucciones del fabricante.

Battery Handling

Varning! Explosionsfara vid felaktigt batteribyte. Ersätt endast batteriet med samma batterityp som rekommenderas av tillverkaren eller motsvarande. Följ tillverkarens anvisningar vid kassering av använda batterier.

Figyelem Robbanásveszélyt idézhet elő, ha helytelenül cserélik ki az akkumulátort. Csak a gyártó által javasolttal megegyező vagy azzal egyenértékű típusúra cserélje ki az akkumulátort! A használt akkumulátorok kidobásakor tartsa be a gyártó előírásait!

Предупреждение При неправильной замене батареи возможен взрыв. Для замены следует использовать батарею того же или аналогичного типа, рекомендованного изготовителем. Утилизацию батареи необходимо производить в соответствии с указаниями изготовителя.

警告 電池更換不當會有爆炸危險。請只用同類電池或製造商推薦的功能相當的電池更換原有電池。請按製造商的說明處理廢舊電池。

警告 不適切なバッテリーに交換すると、爆発の危険性があります。製造元が推奨するものと同じまたは同等のバッテリーだけを使用してください。使用済みのバッテリーは、製造元が指示する方法に従って処分してください。

警告 電池替換錯誤可能會發生爆炸。僅限以製造商建議的同樣或同款電池替換，並遵照製造商的指示處理使用過的電池。

Figyelem Robbanásveszélyt idézhet elő, ha helytelenül cserélik ki az akkumulátort. Csak a gyártó által javasolttal megegyező vagy azzal egyenértékű típusúra cserélje ki az akkumulátort! A használt akkumulátorok kidobásakor tartsa be a gyártó előírásait!

Предупреждение При неправильной замене батареи возможен взрыв. Для замены следует использовать батарею того же или аналогичного типа, рекомендованного изготовителем. Утилизацию батареи необходимо производить в соответствии с указаниями изготовителя.

警告 電池更換不當會有爆炸危險。請只用同類電池或製造商推薦的功能相當的電池更換原有電池。請按製造商的說明處理廢舊電池。

警告 不適切なバッテリーに交換すると、爆発の危険性があります。製造元が推奨するものと同じまたは同等のバッテリーだけを使用してください。使用済みのバッテリーは、製造元が指示する方法に従って処分してください。

警告 電池替換錯誤可能會發生爆炸。僅限以製造商建議的同樣或同款電池替換，並遵照製造商的指示處理使用過的電池。

Product Disposal


Warning

Ultimate disposal of this product should be handled according to all national laws and regulations.
Statement 1040

Waarschuwing

Het uiteindelijke wegruimen van dit product dient te geschieden in overeenstemming met alle nationale wetten en reglementen.

Varoitus

Tämä tuote on hävitettävä kansallisten lakien ja määräysten mukaisesti.

Attention

La mise au rebut ou le recyclage de ce produit sont généralement soumis à des lois et/ou directives de respect de l'environnement. Renseignez-vous auprès de l'organisme compétent.

Warnung

Die Entsorgung dieses Produkts sollte gemäß allen Bestimmungen und Gesetzen des Landes erfolgen.

Avvertenza

Lo smaltimento di questo prodotto deve essere eseguito secondo le leggi e regolazioni locali.

Advarsel

Endelig kassering av dette produktet skal være i henhold til alle relevante nasjonale lover og bestemmelser.

Aviso

Deitar fora este produto em conformidade com todas as leis e regulamentos nacionais.

¡Advertencia!

Al deshacerse por completo de este producto debe seguir todas las leyes y reglamentos nacionales.

Varning!

Vid deponering hanteras produkten enligt gällande lagar och bestämmelser.

Figyelem

A készülék végső elhelyezéséről az adott országban érvényes törvények és előírások szerint kell intézkedni.

Предупреждение

Окончательная установка данного изделия должна выполняться в соответствии со всеми региональными и местными правилами и нормами.

警告

本产品的废弃处理应根据所有国家的法律和规章进行。

警告

この製品を廃棄処分する際は、各国の法律および規制に従って取り扱ってください。

주의

시스템을 전원에 연결하기 전에 설치 지침을 읽으십시오.

Aviso

O descarte definitivo deste produto deve estar de acordo com todas as leis e regulamentações nacionais.

Advarsel

Endelig bortskaffelse af dette produkt skal ske i henhold til gældende love og regler.

Product Disposal

تحذير عند التخلص من المنتج يجب اتباع القوانين والتشريعات المحلية.

Upozorenje Zbrinjavanje ovoga proizvoda u otpad treba provesti u skladu s važećim zakonima i odredbama.

Upozornění **Upozornění: Likvidace tohoto výrobku musí být provedena podle platných zákonů a předpisů.**

Προειδοποίηση Η τελική απόρριψη αυτού του προϊόντος πρέπει να γίνεται σύμφωνα με όλους τους εθνικούς νόμους και κανονισμούς.

אזהרה סילוק סופי של מוצר זה חייב להיות בהתאם להנחיות ולחוקי המדינה.

Opomena Крајното фрлање на овој производ треба да се изврши во согласност со сите национални закони и прописи.

Ostrzeżenie **Ostateczna likwidacja tego urządzenia po jego wycofaniu z eksploatacji powinna odbywać się zgodnie z przepisami krajowymi.**

Upozornenie **Upozornenie Likvidácia tohto výrobku musí byť vykonaná podľa platných zákonov a predpisov.**

Opozorilo **Uničenje izdelka, ki ni več uporaben, mora potekati po državnih zakonih in predpisih.**

警告 本產品的最終處理必須遵照國家/地區的所有法律與法規。

Figyelem **A készülék végső elhelyezéséről az adott országban érvényes törvények és előírások szerint kell intézkedni.**

Предупреждение Окончательная установка данного изделия должна выполняться в соответствии со всеми региональными и местными правилами и нормами.

警告 本產品的廢棄處理應根據所有國家的法律和規章進行。

警告 この製品を廃棄処分する際は、各国の法律および規制に従って取り扱ってください。

주의 해당 국가의 관련 법규 및 규정에 따라 이 장치를 폐기해야 합니다.

تحذير	عند التخلص من المنتج يجب اتباع القوانين والتشريعات المحلية.
Upozorenje	Zbrinjavanje ovoga proizvoda u otpad treba provesti u skladu s važećim zakonima i odredbama.
Upozornění	Upozornění: Likvidace tohoto výrobku musí být provedena podle platných zákonů a předpisů.
Προειδοποίηση	Η τελική απόρριψη αυτού του προϊόντος πρέπει να γίνεται σύμφωνα με όλους τους εθνικούς νόμους και κανονισμούς.
אזהרה	סילוק סופי של מוצר זה חייב להיות בהתאם להנחיות ולחוקי המדינה.
Opomena	Krajnoto frplaње na ovoj proizvod treba da se izvrši vo soglasnost so site nacionalni zakoni i propisi.
Ostrzeżenie	Ostateczna likwidacja tego urządzenia po jego wycofaniu z eksploatacji powinna odbywać się zgodnie z przepisami krajowymi.
Upozornenie	Upozornenie Likvidácia tohto výrobku musí byť vykonaná podľa platných zákonov a predpisov.
Opozorilo	Uničenje izdelka, ki ni več uporaben, mora potekati po državnih zakonih in predpisih.
警告	本產品的最終處理必須遵照國家/地區的所有法律與法規。

Power Cable and AC Adapter

接続ケーブル、電源コード、ACアダプタなどの部品は、必ず添付品または指定品をご使用ください。添付品・指定品以外の部品をご使用になると故障や動作不良、火災の原因となります。また、電気用品安全法により、当該法の認定（PSEとコードに表記）でなくUL認定（ULとコードに表記）の電源ケーブルは弊社が指定する製品以外の電気機器には使用できないためご注意ください。

Statement 371



APPENDIX **C**

Regulatory Information

This appendix provides regulatory information for the Cisco Prime Network Control System Appliance.

FCC Statement for Cisco Prime Network Control System Appliance

This equipment has been tested and found to comply with the limits for a Class A digital device, pursuant to Part 15 of the FCC Rules. These limits are designed to provide reasonable protection against harmful interference when the equipment is operated in a commercial environment. This equipment generates, uses, and can radiate radio frequency energy and, if not installed and used in accordance with the instruction manual, may cause harmful interference to radio communications. Operation of this equipment in a residential area is likely to cause harmful interference in which case the user will be required to correct the interference at his own expense.

Declaration of Conformity with Regard to the EU Directive 1999/5/EC (R&TTE Directive)

This declaration is only valid for configurations (combinations of software, firmware and hardware) provided and/or supported by Cisco Systems. The use software or firmware not supported/provided by Cisco Systems may result that the equipment is no longer compliant with the regulatory requirements.

Statement 191—VCCI Class A Warning for Japan

**Warning**

This is a Class A product based on the standard of the VCCI Council. If this equipment is used in a domestic environment, radio interference may occur, in which case, the user may be required to take corrective actions.

警告

この装置は、クラスA情報技術装置です。この装置を家庭環境で使用すると電波妨害を引き起こすことがあります。この場合には使用者が適切な対策を講ずるよう要求されることがあります。

VCCI-A