



## **MME Administration Guide, StarOS Release 21.28**

**First Published:** 2022-09-29

**Last Modified:** 2024-04-30

### **Americas Headquarters**

Cisco Systems, Inc.  
170 West Tasman Drive  
San Jose, CA 95134-1706  
USA  
<http://www.cisco.com>  
Tel: 408 526-4000  
800 553-NETS (6387)  
Fax: 408 527-0883

THE SPECIFICATIONS AND INFORMATION REGARDING THE PRODUCTS IN THIS MANUAL ARE SUBJECT TO CHANGE WITHOUT NOTICE. ALL STATEMENTS, INFORMATION, AND RECOMMENDATIONS IN THIS MANUAL ARE BELIEVED TO BE ACCURATE BUT ARE PRESENTED WITHOUT WARRANTY OF ANY KIND, EXPRESS OR IMPLIED. USERS MUST TAKE FULL RESPONSIBILITY FOR THEIR APPLICATION OF ANY PRODUCTS.

THE SOFTWARE LICENSE AND LIMITED WARRANTY FOR THE ACCOMPANYING PRODUCT ARE SET FORTH IN THE INFORMATION PACKET THAT SHIPPED WITH THE PRODUCT AND ARE INCORPORATED HEREIN BY THIS REFERENCE. IF YOU ARE UNABLE TO LOCATE THE SOFTWARE LICENSE OR LIMITED WARRANTY, CONTACT YOUR CISCO REPRESENTATIVE FOR A COPY.

The Cisco implementation of TCP header compression is an adaptation of a program developed by the University of California, Berkeley (UCB) as part of UCB's public domain version of the UNIX operating system. All rights reserved. Copyright © 1981, Regents of the University of California.

NOTWITHSTANDING ANY OTHER WARRANTY HEREIN, ALL DOCUMENT FILES AND SOFTWARE OF THESE SUPPLIERS ARE PROVIDED "AS IS" WITH ALL FAULTS. CISCO AND THE ABOVE-NAMED SUPPLIERS DISCLAIM ALL WARRANTIES, EXPRESSED OR IMPLIED, INCLUDING, WITHOUT LIMITATION, THOSE OF MERCHANTABILITY, FITNESS FOR A PARTICULAR PURPOSE AND NON-INFRINGEMENT OR ARISING FROM A COURSE OF DEALING, USAGE, OR TRADE PRACTICE.

IN NO EVENT SHALL CISCO OR ITS SUPPLIERS BE LIABLE FOR ANY INDIRECT, SPECIAL, CONSEQUENTIAL, OR INCIDENTAL DAMAGES, INCLUDING, WITHOUT LIMITATION, LOST PROFITS OR LOSS OR DAMAGE TO DATA ARISING OUT OF THE USE OR INABILITY TO USE THIS MANUAL, EVEN IF CISCO OR ITS SUPPLIERS HAVE BEEN ADVISED OF THE POSSIBILITY OF SUCH DAMAGES.

Any Internet Protocol (IP) addresses and phone numbers used in this document are not intended to be actual addresses and phone numbers. Any examples, command display output, network topology diagrams, and other figures included in the document are shown for illustrative purposes only. Any use of actual IP addresses or phone numbers in illustrative content is unintentional and coincidental.

All printed copies and duplicate soft copies of this document are considered uncontrolled. See the current online version for the latest version.

Cisco has more than 200 offices worldwide. Addresses and phone numbers are listed on the Cisco website at [www.cisco.com/go/offices](http://www.cisco.com/go/offices).

Cisco and the Cisco logo are trademarks or registered trademarks of Cisco and/or its affiliates in the U.S. and other countries. To view a list of Cisco trademarks, go to this URL: <https://www.cisco.com/c/en/us/about/legal/trademarks.html>. Third-party trademarks mentioned are the property of their respective owners. The use of the word partner does not imply a partnership relationship between Cisco and any other company. (1721R)

© 2022-2024 Cisco Systems, Inc. All rights reserved.



## CONTENTS

---

### PREFACE

<b>About this Guide</b>	<b>iv</b>
Conventions Used	<b>iv</b>
Supported Documents and Resources	<b>lvi</b>
Related Common Documentation	<b>lvi</b>
Related Product Documentation	<b>lvii</b>
Obtaining Documentation	<b>lvii</b>
Contacting Customer Support	<b>lvii</b>

---

### CHAPTER 1

<b>Mobility Management Entity Overview</b>	<b>1</b>
Product Description	<b>1</b>
Qualified Platforms	<b>3</b>
Licenses	<b>3</b>
Network Deployment and Interfaces	<b>3</b>
MME in the E-UTRAN/EPC Network	<b>3</b>
Supported Logical Network Interfaces (Reference Points)	<b>5</b>
Features and Functionality - Base Software	<b>11</b>
3GPP R8 Identity Support	<b>12</b>
ANSI T1.276 Compliance	<b>12</b>
APN Restriction Support	<b>13</b>
Authentication and Key Agreement (AKA)	<b>13</b>
Backup and Recovery of Key KPI Statistics	<b>13</b>
Bulk Statistics Support	<b>14</b>
Cell Broadcast Center - SBc Interface	<b>15</b>
Closed Subscriber Groups	<b>15</b>
Co-Located SPGW Selection for Emergency Bearer	<b>15</b>
Congestion Control	<b>16</b>

Controlling Voice Over PS Session in S1 Mode	16
Define Same TAI in Multiple TAI Lists	17
Delay Value IE Support in MME	17
eCGI in PLA/RR Messages	17
Emergency Call Release	18
Emergency Session Support	18
EPS Bearer Context Support	18
EPS GTPv2 Support on S11 Interface	19
ERAB Setup Retry Handling	20
Handling the TAU and Location Update Request/Response	20
HSS Support Over S6a Interface	20
IE-Extension Support for Bearers SubjectToStatusTransfer_Item	21
IMSI Manager Scaling	22
Inter-MME Handover Support	23
Interworking Support	23
Interworking with SGSNs	23
Handover Support for S4-SGSNs	24
Unoptimized Non-3GPP Handover Support	24
IPv6 PDN Type Restriction	25
IPv6 Support	26
MME Interfaces Supporting IPv6 Transport	27
Load Balancing	27
Load Re-balancing	27
Local Cause Code Mapping	28
Management System Overview	28
MME Double Counting Statistics of DECOR Rerouted Attach Accept	28
MMEMgr Scaling to Support VPC-DI and USP	28
MME Pooling	29
MME Selection	29
Mobile Equipment Identity Check	30
Mobility Restriction	30
Handover Restriction	30
Regional Zone Code Restriction	30
Monitor Protocol Support for DCNR	30

Multiple PDN Support	31
NAS Protocol Support	31
EPS Mobility Management (EMM)	31
EPS Session Management (ESM)	31
NAS Signaling Security	31
NB-IOT EDRX Supported values in ATTACH/TAU Accept	32
Network Sharing	32
Operator Policy Support	32
Operator Policy Selection Based on IMEI-TAC	33
Overload Control	33
PDN Type Control	33
Packet Data Network Gateway (P-GW) Selection	34
Radio Resource Management Functions	34
RAN Information Management	34
Reachability Management	35
SCTP Multi-homing Support	35
SCTP Dual Stack Support	35
Serving Gateway Pooling Support	35
Serving Gateway Selection	36
Session and Quality of Service Management	36
Session Tracing	36
State-Location Information Retrieval Flag	37
Target Access Restricted for the Subscriber Cause Code	37
Threshold Crossing Alerts (TCA) Support	37
Tracking Area List Management	38
UMTS to LTE ID Mapping	39
VoLTE Offloading	39
VoLTE Support based on UEs SRVCC Capability	40
Features and Functionality - Licensed Enhanced Feature Software	40
Feature Description	40
Attach Rate Throttling	41
Cell Traffic Trace	41
CSFB and SMS over SGs Interface	41
CSFB and SRVCC for CDMA	41

Customized Inter-MME SGW S1-Handover and TAU Procedure for PS-LTE Support	42
DDN Throttling	42
Enhanced Congestion Control and Overload Control	42
Feature Description	43
HSS-based P-CSCF Restoration	43
Idle-mode Signaling Reduction	44
IP Security (IPSec)	44
IPNE Service Support	45
Lawful Intercept	46
Location Services	46
MBMS for MME (eMBMS)	46
MME Handling of PGW Restart	46
MME Message Rate Control	48
S1 Paging Rate Limit	48
Pacing UE Deactivation	48
MME Restoration - Standards Extension	48
MME/VLR Restoration Procedure via Alternate MME	49
ULA for Periodic TAU when VLR Inaccessible	49
MTC Features	49
Network Provided Location Info for IMS	49
Optimized Paging Support	50
Overcharging Protection	51
Operator Specific QCI	51
Separate Configuration for GTPC Echo and GTPC Non-Echo Messages	51
Session Recovery Support	51
SGSN-MME Combo Optimization	52
Single Radio Voice Call Continuity Support	52
MSC Fallback on Sv Interface	52
Subscribed Periodic TAU Timer	53
Support for Reject Causes with MM and SM Back Off Timers	53
User Location Information Reporting	55
VLR Management	56
How the MME Works	57
EPS Bearer Context Processing	57

Purge Procedure	57
Paging Procedure	57
Subscriber-initiated Initial Attach Procedure	57
Subscriber-initiated Detach Procedure	60
Service Request Procedures	61
UE-initiated Service Request Procedure	61
Network-initiated Service Request Procedure	62
Supported Standards	64
3GPP References	64
IETF References	65
Object Management Group (OMG) Standards	68
<hr/>	
<b>CHAPTER 2</b>	<b>Mobility Management Entity Configuration 69</b>
Configuring the System as a Standalone MME (base configuration)	70
Information Required	70
Required MME Context Configuration Information	70
Required MME Policy Configuration Information	73
How This Configuration Works	74
MME Configuration	75
Creating and Configuring the MME Context and Service	76
Creating and Configuring the eGTP Service and Interface Association	77
Creating and Configuring the HSS Peer Service and Interface Associations	78
Configuring Dynamic Destination Realm Construction for Foreign Subscribers	79
Configuring Optional Features on the MME	80
Configuring Differentiation Between HeNB-GW and eNodeBs	80
Configuring Dual Address Bearers	81
Configuring Dynamic Peer Selection	81
Configuring Emergency Session Support	82
Configuring ESM T3396 Timer	83
Configuring Gn/Gp Handover Capability	84
Configuring Inter-MME Handover Support	84
Configuring X.509 Certificate-based Peer Authentication	85
Configuring Dynamic Node-to-Node IP Security on the S1-MME Interface	86
Creating and Configuring an IPSec Transform Set	87

- Creating and Configuring an IKEv2 Transform Set 87
- Creating and Configuring a Crypto Template 88
- Binding the S1-MME IP Address to the Crypto Template 88
- Configuring ACL-based Node-to-Node IP Security on the S1-MME Interface 88
  - Creating and Configuring a Crypto Access Control List 89
  - Creating and Configuring an IPSec Transform Set 89
  - Creating and Configuring an IKEv2 Transform Set 89
  - Creating and Configuring a Crypto Map 90
- Configuring Mobility Restriction Support 91
  - Configuring Inter-RAT Handover Restrictions on the MME 91
  - Configuring Location Area Handover Restrictions on the MME 91
  - Configuring Tracking Area Handover Restrictions on the MME 92
- Configuring S4-SGSN Handover Capability 92
- Configuring SCTP Multi-homing Support 93
  - Configuring SCTP Multi-homing on the S1-MME Interface 93
  - Configuring SCTP Multi-homing on the S6a Interface 93
  - Configuring S6a SCTP and Application Timers for Multi-homing 94
  - Configuring SCTP Multi-homing on the SGs Interface 95
  - SCTP Parameters for MME 95
- Configuring Static S-GW Pools 97
  - Creating and Configuring a TAI Management Database and Object 97
  - Associating a TAI Management Database with an MME Service 98
  - Associating a TAI Management Database with a Call Control Profile 98
- Configuring UMTS to LTE ID Mapping 98
- Configuring User Location Information Reporting Support 99

---

**CHAPTER 3**

**128K eNodeB Connections 101**

- Feature Description 101
- Configuring Rate Limit for S1 SCTP Connections from eNodeB 102
- Monitoring and Troubleshooting 102

---

**CHAPTER 4**

**5G Capable SPGW Selection by MME 103**

- Feature Summary and Revision History 103
- Feature Description 104



Configuring 5G Capable SPGW Selection by MME	104
collocated-node, ue-usage-type in apn-profile mode	104
collocated-node, ue-usage-type in mme-service mode	104
collocated-node, ue-usage-type in lte-emergency-profile mode	105
collocated-node, ue-usage-type in tai-mgmt-obj mode	105
Monitoring and Troubleshooting	106
Show Commands and Outputs	106

**CHAPTER 5****Customized Interface Between MME/SGSN and GMPC 109**

Feature Summary and Revision History	109
Feature Description	110
How it Works	110
Enabling GMPC Event-Report-Connection under Context	111
Configuring GMPC Multiple/Single	111
Enabling GMPC Event-Report-Connection under Call-Control-Profile	111
Binding GMPC Server Interface	112
Show Commands and Outputs	112

**CHAPTER 6****5G NSA for MME 115**

Feature Summary and Revision History	115
Feature Description	116
How It Works	119
Architecture	119
Limitations	120
Flows	120
Initial Registration Procedure	120
E-RAB Modification Procedure	123
Standards Compliance	125
Configuring 5G NSA for MME	125
Enabling DCNR in MME Service	125
Enabling DCNR in Call Control Profile	126
Configuring APN AMBR Values	126
Enabling Secondary RAT Data Usage Report in Call Control Profile	127
Enabling Secondary RAT Data Usage Report in MME Service	127

- Configuring Pre-Release 8 QoS Mapping QCI 128
- Configuring Dedicated Bearer MBR Values 129
- Configuring Dedicated Bearer MBR Values 129
- Configuring UE AMBR Values 130
- Monitoring and Troubleshooting 130
  - Show Commands and Outputs 130
  - Bulk Statistics 136
    - MME Schema 136
    - TAI Schema 141

**CHAPTER 7**

**5GS Interworking using N26 Interface Support 143**

- Feature Summary and Revision History 143
- Feature Description 144
- License Requirements 146
- How it Works 146
  - Handover Cancellation Procedure 159
  - EPS Fallback for IMS Voice Support 160
  - Combined PGW-C and SMF Selection Procedure 160
  - EPS to 5Gs Mobility Procedure without n1 Mode Support 161
    - Feature Description 161
    - Disabling EPS to 5G Mobility without n1 Mode 161
    - Disabling EPS to 5Gs Mobility in Call Control Profile 162
  - Limitations 162
  - Supported Standards 163
- Configuring N26 Interface for MME 163
  - Configuring 5GS Interworking using N26 Interface in Call Control Profile 163
  - Configuring 5GS Interworking using N26 Interface in MME Service 164
  - Peer AMF Configuration 165
    - Configuring DNS Peer AMF 166
- Monitoring and Troubleshooting 167
  - Show Commands and Outputs 167
    - show mme-service statistics output 167
    - show mme-service statistics recovered-values output 168
    - show mme-service statistics 5gs-interworking 168

show call-control-profile full name	169
show mme-service all	170
show session disconnect-reasons	170
show configuration verbose	171
Bulk Statistics	174
MME Schema	174

---

<b>CHAPTER 8</b>	<b>Adding Cause Code 38 to Bulkschema Counters</b>	<b>177</b>
	Feature Summary and Revision History	177
	Feature Description	178
	Verifying the Added Bulk Statistics Network Failure in EMM and ESM MME-Service Statistics	178
	Monitoring and Troubleshooting	178
	Show Commands and Outputs	178
	Bulk Statistics	179

---

<b>CHAPTER 9</b>	<b>Adding Discrete eNB IDs to eNB Group in MME</b>	<b>181</b>
	Feature Summary and Revision History	181
	Feature Description	182
	Adding Discrete eNB IDs to eNB Group in MME	182
	Adding the eNB Group	182
	Adding the eNB ID List in the eNB Group	183
	Monitoring and Troubleshooting	183
	Show Commands and Outputs	183

---

<b>CHAPTER 10</b>	<b>A-MSISDN Functionality</b>	<b>185</b>
	Feature Description	185
	How It Works	185
	Limitations	186
	Standards Compliance	186
	Configuring A-MSISDN Functionality	186
	Configuring A-MSISDN Support	186
	Verifying the A-MSISDN Support Configuration	187
	Configuring 3GPP Release 11 AVP Support	187
	Monitoring and Troubleshooting the A-MSISDN Functionality	187

Show Command(s) and/or Outputs 187  
 show mme-service session full all 187

---

**CHAPTER 11**      **Access Restriction based on Regional Zone Code 189**

Feature Description 189  
 How It Works 189  
     Standards Compliance 192  
     Limitations 192  
 Configuring Access Restriction based on Regional Zone Code 193  
     Verifying Access Restriction based on Regional Zone Codes 195  
 Monitoring and Troubleshooting Access Restriction based on Regional Zone Codes 195  
     Show Command(s) and/or Outputs 195

---

**CHAPTER 12**      **APN Override 197**

Feature Description 197  
 How it Works 198  
     Network Identifier (NI) Overriding 198  
     Operator Identifier (OI) Overriding 198  
     Charging Characteristics Overriding 198  
 Configuring APN Override 198  
     Before You Begin 198  
     Configuring Network Identifier Override 199  
     Configuring Operator Identifier Override 199  
     Configuring Charging Characteristics Override 200  
     Enabling MME to Send UE Requested APN 200  
     Rejecting UE Requested APN with Non-standard Characters 201  
     Remapping UE Requested APN with Non-standard Characters 201  
     Verifying the APN Override Configuration 202  
 Monitoring and Troubleshooting the APN Override Feature 202  
     show configuration 202  
     show mme-service all 203  
     show mme-service session full { all | imsi | mme-service } 203

---

**CHAPTER 13**      **APN-OI based P-GW Selection 205**

Feature Summary and Revision History	205
Feature Description	205
APN-OI Based P-GW Selection Configuration	206
Modifying Operator Identifier	206

**CHAPTER 14****Auto Disable of Paging During MME Manager CPU Congestion** 207

Feature Summary and Revision History	207
Feature Description	208
Configuring MME Paging	208
Configuring Congestion Control	208
Configuring Critical Paging Events	209
Monitoring and Troubleshooting	210
Show Commands and Outputs	210
show mme-service statistics paging-profile profile-name <paging_profile_name>	210
show mme-service statistics	210
show session subsystem facility mmemgr all	211
Bulk Statistics	211

**CHAPTER 15****Backup and Recovery of Key KPI Statistics** 213

Feature Description	213
How It Works	213
Architecture	214
Limitations	214
Configuring Backup Statistics Feature	215
Configuration	215
Verifying the Backup Statistics Feature Configuration	215
Managing Backed-up Statistics	216

**CHAPTER 16****Cause Code #66** 217

Feature Description	217
How It Works	217
Standards Compliance	218
Configuring PDP Activation Restriction and Cause Code Values	218
Configuring PDP Activation Restriction	218

- Configuring SM Cause Code Mapping for SGSN 219
- Configuring ESM Cause Code Mapping for ESM Procedures (for MME) 219
- Configuring EMM and ESM Cause Code Mapping for EMM Procedures (for MME) 220
- Configuring ESM Cause Code Mapping for ESM Procedures (MME Service Configuration Mode) 220
- Configuring EMM and ESM Cause Code Mapping for EMM Procedures (MME Service Configuration Mode) 221
- Verifying the Feature Configuration 221
- Monitoring and Troubleshooting the Cause Code Configuration 222
  - Show Command(s) and/or Outputs 222
    - show gmm-sm statistics verbose 222
  - Bulk Statistics 223

**CHAPTER 17**

**CE Mode-B Device Support 225**

- Feature Summary and Revision History 225
- Feature Description 226
- How it Works 226
  - Default EMM/ESM Timer Values 227
  - Standards Compliance 228
- Configuring CE Mode-B Devices 228
  - Creating an Access Policy 228
  - Creating an Access Profile 229
  - Associating Access-Policy to Call Control Profile 229
  - Associating Access-Policy to MME Service 230
  - Configuring EMM Timer Configuration in Access Profile 230
  - Configuring ESM Timer Configuration in Access Profile 231
  - Configuring Session Setup Timer in Access Profile 232
  - Configuring the Device Type and RAT Type 233
- Monitoring and Troubleshooting 233
  - Show Commands and/or Outputs 233
    - show access-policy full all 234
    - show access-profile full name <profile\_name> 234
    - show call-control-profile full name <profile\_name> 234
    - show mme-service name <mme\_svc\_name> 234
    - show mme-service session full all 234

show mme-service statistics	235
Bulk Statistics	235

**CHAPTER 18****Cell Broadcast Center - SBc Interface 237**

Feature Summary and Revision History	237
Feature Description	238
How It Works	238
DSCP Marking for SBc Interface	239
Warning Message Call Flows	239
Limitations	239
Standards Compliance	240
Configuring SBc Interface	240
Creating and Configuring SBc Service	240
Associating the SBc Service with the MME Service	241
Configuring ENB Response Aggregate Timer	241
Configuring Send Warning Indication	241
Verifying the SBc Service Configuration	242
Monitoring SBc Services	242
SNMP Traps	242
SBc Bulk Statistics	243
SBc Service Show Commands and Outputs	243
Event Logging	243

**CHAPTER 19****Cell Traffic Trace 245**

Feature Summary and Revision History	245
Feature Description	246
Real Time Cell Traffic Tracing	246
How It Works	247
Architecture	247
Real Time Cell Traffic Tracing	249
Limitations	250
Standards Compliance	250
Configuring Cell Traffic Trace	251
Configuring Trace Files Storage	251

Configuring Cell Traffic Trace Template - Archiving and Compressing Trace Files 251

Enabling Cell Traffic Tracing 252

Configuring Cell Trace Module 253

Verifying the Cell Traffic Trace Configuration 256

Monitoring and Troubleshooting the Cell Traffic Trace 256

Cell Traffic Trace Show Command(s) and/or Outputs 256

    show cell-trace-module file-space-usage 256

    show cell-trace-module statistics 257

    show mme-service name <mme\_svc\_name> 257

    show session trace statistics 258

---

**CHAPTER 20**

**Closed Subscriber Groups 259**

    Feature Description 259

    How It Works 259

        Access Control 259

            SIAP Messaging 260

            S6a Messaging 261

        CSG Notification to S-GW/P-GW 261

        CSG Status Communication to Peer MME/SGSN 262

        Message Flows 262

    Configuring Closed Subscriber Groups 264

        Verifying the Closed Subscriber Groups Configuration 264

    Monitoring and Troubleshooting Closed Subscriber Groups 265

---

**CHAPTER 21**

**Collision Handling for Path Update during Bearer Creation 267**

    Feature Summary and Revision History 267

    Feature Description 268

---

**CHAPTER 22**

**Controlling IMS Voice Over PS Session in S1 Mode 269**

    Feature Summary and Revision History 269

    Feature Changes 270

    Command Changes 270

        ims-apn 270

    Performance Indicator Changes 270



show call-control-profile full all 270

---

**CHAPTER 23**      **Counters for Reason 50/51 on MME and TAI Level 271**

Feature Summary and Revision History 271

Feature Description 271

Show Commands and Outputs 272

    Bulk Statistics 272

        MME Schema 272

        TAI Schema 272

---

**CHAPTER 24**      **CSFB and SMS over SGs Interface 273**

Feature Summary and Revision History 273

Feature Description 274

Supported Features 274

    DSCP Marking for SGs Interface 276

How It Works 276

    Preparation Phase 276

    Execution Phase: Mobile Terminated Calls 276

    Execution Phase: Mobile Originated Calls 277

    Reject Paging Request for Active Emergency VoLTE Call 277

Configuring CSFB over SGs 277

---

**CHAPTER 25**      **CSFB for 1xRTT 279**

CSFB for 1xRTT Feature Description 279

    Supported Features 279

        DSCP Marking for S102 Interface 280

    Relationships to Other Features 280

How It Works 281

    S1-App 281

    S102-App 281

    MME-App 282

    Other Support Functions 282

    Architecture 283

    Flows 283

- Limitations 283
- Standards Compliance 283
- Configuring CSFB for 1xRTT 284
  - Configuring the S102 Service 284
    - Verify the S102 Service Configuration 285
  - Associating the S102 Service 285
    - Verifying the S102 Association 286
  - Configuring MSC Selection 286
    - Verifying Pool and Non-Pool Area Configuration 288
  - Allowing CSFB and/or SMS-only in the Operator Policy 288
    - Verifying the Call-Control Profile Configuration 289
- Monitoring and Troubleshooting the CSFB for 1xRTT 289
  - Monitoring Protocol 289
  - Show Command(s) and/or Outputs 289
  - Bulk Statistics 289
  - Traps 290

---

**CHAPTER 26**

- ERAB Release if any ERAB Switch Fails 291**
  - Feature Summary and Revision History 291
  - Feature Description 291
  - How It Works 292
    - Flows 292

---

**CHAPTER 27**

- DDN Throttling 295**
  - Feature Description 295
  - How It Works 295
    - Limitations 297
    - Standards Compliance 297
  - Configuring DDN Throttling 297
    - Configuring DDN Throttling Factor and Throttling Delay 297
      - reject 297
      - ddn sgw-throttling 298
    - Verifying the DDN Throttling Configuration 298
  - Monitoring and Troubleshooting DDN Throttling 299

DDN Throttling Show Command(s) and/or Outputs	299
show congestion-control statistics mme	299

**CHAPTER 28**

<b>Dedicated Core Networks on MME</b>	<b>301</b>
Feature Summary and Revision History	301
Feature Description	302
Overview	303
External Interfaces	303
DNS	303
S6a (HSS) Interface	304
GTPv2 (MME or S4-SGSN)	305
How It Works	305
Flows	306
P-GW Selection based on ULAs UE Usage Type	306
UE Assisted Dedicated Core Network Selection	306
UE Usage Type Deletion by DSR Flag	306
NAS Message Redirection Procedure	306
ATTACH/TAU Procedure	307
HSS Initiated Dedicated Core Network Reselection	310
Impact to Handover Procedures	311
Roaming	312
Network Sharing	312
Limitations	312
Standards Compliance	312
Configuring DECOR on MME	312
Configuring custom-actions ula gw-selection	313
Configuring DECOR Profile	314
Associating a DECOR Profile under MME Service	315
Associating a DECOR Profile under Call Control Profile	316
Configuring nas-reroute reject	316
Configuring UE Usage Type over S6a Interface under MME Service	317
Configuring UE Usage Type over S6a Interface under Call Control Profile	317
Configuring UE Usage Type under Call Control Profile	317
Configuring Non-Broadcast TAI	318

- Monitoring and Troubleshooting 318
  - Show Commands and/or Outputs 318
    - show decor-profile full all 318
    - show mme-service all 319
    - show mme-service name <mme\_svc\_name> 319
    - show mme-service session full all 319
    - show mme-service statistics decor decor-profile <decor\_profile\_name> 319
    - show mme-service statistics decor 322
    - show mme-service statistics 324
    - show mme-service statistics recovered-values 326
  - Bulk Statistics 327
    - MME Schema 327
    - MME Decor Schema 331

---

CHAPTER 29

- Default APN for DNS Failure 335**
  - Feature Description 335
    - Relationships to Other Features 335
  - How It Works 336
    - Architecture 336
    - Standards Compliance 337
  - Configuring Default APN for DNS Failure 337
    - Enabling 'require-dns-fail-wildcard' 337
    - Associating the APN Remap Table with the Operator Policy 338
    - Assigning Subscribers to the Operator Policy 338
    - Associating the Subscriber's Map with the MME Service 338
    - Verifying the Feature's Configuration 338

---

CHAPTER 30

- Differential Charging with 5G NSA 341**
  - Feature Summary and Revision History 341
  - Feature Description 342
    - Standards Compliance 342
  - How it Works 342
    - Initial Attach over S11 Interface 343
    - Adding a Secondary Node 344

Modifying a Secondary Node	345
Secondary Node Release Procedure	346
Secondary Node Change	347
Tracking Area Update without SGW change	348
Tracking Area Update with SGW Change	350
Service Request	351
Inter-Master Node Handover with or without Secondary Node Change	352
Master Node to eNB / gNB Change	352
eNB or gNB to Master Node Change	353
S1 Handover with MME Change	354
S1 Release	356
Configuring gNB S1-U IP Addresses	356
Associating pra-profile dcnr-5g-radio with mme-service	359
Monitoring and Troubleshooting	359
Show Commands and Outputs	359
show lte-policy pra-profile dcnr-5g-radio full all	359
show mme-service all	360
show mme-service session full	360
show mme-service statistics verbose	360
Bulk Statistics	362
show mme-service statistics	362

---

**CHAPTER 31**

<b>Dynamic TAI List</b>	<b>363</b>
Feature Summary and Revision History	363
Feature Description	364
Limitation	364
Configuring dynamic-tal in mme-service and call-control-profile	365
show call-control-profile all	365
Monitoring and Troubleshooting	366
Show Commands and Output	366
show mme-service all	366
show mme-service statistics tai	366
show mme-service statistics	366
Bulk Statistics	367

MME-Schema 367  
 TAI Schema 368

**CHAPTER 32**

**eDRX Support on the MME 369**

- Feature Summary and Revision History 369
- Feature Description 370
- How eDRX Works 371
  - eDRX Parameters 372
  - Loose Hyper SFN Synchronization 373
  - Paging and Paging Retransmission Strategy 373
  - Limitations and Restrictions 373
  - Standards Compliance 374
- Configuring eDRX on the MME 374
  - Enabling eDRX on MME 374
  - Configuring Hyper SFN Synchronization 375
    - Configuring Hyper-SFN Synchronization Start Time 375
    - Configuring Hyper-SFN Synchronization Reference Time 376
  - Verifying H-SFN Synchronization 379
  - Configuring the T3415 eDRX Timer 379
    - Configuring the T3415 eDRX Timer in LTE Paging Profile Configuration Mode 379
- Configuring NB-IoT in UE Context 380
- Monitoring and Troubleshooting eDRX 380
  - Show Commands and Outputs 381
    - show mme-service session full all | grep Paging 382
  - Bulk Statistics 388
  - Diameter Attributes 389

**CHAPTER 33**

**Emergency Bearer Services 391**

- Feature Description 391
  - Feature Capabilities 391
    - UE capabilities 391
- Interdependences 394
  - Regional Zone Code Restriction 394
  - Load Rebalancing 394

SRVCC	394
CSFB	394
Gn/Gp Interface	395
Operator Policy	395
Interface	395
S11	395
NAS	395
S3/S10	395
S6A	395
How It Works	396
Call Flows	396
	396
Limitations	396
Standards Compliance	397
Configuring Emergency Bearer Service	397
Configuring Emergency Bearer Service Parameters	397
Disabling Emergency Bearer Services	398
Verifying the Emergency Bearer Service Configuration	398
Monitoring and Troubleshooting the Emergency Bearer Services	399
Emergency Bearer Services Show Command(s) and/or Outputs	399
show lte-policy tai-mgmt-db name db_name	399
show mme-service statistics mme-service mmesvc	399
Emergency Bearer Services Bulk Statistics	400

---

**CHAPTER 34**
**Enabling EMM and ESM Cause Code Mapping 401**

Feature Summary and Revision History	401
Feature Description	402
Enabling EMM/ESM Cause Code Mapping (Cause Code 27) under MME-Service	402
Enabling EMM/ESM Cause Code Mapping (Cause Code 27) under Call Control Profile	402
Show Commands and Outputs	403

---

**CHAPTER 35**
**eNB Group Based Relative Capacity Transmission 405**

Feature Summary and Revision History	405
Feature Description	406

Configuring eNodeB Group Based Relative Capacity Support 406  
     relative-mme-capacity 406  
 Monitoring and Troubleshooting 406  
     Show Commands and Outputs 406

---

**CHAPTER 36**

**Enhanced Congestion Control and Overload Control 409**

Feature Description 409  
     Enhanced Congestion Control and Overload Control 409  
     Relationships to Other Features 410  
     Limitations 410  
 Configuring Enhanced Congestion Control 410  
     Configuring Enhanced Congestion Control 410  
         Configuring Thresholds and Tolerances 411  
         Configuring a Congestion Action Profile 413  
         Associating a Congestion Action Profile with Congestion Control Policies 413  
         Configuring Overload Control 413  
         Configuring Enhanced Congestion SNMP Traps 414  
     Verifying the Congestion Control Configuration 414  
     Verifying Congestion Action Profiles 415  
 Monitoring and Troubleshooting 416  
     Congestion Control Show Command(s) and/or Outputs 416  
         show congestion-control statistics mme 416  
         show congestion-control statistics mme 416

---

**CHAPTER 37**

**Enhanced Multimedia Priority Service (eMPS) 419**

Feature Description 419  
 How it Works 419  
     Limitations 421  
     Standards Compliance 422  
 Configuring Enhanced Multimedia Priority Service 422  
     Configuring MPS in EPS Domain 422  
     Configuring Paging Priority 422  
     Configuring Precedence 423  
     Configuring HO Restriction 423



Sample configuration	424
Verifying the Configuration	424
Monitoring and Troubleshooting	425
Show Command(s) and/or Outputs	425
show mme-service service_name peer-id id statistics	425
show session subsystem facility mmemgr	425
show lte-policy paging-map name	425
show mme-service statistics	426
show call-control-profile full all	426
Enhanced Multimedia Priority Support Bulk Statistics	426
Troubleshooting	429

---

**CHAPTER 38**

<b>Failure Counters for CSFB MT Counters</b>	<b>431</b>
Feature Summary and Revision History	431
Feature Description	432
Monitoring and Troubleshooting	432
Show Command and Output	432
Bulk Statistics	434

---

**CHAPTER 39**

<b>Enhanced Whitelisting in MME</b>	<b>437</b>
Feature Summary and Revision History	437
Feature Description	438
How it Works	438
IMSI Group	438
MSISDN Group	438
Configuring IMSI Group	439
Configuring Discrete IMSI Numbers	439
Configuring IMSI Range	439
Associating IMSI Group and IMEI-TAC Group with Operator Policy	440
Verifying IMSI Group Configuration	440
Configuring MSISDN Group	440
Configuring Discrete MSISDN Numbers	441
Configuring MSISDN Range	441
Associating MSISDN Group and IMEI-TAC Group with Operator Policy	441

Verifying MSISDN Group Configuration 442

Configuring Operator Policy based on IMSI Group and MSISDN Group 442

    Associating IMSI Group with Operator Policy 442

    Associating IMSI Group in Combination with IMEI-TAC with Operator Policy 442

    Associating MSISDN Group with Operator Policy 443

    Associating MSISDN Group in Combination with IMEI-TAC with Operator Policy 443

---

**CHAPTER 40**

**Enhanced Event Logging 445**

Feature Summary and Revision History 445

Feature Description 446

How Event Logging Works 447

    Architecture 447

    Support to Add Two Additional Attributes in EDR 454

    Customization of Attributes and Events in EDR Profile 454

        Feature Description 454

        Configuring EDR Profile for Set of Attributes and Events 455

        Associating EDR-Profile with Call-Control-Profile 455

        Show Command and Output 455

    Limitations 456

    Relationship with Other Products 457

Configuring Event Logging 457

    Enabling Event Logging 457

    Enabling EDR Logs 458

    Configuring File Parameters 458

    EDR Profile Association 458

    Verifying the Event Logging Configuration 458

Monitoring and Troubleshooting Event Logging 459

    Event Logging Show Command(s) and/or Outputs 459

        show call-control-profile full all 459

        show edr-profile full all 459

        show cdr statistics 460

---

**CHAPTER 41**

**Events Monitoring 461**

Feature Summary and Revision History 461

Feature Description	462
How it Works	469
Limitations	479
Supported Standards	479
Common Procedures and Parameters for Monitoring Events	479
Configuring MME Services and Call Control Profiles	481
Enabling the CLI monitoring-events in a Call Control Profile	481
Associating Monitoring Events Profile under Call Control Profile	482
Configuring Monitoring Events for an MME Service	482
Associating Monitoring Events Profile under MME Service	482
Verifying the CLI monitoring-events in an MME Service	483
Configuring Monitoring Events Profile	483
Configuring monitoring-event-profiles	483
Configuring External-identifier in lte-policy	487
Enabling external-identifier	487
Configuring congestion-action-profile for Monitoring Events	487
Enabling a congestion-action-profile Condition for Monitoring Events	487
Monitoring and Troubleshooting	488
Show Commands and Outputs	488
show mme-service statistics	488
show lte-policy monitoring-event-profile	490
Bulk Statistics	491
MME Schema	491

---

<b>CHAPTER 42</b>	<b>Excluding SGWs During Relocation Procedures</b>	<b>493</b>
	Feature Summary and Revision History	493
	Feature Description	494
	Configuration to Exclude SGWs During Relocation Procedures	494
	attach-only	494
	Monitoring and Troubleshooting	494
	Show Commands and Outputs	494

---

<b>CHAPTER 43</b>	<b>Foreign PLMN GUTI Management</b>	<b>495</b>
	Feature Description	495

How it Works	495
Configuring Foreign PLMN GUTI Management	496
Creating a Foreign PLMN GUTI Management Database	496
Configuring Foreign PLMN GUTI Management Database Entries	496
Associating an MME Service with a Foreign PLMN GUTI Management Database	497
Verifying the Configuration	497
Monitoring Foreign PLMN GUTI Management	498
Show Command(s) and/or Outputs	498
show session disconnect-reasons	498
Bulk Statistics	498

**CHAPTER 44****GMLC Interworking Support 499**

Feature Summary and Revision History	499
Feature Description	500
GMLC Interworking Support Configuration	500
Including Experimental Result Code in PLA	500
Monitoring and Troubleshooting	500
Show Commands and Outputs	501

**CHAPTER 45****GTP-C Load and Overload Control on MME 503**

Feature Description	503
Overview	504
Relationships to Other Features	505
How it Works	505
Limitations	505
Standards Compliance	505
Configuring GTP-C Load and Overload Control on MME	505
Configuring GTP-C Load or Overload Control Profile	505
Configuring Usage of GTP-C Load Information in SGW/PGW Selection	506
Configuring MME Manager and IMSI Manager CPU Utilization to Calculate Overload Factor	506
Sample Configuration	507
Verifying the Configuration	508
Monitoring and Troubleshooting the GTP-C Load and Overload Control Feature	508
Troubleshooting	508

---

<b>CHAPTER 46</b>	<b>GTPV1/V2 Echo Support for Peer MME and SGSN</b>	<b>513</b>
	Feature Summary and Revision History	513
	Feature Description	514
	Configuring GTPV1/V2 Echo Support for Peer MME and SGSN	514
	Configuring Path Management for Peer MME	514
	Configuring Path Management for Peer SGSN	515
	Monitoring and Troubleshooting	515
	Show Commands and Outputs	516

---

<b>CHAPTER 47</b>	<b>GUTI Re-allocation</b>	<b>519</b>
	Feature Description	519
	Overview	519
	How It Works	519
	Limitations	520
	Flows	520
	Configuring GUTI Re-allocation	521
	Monitoring and Troubleshooting GUTI Re-allocation	521
	GUTI Re-allocation Show Command(s) and/or Outputs	522
	show call-control-profile full all	522
	show session disconnect-reasons verbose	522
	show mme-service statistics	522
	show mme-service db record all	522
	show mme-service db record imsi	523
	GUTI Re-allocation Bulk Statistics	523

---

<b>CHAPTER 48</b>	<b>Heuristic and Intelligent Paging</b>	<b>525</b>
	Feature Description	525
	How It Works	526
	Heuristic Paging	526
	Intelligent Paging	527
	Configuring MME Paging Features	527
	Configuring Heuristic Paging	527
	Configuring Intelligent Paging	527

- Creating and Configuring the Paging-Profile 528
- Creating and Configuring the Paging-Map 528
- Enable Heuristic Paging with Paging-Map (Intelligent Paging) 529
- Verifying the Paging Configuration 529
- Monitoring and Troubleshooting the MME Paging Features 529
- Paging Bulk Statistics 529
- Paging Show Command(s) and/or Outputs 535

---

**CHAPTER 49**      **HSS and AuC Interworking Configuration Enhancement 537**

- Feature Summary and Revision History 537
- Feature Description 538

---

**CHAPTER 50**      **HSS-based P-CSCF Restoration 539**

- Feature Description 539
- How It Works 539
  - Architecture 540
  - Flows 540
- Configuring HSS-based P-CSCF Restoration 543
  - Configuring P-CSCF Restoration and Restoration Method 543
    - Setting Up P-CSCF Restoration 543
  - Verifying the HSS-based P-CSCF Restoration Configuration 544
- Monitoring and Troubleshooting the HSS-based P-CSCF Restoration 544
  - HSS-based P-CSCF Restoration Show Command(s) and/or Outputs 544
    - show mme-service statistics 544
  - HSS-based P-CSCF Restoration Bulk Statistics 545

---

**CHAPTER 51**      **Idle-mode Signaling Reduction 547**

- Feature Description 547
- How it Works 547
  - ISR Activation 547
  - ISR Deactivation 549
  - ISR Behavior with Circuit Switched Fallback 550
  - Standards Compliance 550
- Configuring ISR 550

Verifying ISR Configuration	550
Monitoring and Troubleshooting ISR	551
ISR Bulk Statistics	551
ISR Show Command(s) and/or Outputs	552

---

<b>CHAPTER 52</b>	<b>IMEI Check during Periodic TAU Support for NB IoT Devices</b>	<b>555</b>
	Feature Summary and Revision History	555
	Feature Changes	556
	Command Changes	556
	imei-query-type verify-equipment-identity	556

---

<b>CHAPTER 53</b>	<b>Implicit Update Location to HSS</b>	<b>557</b>
	Feature Summary and Revision History	557
	Feature Description	558
	Configuring Implicit Update Location to HSS	558
	Enabling Implicit Update Location to HSS	558
	Monitoring and Troubleshooting	559
	Show Commands and Outputs	559
	show call-control-profile full all	559
	Bulk Statistics	559
	HSS Schema Statistics	559

---

<b>CHAPTER 54</b>	<b>IMSI Manager Overload Control</b>	<b>561</b>
	Feature Description	561
	Monitoring and Troubleshooting IMSI Manager Overload Control	562
	Show Command(s) and/or Outputs	562
	show demuxmgr statistics imsimgr all	562

---

<b>CHAPTER 55</b>	<b>IMSI Manager Scaling on the MME</b>	<b>563</b>
	Feature Description	563
	Overview	563
	Relationships to Other Features	564
	How It Works	564
	Configuring IMSI Manager Scaling	565

- Configuring Support for Multiple IMSIMgrs 565
- Verifying the IMSI Mgr Scaling Configuration 566
- Configuring IMSIMgr Audit 567
- Monitoring and Troubleshooting the IMSIMgr Scaling 567
  - Displaying IMSIMgr Instance Information 567
    - Displaying IMSIMgr Selection Counter Information 567
    - Displaying IMSIMgr Instance Information in the SNMP Trap 567
  - Bulk Statistics 568

---

**CHAPTER 56**      **No IMSI or MSISDN Included in LRR for VoLTE EM Call from User of Foreign Network 569**

- Feature Summary and Revision History 569
- Feature Changes 570
- Command Changes 570

---

**CHAPTER 57**      **Integrity and Confidentiality Algorithms for UE 571**

- Feature Description 571
- Configuration Information 572

---

**CHAPTER 58**      **IPNE Service 573**

- Feature Description 573
- How It Works 574
  - IPNE 574
- Configuring MME Use of IPNE 574
  - Configuring IPNE Service 574
  - Configuring the IPNE Endpoint 575
  - Configuring the Association with MME Service 575
- Monitoring and Troubleshooting the IPNE Service 575
  - Show Command(s) and/or Outputs 575
    - show ipne peers { all | service | summary } 576
    - show ipne statistics { all | service | summary } 576
    - show bulkstats variables mme 577

---

**CHAPTER 59**      **Limiting the Number of SGWs Tried 579**

- Feature Description 579



How It Works	580
Configuring a Limit to the Number of SGWs Tried	580

---

**CHAPTER 60**      **Load Balancing and Rebalancing and VoLTE Offloading**    **583**

Feature Description	583
Load Balancing	583
Load Rebalancing	583
VoLTE Offloading	583
Relationships to Other Features	584
How it Works	584
Load Balancing	584
Load Rebalancing	584
VoLTE Offloading	585
Configuring Load Balancing and Rebalancing	586
Configuring Load Balancing	586
Verifying Load Balancing	587
Performing Load Rebalancing (UE Offloading)	587
Verifying Load Rebalancing (UE Offloading)	587
Configuring VoLTE Offloading	588
Verifying VoLTE Offloading	588
Monitoring and Troubleshooting	588
Show Command(s) and/or Outputs	588

---

**CHAPTER 61**      **Local Emergency Numbers List**    **591**

Feature Description	591
How It Works	591
Limitations	592
Standards Compliance	592
Configuring Local Emergency Number List IE	592
Configuring Local Emergency Numbers	592
Verifying the Local Emergency Numbers List IE Configuration	593

---

**CHAPTER 62**      **Location Services**    **595**

Location Services - Feature Description	595
---	-----

- How Location Services Works 595
  - Architecture 596
  - Supported Functionality 597
    - DSCP Marking for SLs Interface 598
    - Limitations 598
  - Flows 599
  - Standards Compliance 601
- Configuring Location Services (LCS) 601
  - Creating and Configuring a Location Service 602
  - Associate the MME Service with the Location Service 602
  - Associate the LTE Emergency Profile with the Location Service 602
  - Map the MSC ID 603
  - Enabling the Subscriber Location Report Message Trigger 603
    - Verifying the Configuration 604
  - Verifying the LCS Configuration 604
- Monitoring Location Services (LCS) 604
  - LCS Bulk Statistics 604
  - LCS Show Commands 605
  - Event Logging 605
- Configuring the SLs Interface 605
  - Creating and Configuring the SLs Service 605
  - Associating the SLs Service with the Location Service 606
  - Configuring LCS QoS for Emergency Sessions 606
  - Verifying the SLs Service Configuration 606
- Monitoring SLs Services 607
  - SNMP Traps 607
  - SLs Bulk Statistics 607
  - SLs Service Show Commands 607
  - Event Logging 608

---

CHAPTER 63

- Mapped-UE-Usage-Type IE Support in MME 609**
  - Feature Summary and Revision History 609
  - Feature Description 610
  - Configuring Mapped-UE-Usage-Type IE Support in MME 610

decor send-ue-usage-type-in-csr	610
Monitoring and Troubleshooting	610
Show Commands and Outputs	610

---

<b>CHAPTER 64</b>	<b>MBMS for MME (eMBMS)</b>	<b>611</b>
	Feature Description	611
	How It Works	614
	Configuring MME-eMBMS Service	624
	Managing/Troubleshooting the eMBMS on the MME	625

---

<b>CHAPTER 65</b>	<b>MEC Location Management</b>	<b>631</b>
	Feature Summary and Revision History	631
	Feature Description	632
	How It Works	632
	Architecture	632
	Flows	632
	Configuring MEC Support	635
	Configuring up-address in TAI Management DB	636
	Configuring up-address in MEC TAI Group	636
	Configuring tai in MEC TAI Group	636
	Configuring up-service-area-change	637
	Monitoring and Troubleshooting	637
	Show Commands and Outputs	638
	Bulk Statistics	638

---

<b>CHAPTER 66</b>	<b>MME Masked IMEISV</b>	<b>641</b>
	Feature Summary and Revision History	641
	Feature Description	642
	Enabling and Disabling Masked IMEISV	642

---

<b>CHAPTER 67</b>	<b>MME Bearer Request Message During Handover Process</b>	<b>643</b>
	Feature Summary and Revision History	643
	Overview	644
	How It Works	644

Updating Bearer Response During 3G to 4G GnGp HO and TAU Process 645  
 Show Commands and Outputs 645

---

**CHAPTER 68**      **MME Clear Subscriber Enhancement 647**  
     Feature Summary and Revision History 647  
     Feature Description 648  
     MME Clear-Subscriber Enhancement 648  
         Configuring Clear Subscriber MME-Only 648  
     Monitoring and Troubleshooting 648  
         Show Commands and Outputs 648  
         Bulkstatistics 649

---

**CHAPTER 69**      **MME MDT Management Support 651**  
     Feature Summary and Revision History 651  
     Feature Description 652  
     Configuring MDT Management 652  
         Configuring MME Minimization Drive Test 652  
     Monitoring and Troubleshooting 652  
         Show Commands and Outputs 652

---

**CHAPTER 70**      **MME-MEF Interface 653**  
     Feature Summary and Revision History 653  
     Feature Description 654  
     How It Works 654  
         Architecture 654  
         Limitations 657  
     Configuring MME MEF Interface 658  
         Configuring egtp-mef-service 658  
         Configuring Peer MEF Address 658  
     Monitoring and Troubleshooting 659  
         Show Commands and Outputs 659

---

**CHAPTER 71**      **MME Support for EN-DC SON Configuration Transfer IE on S1-AP 661**  
     Feature Summary and Revision History 661

Feature Description	662
Monitoring and Troubleshooting	662
Show Commands and Outputs	662

---

**CHAPTER 72****MME Support on VPC-SI 665**

Feature Summary and Revision History	665
Feature Description	665

---

**CHAPTER 73****MO Voice Call and MO Exception Data Support 667**

Feature Summary and Revision History	667
Feature Description	668
How It Works	668
Limitations	668
Configuring MO Voice and MO Exception Data Support	668
Configuring MO Exception Data Reporting Threshold Value	668
Monitoring and Troubleshooting	669
Show Commands and Outputs	669

---

**CHAPTER 74****NAS Signaling Security 671**

Feature Summary and Revision History	671
Feature Description	672
Configuring NAS Signaling Security	672
Configuring LTE Encryption Algorithm in Call Control Profile	672
Configuring LTE Encryption Algorithm in MME Service	673
Configuring LTE Integrity Algorithm in Call Control Profile	674
Configuring LTE Integrity Algorithm in MME Service	675
Monitoring and Troubleshooting	676
Show Commands and Outputs	676
show call-control-profile full all	676
show mme-service all	677

---

**CHAPTER 75****NB-IoT and Low Power Session Counters 679**

Feature Summary and Revision History	679
Feature Description	680

Monitoring and Troubleshooting 680

    Show Commands and/or Outputs 680

        show mme-service statistics 680

    Bulk Statistics 680

**CHAPTER 76**

**5GS Interworking using N26 Interface Support 681**

Feature Summary and Revision History 681

Feature Description 682

License Requirements 684

How it Works 684

    Handover Cancellation Procedure 697

    EPS Fallback for IMS Voice Support 698

    Combined PGW-C and SMF Selection Procedure 698

    EPS to 5Gs Mobility Procedure without n1 Mode Support 699

        Feature Description 699

        Disabling EPS to 5G Mobility without n1 Mode 699

        Disabling EPS to 5Gs Mobility in Call Control Profile 700

    Limitations 700

    Supported Standards 701

Configuring N26 Interface for MME 701

    Configuring 5GS Interworking using N26 Interface in Call Control Profile 701

    Configuring 5GS Interworking using N26 Interface in MME Service 702

    Peer AMF Configuration 703

    Configuring DNS Peer AMF 704

Monitoring and Troubleshooting 705

    Show Commands and Outputs 705

        show mme-service statistics output 705

        show mme-service statistics recovered-values output 706

        show mme-service statistics 5gs-interworking 706

        show call-control-profile full name 707

        show mme-service all 708

        show session disconnect-reasons 708

        show configuration verbose 709

    Bulk Statistics 712

MME Schema 712

---

**CHAPTER 77**

**Operator Policy 715**

- What Operator Policy Can Do 715
  - A Look at Operator Policy on an SGSN 715
  - A Look at Operator Policy on an S-GW 716
- The Operator Policy Feature in Detail 716
  - Call Control Profile 716
  - APN Profile 717
  - IMEI-Profile (SGSN only) 718
  - APN Remap Table 718
  - Operator Policies 719
  - IMSI Ranges 720
- How It Works 720
- Operator Policy Configuration 720
  - Call Control Profile Configuration 721
    - Configuring the Call Control Profile for an SGSN 721
    - Configuring the Call Control Profile for an MME or S-GW 722
  - APN Profile Configuration 722
  - IMEI Profile Configuration - SGSN only 723
  - APN Remap Table Configuration 723
  - Operator Policy Configuration 724
  - IMSI Range Configuration 724
    - Configuring IMSI Ranges on the MME or S-GW 724
    - Configuring IMSI Ranges on the SGSN 725
  - Associating Operator Policy Components on the MME 725
  - Configuring Accounting Mode for S-GW 725
- Verifying the Feature Configuration 726

---

**CHAPTER 78**

**Operator Specific QCI 727**

- Feature Description 727
- Configuring Operator Specific QCI 729
- Monitoring and Troubleshooting Operator Specific QCI 731

---

<b>CHAPTER 79</b>	<b>Operator Policy Selection Based on IMEI-TAC 733</b>
	Feature Description 733
	How It Works 734
	Configuring Operator Policy Selection Based on IMEI-TAC 735
	Configuring the Operator Policy(s) and Call Control Profile(s) 735
	Configuring Policy Selection for Normal 4G Attach/TAU 735
	Configuring IMEI-TAC based Selection of the Operator Policy 736
	Verifying the Configuration 738
	Monitoring and Troubleshooting the Operator Policy Selection Based on IMEI-TAC 738
	Verify Configuration 738

---

<b>CHAPTER 80</b>	<b>Overcharging Protection 739</b>
	Feature Description 739
	Relationships to Other Features 739
	How It Works 740
	Call Flows 740
	Configuring Overcharge Protection 741
	Enabling Overcharging Protection 741
	Configuring SIAP Cause Code Group and Cause Code 741
	Verifying the Overcharge Protection Configuration 741

---

<b>CHAPTER 81</b>	<b>Paging Priority IE Support 743</b>
	Feature Description 743
	Architecture 744
	How It Works 744
	Limitations 746
	Standards Compliance 746
	Configuring Paging Priority Support for CSFB Calls 747
	Configuring Paging Priority Support for Mobile Terminating CSFB calls 747
	Configuring MPS CS priority subscription override for Mobile Originating CSFB calls 747
	Monitoring and Troubleshooting the Paging Priority Support for CSFB Calls 748
	Paging Priority Support Show Command(s) and/or Outputs 748
	show call-control profile full all 748



Support and Troubleshooting Information 749

---

**CHAPTER 82**

**Paging Statistics per TAI 751**

Feature Summary and Revision History 751

Feature Changes 752

---

**CHAPTER 83**

**Power Saving Mode (PSM) in UEs 771**

Feature Summary and Revision History 771

Feature Description 772

How It Works 774

Limitations 775

Standards Compliance 775

Configuring UE Power Saving Mode 775

Monitoring and Troubleshooting 776

Show Command(s) and/or Outputs 776

UE Power Saving Mode Bulk Statistics 777

Diameter Attributes 777

Troubleshooting 778

---

**CHAPTER 84**

**QoS Profile Support 781**

Feature Description 781

How It Works 781

Operational Controls 781

Flow for 4G QoS Control on Subscribed QoS Received from HSS 782

Flow for 4G QoS Control on QoS Received from PGW for non-GBR Default and Dedicated Bearers 783

Flow for 4G QoS Control on QoS Received from PGW for GBR Dedicated Bearers 785

Limitations 787

Standards Compliance 788

Configuring QoS Profile and Bearer Control Profile 788

Creating the QoS Profile 788

Creating the Bearer Control Profile 788

Mapping QCI or QCI Range to the Bearer Control Profile 789

Configuring Rejection of Bearer Establishment per QCI 790

Configuring APN-AMBR Capping 791

Configuring ARP / GBR / MBR / QCI Capping for Dedicated/Default Bearers 792

Verifying the Configuration for the QoS Profile 795

Verifying the Configuration for the Bearer Control Profile 795

Associating the QoS Profile with an APN Profile 796

    Verifying the Association Configuration 797

Monitoring and Troubleshooting the QoS/Bearer Control Profiles 797

---

**CHAPTER 85**      **S10/S3-S11 Interface Separation 799**

    Feature Summary and Revision History 799

    Feature Description 800

    How It Works 800

        Flows 800

        Limitations 800

    Configuring S10/S3 Interface Separation 800

        egtp-s10-s3-service 801

    Monitoring and Troubleshooting 801

        Show Commands and Outputs 801

---

**CHAPTER 86**      **S13 Additional IMEI Check 803**

    Feature Description 803

    How It Works 803

    Configuration 805

    Monitoring and Troubleshooting 807

---

**CHAPTER 87**      **SBC Message Size 809**

    Feature Summary and Revision History 809

    Feature Changes 810

    Performance Indicator Changes 810

        show snmp trap statistics 810

    SNMP Traps 810

---

**CHAPTER 88**      **Selective Authentication 811**

    Feature Description 811

How It Works	811
Flows	811
Limitations	813
Configuring Selective Authentication	813
Configuring Selective Authentication during Attach Procedures	813
Configuring Selective Authentication during TAU Procedures	813
Configuring Selective Authentication during All Events	814
Configuring Selective Authentication during Service Requests	815
Monitoring and Troubleshooting Selective Authentication in MME	815
Selective Authentication Show Command(s) and/or Outputs	815
show call-control-profile full all	815

---

**CHAPTER 89****Sending EMM Information during Periodic TAU** 817

Feature Summary and Revision History	817
Feature Description	818
Configuring EMM Information	818
Monitoring and Troubleshooting	819
Show Commands and Outputs	819

---

**CHAPTER 90****Session Tracing** 821

Feature Description	821
Supported Functions	822
Standards Compliance	823
How Session Tracing Works	823
Operation	823
Trace Session	824
Trace Recording Session	824
Network Element (NE)	824
Activation	824
Management Activation	824
Signaling Activation	825
Start Trigger	825
Deactivation	825
Stop Trigger	825

- Data Collection and Reporting 825
  - Trace Depth 825
  - Trace Scope 826
- Network Element Details 826
  - MME 826
  - S-GW 826
  - P-GW 827
- Session Trace Configuration 827
  - Enabling Subscriber Session Trace on EPC Network Element 828
  - Configuring a Session Trace Template for the MME 828
  - Trace File Collection Configuration 830
  - Verifying Your Configuration 830
- Monitoring and Troubleshooting the Session Trace 831
  - Session Trace Show Command(s) and/or Outputs 831
    - show session trace statistics 831
    - show session trace subscriber network-element trace-ref 831
    - show session trace tce-summary 832
    - show session trace tce-address 832

---

**CHAPTER 91**

- SGs SCTP Association Counters 833**
  - Feature Summary and Revision History 833
  - Feature Description 834
  - Monitoring and Troubleshooting 834
    - Show Commands and Outputs 834

---

**CHAPTER 92**

- S-GW Address Based Combined SPGW Selection 837**
  - Feature Summary and Revision History 837
  - Feature Description 838
  - Configuring S-GW Address Based Combined SPGW Selection 838
    - Select S-GW as Priority 838
  - Monitoring and Troubleshooting 838
    - Show Commands and Outputs 838

---

**CHAPTER 93**

- S-GW Blacklisting on the MME 839**

Feature Description	839
How It Works	839
Configuring SGW Blacklisting on the MME	840
Monitoring and Troubleshooting SGW Blacklisting on the MME	841
SGW Blacklisting Show Command(s) and /or Outputs	841

**CHAPTER 94****S-GW Restoration 843**

Feature Summary and Revision History	843
Feature Description	844
How It Works	844
S-GW Restoration Procedure	844
Impact of Session Recovery on S-GW Restoration	845
Standards Compliance	845
Configuring S-GW Restoration	845
S-GW Restoration at an MME Service Level	846
Verifying the Configuration	846
S-GW Restoration at an APN Profile Level	847
Verifying the Configuration	847
Monitoring and Troubleshooting	848
S-GW Restoration Show Command(s) and /or Outputs	848
Bulk Statistics	849

**CHAPTER 95****SGSN-MME Combo Optimization 851**

Feature Description	851
Overview	851
How It Works	852
Architecture	852
Flows	853
Limitations	854
Configuring the Combo Optimization	855
Verifying Combo Optimization Configuration	855
show lte-policy sgsn-mme summary	855
Monitoring and Troubleshooting Combo Optimization	855
Monitoring Commands for the SGSN-MME Combo Node	856

- show hss-peer-service statistics all 856
- Monitoring Commands for the SGSN 856
  - show demux-mgr statistics imsimgr all sgsn 856
  - show subscribers sgsn-only summary 856
  - show subscribers gprs-only summary 856
  - show subscribers sgsn-only full all 856
  - show subscribers gprs-only full all 857
  - show session subsystem facility aaamgr instance 857
- Monitoring Commands for the MME 857
  - show mme-service statistics handover 858
- Bulk Statistics for Monitoring the MME in an SGSN-MME Combo Node 858

**CHAPTER 96**

**Short Message Service 859**

- Feature Summary and Revision History 859
- Feature Description 860
- How It Works 860
  - Limitations 861
  - Flows 861
    - Obtaining UE capability for SMS 861
    - SMS Capability with HSS 861
    - HSS-initiated Removal of Registration for SMS 862
    - MO Forward Short Message Procedure 863
    - MT Forward Short Message Procedure 865
    - MT Forward Short Message Procedure (UE Unreachable) 866
    - MT Forward Short Message Procedure (UE Memory Unavailable) 868
    - MT Forward Short Message Procedure (UE Moves due to HO) 868
- Standards Compliance 869
- Configuring SMS Support 869
  - Creating and Configuring SMSC Service 870
  - Configuring MME Preference for SMS 871
  - Associating SMSC Service with MME Service 871
  - Configuring Alert SC Request on SGd interface 872
  - Configuring Notify Request on S6a Interface 873
  - Configuring Queue Timers 873

Configuring CP Data Retransmissions	874
Configuring Heuristic paging for PS-SMS traffic via MME	875
Monitoring and Troubleshooting	875
Show Commands and/or Outputs	875
show call-control-profile full all	875
show mme-service all	876
show mme-service session full all	876
show mme-service statistics	876
show smsc-service name <smc_svc_name>	877
show smsc-service statistics all	877
show smsc-service statistics summary	879
show sms statistics mme-only verbose	879
Bulk Statistics	884
MME Schema	884
MME-SMS Schema	884

---

**CHAPTER 97**

<b>Single Radio Voice Call Continuity</b>	<b>891</b>
Feature Summary and Revision History	891
Feature Description	892
Supported SRVCC Features	892
MSC Fallback on Sv Interface	894
Relationships to Other Features	894
How It Works	895
Flows	895
Standards Compliance	895
Configuring Single Radio Voice Call Continuity	895
Configuring SRVCC	896
Configuring MSC Selection Using DNS	896
Configuring an MSC Pool Area	897
IMSI Hash MSC Pool	898
Round-Robin MSC Pool	898
Configuring MSC Fallback on Sv Interface	899
Disabling MSC Fallback Based on SRVCC Cause	900
MSC Offload	900

- HSS Purge After SRVCC Handoff 900
- Configuring SRVCC Handover Restriction 901
  - Verifying SRVCC Handover Restriction 901
- Verifying the SRVCC Configuration 902
- Monitoring and Troubleshooting SRVCC 902
  - SRVCC Show Command(s) and/or Outputs 902
    - show mme-service all name 902
    - show mme-service msc-status 902
    - show mme-service statistics 903
    - show egtpc statistics 903
  - SRVCC Bulk Statistics 904
    - eGTP-C Schema 904
    - MME Schema 905

---

**CHAPTER 98**

- Skip APN Redirection for IMS APN 907**
  - Feature Summary and Revision History 907
  - Feature Description 908
  - Configuring Skip APN Redirection for IMS APN 908
    - Configuring Subscription Failure 908
  - Monitoring and Troubleshooting 908
    - Show Commands and Outputs 909

---

**CHAPTER 99**

- Handling Call Drop in Smart Watch and Multi-SIM Devices 911**
  - Feature Summary and Revision History 911
  - Feature Description 912
  - Configuring Call Drop Handling in Smart Watch and Multi-SIM Devices 912
    - Enabling Multi-SIM 912
  - Monitoring and Troubleshooting 912
    - Show Commands and Outputs 913

---

**CHAPTER 100**

- SRVCC for 1xRTT 915**
  - Feature Description 915
    - Overview 915
    - Supported Features 915



Relationships to Other Features	916
How It Works	916
Functional Overview	916
Architecture	917
Flows	917
Limitations	920
Standards Compliance	920
Configuring SRVCC for 1xRTT	920
Configuring the S102 Service	920
Verify the S102 Service Configuration	921
Associating the S102 Service	922
Verifying the S102 Association	922
Configuring MSC Selection	922
Verifying Pool and Non-Pool Area Configuration	924
Monitoring and Troubleshooting the SRVCC for 1xRTT	924
Monitoring Protocol	924
Show Command(s) and/or Outputs	924
Bulk Statistics	925
Traps	926

---

**CHAPTER 101**

<b>State-Location Information Retrieval Flag</b>	<b>927</b>
Feature Description	927
How It Works	927
MME Behavior for IDR-initiated Paging	927
Location Reporting Control	928
MME's IDR-initiated Paging Process	928
MME's Immediate Response Through IDA	929
Standards Compliance	929
Configuring Support for the State Location Information Retrieval Flag	929
Configuring Precedence for IDR Paging	929
Verifying the Precedence Configuration	930
Configuring the ISDA Guard Timer	930
isda-guard-timeout	930
Configuring Location Validation Timer for IDA	931

Verifying the Precedence Configuration 931

Monitoring the MME's Support for the State - Location Information Retrieval Flag 932

    show mme-service statistics 932

    show mme-service all 932

    show hss-peer-service statistics service 932

    show hss-peer-service statistics 932

    Bulk Statistics 933

---

CHAPTER 102

**TAI-based Routing for 20-bit and 28-bit eNB ID 935**

Feature Summary and Revision History 935

Feature Description 936

    Limitations 937

Configuring TAI-based Lookup of eNB 937

    Configuring Target eNB Type for TAI-based Lookup 937

    Verifying the Target eNB Type Configuration 938

    Configuring HeNBGW msb-10-bits Selection 938

Monitoring and Troubleshooting the TAI-based Lookup 939

    show mme-service all 939

    show mme-service name service\_name 940

    show mme-service statistics handover 940

    show mme-service statistics peer-id 941

    Bulk Statistics 942

    MME Schema 942

---

CHAPTER 103

**Target MME Load Balancing During Handover 943**

Feature Summary and Revision History 943

Feature Description 944

---

CHAPTER 104

**Timer-based GBR Bearer Deactivation 945**

Feature Description 945

How It Works 945

    Limitations 945

Configuring Timer-based GBR Bearer Deactivation 946

    Configuring Timer-based GBR Bearer Deactivation 946

gbr-bearer-preservation-timer	946
Verifying the Timer-based GBR Bearer Deactivation Configuration	946
Monitoring and Troubleshooting the Timer-based GBR Bearer Deactivation	947
Troubleshooting Timer-based GBR Bearer Deactivation	947

---

<b>CHAPTER 105</b>	<b>TMSI Based NRI Container IE</b>	<b>949</b>
	Feature Summary and Revision History	949
	Feature Description	950
	How it Works	950
	Configuring NonBroadcast LAI	951
	Monitoring and Troubleshooting	951
	Show Commands and Output	951
	show sgs-service all	951

---

<b>CHAPTER 106</b>	<b>UDPC2 Support for MME/SGSN</b>	<b>953</b>
	Feature Description	953
	How It Works	954
	Configuring MME/SGSN Support on UDPC2	956
	Configuring MME Managers per Session Card	956
	Configuring MME Managers per Chassis	957
	Verifying the Configuration	959

---

<b>CHAPTER 107</b>	<b>UE Context Retention</b>	<b>961</b>
	Feature Summary and Revision History	961
	Feature Description	962
	How It Works	962
	Handling SCTP Association Failures with UE Context Retention	962
	eNodeB Detected SCTP Association Failure	963
	MME Detected SCTP Association Failure	963
	Handling MME Manager Recovery with UE Context Retention	964
	Standards Compliance	964
	Configuring UE Context Retention	964
	Verifying the Configuration	965
	Monitoring and Troubleshooting UE Context Retention	965

UE Context Retention Show Command(s) and/or Outputs 965

---

CHAPTER 108

**UE Relocation 967**

- Feature Description 967
- How it Works 967
  - UE Relocation 967
- Relocating UE to Specific MME 968
  - Issuing the mme relocate-ue Command 968
- Monitoring UE Relocation 968
  - UE Relocation Bulk Statistics 968
  - UE Relocation Show Commands 969

---

CHAPTER 109

**Uneven Distribution of eNodeBs in MME Managers 971**

- Feature Summary and Revision History 971
- Feature Description 972
- Configuring MME Manager 972
- Monitoring and Troubleshooting 972
  - Show Commands and/or Outputs 973
    - show session subsystem facility mmedemux instance <instance\_id> 973

---

CHAPTER 110

**VLR Management 975**

- Feature Summary and Revision History 975
- Feature Description 976
  - Passive VLR Offloading 976
  - Active VLR Offloading 976
  - UE Detach on VLR Recovery 976
  - UE Detach on VLR Failure 977
  - VLR Round-Robin Load Balancing 977
- Configuring VLR Offloading 977
  - Enabling Passive VLR Offloading 977
  - Enabling Active VLR Offloading 978
  - Configuring VLR Round-Robin Load Balance 978
  - Verifying VLR Offload Status and Configuration 978
- Enabling UE Detach on VLR Failure or VLR Recover 979

	UE Detach on VLR Recovery	979
	UE Detach on VLR Failure	980
	Configuring Automatic UE Detach on VLR Failure	980
	Manually Enabling UE Detach on VLR Failure	981
	Verifying UE Detach on VLR Failure/Recovery Status and Configuration	982
	Monitoring and Troubleshooting VLR Offload	982
	SNMP Traps	982
	Bulk Statistics	982
	Show Command(s) and/or Outputs	982
	VLR Offload Status	983
	UE Detach on VLR Recovery and VLR Failure	983
<hr/>		
<b>CHAPTER 111</b>	<b>Troubleshooting the MME Service</b>	<b>985</b>
	Test Commands	985
	Using the eGTPC Test Echo Command	985
<hr/>		
<b>CHAPTER 112</b>	<b>Timeout Exclusion from CSFB Counters</b>	<b>987</b>
	Feature Summary and Revision History	987
	Feature Description	988
	Enabling and Disabling Voice and SMS for Paging Re-transmission Timeout	988
	Show Command and Output	988
<hr/>		
<b>CHAPTER 113</b>	<b>Monitor the MME Service</b>	<b>991</b>
	Overview	991
	Monitoring System Status and Performance	991
	Clearing Statistics and Counters	993
<hr/>		
<b>APPENDIX A</b>	<b>Engineering Rules</b>	<b>995</b>
	Service Engineering Rules	995
	Node Engineering Rules	996
	MME Task Instance Limit	996
	APN Engineering Rules	997





## About this Guide



**Note** The documentation set for this product strives to use bias-free language. For purposes of this documentation set, bias-free is defined as language that does not imply discrimination based on age, disability, gender, racial identity, ethnic identity, sexual orientation, socioeconomic status, and intersectionality. Exceptions may be present in the documentation due to language that is hardcoded in the user interfaces of the product software, language used based on RFP documentation, or language that is used by a referenced third-party product.

This preface describes the *MME Administration Guide*, how it is organized and its document conventions.

Mobility Management Entity (MME) is a StarOS application that runs on Cisco® ASR 5500 and virtualized platforms.

- [Conventions Used, on page lv](#)
- [Supported Documents and Resources, on page lvi](#)
- [Contacting Customer Support , on page lvii](#)

## Conventions Used

The following tables describe the conventions used throughout this documentation.

Notice Type	Description
Information Note	Provides information about important features or instructions.
Caution	Alerts you of potential damage to a program, device, or system.
Warning	Alerts you of potential personal injury or fatality. May also alert you of potential electrical hazards.

Typeface Conventions	Description
Text represented as a <code>screen display</code>	This typeface represents displays that appear on your terminal screen, for example:  <code>Login:</code>
Text represented as <b>commands</b>	This typeface represents commands that you enter, for example:  <b>show ip access-list</b>  This document always gives the full form of a command in lowercase letters. Commands are not case sensitive.
Text represented as a <b>command variable</b>	This typeface represents a variable that is part of a command, for example:  <b>show card slot_number</b>  <i>slot_number</i> is a variable representing the desired chassis slot number.
Text represented as menu or sub-menu names	This typeface represents menus and sub-menus that you access within a software application, for example:  Click the <b>File</b> menu, then click <b>New</b>

## Supported Documents and Resources

### Related Common Documentation

The most up-to-date information for this product is available in the product Release Notes provided with each product release.

The following common documents are available:

- *AAA Interface Administration and Reference*
- *Command Line Interface Reference*
- *GTPP Interface Administration and Reference*
- *Installation Guide* (platform dependent)
- *Release Change Reference*
- *SNMP MIB Reference*
- *Statistics and Counters Reference*
- *System Administration Guide* (platform dependent)
- *Thresholding Configuration Guide*



## Related Product Documentation

The following product document(s) is/are also available and work in conjunction with the MME:

- *IPSec Reference*
- *P-GW Administration Guide*
- *S-GW Administration Guide*
- *SAEGW Administration Guide*
- *SGSN Administration Guide*

## Obtaining Documentation

The most current Cisco documentation is available on the following website:

<http://www.cisco.com/cisco/web/psa/default.html>

Use the following path selections to access the MME documentation:

Products > Wireless > Mobile Internet > Network Functions > Cisco MME Mobility Management Entity

## Contacting Customer Support

Use the information in this section to contact customer support.

Refer to the support area of <http://www.cisco.com> for up-to-date product documentation or to submit a service request. A valid username and password are required to access this site. Please contact your Cisco sales or service representative for additional information.





# CHAPTER 1

## Mobility Management Entity Overview

Cisco Mobility Management Entity (MME) is critical to the network function of the 4G mobile core network, known as the evolved packet core (EPC). The MME resides in the EPC control plane and manages session states, authentication, paging, mobility with 3GPP, 2G and 3G nodes, roaming, and other bearer management functions.

This overview provides general information about the MME.

- [Product Description, on page 1](#)
- [Network Deployment and Interfaces, on page 3](#)
- [Features and Functionality - Base Software, on page 11](#)
- [Features and Functionality - Licensed Enhanced Feature Software, on page 40](#)
- [How the MME Works, on page 57](#)
- [Supported Standards, on page 64](#)

## Product Description

This section describes the MME network function and its position in the LTE network.

The MME is the key control-node for the LTE access network. It works in relation with the evolved NodeB (eNodeB), Serving Gateway (S-GW) within the Evolved Packet Core (EPC), or LTE/SAE core network to perform the following functions:

- Involved in the bearer activation/deactivation process and is also responsible for choosing the S-GW and for a UE at the initial attach and at the time of intra-LTE handover involving Core Network (CN) node relocation.
- Provides P-GW selection for subscriber to connect to PDN.
- Provides idle mode UE tracking and paging procedure, including retransmissions.
- Chooses the appropriate S-GW for a UE.
- Responsible for authenticating the user (by interacting with the HSS).
- Works as termination point for Non-Access Stratum (NAS) signaling.
- Responsible for generation and allocation of temporary identities to UEs.
- Checks the authorization of the UE to camp on the service provider's Public Land Mobile Network (PLMN) and enforces UE roaming restrictions.

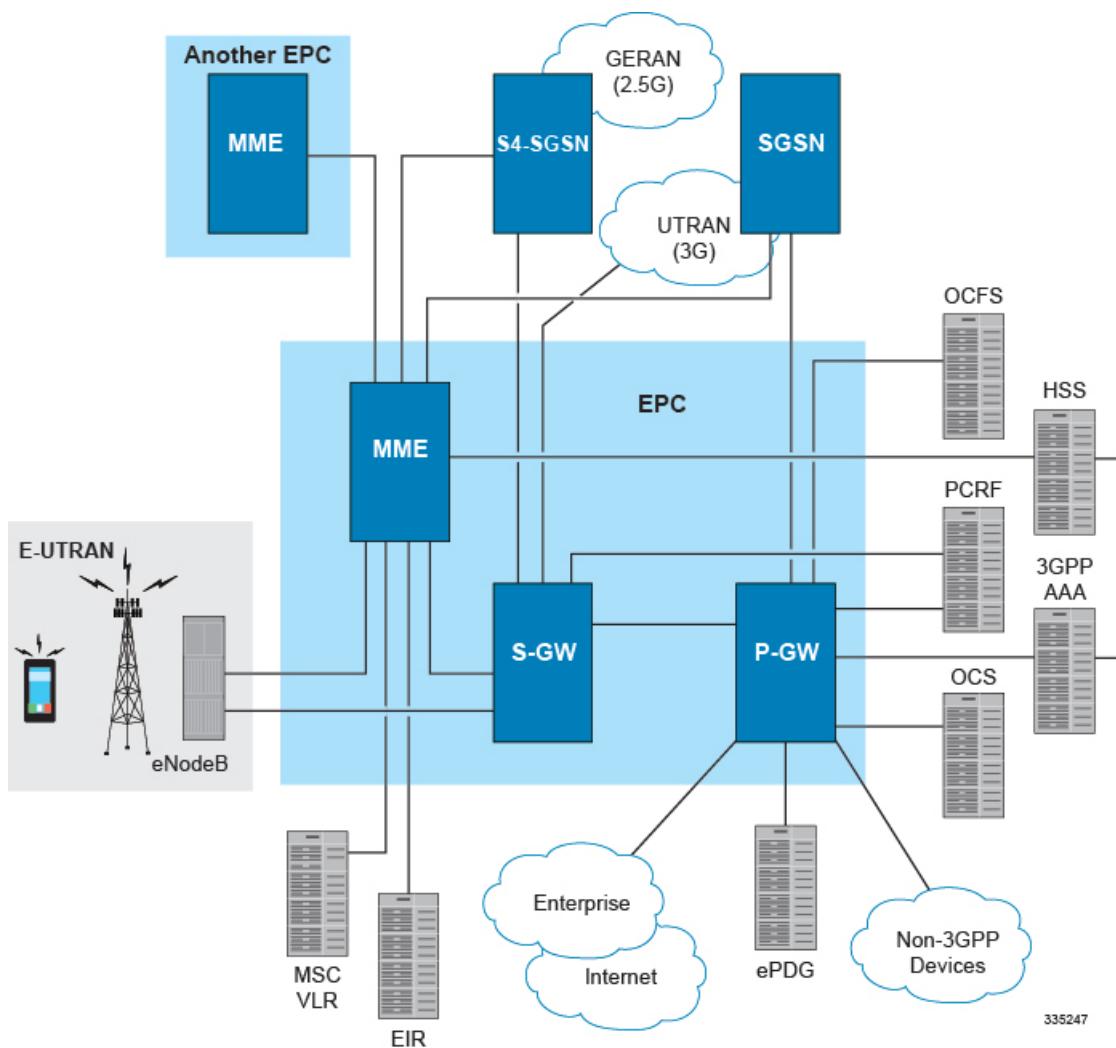
- The MME is the termination point in the network for ciphering/integrity protection for NAS signaling and handles the security key management.
- Communicates with MMEs in the same PLMN or on different PLMNs. The S10 interface that is used for MME relocation and MME-to-MME information transfer or handoff.

Besides the earlier mentioned functions, the lawful interception of signaling is supported by the MME.

The MME also provides the control plane function for mobility between LTE and 2G/3G access networks with the S3 interface stopping at the MME from the SGSN. In addition, the MME interfaces with SGSN for interconnecting to the legacy network.

The MME also terminates the S6a interface toward the home HSS for roaming UEs.

Figure 1: MME in the E-UTRAN/EPC Network Topology



In accordance with 3GPP standard, the MME provides the following functions and procedures in the LTE/SAE network:

- Non-Access Stratum (NAS) signaling

- NAS signaling security
- Inter CN node signaling for mobility between 3GPP access networks (terminating S3)
- UE Reachability in ECM-IDLE state (including control and execution of paging retransmission)
- Tracking Area list management
- PDN GW and Serving GW selection
- MME selection for handover with MME change
- SGSN selection for handover to 2G or 3G 3GPP access networks
- Roaming (S6a toward home HSS)
- Authentication
- Bearer management functions including dedicated bearer establishment.
- Lawful Interception of signaling traffic
- UE Reachability procedures
- Interfaces with MSC for Voice paging
- Interfaces with SGSN for interconnecting to legacy network

## Qualified Platforms

MME is a StarOS application that runs on Cisco ASR 5500 and virtualized platforms. For additional platform information, refer to the appropriate *System Administration Guide* and/or contact your Cisco account representative.

## Licenses

The MME is a licensed Cisco product. Separate session and feature licenses may be required. Contact your Cisco account representative for detailed information on specific licensing requirements. For information on installing and verifying licenses, refer to the *Managing License Keys* section of the *Software Management Operations* chapter in the *System Administration Guide*.

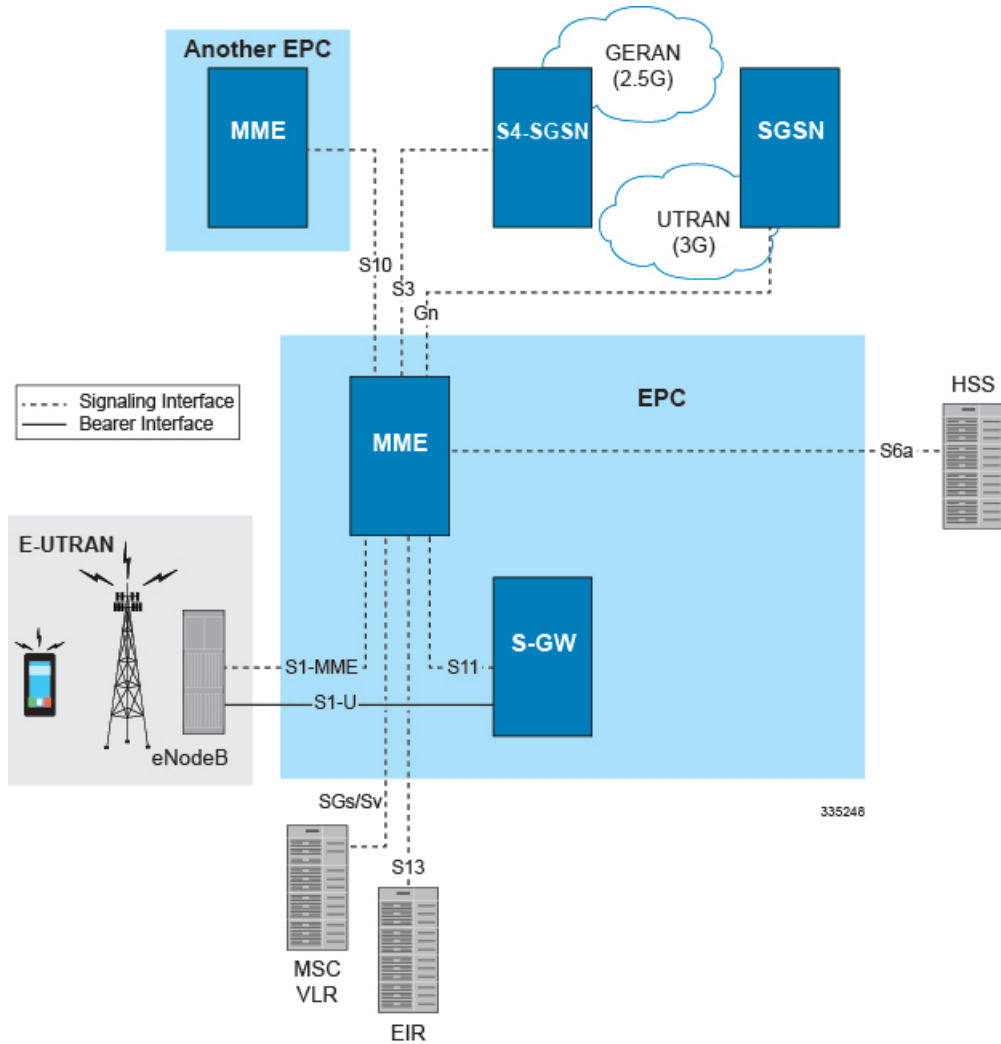
## Network Deployment and Interfaces

This section describes the supported interfaces and deployment scenario of the MME in an LTE/SAE network.

### MME in the E-UTRAN/EPC Network

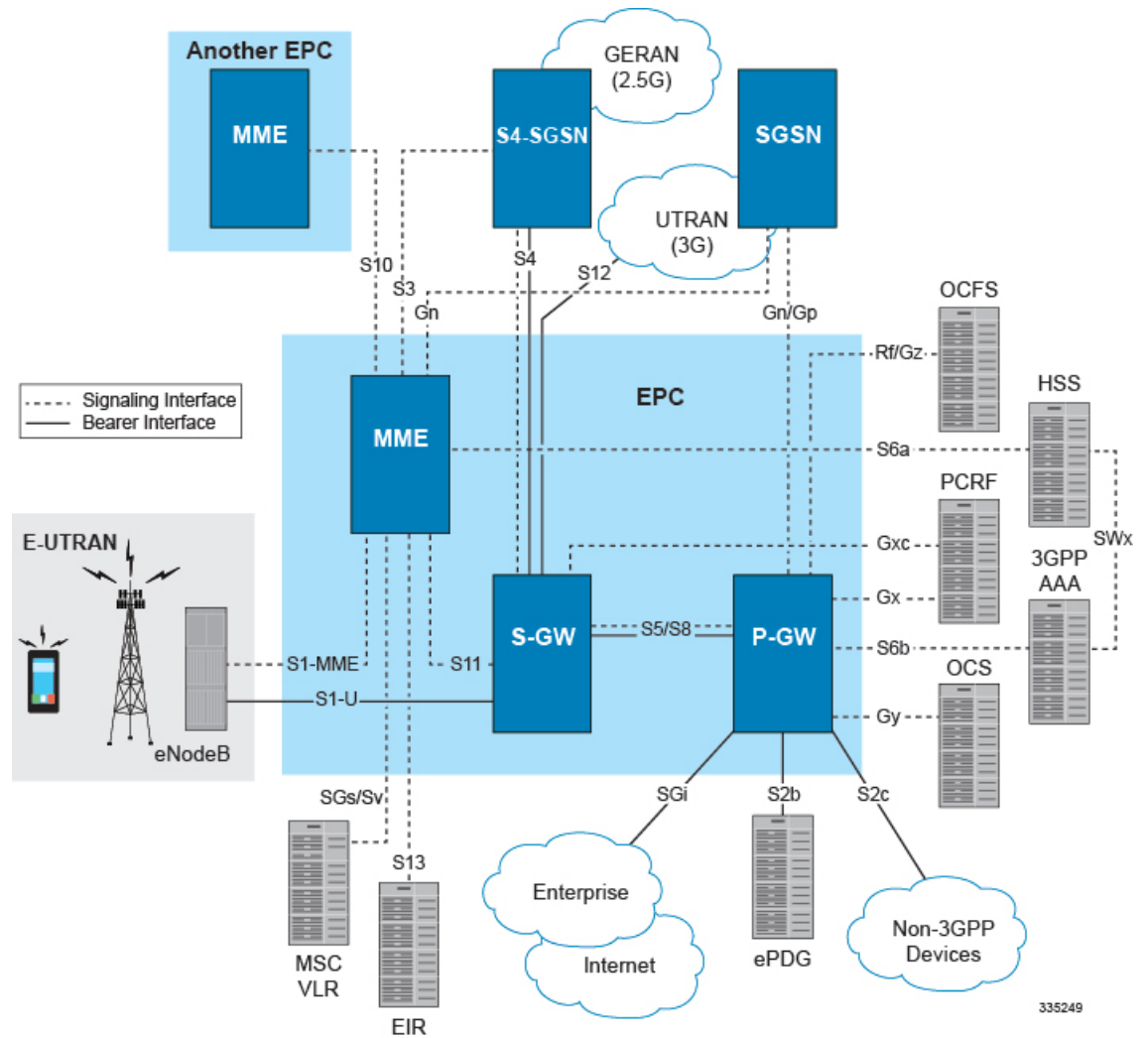
The following figure illustrates the specific network interfaces supported by the MME. Refer to the following section *Supported Logical Network Interfaces (Reference Points)* for detailed information about each interface illustrated in these figures..

Figure 2: Supported MME Interfaces in the E-UTRAN/EPC Network



The following figure displays a sample network deployment of an MME, including all of the interface connections with other 3GPP Evolved-UTRAN/Evolved Packet Core network devices.

Figure 3: E-UTRAN/EPC Network Scenario



335249

## Supported Logical Network Interfaces (Reference Points)

The MME supports the following logical network interfaces/reference points:

### Gn Interface

Gn interfaces facilitate user mobility between 2G/3G 3GPP networks. The Gn interface is used for intra-PLMN handovers. The MME supports pre-Release-8 Gn interfaces to allow inter-operation between EPS networks and 2G/3G 3GPP networks.

Roaming and inter access mobility between 2G and/or 3G SGSNs and an MME/S-GW are enabled by:

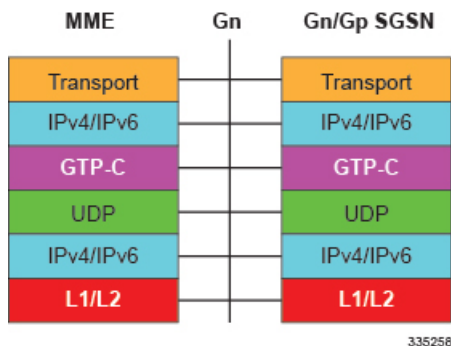
- Gn functionality, as specified between two SGSNs, which is provided by the MME, and
- Gp functionality, as specified between SGSN and GGSN, that is provided by the P-GW.

### Supported protocols:

- Transport Layer: UDP, TCP

S1-MME Interface

- Tunneling: IPv4 or IPv6 GTP-C (signaling channel)
- Network Layer: IPv4, IPv6
- Data Link Layer: ARP
- Physical Layer: Ethernet



S1-MME Interface

This interface is the reference point for the control plane protocol between eNodeB and MME. S1-MME uses the S1 Application Protocol (S1-AP) over the Stream Control Transmission Protocol (SCTP) as the transport layer protocol for guaranteed delivery of signaling messages between MME and eNodeB (S1).

This is the interface used by the MME to communicate with eNodeBs on the same LTE Public Land Mobile Network (PLMN). This interface serves as path for establishing and maintaining subscriber UE contexts.

The S1-MME interface supports IPv4, IPv6, IPSec, and multi-homing.

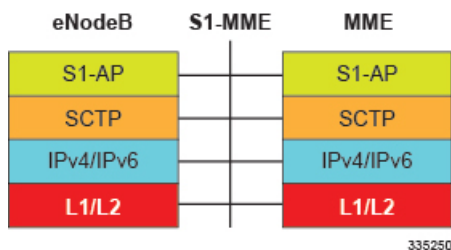
One or more S1-MME interfaces can be configured per system context.

**Supported protocols:**

- Application Layer: S1 Application Protocol (S1-AP)
- Transport Layer: SCTP
- Network Layer: IPv4, IPv6
- Data Link Layer: ARP
- Physical Layer: Ethernet



**Note** S1-AP stack in 3GPP is R12 compliant.





### S3 Interface

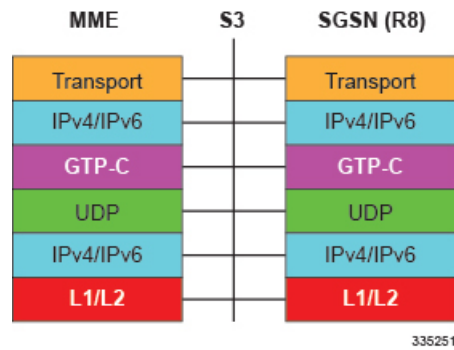
This is the interface used by the MME to communicate with S4-SGSNs on the same Public PLMN for interworking between GPRS/UMTS and LTE network access technologies. This interface serves as the signaling path for establishing and maintaining subscriber UE contexts.

The MME communicates with SGSNs on the PLMN using the GPRS Tunneling Protocol (GTP). The signaling or control aspect of this protocol is referred to as the GTP Control Plane (GTCP) while the encapsulated user data traffic is referred to as the GTP User Plane (GTPU).

One or more S3 interfaces can be configured per system context.

**Supported protocols:**

- Transport Layer: UDP, TCP
- Tunneling: IPv4 or IPv6 GTPv2-C (signaling channel)
- Signaling Layer: UDP
- Network Layer: IPv4, IPv6
- Data Link Layer: ARP
- Physical Layer: Ethernet



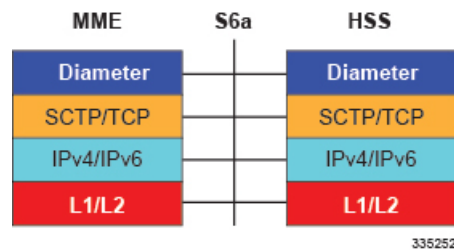
### S6a Interface

This is the interface used by the MME to communicate with the Home Subscriber Server (HSS). The HSS is responsible for transfer of subscription and authentication data for authenticating/authorizing user access and UE context authentication. The MME communicates with the HSSs on the PLMN using Diameter protocol.

One or more S6a interfaces can be configured per system context.

**Supported protocols:**

- Transport Layer: SCTP or TCP
- Network Layer: IPv4, IPv6
- Data Link Layer: ARP
- Physical Layer: Ethernet



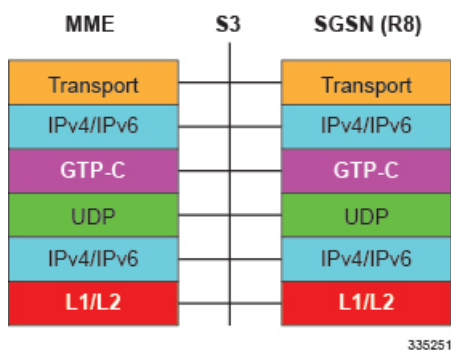
### S10 Interface

This is the interface used by the MME to communicate with an MME in the same PLMN or on different PLMNs. This interface is also used for MME relocation and MME-to-MME information transfer or handoff. This interface uses the GTPv2 protocol.

One or more S10 interfaces can be configured per system context.

**Supported protocols:**

- Transport Layer: UDP, TCP
- Tunneling: IPv4 or IPv6 GTPv2-C (signaling channel)
- Network Layer: IPv4, IPv6
- Data Link Layer: ARP
- Physical Layer: Ethernet



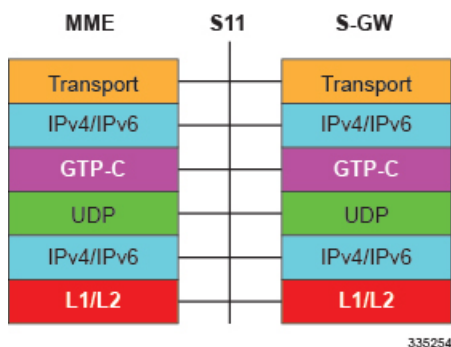
### S11 Interface

This interface provides communication between the MME and Serving Gateways (S-GW) for information transfer. This interface uses the GTPv2 protocol.

One or more S11 interfaces can be configured per system context.

**Supported protocols:**

- Transport Layer: UDP, TCP
- Tunneling: IPv4 or IPv6 GTPv2-C (signaling channel)
- Network Layer: IPv4, IPv6
- Data Link Layer: ARP
- Physical Layer: Ethernet



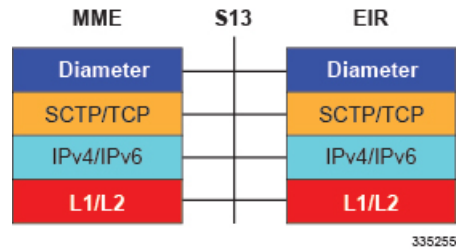
### S13 Interface

This interface provides communication between MME and Equipment Identity Register (EIR).

One or more S13 interfaces can be configured per system context.

**Supported protocols:**

- Transport Layer: SCTP or TCP
- Network Layer: IPv4, IPv6
- Data Link Layer: ARP
- Physical Layer: Ethernet

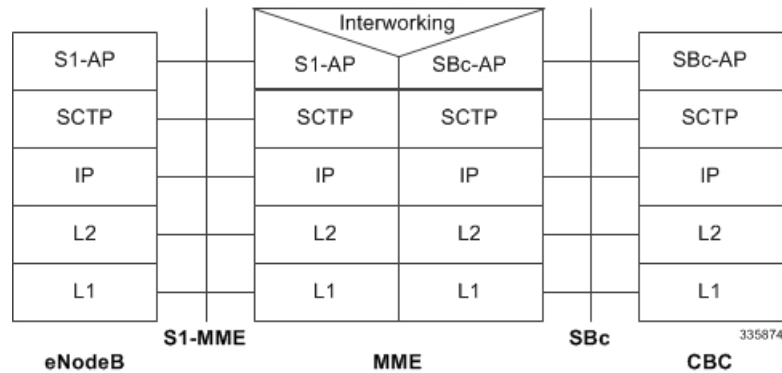


### SBc Interface

The SBc interface connects the MME to the Cell Broadcast Center (CBC) to support the Commercial Mobile Alert System (CMAS) to deliver public warning messages.

**Supported protocols:**

- Application: SBc-AP
- Transport Layer: SCTP
- Network Layer: IPv4, IPv6
- Data Link Layer: ARP
- Physical Layer: Ethernet



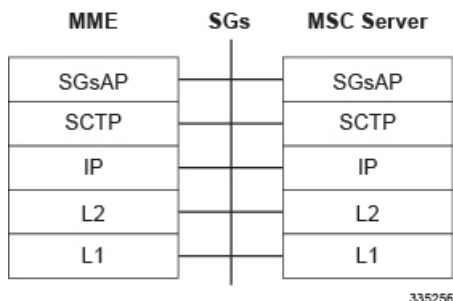
### SGs Interface

The SGs interface connects the MSC Server and the MME to support circuit switched fallback and SMS in an EPS scenario.

**Supported protocols:**

- Application: SGs-AP

- Transport Layer: SCTP
- Network Layer: IPv4, IPv6
- Data Link Layer: ARP
- Physical Layer: Ethernet

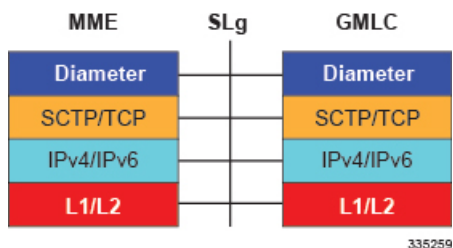


### SLg Interface

This interface is used by the MME to communicate with the Gateway Mobile Location Center (GMLC). This diameter-based interface is used for LoCation Services (LCS), which enables the system to determine and report location (geographical position) information for connected UEs in support of a variety of location services.

#### Supported protocols:

- Transport Layer: SCTP or TCP
- Network Layer: IPv4, IPv6
- Data Link Layer: ARP
- Physical Layer: Ethernet

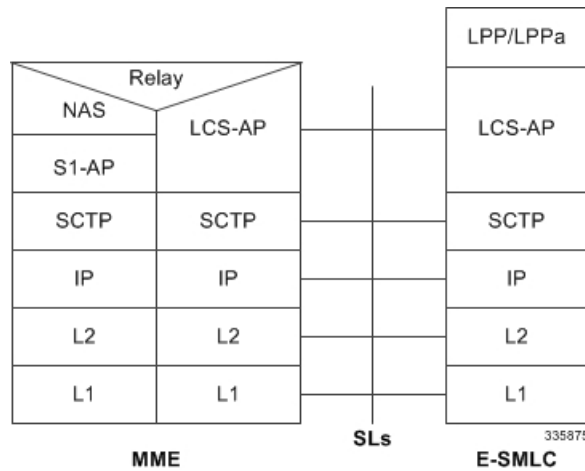


**Important** MME Software also supports additional interfaces. For more information on additional interfaces, refer to the *Features and Functionality - Licensed Enhanced Feature Software* section.

### SLs Interface

The SLs interface is used to convey LCS Application Protocol (LCS-AP) messages and parameters between the MME to the Evolved Serving Mobile Location Center (E-SMLC).

- Application: LCS-AP
- Transport Layer: SCTP
- Network Layer: IPv4, IPv6
- Data Link Layer: ARP
- Physical Layer: Ethernet

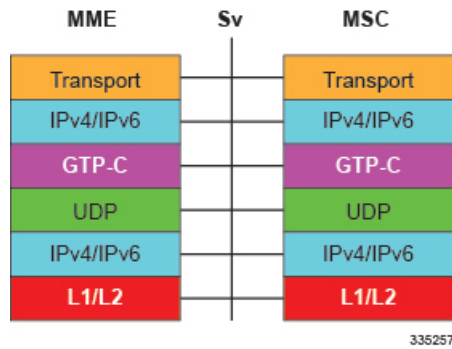


**Sv Interface**

This interface connects the MME to a Mobile Switching Center to support the exchange of messages during a handover procedure for the Single Radio Voice Call Continuity (SRVCC) feature.

**Supported protocols:**

- Transport Layer: UDP, TCP
- Tunneling: IPv4 or IPv6 GTP-C (signaling channel)
- Network Layer: IPv4, IPv6
- Data Link Layer: ARP
- Physical Layer: Ethernet



## Features and Functionality - Base Software

This section describes the features and functions supported by default in the base software on the MME service and do not require any additional licenses.

To configure the basic service and functionality on the system for MME service, refer to configuration examples and/or feature chapters provide in the *MME Administration Guide*.

## 3GPP R8 Identity Support

Provides the identity allocation of following type:

- EPS Bearer Identity
- Globally Unique Temporary UE Identity (GUTI)
- Tracking Area Identity (TAI)
- MME S1-AP UE Identity (MME S1-AP UE ID)
- **EPS Bearer Identity:** An EPS bearer identity uniquely identifies EPS bearers within a user session for attachment to the E-UTRAN access and EPC core networks. The EPS Bearer Identity is allocated by the MME. There is a one to one mapping between EPS Radio Bearers via the E-UTRAN radio access network and EPS Bearers via the S1-MME interface between the eNodeB and MME. There is also a one-to-one mapping between EPS Radio Bearer Identity via the S1 and X2 interfaces and the EPS Bearer Identity assigned by the MME.
- **Globally Unique Temporary UE Identity (GUTI):** The MME allocates a Globally Unique Temporary Identity (GUTI) to the UE. A GUTI has 1) unique identity for MME which allocated the GUTI and 2) the unique identity of the UE within the MME that allocated the GUTI.

Within the MME, the mobile is identified by the M-TMSI.

The Globally Unique MME Identifier (GUMMEI) is constructed from MCC, MNC and MME Identifier (MMEI). In turn the MMEI is constructed from an MME Group ID (MMEGI) and an MME Code (MMEC).

The GUTI is constructed from the GUMMEI and the M-TMSI.

For paging, the mobile is paged with the S-TMSI. The S-TMSI is constructed from the MMEC and the M-TMSI.

The operator needs to ensure that the MMEC is unique within the MME pool area and, if overlapping pool areas are in use, unique within the area of overlapping MME pools.

The GUTI is used to support subscriber identity confidentiality, and, in the shortened S-TMSI form, to enable more efficient radio signaling procedures (e.g. paging and Service Request).

- **Tracking Area Identity (TAI):** Provides the function to assign the TAI list to the mobile access device to limit the frequency of Tracking Area Updates in the network. The TAI is the identity used to identify the tracking area or group of cells in which the idle mode access terminal will be paged when a remote host attempts to reach that user. The TAI consists of the Mobile Country Code (MCC), Mobile Network Code (MNC) and Tracking Area Code (TAC).
- **MME S1-AP UE Identity (MME S1-AP UE ID):** This is the temporary identity used to identify a UE on the S1-MME reference point within the MME. It is unique within the MME per S1-MME reference point instance.

## ANSI T1.276 Compliance

ANSI T1.276 specifies security measures for Network Elements (NE). In particular it specifies guidelines for password strength, storage, and maintenance security measures.

ANSI T1.276 specifies several measures for password security. These measures include:

- Password strength guidelines
- Password storage guidelines for network elements
- Password maintenance, e.g. periodic forced password changes

These measures are applicable to the system and an element management system since both require password authentication. A subset of these guidelines where applicable to each platform will be implemented. A known subset of guidelines, such as certificate authentication, are not applicable to either product. Furthermore, the platforms support a variety of authentication methods such as RADIUS and SSH which are dependent on external elements. ANSI T1.276 compliance in such cases will be the domain of the external element. ANSI T1.276 guidelines will only be implemented for locally configured operators.

## APN Restriction Support

The APN-Restriction value may be configured for each APN in the P-GW and transferred to the MME. It is used to determine, on a per-MS basis, whether it is allowed to establish EPS bearers to other APNs.

The APN-Restriction value is defined in clause 15.4 of 3GPP TS 23.060. APN-Restriction affects multiple procedures, such as Initial Attach, TAU, PDN connectivity, and inter-MME handovers. The MME saves the APN-Restriction value received in create session response for an APN and uses the maximum of the values from the currently active PDNs in the next create session request. If a PDN is disconnected, then the maximum APN-Restriction is adjusted accordingly.

## Authentication and Key Agreement (AKA)

The MME provides EPS Authentication and Key Agreement mechanism for user authentication procedure over the E-UTRAN. The Authentication and Key Agreement (AKA) mechanism performs authentication and session key distribution in networks. AKA is a challenge- response based mechanism that uses symmetric cryptography. AKA is typically run in a Services Identity Module.

AKA is the procedure that take between the user and network to authenticate themselves towards each other and to provide other security features such as integrity and confidentiality protection.

In a logical order this follows the following procedure:

1. Authentication: Performs authentication by identifying the user to the network and identifying the network to the user.
2. Key agreement: Performs key agreement by generating the cipher key and generating the integrity key.
3. Protection: When the AKA procedure is performed, it protects the integrity of messages, the confidentiality of the signaling data, and the confidentiality of the user data.

## Backup and Recovery of Key KPI Statistics

This feature allows the back up of a small set of MME key KPI counters for recovery of the counter values after a session manager (SessMgr) crash.

KPI calculation involves taking a delta between counter values from two time intervals and then determines the percentage of successful processing of a particular procedure in that time interval. When a SessMgr crashes and then recovers, the MME loses the counter values as they are reset to zero. So, the KPI calculation in the

next interval will result in negative values for that interval. With this feature, it is possible to perform reliable KPI calculations even if a SessMgr crash occurs.

For details about the feature, commands, and new MME-BK schema, refer to the *Backup and Recovery of Key KPI Statistics* feature in this guide.

## Bulk Statistics Support

The system's support for bulk statistics allows operators to choose to view not only statistics that are of importance to them, but also to configure the format in which it is presented. This simplifies the post-processing of statistical data since it can be formatted to be parsed by external, back-end processors.

When used in conjunction with an element manager, the data can be parsed, archived, and graphed.

The system can be configured to collect bulk statistics (performance data) and send them to a collection server (called a receiver). Bulk statistics are statistics that are collected in a group. The individual statistics are grouped by schema. Following is a partial list of supported schemas:

- **Card**: Provides card-level statistics.
- **MME-eMBMS**: Provides eMBMS service statistics.
- **GTPC**: Provides GPRS Tunneling Protocol - Control message statistics.
- **HSS**: Provides HSS service statistics.
- **LCS**: Provides Location Services statistics.
- **MME**: Provides MME service statistics.
- **MME-BK**: Provides selected set of backed-up and (post-SessMgr crash) recovered MME statistics.
- **Port**: Provides port-level statistics.
- **S102**: Provides statistics for S102 interface.
- **SBC**: Provides SBC service statistics for associations to Cell Broadcast Centers.
- **SGs**: Provides statistics for SGs connections.
- **SGS-VLR**: Provides statistics for SGs connections on a per-VLR basis.
- **SLs**: Provides SLs service statistics for Location Services.
- **System**: Provides system-level statistics.
- **TAI**: Provides MME statistics at the TAI (MCC/MNC/TAC) level.

The system supports the configuration of up to 4 sets (primary/secondary) of receivers. Each set can be configured with to collect specific sets of statistics from the various schemas. Statistics can be pulled manually from the chassis or sent at configured intervals. The bulk statistics are stored on the receiver(s) in files.

The format of the bulk statistic data files can be configured by the user. Users can specify the format of the file name, file headers, and/or footers to include information such as the date, chassis host name, chassis uptime, the IP address of the system generating the statistics (available for only for headers and footers), and/or the time that the file was generated.

When an element manager is used as the receiver, it is capable of further processing the statistics data through XML parsing, archiving, and graphing.



The Bulk Statistics Server component of an element manager parses collected statistics and stores the information in the PostgreSQL database. If XML file generation and transfer is required, this element generates the XML output and can send it to a Northbound NMS or an alternate bulk statistics server for further processing.

Additionally, if archiving of the collected statistics is desired, the Bulk Statistics server writes the files to an alternative directory on the server. A specific directory can be configured by the administrative user or the default directory can be used. Regardless, the directory can be on a local file system or on an NFS-mounted file system on an element manager server.

## Cell Broadcast Center - SBc Interface

The MME provides support for Commercial Mobile Alert System (CMAS): SBc interface and underlying protocols. Warning Messages can be received from a Cell Broadcast Center (CBC) over the SBc-AP interface and relayed to all relevant eNodeBs over the S1-AP interface.

Refer to the *Cell Broadcast Center - SBc Interface* chapter in the *MME Administration Guide* for more information.

## Closed Subscriber Groups

Closed Subscriber Group identifies a group of subscribers who are permitted to access one or more CSG cells of the PLMN as a member of the CSG for a Home eNodeB.

Refer to the *Closed Subscriber Groups* chapter in the *MME Administration Guide* for more information.

## Co-Located SPGW Selection for Emergency Bearer

MME uses the canonical name of the selected S-GW (from DNS response) for the previously established Pens and compares it with the statically configured P-GW collocation string in the LTE emergency profile to select the P-GW. The static P-GW collocation string must be configured with the canonical node name of the P-GW to ensure to select collocated node for emergency call.




---

**Important** This behavior applies only to the PDN connectivity request for Emergency Bearer Service.

---

### pgw co-location

Use the following configuration to configure P-GW co-location:

```
configure
  lte-policy
    lte-emergency-profile profile_name
      [ no ] pgw co-location
    end
```

### NOTES:

- **no** Disables the P-GW co-location configuration.
- **co-location** Configures to select the co-located S-GW/P-GW node based on static P-GW configuration and S-GW selected through DNS.

**show lte-policy lte-emergency-profile <profile\_name>**

The output of this command includes "pgw co-location" to indicate if the P-GW co-location feature is enabled or disabled.

## Congestion Control

The congestion control feature allows you to set policies and thresholds and specify how the system reacts when faced with a heavy load condition.

Congestion control monitors the system for conditions that could potentially degrade performance when the system is under heavy load. Typically, these conditions are temporary (for example, high CPU or memory utilization) and are quickly resolved. However, continuous or large numbers of these conditions within a specific time interval may have an impact the system's ability to service subscriber sessions. Congestion control helps identify such conditions and invokes policies for addressing the situation.

Congestion control operation is based on configuring the following:

- **Congestion Condition Thresholds:** Thresholds dictate the conditions for which congestion control is enabled and establishes limits for defining the state of the system (congested or clear). These thresholds function in a way similar to operation thresholds that are configured for the system as described in the Thresholding Configuration Guide. The primary difference is that when congestion thresholds are reached, a service congestion policy and an SNMP trap, starCongestion, are generated.

A threshold tolerance dictates the percentage under the configured threshold that must be reached in order for the condition to be cleared. An SNMP trap, starCongestionClear, is then triggered.

The following system resources can be monitored:

- System CPU usage
  - System service CPU usage (Demux-Card CPU usage)
  - System Memory usage
  - License usage
  - Maximum Session per service
- **Service Congestion Policies:** Congestion policies are configurable for each service. These policies dictate how services respond when the system detects that a congestion condition threshold has been crossed.

Congestion control can be used in conjunction with the load balancing feature provided on the MME. For more information on MME load balancing, refer to the *Load Balancing and Rebalancing* section in this guide.

For more information or to configure Overload Control using the basic Congestion Control functionality, refer to the *Congestion Control* chapter in the *ASR 5500 System Administration Guide*.

For more information about the **Enhanced** Congestion Control functionality (a licensed feature), refer to the *Enhanced Congestion Control and Overload Control* chapter in this guide.

## Controlling Voice Over PS Session in S1 Mode

Configured APN is considered as IMS APN and UE is allowed to attempt IMS PDN connection only if it is subscribed to that APN. If the configured IMS APN is present in the subscription in ULA, then MME sets "IMS voice over PS session in S1 mode" in the Attach Accept/TAU Accept message.

If the configured IMS APN is not present in the subscription in ULA, then "IMS voice over PS session in S1 mode" must be unset. If there is any change in subscription due to ISDR/DSR, then the updated parameter must be sent to the UE during the next IM-Exit.

The **ims-apn** CLI command in the Call Control Profile Configuration mode is enhanced to configure the network identifier on MME.

## Define Same TAI in Multiple TAI Lists

The MME could have a tracking area in only one tracking area list (TAI List). Consequently, the tracking area list assigned to subscribers attaching from different TAIs will be same, even if the adjacency of these tracking areas is not same. This results in MME getting TAUs even as subscribers moved to the adjacent area.

The MME will allow operators to configure adjacency lists as TAI Lists, thus reducing the Tracking Area Updates (TAU) received by MME. This feature enables the MME to send configured customized TAI List in ATTACH\_ACCEPT/TAU\_ACCEPT when a request is received from the custom or border TAIs.

The reduced TAU results in less signaling load on the MME and better operational efficiency.

## Delay Value IE Support in MME

MME sends configured delay value as "Data Notification Delay" in DDN-ACK and "Delay Downlink Packet Notification Request" IE in Modify-Bearer-Request to SGW. When the delay value is not configured, this IE will not be included in DDN-ACK and Modify bearer request messages.

### ddn-delay

Use the following configuration to configure ddn-delay value.

```
configure
  context context_name
    mme-service mme-service_name
      ddn-delay ddn-delay_value
    no ddn-delay
  end
```

### NOTES:

- **no**: Removes the configured downlink-data-notification delay value.
- **ddn-delay** Configures the downlink-data-notification delay value in multiples of 50 milliseconds. *ddn-delay\_value* is an integer and it must be between 0 and 255.

### show mme-service all

The output of this command includes "DDN Delay Value".

## eCGI in PLA/RR Messages

To retrieve the geographical position of a UE, the MME includes the location estimate and the eCGI value in the PLA/LRR messages that is sent to the GMLC. The eCGI value is independent of the response received from the E-SMLC.

In releases prior to 21.5: During a location service request (to the MME), when the E-SMLC is configured, the MME sends the location service request to the E-SMLC. The E-SMLC processes the location service request and sends only the location estimate information back to the MME, which forwards the data in the PLA/LRR messages to the GMLC. The location estimate in the PLA/LRR messages sent to the GMLC is based on the response received from the E-SMLC.

## Emergency Call Release

Notifying the GMLC of the emergency call release event allows the GMLC to delete all information previously stored for the emergency call in accordance with regulations.

In compliance with 3GPP TS 29.172, the MME location services (LCS) feature supports sending the EMERGENCY\_CALL\_RELEASE event in a subscriber location report (SLR) request message to the gateway mobile location center (GMLC) when an emergency call is released or when an emergency PDN is disconnected at the MME.

With this new functionality, the MME notifies the GMLC of Emergency Call Release. The call release event enables the GMLC to clear the cache for existing calls and to correctly log the duration of an emergency call. Without call release facilitating the clearing of the cache, the location platform could send the old (erroneous) location information in response to a new location request for an E-911 call.

## Emergency Session Support

The MME supports the creation of emergency bearer services which, in turn, support IMS emergency sessions. Emergency bearer services are provided to normally attached UEs and to UEs that are in a limited service state (depending on local service regulations, policies, and restrictions).

The standard (refer to 3GPP TS 23.401) has identified four behaviors that are supported:

- Valid UEs only
- Authenticated UEs only
- IMSI required, authentication optional
- All UEs

To request emergency services, the UE has the following two options:

- UEs that are in a limited service state (due to attach reject from the network, or since no SIM is present), initiate an ATTACH indicating that the ATTACH is for receiving emergency bearer services. After a successful attach, the services that the network provides the UE is solely in the context of Emergency Bearer Services.
- UEs that camp normally on a cell initiates a normal ATTACH if it requires emergency services. Normal attached UEs initiated a UE Requested PDN Connectivity procedure to request Emergency Bearer Services.

## EPS Bearer Context Support

Provides support for subscriber default and dedicated Evolved Packet System (EPS) bearer contexts in accordance with the following standards:

- 3GPP TS 36.412 V8.6.0 (2009-12): 3rd Generation Partnership Project Technical Specification Group Radio Access Network Evolved Universal Terrestrial Access Network (E-UTRAN) S1 signaling transport (Release 8)
- 3GPP TS 36.413 V8.8.0 (2009-12): 3rd Generation Partnership Project Technical Specification Group Radio Access Network Evolved Universal Terrestrial Radio Access Network (E-UTRAN) S1 Application Protocol (S1AP) (Release 8)
- IETF RFC 4960, Stream Control Transmission Protocol, December 2007

EPS bearer context processing is based on the APN that the subscriber is attempting to access. Templates for all of the possible APNs that subscribers will be accessing must be configured within the system. Up to 1024 APNs can be configured on the system.

Each APN template consists of parameters pertaining to how UE contexts are processed such as the following:

- PDN Type: IPv4, IPv6, or IPv4v6
- EPS Bearer Context timers
- Quality of Service

A total of 11 EPS bearer per subscriber are supported. These could be all dedicated, or 1 default and 10 dedicated or any combination of default and dedicated context. Note that there must be at least one default EPS Bearer context in order for dedicated context to come up.

## EPS GTPv2 Support on S11 Interface

Support for the EPS GTPv2 on S11 interface in accordance with the following standards:

- 3GPP TS 29.274 V8.4.0 (2009-12): 3rd Generation Partnership Project Technical Specification Group Core Network and Terminals 3GPP Evolved Packet System (EPS) Evolved General Packet Radio Service (GPRS) Tunneling Protocol for Control plane (GTPv2-C) Stage 3 (Release 8)

The system supports the use of GTPv2 for EPS signaling context processing.

When the GTPv2 protocol is used, accounting messages are sent to the charging gateways (CGs) over the Ga interface. The Ga interface and GTPv2 functionality are typically configured within the system's source context. As specified by the standards, a CDR is not generated when a session starts. CDRs are generated according to the interim triggers configured using the charging characteristics configured for the MME, and a CDR is generated when the session ends. For interim accounting, STOP/START pairs are sent based on configured triggers.

GTP version 2 is always used. However, if version 2 is not supported by the CGF, the system reverts to using GTP version 1. All subsequent CDRs are always fully-qualified partial CDRs. All CDR fields are R4.

Whether or not the MME accepts charging characteristics from the SGSN can be configured on a per-APN basis based on whether the subscriber is visiting, roaming or, home.

By default, the MME always accepts the charging characteristics from the SGSN. They must always be provided by the SGSN for GTPv1 requests for primary EPS Bearer contexts. If they are not provided for secondary EPS Bearer contexts, the MME re-uses those from the primary.

If the system is configured to reject the charging characteristics from the SGSN, the MME can be configured with its own that can be applied based on the subscriber type (visiting, roaming, or home) at the APN level.

MME charging characteristics consist of a profile index and behavior settings. The profile indexes specify the criteria for closing accounting records based specific criteria.



**Important** For more information on GTPv2 configuration, refer to the *Creating and Configuring the eGTP Service and Interface Association* section in the *Mobility Management Entity Configuration* chapter of the *MME Service Administration Guide*.

## ERAB Setup Retry Handling

MME will start Timer (Tm) after the reception of "E-RAB Setup Response" with cause "Interaction with other procedure." Once the timer expires, MME re-transmits the "E-RAB Setup Request." MME supports the maximum retry count. This behavior is CLI controlled.

### erab-setup-rsp-fail retry-timer

Use the following configuration to configure the ERAB Setup retry handling:

```
configure
  context context_name
    mme-service service_name
      policy erab-setup-rsp-fail retry-timer retry_timer max-retries
max_retries
      { default | no } policy erab-setup-rsp-fail retry-timer
    end
```

#### NOTES:

- **no** Disables the retry timer mechanism.
- **default** Restores the default value to existing behavior by disabling the retry timer mechanism.
- **policy** Specifies the user-defined policies like idle mode detach behavior and so on.
- **erab-setup-rsp-fail** Sets the handling for ERAB-SETUP-RESPONSE failure message.
- **retry-timer** *retry\_timer* Configures the retry timer for ERAB Setup Procedure. *retry\_timer* must be an integer value in the range of 1-15.
- **max-retries** *max\_retries* Configures the maximum retry limit for ERAB Setup Procedure. *max\_retries* must be an integer value in the range of 1-10.

## Handling the TAU and Location Update Request/Response

UE triggers TAU, results in MME sending Location Update Request/Response. MME sends TAU Accept to UE (with S1 downlink-nas to eNB). With UE sending TAU Complete, MME sends TMSI Relocation Complete to MSC and Modify Bearer Request towards S-GW.

## HSS Support Over S6a Interface

Provides a mechanism for performing Diameter-based authorization, authentication, and accounting (AAA) for subscriber bearer contexts based on the following standards:

- 3GPP TS 23.401 V8.1.0 (2008-03): 3rd Generation Partnership Project Technical Specification Group Services and System Aspects General Packet Radio Service (GPRS) enhancements for Evolved Universal Terrestrial Radio Access Network (E-UTRAN) access (Release 8)
- 3GPP TS 29.272 V8.1.1 (2009-01): 3rd Generation Partnership Project Technical Specification Group Core Network and Terminals Evolved Packet System (EPS) Mobility Management Entity (MME) and Serving GPRS Support Node (SGSN) related interfaces based on Diameter protocol (Release 8)
- 3GPP TS 33.401 V8.2.1 (2008-12): 3rd Generation Partnership Project Technical Specification Group Services and System Aspects 3GPP System Architecture Evolution (SAE): Security Architecture (Release 8)
- RFC 3588, Diameter Base Protocol, December 2003

The S6a protocol is used to provide AAA functionality for subscriber EPS Bearer contexts through Home Subscriber Server (HSS).

During the initial attachment procedures the MME sends to the USIM on AT via the HSS the random challenge (RAND) and an authentication token AUTN for network authentication from the selected authentication vector. At receipt of this message, the USIM verifies that the authentication token can be accepted and if so, produces a response. The AT and HSS in turn compute the Cipher Key (CK) and Integrity Key (IK) that are bound to Serving Network ID. During the attachment procedure the MME requests a permanent user identity via the S1-MME NAS signaling interface to eNodeB and inserts the IMSI, Serving Network ID (MCC, MNC) and Serving Network ID it receives in an Authentication Data Request to the HSS. The HSS returns the Authentication Response with authentication vectors to MME. The MME uses the authentication vectors to compute the cipher keys for securing the NAS signaling traffic.

At EAP success, the MME also retrieves the subscription profile from the HSS which includes QoS information and other attributes such as default APN name and S-GW/P-GW fully qualified domain names.

Among the AAA parameters that can be configured are:

- Authentication of the subscriber with HSS
- Subscriber location update/location cancel
- Update subscriber profile from the HSS
- Priority to dictate the order in which the servers are used allowing for multiple servers to be configured in a single context
- Routing Algorithm to dictate the method for selecting among configured servers. The specified algorithm dictates how the system distributes AAA messages across the configured HSS servers for new sessions. Once a session is established and an HSS server has been selected, all subsequent AAA messages for the session will be delivered to the same server.

## IE-Extension Support for Bearers SubjectToStatusTransfer\_Item

Support for Extension IEs in Bearers\_SubjectToStatusTransfer\_Item is added to enable MME to include the extension IEs in MME status transfer message to target eNB.

Bearers\_SubjectToStatusTransfer\_Item Extension IEs are sent from source eNB in eNB-Status-Transfer message.

## IMSI Manager Scaling

The support for the expanded capacities of the VPC-DI and ASR5500 platforms, the IMSIMgr Scaling feature increases the number of IMSI managers on the MME to a maximum of 4. This number is configurable.

The IMSIMgr is the demultiplexing process that selects the SessMgr instance to host a new session based on a demux algorithm logic to host a new session by handling new call requests from the MMEMgr, the EGTPC Mgr, and the (e)SGTPCMgr (New MME handoffs). The new call requests or signaling procedures include Attach, Inter-MME TAU, PS Handover, and SGs, all of which go through the IMSIMgr. The IMSIMgr process also maintains the mapping of the UE identifier (for example, IMSI/GUTI) to the SessMgr instance.




---

**Important** IMSIMgr scaling is only available on the ASR5500 and VPC-DI platforms.

---

By increasing the number of IMSIMgr instances, the new call handling capacity (primarily for Attach and SGs procedures) of the MME is increased as the calls are distributed across multiple instances. The call distribution logic across IMSIMgrs utilizes a simple hash operation on IMSI/GUTI to select the IMSIMgr instance.

It is the MMEMgr/EGTPC Mgr/SGTPC Mgr that selects an IMSIMgr instance to be contacted for session setup. Each subscriber session in a SessMgr will maintain the IMSIMgr instance number that hosts the mapping for the IMSI. The SessMgrs now remembers the IMSIMgr instance IDs per subscriber for the target IMSIMgr instance number (IMSIMgr instance ID calculated by hash on the IMSI).

All IMSIMgr instances will send the current count of sessions per MME service to the MMEMgr via existing response messaging. The MMEMgr will send the same data received from multiple IMSIMgr instances back to the IMSIMgr in existing request messaging. As a result, each IMSIMgr will know the session count per MME service for all IMSIMgr instances. Given this information, the per MME service session limits can now be enforced by each IMSIMgr instance.

This feature does not require a special license.

The following changes are observed when the number of IMSI managers set is more than 1:

- It is possible to initiate an audit request for a single, specific IMSIMgr instance.
- Increased tolerance for configurable MME per service session limits. This can be noticed when configuring commands such as **bind** in the MME Service configuration mode.
- Increased tolerance for Attach rate control as the MME Attach rate control will be independently enforced by each IMSIMgr instance.




---

**Important** The **task facility imsimgr max** command sets the number of IMSI managers. This is a **boot-time** configuration and must be added in the configuration file to be implemented at startup and before any MME related configuration takes effect, that is before any IMSIMgr is started. The run-time configuration of this CLI *does not* have any effect.

---




---

**Important** After you configure the **task facility imsimgr max** command, you must save the configuration and then reload the chassis for the command to take effect. For information on saving the configuration file and reloading the chassis, refer to the *System Administration Guide* for your deployment.

---



## Inter-MME Handover Support

The S10 interface facilitates user mobility between two MMEs providing for the transfer of the UE context from one to the other. It is a GTPv2 control plane interface that supports the following handover types and features:

- E-UTRAN-to-UTRAN (MME-to-MME) handover through:
  - Tracking Area Update based inter-MME relocation
  - Attach at an eNodeB connected to a different MME
  - S1 handover based inter-MME relocation
- The MME supports handing over multiple bearers and multiple PDNs over to another MME
- Trace functionality, monitor protocol, and monitor subscriber
- DNS client configuration
- IPv4 and IPv6: for peer MME selection, the preference is given to IPv6 addresses. IPv4 addresses are ignored if IPv6 addresses are present.

## Interworking Support

This section describes various interworking and handover scenarios supported by the MME, including:

- Interworking with SGSNs
- Handover Support for S4 SGSNs
- Unoptimized Non-3GPP Handover Support

### Interworking with SGSNs

This feature enables an integrated EPC core network to anchor calls from multi-mode access terminals and supports seamless mobility on call hand-offs between an LTE or GERAN/UTRAN access network. This provides a valuable function to enable LTE operators to generate incremental revenue from inbound roaming agreements with 2G/3G roaming partners.

In order to support inter-RAT hand-offs for dual-mode access terminals between LTE and 2G/3G networks with 3GPP Pre-Release 8 SGSN's, the MME will support combined hard handover and SRNS relocation procedures via the GTPv1 Gn/Gp reference interface. In preparation for the handover, the MME sends a Forward Relocation Request to the SGSN and includes subscriber identity and context information including IMSI, Mobility Management context and PDP context. The PDP context includes the GGSN address for the user plane and the uplink Tunnel Endpoint ID. These addresses are equivalent to the PDN GW address. The MME maps the EPS bearer parameters to the PDP contexts.

After sending the forward relocation signaling to the target SGSN, the MME deletes the EPS bearer resources by sending a Delete Bearer Request to the S-GW with a Cause code that instructs the S-GW not to initiate delete procedures toward the P-GW.

When a mobile subscriber roams from an EUTRAN to GERAN/UTRAN access network it must also send a Routing Area Update (RAU) to register its location with the target network. The target SGSN sends a Context Request to the MME with P-TMSI to get the Mobility Management contexts and PDP contexts for the subscriber session. The SGSN uses the Globally Unique Temporary ID (GUTI) from the MME to identify the P-TMSI/RAI.

## Handover Support for S4-SGSNs

The S3 interface facilitates user mobility between an MME and an S4-SGSN providing for the transfer of the UE context between the two. It is a GTPv2 control plane interface that supports the following handover types:

- E-UTRAN-to-UTRAN and E-UTRAN-to-GERAN (MME-to-R8 SGSN) handover through:
  - Routing Area Update (RAU) based MME-R8 SGSN relocation where the RAU could be a result of UE movement.
  - Attach at an RNC connected to a R8 SGSN
  - S1 handover/SRNS relocation based MME-R8 SGSN relocation
- UTRAN-to-E-UTRAN and GERAN-to-E-UTRAN (R8 SGSN-to-MME) handover through:
  - Tracking Area Update (TAU) based R8 SGSN-MME relocation where the TAU could be a result of UE movement.
  - Attach at an eNodeB connected to an MME.
  - SRNS relocation/S1 handover based R8 SGSN-MME relocation.

All handover types support handing over multiple bearers and multiple PDNs from the MME to a R8 SGSN and vice versa.

The S3 interface also supports the following features:

- Monitor Protocol and Monitor Subscriber
- Subscriber Session Trace
- IPv4 and IPv6: for peer SGSN selection, the preference is given to IPv6 addresses. IPv4 addresses are ignored if IPv6 addresses are present.
- Operator Policy for SGSN selection
- Session Recovery: all MME sessions established using the S3 interface are capable of being recovered in case of a session manager task failure.

## Unoptimized Non-3GPP Handover Support

The MME provides support for Non-3GPP to EUTRAN and EUTRAN to Non-3GPP un-optimized handovers. These include the LTE-eHRPD handover scenarios in sections 8.2.1.1 and 8.2.1.2, and 8.2.2 and 8.2.3 of 3GPP TS 23.402-910.

No configuration is required to enable this functionality on the MME.

Note:

- PDN Connectivity request should contain Request Type as HANDOVER.
- P-GW is selected only through HSS-provided P-GW address or FQDN (MIP6-Info), with P-GW allocation type as static always.
- In the case of multiple PDN connectivity during handover from non-3gpp access to EUTRAN, the ESM PDN connectivity message from UE is transported via S1AP Uplink NAS transport. All other such PDN connectivity requests shall be rejected.

- Handovers to other access (such as UTRAN, GERAN) are only supported after the S11 modify bearer procedures with S-GW have been completed for all PDNs.

**Performance Indicators:**

The following MME schema bulk statistics track the number of outbound and inbound non-3GPP handovers that were attempted, were successful, and which failed. Note: During an inbound relocation, both the handover statistics and relevant attach/PDN connectivity statistics will be incremented.

- out-non-3GPP-ho-attempted
- out-non-3GPP-ho-success
- out-non-3GPP-ho-failures
- in-non-3GPP-ho-attempted
- in-non-3GPP-ho-success
- in-non-3GPP-ho-failures

The **show mme-service statistics** command also displays the number of outbound and inbound non-3GPP handovers that were attempted, were successful, and which failed. Note that these counters increment on a per-PDN basis.

The system disconnect reason **disc-reason-484 - mme-reloc-to-non-3GPP** tracks the total number of session disconnects resulting from outbound non-3GPP handovers.

## IPv6 PDN Type Restriction

MME will not allow the UE to get connected to PDN Type IPv6. This means that MME will not allow the UE to include IPv6 address even if the UE has requested and subscribed for the IPv6 address.

MME will ensure that PDN will not receive any IPv6 address either by rejecting with PDN Connectivity Request or by overriding it only with IPv4 address.

The following table explains the behavior of MME when the **pdn-type-override ipv4-only** CLI command is enabled.

UE Requested PDN Type	HSS Subscription	Behavior
IPv4	IPv4v6	PDN is assigned with IPv4 address only.
IPv4	IPv4	PDN is assigned with IPv4 address only.
IPv4	IPv6	PDN Reject with cause 32 "Service option not supported".
IPv6	IPv4v6	PDN is assigned with IPv4 address only.
IPv6	IPv4	PDN Reject with cause "Only IPv4 is supported".
IPv6	IPv6	PDN Reject with cause 32 "Service option not supported".

UE Requested PDN Type	HSS Subscription	Behavior
IPv4v6	IPv4v6	PDN is assigned with IPv4 address only.
IPv4v6	IPv4	PDN is assigned with IPv4 address only.
IPv4v6	IPv6	PDN Reject with cause 32 "Service option not supported".

- In the Call Control Profile Configuration mode, the **pdn-type-override** CLI command is enhanced to enable the MME to allow only IPv4 addresses to a PDN connection. The default behavior allows PDN to have IPv6 addresses when subscription allows it.

**configure**

```
call-control-profile profile_name
  [ remove ] pdn-type-override ipv4-only
end
```

- The **PDN Type IPv6 Denied** field in the output of the **show call-control-profile full all** command displays "Configured" or "Not Configured" to indicate whether the MME is enabled to allow only IPv4 addresses to a PDN connection.

## IPv6 Support

This feature allows IPv6 subscribers to connect via the LTE/SAE infrastructure in accordance with the following standards:

- RFC 2460: Internet Protocol, Version 6 (IPv6) Specification
- RFC 2461: Neighbor Discovery for IPv6
- RFC 2462: IPv6 Stateless Address Autoconfiguration
- RFC 3314: Recommendations for IPv6 in 3GPP Standards
- RFC 3316: Internet Protocol Version 6 (IPv6) for Some Second and Third Generation Cellular Hosts
- RFC 3056: Connection of IPv6 domains via IPv4 clouds
- 3GPP TS 27.060: Mobile Station Supporting Packet Switched Services
- 3GPP TS 29.061: Interworking between the Public Land Mobile Network (PLMN) supporting Packet Based Services and Packet Data Networks (PDN)

The MME allows an APN to be configured for IPv6 EPS Bearer contexts. Also, an APN may be configured to simultaneously allow IPv4 EPS Bearer contexts.

The MME supports IPv6 stateless dynamic auto-configuration. The mobile station may select any value for the interface identifier portion of the address. The link-local address is assigned by the MME to avoid any conflict between the mobile station link-local address and the MME address. The mobile station uses the interface identifier assigned by the MME during the stateless address auto-configuration procedure. Once this has completed, the mobile can select any interface identifier for further communication as long as it does not

conflict with the MME's interface identifier that the mobile learned through router advertisement messages from the MME.

Control and configuration of the above is specified as part of the APN configuration on the MME, e.g., IPv6 address prefix and parameters for the IPv6 router advertisements. RADIUS VSAs may be used to override the APN configuration.

Following IPv6 EPS Bearer context establishment, the MME can perform either manual or automatic 6to4 tunneling, according to RFC 3056, Connection of IPv6 Domains Via IPv4 Clouds.

## MME Interfaces Supporting IPv6 Transport

The following MME interfaces support IPv6 transport:

- S1-MME: runs S1-AP/SCTP over IPv6 and supports IPv6 addresses for S1-U endpoints.
- S3
- S6a
- S10
- S11
- S13
- SBc
- SGs
- SLg
- SLs
- Sv
- Gn

## Load Balancing

Load balancing functionality permits UEs that are entering into an MME pool area to be directed to an appropriate MME in a more efficient manner, spreading the load across a number of MMEs.

Load balancing is achieved by setting a weight factor for each MME so that the probability of the eNodeB selecting an MME is proportional to its weight factor. The weight factor is typically set according to the capacity of an MME node relative to other MME nodes. The weight factor is sent from the MME to the eNodeB via S1-AP messages.

Refer to the *Load Balancing and Rebalancing* chapter for more information about this feature.

MME load balancing can be used in conjunction with congestion control. For more information on congestion control, refer to the [Congestion Control](#) section in this chapter.

## Load Re-balancing

The MME load re-balancing functionality permits UEs that are registered on an MME (within an MME pool area) to be moved to another MME.

The rebalancing is triggered using an exec command on the mme-service from which UEs should be offloaded.

When initiated, the MME begins to offload a cross-section of its subscribers with minimal impact on the network and users. The MME avoids offloading only low activity users, and it offloads the UEs gradually (configurable from 1-1000 minutes). The load rebalancing can off-load part of or all the subscribers.

Refer to the *Load Balancing and Rebalancing* chapter in the *MME Administration Guide* for more information about this feature.

## Local Cause Code Mapping

Local cause code mapping provides the operator with the flexibility to ignore the default EPS Mobility Management (EMM) cause code and to configure a preferred EMM cause code to be sent to a UE in response to a procedural failure. For example, the operator can instruct the MME to return one of six different EMM cause codes other than the default when the context received from a peer SGSN (during a TAU procedure) does not contain any active PDP contexts.

Local cause code mapping can be configured in either or both the MME-Service configuration or in the Call-Control Profile configuration. Refer to these two configuration modes in the *Command Line Interface Reference* to see the current list of **local-cause-code-mapping** commands.

## Management System Overview

The Operation and Maintenance module of the system offers comprehensive management capabilities to the operators and enables them to operate the system more efficiently. There are multiple ways to manage the system either locally or remotely using its out-of-band management interfaces. For up-to-date details on the management options, refer to the *System Administration Guide*.

Operator-based MME configuration and monitoring functionality is enabled by default for console-based access via the command line interface. For more information on command line interface based management, refer to the *Command Line Interface Reference*.

## MME Double Counting Statistics of DECOR Rerouted Attach Accept

MME will not fetch UUT from HSS if it has already received from peer MME/SGSN and also in case of reroute scenarios.

In case of Initial attach (including local GUTI attach), when DECOR and the new CLI are configured, MME will fill the AIR-Flags to fetch UUT from HSS, irrespective of the UUT stored in MME-DB.

## MMEMgr Scaling to Support VPC-DI and USP

MME has undergone architectural changes to allow enhanced operations on Cisco's Virtual Packet Core (VPC)- Distributed Instance (DI) platform. VPC (Cisco's brand name for StarOS VM instances) is StarOS running as a virtual machine (VM). Multiple VMs act as a single StarOS instance with shared interfaces, shared service addresses, load balancing, redundancy, and a single point of management.

For the MME to take advantage of next generation platforms, such as the VPC-DI and USP, the MME architecture has been changed to allow:

- Linear capacity (memory) growth to support greater numbers of UEs and ENBs
- Signaling performance growth in term of CEPS
- Improved redundancy for RAN connections
- MMEMgr tasks are distributed across session PSC/DPC/SF-VM
- MMEDemux tasks are moved to demux PSC/DPC/SF-VM

- IMSIMgr scaling has increased the number of possible IMSIMgr tasks
- The maximum number of MME managers supported per SF is 4 for USP and VPC-DI platforms.
- In 21.9 and later releases: The maximum number of MMEMgrs supported per chassis is 48 for USP and VPC-DI platforms.  
In releases prior to 21.9: The number of MMEMgrs is increased to 24 on the VPC-DI platform.
- Two models of configuration, normal density and high density

For more information on the VPC platform, contact your Cisco Representative.

## MME Pooling

Provides support to configure MME pool area consisting multiple MMEs within which a UE may be served without any need to change the serving MME.

The benefits of MME pooling are:

- Enables Geographical Redundancy, as a pool can be distributed across sites.
- Increases overall capacity, as load sharing across the MMEs in a pool is possible (see the Load Balancing feature in this chapter).
- Converts inter-MME Tracking Area Updates (TAUs) to intra-MME TAUs for moves between the MMEs of the same pool. This substantially reduces signaling load as well as data transfer delays.
- Eases introduction of new nodes and replacement of old nodes as subscribers can be moved in a planned manner to the new node.
- Eliminates single point of failure between an eNodeB and MME.
- Enables service downtime free maintenance scheduling.

An MME Pool Area is defined as an area within which a UE may be served without need to change the serving MME. An MME Pool Area is served by one or more MMEs in parallel. MME Pool Areas are a collection of complete Tracking Areas. MME Pool Areas may overlap each other.

The Cisco MME supports MME Pooling functionality as defined in 3GPP TS 23.401. MME pooling allows carriers to load balance sessions among pooled MMEs.

The Cisco MME supports configuration of up to a pool size of 32 nodes.

## MME Selection

The MME selection function selects an available MME for serving a UE. This feature is needed for MME selection for handover with minimal MME changes.

MME selection chooses an available MME for serving a UE. Selection is based on network topology, i.e. the selected MME serves the UE's location and in case of overlapping MME service areas, the selection function may prefer MME's with service areas that reduce the probability of changing the MME.

## Mobile Equipment Identity Check

The Mobile Equipment Identity Check Procedure permits the operator(s) of the MME and/or the HSS and/or the PDN-GW to check the Mobile Equipment's identity with EIR.

The mobile equipment (ME) identity is checked through the MME by passing it to an Equipment Identity Register (EIR) over the S13 interface and then the MME analyzes the response from the EIR in order to determine its subsequent actions like rejecting or attaching a UE.

## Mobility Restriction

The following types of mobility restriction are supported on the MME:

- Handover Restriction
- Regional Zone Code Restriction

### Handover Restriction

Mobility Restriction comprises the functions for restrictions to mobility handling of a UE in E-UTRAN access. In ECM-CONNECTED state, the core network provides the radio network with a Handover Restriction List.

The MME performs mobility or handover restrictions through the use of handover restriction lists. Handover restriction lists are used by the MME operator policy to specify roaming, service area, and access restrictions. Mobility restrictions at the MME are defined in 3GPP TS 23.401.

### Regional Zone Code Restriction

Regional Zone Code Restriction allows an operator to control the areas in which a UE can roam in to receive service. The code representing the zone in which a UE is to be offered service by the network can be configured in the HSS or using local provisioning in the MME.

Once provisioned, the following restriction types are supported on the MME:

- HSS subscription based zone code restriction - if the subscription data in the HSS contains zone codes, the UE is allowed to camp only on those zones.

Support for Regional Zone Code restriction based on HSS subscription data allows operators to offer zone based EPC subscriptions to home subscribers.

- Local policy based zone code restrictions - using the operator policy on the MME, certain ranges of IMSI or specific PLMN(s) could be restricted from or allowed to camp on, zones within the MME service area. This policy could apply to any PLMN.

Local policy based zone code restriction allows operators to control access of EPC by roaming subscribers on a zone basis.

## Monitor Protocol Support for DCNR

Monitor Protocol is enhanced to display the newly introduced dcnr flag and rDCNR flag.



## Multiple PDN Support

This feature provides multiple PDN connectivity support for UE initiated service requests.

The MME supports an UE-initiated connectivity establishment to separate P-GWs or a single P-GW in order to allow parallel access to multiple PDNs. Up to 11 PDNs are supported per subscriber.

Refer to *PDN Type Control* in this chapter for information about the ability to control the PDN type (IPv4, IPv6) to which a given UE can be connected.

## NAS Protocol Support

MME provides this protocol support between the UE and the MME. The NAS protocol includes following elementary procedures for EPS Mobility Management (EMM) and EPS Session Management (ESM):

### EPS Mobility Management (EMM)

This feature used to support the mobility of user equipment, such as informing the network of its present location and providing user identity confidentiality. It also provides connection management services to the session management (SM) sublayer.

An EMM context is established in the MME when an attach procedure is successfully completed. The EMM procedures are classified as follows:

- **EMM Common Procedures:** An EMM common procedure can always be initiated when a NAS signaling connection exists.

Following are the common EMM procedure types:

- Globally Unique Temporary Identity (GUTI) reallocation
  - Authentication and security mode
  - Identification
  - EMM information
- **EMM Specific Procedures:** This procedure provides Subscriber Detach or de-registration procedure.
  - **EMM Connection Management Procedures:** This procedure provides connection management related function like Paging procedure.

### EPS Session Management (ESM)

This feature is used to provide the subscriber session management for bearer context activation, deactivation, modification, and update procedures.

## NAS Signaling Security

The NAS Signaling Security feature provides integrity protection and encryption of NAS Signaling. The NAS security association is between the UE and the MME.

The MME uses the NAS security mode command procedure to establish a NAS security association between the UE and MME, in order to protect the further NAS Signaling messages.

See the *NAS Signaling Security* chapter for more information.

## NB-IOT EDRX Supported values in ATTACH/TAU Accept

With release 21.14, for the NBIOT devices, If the Extended DRX parameter values are 4, 6, 7 or 8, it is interpreted as 2 and sent in the Attach-Accept or in the TAU Accept.

## Network Sharing

The LTE architecture enables service providers to reduce the cost of owning and operating the network by allowing the service providers to have separate Core Network (CN) elements (MME, SGW, PDN GW) while the E-UTRAN (eNBs) is jointly shared by them. This is enabled by the S1-flex mechanism by enabling each eNodeB to be connected to multiple CN entities. When a UE attaches to the network, it is connected to the appropriate CN entities based on the identity of the service provider sent by the UE.

In such a network sharing configuration, complete radio (access) network and partial core network is shared among different operators. Each operator has its own network node for S-GW/P-GW, etc., while sharing a MME and the rest of the radio network.

To support this network sharing configuration, the MME service can be configured with multiple local PLMNs per service. This means that each mme-service will handle multiple PLMNs and will indicate this to the eNodeB during S1 SETUP procedure (as well using the S1 MME CONFIGURATION UPDATE message).

The configuration of these additional PLMNs is implemented using the **network-sharing** command within the MME service configuration mode. Refer to the *Command Line Reference* for detailed information on using this command.

When a UE attaches to the MME, the GUTI assignment will use the mme id corresponding to the PLMN configuration. The plmn-id filter in the operator policy selection criteria allows PLMN-specific configurations in an operator policy.

## Operator Policy Support

The operator policy provides mechanisms to fine tune the behavior of subsets of subscribers above and beyond the behaviors described in the user profile. It also can be used to control the behavior of visiting subscribers in roaming scenarios, enforcing roaming agreements and providing a measure of local protection against foreign subscribers.

An operator policy associates APNs, APN profiles, an APN remap table, and a call-control profile to ranges of IMSIs. These profiles and tables are created and defined within their own configuration modes to generate sets of rules and instructions that can be reused and assigned to multiple policies. In this manner, an operator policy manages the application of rules governing the services, facilities, and privileges available to subscribers. These policies can override standard behaviors and provide mechanisms for an operator to get around the limitations of other infrastructure elements, such as DNS servers and HSSs.

The operator policy configuration to be applied to a subscriber is selected on the basis of the selection criteria in the subscriber mapping at attach time. A maximum of 1,024 operator policies can be configured. If a UE was associated with a specific operator policy and that policy is deleted, the next time the UE attempts to access the policy, it will attempt to find another policy with which to be associated.

A default operator policy can be configured and applied to all subscribers that do not match any of the per-PLMN or IMSI range policies.

Changes to the operator policy take effect when the subscriber re-attaches and subsequent EPS Bearer activations.

Refer to the *Operator Policy* chapter in this guide for more information.

## Operator Policy Selection Based on IMEI-TAC

With this feature, the MME selects / re-selects an operator policy for call handling based on the user equipment's (UE's) unique international mobile equipment identity - type allocation code (IMEI-TAC) rather than the normal selection method, which is based on the UE's international mobile subscriber identity (IMSI) and PLMN-ID. The TAC (the first 8 digits of the 15 or 16-digit IMEI / IMEI-SV) serves to identify the equipment type - enabling the operator to configure how calls are handled based on the equipment type. And the operator can configure up to 25,000 IMEI-TAC in groups of individual IMEI-TAC or ranges.

For more information on configuring this functionality, refer to *Operator Policy Selection Based on IMEI-TAC* chapter of the *MME Administration Guide*.

## Overload Control

Using the Congestion Control functionality or the Enhanced Congestion Control functionality, the MME can signal to the eNodeBs to which it is connected to redirect traffic to other MMEs in the MME pool. This is accomplished using the S1 interface Overload Procedure (3GPP TS 36.300 and 3GPP TS 36.413).

When overload control is configured and a congestion threshold is reached, the MME can be configured to send an S1AP Overload Start message to a percentage of the eNodeBs to which the MME is connected. To reflect the amount of load that the MME wishes to reduce, this percentage configurable. In the Overload Response IE sent to the eNodeBs, the MME can request the eNodeB to reject or permit specific types of sessions, including:

- reject non-emergency sessions
- reject new sessions
- permit emergency sessions
- permit high-priority sessions and mobile-terminated services
- reject delay-tolerant access.

For more information or to configure Overload Control using the basic Congestion Control functionality, refer to the *Congestion Control* chapter in the *System Administration Guide*.

For more information or to configure Overload Control using the **Enhanced** Congestion Control functionality, refer to the *Enhanced Congestion Control and Overload Control* chapter in this guide.

## PDN Type Control

PDN Type Control enables the MME to override the requested Packet Data Network (PDN) type based on the inbound roamer PLMN, and assign the UE to an IPv4 only or IPv6 only PDN.

If a UE requests an IPv4v6 PDN, it can be downgraded to an IPv4- or IPv6-only address. The MME signals the appropriate cause to the UE to account for the PDN type change.

This functionality enables operators to control resource usage for roaming and home subscribers differently, and ensures that IP network continuity works for inbound roamers.

PDN Type Control is configured in a call control profile that is applied via an operator policy. Refer to the *Call Control Profile Configuration Mode* chapter of the *Command Line Reference* for more information.

## Packet Data Network Gateway (P-GW) Selection

Provides a straightforward method based on a default APN provided during user attachment and authentication to assign the P-GW address in the VPLMN or HPLMN. The MME also has the capacity to use a DNS transaction to resolve an APN name provided by a UE to retrieve the PDN GW address.

P-GW selection allocates a P-GW that provides the PDN connectivity for the 3GPP access. The function uses subscriber information provided by the HSS and possibly additional criteria. For each of the subscribed PDNs, the HSS provides:

- an IP address of a P-GW and an APN, or
- an APN and an indication for this APN whether the allocation of a P-GW from the visited PLMN is allowed or whether a P-GW from the home PLMN shall be allocated.

The HSS also indicates the default APN for the UE. To establish connectivity with a PDN when the UE is already connected to one or more PDNs, the UE provides the requested APN for the PDN GW selection function.

If the HSS provides an APN of a PDN and the subscription allows for allocation of a PDN GW from the visited PLMN for this APN, the PDN GW selection function derives a PDN GW address from the visited PLMN. If a visited PDN GW address cannot be derived, or if the subscription does not allow for allocation of a PDN GW from the visited PLMN, then the APN is used to derive a PDN GW address from the HPLMN.

## Radio Resource Management Functions

Radio resource management functions are concerned with the allocation and maintenance of radio communication paths, and are performed by the radio access network.

To support radio resource management in E-UTRAN, the MME provides the RAT/Frequency Selection Priority (RFSP) parameter to an eNodeB across S1. The RFSP is a "per UE" parameter that is used by the E-UTRAN to derive UE specific cell reselection priorities to control idle mode camping. The RFSP can also be used by the E-UTRAN to decide on redirecting active mode UEs to different frequency layers or RATs.

The MME receives the RFSP from the HSS during the attach procedure. For non-roaming subscribers, the MME transparently forwards the RFSP to the eNodeB across S1. For roaming subscribers, the MME may alternatively send an RFSP value to the eNodeB across S1 that is based on the visited network policy, such as an RFSP pre-configured per Home-PLMN or a single RFSP's values to be used for all roamers independent of the Home-PLMN.

## RAN Information Management

The MME supports RAN Information Management (RIM) procedures as defined in 3GPP TS 23.401 on the S1-MME, S3, Gn, and S10 interfaces.

RIM procedures allow the MME to exchange information between applications belonging to the RAN nodes. The MME provides addressing, routing and relaying support for the RAN information exchange.

## Reachability Management

It provides a mechanism to track a UE which is in idle state for EPS connection management.

To reach a UE in idle state the MME initiates paging to all eNodeBs in all tracking areas in the TA list assigned to the UE. The EPS session manager have knowledge about all the eNodeB associations to the MME and generates a list of eNodeBs that needs to be paged to reach a particular UE.

The location of a UE in ECM-IDLE state is known by the network on a Tracking Area List granularity. A UE in ECM-IDLE state is paged in all cells of the Tracking Areas in which it is currently registered. The UE may be registered in multiple Tracking Areas. A UE performs periodic Tracking Area Updates to ensure its reachability from the network.

## SCTP Multi-homing Support

This sections describes multi-homing support for specific interfaces on the MME.

- **S1-MME** support for up to two SCTP bind end point IPv4 or IPv6 addresses.
- **S6a** support for up to four SCTP bind end point IPv4 or IPv6 addresses.
- **SbC** support for up to two SCTP bind end point IPv4 or IPv6 addresses.
- **SGs** support for up to two SCTP bind end point IPv4 or IPv6 addresses.
- **SLs** support for up to two SCTP bind end point IPv4 or IPv6 addresses.

## SCTP Dual Stack Support

MME supports Dual Stack in s1-mme. Previously, Stream Control Transmission Protocol (SCTP) endpoints supported the same transport type such as IPv4 for primary and secondary address or IPv6 for primary and secondary address. Now, with dual stack introduction, MME supports primary transport type as IPv4 and secondary transport type as IPv6 or vice versa.



---

**Note** Dual stack does not support Multi-homing functionality.

---

## Serving Gateway Pooling Support

The S-GW supports independent service areas from MME pooling areas. Each cell is associated to a pool of MMEs and a pool of Serving Gateways. Once a cell selects an MME, that MME is able to select an S-GW which is in an S-GW pool supported by the cell.

Static S-GW pools can be configurable on the MME. Each pool is organized as a set of S-GWs and the Tracking Area Identities (TAIs) supported by them, known as a service area (SA). The incoming TAI is used to select an SA. Then, based on protocol and statistical weight factors, an S-GW is selected from the pool serving that SA. The same list of S-GWs may serve multiple TAIs. Static S-GW pools are used if there is no DNS configured or as a fallback if DNS discovery fails.

For additional Information on TAI lists, refer to the *Tracking Area List Management* section in this overview.

## Serving Gateway Selection

The Serving Gateway (S-GW) selection function selects an available S-GW to serve a UE. This feature reduces the probability of changing the S-GW and a load balancing between S-GWs. The MME uses DNS procedures for S-GW selection.

The selection is based on network topology the selected S-GW serves the UE's location, and in the case of overlapping S-GW service areas, the selection may prefer S-GWs with service areas that reduce the probability of changing the S-GW. If a subscriber of a GTP-only network roams into a PMIP network, the PDN GWs (P-GWs) selected for local breakout supports the PMIP protocol, while P-GWs for home routed traffic use GTP. This means the S-GW selected for such subscribers may need to support both GTP and PMIP, so that it is possible to set up both local breakout and home routed sessions for these subscribers.

## Session and Quality of Service Management

This support provides a foundation for contributing towards improved Quality of User Experience (QoE) by enabling deterministic end-to-end forwarding and scheduling treatments for different services or classes of applications pursuant to their requirements for committed bandwidth resources, jitter and delay. In this way, each application receives the service treatment that users expect.

The MME Operator Policy configuration allows the specification of QoS for each traffic class that can either be used as a default or as an over ride to the HSS settings.

In LTE-EPC 4G architectures, QoS management is network controlled via dynamic policy interactions between the PCRF and PDN GW. EPS bearer management is used to establish, modify or remove dedicated EPC bearers in order to provide service treatments tied to the needs of specific applications/service data flows. The service priority is provisioned based on QoS Class Identifiers (QCI) in the Gx policy signaling. PCRF signaling interaction may also be used to establish or modify the APN-AMBR attribute assigned to the default EPS bearer.

When it is necessary to set-up a dedicated bearer, the PDN GW initiates the Create Dedicated Bearer Request which includes the IMSI (permanent identity of mobile access terminal), Traffic Flow Template (TFT - 5-tuple packet filters) and S5 Tunnel Endpoint ID (TEID) information that is propagated downstream via the S-GW over the S11 interface to the MME. The Dedicated Bearer signaling includes requested QoS information such as QCI, Allocation and Retention Priority (ARP), Guaranteed Bit Rate (GBR - guaranteed minimum sending rate) and Maximum Bit Rate (MBR- maximum burst size).

The MME allocates a unique EPS bearer identity for every dedicated bearer and encodes this information in a Session Management Request that includes Protocol Transaction ID (PTI), TFT's and EPS bearer QoS parameters. The MME signals the Bearer Setup Request in the S1-MME message toward the neighboring eNodeB.

## Session Tracing

The subscriber-level Session Tracing provides a 3GPP standards-based session-level trace function for call debugging and testing new functions and access terminals in an LTE environment. In general, the Session Tracing capability records and forwards all control activity for the monitored subscriber on the monitored interfaces. This is typically all the signaling and authentication/subscriber services messages that flow when a UE connects to the access network.

For more information about this functionality, see the *Session Tracing* chapter in this guide.

## State-Location Information Retrieval Flag

In compliance with 3GPP TS 29.272 v11.9.0, the MME sends the "State/Location-Information-Retrieval" flag set in the Feature-List AVP of the Update Location Request (ULR) message over the S6a interface to the HSS at the time the UE attaches. With the "State/Location-Information-Retrieval" flag set, the HSS knows to set the "EPS User State Request", "EPS Location Information Request" and "Current Location Request" bits in the IDR-Flags AVP in IDR messages towards the MME. This subscriber data provides the UE's current location information needed in multiple service scenarios, such as VoLTE services on the IMS side.

For more information about this functionality, see the *State-Location Information-Retrieval Flag* feature chapter in this guide.

## Target Access Restricted for the Subscriber Cause Code

This enhancement is a 3GPP TS (29.274 and 29.060) release compliance enhancement. As per 3GPP TS 29.274 and TS 29.060, the source-serving node (MME/SGSN) is allowed to reject SGSN Context Request (GTPv1) and Context Request (GTPv2) mobility management messages with "Target Access Restricted for the subscriber" cause if target access is restricted for the subscriber based on the Access-Restriction-Data in the subscription profile. The target node (MME/SGSN) is allowed to reject RAU/TAU with anyone one of the following NAS Causes:

- 15 "No suitable cells in tracking area", or
- 13 "Roaming not allowed in this tracking area", or
- 12 "Tracking area not allowed"

New statistics have been introduced under "show egtpc statistics verbose" and "show sgtpc statistics verbose" to reflect the context response sent and received with the new reject cause "Target Access Restricted for the subscriber".

Rejecting RAU/TAU much early in call cycle results in reduced signaling.




---

**Important** No new CLI is provided for GTP cause code mapping to EMM/NAS cause. RAU Reject will always be sent with NAS cause "No suitable cells in location area" and TAU Reject will always be sent with EMM cause "No suitable cells in Tracking Area".

---




---

**Important** The MME and SGSN revert to the old behavior as per earlier releases if the peer node is not capable of sending the RAT-TYPE IE in CONTEXT-REQ message.

---

*For more information refer to the 3GPP TS 29.274 (section 7.3.6), TS 29.060 (section 7.5.4), TS 29.060 Annex B (Table B.5: Mapping from Gn/Gp to NAS Cause values Rejection indication from SGSN) and TS 29.274 Annex C ( Table C.5: Mapping from S3/S16 to NAS Cause values Rejection indication from MME/S4-SGSN)*

## Threshold Crossing Alerts (TCA) Support

Thresholding on the system is used to monitor the system for conditions that could potentially cause errors or outage. Typically, these conditions are temporary (i.e high CPU utilization, or packet collisions on a network) and are quickly resolved. However, continuous or large numbers of these error conditions within a specific time interval may be indicative of larger, more severe issues. The purpose of thresholding is to help

identify potentially severe conditions so that immediate action can be taken to minimize and/or avoid system downtime.

The system supports Threshold Crossing Alerts for certain key resources such as CPU, memory, number of sessions etc. With this capability, the operator can configure threshold on these resources whereby, should the resource depletion cross the configured threshold, a SNMP Trap would be sent.

The following thresholding models are supported by the system:

- **Alert:** A value is monitored and an alert condition occurs when the value reaches or exceeds the configured high threshold within the specified polling interval. The alert is generated then generated and/or sent at the end of the polling interval.
- **Alarm:** Both high and low threshold are defined for a value. An alarm condition occurs when the value reaches or exceeds the configured high threshold within the specified polling interval. The alert is generated then generated and/or sent at the end of the polling interval.

Thresholding reports conditions using one of the following mechanisms:

- **SNMP traps:** SNMP traps have been created that indicate the condition (high threshold crossing and/or clear) of each of the monitored values.

Generation of specific traps can be enabled or disabled on the chassis. Ensuring that only important faults get displayed. SNMP traps are supported in both Alert and Alarm modes.

- **Logs:** The system provides a facility called threshold for which active and event logs can be generated. As with other system facilities, logs are generated Log messages pertaining to the condition of a monitored value are generated with a severity level of WARNING.

Logs are supported in both the Alert and the Alarm models.

- **Alarm System:** High threshold alarms generated within the specified polling interval are considered "outstanding" until a the condition no longer exists or a condition clear alarm is generated. "Outstanding" alarms are reported to the system's alarm subsystem and are viewable through the Alarm Management functionality of an element manager.

The Alarm System is used only in conjunction with the Alarm model.




---

**Important** For more information on threshold crossing alert configuration, refer to the *Thresholding Configuration Guide*.

---

## Tracking Area List Management

Provides the functions to allocate and reallocate a Tracking Area Identity (TAI) list to the UE to minimize Tracking Area Updates (TAUs).

The MME assigns the TAI list to a UE so as to minimize the TAUs that are sent by the UE. The TAI list should be kept to a minimum in order to maintain a lower paging load.

The MME allows up to 16 tracking areas configured locally to be included and sent to the mobile station in Tracking Area List IE as part of Attach/TAU Accept message.



## UMTS to LTE ID Mapping

The MME allows seamless inter-RAT interworking when the operator's networks are configured with LACs allocated from the reserved space of 32K to 64K. 3GPP Specifications have reserved this space for LTE MME Group IDs. The MME and SGSN can distinguish between UMTS IDs (P-TMSI/RAI) and LTE IDs (GUTI) by configuring an MME group ID to PLMN ID mapping.

**Use Case 1:** When a UE moves from 3G to LTE, the UE maps the P-TMSI and RAI to GUTI and uses this mapped GUTI in the TAU Attach Request that it sends to the MME. At the MME, this mapped GUTI gets reverse mapped to P-TMSI and RAI, which are used to fetch the UE's Context from the old SGSN.

**Use Case 1:** When a UE moves from LTE to 3G, the UE maps the GUTI to P-TMSI and RAI, and performs a RAU Attach to the SGSN. A Pre-Rel8 SGSN would attempt to fetch the UE's context over the Gn/Gp interface using the mapped P-TMSI and RAI. At the MME, the P-TMSI and RAI are reverse mapped to GUTI to fetch the locally stored UE's context. An S3-SGSN also behaves similar to Pre-Rel8 SGSN except for the way it discovers the source MME. S3-SGSN identifies the P-TMSI & RAI received in RAU Request as a mapped one and performs LTE specific DNS query using MME ID, to discover the source MME.

For the two use cases above, the MME/S3-SGSN would need to identify whether a given UMTS or LTE ID is a native one or a mapped one. MME GroupID or LAC is used to make this distinction. If the Most Significant Bit(MSB) in LAC is set then the UMTS ID is mapped from LTE. Similarly, if the MSB of MME Group ID is zero then the LTE ID is mapped from UMTS. If the standard defined ranges are not complied, the target MME/S3-SGSN may incorrectly conclude the source node as S3-SGSN/MME. This misinterpretation would lead to unsuccessful attempt to resolve the source node since the DNS query is formulated with the assumption that the source node is either MME or S3-SGSN.

In order to address networks where the 1/0 MSB logic does not apply, the MME and SGSN can rely on a global database of MME Group IDs (configured via CLI) instead of the standards specified MSB, to distinguish between mapped and native UMTS and LTE IDs.

The MME consults this database of MME Group IDs when the below two conditions apply:

1. The MME is not aware of the received GUTI Type, such as when either the UE or the network are not Release 10 compliant.
2. MME-Service is associated with the MME Group ID database.

Refer to *Configuring UMTS to LTE ID Mapping* in Chapter 2 of this document for steps to create and configure this database and to associate the MME service to this database.

## VoLTE Offloading

Offloading of a certain percentage of users can be configured using the **mme offload** command. The MME sends S1 Release (with cause "load balancing TAU required" for offload) to the configured percentage of UEs attached to the MME. The MME does not distinguish between VoLTE and Non-VoLTE subscribers. Some subscribers with voice bearers are also offloaded as a result calls are dropped. This feature enhancement is targeted to preserve VoLTE voice bearers during MME offloading. A new CLI keyword is added to the **mme offload** command to preserve VoLTE subscribers (QCI = 1) from offloading until voice calls are terminated.



---

**Note** This feature enhancement is license controlled. Contact your Cisco Account or Support representative for information on how to obtain a license.

---

## VoLTE Support based on UEs SRVCC Capability

MME sends "Homogeneous-Support-of-IMS-Voice-Over-PS-Sessions" to HSS only for SRVCC capable UEs. Once MME is configured with the **network-feature-support-ie ims-voice-over-ps supported srvc-ue** CLI command, only "SRVCC capable" and "SRVCC subscribed" UEs are allowed to make VoLTE calls. SRVCC non-capable UEs have to do CSFB to get the voice services. This ensures that the UEs not capable of SRVCC will not experience any call disconnects if they move between 4G and 3G networks.

In releases prior to 21.5, MME used to allow all subscribed users to make VoLTE call irrespective of whether SRVCC was supported by the UE or not when **network-feature-support-ie ims-voice-over-ps support** CLI command was configured.

## Features and Functionality - Licensed Enhanced Feature Software

This section describes the optional enhanced features and functions for MME service.



### Important

The following features require the purchase of an additional feature license to implement the functionality with the MME service.

## Feature Description

### 128K eNodeB Connection Support

The MME now supports 128K eNodeB connections for VPC-DI and ASR5500-DPC2 platforms; it has been enhanced from 64K eNodeB connections. A MME manager instance supports 4K eNodeBs, a minimum of 32 MME managers are required to support 128K eNodeB's. If the network has more than 32 MME managers, 128k eNodeB connections limit is not enforced. The support for 128K eNodeB connections is per chassis and not per MME service.

The maximum number of MME managers that can be configured per chassis for the VPC-DI platform has been enhanced from "24" to "48".

### Distribution of Multiple SCTP Association - VLR

The SCTP associations of a VLR are now distributed across MME managers. Distribution of VLR SCTP associations across MME managers helps in achieving better load distribution at the MME managers.

There is no change for load balancing of SGs messages sent by MME across multiple SCTP associations of a VLR.

### S1-SCTP Rate Limiting

The operator can now configure a rate limit for incoming S1 SCTP connections from the eNodeB. This prevents an overload at the MME in case there is a surge of S1 SCTP connections from the eNodeBs. New command keywords **s1-sctp rate limit** are introduced in the **task facility mmedemux** command, they can

be used to specify the rate limit value of connections per second for the chassis. New MME Demux subsystem statistics are introduced to display the number of packets that are dropped due to the configured rate limit.

## Attach Rate Throttling

This feature requires that a valid license key be installed. Contact your Cisco Account or Support representative for information on how to obtain a license.

This feature enables operators to limit the rate at which the MME processes new connections (attaches, TAU requests, and forward relocation requests) which in turn reduces the signaling on the external nodes.

See the **network-overload-protection mme-new-connections-per-second** command in the *Global Configuration Mode Commands* chapter of the *Command Line Reference* for more information.

## Cell Traffic Trace

The Cell Traffic Trace feature provides a 3GPP standard-based cell trace function for tracing all calls in a single cell or multiple cells. Cell Tracing provides the capability to log on to data on any interface at a call level for a specific user or mobile type or a service initiated by a user. In addition, Cell Tracing provides instantaneous values for a specific event.

The Cell Traffic Trace feature is license controlled. Contact your Cisco Account or Support representative for information on how to obtain a license.

For more information on Cell Traffic Trace refer to the *Cell Traffic Trace* feature chapter.

## CSFB and SMS over SGs Interface

This feature requires that a valid license key be installed. Contact your Cisco Account or Support representative for information on how to obtain a license.

Circuit Switched Fallback (CSFB) enables the UE to camp on an EUTRAN cell and originate or terminate voice calls through a forced switch over to the circuit switched (CS) domain or other CS-domain services (e.g., Location Services (LCS) or supplementary services). Additionally, SMS delivery via the CS core network is realized without CSFB. Since LTE EPC networks were not meant to directly anchor CS connections, when any CS voice services are initiated, any PS based data activities on the E-UTRAN network will be temporarily suspended (either the data transfer is suspended or the packet switched connection is handed over to the 2G/3G network).

For additional information, refer to the *CSFB and SMS over SGs Interface* section in this guide.

## CSFB and SRVCC for CDMA

This functionality requires valid license keys be installed. Contact your Cisco Account or Support Representative for information required licenses.

The MME already supports circuit switched fallback (CSFB) and single radio voice call continuity (SRVCC) for E-UTRAN. The MME has expanded support to normal and enhanced CSFB and SRVCC for CDMA 1xRTT (single-carrier radio transmission technology) networks.

The primary purpose of either CSFB or SRVCC for CDMA is to enable a UE from an LTE network to move seamlessly to a CDMA network and ensure that CDMA2000 messages are received from the UE and then

relayed to the MSC (or vice-versa) through S1-APP and S102 interfaces. The MME will use the S102 interface to tunnel the 1xRTT messages between the MME and IWF/MSC.

For details on these functions and their configuration, refer to the *CSFB for 1xRTT* and *SRVCC for 1xRTT* feature chapters in this administration guide.

## Customized Inter-MME SGW S1-Handover and TAU Procedure for PS-LTE Support

In the Public Safety LTE (PS-LTE) network, every MME is co-located with an S-GW and at least one P-GW, and the MME must always use the co-located S-GW and a co-located P-GW for all calls that it handles. This requires configuring the IP addresses of the S11 interface of the S-GW as part of the MME service configuration, and the S5/S8 interface of the P-GW as part of an APN profile configuration. An MME configured for PS-LTE network operation will not send any DNS queries for S-GW or P-GW lookup, it will only use the S-GW configured for PS-LTE operation and the P-GW configured in the matching APN profile regardless of any other configuration present.

All intra-MME S1 and X2 handovers and all TAU Requests with a local GUTI will be serviced by the same S-GW that is configured for PS-LTE network operation with the P-GW(s) used at the time of the initial Attach or relocation to the MME. S-GW relocation is neither necessary nor supported for intra-MME handovers or intra-MME TAU Requests

This feature allows the co-location of the MME, P-GW and S-GW nodes for Public Safety deployments.

This feature requires that a valid license key be installed. Contact your Cisco Account or Support representative for information on how to obtain a license.

## DDN Throttling

The DDN Throttling feature requires that a valid license key be installed. Contact your Cisco Account or Support representative for information on how to obtain a license.

In this feature, MME is provisioned to reject non-priority (traffic based on ARP and LAPI) Downlink Data Notification (DDN) requests when the UE is in idle mode. Additionally, MME dynamically requests S-GW to reduce the number of DDN requests based on a throttling factor and a throttling delay specified in the DDN Ack message.

For more information on configuring this functionality, refer to *DDN Throttling* chapter of the *MME Administration Guide*.

## Enhanced Congestion Control and Overload Control

This feature requires that a valid license key be installed. Contact your Cisco Account or Support representative for information on how to obtain a license.

This feature builds on the functionality provided by the Congestion Control and Overload Control features described in the *Features and Functionality - Base Software* section.

To allow greater control during overload conditions, the MME supports the configuration of three separate levels (critical, major, minor) of congestion thresholds for the following system resources:

- System CPU usage
- System service CPU usage (Demux-Card CPU usage)

- System Memory usage
- License usage
- Maximum Session per service

The MME can, in turn, be configured to take specific actions when any of these thresholds are crossed, such as:

- Drop or reject the following S1-AP/NAS messages: S1 Setup, Handover events, TAU request, Service request, PS-Attach request, Combined-attach request, Additional PDN request, or UE initiated bearer resource allocation.
- Allow voice or emergency calls/events.
- Initiate S1AP overload start to a percentage of eNodeBs with options to signal any of the following in the Overload Response IE:
  - reject non-emergency sessions
  - reject new sessions
  - permit emergency sessions
  - permit high-priority sessions and mobile-terminated services
  - reject delay-tolerant access.

For more information on configuring this functionality, refer to *Enhanced Congestion Control and Overload Control* chapter of the *MME Administration Guide*.

## Feature Description

This feature is developed to provide MME support for eMPS (Enhanced Multimedia Priority Service) in PS (Packet Switched) and CS (Circuit Switched) domains. If UEs subscription information contains MPS-Priority AVP and the MPS-EPS-Priority bit set, the MME classifies such UEs for Enhanced Multimedia Priority Service (eMPS) in PS domain. The MME includes paging priority IE in S1 AP Paging message if it receives events like DDN/CBR/UBR for users having MPS EPS subscription. The MME also supports priority SRVCC handovers by providing ARP information to the MSC in SRVCC PS to CS Request message.



---

**Important** This feature is license controlled. Please consult your Cisco Account Representative for information about the specific license.

---

## HSS-based P-CSCF Restoration

The HSS-based P-CSCF Restoration feature requires that a valid license key be installed. Contact your Cisco Account or Support representative for information on how to obtain a license.

PCSCF Restoration aids in successful establishment of MT VoLTE calls when the serving P-CSCF has failed or unreachable.

The HSS-based P-CSCF Restoration mechanism is executed when a terminating request cannot be serviced due to a P-CSCF failure. The execution is possible if there are no other registration flows available for the terminating UE using an available P-CSCF.

The HSS-based P-CSCF restoration consists of a basic mechanism that makes usage of a path through HSS and MME/SGSN to request the release of the IMS PDN connection to the corresponding UE and an optional extension that avoids the IMS PDN deactivation and re-activation.

The HSS-based P-CSCF Restoration complies with the following standard: 3gpp TS 23.380 section 5.4 HSS-based P-CSCF Restoration.

For more information on configuring this functionality, refer to *HSS-based P-CSCF Restoration* chapter of the *MME Administration Guide*.

## Idle-mode Signaling Reduction

This feature requires that a valid license key be installed. Contact your Cisco Account or Support representative for information on how to obtain a license.

Idle-mode Signaling Reduction (ISR) allows a UE to be registered on (and roam between) E-UTRAN and UTRAN/GERAN networks while reducing the frequency of TAU and RAU procedures and overall signaling.

Refer to the *Idle-mode Signaling Reduction* chapter in the *MME Administration Guide* for more information.

## IP Security (IPSec)

This feature requires that a valid license key be installed. Contact your Cisco Account or Support representative for information on how to obtain a license.

IP Security (IPSec) is a suite of protocols that interact with one another to provide secure private communications across IP networks. These protocols allow the system to establish and maintain secure tunnels with peer security gateways.

IPSec can be implemented on the system for the following applications:

- **PDN Access:** Subscriber IP traffic is routed over an IPSec tunnel from the system to a secure gateway on the packet data network (PDN) as determined by access control list (ACL) criteria.
- **Mobile IP:** Mobile IP control signals and subscriber data is encapsulated in IPSec tunnels that are established between foreign agents (FAs) and home agents (HAs) over the Pi interfaces.



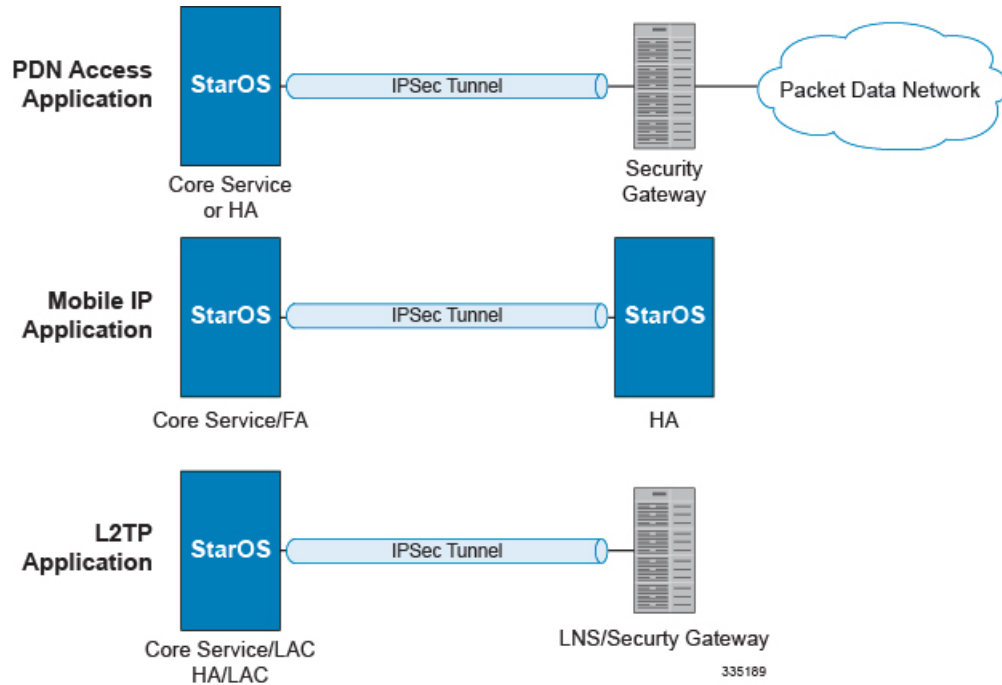
### Important

Once an IPSec tunnel is established between an FA and HA for a particular subscriber, all new Mobile IP sessions using the same FA and HA are passed over the tunnel regardless of whether or not IPSec is supported for the new subscriber sessions. Data for existing Mobile IP sessions is unaffected.

- **L2TP:** L2TP-encapsulated packets are routed from the system to an LNS/secure gateway over an IPSec tunnel.

The following figure shows IPSec configurations.

Figure 4: IPSec Applications



**Important** For more information on IPSec support, refer to the *Cisco StarOS IP Security (IPSec) Reference*.

## IPNE Service Support

The MME supports the IP Network Enabler (IPNE), a Mobile and IP Network Enabler (MINE) client component that collects and distributes session and network information to MINE servers.



**Important** This feature, with its CLI commands, counters, and statistics, are all under development for future use and are not yet fully qualified.

The MINE cloud service provides a central portal for wireless operators and partners to share and exchange session and network information to realize intelligent services.

Implementation of this feature requires configuration of an IPNE Service that is then associated with the MME Service refer to the *IPNE Service Configuration Mode Commands* and *MME Service Configuration Mode Commands* in the *Command Line Interface Reference* manual. This feature and its configuration are described in greater detail in the *IPNE Service* chapter in this guide.

IPNE and MINE clients are each licensed Cisco features. Contact your Cisco account representative for information on licensing requirements. For additional information about this feature and how to configure it, refer to the section on *IPNE Service* in this guide.

## Lawful Intercept

The Lawful Intercept feature-use license is included in the MME session-use license.

The Cisco Lawful Intercept feature is supported on the MME. Lawful Intercept is a license-enabled, standards-based feature that provides telecommunications service providers with a mechanism to assist law enforcement agencies in monitoring suspicious individuals for potential illegal activity. For additional information and documentation on the Lawful Intercept feature, contact your Cisco account representative.

## Location Services

This feature requires that a valid license key be installed. Contact your Cisco Account or Support representative for information on how to obtain a license.

LoCation Services (LCS) on the MME and SGSN is a 3GPP standards-compliant feature that enables the system (MME or SGSN) to collect and use or share location (geographical position) information for connected UEs in support of a variety of location services.

The SLs interface is used to convey LCS Application Protocol (LCS-AP) messages and parameters between the MME to the Evolved Serving Mobile Location Center (E-SMLC). It is also used for tunnelling LTE Positioning Protocols (LPP between the E-SMLC and the target UE, LPPa between the E-SMLC and the eNodeB), which are transparent to the MME.

Refer to the *Location Services* chapter in the *MME Administration Guide* for more information.

## MBMS for MME (eMBMS)

The MME provides full 3GPP TS 23.246 support for the LTE version of multimedia broadcast / multicast service (MBMS) -- eMBMS. Running the Cisco MME-eMBMS service on the MME, the MME communicates with the MBMS GW and the MCE using Sm and M3 interfaces. MME-eMBMS facilitates sessions scheduled by the BM-SC, identifies service areas to be served by a particular MBMS session, and handles session start, update, and stop as well as setup and configuration requests from the MCEs.

The Sm and M3 interfaces for MME-eMBMS require that a valid license key be installed. Contact your Cisco Account or Support representative for information on how to obtain a license.

For more information on configuring this functionality, refer to *MBMS for MME (eMBMS)* chapter of the *MME Administration Guide*.

## MME Handling of PGW Restart

This feature requires that a valid MME Resiliency license key be installed. Contact your Cisco Account or Support representative for information on how to obtain a license.

P-GW Restart Notification Procedure is a standards-based procedure supported on the S-GW to notify detection of P-GW failure to the MME/S4-SGSN. P-GW failure detection is performed by the S-GW when it detects that the P-GW has restarted (based on restart counter received from the restarted P-GW) or when it detects that P-GW has failed but not restarted (based on path failure detection). When an S-GW detects that a peer P-GW has restarted, it deletes all PDN connection table data and bearer contexts associated with the failed P-GW and notifies the MME via P-GW Restart Notification. The S-GW indicates in the echo request/response on S11/S4 interface that the P-GW Restart Notification procedure is supported.



P-GW Restart Notification Procedure is an optional procedure and is invoked only if both the peers, MME/S4-SGSN and S-GW, support it.

In the absence of this procedure, the S-GW will initiate the Delete procedure to clear all the PDNs anchored at that failed P-GW, which can lead to flooding of GTP messages on S11/S4 interface if there are multiple PDNs using that S-GW and P-GW.

The MME adds support for the P-GW restart handling procedures as specified in 3GPP TS 23.007 v11.6.0. An S-GW will send the "PGW Restart Notification" message only to the SGSNs / MMEs that indicated their support of this feature through the Echo Request -> Node Features IE -> PRN bit.

This feature reduces the S11 signaling load between the S-GW and MME in case of a P-GW restart.

### PDN Deactivation Behavior

If a PDN is impacted and needs to be restored:

- If all PDNs of a UE are impacted, a UE in ECM-Connected state will be explicitly detached with cause "reattach required" and a UE in ECM-IDLE state will be paged. If Paging is successful, then the UE will be explicitly detached with cause "reattach required". Otherwise, the UE will be implicitly detached.
- If some PDNs of a UE are impacted, a UE in ECM-Connected will be sent NAS Deactivate Bearer Request with cause "reactivation requested" and a UE in ECM-IDLE state will be paged. If Paging is successful, then the UE will be sent a NAS Deactivate Bearer Request with cause "reactivation requested". Otherwise, the PDN will be locally deactivated.

If a PDN is impacted but does **not** need to be restored:

- If all PDNs of a UE are impacted, a UE in ECM-Connected state will be explicitly detached with cause "reattach required" and a UE in ECM-IDLE state will be paged. If Paging is successful, then the UE will be explicitly detached with cause "reattach required". Otherwise, the UE will be implicitly detached.
- If some PDNs of a UE are impacted, a UE in ECM-Connected will be sent NAS Deactivate Bearer Request with cause "regular deactivation", and a UE in ECM-IDLE will **not** be paged and will be locally deactivated in a paced manner.

### PDN Deactivation Rate

By default, the MME will perform deactivations at the rate of 100 PDNs ( 50 Idle + 50 Connected) per session manager per second. This rate will be applied to MME specific pacing queues ( Idle & Connected).

This default pacing rate can be altered using the **MME Messaging Rate Control** feature.

Refer to the *MME Administration Guide* and to the **network-overload-protection mme-tx-msg-rate** command in the *Global Configuration Mode Commands* chapter of the *Command Line Interface Reference* for more information about this feature.

**Note:** Configuration of this deactivation rate should be based on appropriate dimensioning exercise to arrive at the appropriate rate.

### PDN Reactivation Behavior

After the affected subscribers have been deactivated, the MME will prioritize the re-activation of impacted PDN connections based on subscribed APN restoration priority, if received from the HSS. If an APN restoration priority is not received from the HSS, then this locally configured value is used. If there is no local configuration then by default such PDNs will be assigned the lowest restoration priority.

### Limitations

Currently, the MME does not deactivate a PDN connection upon receiving P-GW Restart Notification when the P-GW serving the PDN is dual IP stack.

The PGW Restart Notification is received with cause PGW-NOT-RESPONDING, however the MME is not able to find the matching P-GW entry as the MME stores either IPv4 or IPv6 PGW address.

This occurs when the PGW Restart Notification does not contain the P-GW IP address stored by MME.

## MME Message Rate Control

This feature requires that a valid MME Resiliency license key be installed. Contact your Cisco Account or Support representative for information on how to obtain a license.

This feature provides controls to mitigate the undesirable effects of congestion due to excessive S1 Paging load or upon failure of an EGTPC path.

See the **network-overload-protection mme-tx-msg-rate-control** command in the *Global Configuration Mode Commands* chapter of the *Command Line Reference* for more information.

### S1 Paging Rate Limit

The MME provides a configuration to limit the rate of S1 paging requests sent per eNodeB. S1 Paging requests exceeding the configured rate threshold are dropped. All S1 Paging requests are treated uniformly without any special considerations for the type of paging request (CS/PS).

### Pacing UE Deactivation

During an EGTPC (S11/S10/S3) path failure, the MME detects the failure and begins the process of deactivating all UE sessions affected. The MME supports two separate configurable internal pacing queues for deactivating UEs: one for active UEs and a second for idle mode UEs. This enables the path failure processing and deactivation pacing rate to be different for each of these queues.

Upon detecting an EGTPC path failure, the impacted EGTPC tunnels are added to separate queues based on ECM-State and deactivations are scheduled based on the respective configured rates.

## MME Restoration - Standards Extension

The feature implements the Network Triggered Service Restoration (NTSR) procedures defined in 3GPP TS 23.007 Release 11 (DDN with IMSI) on the MME.

By implementing the extensions to the standard MME restoration, the robustness of the network is greatly enhanced and potential issues due to the MME downtime are mitigated.

The solution to recover from MME node failures proposed in the 3GPP standards rely on the deployment of MME pools where each pool services a coverage area. Following a MME failure, the S-GW and MSC/VLR nodes may select the same MME that used to service a UE, if it has restarted, or an alternate MME in the same pool to process Network-initiated signaling that it received in accordance with the NTSR procedures defined in 3GPP TS 23.007 Release 11.

Upon receipt of a DDN without any TAI list or other previously sent information from the S-GW after a MME failure or restart, the MME shall proceed with regular IMSI-based paging.

The MME can be configured to throttle IMSI-based DDN requests as needed to maintain adequate service performance for normal procedure processing. Refer to the **network-overload-protection mme-new-connections-per-second** command in the *Global Configuration Mode Commands* chapter of the *Command Line Interface Reference*.

## MME/VLR Restoration Procedure via Alternate MME

The MME now supports the Mobile Terminated CS service delivery via an alternate MME in MME pool feature described in 3GPP TS 23.007 Section 14.1.3 & 26 and 29.118 Release 11.

Upon receipt of a SGs Paging request from a VLR with CS restoration bit set, the MME will perform a regular IMSI-based paging procedure, in the absence of any additional context information. If the CS Restoration Indicator is set, the MME shall page the UE regardless of the value of MME-Reset indicator. The location information shall be set in accordance with the existing procedures for unknown UE with the MME-Reset indicator set to TRUE.

No special configuration is needed to enable this functionality.

## ULA for Periodic TAU when VLR Inaccessible

When processing a periodic TAU request from a UE, if the MME detects that the VLR serving the UE is inaccessible, the MME now selects an alternative VLR that is in service for the UE and performs a location update for non-EPS services procedure towards the selected VLR.

The MME previously supported this functionality in case of non-periodic TAU.

## MTC Features

The MTC feature set allows the operator to handle the signaling storm MTC devices can bring to the network thus ensuring a more robust network and more efficient resource utilization. The MME supports several of the 3GPP TS23.401 R10 machine type communications (MTC) overload control mechanisms to be used in the handling of signaling bursts from machine-to-machine (M2M) devices.

Some of the features in the set include:

- Configurable congestion control for LAPI subscribers.
- Configurable congestion control based on specific APN.
- Support for reject causes with MM and SM back off timers: EMM T3346 timer, ESM T3346 timer, and ESM T3396 timer
- Support for subscribed periodic TAU timer - extended-t3412 timer

The MTC feature set requires that a valid license key be installed. This license will be enforced for usage of related commands. Contact your Cisco Account or Support representative for information on how to obtain a license.

## Network Provided Location Info for IMS

Network provided Location Info (NPLI) enables the MME to send user location information (ULI) to the P-GW/S-GW (and consequently PCRF) in a number of Session Management messages. This information is required for Lawful Intercept (LI), VoLTE, aids in charging in the IMS domain.

The MME supports the PCC-EPC based framework is defined in 3GPP TR 23.842 section 6.4, which allows the P-CSCF to request the user location through PCRF when it needs it (for example at voice call establishment).

This feature requires that a valid license key be installed. Contact your Cisco Account or Support representative for information on how to obtain a license.

No special configuration is required to enable this functionality.

The MME can now report the Location of a UE through the GTPv2 messages using the NPLI IEs (ULI Info, ULI-Timestamp and the UE-Timezone). The ULI Info is now included in the following GTPv2 messages:

- Create Session Request
- Create Bearer Response
- Delete Session Request
- Delete Bearer Response
- Update Bearer Response
- Delete Bearer Command

This feature also includes:

- Support for Retrieve Location Indication in the Update Bearer Request message. For this feature, the MME does not retrieve specific location information of UE but instead uses the last stored location information.
- Support for ULI timestamp in Delete Bearer Response, Delete Session Request and Delete Bearer Command messages. (Added newly in 3GPP TS 29.274 V11.8.0)
- Support for UE Time Zone in Delete Bearer Command messages.

**Note:** NPLI related IEs in CSReq and DSReq messages will be sent only in case of PDN establishment, but not in case of SGW relocation.

## Optimized Paging Support

This feature requires that a valid license key be installed. Contact your Cisco Account or Support representative for information on how to obtain a license.

Also known as heuristic or idle-mode paging, this feature reduces network operations cost through more efficient utilization of paging resources and reduced paging load in the EUTRAN access network.

Idle mode paging over EUTRAN access networks is an expensive operation that causes volumes of signaling traffic between the S-GW and MME/SGSN. This problem is acute in the radio access network, where paging is a shared resource with finite capacity. When a request for an idle mode access terminal is received by the S-GW, the MME floods the paging notification message to all eNodeBs in the Tracking Area List (TAI). To appreciate the magnitude of the problem, consider a network with three million subscribers and a total of 800 eNodeBs in the TAI. If each subscriber was to receive one page during the busy hour, the total number of paging messages would exceed one million messages per second.

To limit the volume of unnecessary paging related signaling, the Cisco MME provides intelligent paging heuristics. Each MME maintains a list of "n" last heard from eNodeBs inside the TAI for the UE. The intent is to keep track of the eNodeBs that the AT commonly attaches to such as the cells located near a person's residence and place of work. During the average day, the typical worker spends the most time attaching to one of these two locations. When an incoming page arrives for the idle mode user, the MME attempts to page the user at the last heard from eNodeB. The MME uses Tracking Area Updates to build this local table. If no response is received within a configurable period, the MME attempts to page the user at the last "n" heard from eNodeBs. If the MME has still not received acknowledgment from the idle mode UE, only then does it flood the paging messages to all eNodeBs in the TAI.

In the majority of instances with this procedure, the UE will be paged in a small set of eNodeBs where it is most likely to be attached.

## Overcharging Protection

This feature requires that a valid license key be installed. Contact your Cisco Account or Support representative for information on how to obtain a license.

Overcharging Protection helps in avoiding charging subscribers for dropped downlink packets while the UE is in idle mode. This feature helps ensure subscribers are not overcharged while the subscriber is in idle mode.

Refer to the *Overcharging Protection* chapter in the *MME Administration Guide* for more information.

## Operator Specific QCI

In Release 20.0, MME has been enhanced to support new standardized QCIs 65, 66, 69 and 70. Also, MME also supports operator specific (non-standard) QCIs from 128 to 254. The non-standard QCIs provides Operator Specific QoS for M2M and other mission critical communications.

The **operator-defined-qci** command under the QoS profile configuration is provisioned to enable or disable Operator Specific QCI. When enabled, MME accepts Operator Specific QCI values (128-254) both from HSS and PGW. If not enabled, MME will reject the procedure on receiving any Operator Specific QCI value.

Additionally, this chapter describes the mapping of operator specific QCIs to Pre-Release8 QoS parameters during a handover to UTRAN/GERAN.

The Operator Specific and Non-Standard QCI Support feature is license controlled. Contact your Cisco Account or Support representative for information on how to obtain a license.

For a complete description of this feature and its configuration requirements, refer to the *Operator Specific QCI* chapter in *MME Administration Guide*.

## Separate Configuration for GTPC Echo and GTPC Non-Echo Messages

GTP echo and GTP message retry timer can be configured separately. The maximum retry number can also be configured separately, in a similar fashion as the timer configuration.

In `egtp-service`, the **echo-max-retransmissions** keyword is added to allow the separate configuration of GTPC echo retransmission.

**Previous Behavior:** The maximum number of retransmission for Echo Requests was configured by **max-retransmissions** configuration option.

**New Behavior:** **echo-max-retransmissions** is introduced explicitly for the configuration of echo max retransmission in the eGTPC Service Configuration Mode.

## Session Recovery Support

The feature use license for Session Recovery on the MME is included in the MME session use license.

The Session Recovery feature provides seamless failover and reconstruction of subscriber session information in the event of a hardware or software fault within the system preventing a fully connected user session from being disconnected.



---

**Important** For more information on session recovery support, refer to the *Session Recovery* chapter in the *System Administration Guide*.

---

## SGSN-MME Combo Optimization

The SGSN-MME Combo Optimization feature enables the co-located SGSN and MME to co-operate with each other in order to achieve lower memory utilization, lower CPU utilization, and reduced signaling towards other nodes in the network.

The SGSN and MME can be enabled simultaneously in the same chassis and, though co-located, they each behave as independent nodes. When functioning as mutually-aware co-located nodes, the SGSN and MME can share UE Subscription data.

This SGSN-MME Combo Optimization feature is enabled with a new CLI command:

- If the operator intends the MME to use DNS to dynamically discover the Target SGSN, then the DNS Server must be configured with an entry for the co-located SGSN.
- If the operator intends the MME to use location configuration to select the Target SGSN, then the MME Service configuration is required to have a **peer-sgsn** entry for the co-located SGSN.

For detailed Combo Optimization feature and implementation description see the *SGSN-MME Combo Optimization* section in the *MME Administration Guide, StarOS Release 18*.

Combo Optimization functionality for both the SGSN and the MME is a licensed Cisco feature. Contact your Cisco account representative for information on acquiring this separate feature license or for any other licensing requirements. For information on installing and verifying licenses, refer to the *Managing License Keys* section in the *System Administration Guide*.

## Single Radio Voice Call Continuity Support

This feature requires that a valid license key be installed. Contact your Cisco Account or Support representative for information on how to obtain a license.

Voice over IP (VoIP) subscribers anchored in the IP Multimedia Subsystem (IMS) network can move out of an LTE coverage area and continue the call over the circuit-switched (CS) network through the use of the Single Radio Voice Call Continuity (SRVCC) feature. The smooth handover of the VoIP call does not require dual-mode radio.

For more information about SRVCC, refer to the *Single Radio Voice Call Continuity* chapter in this document.

## MSC Fallback on Sv Interface

MME maintains the reachability status of MSCs on the Sv interface. Only reachable MSCs are selected for PS to CS handovers (SRVCC procedures). The MSC Fallback feature is currently applicable only when MSC IP address is statically configured in StarOS, and not when MME determines MSC IP using DNS resolution.

When the MSC Fallback feature is enabled, MME acquires the status information independent of any ongoing SRVCC procedures, from the EGTPMGR. The status of an MSC will be unknown until MME acquires its status by sending ECHO requests to the MSCs. If a response is received from the MSC, the status of the MSC is moved to UP state. If no response is received, the MSC is considered to be in the DOWN state (unreachable).

If the status of an MSC is DOWN, ECHO Requests will be sent to the MSCs based on a configured reconnect-interval value. If an MSC responds to the request within this interval, the status of the MSC is changed to UP state. For more information related to reconnect-interval configuration, please refer to the *Configuring MSC Fallback* section.

For PS to CS handovers, MME only selects the MSCs in the UP state. The status information of the MSC provided by the EGTPMGR helps to select only reachable MSCs. This process reduces latency during fallback to reachable MSCs.

The MSC Fallback feature is license controlled. Contact your Cisco Account or Support representative for information on how to obtain a license.

For a complete description of this feature and its configuration requirements, refer to the *Single Radio Voice Call Continuity* chapter in the *MME Administration Guide*.

## Subscribed Periodic TAU Timer

This feature helps the MME to reduce network load from periodic TAU signaling and to increase the time until the UE detects a potential need for changing the RAT or PLMN.

The feature enables the Operator to configure longer values for the periodic TAU timer and Mobile Reachable timer using new commands on the MME.

A new configuration is supported under the MME Service to define an EMM extended-3412 timer value. Refer to the *Command Changes* section below for more information.

The UE must include the "MS network feature support" IE in the Attach Request/TAU Request. This IE indicates to the MME that the UE supports the extended periodic timer T3412, in which case the MME sends the extended-3412 IE in the attach/TAU response. The MME will not forward the extended-T3412 timer value to any UE which has not indicated that it supports this extended-t3412 timer.

The MME supports storing the Subscribed-Periodic-RAU-TAU-Timer value if received as part of subscription data, and deleting this stored value if the corresponding withdrawal flag is received in the DSR command.

For homers, the MME will send the extended-3412 IE value as received in Subscribed-Periodic-RAU-TAU-Timer IE in subscription data.

For roamers, the MME takes the presence of Subscribed-Periodic-RAU-TAU-Timer IE in subscription data as an indication and shall send the extended-3412 IE with the value from the local configuration.

The MME adjusts the configured mobile reachability timer value if the subscribed extended-3412 timer value received from HSS is greater than the sum of the mobile reachability timer + implicit detach timer such that the extended-3412 timer value becomes 10 less than the mobile reachability timer + implicit detach timer.

Refer to 3GPP TS 23.401 Section 4.3.17.3 (Version 10.4.0) & 29.272 for more details.

## Support for Reject Causes with MM and SM Back Off Timers

This feature requires that a valid license key be installed. Contact your Cisco Account or Support representative for information on how to obtain a license.

Under congestion, the MME can now assign EMM or ESM back-off timer to the UEs and request the UEs not to access the network for a given period of time.

Refer to 3GPP TS 23.401 Section 4.3.7.4.2.4 (Version 10.4.0) for more details.

### EMM T3346 Timer

The MME now allows configuration of the T3346 back-off timer value. EMM timer value. The default value of this timer will be set to 25 minutes.

With this feature, when any EMM request rejected by MME because of congestion, the reject will have EMM cause of "congestion" (22) and will include the back-off timer (T3346) IE. This back-off timer is chosen randomly and will be 10 below or above the configured T3346 timer value.

While storing the back-off timer expiry time, MME shall adjust the mobile reachability timer and/or implicit detach timer. This is to make sure that the sum of the mobile reachability timer + implicit detach timer is greater than the back-off timer duration.

The MME will store the DB for at least the EMM back-off timer duration even if the attach is rejected because of congestion. The MME will not start any timer for EMM back-off. Instead, back-off timer expiry time will be stored in the DB as the DB is stored for at least back-off timer duration.

If an EMM call is rejected due to congestion control for EMM, the DB created during ULA will not be cleared and the purge timer will be started for a time period 10 greater than the back-off timer duration. This is done to make sure that DB is available during back-off timer duration to reject any requests during this period and also to avoid the HSS signaling again if the UE comes back immediately after the back-off timer duration.

The MME will not reject any TAU received in EMM-CONNECTED state.

The MME will not reject any requests related to handovers as part of this feature even if EMM back-off timer is running.

The MME will drop attach requests received during congestion while EMM back-off timer is running based on configuration in congestion-action-profile. For example, if configuration is enabled to reject new call only when low priority indication is set and the UE comes without low priority indication while back off timer is running, the MME will accept the new call attempt from the UE.

The MME will not reject/drop attach requests received even if EMM back-off timer is running if the congestion gets cleared.

The MME will forward SGS paging requests received from MSC for a UE attached in MME even if back-off timer is running.

### **ESM T3396 Timer**

The MME allows configuration of the T3396 back-off timer value. When any ESM request is rejected because of congestion, the reject will have ESM cause "Insufficient resources" and will include a back-off timer IE (T3396). This back-off timer is chosen randomly and will be 10 below or above the configured T3396 timer value.

The MME will not start any timer for SM back-off and store the SM back-off timer expiry time. If an SM request is received and if congestion exists, the request will be rejected and a new random value will be sent as the ESM back-off timer value. The MME will reject any subsequent requests from the UE targeting the same APN based on the presence of congestion at that time and not based on the SM back-off time previously sent to the UE.

The T3396 timeout is configurable only for the ESM cause values - 26 'insufficient resources' or 27 'missing or unknown APN'. If the ESM cause value is 26 "insufficient resources" or 27 "missing or unknown APN", the MME will include a value for timer T3396 in the reject message. If the ESM cause value is 26 "insufficient resources" and the request message was sent by a UE accessing the network with access class 11 - 15 or if the request type in the PDN CONNECTIVITY REQUEST message was set to "emergency", the MME will not include a value for timer T3396.

In 21.3 and later releases, the T3396 timer can be configured at APN Profile and Call Control Profile to control the UE behavior depending on the APN and subscriber type. This is compliant with 3GPP TS 24.301 (section 6.5.1.4) and specifically intended for VoLTE signaling control for subscribers that have no IMS subscription. This enhancement can also limit the number of Attach attempts for such subscribers and reduce the signaling impact on EPC nodes.

The T3396 timeout configuration will be applied from APN Profile, Call Control Profile and MME service in decreasing order of precedence. In releases prior to 21.3, the T3396 timeout could only be configured at



the MME service level and the cause value could not be specified. If the ESM message is rejected with either of the cause values, the network will include a value for T3396 timer in ESM reject message. UE will not retry the ESM request message until the T3396 timer expires.

## User Location Information Reporting

This feature requires that a valid license key be installed. Contact your Cisco Account or Support representative for information on how to obtain a license.

User Location Information (ULI) Reporting allows the eNodeB to report the location of a UE to the MME, when requested by a P-GW.

The following procedures are used over the S1-MME interface to initiate and stop location reporting between the MME and eNodeB:

- **Location Reporting Control:** The purpose of Location Reporting Control procedure is to allow the MME to request that the eNodeB report where the UE is currently located. This procedure uses UE-associated signaling.
- **Location Report Failure Indication:** The Location Report Failure Indication procedure is initiated by an eNodeB in order to inform the MME that a Location Reporting Control procedure has failed. This procedure uses UE-associated signaling.
- **Location Report:** The purpose of Location Report procedure is to provide the UE's current location to the MME. This procedure uses UE-associated signaling.

The start/stop trigger for location reporting for a UE is reported to the MME by the S-GW over the S11 interface. The Change Reporting Action (CRA) Information Element (IE) is used for this purpose. The MME updates the location to the S-GW using the User Location Information (ULI) IE.

The following S11 messages are used to transfer CRA and ULI information between the MME and S-GW:

- **Create Session Request:** The ULI IE is included for E-UTRAN Initial Attach and UE-requested PDN Connectivity procedures. It includes ECGI and TAI. The MME includes the ULI IE for TAU/ X2-Handover procedure if the P-GW has requested location information change reporting and the MME support location information change reporting. The S-GW includes the ULI IE on S5/S8 exchanges if it receives the ULI from the MME. If the MME supports change reporting, it sets the corresponding indication flag in the Create Session Request message.
- **Create Session Response:** The CRA IE in the Create Session Response message can be populated by the S-GW to indicate the type of reporting required.
- **Create Bearer Request:** The CRA IE is included with the appropriate Action field if the Location Change Reporting mechanism is to be started or stopped for the subscriber in the MME.
- **Modify Bearer Request:** The MME includes the ULI IE for TAU/Handover procedures and UE-initiated Service Request procedures if the P-GW has requested location information change reporting and the MME supports location information change reporting. The S-GW includes this IE on S5/S8 exchanges if it receives the ULI from the MME.
- **Modify Bearer Response:** The CRA IE is included with the appropriate Action field if the Location Change Reporting mechanism is to be started or stopped for the subscriber in the MME.
- **Delete Session Request:** The MME includes the ULI IE for the Detach procedure if the P-GW has requested location information change reporting and MME supports location information change reporting. The S-GW includes this IE on S5/S8 exchanges if it receives the ULI from the MME.

- **Update Bearer Request:** The CRA IE is included with the appropriate Action field if the Location Change Reporting mechanism is to be started or stopped for the subscriber in the MME.
- **Change Notification Request:** If no existing procedure is running for a UE, a Change Notification Request is sent upon receipt of an S1-AP location report message. If an existing procedure is running, one of the following messages reports the ULI:
  - Create Session Request
  - Create Bearer Response
  - Modify Bearer Request
  - Update Bearer Response
  - Delete Bearer Response
  - Delete Session Request

If an existing Change Notification Request is pending, it is aborted and a new one is sent.



#### Important

Information on configuring User Location Information Reporting support is located in the *Configuring Optional Features on the MME* section of the *Mobility Management Entity Configuration* chapter in this guide.

## VLR Management

These features require that a valid license key be installed. Contact your Cisco Account or Support representative for information on how to obtain a license.

The following features provide for additional resiliency of the Circuit Switched Fallback (CSFB) service.

- **Passive VLR Offloading and Active VLR Offloading:** The MME supports the capability to passively offload UEs for a specific VLR. This capability enables operators to preemptively move subscribers away from an SGs interface associated with a VLR which is planned for maintenance mode.

Active VLR Offloading provides all of the functionality of Passive VLR Offloading, but also actively detaches UEs associated with the VLR during an operator-specified time period. This expedites the process of offloading UEs prior to a planned VLR maintenance event.

Both passive and active offload functionality is available only for VLRs within a LAC pool area.

- **UE Detach on VLR Failure:** The MME supports the ability to perform a controlled release of UEs when a VLR connection becomes unavailable.
- **UE Detach on VLR Recovery:** The MME also has the ability to perform a controlled release of CSFB (SMS-only) UEs when a failed VLR becomes responsive again (thereby returning the UE to a combined attached state on a different VLR).

Refer to the **VLR Management** chapter in the *MME Administration Guide* for more information about these features.

# How the MME Works

This section provides information on the function and procedures of the MME in an EPC network and presents message flows for different stages of session setup.

## EPS Bearer Context Processing

EPS Bearer context processing is based on the APN that the subscriber is attempting to access. Templates for all of the possible APNs that subscribers will be accessing must be configured within the P-GW system.

Each APN template consists of parameters pertaining to how EPS Bearer contexts are processed such as the following:

- **PDN Type:** The system supports IPv4, IPv6, or IPv4v6.
- **Timeout:** Absolute and idle session timeout values specify the amount of time that an MS can remain connected.
- **Quality of Service:** Parameters pertaining to QoS feature support such as for Traffic Policing and traffic class.

A total of 11 EPS bearer contexts are supported per subscriber. These could be all dedicated, or 1 default and 10 dedicated or any combination of default and dedicated context. Note that there must be at least one default EPS bearer context in order for dedicated context to come up.

## Purge Procedure

The purge procedure is employed by the Cisco MME to inform the concerned node that the MME has removed the EPS bearer contexts of a detached UE. This is usually invoked when the number of records exceeds the maximum capacity of the system.

## Paging Procedure

Paging is initiated when there is data to be sent to an idle UE to trigger a service request from the UE. Once the UE reaches connected state, the data is forwarded to it.

Paging retransmission can be controlled by configuring a paging-timer and retransmission attempts on system.

## Subscriber-initiated Initial Attach Procedure

The following figure and the text that follows describe the message flow for a successful user-initiated subscriber attach procedure.

Figure 5: Subscriber-initiated Attach (initial) Call Flow

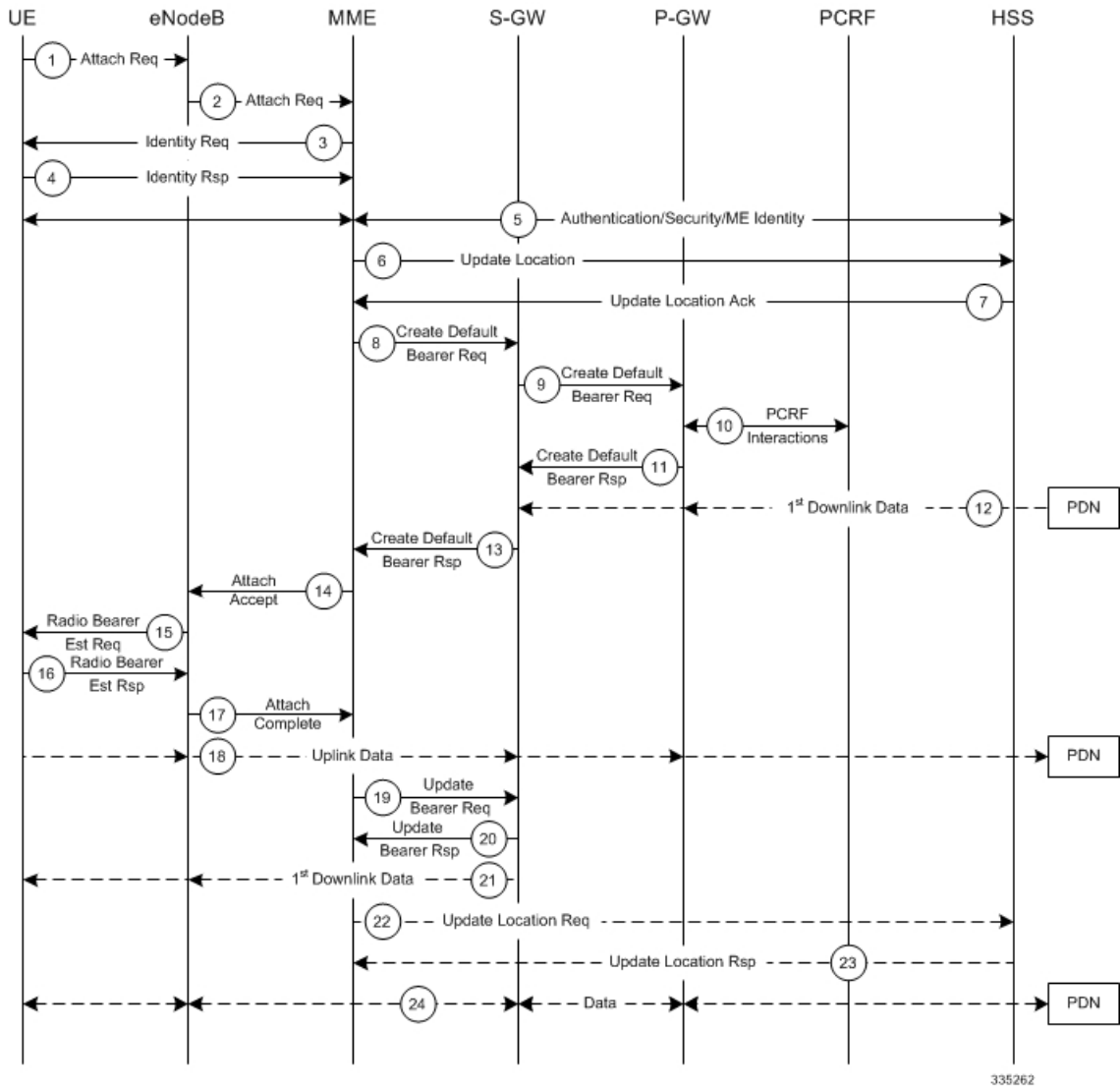


Table 1: Subscriber-initiated Attach (initial) Call Flow Description

Step	Description
1	The UE initiates the Attach procedure by the transmission of an Attach Request (IMSI or old GUTI, last visited TAI (if available), UE Network Capability, PDN Address Allocation, Protocol Configuration Options, Attach Type) message together with an indication of the Selected Network to the eNodeB. IMSI is included if the UE does not have a valid GUTI available. If the UE has a valid GUTI, it is included.
2	The eNodeB derives the MME from the GUTI and from the indicated Selected Network. If that MME is not associated with the eNodeB, the eNodeB selects an MME using an "MME selection function". The eNodeB forwards the Attach Request message to the new MME contained in a S1-MME control message (Initial UE message) together with the Selected Network and an indication of the E-UTRAN Area identity, a globally unique E-UTRAN ID of the cell from where it received the message to the new MME.

Step	Description
3	If the UE is unknown in the MME, the MME sends an Identity Request to the UE to request the IMSI.
4	The UE responds with Identity Response (IMSI).
5	If no UE context for the UE exists anywhere in the network, authentication is mandatory. Otherwise this step is optional. However, at least integrity checking is started and the ME Identity is retrieved from the UE at Initial Attach. The authentication functions, if performed this step, involves AKA authentication and establishment of a NAS level security association with the UE in order to protect further NAS protocol messages.
6	The MME sends an Update Location Request (MME Identity, IMSI, ME Identity) to the HSS.
7	The HSS acknowledges the Update Location message by sending an Update Location Ack to the MME. This message also contains the Insert Subscriber Data (IMSI, Subscription Data) Request. The Subscription Data contains the list of all APNs that the UE is permitted to access, an indication about which of those APNs is the Default APN, and the 'EPS subscribed QoS profile' for each permitted APN. If the Update Location is rejected by the HSS, the MME rejects the Attach Request from the UE with an appropriate cause.
8	The MME selects an S-GW using "Serving GW selection function" and allocates an EPS Bearer Identity for the Default Bearer associated with the UE. If the PDN subscription context contains no P-GW address the MME selects a P-GW as described in clause "PDN GW selection function". Then it sends a Create Default Bearer Request (IMSI, MME Context ID, APN, RAT type, Default Bearer QoS, PDN Address Allocation, AMBR, EPS Bearer Identity, Protocol Configuration Options, ME Identity, User Location Information) message to the selected S-GW.
9	The S-GW creates a new entry in its EPS Bearer table and sends a Create Default Bearer Request (IMSI, APN, S-GW Address for the user plane, S-GW TEID of the user plane, S-GW TEID of the control plane, RAT type, Default Bearer QoS, PDN Address Allocation, AMBR, EPS Bearer Identity, Protocol Configuration Options, ME Identity, User Location Information) message to the P-GW.
10	If dynamic PCC is deployed, the P-GW interacts with the PCRF to get the default PCC rules for the UE. The IMSI, UE IP address, User Location Information, RAT type, AMBR are provided to the PCRF by the P-GW if received by the previous message.
11	The P-GW returns a Create Default Bearer Response (P-GW Address for the user plane, P-GW TEID of the user plane, P-GW TEID of the control plane, PDN Address Information, EPS Bearer Identity, Protocol Configuration Options) message to the S-GW. PDN Address Information is included if the P-GW allocated a PDN address Based on PDN Address Allocation received in the Create Default Bearer Request. PDN Address Information contains an IPv4 address for IPv4 and/or an IPv6 prefix and an Interface Identifier for IPv6. The P-GW takes into account the UE IP version capability indicated in the PDN Address Allocation and the policies of operator when the P-GW allocates the PDN Address Information. Whether the IP address is negotiated by the UE after completion of the Attach procedure, this is indicated in the Create Default Bearer Response.
12	The Downlink (DL) Data can start flowing towards S-GW. The S-GW buffers the data.
13	The S-GW returns a Create Default Bearer Response (PDN Address Information, S-GW address for User Plane, S-GW TEID for User Plane, S-GW Context ID, EPS Bearer Identity, Protocol Configuration Options) message to the new MME. PDN Address Information is included if it was provided by the P-GW.
14	The new MME sends an Attach Accept (APN, GUTI, PDN Address Information, TAI List, EPS Bearer Identity, Session Management Configuration IE, Protocol Configuration Options) message to the eNodeB.
15	The eNodeB sends Radio Bearer Establishment Request including the EPS Radio Bearer Identity to the UE. The Attach Accept message is also sent along to the UE.

Step	Description
16	The UE sends the Radio Bearer Establishment Response to the eNodeB. In this message, the Attach Complete message (EPS Bearer Identity) is included.
17	The eNodeB forwards the Attach Complete (EPS Bearer Identity) message to the MME.
18	The Attach is complete and UE sends data over the default bearer. At this time the UE can send uplink packets towards the eNodeB which are then tunneled to the S-GW and P-GW.
19	The MME sends an Update Bearer Request (eNodeB address, eNodeB TEID) message to the S-GW.
20	The S-GW acknowledges by sending Update Bearer Response (EPS Bearer Identity) message to the MME.
21	The S-GW sends its buffered downlink packets.
22	After the MME receives Update Bearer Response (EPS Bearer Identity) message, if an EPS bearer was established and the subscription data indicates that the user is allowed to perform handover to non-3GPP accesses, and if the MME selected a P-GW that is different from the P-GW address which was indicated by the HSS in the PDN subscription context, the MME sends an Update Location Request including the APN and P-GW address to the HSS for mobility with non-3GPP accesses.
23	The HSS stores the APN and P-GW address pair and sends an Update Location Response to the MME.
24	Bidirectional data is passed between the UE and PDN.

## Subscriber-initiated Detach Procedure

The following figure and the text that follows describe the message flow for a user-initiated subscriber de-registration procedure.

**Table 2: Subscriber-initiated Detach Call Flow Description**

Step	Description
1	The UE sends NAS message Detach Request (GUTI, Switch Off) to the MME. Switch Off indicates whether detach is due to a switch off situation or not.
2	The active EPS Bearers in the S-GW regarding this particular UE are deactivated by the MME sending a Delete Bearer Request (TEID) message to the S-GW.
3	The S-GW sends a Delete Bearer Request (TEID) message to the P-GW.
4	The P-GW acknowledges with a Delete Bearer Response (TEID) message.
5	The P-GW may interact with the PCRF to indicate to the PCRF that EPS Bearer is released if PCRF is applied in the network.
6	The S-GW acknowledges with a Delete Bearer Response (TEID) message.
7	If Switch Off indicates that the detach is not due to a switch off situation, the MME sends a Detach Accept message to the UE.
8	The MME releases the S1-MME signaling connection for the UE by sending an S1 Release command to the eNodeB with Cause = Detach.

# Service Request Procedures

Service Request procedures are used to establish a secure connection to the MME as well as request resource reservation for active contexts. The MME allows configuration of the following service request procedures:

- UE-initiated Service Request Procedure
- Network-initiated Service Request Procedure

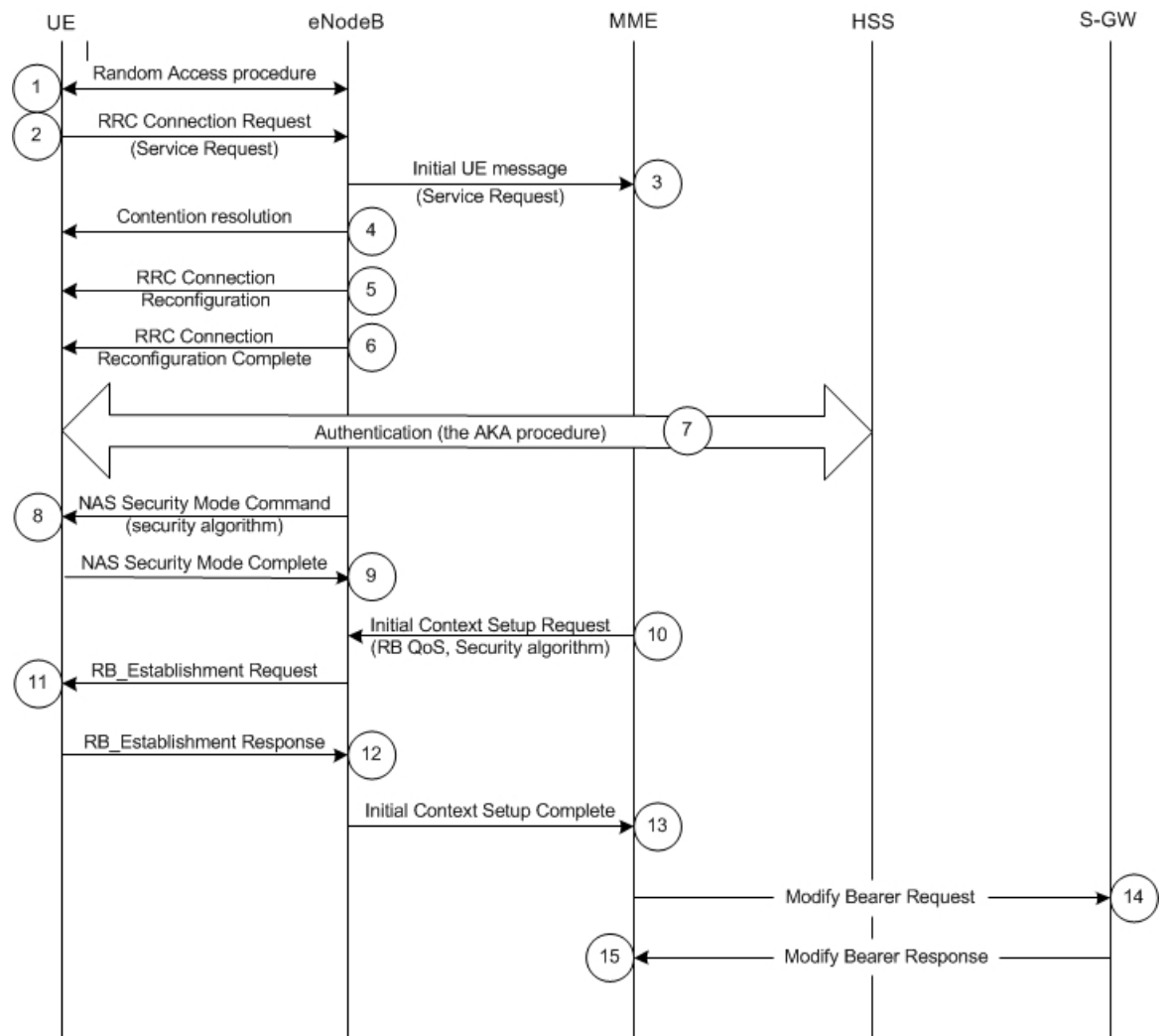
For call flow details for these procedures, refer to the following sections.

## UE-initiated Service Request Procedure

The call flow in this section describes the process for re-connecting an idle UE.

The following figure and the text that follows describe the message flow for a successful UE-initiated service request procedure.

**Figure 7: UE-initiated Service Request Message Flow**



335264

Table 3: UE-initiated Service Request Message Flow Description

Step	Description
1	(NAS) The UE sends a Network Access Signaling (NAS) message Service Request (S-TMSI) towards the MME encapsulated in an RRC message to the eNodeB.
2	The eNodeB forwards NAS message to the MME. The NAS message is encapsulated in an S1-AP: Initial UE message (NAS message, TAI+ECGI of the serving cell).
3	NAS authentication procedures may be performed.
4	The MME sends an S1-AP Initial Context Setup Request (S-GW address, S1-TEID(s) (UL), EPS Bearer QoS(s), Security Context, MME Signaling Connection Id, Handover Restriction List) message to the eNodeB. This step activates the radio and S1 bearers for all the active EPS Bearers. The eNodeB stores the Security Context, MME Signaling Connection Id, EPS Bearer QoS(s) and S1-TEID(s) in the UE RAN context.
5	The eNodeB performs the radio bearer establishment procedure.
6	The uplink data from the UE can now be forwarded by eNodeB to the S-GW. The eNodeB sends the uplink data to the S-GW address and TEID provided in step 4.
7	The eNodeB sends an S1-AP message Initial Context Setup Complete message (eNodeB address, List of accepted EPS bearers, List of rejected EPS bearers, S1 TEID(s) (DL)) to the MME.
8	The MME sends a Modify Bearer Request message (eNodeB address, S1 TEID(s) (DL) for the accepted EPS bearers, RAT Type) to the S-GW. The S-GW is now able to transmit downlink data towards the UE.
9	The S-GW sends a Modify Bearer Response message to the MME.

## Network-initiated Service Request Procedure

The call flow in this section describes the process for re-connecting an idle UE when a downlink data packet is received from the PDN.

The following figure and the text that follows describe the message flow for a successful network-initiated service request procedure:



Figure 8: Network-initiated Service Request Message Flow

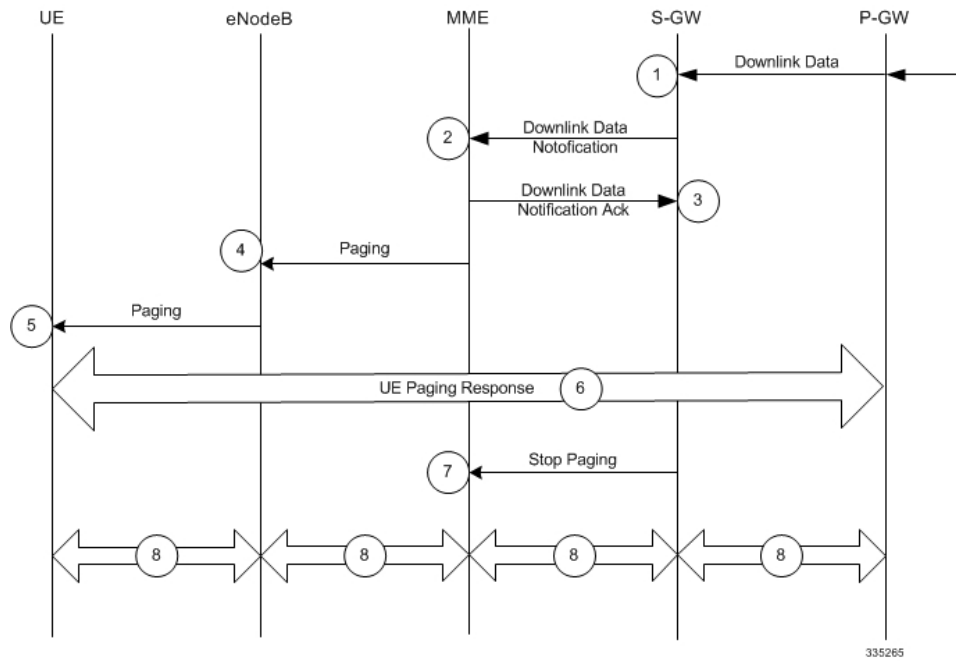


Table 4: Network-initiated Service Request Message Flow Description

Step	Description
1	A downlink data packet is received on the S-GW from PDN for the targeted UE. The S-GW checks to see if the UE is user-plane connected (the S-GW context data indicates that there is no downlink user plane (TEID)). The downlink data is buffered and the S-GW identifies which MME is serving the intended UE.
2	The S-GW sends a Downlink Data Notification message to the MME for the targeted UE.
3	The MME responds with a Downlink Data Notification Acknowledgment message to the S-GW.
4	The MME send a Paging Request to the eNodeB for the targeted UE. The Paging Request contains the NAS ID for paging, TAI(s), the UE identity based DRX index, and the Paging DRX length. The Paging Request is sent to each eNodeB belonging to the tracking area(s) where the UE is registered.
5	The eNodeB broadcasts the Paging Request in its coverage area for the UE. <b>Note</b> Steps 4 and 5 are skipped if the MME has a signaling connection over the S1-MME towards the UE.
6	Upon receipt of the Paging indication in the E-UTRAN access network, the UE initiates the UE-triggered Service Request procedure and the eNodeB starts messaging through the UE Paging Response.  The MME supervises the paging procedure with a timer. If the MME receives no Paging Response from the UE, it retransmits the Paging Request. If the MME receives no response from the UE after the retransmission, it uses the Downlink Data Notification Reject message to notify the S-GW about the paging failure.

Step	Description
7	The S-GW sends a Stop Paging message to MME.
8	The buffered downlink data is sent to the identified UE.

## Supported Standards

The MME complies with the following standards for 3GPP LTE/EPS wireless networks.

### 3GPP References

- 3GPP TS 23.007 V13.3.0: Technical Specification Group Core Network and Terminals Restoration procedures
- 3GPP TS 23.041 V10.6.0: Technical realization of Cell Broadcast Service (CBS)
- 3GPP TS 23.216 V12.2.0: 3rd Generation Partnership Project Technical Specification Group Services and System Aspects Single Radio Voice Call Continuity (SRVCC) Stage 2
- 3GPP TS 23.251 V12.1.0: Network Sharing; Architecture and Functional Description
- 3GPP TS 23.271, v10.4.0 (2013-03): Digital cellular telecommunications system (Phase 2+); Universal Mobile Telecommunications System (UMTS); LTE. Functional stage 2 description of Location Services (LCS)
- 3GPP TS 23.272 V12.5.0: 3rd Generation Partnership Project Technical Specification Group Services and System Aspects Circuit Switched (CS) fallback in Evolved Packet System (EPS) Stage 2
- 3GPP TS 23.401 V13.11.0: General Packet Radio Service (GPRS) enhancements for Evolved Universal Terrestrial Radio Access Network (E-UTRAN) access
- 3GPP TS 23.682 V13.9.0: Architecture enhancements to facilitate communications with packet data networks and applications
- 3GPP TS 23.842 V11.0.0: 3rd Generation Partnership Project Technical Specification Group Services and System Aspects Study on Network Provided Location Information to the IMS
- 3GPP TS 24.008 V13.0.0 (2016-06): Mobile radio interface Layer 3 specification; Core network protocols; Stage 3
- 3GPP TS 24.008 V13.6.0 (2016-06): Mobile radio interface Layer 3 specification; Core network protocols; Stage 3
- 3GPP TS 24.080, V12.8.0: Mobile radio interface layer 3 supplementary services specification Formats and coding
- 3GPP TS 24.301 V12.8.0: 3rd Generation Partnership Project Technical Specification Group Core Network and Terminals Non-Access-Stratum (NAS) protocol for Evolved Packet System (EPS) Stage 3
- 3GPP TS 24.301 V13.10.0: 3rd Generation Partnership Project Technical Specification Group Core Network and Terminals Non-Access-Stratum (NAS) protocol for Evolved Packet System (EPS) Stage 3

- 3GPP TS 29.118 V10.9.0: 3rd Generation Partnership Project Technical Specification Group Core Network and Terminals Mobility Management Entity (MME) - Visitor Location Register (VLR) SGs interface specification
- 3GPP TS 29.168 V12.8.0: Cell Broadcast Centre Interfaces with the Evolved Packet Core
- 3GPP TS 29.171 V12.1.0: 3rd Generation Partnership Project Technical Specification Group Core Network and Terminals Location Services (LCS) LCS Application Protocol (LCS-AP) between the Mobile Management Entity (MME) and Evolved Serving Mobile Location Centre (E-SMLC) SLs interface
- 3GPP TS 29.172 V12.5.0 : 3rd Generation Partnership Project Technical Specification Group Core Network and Terminals Location Services (LCS) Evolved Packet Core (EPC) LCS Protocol (ELP) between the Gateway Mobile Location Centre (GMLC) and the Mobile Management Entity (MME) SLg interface
- 3GPP TS 29.272 V12.7.0: 3rd Generation Partnership Project Technical Specification Group Core Network and Terminals 3GPP Evolved Packet System (EPS) Mobility Management Entity (MME) and Serving GPRS Support Node (SGSN) related interfaces based on Diameter protocol
- 3GPP TS 29.274 V12.8.0: 3rd Generation Partnership Project Technical Specification Group Core Network and Terminals 3GPP Evolved Packet System (EPS) Evolved General Packet Radio Service (GPRS) Tunnelling Protocol for Control plane (GTPv2-C) Stage 3
- 3GPP TS 29.277 V12.0.0: 3rd Generation Partnership Project Technical Specification Group Core Network and Terminals Optimised Handover Procedures and Protocol between EUTRAN access and non-3GPP accesses (S102) Stage 3
- 3GPP TS 29.280 V10.4.0 (2012-06): 3rd Generation Partnership Project Technical Specification Group Core Network and Terminals 3GPP Evolved Packet System (EPS) 3GPP Sv interface (MME to MSC, and SGSN to MSC) for SRVCC
- 3GPP TS 29.305 V12.4.0: 3rd Generation Partnership Project Technical Specification Group Core Network and Terminals InterWorking Function (IWF) between MAP based and Diameter based interfaces
- 3GPP TS 32.422 V12.4.0: 3rd Generation Partnership Project Technical Specification Group Services and System Aspects Telecommunication management Subscriber and equipment trace Trace control and configuration management
- 3GPP TS 32.423 V12.1.0: 3rd Generation Partnership Project Technical Specification Group Services and System Aspects Telecommunication management Subscriber and equipment trace: Trace data definition and management
- 3GPP TS 36.413 V13.6.0: 3rd Generation Partnership Project Technical Specification Group Radio Access Network Evolved Universal Terrestrial Radio Access Network (E-UTRAN) S1 Application Protocol (S1AP)

## IETF References

- RFC-768, User Datagram Protocol (UDP), August 1980
- RFC-791, Internet Protocol (IP), September 1982
- RFC-793, Transmission Control Protocol (TCP), September 1981
- RFC-894, A Standard for the Transmission of IP Datagrams over Ethernet Networks, April 1984

- RFC-1089, SNMP over Ethernet, February 1989
- RFC-1144, Compressing TCP/IP headers for low-speed serial links, February 1990
- RFC-1155, Structure & identification of management information for TCP/IP-based internets, May 1990
- RFC-1157, Simple Network Management Protocol (SNMP) Version 1, May 1990
- RFC-1212, Concise MIB Definitions, March 1991
- RFC-1213, Management Information Base for Network Management of TCP/IP-based Internets: MIB-II, March 1991
- RFC-1215, A Convention for Defining Traps for use with the SNMP, March 1991
- RFC-1224, Techniques for managing asynchronously generated alerts, May 1991
- RFC-1256, ICMP Router Discovery Messages, September 1991
- RFC-1305, Network Time Protocol (Version 3) Specification, Implementation and Analysis, March 1992
- RFC-1332, The PPP Internet Protocol Control Protocol (IPCP), May 1992
- RFC-1398, Definitions of Managed Objects for the Ethernet-Like Interface Types, January 1993
- RFC-1418, SNMP over OSI, March 1993
- RFC-1570, PPP LCP Extensions, January 1994
- RFC-1643, Definitions of Managed Objects for the Ethernet-like Interface Types, July 1994
- RFC-1701, Generic Routing Encapsulation (GRE), October 1994
- RFC-1850, OSPF Version 2 Management Information Base, November 1995
- RFC-1901, Introduction to Community-based SNMPv2, January 1996
- RFC-1902, Structure of Management Information for Version 2 of the Simple Network Management Protocol (SNMPv2), January 1996
- RFC-1903, Textual Conventions for Version 2 of the Simple Network Management Protocol (SNMPv2), January 1996
- RFC-1904, Conformance Statements for Version 2 of the Simple Network Management Protocol (SNMPv2), January 1996
- RFC-1905, Protocol Operations for Version 2 of the Simple Network Management Protocol (SNMPv2), January 1996
- RFC-1906, Transport Mappings for Version 2 of the Simple Network Management Protocol (SNMPv2), January 1996
- RFC-1907, Management Information Base for Version 2 of the Simple Network Management Protocol (SNMPv2), January 1996
- RFC-1908, Coexistence between Version 1 and Version 2 of the Internet-standard Network Management Framework, January 1996
- RFC-1918, Address Allocation for Private Internets, February 1996
- RFC-1919, Classical versus Transparent IP Proxies, March 1996

- RFC-2002, IP Mobility Support, May 1995
- RFC-2003, IP Encapsulation within IP, October 1996
- RFC-2004, Minimal Encapsulation within IP, October 1996
- RFC-2005, Applicability Statement for IP Mobility Support, October 1996
- RFC-2118, Microsoft Point-to-Point Compression (MPPC) Protocol, March 1997
- RFC 2131, Dynamic Host Configuration Protocol
- RFC-2136, Dynamic Updates in the Domain Name System (DNS UPDATE)
- RFC-2211, Specification of the Controlled-Load Network Element Service
- RFC-2246, The Transport Layer Security (TLS) Protocol Version 1.0, January 1999
- RFC-2328, OSPF Version 2, April 1998
- RFC-2344, Reverse Tunneling for Mobile IP, May 1998
- RFC-2394, IP Payload Compression Using DEFLATE, December 1998
- RFC 2401, Security Architecture for the Internet Protocol
- RFC 2402, IP Authentication Header (AH)
- RFC 2406, IP Encapsulating Security Payload (ESP)
- RFC 2409, The Internet Key Exchange (IKE)
- RFC-2460, Internet Protocol Version 6 (IPv6)
- RFC-2461, Neighbor Discovery for IPv6
- RFC-2462, IPv6 Stateless Address Autoconfiguration
- RFC-2486, The Network Access Identifier (NAI), January 1999
- RFC-2571, An Architecture for Describing SNMP Management Frameworks, April 1999
- RFC-2572, Message Processing and Dispatching for the Simple Network Management Protocol (SNMP), April 1999
- RFC-2573, SNMP Applications, April 1999
- RFC-2574, User-based Security Model (USM) for version 3 of the Simple Network Management Protocol (SNMPv3), April 1999
- RFC-2597, Assured Forwarding PHB Group, June 1999
- RFC-2598, Expedited Forwarding PHB, June 1999
- RFC-2618, RADIUS Authentication Client MIB, June 1999
- RFC-2620, RADIUS Accounting Client MIB, June 1999
- RFC-2661, Layer Two Tunneling Protocol "L2TP", August 1999
- RFC-2697, A Single Rate Three Color Marker, September 1999
- RFC-2698, A Two Rate Three Color Marker, September 1999

- RFC-2784, Generic Routing Encapsulation (GRE) - March 2000, IETF
- RFC-2794, Mobile IP Network Access Identifier Extension for IPv4, March 2000
- RFC-2809, Implementation of L2TP Compulsory Tunneling via RADIUS, April 2000
- RFC-2845, Secret Key Transaction Authentication for DNS (TSIG), May 2000
- RFC-2865, Remote Authentication Dial In User Service (RADIUS), June 2000
- RFC-2866, RADIUS Accounting, June 2000
- RFC-2867, RADIUS Accounting Modifications for Tunnel Protocol Support, June 2000
- RFC-2868, RADIUS Attributes for Tunnel Protocol Support, June 2000
- RFC-2869, RADIUS Extensions, June 2000
- RFC-3007, Secure Domain Name System (DNS) Dynamic Update, November 2000
- RFC-3012, Mobile IPv4 Challenge/Response Extensions, November 2000
- RFC-3056, Connection of IPv6 Domains via IPv4 Clouds, February 2001
- RFC-3101 OSPF-NSSA Option, January 2003
- RFC-3143, Known HTTP Proxy/Caching Problems, June 2001
- RFC-3193, Securing L2TP using IPSEC, November 2001
- RFC-3314, Recommendations for IPv6 in Third Generation Partnership Project (3GPP) Standards, September 2002
- RFC-3316, Internet Protocol Version 6 (IPv6) for Some Second and Third Generation Cellular Hosts, April 2003
- RFC-3706, A Traffic-Based Method of Detecting Dead Internet Key Exchange (IKE) Peers, February 2004
- RFC-3543, Registration Revocation in Mobile IPv4, August 2003
- RFC 3588, Diameter Base Protocol, September 2003
- RFC 4006, Diameter Credit-Control Application, August 2005
- Draft, Route Optimization in Mobile IP
- Draft, Generalized Key Distribution Extensions for Mobile IP
- Draft, AAA Keys for Mobile IP

## Object Management Group (OMG) Standards

- CORBA 2.6 Specification 01-09-35, Object Management Group



## CHAPTER 2

# Mobility Management Entity Configuration

This chapter provides configuration information for the Mobility Management Entity (MME).

Because each wireless network is unique, the system is designed with a variety of parameters allowing it to perform in various wireless network environments. In this chapter, only the minimum set of parameters are provided to make the system operational. Optional configuration commands specific to the MME product are located in the *Command Line Interface Reference*.



---

**Important** At least one packet processing card must be made active prior to service configuration. Information and instructions for configuring a packet processing card to be active can be found in the *System Settings* chapter of the *System Administration Guide*.

---



---

**Important** Before you plan or modify your MME's configuration, we recommend that you review *Appendix A: Engineering Rules* for the engineering rules and configuration limits hardcoded into the system.

---



---

**Caution** While configuring any base-service or enhanced feature, it is highly recommended to avoid conflicting or blocked IP addresses and port numbers when binding or assigning these to your configuration. In association with some service steering or access control features, the use of inappropriate port numbers may result in communication loss. Refer to the respective feature configuration document carefully before assigning any port number or IP address for communication with internal or external networks.

---



---

**Important** Information about all commands in this chapter can be found in the *Command Line Interface Reference*.

---

- [Configuring the System as a Standalone MME \(base configuration\)](#), on page 70
- [Configuring Optional Features on the MME](#), on page 80

# Configuring the System as a Standalone MME (base configuration)

This section provides a high-level series of steps and associated configuration file examples for configuring the system to perform as an MME in a test environment. This section also includes suggestions about the types of information that are needed to be able to configure the MME, as well as information about how the MME works based on some of the possible configurations.

The configurations in this section assume the following:

- A single context (other than the Local context) for all interfaces and services
- Static S-GW/P-GW selection (MME Policy configuration)

## Information Required

The following sections describe the minimum amount of information required to configure and make the MME operational on the network. To make the process more efficient, it is recommended that this information be available prior to configuring the system.

There are additional configuration parameters that are not described in this section. These parameters deal mostly with fine-tuning the operation of the S-GW in the network. Information on these parameters can be found in the appropriate sections of the *Command Line Interface Reference*.

## Required MME Context Configuration Information

The following table lists the information that is required to configure the MME context.

**Table 5: Required Information for MME Context Configuration**

Required Information	Description
MME context name	An identification string from 1 to 79 characters (alpha and/or numeric) by which the MME context is recognized by the system.
<b>S1-MME Interface Configuration (To/from eNodeB)</b>	
Interface name	An identification string between 1 and 79 characters (alpha and/or numeric) by which the interface is recognized by the system.  Multiple names are needed if multiple interfaces will be configured.
IP address and subnet	IPv4 or IPv6 address assigned to the S1-MME interface. This address will be used for binding the SCTP (local bind address(es)) to communicate with the eNodeBs using S1-AP.  Multiple addresses and subnets are needed if multiple interfaces will be configured.



Required Information	Description
Physical port number	<p>The physical port to which the interface will be bound. Ports are identified by the chassis slot number where the line card resides followed by the number of the physical connector on the card. For example, port 17/1 identifies connector number 1 on the card in slot 17.</p> <p>A single physical port can facilitate multiple interfaces.</p>
<b>S11 Interface Configuration (To/from S-GW)</b>	
Interface name	<p>An identification string between 1 and 79 characters (alpha and/or numeric) by which the interface is recognized by the system.</p> <p>Multiple names are needed if multiple interfaces will be configured.</p>
IP address and subnet	<p>IPv4 address assigned to the S11 interface.</p> <p>Multiple addresses and subnets are needed if multiple interfaces will be configured.</p>
Physical port number	<p>The physical port to which the interface will be bound. Ports are identified by the chassis slot number where the line card resides followed by the number of the physical connector on the card. For example, port 17/1 identifies connector number 1 on the card in slot 17.</p> <p>A single physical port can facilitate multiple interfaces.</p>
<b>S6a Interface Configuration (To/from HSS)</b>	
Interface name	<p>An identification string between 1 and 79 characters (alpha and/or numeric) by which the interface is recognized by the system.</p> <p>Multiple names are needed if multiple interfaces will be configured.</p>
IP address and subnet	<p>IPv4 or IPv6 addresses assigned to the S6a interface.</p> <p>Multiple addresses and subnets are needed if multiple interfaces will be configured.</p>
Physical port number	<p>The physical port to which the interface will be bound. Ports are identified by the chassis slot number where the line card resides followed by the number of the physical connector on the card. For example, port 17/1 identifies connector number 1 on the card in slot 17.</p> <p>A single physical port can facilitate multiple interfaces.</p>
<b>S6a Diameter Endpoint Configuration</b>	
End point name	<p>An identification string from 1 to 63 characters (alpha and/or numeric) by which the S6a Diameter endpoint configuration is recognized by the system.</p>
Origin realm name	<p>An identification string between 1 through 127 characters.</p> <p>The realm is the Diameter identity. The originator's realm is present in all Diameter messages and is typically the company or service name.</p>
Origin host name	<p>An identification string from 1 to 255 characters (alpha and/or numeric) by which the S6a origin host is recognized by the system.</p>

Required Information	Description
Origin host address	The IP address of the S6a interface.
Peer name	The S6a endpoint name described above.
Peer realm name	The S6a origin realm name described above.
Peer address and port number	The IP address and port number of the HSS.
Route-entry peer	The S6a endpoint name described above.
<b>S13 Interface Configuration (To/from EIR)</b>	
Interface name	<p>An identification string between 1 and 79 characters (alpha and/or numeric) by which the interface is recognized by the system.</p> <p>Multiple names are needed if multiple interfaces will be configured.</p>
IP address and subnet	<p>IPv4 or IPv6 addresses assigned to the S13 interface.</p> <p>Multiple addresses and subnets are needed if multiple interfaces will be configured.</p> <p><b>Important</b> S1-MME - Dual Interface Addressing not supported (either only V4 or only V6 supported, not both simultaneously).</p>
Physical port number	<p>The physical port to which the interface will be bound. Ports are identified by the chassis slot number where the line card resides followed by the number of the physical connector on the card. For example, port 17/1 identifies connector number 1 on the card in slot 17.</p> <p>A single physical port can facilitate multiple interfaces.</p>
<b>S13 Diameter Endpoint Configuration</b>	
End point name	An identification string from 1 to 63 characters (alpha and/or numeric) by which the S13 Diameter endpoint configuration is recognized by the system.
Origin realm name	<p>An identification string between 1 through 127 characters.</p> <p>The realm is the Diameter identity. The originator's realm is present in all Diameter messages and is typically the company or service name.</p>
Origin host name	An identification string from 1 to 255 characters (alpha and/or numeric) by which the S13 origin host is recognized by the system.
Origin host address	The IP address of the S13 interface.
Peer name	The S13 endpoint name described above.
Peer realm name	The S13 origin realm name described above.
Peer address and port number	The IP address and port number of the EIR.
Route-entry peer	The S13 endpoint name described above.
<b>MME Service Configuration</b>	

Required Information	Description
MME service name	An identification string from 1 to 63 characters (alpha and/or numeric) by which the MME service can be identified on the system. It is configured in the Context configuration mode.  Multiple names are needed if multiple MME services will be configured.
PLMN identifier	The identifier of Public Land Mobile Network (PLMN) of which MME belongs to. PLMN identifier is consisting of MCC and MNC.
MME identifier	The identifier of MME node. The MME Id is consisting of MME group and MME code.
TAI management database name	An identification string from 1 to 64 characters (alpha and/or numeric) by which the TAI management database service can be associated with the MME service.  This is required for static S-GW selection. Refer to the <i>Required MME Policy Configuration Information</i> section below.
P-GW IP address	IPv4 or IPv6 address of a PDN Gateway (P-GW). This is required for static S-GW/P-GW selection.
<b>eGTP Service Configuration</b>	
eGTP service name	An identification string from 1 to 63 characters (alpha and/or numeric) by which the eGTP service can be associated with MME system.  Multiple names are needed if multiple eGTP services will be used.
Interface type	Identifies the type of interface to which the eGTP service is bound. This interface type is "interface-mme".
GTP-C binding IP address	The IPv4 address of the S11 interface.
<b>HSS Peer Service Configuration</b>	
HSS peer service name	An identification string from 1 to 63 characters (alpha and/or numeric) by which the HSS peer service is recognized by the system.  Multiple names are needed if multiple HSS peer services will be used.
Diameter HSS peer	The name for a pre-configured Diameter endpoint, configured on system to associate with this MME service to access an HSS and an EIR. This is the S6a Diameter endpoint name.

## Required MME Policy Configuration Information

The following table lists the information that is required to configure the MME Policy on an MME.

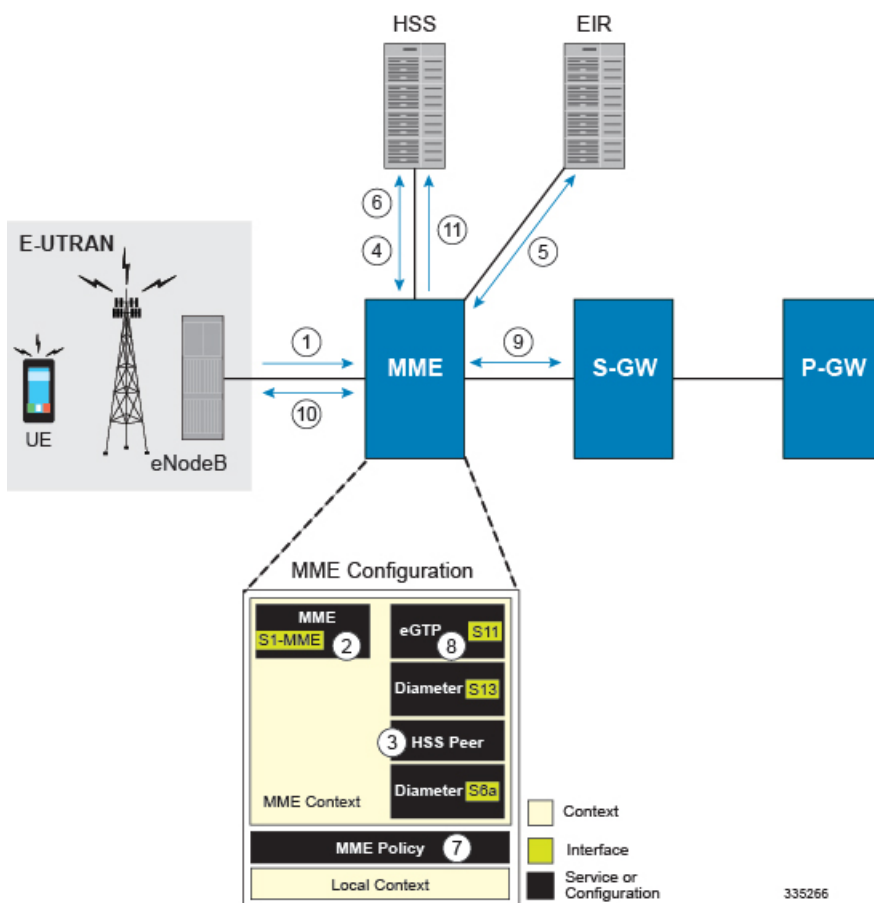
**Table 6: Required Information for MME Policy Configuration**

Required Information	Description
Tracking Area Identifier (TAI) management database name	An identification string from 1 to 64 characters (alpha and/or numeric) by which the TAI management database is recognized by the system.

Required Information	Description
Tracking Area Identifier (TAI) management object name	An identification string from 1 to 64 characters (alpha and/or numeric) by which the TAI management object is recognized by the system.
MCC, MNC, and TAC	The Mobile Country Code, Mobile Network Code, and Tracking Area Code for the S-GW this management object represents.
S-GW IP address	The IPv4 or IPv6 address of the S-GW this management object represents.

## How This Configuration Works

The following figure and supporting text describe how this configuration with a single context is used by the system to process a subscriber call originating from the GTP LTE network.

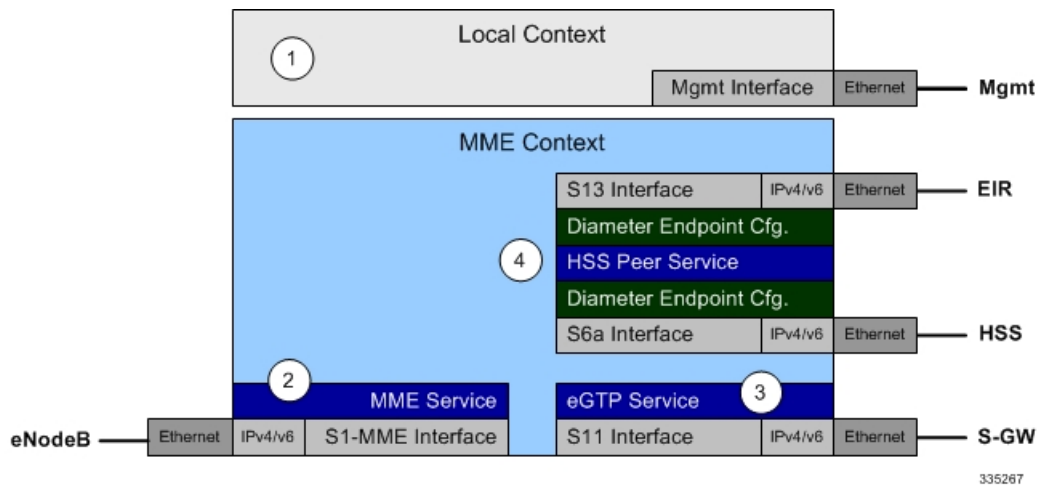


1. The eNodeB forwards an Attach Request message from the UE to the MME containing the IMSI, last visited TAI (if available), the UE's core network capability, the PDN Type, and the Attach Type.
2. The MME service receives the Attach Request message and references the HSS peer service for authentication and location resolution.

3. The HSS peer service configuration specifies the Diameter configuration and S6a interface to use to communicate with the HSS and the Diameter configuration and S13 interface to use to communicate with the Equipment Identity Register (EIR).
4. Assuming that the MME has no previous security context, it sends an S6a Authentication Request to the HSS and uses the authentication vectors received in the response to complete the authentication procedure with UE.
5. After authentication, the MME proceeds to do a security setup with the UE. During this procedure, the ME identity is transferred to the MME which then queries the EIR.
6. The MME then sends an Update Location Request to the HSS and obtains relevant subscription data for the IMSI in the response.
7. The MME policy is accessed to determine the S-GW and P-GW to which the UE should be attached.
8. The MME uses the S11 interface bound to the eGTP service to communicate with the S-GW specified by the MME policy configuration.
9. The MME then sends a Create Session Request to S-GW which is also forwarded to the specified P-GW (assuming GTP-S5/S8) P-GW establishes the S5/S8 GTPU bearers and then responds with a Create-Session-response which is forwarded to the MME by the S-GW. The S-GW includes the relevant S1-U bearer information.
10. The MME then sends a NAS Attach Accept embedded in the S1 Init Ctxt Setup request to the eNodeB. The Attach Accept contains the IP address allocated to the PDN and the temporary identifier (GUTI) assigned to the UE. The MME waits for positive acknowledgment from both the eNodeB (Init Ctxt Setup response) and UE (Attach Complete). The Init Ctxt Setup Response contains the S1-U bearer endpoint information. The MME then uses the S11 Modify Bearer Request to update the eNodeB endpoints with the S-GW. The receipt of the S11 Modify Bearer Response completes the end-to-end bearer setup.
11. The MME then uses the S6a Notify Request to update the HSS with the APN and P-GW identity.

## MME Configuration

To configure the system to perform as a standalone eGTP S-GW, review the following graphic and subsequent steps.



- 
- Step 1** Set system configuration parameters such as activating PSCs by applying the example configurations found in the *System Administration Guide*.
- Step 2** Create the MME context, service, and all interfaces, and bind the S1-MME interface to an IP address by applying the example configuration in the section.
- Step 3** Create the eGTP service and associate it with the S11 interface by applying the example configuration in the section.
- Step 4** Create the HSS peer service and associate it with the S6a interface and S13 interface by applying the example configuration in the section.
- Step 5** Save your configuration to flash memory, an external memory device, and/or a network location using the Exec mode command **save configuration**. For additional information on how to verify and save configuration files, refer to the *System Administration Guide* and the *Command Line Interface Reference*.
- 

## Creating and Configuring the MME Context and Service

Use the following example to configure the MME context and all supported interfaces:

```

configure
  context mme_context_name -noconfirm
    interface s1-mme_intf_name
      ip address ipv4_address
    exit
    interface s11_intf_name
      ip address ipv4_address
    exit
    interface s6a_intf_name
      ip address ipv4_address
    exit
    interface s13_intf_name
      ip address ipv4_address
    exit
  mme-service mme_svc_name -noconfirm
    mme-id group-id grp_id mme-code mme_code
    plmn-id mcc mcc_value mnc mnc_value
    
```

```

network-sharing plmnid mcc mcc_value mnc mnc_value mme-id group-id id
mme-code code
associate egtp-service egtp-service_name context mme_context_name
associate hss-peer-service hss_peer_service_name context mme_context_name

policy attach imei-query-type imei-sv verify-equipment-identity
pgw-address pgw_ip_address
bind s1-mme ipv4-address ip_address
exit
exit
port ethernet slot_number/port_number
no shutdown
bind interface s1-mme_intf_name mme_context_name
end

```

## Notes:

- All interfaces in this configuration can also be specified as IPv6 addresses using the **ipv6 address** command.
- Multi-homing is supported on the S1-MME and S6a interfaces. For more information on configuring multi-homing for the S1-MME and/or S6a interface(s), refer to [Configuring SCTP Multi-homing Support, on page 93](#).
- A maximum of 256 services (regardless of type) can be configured per system.
- The **bind s1-mme** command can also be specified as an IPv6 address using the **ipv6-address** keyword.
- The **network-sharing** command is used to configure an additional PLMN ID for this MME service.
- The eGTP service is configured in the following section.
- The HSS peer service is configured in the configuration sequence for [Creating and Configuring the HSS Peer Service and Interface Associations, on page 78](#).
- In the above example, the mobile equipment identity (IMEI) is checked during the attach procedure. This is configured in the **policy attach** command. Another option is to check IMEI during the tracking area update (TAU). This can be accomplished instead of, or, in addition to, the EIR query during the attach procedure. To check during the TAU, use the **policy tau** command.
- The **pgw-address** command is used to statically configure P-GW discovery.

## Creating and Configuring the eGTP Service and Interface Association

Use the following example to create an eGTP service and associate it with the S11 interface.



### Warning

Whenever MME associates gtpu-service with S11 egtp-service it causes stop and start of egtp-service, which causes stop and start of MME-service thus impacting services.



### Important

If you modify the **interface-type** command, the parent service (service within which the eGTP/GTP-U service is configured) will automatically restart. Service restart results in dropping of active calls associated with the parent service.

```

configure
context mme_context_name
egtp-service egtp_service_name

```

```

interface-type interface-mme
  gtpc bind ipv4-address s11_infc_ip_address
  exit
exit
port ethernet slot_number/port_number
  no shutdown
  bind interface s11_interface_name mme_context_name
end

```

Notes:

- The **gtpc bind** command can be specified as an IPv6 address using the **ipv6-address** keyword. The interface specified for S11 communication must also be the same IPv6 address.

## Creating and Configuring the HSS Peer Service and Interface Associations

Use the following example to create and configure the HSS peer service:

```

configure
context mme_context_name
  hss-peer-service hss_peer_service_name
    diameter hss-endpoint hss_endpoint_name eir-endpoint eir-endpoint_name
    exit
  exit
  diameter endpoint hss-endpoint_name
    origin realm realm_name
    origin host name address S6a_interface_address
    peer peer_name realm realm_name address hss_ip_address
    route-entry realm realm_name peer peer_name
    exit
  diameter endpoint eir-endpoint_name
    origin realm realm_name
    origin host name address S13_interface_address
    peer peer_name realm realm_name address eir_ip_address
    route-entry realm realm_name peer peer_name
    exit
  port ethernet slot_number/port_number
    no shutdown
    bind interface s6a_interface_name mme_context_name
    exit
  port ethernet slot_number/port_number
    no shutdown
    bind interface s13_interface_name mme_context_name
end

```

Notes:

- The **origin host** and **peer** commands can accept multiple IP addresses supporting multi-homing on each endpoint. For information on configuring SCTP multi-homing for the S6a interface, refer to [Configuring SCTP Multi-homing Support, on page 93](#).





**Caution** On a PSC2 setup, all diamproxy tasks might go in to a warning state if the number of hss-peer-services configured are more than 64 since the memory usage may exceed the allocated value.

## Configuring Dynamic Destination Realm Construction for Foreign Subscribers

For a foreign subscriber, the MME does not know the HSS nodes in all the foreign PLMNs. In this case the MME routes S6a/S6d requests directed to foreign PLMNs via a Diameter Routing Agent (DRA) using only the destination realm. The DRA in turn routes the request to the correct HSS based on the destination realm. In order to accomplish this, the MME needs to dynamically construct requests to the DRA/HSS with a Destination Realm representing the foreign PLMN of the UE.

The MME can be configured to derive the EPC Home Network Realm/Domain based on the user's IMSI (MNC and MCC values) and use it as the Destination Realm in all diameter messages.

For home subscribers, the MME will always use the configured peer realm as destination-realm, regardless if dynamic-destination-realm is enabled.

Because MNCs can be 2 or 3 digits long, to provide the ability for an operator to configure the MCC and MNC of foreign PLMNs, the operator policy of the subscriber map is used to determine the MNC value and the length of the MNC. The following steps outline how this configuration can be implemented.

First, enable the dynamic destination realm functionality for the HSS Peer Service:

```
configure
  context ctxt_name
    hss-peer-service HSS1
      dynamic-destination-realm
    end
```

Then configure the foreign PLMNs in the LTE subscriber map. For example:

```
configure
  lte-policy
    subscriber map SM1
      precedence 10 match-criteria imsi mcc 232 mnc 11
    operator-policy-name OP.HOME
      precedence 20 match-criteria imsi mcc 374 mnc 130 msin first
      700000000 last 800000000 operator-policy-name OP.ROAMING
    end
```

Then associate the subscriber map to the MME Service. For example:

```
configure
  context ingress
    mme-service mmesvc
      associate subscriber-map SM1
    end
```

A static route entry must also be added in the diameter endpoint configuration for each foreign realm. For example:

```
configure
  context ingress
    diameter endpoint s6a1
```

```
peer HSS1 realm HSS-Realm1 address ip-address sctp
route-entry realm epc.mnc045.mcc123.3gppnetwork.org peer HSS1
end
```

With this sample configuration, an MNC of length 2 and value of 11 is matched with first operator policy (OP.HOME), and an MNC length of 3 and value of 130 is matched with the second operator policy (OP.ROAMING). With this configuration, the MME will find the MNC based on the operator policy for the foreign subscriber.

If there is no matching entry present in the operator policy, the MME will use the global static table to decide the MNC length and pass that information to Diameter layer to construct the dynamic realm. The following list of MCCs are all considered as 3 digit MNCs. All other MCCs are considered 2 digit MNCs.

302	334	354	405
310	338	356	708
311	342	358	722
312	344	360	732
316	346	365	
	348	376	

The **show hss-peer-service service name** command displays this configuration in the **Destination Realm** field, either **Configured Peer Realm** (default), or **Dynamic Realm**.

```
Request Auth-vectors           : 1
Notify Request Message        : Enable
Destination Realm             : Dynamic Realm
```

## Configuring Optional Features on the MME

The configuration examples in this section are optional and provided to cover the most common uses of the MME in a live network. The intent of these examples is to provide a base configuration for testing.

### Configuring Differentiation Between HeNB-GW and eNodeBs

The MME can be configured to distinguish the Home eNodeB Gateway (HeNB-GW) from other eNodeBs. This is required to support S1 handovers to Home eNodeBs connected via a HeNB-GW.

As per 3GPP TS 36.300, section 4.6.2, the TAI used in a HeNB-GW should not be reused in another HeNB-GW. The global eNodeB id of the HeNB-GW can now be configured within the lte-policy configuration mode.

In case of S1-based handovers to Home eNodeBs served by a HeNB-GW, the lookup at MME for the target eNodeB based on global ENB id will fail, as MME is aware of only the HeNB-GW. In those cases additional lookup needs to be done based on TAI to find the HeNB-GW serving the Home eNodeB.

This feature allows operators to configure the global eNodeB ids of HeNB-GWs in the MME service. The MME uses this information to perform HeNB-GW related functions.

The following steps create an HeNB-GW management database, configures a single Global eNodeB ID and TAI within the management database, and associates the HeNB-GW management database with the MME service:

```

configure
  lte-policy
    mme hcnbgw mgmt-db db_name
    hcnbgw-global-enbid mcc mcc_value mnc mnc_value enbid enbid_value
  end
configure
  context ctxt_name
    mme-service svc_name
    associate hcnbgw-mgmt-db db_name
  end

```

Notes:

- A maximum of 8 HeNB-GWs can be configured within the HeNB-GW management database.
- The **show lte-policy hcnbgw-mgmt-db name db\_name** command displays configuration information about the specified HeNB-GW management database.
- The **show mme-service enodeb-association full** command displays whether the eNodeB is an HeNB-GW by including "(HeNB-GW)" in the output of the **eNodeB Type** field.

## Configuring Dual Address Bearers

This example configures support for IPv4/v6 PDNs.

Use the following configuration example to enable support on the MME for dual-address bearers:

```

configure
  context mme_context_name -noconfirm
  mme-service mme_svc_name
  policy network dual-addressing-support
end

```

## Configuring Dynamic Peer Selection

The configuration in this section replaces static configurations on the MME for the following peer components: MME, P-GW, S-GW, SGSN.

Use the following example to configure dynamic P-GW, S-GW, and peer MME selection through a DNS interface:

```

configure
  context mme_context_name -noconfirm
  interface dns_intf_name
    ip address ipv4_address
  exit
  ip domain-lookup
  ip name-servers dns_ip_address
  dns-client name
    bind address dns_intf_ip_address
  exit
  mme-service mme_svc_name
    dns pgw
    dns sgw
    dns peer-mme

```

```

dns peer-sgsn
end

```

Notes:

- For the **dns pgw**, **dns sgw**, **dns peer-mme**, and **dns peer-sgsn** commands, the DNS client service must exist in the same context as the MME service. If the DNS client resides in a different context, the **context** command and *ctx\_name* variable must be added to the command(s).
- If you have associated a tai-mgmt-db with a call-control-profile, and DNS is to be used for S-GW lookups, the DNS configuration must be configured within the same call-control-profile using the **dns-sgw** command present within the call-control-profile configuration mode.
- During the peer MME or SGSN selection procedure, the DNS resolution is initiated first. If the DNS resolution fails, it fallbacks to local Static configuration for selecting the peer MME or SGSN.

## Configuring Emergency Session Support

The configuration example in this section enables emergency bearer session support on the MME.

Use the following configuration example to enable emergency bearer services on the MME:

```

configure
  lte-policy
    lte-emergency-profile profile_name
      ambr max-ul bitrate max-dl bitrate
      apn apn_name pdn-type type
      pgw ip-address address protocol type weight value
      qos qci qci arp arp_value preemption-capability capability vulnerability
type
      ue-validation-level type
    exit
  mme-service mme_svc_name
    associate lte-emergency-profile profile_name
  end

```

Notes:

- A maximum of four LTE emergency profiles can be configured on the system.
- In the **apn** command, the valid PDN types are: **ipv4**, **ipv4v6**, and **ipv6**.
- In the **pgw** command, the valid protocol types are: **both**, **gtp**, and **pmip**. A maximum of four P-GW IP addresses can be configured per profile. An FQDN can also be configured in place of the IP addresses but only one P-GW FQDN can be configured per profile.
- In the **qos** command, the valid preemption capabilities are: **may** and **shall not**. The valid vulnerability types are: **not-preemptable** and **preemptable**.
- The **ue-validation-level** types are: **auth-only**, **full**, **imsi**, and **none**.
- To configure the MME to ignore the IMEI validation of the equipment during the attach procedure in emergency cases, use the following command in the **mme-service** configuration mode:

```

policy attach imei-query-type imei | imei-sv | none
verify-equipment-identity verify-emergency

```

- To configure the MME to ignore the IMEI validation of the equipment during TAU procedures in emergency cases, use the following command in the **mme-service** configuration mode:

```
policy tau imei-query-type imei | imei-sv | none
verify-equipment-identity verify-emergency
```

## Configuring ESM T3396 Timer

### ESM T3396 Timer in APN Profile

Use the following configuration in the APN Profile configuration mode to configure the ESM T3396 timer to be sent to UE in ESM reject messages.

The T3396 timer can be configured only for ESM reject cause 'insufficient resources' and 'missing or unknown apn', under the ESM configuration in APN profile. The T3396 timer configuration in APN-profile will have precedence over the T3396 timer configuration in Call Control Profile and MME-service.

#### configure

```
apn-profile profile_name
  esm t3396-timeout timeout_value cause cause_code_value
  [ remove ] esm t3396-timeout cause cause_code_value
end
```

### ESM T3396 Timer in Call Control Profile

Use the following configuration in the Call Control Profile configuration mode to configure the ESM T3396 timer to be sent to UE in ESM reject messages.

The T3396 timer can be configured only for ESM reject cause 'insufficient resources' and 'missing or unknown apn', under the ESM configuration in APN profile. The T3396 timer configuration in APN-profile will have precedence over the T3396 timer configuration in MME-service.

#### configure

```
call-control-profile profile_name
  esm t3396-timeout timeout_value cause cause_code_value
  [ remove ] esm t3396-timeout cause cause_code_value
end
```

#### Notes:

- **t3396-timeout** *timeout\_value*: Configures the value for ESM backoff timer (in seconds) to be sent to UE for ESM reject cause 'insufficient resources' and 'missing or unknown apn'. The *timeout\_value* is an integer from 0 to 11160.
- **cause** *cause\_code\_value*: Configures the cause code value as an integer that is either 26 or 27. If the configured value is present in the ESM reject messages, the T3396 back-off timer will be included.

The cause values supported are: 26 - Insufficient resources and 27 - Missing or Unknown AP

- Only one cause value can be configured with the **cause** keyword. Multiple cause values cannot be configured.
- To configure the T3396 timeout for different cause codes, the configuration must be done in multiple lines. For example:

```
esm t3396-timeout 1100 cause 26
esm t3396-timeout 1500 cause 27
```

- The new configuration for T3396 timeout for a given cause code will override the previous configuration. For example:

```
esm t3396-timeout 1500 cause 26
esm t3396-timeout 1800 cause 26
```

The final T3396 timeout that will be applied for cause code 26 is 1800 seconds.

- There is no specified default value for T3396 timeout for a given cause code.
- **remove**: Removes the T3396 timeout configuration for the specified cause code from Call Control profile. The T3396 timeout will then be applied from the MME-service.

## Configuring Gn/Gp Handover Capability

The example configuration in this section provides 3G to 4G handover capabilities between the MME and a Gn/Gp SGSN. The configuration creates the Gn interface used for control signaling during the handover.

Use the following configuration example to create a Gn interface and configure the control interface on the MME for Gn/Gp handovers:

```
configure
context mme_context_name -noconfirm
interface Gn_intf_name
ip address ipv4_address
exit
sgtp-service sgtp_svc_name
gtpc bind address Gn_intf_ip_address
exit
mme-service mme_svc_name
associate sgtp-service sgtp_svc_name
peer-sgsn rai mcc mcc_value mnc mnc_value rac value lac value address
ip_address capability gn
nri length length plmn-id mcc mcc_value mnc mnc_value
end
```

Notes:

- The **peer-sgsn** command is used to statically configure a peer SGSN. SGSN selection can also be performed dynamically through the DNS client. For more information about dynamic peer selection, refer to the [Configuring Dynamic Peer Selection, on page 81](#) in this chapter.
- If dynamic peer-SGSN selection is configured, an additional **gtpc** command must be added to the SGTP service: **gtpc dns-sgsn context cntxt\_name**
- In the absence of an NRI length configuration, the MME treats the NRI as invalid. The MME will use a plain RAI-based FQDN (and not an NRI-based FQDN) for DNS queries made to resolve the source SGSN.

## Configuring Inter-MME Handover Support

Use the following example to configure inter-MME handover support:



**Important** If you modify the **interface-type** command, the parent service (service within which the eGTP/GTP-U service is configured) will automatically restart. Service restart results in dropping of active calls associated with the parent service.

#### configure

```

context mme_context_name -noconfirm
  interface s10_intf_name
    ip address ipv4_address
  exit
  egtp-service egtp_service_name
    interface-type interface-mme
    gtpc bind ipv4-address s10_intf_ip_address
  exit
exit
mme-service mme_svc_name
  peer-mme gummei mcc number mnc number group-id id mme-code code address
  ipv4_address
  exit
exit
port ethernet slot_number/port_number
  no shutdown
  bind interface s10_interface_name mme_context_name
end

```

#### Notes:

- The S10 IP address can also be specified as an IPv6 address. To support this, the **ip address** command can be changed to the **ipv6 address** command.
- The **peer-mme** command can also be configured to acquire a peer MME through the use of a TAI match as shown in this command example:

```

peer-mme tai-match priority value mcc number mnc number tac any address
  ipv4_address

```

- The **peer-mme** command is used to statically configure a peer MME. MME selection can also be performed dynamically through the DNS client. For more information about dynamic peer selection, refer to the [Configuring Dynamic Peer Selection, on page 81](#) in this chapter.
- The peer MME IP address can also be specified as an IPv6 address.

## Configuring X.509 Certificate-based Peer Authentication

The configuration example in this section enables X.509 certificate-based peer authentication, which can be used as the authentication method for IP Security on the MME.



**Important** Use of the IP Security feature requires that a valid license key be installed. Contact your local Sales or Support representative for information on how to obtain a license.

The following configuration example enables X.509 certificate-based peer authentication on the MME.

In Global Configuration Mode, specify the name of the X.509 certificate and CA certificate, as follows:

```
configure
certificate name cert_name pem url cert_pem_url private-key pprivate-keyem
url private_key_url
ca-certificate name ca_cert_name pem url ca_cert_url
end
```

Notes:

- The **certificate name** and **ca-certificate list ca-cert-name** commands specify the X.509 certificate and CA certificate to be used.
- The PEM-formatted data for the certificate and CA certificate can be specified, or the information can be read from a file via a specified URL as shown in this example.

When creating the crypto template for IPSec in the Context Configuration Mode, bind the X.509 certificate and CA certificate to the crypto template and enable X.509 certificate-based peer authentication for the local and remote nodes, as follows:

```
configure
context mme_context_name
crypto template crypto_template_name ikev2-dynamic
certificate name cert_name
ca-certificate list ca-cert-name ca_cert_name
authentication local certificate
authentication remote certificate
end
```

Notes:

- A maximum of sixteen certificates and sixteen CA certificates are supported per system. One certificate is supported per service, and a maximum of four CA certificates can be bound to one crypto template.
- The **certificate name** and **ca-certificate list ca-cert-name** commands bind the certificate and CA certificate to the crypto template.
- The **authentication local certificate** and **authentication remote certificate** commands enable X.509 certificate-based peer authentication for the local and remote nodes.

## Configuring Dynamic Node-to-Node IP Security on the S1-MME Interface

The configuration example in this section creates an IKEv2/IPSec dynamic node-to-node tunnel endpoint on the S1-MME interface.




---

**Important** Use of the IP Security feature requires that a valid license key be installed. Contact your local Sales or Support representative for information on how to obtain a license.

---



## Creating and Configuring an IPSec Transform Set

The following example configures an IPSec transform set which is used to define the security association that determines the protocols used to protect the data on the interface:

```
configure
  context <mme_context_name>
    ipsec transform-set <ipsec_transform-set_name>
      encryption aes-cbc-128
      group none
      hmac sha1-96
      mode tunnel
    end
```

Notes:

- The encryption algorithm, **aes-cbc-128**, or Advanced Encryption Standard Cipher Block Chaining, is the default algorithm for IPSec transform sets configured on the system.
- The **group none** command specifies that no crypto strength is included and that Perfect Forward Secrecy is disabled. This is the default setting for IPSec transform sets configured on the system.
- The **hmac** command configures the Encapsulating Security Payload (ESP) integrity algorithm. The **sha1-96** keyword uses a 160-bit secret key to produce a 160-bit authenticator value. This is the default setting for IPSec transform sets configured on the system.
- The **mode tunnel** command specifies that the entire packet is to be encapsulated by the IPSec header including the IP header. This is the default setting for IPSec transform sets configured on the system.

## Creating and Configuring an IKEv2 Transform Set

The following example configures an IKEv2 transform set:

```
configure
  context <mme_context_name>
    ikev2-ikesa transform-set <ikev2_transform-set_name>
      encryption aes-cbc-128
      group 2
      hmac sha1-96
      lifetime <sec>
      prf sha1
    end
```

Notes:

- The encryption algorithm, **aes-cbc-128**, or Advanced Encryption Standard Cipher Block Chaining, is the default algorithm for IKEv2 transform sets configured on the system.
- The **group 2** command specifies the Diffie-Hellman algorithm as Group 2, indicating medium security. The Diffie-Hellman algorithm controls the strength of the crypto exponentials. This is the default setting for IKEv2 transform sets configured on the system.
- The **hmac** command configures the Encapsulating Security Payload (ESP) integrity algorithm. The **sha1-96** keyword uses a 160-bit secret key to produce a 160-bit authenticator value. This is the default setting for IKEv2 transform sets configured on the system.
- The **lifetime** command configures the time the security key is allowed to exist, in seconds.

- The **prf** command configures the IKE Pseudo-random Function, which produces a string of bits that cannot be distinguished from a random bit string without knowledge of the secret key. The **sha1** keyword uses a 160-bit secret key to produce a 160-bit authenticator value. This is the default setting for IKEv2 transform sets configured on the system.

## Creating and Configuring a Crypto Template

The following example configures an IKEv2 crypto template:

```
configure
  context <mme_context_name>
    crypto template <crypto_template_name> ikev2-dynamic
      authentication local pre-shared-key key <text>
      authentication remote pre-shared-key key <text>
      ikev2-ikesa transform-set list <name1> . . . <name6>
      ikev2-ikesa rekey
      payload <name> match childsa match ipv4
      ipsec transform-set list <name1> . . . <name4>
      rekey
    end
```

Notes:

- The **ikev2-ikesa transform-set list** command specifies up to six IKEv2 transform sets.
- The **ipsec transform-set list** command specifies up to four IPSec transform sets.

## Binding the S1-MME IP Address to the Crypto Template

The following example configures the binding of the S1-MME interface to the crypto template:

```
configure
  context <mme_context_name>
    mme-service <mme_svc_name>
      bind s1-mme ipv4-address <address> ipv4-address <address>
    crypto-template <enodeb_crypto_template>
  end
```

Notes:

- The **bind** command in the MME service configuration can also be specified as an IPv6 address using the **ipv6-address** command.
- This example shows the **bind** command using multi-homed addresses. The multi-homing feature also supports the use of IPv6 addresses.

## Configuring ACL-based Node-to-Node IP Security on the S1-MME Interface

The configuration example in this section creates an IKEv2/IPSec ACL-based node-to-node tunnel endpoint on the S1-MME interface.



**Important** Use of the IP Security feature requires that a valid license key be installed. Contact your local Sales or Support representative for information on how to obtain a license.

## Creating and Configuring a Crypto Access Control List

The following example configures a crypto ACL (Access Control List), which defines the matching criteria used for routing subscriber data packets over an IPsec tunnel:

```
configure
  context <mme_context_name>
    ip access-list <acl_name>
      permit tcp host <source_host_address> host <dest_host_address>
    end
```

Notes:

- The **permit** command in this example routes IPv4 traffic from the server with the specified source host IPv4 address to the server with the specified destination host IPv4 address.

## Creating and Configuring an IPsec Transform Set

The following example configures an IPsec transform set which is used to define the security association that determines the protocols used to protect the data on the interface:

```
configure
  context <mme_context_name>
    ipsec transform-set <ipsec_transform-set_name>
      encryption aes-cbc-128
      group none
      hmac sha1-96
      mode tunnel
    end
```

Notes:

- The encryption algorithm, **aes-cbc-128**, or Advanced Encryption Standard Cipher Block Chaining, is the default algorithm for IPsec transform sets configured on the system.
- The **group none** command specifies that no crypto strength is included and that Perfect Forward Secrecy is disabled. This is the default setting for IPsec transform sets configured on the system.
- The **hmac** command configures the Encapsulating Security Payload (ESP) integrity algorithm. The **sha1-96** keyword uses a 160-bit secret key to produce a 160-bit authenticator value. This is the default setting for IPsec transform sets configured on the system.
- The **mode tunnel** command specifies that the entire packet is to be encapsulated by the IPsec header including the IP header. This is the default setting for IPsec transform sets configured on the system.

## Creating and Configuring an IKEv2 Transform Set

The following example configures an IKEv2 transform set:

```

configure
  context <mme_context_name>
    ikev2-ikesa transform-set <ikev2_transform-set_name>
      encryption aes-cbc-128
      group 2
      hmac sha1-96
      lifetime <sec>
      prf sha1
    end

```

Notes:

- The encryption algorithm, **aes-cbc-128**, or Advanced Encryption Standard Cipher Block Chaining, is the default algorithm for IKEv2 transform sets configured on the system.
- The **group 2** command specifies the Diffie-Hellman algorithm as Group 2, indicating medium security. The Diffie-Hellman algorithm controls the strength of the crypto exponentials. This is the default setting for IKEv2 transform sets configured on the system.
- The **hmac** command configures the Encapsulating Security Payload (ESP) integrity algorithm. The **sha1-96** keyword uses a 160-bit secret key to produce a 160-bit authenticator value. This is the default setting for IKEv2 transform sets configured on the system.
- The **lifetime** command configures the time the security key is allowed to exist, in seconds.
- The **prf** command configures the IKE Pseudo-random Function which produces a string of bits that cannot be distinguished from a random bit string without knowledge of the secret key. The **sha1** keyword uses a 160-bit secret key to produce a 160-bit authenticator value. This is the default setting for IKEv2 transform sets configured on the system.

## Creating and Configuring a Crypto Map

The following example configures an IKEv2 crypto map:

```

configure
  context <mme_context_name>
    crypto map <crypto_map_name> ikev2-ipv4
      match address <acl_name>
      peer <ipv4_address>
      authentication local pre-shared-key key <text>
      authentication remote pre-shared-key key <text>
      ikev2-ikesa transform-set list <name1> . . . <name6>
      payload <name> match ipv4
      lifetime <seconds>
      ipsec transform-set list <name1> . . . <name4>
    exit
  exit
  interface <sl-mme_intf_name>
    ip address <ipv4_address>
    crypto-map <crypto_map_name>
  exit
  port ethernet <slot_number/port_number>
  no shutdown

```

```
bind interface <sl-mme_intf_name> <mme_context_name>
end
```

Notes:

- The type of crypto map used in this example is IKEv2-IPv4 for IPv4 addressing. An IKEv2-IPv6 crypto map can also be used for IPv6 addressing.
- The **ipsec transform-set list** command specifies up to four IPsec transform sets.

## Configuring Mobility Restriction Support

Mobility or handover restriction is performed by handover restriction lists configured on the MME. These lists restrict inter-RAT, 3G location area, and/or 4G tracking area handovers based on the configuration in the Handover Restriction List Configuration Mode.




---

**Important** Mobility restriction support is only available through the operator policy configuration. For more information on operator policy, refer to the *Operator Policy* chapter in this guide.

---

## Configuring Inter-RAT Handover Restrictions on the MME

Inter-RAT handover restriction configurations on the MME restrict subscribers from participating in handovers to defined radio access network types.

Use the following example to configure this feature:

```
configure
  lte-policy
    ho-restrict-list <name>
      forbidden inter-rat cdma2000
    end
```

Notes:

- Other forbidden inter-RAT choices are: all, GERAN, and UNTRAN.
- This configuration will only become operational when it is associated with a call control profile. Only one handover restriction list can be associated with a call control profile.

## Configuring Location Area Handover Restrictions on the MME

Location area handover restriction lists on the MME restrict subscribers from participating in handovers to specific 3G location area codes.

Use the following example to configure this feature:

```
configure
  lte-policy
    ho-restrict-list name
      forbidden location-area plmnid id
        lac area_code area_code area_code +
      end
```

Notes:

- Up to 16 forbidden location areas can be configured per handover restriction list.
- Up to 128 location area codes can be entered in a single **lac** command line.
- This configuration will only become operational when it is associated with a call control profile. Only one handover restriction list can be associated with a call control profile.

## Configuring Tracking Area Handover Restrictions on the MME

Tracking area handover restriction lists on the MME restrict subscribers from participating in handovers to specific 4G tracking area codes.

Use the following example to configure this feature:

```
configure
  lte-policy
    ho-restrict-list name
      forbidden tracking-area plmnid id
        tac area_code [ area_code + ]
      end
```

Notes:

- Up to 16 forbidden tracking areas can be configured per handover restriction list.
- Up to 128 tracking area codes can be entered in a single **tac** command line.
- This configuration will only become operational when it is associated with a call control profile. Only one handover restriction list can be associated with a call control profile.

## Configuring S4-SGSN Handover Capability

This configuration example configures an S3 interface supporting inter-RAT handovers between the MME and an S4-SGSN.

Use the following example to configure this feature:

```
configure
  context mme_context_name -noconfirm
    interface s3_interface_name
      ip address ipv4_address
    exit
    mme-service mme_svc_name
      peer-sgsn rai mcc mcc_value mnc mnc_value rac value lac value address
ip_address capability s3
      nri length length plmn-id mcc mcc_value mnc mnc_value
    exit
  exit
  port ethernet slot_number/port_number
    no shutdown
    bind interface s3_interface_name mme_context_name
  end
```

Notes:

- The S3 IP address can also be specified as an IPv6 address. To support this, the **ip address** command can be changed to the **ipv6 address** command.
- The **peer-sgsn** command is used to statically configure a peer SGSN. SGSN selection can also be performed dynamically through the DNS client. For more information about dynamic peer selection, refer to the [Configuring Dynamic Peer Selection, on page 81](#) section in this chapter.
- In the absence of an NRI length configuration, the MME treats the NRI as invalid. The MME will use a plain RAI-based FQDN (and not an NRI-based FQDN) for DNS queries made to resolve the source SGSN.

## Configuring SCTP Multi-homing Support

SCTP multi-homing can be configured on the S1-MME interface (to/from eNodeB), the S6a interface (to/from HLR/HSS), and the SGs interface (to/from the MSC/VLR).

### Configuring SCTP Multi-homing on the S1-MME Interface

Up to two IPv4 or IPv6 addresses for the S1-MME interface can be entered to allow for SCTP multi-homing.

The configuration example in this section is intended as a replacement for the S1-MME interface configuration located in the section for [Creating and Configuring the MME Context and Service, on page 76](#). Use the following example to configure S1-MME multi-homing between the MME and the eNodeB:

**configure**

```

context mme_context_name -noconfirm
  interface s1-mme_intf_name
    ip address ipv4_address
    ip address secondary_ipv4_address
  exit
  mme-service mme_svc_name
    bind s1-mme ipv4-address ipv4_address ipv4-address secondary_ipv4_address

    exit
  exit
port ethernet slot_number/port_number
  no shutdown
  bind interface s1-mme_intf_name mme_context_name
end

```

Notes:

- The S1-MME IP addresses can also be specified as IPv6 addresses using the **ipv6 address** keyword.
- The IP addresses in the **bind s1-mme ipv4-address** command can also be specified as IPv6 addresses using the **ipv6-address** keyword.

### Configuring SCTP Multi-homing on the S6a Interface

Up to four IPv4 or IPv6 addresses for the S6a interface can be configured to allow for SCTP multi-homing.

The configuration example in this section is intended as a replacement for the S6a interface configuration located in [Creating and Configuring the MME Context and Service, on page 76](#) section and the Diameter configuration for the S6a interface located in [Creating and Configuring the HSS Peer Service and Interface](#)

[Associations, on page 78](#) . Use the following example to configure S6a multi-homing between the MME and the HLR/HSS:

```
configure
  context mme_context_name
    interface s6a_intf_name
      ip address s6a_intf_primary_ip_addr ip_mask
      ip address s6a_intf_secondary_ip_addr2 ip_mask secondary
      ip address s6a_intf_secondary_ip_addr3 ip_mask secondary
    exit
  exit
  diameter endpoint hss-endpoint_name
    origin realm realm_name
    origin host name address s6a_intf_primary_ip_addr port number address
s6a_intf_secondary_ip_addr2 port number address s6a_intf_secondary_ip_addr3 port number

    peer peer_name realm realm_name address hss_ip_addr1 port number address
hss_ip_addr2 port number sctp
    route-entry realm realm_name peer peer_name
  exit
  port ethernet slot_number/port_number
  no shutdown
  bind interface s6a_intf_name mme_context_name
  exit
```

Notes:

- The S6a IP addresses can also be specified as IPv6 addresses using the **ipv6 address** keyword.

## Configuring S6a SCTP and Application Timers for Multi-homing

In the event of a path failure, the SCTP multi-homing feature requires time to activate the alternate path. Timers associated with the SCTP heartbeat and the application in this instance, a Diameter watchdog request, must be tuned properly to ensure that the application does not timeout before the redundant SCTP path can be activated. The required calculation is based on the two paths configured between the MME and the HSS, the maximum retransmission configuration for the SCTP paths, and the SCTP heartbeat timeout configuration. The configuration of the timers must be identical on both peers.

The recommended SCTP timer values are provided below in the first row for the Diameter application default values that follow the typical case of two paths between the MME and HSS SCTP peers. SCTP HB interval can be in the range of 1 to 10 seconds, since (10 sec x 1 retx x 2 paths = 20 seconds) (30 sec watchdog timeout x 1 retry).

The second row displays the recommended configuration using the same Diameter defaults but providing a SCTP heartbeat timer that reduces heartbeat traffic.

**Table 7: SCTP/Application Timer Configuration Values**

SCTP Heartbeat Timeout	SCTP Path Max Retransmissions	Diameter Device Watchdog Timeout	Diameter Watchdog Request Max Retries
1-10 range	1	30 (default)	1 (default)
5	1	30 (default)	1 (default)



The following example configures the SCTP and application timers for the S6a SCTP interface supporting multi-homing:

```
configure
  sctp-param-template name
    sctp-max-path-retx value
    timeout sctp-heart-beat value
  exit
  context name
    diameter endpoint endpoint_name
      associate sctp-parameter-template template_name
      device-watchdog-request max-retries retry_count
      watchdog-timeout timeout
    end
```

Notes:

- When no SCTP parameter template is associated with the Diameter endpoint, the following default values are used:

**sctp-max-path-retx** 10 (default in the parameter template is 5)

**timeout sctp-heart-beat** 30 (default for the parameter template as well)

## Configuring SCTP Multi-homing on the SGs Interface

Up to two IPv4 or IPv6 addresses for the SGs interface can be entered to allow for SCTP multi-homing.

Use the following example to configure SGs multi-homing between the MME and the MSC/VLR:

```
configure
  context mme_context_name -noconfirm
    interface s1-mme_intf_name
      ip address ipv4_address
      ip address secondary_ipv4_address
    exit
    sgs-service mme_svc_name
      bind ipv4/v6-address ipv4/v6_address ipv4-address secondary_ipv4_address
    exit
  exit
  port ethernet slot_number/port_number
    no shutdown
    bind interface sgs_intf_name mme_context_name
  end
```

Notes:

- The SGs IP addresses can also be specified as IPv6 addresses using the **ipv6 address** keyword.
- The IP addresses in the **bind ipv4-address** command can also be specified as IPv6 addresses using the **ipv6-address** keyword or both.

## SCTP Parameters for MME

The details on the configurable values for SCTP parameters are provided in the table given below:

Parameter	Minimum value	Maximum value	Granularity
RTO.min	10ms	5s	10ms
RTO.max	500ms	120s	10ms
RTO.initial	RTO.min	RTO.max	10ms
RTO.alpha	1/8	1/8	-
RTO.beta	1/4	1/4	-
Valid.Cookie.Life	5s	120s	1s
HB.interval	1s	300s	1s
SACK period	0ms	500ms	10ms
SACK frequency	1	5	1
MTU size	508 bytes	65535 bytes	1 byte

The details on the default values for SCTP parameters are provided in the table given below:

Parameter	Default value
RTO Alpha	5
RTO Beta	10
Valid Cookie Life	600
Max. associate retransmission value	10
Max. number of outgoing streams	16
Max. number of incoming streams	16
Max. retransmission initiations	5
Max. MTU size	1500
Min. MTU size	508
Start MTU	1500
Max. path retransmission	5
RTO Initial	30
RTO Max	600
RTO Min	10
HB interval	30
HB enable	True

Parameter	Default value
SACK period	2
SACK frequency	2
Bundle valid	True
Bundle enable	False

## Configuring Static S-GW Pools

The MME supports static TAI list configuration which allows for the mapping of TAIs, TACs, and S-GWs to facilitate S-GW pooling for UEs moving between TAIs in their TAI lists.

### Creating and Configuring a TAI Management Database and Object

This section provides configuration examples for creating and configuring the TAI/S-GW associations for S-GW pooling.

Use the following example to configure this feature on the MME:

```

configure
  lte-policy
    tai-mgmt-db db_name
    tai-mgmt-obj object_name
    tai mcc number mnc number tac value
    sgw-address ipv4_address s5-s8-protocol gtp weight number
  end
    
```

Notes:

- In releases prior to 21.2: Up to 4 TAI databases can be configured on the system.  
In 21.2 and later releases: Up to 32 TAI databases can be configured on the system.
- In releases prior to 21.2: Up to 500 TAI management objects can be configured per database.  
In 21.2 and later releases: Up to 4000 TAI management objects can be configured per database. The total number of TAI-Objects across all 32 TAI-DBs is limited to 16000.
- Up to 16 TAIs can be configured per management object.
- Up to 16 TACs can be configured per TAI.
- The **sgw-address** variable can also be specified as an IPv6 address.
- Up to 32 S-GW IP addresses can be configured per management object.
- Weights for IPv4 addresses are ignored if IPv6 addresses are present meaning only IPv6 addresses are load-balanced if present.
- The s5-s8-protocol can also be specified as **pmip** or **both** (GTP and PMIP).

## Associating a TAI Management Database with an MME Service

In order for an MME service to use a statically configured S-GW pool, it must be associated with the TAI Management Database.

Use the following example to configure the TAI Management Database-to-MME service association:

```
configure
  context mme_context_name
    mme-service mme_svc_name
      associate tai-mgmt-db database_name
    end
```

Notes:

- Only one TAI Management Database can be configured per MME service.
- This association can also be performed in the Call Control Profile Configuration Mode supporting Operator Policy. If both associations are configured, the Operator Policy association is preferred by the system.

## Associating a TAI Management Database with a Call Control Profile

MME service can access a statically configured S-GW pool through an Operator Policy instance, specifically through the Call Control Profile.

Use the following example to configure the TAI Management Database-to-MME service association:

```
configure
  call-control-profile name
    associate tai-mgmt-db database_name
  end
```

Notes:

- Only one TAI Management Database can be configured per Call Control Profile.
- This association can also be performed in the MME Service Configuration Mode. If both associations are configured, the Operator Policy association is preferred by the system.
- If the tai-mgmt-db is associated with a call-control-profile, and DNS is to be used for S-GW lookups, the DNS configuration must be configured within the same call-control-profile using the **dns-sgw** command within the call-control-profile configuration mode.

## Configuring UMTS to LTE ID Mapping

UMTS networks are configured with LACs allocated from the reserved space of 32K to 64K. In LTE networks, this space is typically reserved for MME group IDs. To overcome this issue during inter-RAT handovers, the MME can be configured with mappings between LACs and MME group IDs.

Use the following configuration example to map PLMN IDs to MME group IDs:

```
configure
  lte-policy
    network-global-mme-id-mgmt-db
      plmn mcc mcc_value mnc mnc_value mme-group-id-range first id last id
    exit
  exit
```

```
context mme_service_context
  mme-service service_name
    associate network-global-mme-id-mgmt-db
  end
```

Notes:

- Up to 32 mappings can be configured on the system.
- Overlapping ranges can be identified in the output of the **show configuration errors** command.

## Configuring User Location Information Reporting Support

This feature allows the MME to query and receive UE location reports from an eNodeB.



---

**Note** User Location Information Reporting is a licensed feature and requires the purchase of the ULI Reporting feature license to enable it.

---

Use the following example to configure User Location Information (ULI) reporting support on the MME:

```
configure
context mme_context_name
  mme-service mme_svc_name
    location-reporting
  end
```





## CHAPTER 3

# 128K eNodeB Connections

The MME supports 128K eNodeB connections for VPC-DI and ASR5500-DPC2 platforms, previously only 64k eNodeB connections were supported.

- [Feature Description, on page 101](#)
- [Configuring Rate Limit for S1 SCTP Connections from eNodeB, on page 102](#)
- [Monitoring and Troubleshooting, on page 102](#)

## Feature Description

### 128K eNodeB Connection Support

The MME now supports 128K eNodeB connections for VPC-DI and ASR5500-DPC2 platforms; it has been enhanced from 64K eNodeB connections. A MME manager instance supports 4K eNodeBs, a minimum of 32 MME managers are required to support 128K eNodeB's. If the network has more than 32 MME managers, 128k eNodeB connections limit is not enforced. The support for 128K eNodeB connections is per chassis and not per MME service.

The maximum number of MME managers that can be configured per chassis for the VPC-DI platform has been enhanced from "24" to "48".

### Distribution of Multiple SCTP Association - VLR

The SCTP associations of a VLR are now distributed across MME managers. Distribution of VLR SCTP associations across MME managers helps in achieving better load distribution at the MME managers.

There is no change for load balancing of SGs messages sent by MME across multiple SCTP associations of a VLR.

### S1-SCTP Rate Limiting

The operator can now configure a rate limit for incoming S1 SCTP connections from the eNodeB. This prevents an overload at the MME in case there is a surge of S1 SCTP connections from the eNodeBs. New command keywords **s1-sctp rate limit** are introduced in the **task facility mmedemux** command, they can be used to specify the rate limit value of connections per second for the chassis. New MME Demux subsystem statistics are introduced to display the number of packets that are dropped due to the configured rate limit.

# Configuring Rate Limit for S1 SCTP Connections from eNodeB

The **task facility mmedemux** command is updated to include option to configure a rate limit for incoming S1 SCTP connections in MME per chassis.

```
configure
  task facility mmedemux { mmemgr-startup-percentage percent_value [
mmemgr-startup-wait-time wait_time ] | s1-sctp rate-limit value }
  default task facility mmedemux mmemgr-startup-percentage
mmemgr-startup-wait-time
  no task facility mmedemux { mmemgr-startup-percentage
mmemgr-startup-wait-time | s1-sctp rate-limit}
  exit
```

- By default rate limiting is not imposed on incoming SCTP connections at the MME. Configuring the rate limit is an optional configuration, to prevent overload of MME from surge/burst of S1 SCTP connections from eNodeBs.
- The keyword **s1-sctp** identifies the MME SCTP interface type.
- The keyword **rate-limit** is used to configure the rate limit for incoming S1 SCTP connections from eNodeB. The value of the rate limit that can be configured is an integer from 1 up to 65535. Once the rate of incoming S1 SCTP connections exceed the configured value, the SCTP cookie echo packets are dropped by the MME on exceeding the rate limit. The SCTP connection with eNodeB is eventually be established after retries/retransmission by the eNodeB. The statistics of the dropped S1 SCTP packets are collected and displayed as part of MME Demux subsystem statistics.

## Example:

The following CLI command configures rate-limit of 100 S1 SCTP connections per second for a chassis:

```
task facility mmedemux s1-sctp rate-limit 100
```

## Verifying the Configuration

The configuration of this feature can be verified using the following show commands. Execute the **show configuration** command to verify the configuration, the output displays the following parameters based on the configuration:

- **task facility mmedemux s1-sctp rate-limit value**

# Monitoring and Troubleshooting

This section provides information on the show commands available to support this feature.

## Show Command(s) and/or Outputs

The following parameter is added to the output generated by the **show session subsystem facility mmedemux all** command to display statistics for this feature.

- **Total number of S1 sctp packets dropped (rate-limit)** - This counter displays the number of SCTP packets dropped due to the configured rate limit for incoming S1 SCTP connections to the MME on a per chassis basis.





## CHAPTER 4

# 5G Capable SPGW Selection by MME

- [Feature Summary and Revision History, on page 103](#)
- [Feature Description, on page 104](#)
- [Configuring 5G Capable SPGW Selection by MME, on page 104](#)
- [Monitoring and Troubleshooting, on page 106](#)

## Feature Summary and Revision History

### Summary Data

Applicable Product(s) or Functional Area	MME
Applicable Platform(s)	<ul style="list-style-type: none"> <li>• ASR 5500</li> <li>• VPC-DI</li> <li>• VPC-SI</li> </ul>
Default Setting	Enabled - Configuration Required
Related Changes in This Release	Not Applicable
Related Documentation	<ul style="list-style-type: none"> <li>• <i>Command Line Interface Reference</i></li> <li>• <i>MME Administration Guide</i></li> <li>• <i>Statistics and Counters Reference</i></li> </ul>

### Revision History

Revision Details	Release
First introduced.	21.12.2

## Feature Description

MME is enabled to select 5G capable and co-located SPGW during initial attach, and additional PDN and SGW relocation scenarios. When multiple entries are configured, selection of a candidate is based on weight.

## Configuring 5G Capable SPGW Selection by MME

This section provides information on the CLI commands to configure 5G capable SPGW selection by MME.

### collocated-node, ue-usage-type in apn-profile mode

Use the following configuration to configure co-located-node/ue-usage-type for SPGW selection at MME.

```
configure
  apn-profile apn_profile_name
    pgw-address ip_address [ co-located-node collocated_node_name [
primary | secondary | weight value ] | [ ue-usage-type ue_usage_type_value
[ collocated-node | primary | secondary | weight value ] ]
    no pgw-address [ collocated-node collocated_node_name ] [
ue-usage-type ue_usage_type_value collocated-node collocated_node_name ]
  end
```

#### NOTES:

- **no:** Disables the following options.
- **collocated-node** *collocated\_node\_name*: Configures the collocation name to select the co-located SPGW node IP addresses for MME. *collocated\_node\_name* must be string of size 1 to 255.
- **ue-usage-type** *ue\_usage\_type\_value*: Configures the ue-usage for the gateway. *ue\_usage\_type\_value* must be an integer between 1 and 255.
- **weight** *value*: Enter a weight for this address. *value* must be an integer from 1 and 100.

### collocated-node, ue-usage-type in mme-service mode

Use the following configuration to configure collocated-node/ue-usage-type for SPGW selection at MME.

```
configure
  context context_name
    mme-service mme_service_name
      pgw-address ip_address [ collocated-node collocated_node_name [
weight value ] ] | [ ue-usage-type ue_usage_type_value [ collocated-node |
weight value ] ]
      no pgw-address [ collocated-node collocated_node_name ] [
ue-usage-type ue_usage_type_value collocated-node collocated_node_name ]
    end
```

#### NOTES:

- **no:** Disables the following options.

- **collocated-node** *collocated\_node\_name*: Configures the collocation name to select the collocated S/PGW node IP addresses for MME. *collocated\_node\_name* must be a string of size 1 to 255.
- **ue-usage-type** *ue\_usage\_type\_value*: Configures the ue-usage for the gateway. *ue\_usage\_type\_value* must be an integer between 1 through 255.
- **weight** *value*: Enter a weight for this address. *value* must be an integer from 1 through 100.

## collocated-node, ue-usage-type in lte-emergency-profile mode

Use the following configuration to configure collocated-node/ue-usage-type for SPGW selection at MME.

```
configure
    lte-policy
        lte-emergency-profile lte_emergency_profile_name
            pgw-address ip-address ip_address protocol { both | gtp | pmip }
            weight value [ collocated-node collocated_node_name ] | [ ue-usage-type
                ue_usage_type_value [ collocated-node collocated_node_name ] ]
            no pgw-address ip-address ip_address [ collocated-node
                collocated_node_name ] [ ue-usage-type ue_usage_type_value collocated-node
                collocated_node_name ]
        end
    end
```

### NOTES:

- **no**: Disables the following options.
- **collocated-node** *collocated\_node\_name*: Configures the collocation name to select the collocated SPGW node IP addresses for MME. *collocated\_node\_name* must be an alphanumeric string of 1 through 255.
- **ue-usage-type** *ue\_usage\_type\_value*: Configures the ue-usage for the gateway. *ue\_usage\_type\_value* must be an integer between 1 and 255.
- **weight** *value*: Specifies the weight used for pgw selection. *value* must be an integer from 1 and 100.

## collocated-node, ue-usage-type in tai-mgmt-obj mode

Use the following configuration to configure collocated-node/ue-usage-type for SPGW selection at MME.

```
configure
    lte-policy
        tai-mgmt-db tai_mgmt_db_name
        tai-mgmt-obj tai_mgmt_obj_name
            sgw-address ip_address s5-s8-protocol { both | gtp | pmip }
            weight value [ attach-only | collocated-node collocated_node_name [
                attach-only ] ] | [ ue-usage-type ue_usage_type_value [ collocated-node
                collocated_node_name [ attach-only ] ] ]
            no sgw-address ip_address s5-s8-protocol { both | gtp | pmip }
        } [ collocated-node collocated_node_name ] [ ue-usage-type ue_usage_type_value
            collocated-node collocated_node_name ]
    end
```

### NOTES:

- **no**: Disables the following options.
- **attach-only** : Specifies the SGW preference for SGW-relocation.
- **collocated-node** *collocated\_node\_name*: Configures the collocated node name to select the collocated S/PGW node IP addresses. *collocated\_node\_name* must be an alphanumeric string of 1 through 255.
- **ue-usage-type** *ue\_usage\_type\_value*: Specifies the S-GW supported ue-usage-type. *ue\_usage\_type\_value* must be an integer between 1 and 255.
- **weight** *value*: Specifies the protocol supported by the SGW (GTP, PMIP or both). *value* must be an integer from 1 and 100.

## Monitoring and Troubleshooting

This section provides information regarding show commands available to monitor and troubleshoot the 5G Capable SPGW Selection by MME feature.

### Show Commands and Outputs

#### show mme-service name

The output of this command includes the following fields:

- ue\_usage\_type
- collocated\_node




---

**Important** "ue\_usage\_type" and "collocated\_node" appears more than once based on number no of P-GW addresses configured.

---

#### show lte-policy tai-mgmt-db name

The output of this command includes the following fields:

- ue-usage-type
- collocated-node




---

**Important** "ue\_usage\_type" and "collocated\_node" appears more than once based on number no of S-GW addresses configured.

---

#### show apn-profile full name

The output of this command includes the following fields:

- ue-usage-type

- collocated-node



---

**Important** "ue\_usage\_type" and "collocated\_node" appears more than once based on number no of P-GW addresses configured.

---

#### **show lte-policy lte-emergency-profile name**

The output of this command includes the following fields:

- ue-usage-type
- collocated-node



---

**Important** "ue\_usage\_type" and "collocated\_node" appears more than once based on number no of P-GW addresses configured.

---





# CHAPTER 5

## Customized Interface Between MME/SGSN and GMPC

- [Feature Summary and Revision History, on page 109](#)
- [Feature Description, on page 110](#)
- [How it Works, on page 110](#)
- [Enabling GMPC Event-Report-Connection under Context, on page 111](#)
- [Configuring GMPC Multiple/Single, on page 111](#)
- [Enabling GMPC Event-Report-Connection under Call-Control-Profile, on page 111](#)
- [Binding GMPC Server Interface, on page 112](#)
- [Show Commands and Outputs, on page 112](#)

### Feature Summary and Revision History

#### Summary Data

Applicable Product(s) or Functional Area	MME/SGSN
Applicable Platform(s)	<ul style="list-style-type: none"> <li>• ASR 5000</li> <li>• ASR 5500</li> <li>• VPC-DI</li> <li>• VPC-SI</li> </ul>
Feature Default	Disabled - Configuration Required
Related Changes in This Release	Not applicable
Related Documentation	<ul style="list-style-type: none"> <li>• <i>AAA Interface Administration and Reference</i></li> <li>• <i>Command Line Interface Reference</i></li> <li>• <i>MME Administration Guide</i></li> <li>• <i>Statistics and Counters Reference</i></li> </ul>

Table 8: Revision History

Revision Details	Release
First introduced	21.19

## Feature Description

In the Customized Interface between MME/SGSN and Gateway Mobile Positioning Center (GMPC), reporting takes place in a new TCP based format to an external Gateway Mobile Positioning Center (GMPC).

The enhanced LBS services for LI enables control nodes to send all the subscriber information including subscription updates like Attach, Detach, Handover and so on, whenever an event gets triggered.

## How it Works

In Customized Interface between MME/SGSN and GMPC, by implementing a new session manager event data process, it manages the MME and SGSN events in a similar fashion to that of the EDR/CDR feature, buffers them and transmits the event data through Conn-proxy to the GMPC server.

As per the new customization between Cisco MME/SGSNs and GMPC, the interface is TCP-based and the GMPC works as a server of the TCP connection and listens to a configurable TCP port. Cisco MME/SGSN then initiate the TCP connection to GMPC.




---

**Note** Cisco MME/SGSNs must be configured to send the TCP streams towards the LBS Load Balancer and VIP.

---

The following events take place to trigger Cisco MME/SGSN to send subscriber information:

- ATTACH
- RAU (SGSN RAU)
- ISRAU (Inter SGSN RAU)
- DEACTIVATE (PDP Deactivate)
- L\_ATTACH (LTE Attach)
- L\_DETACH (LTE Detach)
- L\_HANOVER (LTE Handover)
- L\_TAU (LTE TAU)
- L\_DEDICATED\_BEARER\_ACTIVATE (LTE Establish Bearer)
- L\_DEDICATED\_BEARER\_DEACTIVATE (LTE Drop Bearer)
- L\_PDN\_CONNECT (LTE PDN Connect)
- L\_PDN\_DISCONNECT (LTE PDN Disconnect)



- L\_SERVICE\_REQUEST (LTE Service request)
- SERVICE\_REQUEST (WCDMA Service Request)
- L\_BEARER\_MODIFY (LTE Modify Bearer)
- L\_DEFAULT\_BEARER\_ACTIVATE (LTE Establish Default Bearer)
- L\_DEFAULT\_BEARER\_DEACTIVATE (LTE Drop Default Bearer)
- UNKNOWN (SGSN UNKNOWN)

When any of the above events get triggered, MME sends subscriber information such as ECGI, SAI, IMSI, MSISDN, IMEI, Event ID and MME number to GMPC.

Similarly, SGSN also sends GPRS/UMTS based subscriber information such as (LAC/RAC/SAC) to GMPC.

## Enabling GMPC Event-Report-Connection under Context

Use the following configuration to enable GMPC event-report-connection under context:

```
configure
context context_name
[ no ] event-report-conn event_report_conn_name
gmprc-event-report { dest-addr { ipv4_address | ipv6_address } dest-port
port_number | src-addr { ipv4_address | ipv6_address } src-port port_number }
end
```

## Configuring GMPC Multiple/Single

Use the following configuration to configure the connproxy mode to either “Single” or “Multi” mode:

```
configure
[ no ] require gmprc-event-report-tcp-proxy { multiple | single }
end
```




---

**Note** Connproxy mode must be either single or multiple mode.

---

## Enabling GMPC Event-Report-Connection under Call-Control-Profile

Use the following configuration to enable GMPC event-report-connection under call-control-profile:

```
configure
call-control-profile call_control_profile
[ remove ] reporting-action { event-stream { event-report-conn
```

```
event_report_conn_name } | mme-event-record }
end
```

## Binding GMPC Server Interface

Use the following configuration to bind card and port number with the GMPC source interface:

```
configure
port ethernet port_number
vlan tag_id
no shutdown
bind interface gmpc_interface_name context_name
end
```




---

**Note** Enter the card or port number details for the ethernet.

---

## Show Commands and Outputs

### **show event-report-conn all**

The output of this command displays the number of events connected between MME/SGSN and GMPC.

The output of this command includes the following fields:

- src-addr— Displays gmpc-event-report source ip-address.
- src-port—Displays source port address of gmpc-event-report connection.
- dest-addr—Displays gmpc-event-report destination ip-address.
- dest-port—Displays destination port address of gmpc-event-report connection.

### **show event-report-conn name <event\_report\_conn\_name>**

The output of this command includes the event report connection name to display the number of events connected between MME/SGSN and GMPC.

The output of this command includes the following fields:

- src-addr— Displays gmpc-event-report source ip-address.
- src-port—Displays source port address of gmpc-event-report connection.
- dest-addr—Displays gmpc-event-report destination ip-address.
- dest-port—Displays destination port address of gmpc-event-report connection.

**show gmpc-event-report statistics event-report-conn all**

The output of this command displays the statistics of gmpc-event-report connections between MME/SGSN and GMPC.

The output of this command includes the following fields:

- Total number of events—Displays the total number of gmpc-event-report connections.
- Number of events sent—Displays the total number of gmpc-event-report connections sent.
- Number of events dropped—Displays the total number of gmpc-event-report connections dropped.

**show gmpc-event-report statistics event-report-conn name <event\_report\_conn\_name>**

The output of this command includes the event report connection name to display the statistics of gmpc-event-report connections between MME/SGSN and GMPC.

The output of this command includes the following fields:

- Total number of events—Displays the total number of gmpc-event-report connections.
- Number of events sent—Displays the total number of gmpc-event-report connections sent.
- Number of events dropped—Displays the total number of gmpc-event-report connections dropped.





# CHAPTER 6

## 5G NSA for MME

- [Feature Summary and Revision History, on page 115](#)
- [Feature Description, on page 116](#)
- [How It Works, on page 119](#)
- [Configuring 5G NSA for MME, on page 125](#)
- [Monitoring and Troubleshooting, on page 130](#)

### Feature Summary and Revision History

#### Summary Data

Applicable Product(s) or Functional Area	MME
Applicable Platform(s)	<ul style="list-style-type: none"> <li>• ASR 5000</li> <li>• ASR 5500</li> <li>• VPC-DI</li> <li>• VPC-SI</li> </ul>
Feature Default	Disabled - Configuration Required
Related Changes in This Release	Not applicable
Related Documentation	<ul style="list-style-type: none"> <li>• <i>5G Non Standalone Solution Guide</i></li> <li>• <i>AAA Interface Administration and Reference</i></li> <li>• <i>Command Line Interface Reference</i></li> <li>• <i>MME Administration Guide</i></li> <li>• <i>Statistics and Counters Reference</i></li> </ul>

#### Revision History

Revision Details	Release
------------------	---------

The 5G NSA support for Secondary RAT Usage Reporting feature is qualified on the ASR 5500 platform.	21.17
The 5G NSA supports Secondary RAT Usage Reporting. <b>Important</b> This feature is not fully qualified in this release, and is available only for testing purposes. For more information, contact your Cisco Account Representative.	21.16
The 5G NSA solution for MME supports the following functionality in this release: <ul style="list-style-type: none"> <li>• Ultra-Low Latency QCI bearers handover from MME to Gn-SGSN</li> <li>• NR security algorithms for DCNR capable UEs to support 5G security</li> </ul>	21.10
The 5G NSA solution for MME supports the following functionality in this release: <ul style="list-style-type: none"> <li>• DCNR capability exchange with peer SGSN in MM context over S3 interface</li> <li>• MME support of statistics for DCNR PDNs</li> <li>• NR security algorithms for DCNR capable UEs to support 5G security</li> </ul> <b>Important</b> Support for 5G security is not fully qualified in this release.	21.9
The 5G NSA solution is qualified on the ASR 5000 platform.	21.5
First introduced.	21.8

## Feature Description

The 5G NSA solution for MME supports the following functionalities:

- **E-RAB Modification Procedure:**

When SCG (Secondary Cell Group) bearer option is applied to support DCNR, this procedure allows the Master eNodeB to switch a bearer to Secondary eNodeB without changing the S1-MME association.

- **NR Capable S-GW/P-GW Selection:**

When DCNR capable UE attempts to register in MME and when all DCNR validations are successful (for example DCNR feature configuration on MME, HSS not sending access-restriction for NR, and so on), for dynamic S-GW and P-GW selection, MME uses the following service parameters received from DNS server (in NAPTR response) over other service parameters to select NR capable S-GW/P-GW.

- x-3gpp-sgw:x-s5-gtp+nc-nr
- x-3gpp-pgw:x-s5-gtp+nc-nr

When the dynamic selection of S-GW/P-GW fails for any other reasons, MME falls back and selects the locally configured S-GW/P-GW.

- **Dynamic S-GW/P-GW Selection:**

Dynamic S-GW and P-GW selection by MME for DCNR capable UE is supported. When a DCNR capable UE attempts to register in MME and when all DCNR validations are successful (DCNR feature configuration on MME, HSS not sending access-restriction for NR, and so on), the MME sets the "UP Function Selection Indication Flags" IE with DCNR flag set to 1 in "Create Session Request" message. This feature supports the CUPS architecture for SGW-C and PGW-C to select SGW-U and PGW-U and support dual connectivity with NR. When S-GW receives this IE over S11, it sends the IE over S5 to P-GW. If S-GW receives the IE in a non-CUPS deployment, it is ignored.

- **URLCC QCI Support:**

For Ultra-Reliable and Low Latency Communications (URLCC), MME supports — QCI 80 (Non-GBR resource type), QCI 82 (GBR resource type), and QCI 83 (GBR resource type). MME establishes the default bearers with URLLC QCI 80, which is typically used by low latency eMBB applications. MME establishes the dedicated bearers with URLLC QCI 82 and QCI 83 (also with QCI 80 if dedicated bearers of non-GBR type to be established), which is typically used by discrete automation services (industrial automation).

- **PDNs with UP Function Selection Indication:**

Based on the DCNR flag in the UP Function Selection Indication Flags IE, new statistics and bulk statistics are supported for the total number of current active, setup, and released DCNR PDNs on MME.

- **NR Support in GTP MM Context over S3 Interface:**

MME supports the DCNR capability exchange with peer SGSN over the S3 interface. The DCNR restriction can be notified by the peer SGSN during handover to MME. The DCNR restriction information helps the target MME in performing the right S-GW selection.

During handovers, the target MME performs gateway selection before getting the subscription information from the HSS and hence MME may select the NR capable S-GW for DCNR restricted UE. To prevent this, the peer SGSN will notify the Restriction information (NRSRNA) through the GTP MM context in Identification-Response/Context-Response/Forward-Relocation-Request message to MME. The S3-DCNR support includes both GTPv2 and GTPv1 protocol for S4-SGSN and Gn-SGSN respectively.

- **5G Security:**

The "UE Additional Security Capability" and "Replayed UE Additional Security Capability" IEs for MME are supported as per 3GPP TS 24.301.

The MME supports handling of the "UE Additional Security Capability" IE for DCNR capable UEs. This information element is used by the UE in Attach Request and Tracking Area Update messages to indicate which additional security algorithms are supported by the UE.

The MME includes the "Replayed UE Additional Security Capability" IE if the MME supports handling of UE additional security capabilities, if the MME is initiating a Security Mode Command during an Attach or Tracking Area Update procedure and the Attach Request or Tracking Area Update Request message included a "UE Additional Security Capability" IE.

The "NR UE Security Capability" IE will be included by MME in the S1AP messages — INITIAL CONTEXT SETUP REQUEST, UE CONTEXT MODIFICATION REQUEST, HANDOVER REQUEST, PATH SWITCH ACKNOWLEDGE and DOWNLINK NAS TRANSPORT for MME as per 3GPP TS36.41.

The eNode-B includes the "NR UE Security Capability" IE in PATH SWITCH REQUEST to be processed by the MME.

• **High Throughput:**

5G NR offers downlink data throughput up to 20 Gbps and uplink data throughput up to 10 Gbps. Some interfaces in EPC have the support to handle (encode/decode) 5G throughput ranges. For example, NAS supports up to 65.2 Gbps (APN-AMBR) and S5/S8/S10/S3 (GTP-v2 interfaces) support up to 4.2 Tbps. The diameter interfaces such as S6a and Gx support only up to 4.2Gbps throughput, S1-AP supports only up to 10 Gbps and NAS supports up to 10 Gbps (MBR, GBR). New AVP/IE are introduced in S6a, Gx, S1-AP and NAS interfaces to support 5G throughput rates. See the *How It Works* section for more information.

• **Extended QoS:**

MME supports the extended QoS values towards S-GW in legacy IEs - APN-AMBR, Bearer QoS, and Flow QoS.

• **Supported IEs:**

S1-AP interface:

- Extended UE-AMBR Downlink
- Extended UE-AMBR Uplink
- Extended E-RAB Maximum Bit Rate Downlink
- Extended E-RAB Maximum Bit Rate Uplink
- Extended E-RAB Guaranteed Maximum Bit Rate Downlink
- Extended E-RAB Guaranteed Maximum Bit Rate Uplink

NAS interface:

- Extended EPS quality of service
- Extended APN aggregate maximum bit rate

• **ULL QCI bearers handover from MME to Gn-SGSN Support:**

For Ultra-Low Latency (ULL) MME is configured to map the Ultra-Low Latency values 80, 82, and 83 to Pre-Release8 QoS during handover from MME. Maximum Bit Rate (MBR) and Guaranteed Bit Rate (GBR) limits are increased to 4Tbps. MME supports outbound handover on GnGp interface to Gn-SGSN with ULL-QCI values 80, 82, and 83.

• **UE additional Security Capability:**

MME includes "UE additional security capability" IE in MM-Context over S10 interface during handover if it is available, otherwise includes the length of UE additional security capability as zero.

MME processes "UE additional security capability" for NR received in MM-Context over S10 interface during Handover only if it is not available. If the received length of UE additional security capability is zero, then it is not present in MM-context.



### Secondary RAT Usage Reporting

When a Secondary RAT is used in conjunction with E-UTRAN, operator may wish to record the data volume sent on the Secondary RAT. The PLMN locally activates the Secondary RAT Usage Data Reporting by E-UTRAN O & M. The E-UTRAN reports uplink and downlink data volumes to the EPC for the Secondary RAT on a per EPS bearer basis and per time interval. If E-UTRAN is also configured to make periodic reports, if there is no event to trigger a report before the period expires. MME handle these reports received from eNodeB in S1-AP messages and forwards it to S-GW / P-GW via GTPV2 messages.




---

**Important** MME behavior in Routing Area Update Procedure involving “MME and S3 SGSN”, will be similar to Routing Area Update Procedure involving “MME and Gn/Gp SGSN” where secondary RAT report will be sent over Change Notification to P-GW if reporting to P-GW is enabled. And report will be sent over Delete Session Request to S-GW if MME had received the Serving GW change indication.

---

## How It Works

### Architecture

This section describes the external interfaces required to support the 5G NSA architecture.

#### S6a (HSS) Interface

The S6a interface supports new AVPs "Extended-Max-Requested-BW-UL" and "Extended-Max-Requested-BW-DL" in grouped AVP "AMBR" to handle the 5G throughput ranges. When the maximum bandwidth value for UL (or DL) traffic is higher than 4294967295 bits per second, the "Max-Requested-Bandwidth-UL" AVP (or DL) must be set to the upper limit 4294967295 and the "Extended-Max-Requested-BW-UL" AVP (or DL) must be set to the requested bandwidth value in kilobits per second.

#### S1AP (eNodeB) Interface

##### Extended UE-AMBR

The S1AP interface supports new IEs "Extended UE Aggregate Maximum Bit Rate Downlink" and "Extended UE Aggregate Maximum Bit Rate Uplink" in the grouped IE "UE Aggregate Maximum Bit Rate", where the units are bits/second. If the Extended UE Aggregate Maximum Bit Rate Downlink/Uplink IE is included, then the UE Aggregate Maximum Bit Rate Downlink/Uplink IE must be ignored.

##### Extended E-RAB MBR/GBR

The S1AP interface supports new AVPs "Extended E-RAB Maximum Bit Rate Downlink/Uplink" and "Extended E-RAB Guaranteed Bit Rate Downlink/Uplink" in the "GBR QoS Information" grouped IE, where the units are bits/second.

#### NAS (UE) Interface

##### Extended APN Aggregate Maximum Bit Rate

The new IE "Extended APN aggregate maximum bit rate" is added in all applicable NAS messages to convey the 5G throughput (beyond 65.2Gbps) over NAS. The existing IE in NAS "APN-AMBR" supports APN-AMBR values up to 65.2Gbps.

#### **Extended EPS Quality of Service**

The new IE "Extended EPS Quality of Service" is added in all applicable NAS messages to convey the 5G throughput (beyond 10Gbps) over NAS. The existing IE in NAS "EPS Quality of Service" supports MBR and GBR values up to 10Gbps.

## **Limitations**

This section describes the known limitations for the 5G NSA feature:

- DCNR for S3 interface is supported only for inbound handover of UE from 2G/3G to 4G.
- MME does not support the NR capable gateway selection during connected mode inbound handover from Gn-SGSN.
- Maximum of 11 reports can be sent in single GTPV2 message towards S-GW.
- Reports sent without handover flag during handover procedure will be dropped by MME.
- Reports are not stored as part of session recovery.
- At any point of time only two reports per bearer will be handled by MME.
- Filling of "Secondary RAT Data Usage Request" IE in E-RAB MODIFY REQUEST message and handling of report in ERAB Modify RESPONSE is not supported.
- During 4g to 3g/2g IRAT handover without S-GW change, if PGW reporting is enabled, reports will be sent over the Change Notification message. Reports will not be sent to S-GW, even if the S-GW reporting is configured.

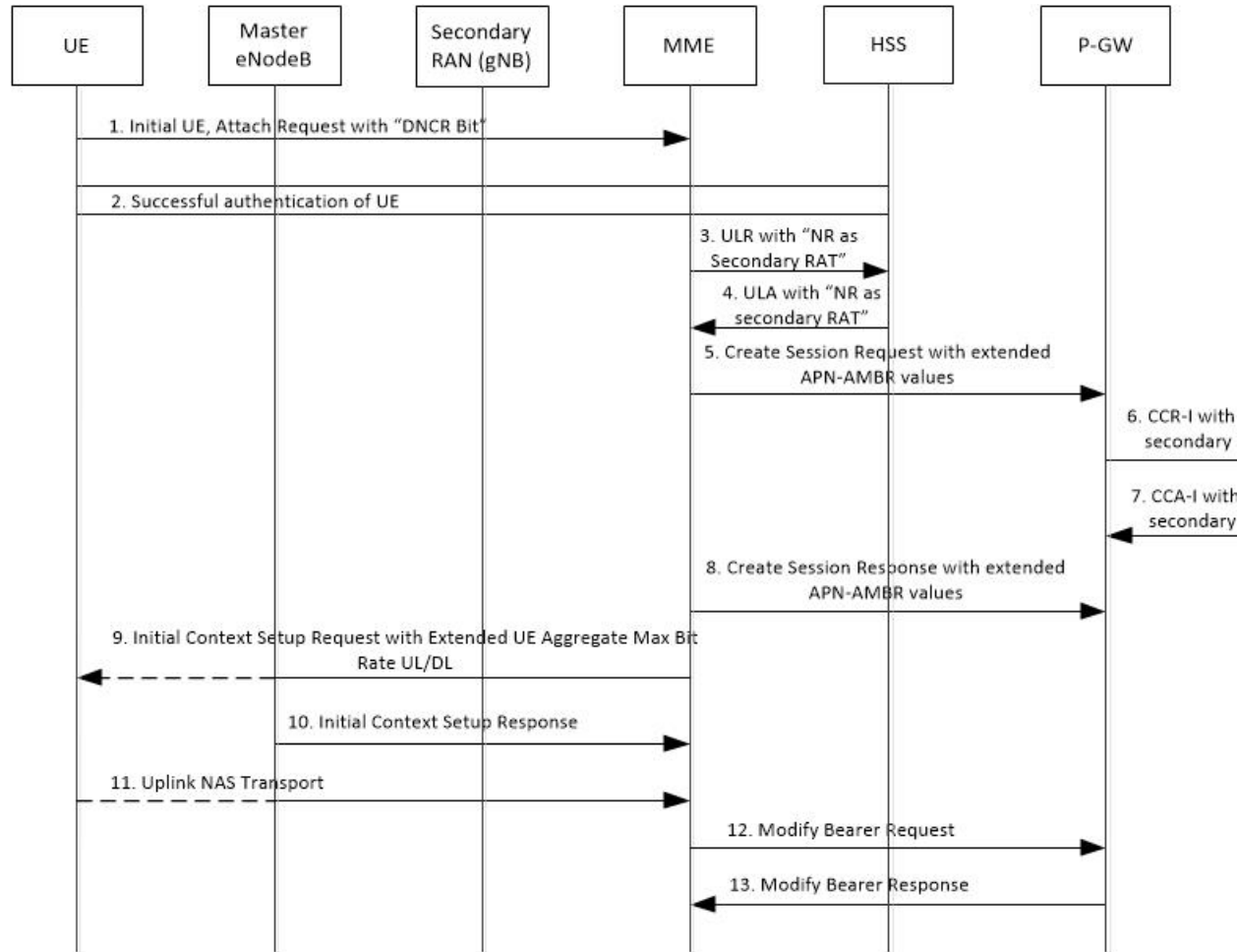
## **Flows**

This section describes the call flow procedures related to MME for 5G NSA.

### **Initial Registration Procedure**

The following call flow illustrates the Initial Registration procedure for DCNR capable UE.

**Initial Registration of DCNR Capable UE**



Step	Description
1	The DCNR capable UE sets the "DCNR bit" in NAS message "Attach Request" in "UE Network Capability" IE.  DCNR must be enabled at MME service or call control profile depending upon the operator requirement.
2	MME successfully authenticates the UE.
3	As part of the authorization process, while sending ULR to HSS, MME advertises the DCNR support by sending the "NR as Secondary RAT" feature bit in "Feature-List-ID-2".

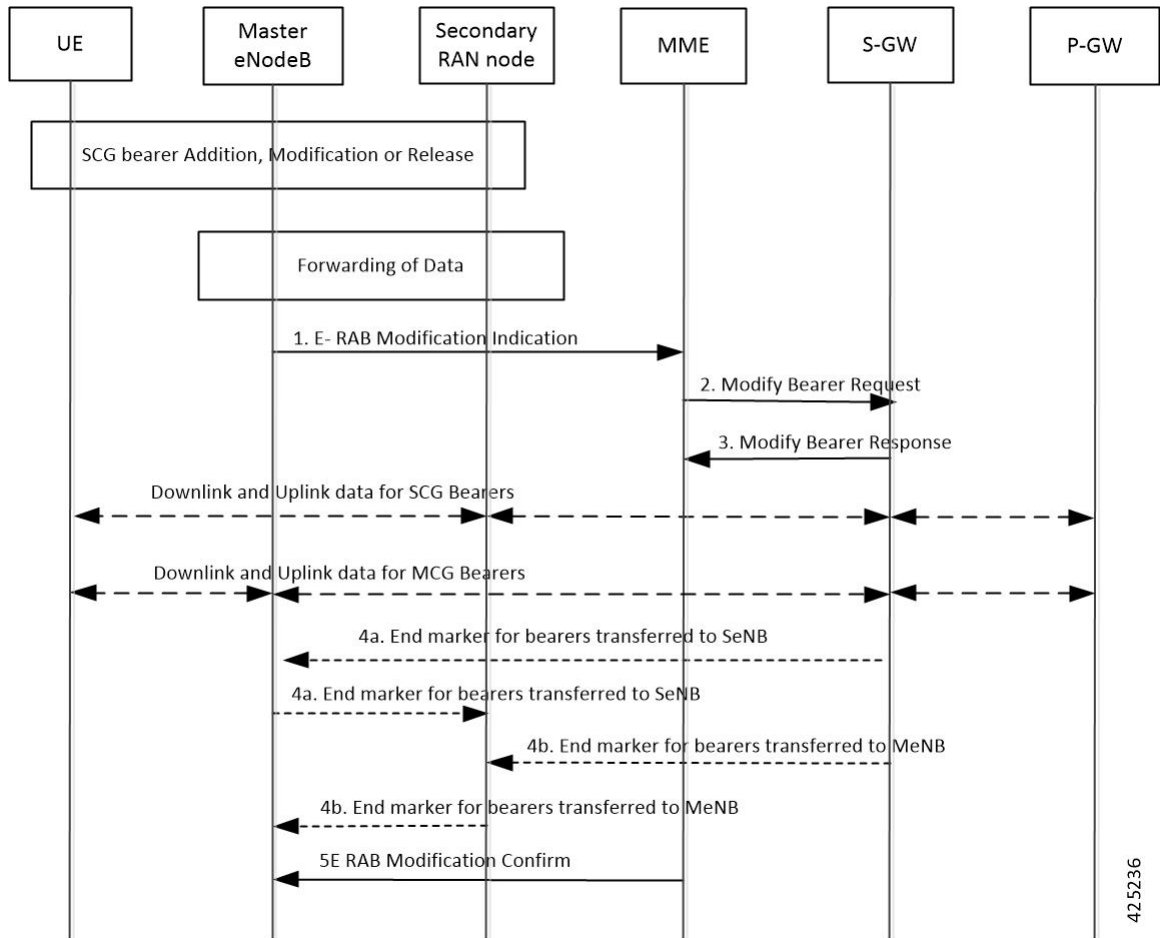
Step	Description
4	<p>HSS sends ULA by advertising the DCNR by sending "NR as Secondary RAT" feature bit in "Feature-List-ID-2", "Max-Requested-Bandwidth-UL" as 4294967295 bps, "Max-Requested-Bandwidth-DL" as 4294967295 bps, and the extended bandwidth values in AVPs "Extended-Max-Requested-BW-UL" and "Extended-Max-Requested-BW-DL".</p> <p>If HSS determines that the UE is not authorized for DCNR services, then HSS sends Subscription-Data with "Access-Restriction" carrying "NR as Secondary RAT Not Allowed".</p>
5	<p>MME sends the Create Session Request message with the extended APN-AMBR values in existing AMBR IE. As the APN-AMBR values in GTPv2 interface are encoded in kbps, the existing AMBR IE handles the 5G NSA bit rates.</p>
6	<p>P-GW sends CCR-I to PCRF advertising the DCNR by sending "Extended-BW-NR" feature bit in "Feature-List-ID-2", "APN-Aggregate-Max-Bitrate-UL" as 4294967295 bps, "APN-Aggregate-Max-Bitrate-DL" as 4294967295 bps, and the extended bandwidth values in AVPs "Extended-APN-AMBR-UL" and "Extended-APN-AMBR-DL".</p>
7	<p>PCRF sends CCA-I advertising the DCNR by sending "Extended-BW-NR" feature bit in "Feature-List-ID-2", "APN-Aggregate-Max-Bitrate-UL" as 4294967295 bps, "APN-Aggregate-Max-Bitrate-DL" as 4294967295 bps, and the extended bandwidth values in AVPs "Extended-APN-AMBR-UL" and "Extended-APN-AMBR-DL". PCRF can offer the same extended APN-AMBR values that are requested by PCRF or modify the extended APN-AMBR values. P-GW enforces the APN-AMBR values accordingly.</p>
8	<p>P-GW honors the APN-AMBR values as offered by PCRF and sends the extended APN-AMBR values in existing APN-AMBR IE in the Create Session Response message.</p>

Step	Description
9	<p>MME computes the UE-AMBR values and sends the extended UE-AMBR values in new IEs "Extended UE Aggregate Maximum Bit Rate Downlink" and "Extended UE Aggregate Maximum Bit Rate Uplink" by setting the legacy "UE AMBR Uplink" and "UE AMBR Downlink" values to the maximum allowed value 10000000000 bps (10 Gbps) in the "Initial Context Setup Request" message.</p> <p>MME sends the APN-AMBR values up to 65.2 Gbps in existing APN-AMBR IE in NAS Activate Default EPS Bearer Context Request – Attach Accept. If the APN-AMBR values are beyond 65.2 Gbps, MME sends the extended APN-AMBR values in "Extended APN Aggregate Maximum Bit Rate" IE.</p> <p>If ULA is received with "Access-Restriction" carrying "NR as Secondary RAT Not Allowed", MME sends the Initial Context Setup Request message with "NR Restriction" bit set in Handover Restriction List IE. MME sets the RestrictDCNR bit to "Use of dual connectivity with NR is restricted" in the EPS network feature support IE of the Attach Accept message. UE provides the indication that dual connectivity with NR is restricted to the upper layers accordingly.</p> <p>If the DCNR feature is not configured at MME service or call control profile, then MME sets the RestrictDCNR bit to "Use of dual connectivity with NR is restricted" in the EPS network feature support IE of the Attach Accept message. UE provides the indication that dual connectivity with NR is restricted to the upper layers accordingly.</p>
10	<p>eNodeB sends the Initial Context Setup Response message. If master eNodeB determines to establish the bearer on secondary eNodeB, F-TEID of the secondary eNodeB may be sent (transport layer address and TEID of secondary eNodeB). It is transparent to MME if the bearer is established on master eNodeB or secondary eNodeB.</p>
11	<p>eNodeB sends Uplink NAS Transport with NAS message "Complete - Activate Default EPS Bearer Context Accept".</p>
12	<p>MME sends the Modify Bearer Request message to S-GW with S1-U F-TEID details as received in the Initial Context Setup Response message.</p>
13	<p>MME receives the Modify Bearer Response message from S-GW.</p>

## E-RAB Modification Procedure

When Secondary Cell Group (SCG) bearer option is applied to support DCNR, the E-RAB Modification procedure is used to transfer bearer contexts to and from secondary eNodeB or secondary gNodeB.

Figure 9: E-RAB Modification Procedure by Master eNodeB



Step	Description
1	The master eNodeB (MeNB) sends an E-RAB Modification Indication message (eNodeB address(es) and TEIDs for downlink user plane for all the EPS bearers) to the MME. The MeNB indicates if each bearer is modified or not. The "E-RAB to be Modified List" IE contains both "E-RAB to Be Modified Item" and "E-RAB not to Be Modified Item" IEs. For the bearer that need to be switched to secondary eNodeB/gNodeB (SeNB), the "E-RAB to Be Modified Item" IE contains the transport layer address of gNodeB and TEID of gNodeB.
2	The MME sends a Modify Bearer Request message (eNodeB address(es) and TEIDs for downlink user plane for all the EPS bearers) per PDN connection to the S-GW, only for the affected PDN connections.
3	The S-GW returns a Modify Bearer Response message (S-GW address and TEID for uplink traffic) to the MME as a response to the Modify Bearer Request message.
4	For the bearers transferred to SeNB, S-GW sends one or more end marker packets on the old path (to MeNB) immediately after switching the path.

Step	Description
5	The MME confirms E-RAB modification with the E-RAB Modification Confirm message. The MME indicates if each bearer was successfully modified, retained, unmodified or already released by the EPC.

## Standards Compliance

Cisco's implementation of the 5G NSA feature complies with the following standards:

- 3GPP 23.003 Release 15.2.0 - Numbering, addressing and identification.
- 3GPP 23.401 Release 15.2.0 - General Packet Radio Service (GPRS) enhancements for Evolved Universal Terrestrial Radio Access Network (E-UTRAN) access
- 3GPP 29.272 Release 15.2.0 - Evolved Packet System (EPS); Mobility Management Entity (MME) and Serving GPRS Support Node (SGSN) related interfaces based on Diameter protocol
- 3GPP 29.274 Release 15.2.0 - 3GPP Evolved Packet System (EPS); Evolved General Packet Radio Service (GPRS) Tunneling Protocol for Control plane (GTPv2-C); Stage 3
- 3GPP 29.303 Release 15.2.0 - Domain Name System Procedures

Cisco's implementation of the Secondary RAT Usage Reporting complies with the following standards:

- 3GPP 29.274: 15.5.0 3GPP Evolved Packet System (EPS); Evolved General Packet Radio Service (GPRS) Tunneling Protocol for Control plane (GTPv2-C) Stage 3
- 3GPP 36.413: 15.3.0 Evolved Universal Terrestrial Radio Access Network (E-UTRAN); S1 Application Protocol (S1AP)
- 3GPP 23.401: 15.5.0 General Packet Radio Service (GPRS) enhancements for Evolved Universal Terrestrial Radio Access Network (E-UTRAN) access

## Configuring 5G NSA for MME

This section describes how to configure 5G NSA to support MME.

Configuring 5G NSA on MME involves:

- [Enabling DCNR in MME Service, on page 125](#)
- [Enabling DCNR in Call Control Profile, on page 126](#)
- [Configuring APN AMBR Values, on page 126](#)
- [Configuring Dedicated Bearer MBR Values, on page 129](#)
- [Configuring UE AMBR Values, on page 130](#)

## Enabling DCNR in MME Service

Use the following configuration to enable DCNR to support 5G NSA.

```

configure
  context context_name
    mme-service service_name
      [ no ] dcnr
    end

```

**NOTES:**

- **mme-service** *service\_name*: Creates an MME service or configures an existing MME service in the current context. *service\_name* specifies the name of the MME service, name must be an string from 1 to 63 characters.
- **no**: Disables the DCNR configuration.
- The **dcnr** CLI command is disabled by default.

## Enabling DCNR in Call Control Profile

Use the following configuration to enable Dual Connectivity with New Radio (DCNR) to support 5G Non Standalone (NSA).

```

configure
  call-control-profile profile_name
    [ no | remove ] dcnr
  end

```

**NOTES:**

- **call-control-profile** *profile\_name*: Creates an instance of a call control profile. *profile\_name* specifies the name of the call control profile, it must be an string from 1 to 64 characters.
- **no**: Disables the DCNR configuration in the call control profile.
- **remove**: Removes the DCNR configuration from the call control profile.
- The **dcnr** CLI command is disabled by default.

## Configuring APN AMBR Values

Use the following configuration to configure the APN aggregate maximum bit rate (AMBR) that will be stored in the Home Subscriber Server (HSS).

```

configure
  apn-profile profile_name
    qos apn-ambr max-ul mbr_up max-dl mbr_down
    remove qos apn-ambr
  end

```

**NOTES:**

- **apn-profile** *profile\_name*: Creates an instance of an access point name (APN) profile. *profile\_name* specifies the name of the APN profile as an alphanumeric string of 1 to 64 characters.
- **qos**: Configures the quality of service (QoS) parameters to be applied.
- **apn-ambr**: Configures the aggregate maximum bit rate (AMBR) for the APN.



- **max-ul** *mbr\_up*: Defines the maximum bit rates for uplink traffic. *mbr\_up* must be an integer from 1 to 4000000000000 (4 Tbps).
- **max-dl** *mbr\_down*: Defines the maximum bit rates for downlink traffic. *mbr\_down* must be an integer from 1 to 4000000000000 (4 Tbps).
- **remove**: Removes the APN AMBR changes from the configuration for this APN profile.

## Enabling Secondary RAT Data Usage Report in Call Control Profile

Use the following configuration to enable Secondary RAT Data Usage Report to support 5G NSA.

```
configure
  call-control-profile profile_name
    secondary-rat data-usage-report { pgw [ sgw ] | sgw [ pgw ] }
    [ no | remove ] secondary-rat data-usage-report
  end
```




---

**Important** Both CLI configuration and the current running procedure are taken into account while filling the flags IRSGW/IRPGW in GTPv2 messages towards S-GW/P-GW.

---

### NOTES:

- **no**: Disables the Secondary RAT Usage Report at call-control-profile.
- **remove**: Removes the Secondary-RAT Usage Report configuration from call-control-profile. It fallbacks to MME service-level configuration.
- **secondary-rat data-usage-report { pgw [ sgw ] | sgw [ pgw ] }** MME sets IR-SGW and IR-PGW flags based on the available options configured for Secondary-RAT data usage report. By default, MME disables the Secondary-RAT data usage reporting towards both SGW and PGW. If the configuration is removed from call-control-profile, then it fall-back to MME-SERVICE level configuration for Secondary-RAT-Data-Usage-Report functionality.
  - **secondary-rat data-usage-report sgw** Disables the Secondary-RAT Usage Report option for P-GW and enables only for S-GW.
  - **secondary-rat data-usage-report pgw** Disables the Secondary-RAT Usage Report option for SGW and enables only for PGW.
  - **secondary-rat data-usage-report sgw pgw** Enables Secondary-RAT Usage Report option for both SGW and PGW.
  - **secondary-rat data-usage-report pgw sgw** Enables Secondary-RAT Usage Report option for both SGW and PGW.

## Enabling Secondary RAT Data Usage Report in MME Service

Use the following configuration to enable Secondary RAT Data Usage Report to support 5G NSA.

```

configure
  context context_name
    mme-service service_name
      secondary-rat data-usage-report { pgw [ sgw ] | sgw [ pgw ] }
      no secondary-rat data-usage-report
    end

```




---

**Important** Both CLI configuration and the current running procedure are taken into account while filling the flags IRSGW/IRPGW in GTPv2 messages towards S-GW/P-GW.

---

#### NOTES:

- **no**: Disables the Secondary RAT Usage Report at mme-service.
- **secondary-rat data-usage-report { pgw [ sgw ] | sgw [ pgw ] }** MME sets IR-SGW and IR-PGW flags based on the available options configured for Secondary-RAT data usage report. By default, MME disables the Secondary-RAT data usage reporting towards both SGW and PGW. If the configuration is removed from call-control-profile, then it fall-back to MME-SERVICE level configuration for Secondary-RAT-Data-Usage-Report functionality.
  - **secondary-rat data-usage-report sgw**: Disables the Secondary-RAT Usage Report option for P-GW and enables only for S-GW.
  - **secondary-rat data-usage-report pgw** : Disables the Secondary-RAT Usage Report option for S-GW and enables only for P-GW.
  - **secondary-rat data-usage-report sgw pgw**: Enables Secondary-RAT Usage Report option for both S-GW and P-GW.
  - **secondary-rat data-usage-report pgw sgw**: Enables Secondary-RAT Usage Report option for both S-GW and P-GW.

## Configuring Pre-Release 8 QoS Mapping QCI

Use the following configuration to configure mapping of EPC QOS (non-standard QCIs) to 3GPP Pre-Release 8 QOS.

```

configure
  bearer-control-profile profile_name
    pre-rel8-qos-mapping qci qci_val
    remove pre-rel8-qos-mapping qci
  end

```

#### NOTES:

- **bearer-control-profile profile\_name**: Creates an instance of a bearer control profile. *profile\_name* specifies the name of the bearer control profile as an alphanumeric string of 1 to 64 characters.
- **remove**: Removes the DCNR configuration from the call control profile.
- **qci qci\_val**: Specifies the QoS Class Identifier. *qci\_val* must be an integer between 1 to 9, 65, 66, 69, 70, 80, 82, and 83.

## Configuring Dedicated Bearer MBR Values

Use the following configuration to configure the quality of service maximum bit rate (MBR) values for the dedicated bearer.

```
configure
  apn-profile apn_profile_name
    qos dedicated-bearer mbr max-ul mbr_up max-dl mbr_down
  remove qos dedicated-bearer
end
```

### NOTES:

- **apn-profile** *apn\_profile*: Creates an instance of an Access Point Name (APN) profile. *apn\_profile\_name* specifies the name of the APN profile as an alphanumeric string of 1 to 64 characters.
- **qos**: Configures the quality of service (QoS) parameters to be applied.
- **dedicated-bearer mbr**: Configures the maximum bit rate (MBR) for the dedicated bearer.
- **max-ul** *mbr\_up*: Defines the maximum bit rate for uplink traffic. *mbr\_up* must be an integer from 1 to 4000000000000 (4 Tbps).
- **max-dl** *mbr\_down*: Defines the maximum bit rate for downlink traffic. *mbr\_down* must be an integer from 1 to 4000000000000 (4 Tbps).
- **remove**: Deletes the dedicated bearer MBR changes from the configuration for this APN profile.

## Configuring Dedicated Bearer MBR Values

Use the following configuration to configure the quality of service maximum bit rate (MBR) values for the dedicated bearer.

```
configure
  bearer-control-profile profile_name
    dedicated-bearer { mbr mbr-up mbr_up mbr-down mbr_down | gbr gbr-up gbr_up
  gbr-down gbr_down
  remove dedicated-bearer { gbr | mbr }
end
```

### NOTES:

- **bearer-control-profile** *profile\_name*: Creates an instance of a bearer control profile. *profile\_name* specifies the name of the bearer control profile as a string from 1 to 64 characters.
- **dedicated-bearer mbr**: Configures the maximum bit rate (MBR) for the dedicated bearer.
- **gbr-up** *gbr\_up*: Defines the guaranteed bit rate for uplink traffic. *gbr\_up* must be an integer from 1 to 4000000000000 (4 Tbps).
- **gbr-down** *gbr\_down*: Defines the guaranteed bit rate for downlink traffic. *gbr\_down* must be an integer from 1 to 4000000000000 (4 Tbps).
- **mbr-up** *mbr\_up*: Defines the maximum bit rate for uplink traffic. *mbr\_up* must be an integer from 1 to 4000000000000 (4 Tbps).

- **mbr-down** *mbr\_down*: Defines the maximum bit rate for downlink traffic. *mbr\_down* must be an integer from 1 to 4000000000000 (4 Tbps).
- **remove**: Deletes the dedicated bearer MBR changes from the configuration for this bearer control profile.

## Configuring UE AMBR Values

Use the following configuration to configure the values for aggregate maximum bit rate stored on the UE (UE AMBR).

```
configure
  call-control-profile profile_name
    qos ue-ambr { max-ul mbr_up max-dl mbr_down }
    remove qos ue-ambr
  end
```

### NOTES:

- **call-control-profile** *profile\_name*: Creates an instance of a call control profile. *profile\_name* specifies the name of a call control profile entered as an alphanumeric string of 1 to 64 characters.
- **qos**: Configures the quality of service (QoS) parameters to be applied.
- **ue-ambr**: Configures the aggregate maximum bit rate stored on the UE (UE AMBR).
- **max-ul** *mbr\_up*: Defines the maximum bit rate for uplink traffic. *mbr\_up* must be an integer from 1 to 4000000000000 (4 Tbps).
- **max-dl** *mbr\_down*: Defines the maximum bit rate for uplink traffic. *mbr\_down* must be an integer from 1 to 4000000000000 (4 Tbps).
- **remove**: Deletes the configuration from the call control profile.

## Monitoring and Troubleshooting

This section provides information regarding show commands and bulk statistics available to monitor and troubleshoot the 5G NSA feature.

### Show Commands and Outputs

#### **show mme-service db record imsi**

The output of this command includes the following fields:

ARD:

- **Dual-Connectivity-NR-not-allowed** — Displays True or False to identify if the ARD received from HSS indicates the DCNR feature is allowed for the given IMSI or not.

**show mme-service name <mme\_svc\_name>**

The output of this command includes the "DCNR" field to indicate if the DCNR feature is enabled or disabled at MME service.

**show mme-service session full all**

The output of this command includes the following fields:

UE DC-NR Information:

- DC-NR capable UE — Indicates whether the UE is DCNR capable.
- DC-NR operation allowed — Indicates whether the DCNR operation is allowed by MME for the DCNR capable UE.

**show mme-service statistics**

- Dual Connectivity with NR Statistics:

Attach Procedure

- Attach Request Rcvd — The number of Attach Request messages received with UE advertising DCNR support.
- Attach Acc DCNR allowed — The number of Attach Accept messages sent by the MME acknowledging the DCNR support for UE (Restrict DCNR bit not set in Attach Accept).
- Attach Acc DCNR denied — The number of Attach Accepts sent by MME rejecting the DCNR support for the UE (Restrict DCNR bit set in Attach Accept).
- Attach Reject Sent — The number of Attach Reject messages sent by MME whose corresponding Attach Request messages have DCNR support capability.
- Attach Complete Rcvd — The number of Attach Complete messages received by MME whose corresponding Attach Request messages have DCNR support capability.

Intra-MME TAU Procedure

- TAU Request Rcvd — The number of TAU Request messages received for Intra-MME TAU procedure with UE advertising DCNR support.
- TAU Accept DCNR allowed — The number of TAU Accept messages sent by the MME acknowledging the DCNR support for UE (Restrict DCNR bit not set in TAU Accept) for Intra-MME TAU procedure.
- TAU Accept DCNR denied — The number of TAU Accept messages sent by the MME rejecting the DCNR support for UE (Restrict DCNR bit set in TAU Accept) for Intra-MME TAU procedure.
- TAU Complete Rcvd — The number of TAU Complete messages received by the MME whose corresponding Intra-MME TAU Requests have DCNR support capability.

Inter-MME TAU Procedure

- TAU Request Rcvd — The number of TAU Request messages received for Inter-MME TAU procedure with UE advertising DCNR support.

- TAU Accept DCNR allowed — The number of TAU Accept messages sent by the MME acknowledging the DCNR support for UE (Restrict DCNR bit not set in TAU Accept) for Inter-MME TAU procedure.
- TAU Accept DCNR denied — The number of TAU Accept messages sent by the MME rejecting the DCNR support for UE (Restrict DCNR bit set in TAU Accept) for Inter-MME TAU procedure.
- TAU Reject Sent — The number of TAU Reject messages sent by the MME whose corresponding Inter-MME TAU Requests have DCNR support capability.
- TAU Complete Rcvd — The number of TAU Complete messages received by the MME whose corresponding Inter-MME TAU Requests have DCNR support capability.

#### Dual Connectivity with NR Subscribers

- Attached Calls — The number of DCNR supported UEs attached with the MME.
- Connected Calls — The number of DCNR supported UEs in connected mode at the MME.
- Idle Calls — The number of DCNR supported UEs in idle mode at the MME.

#### Node Selection:

##### SGW DNS:

- Common — The number of times S-GW DNS selection procedures are performed with DNS RR excluding the NR network capability.
- NR Capable — The number of times S-GW DNS selection procedures are performed with DNS RR including the NR network capability.

##### SGW Local Config

- Common — The number of times S-GW selection procedures are performed with locally configured S-GW address, without considering the NR network capability.

##### PGW DNS:

- Common — The number of times P-GW DNS selection procedures are performed with DNS RR excluding the NR network capability.
- NR Capable — The number of times P-GW DNS selection procedures are performed with DNS RR including the NR network capability.

##### PGW Local Config:

- Common — The number of times P-GW selection procedures are performed with locally configured P-GW address, without considering the NR network capability.

**Important**

When UE is defined with "UE usage type" and "NR Capable", S-GW/P-GW via DNS is selected in the following order:

1. MME chooses S-GW/P-GW that support both +ue and +nr services.
2. If step 1 fails, MME selects S-GW/P-GW that supports +nr service only.
3. If step 2 fails, MME selects S-GW/P-GW that supports +ue service only.
4. If step 3 fails, MME selects S-GW/P-GW without +nr or +ue service.

---

- Handover Statistics:

- Bearer Statistics

- ERAB Modification Indication

- Attempted — The number of bearers for which the E-RAB Modification Indication procedure is attempted (bearer level stats).
      - Success — The number of bearers for which the E-RAB Modification Indication procedure has succeeded (bearer level stats).
      - Failures — The number of bearers for which the E-RAB Modification Indication procedure has failed (bearer level stats).

- ESM Statistics:

- DCNR User PDN Connections:

- Attempted — The total number of attempts made for DCNR user PDN connections associated with all MME services on the system.
    - Success — The total number of successful attempts for DCNR user PDN connections associated with all MME services on the system.
    - Failures — The total number of attempts failed for DCNR user PDN connections associated with all MME services on the system.

- DCNR User PDN Statistics:

- All PDNs — Displays statistics for all DCNR user PDNs, connected and idle, through the MME service(s) on the system.
    - Connected PDNs — Displays statistics for connected DCNR user PDNs through the MME service(s) on the system.
    - Idle PDNs — Displays statistics for idle DCNR user PDNs through the MME service(s) on the system.

- Paging Initiation for PS QCI-80, QCI 82, and QCI 83 Events:

- Attempted — The total number of ECM statistics related to PS paging initiation events attempted for QCI 80, QCI 82, and QCI 83.

- Success — The total number of ECM statistics related to PS paging initiation events successful for QCI 80, QCI 82, and QCI 83.
- Failures — The total number of ECM statistics related to PS paging initiation events failed for QCI 80, QCI 82, and QCI 83.
  - Success at Last n eNB — The total number of ECM statistics related to PS paging initiation events succeeded at the last known eNodeB for QCI 80, QCI 82, and QCI 83.
  - Success at Last TAI — The total number of ECM statistics related to PS paging initiation events succeeded at the eNodeB in the TAI from which the UE was last heard for QCI 80, QCI 82, and QCI 83.
  - Success at TAI List — The total number of ECM statistics related PS paging initiation events succeeded at the eNodeB in all TAIs present in the TAI list assigned to the UE for QCI 80, QCI 82, and QCI 83.

### **show mme-service statistics dcnr**

The output of this command includes the following fields:

#### Secondary RAT Usage Reports Rx Count

- UE Ctxt Release Req — Indicates the number of secondary RAT data usage reports received in UE context release request message.
- UE Ctxt Release Cmpl — Indicates the number of secondary RAT data usage reports received in UE context release complete message .
- E-RAB Mod Ind — Indicates the number of secondary RAT data usage reports received in eRAB Modification Indication message.
- E-RAB Release Ind — Indicates the number of secondary RAT data usage reports received in eRAB Release Indication message.
- E-RAB Release Resp — Indicates the number of secondary RAT data usage reports received in eRAB Release Response message.
- Secondary RAT Data Usage Report[Periodic] — Indicates the number of secondary RAT data usage reports received in Secondary RAT Data Usage Report message without Handover flag.
- Secondary RAT Data Usage Report[Handover] — Indicates the number of secondary RAT data usage reports received in Secondary RAT Data Usage Report message with Handover flag.
- S10 Fwd Reloc Cmpl Ack — Indicates the number of secondary RAT data usage reports received in Forward Reloc Complete Ack message from MME to MME.
- Dropped Periodic Report[HO in progress] — Indicates the number of secondary RAT data usage reports dropped when Secondary RAT Data Usage Report message was received without Handover flag during Handover.

#### Secondary RAT Usage Reports Tx Count:

- Create Session Req — Indicates the number of secondary RAT data usage reports sent in Create Session Request .



- Delete Session Req — Indicates the number of secondary RAT data usage reports sent in Delete Session Request.
- Delete Bearer Rsp — Indicates the number of secondary RAT data usage reports sent in Delete Bearer Response .
- Release Access Brr Req — Indicates the number of secondary RAT data usage reports sent in Release Access Bearer Request.
- Delete Bearer Cmd —Indicates the number of secondary RAT data usage reports sent in Delete Bearer Command.
- Modify Bearer Req — Indicates the number of secondary RAT data usage reports sent in Modify Bearer Request.
- Change Notification — Indicates the number of secondary RAT data usage reports sent in Change Notification.
- S10 Fwd Reloc Cmpl Ack — Indicates the number of secondary RAT data usage reports sent in Forward Reloc Complete Ack.

#### **show mme-service statistics s1ap**

The output of this command includes the following fields:

S1AP Statistics:

Transmitted S1AP Data:

- E-RAB Modification Cfm — Indicates the number of E-RAB Modification Confirm messages sent by MME upon successful E-RAB modification procedure.

Received S1AP Data

- E-RAB Mod Ind — Indicates the number of E-RAB Modification Indication messages received from the master eNodeB.

Received S1AP Data:

- Secondary RAT Data Usage Report — Indicates the number of Secondary RAT Data Usage Report messages received from eNodeB.

#### **show subscribers mme-service**

The output of this command includes the "DCNR Devices" field to indicate the number of DCNR devices that are attached to the MME.

#### **show call-control-profile full all**

The output of this command includes the following fields:

- DCNR
- Secondary RAT Usage Report

**show mme-service all**

The output of this command includes the following fields:

- DCNR
- Secondary RAT Usage Report

## Bulk Statistics

This section provides information on the bulk statistics for the 5G NSA feature on MME.

### MME Schema

The following 5G NSA feature related bulk statistics are available in the MME schema.

Bulk Statistics	Description
attached-dcnr-subscriber	The current total number of attached subscribers capable of operating in DCNR.
connected-dcnr-subscriber	The current total number of subscribers capable of operating in DCNR and in connected state.
idle-dcnr-subscriber	The current total number of subscribers capable of operating in DCNR and in idle state.
dcnr-attach-req	The total number of Attach Request messages that are received with DCNR supported.
dcnr-attach-acc-allowed	The total number of Attach Accept messages that are sent with DCNR allowed.
dcnr-attach-acc-denied	The total number of Attach Accept messages that are sent with DCNR denied.
dcnr-attach-rej	The total number of DCNR requested Attach Rejected messages.
dcnr-attach-comp	The total number of Attach Complete messages that are received for DCNR supported attaches.
dcnr-intra-tau-req	The total number of Intra-TAU Request messages that are received with DCNR supported.
dcnr-intra-tau-acc-allowed	The total number of Intra-TAU Accept messages that are sent with DCNR allowed.
dcnr-intra-tau-acc-denied	The total number of Intra-TAU Accept messages that are sent with DCNR denied.
dcnr-intra-tau-comp	The total number of Intra-TAU Complete messages that are received for DCNR supported requests.

<b>Bulk Statistics</b>	<b>Description</b>
dcnr-inter-tau-req	The total number of Inter-TAU Request messages that are received with DCNR supported.
dcnr-inter-tau-acc-allowed	The total number of Inter-TAU Accept messages that are sent with DCNR allowed.
dcnr-inter-tau-acc-denied	The total number of Inter-TAU Accept messages that are sent with DCNR denied.
dcnr-inter-tau-rej	The total number of DCNR requested Inter-TAU Request messages that are rejected.
dcnr-inter-tau-comp	The total number of Inter-TAU Complete messages that are received for DCNR supported requests.
s1ap-recdata-eRabModInd	The total number of S1 Application Protocol - E-RAB Modification Indication messages received from all eNodeBs.
s1ap-transdata-eRabModCfm	The total number of E-RAB Modification Confirmation messages sent by the MME to the eNodeB.
erab-modification-indication-attempted	The total number of bearers for which E-RAB Modification Indication messages were sent.
erab-modification-indication-success	The total number of bearers for which E-RAB Modification Indication messages were sent.
erab-modification-indication-failures	The total number of bearers for which E-RAB Modification Indication failed as shown in E-RAB Modification Indication Confirm message.
emmevent-path-update-attempt	The total number of EPS Mobility Management events - Path Update attempted.
emmevent-path-update-success	The total number of EPS Mobility Management events - Path Update successes.
emmevent-path-update-failure	The total number of EPS Mobility Management events - Path Update failures.
dcnr-dns-sgw-selection-common	The total number of times S-GW DNS selection procedures are performed with DNS RR excluding NR network capability.
dcnr-dns-sgw-selection-nr	The total number of times S-GW DNS selection procedures were performed with DNS RR including NR network capability.

<b>Bulk Statistics</b>	<b>Description</b>
dcnr-dns-sgw-selection-local	The total number of times S-GW selection procedures were performed with locally configured S-GW address, without considering the NR network capability.
dcnr-dns-pgw-selection-common	The total number of times P-GW DNS selection procedures were performed with DNS RR excluding NR network capability.
dcnr-dns-pgw-selection-nr	The total number of times P-GW DNS selection procedures were performed with DNS RR including NR network capability.
dcnr-dns-pgw-selection-local	The total number of times P-GW selection procedures were performed with locally configured P-GW address, without considering the NR network capability.
esmevent-dcnr-user-pdncon-attempt	The total number of EPS Session Management events - DCNR User PDN connections - attempted.
esmevent-dcnr-user-pdncon-success	The total number of EPS Session Management events - DCNR User PDN connections - successes.
esmevent-dcnr-user-pdncon-failure	The total number of EPS Session Management events - DCNR User PDN connections - failures.
pdn-dcnr-user-all	The current total number of DCNR user PDN connections in any state.
pdn-dcnr-user-connected	The current total number of DCNR user connected PDNs.
pdn-dcnr-user-idle	The current total number of DCNR user idle PDNs.
ps-qci-80-paging-init-events-attempted	The total number of ECM statistics related to PS paging initiation events attempted for QCI 80.
ps-qci-80-paging-init-events-success	The total number of ECM statistics related to PS paging initiation events successful for QCI 80.
ps-qci-80-paging-init-events-failures	The total number of ECM statistics related to PS paging initiation events failed for QCI 80.
ps-qci-80-paging-last-enb-success	The total number of ECM statistics related to PS paging initiation events succeeded at the last known eNodeB for QCI 80.
ps-qci-80-paging-last-tai-success	The total number of ECM statistics related to PS paging initiation events succeeded at an eNodeB in the TAI from which the UE was last heard for QCI 80.

<b>Bulk Statistics</b>	<b>Description</b>
ps-qci-80-paging-tai-list-success	The total number of ECM statistics related to PS paging initiation events succeeded at an eNodeB in all TAIs present in the TAI list assigned to the UE for QCI 80.
ps-qci-82-paging-init-events-attempted	The total number of ECM statistics related to PS paging initiation events attempted for QCI 82.
ps-qci-82-paging-init-events-success	The total number of ECM statistics related to PS paging initiation events successful for QCI 82.
ps-qci-82-paging-init-events-failures	The total number of ECM statistics related to PS paging initiation events failed for QCI 82.
ps-qci-82-paging-last-enb-success	The total number of ECM statistics related to PS paging initiation events succeeded at the last known eNodeB for QCI 82.
ps-qci-82-paging-last-tai-success	The total number of ECM statistics related to PS paging initiation events succeeded at an eNodeB in the TAI from which the UE was last heard for QCI 82.
ps-qci-82-paging-tai-list-success	The total number of ECM statistics related to PS paging initiation events succeeded at an eNodeB in all TAIs present in the TAI list assigned to the UE for QCI 82.
ps-qci-83-paging-init-events-attempted	The total number of ECM statistics related to PS paging initiation events attempted for QCI 83.
ps-qci-83-paging-init-events-success	The total number of ECM statistics related to PS paging initiation events successful for QCI 83.
ps-qci-83-paging-init-events-failures	The total number of ECM statistics related to PS paging initiation events failed for QCI 83.
ps-qci-83-paging-last-enb-success	The total number of ECM statistics related to PS paging initiation events succeeded at the last known eNodeB for QCI 83.
ps-qci-83-paging-last-tai-success	The total number of ECM statistics related to PS paging initiation events succeeded at an eNodeB in the TAI from which the UE was last heard for QCI 83.
ps-qci-83-paging-tai-list-success	The total number of ECM statistics related to PS paging initiation events succeeded at an eNodeB in all TAIs present in the TAI list assigned to the UE for QCI 83.

<b>Bulk Statistics</b>	<b>Description</b>
s1ap-recdata-secratdatausagerep	Total number of Secondary RAT Data Usage Report messages received by MME.
dcnr-s1ap-rx-srur-uectxrelreq	Total number of reports received in UE Context Release Request.
dcnr-s1ap-rx-srur-uectxrelcpl	Total number of reports received in UE Context Release Complete.
dcnr-s1ap-rx-srur-erabmodind	Total number of reports received in eRAB Modification Indication.
dcnr-s1ap-rx-srur-erabrelind	Total number of reports received in eRAB Release Indication.
dcnr-s1ap-rx-srur-erabrelres	Total number of reports received in eRAB Release Response.
dcnr-s10-rx-srur-fwdrelcpack	Total number of reports received in Forward Relocation Complete Ack.
dcnr-s11-tx-srur-csreq	Total number of reports sent in Create Session Request.
dcnr-s11-tx-srur-dsreq	Total number of reports sent in Delete Session Request.
dcnr-s11-tx-srur-dbrsp	Total number of reports sent in Delete Bearer Response.
dcnr-s11-tx-srur-rabreq	Total number of reports sent in Release Access bearer Request.
dcnr-s11-tx-srur-dbcmd	Total number of reports sent in Delete Bearer Command.
dcnr-s11-tx-srur-mbreq	Total number of reports sent in Modify Bearer Request.
dcnr-s11-tx-srur-chngnot	Total number of reports sent in Change Notification.
dcnr-s10-tx-srur-fwdrelcpack	Total number of reports sent in Forward Relocation Complete Ack.
dcnr-s1ap-rx-srur-periodicdropped	Total number of reports dropped when Secondary RAT Data Usage Report message was received without Handover flag during Handover.
dcnr-s1ap-rx-srdur-periodic	Total number of reports received in Secondary RAT Data Usage Report message without Handover flag.
dcnr-s1ap-rx-srdur-ho	Total number of reports received in Secondary RAT Data Usage Report message with Handover flag.

## TAI Schema

The following 5G NSA feature related bulk statistics are available in the TAI schema.

<b>Bulk Statistics</b>	<b>Description</b>
tai-esmevent-dcnr-user-pdncon-attempt	The total number of DCNR User PDN connection EPS Session Management events attempted per TAI.
tai-esmevent-dcnr-user-pdncon-success	The total number of successful DCNR User PDN connection EPS Session Management events per TAI.
tai-esmevent-dcnr-user-pdncon-failure	The total number of failed DCNR User PDN connection EPS Session Management events per TAI.







## CHAPTER 7

# 5GS Interworking using N26 Interface Support

This chapter describes the following topics:

- [Feature Summary and Revision History](#) , on page 143
- [Feature Description](#), on page 144
- [License Requirements](#), on page 146
- [How it Works](#), on page 146
- [Configuring N26 Interface for MME](#), on page 163
- [Monitoring and Troubleshooting](#), on page 167

## Feature Summary and Revision History

### Summary Data

Applicable Product(s) or Functional Area	MME
Applicable Platform(s)	<ul style="list-style-type: none"><li>• ASR 5500</li><li>• VPC-DI</li><li>• VPC-SI</li></ul>
Feature Default	Enabled-Always-On
Related Changes in This Release	Not Applicable
Related Documentation	<ul style="list-style-type: none"><li>• <i>Command Line Interface Reference</i></li><li>• <i>MME Administration Guide</i></li></ul>

### Revision History

Revision Details	Release
CLI configuration support is added for enabling the reject EPS to 5Gs procedure without n1 mode support.	2024.02.0

Revision Details	Release
Support is introduced for dynamic selection mechanism to select SGW-C+SMF through s11 interface.	21.28.m7
Support is introduced for dynamic selection mechanism to select PGW-C+SMF and peer-AMF.	21.25
The N26 interface for interworking with 5GS functionality is fully qualified in this release.	21.20.3
MME supports N26 interface between AMF in 5GC and MME in Evolved Packet Core (EPC) to provide seamless session continuity for single registration mode UE. <b>Important</b> This feature is not fully qualified in this release, and is available only for testing purposes. For more information, contact your Cisco Account Representative.	21.20
First introduced. This release supports N26 Interface for interworking with 5GS functionality. <b>Important</b> This feature is not fully qualified in this release, and is available only for testing purposes. For more information, contact your Cisco Account Representative.	21.19

## Feature Description

MME supports 5GS interworking with N26 interface in compliance with 3GPP 5GS standards. Interworking procedures using the N26 interface, enables the exchange of Mobility Management (MM) and Session Management (SM) states between the source and target network.

5GS interworking with the N26 interface, the User Equipment (UE) operates in the single registration mode. MME supports the N26 interface between Access and Mobility Management Function (AMF) in 5GC and MME in EPC to provide seamless session continuity (for example, for voice services) for single registration mode UE. For the 3GPP access, the network keeps only one valid MM state for the UE either in the AMF or MME.

MME uses either the static or dynamic mechanism to select PGW-C+SMF and peer-AMF.

MME supports selection of combined SGW-C/SMF on the base of DNS S-NAPTR queries using the **3gpp-x-3gpp-sgw:x-s11** service parameter for UEs supporting N1 mode and optionally matching an UE Usage type.

MME supports the following interworking procedures with the N26 interface:

- Attach
- EPS to 5GS Mobility Registration
- 5GS to EPS Idle Mode Mobility
- 5GS to EPS Handover
- EPS to 5GS Handover

- 5GS to EPS Handover Cancel
- EPS to 5GS Handover Cancel

### Supported IEs and AVPs

MME supports the following IEs for the 5GS interworking feature:

#### S1AP (eNodeB) Interface:

- **GUMMEI Type**—The S1-AP interface supports **mappedFrom5G** in the Globally Unique Mobility Management Entity Identifier (GUMMEI) type IE. If the UE was previously registered in 5GS, the UE provides a GUMMEI in Access Stratum signaling mapped from the 5G-GUTI and is indicated as **Mapped from 5G-GUTI**.
- **Handover Type**—This indicates the type of handover that was triggered in the source side. The Handover type IE currently supports **EPSto5GS** and **5GStoEPS** type.
- **Handover Restriction List**—This supports **Core Network Type Restrictions**, **NR Restriction in 5GS** and **Last NG-RAN PLMN Identity**.




---

**Note** MME currently includes only one serving PLMN in Core Network Restrictions Type IE.

---

- **Target ID**—This supports **Global RAN Node ID** and **Selected TAI(5GS TAI)**.




---

**Note** Global ng-eNB under Global RAN Node ID is currently not supported.

---

#### NAS (UE) Interface

- **UE Network Capability (N1-mode)**—MME supports N1-mode handling in the UE Network Capability IE. For UE that supports N1 mode, the UE sets the N1 mode bit to **N1 mode supported** in the UE network capability IE of the ATTACH REQUEST/TRACKING AREA UPDATE REQUEST message.
- **UE Status IE**—MME supports UE Status IE in the ATTACH REQUEST/TRACKING AREA UPDATE REQUEST message and provides the network with information related to the current UE registration status that is used for interworking with 5GS.
- **EPS Network Feature Support (IWK N26)**—MME supports an IWK N26 indicator to specify whether interworking without N26 interface is supported or not in ATTACH ACCEPT/TAU ACCEPT message.

#### S6a (HSS) Interface

- **Interworking-5GS-Indicator AVP**—MME supports Interworking-5GS-Indicator to indicate whether the interworking between 5GS and EPS is subscribed or not subscribed for the APN.
- **Core-Network-Restrictions AVP**—MME supports Core-Network-Restrictions to indicate the types of Core Network that are disallowed for a user.

- **Access-Restriction-Data AVP** — MME supports bit 10 NR in 5GS Not Allowed to check whether NR is 5GS is Allowed or Not Allowed. The Access-Restriction-Data AVP is of type Unsigned32 type and contains a bit mask where each bit when set to 1 indicates a restriction.

### S11 (SGW) Interface:

- **Indication Flag** — MME supports 5GSIWKI (5GS Interworking Indication) and REPREFI (Return Preferred Indication) flags.

### DNS Mechanism to Select SGW-C+SMF

MME supports the SGW-C+SMF selection for Nonemergency PDN connection based on the following conditions:

- UE N1 Mode capability (UE Network Capability)
- (Optional) Matching a UE Usage type

S-NAPTR query is performed to identify the SGW-C+SMF based on the below S-NAPTR procedure with service parameters:

- MME considers the **n1-mode 5gs-interworking-with-n26 sgw-selection s11** CLI when forming the service parameter in the SGW-C+SMF DNS S-NAPTR requests.

If the UE is in N1 mode and CLI is configured with S11 and no UE usage type is specified, then, MME sends the DNS S-NAPTR query using the **x-3gpp-sgw:x-s11** service parameter to select the SGW-C+SMF.

- If UE is in N1 mode and CLI is configured with S11 and UUT, MME matches the UE's UUT with CLI UUTs. Then MME, sends DNS S-NAPTR query using the **x-3gpp-sgw:x-s11** service parameter. Else, sends the DNS S-NAPTR query using the **x-3gpp-sgw:x-s11** service parameter to select the S-GW.

```
Example: n1-mode 5gs-interworking-with-n26 sgw-selection s11 ue-usage-type 128 129 130
131 132 133 134 135
```

The S-NAPTR procedure logically displays a list of host names each with a service, protocol, port, and a list of IPv4 and IPv6 addresses. From the candidate list, MME selects the best node based on the Topology, Collocation, Order, or Weight.

## License Requirements

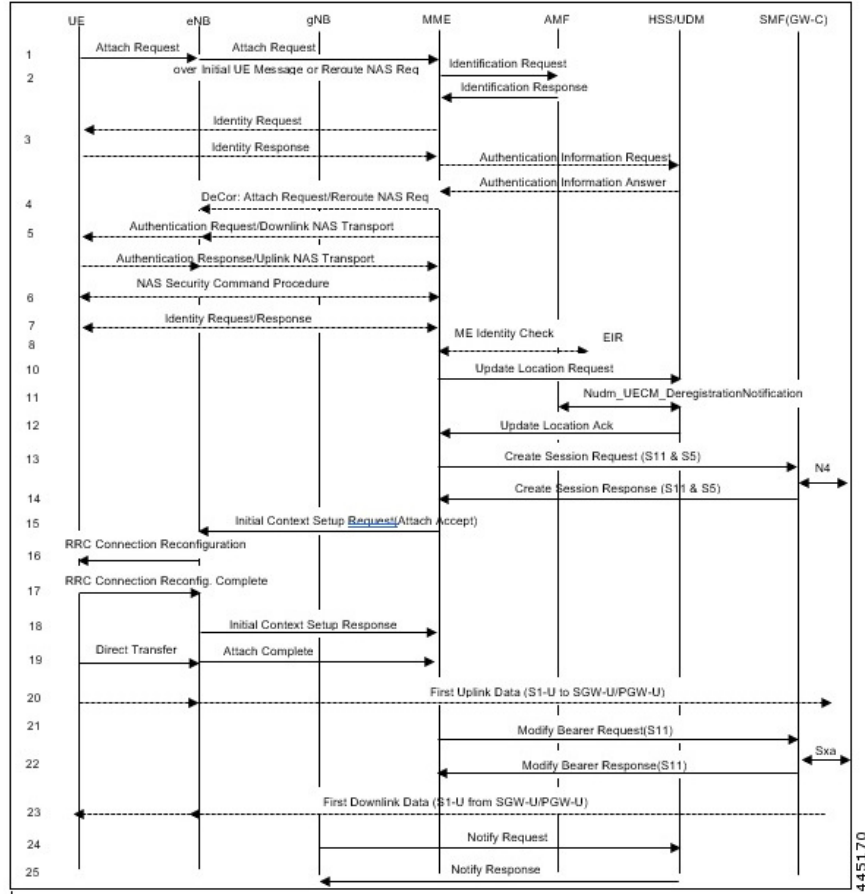
MME 5G Interworking and N26 Interface are a licensed Cisco feature that require a separate license. Contact your Cisco account representative for detailed information on specific licensing requirements. For information on installing and verifying licenses, refer to the *Managing License Keys* section of *Software Management Operations*.

## How it Works

This section describes the call flow procedures that are related to 5GS interworking with the N26 interface.

The following call flow describes the working of 5Gs to an EPS attach procedure.

Figure 10: E-UTRAN Initial Attach Call Flow



**E-UTRAN Initial Attach Procedure**

The following table describes the 5GS to EPS attach procedure.

Table 9: E-UTRAN Initial Attach Procedure

Step	Description
1	Attach Request is carried over Initial UE Message with the following conditions: <ul style="list-style-type: none"> <li>• UE includes N1-mode capability in the <b>UE Network Capability IE</b>.</li> <li>• UE includes GUMMEI in the S1-AP message and indicates that GUMMEI is Mapped from 5G-GUTI.</li> <li>• UE includes a GUTI, mapped from 5G-GUTI into the EPS mobile identity IE, includes old GUTI type IE with GUTI type set to <b>native GUTI</b> and includes the UE status IE with a 5GMM registration status set to <b>UE is in 5GMM-DEREGISTERED state</b>.</li> </ul>

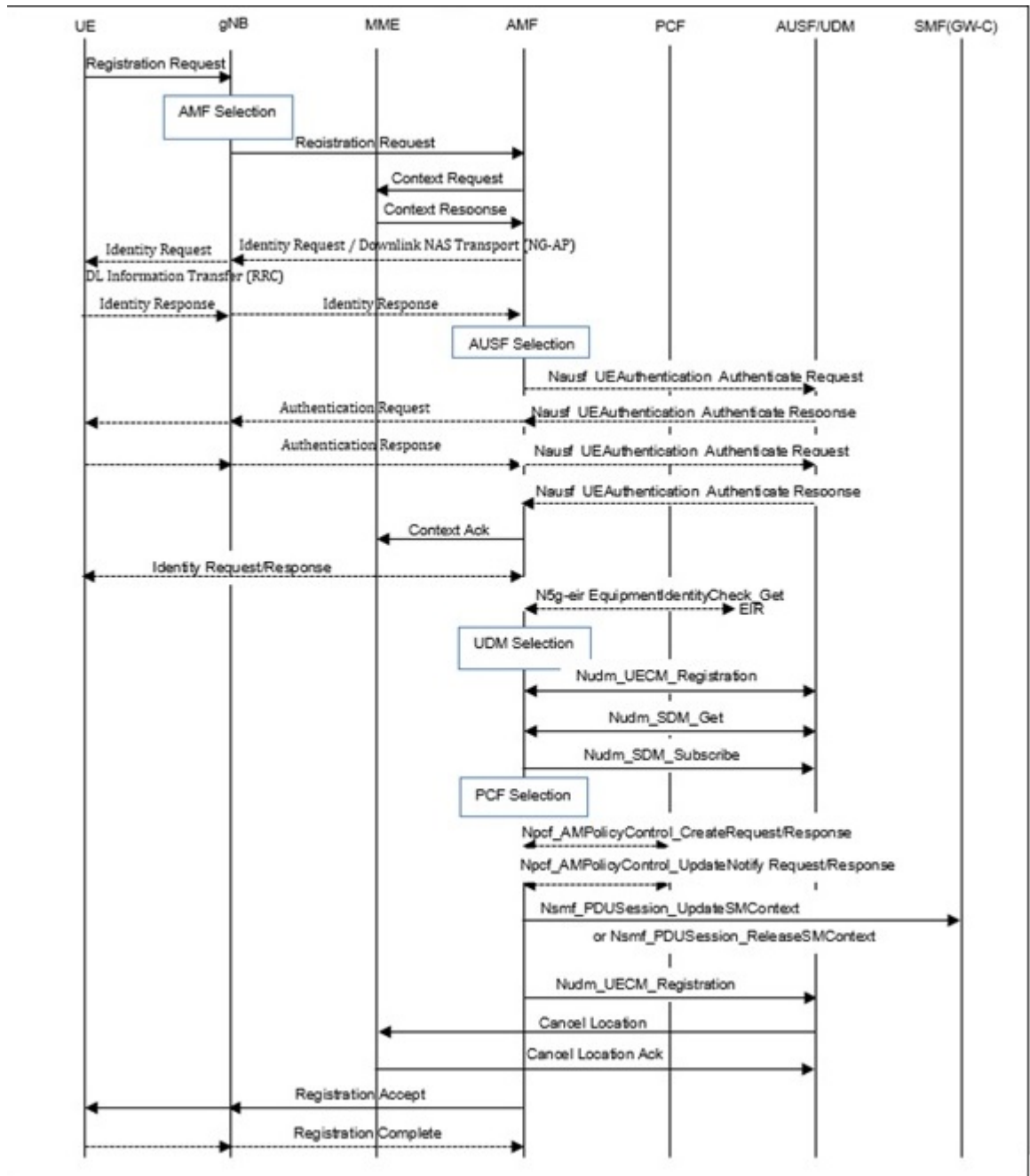
Step	Description
2	<p>MME constructs the 5G-GUTI from the received GUTI IE according to the mapping relationship between GUTI and 5G-GUTI defined in 3GPP TS 23.003. MME uses the constructed 5G GUTI to determine the peer AMF address based on DNS or local Static AMF GUAMI configuration. If MME is unable to find the peer AMF address, the new MME sends an Identity Request to the UE to request the IMSI. The UE responds with Identity Response (IMSI).</p> <p>During the 5GS to EPS Attach procedure using 5G-mapped GUTI:</p> <ul style="list-style-type: none"> <li>• DNS selection happens for identifying peer AMF and for the selection of PGW-C+SMF and SGW-C/SMF.</li> <li>• When there is an Initial Attach using IMSI, MME only performs the DNS procedure to select the PGW-C+SMF &amp; SGW-C/SMF (as described in DNS mechanism to select SGW-C+SMF).</li> <li>• In case of DNS selection failure or not Set for any, the MME would fall back to the static selection as per local configuration.</li> </ul>
3	MME sends an Identification Request message to the selected peer AMF.
4	<p>The Access and Mobility Management Function (AMF) responds with Identification Response message</p> <p><b>Note</b> MME sends Identification Request to the peer AMF irrespective of the "n1-mode" configuration in CC profile (or) MME Service and the feature support check is performed after receiving "Identification Response" message from peer AMF. If the feature support is disabled (or) the UE is unknown in the old AMF, MME initiates the Identity procedure with UE.</p>
5	MME sends Update Location Request to HSS and will not set the Dual-registration 5G-indication in ULR-Flag.
6	<p>MME processes and handles the below AVP in the ULA from HSS. MME uses the received information for Mobility restrictions and PGW-C+SMF gateway selection:</p> <ul style="list-style-type: none"> <li>• Interworking-5GS-Indicator</li> <li>• Core-Network-Restriction</li> <li>• Access-Restriction-Data (NR in 5GS Not Allowed) AVP</li> </ul>
7	<p>MME selects PGW-C+SMF based on UE Network capability and mobility restrictions based on the following mechanisms:</p> <ul style="list-style-type: none"> <li>• Static configuration</li> <li>• Dynamic DNS configuration</li> </ul>
8	MME sets the <b>5GS Interworking Indication</b> in Indication flags in the Create Session Request and sends to the selected P-GW-C+SMF gateway. MME does not set the Indication bit if Standalone P-GW-C is selected.

Step	Description
9	If the MME receives ePCO from the UE during the Initial Attach or UE requested PDN Connectivity procedures, the MME forwards the ePCO IE to the SGW, if the MME supports ePCO. The SGW shall also forward it to the PGW if the SGW supports ePCO.
10	If UE supports N1 mode in UE network capability, and the Interworking-5GS-Indicator is set to be subscribed, MME sets IWKN26 bit to <b>Interworking without N26 interface not supported</b> in the Attach Accept message.

### EPS to 5GS Mobility Registration Call Flow

The following call flow describes the registration procedure from EPS to 5GS Mobility when, N26 interface is supported for idle and connected states.

Figure 11: EPS to 5GS Mobility Registration Call Flow



449022

The following table describes the procedure to register from EPS to 5GS.



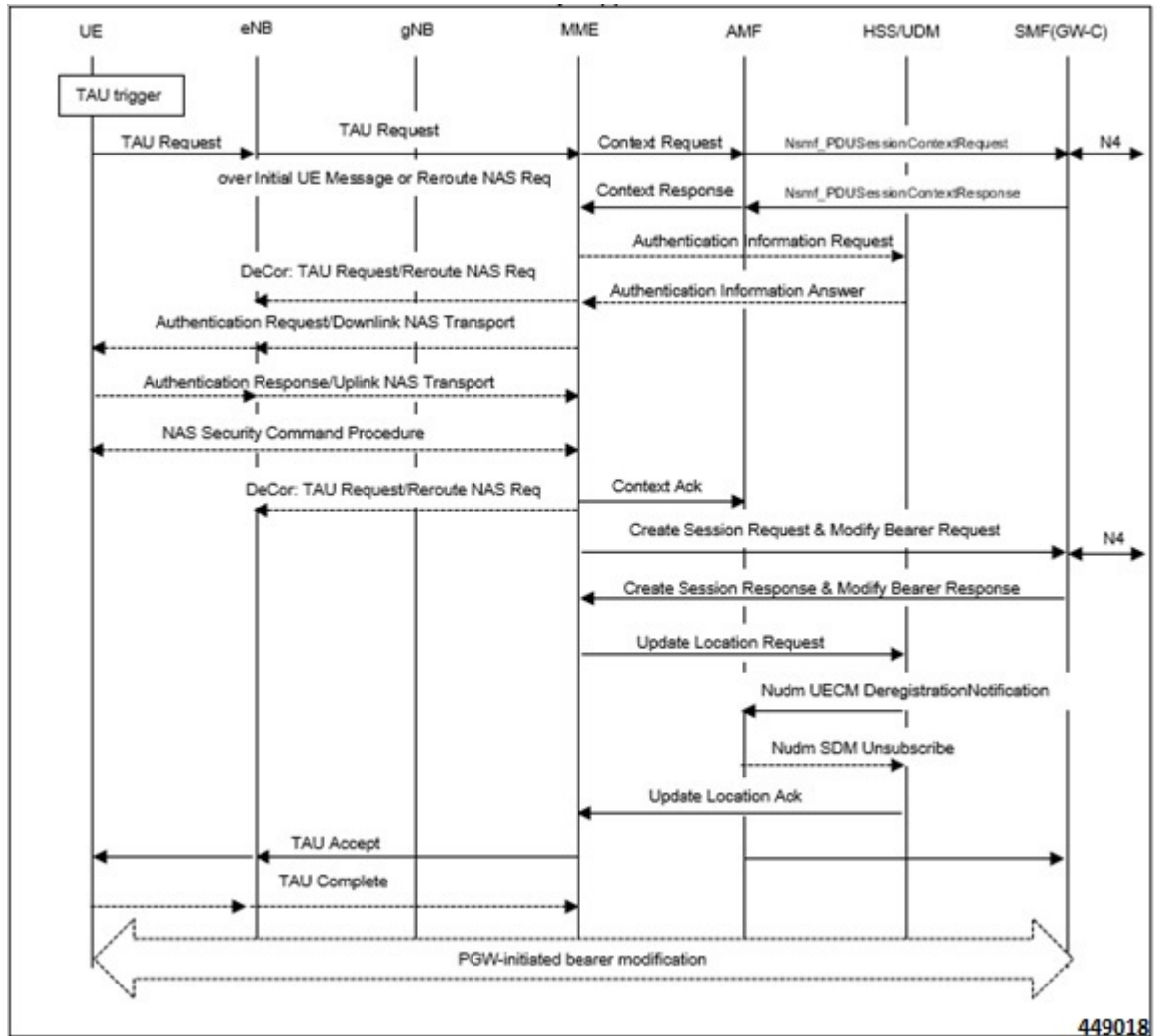
Table 10: EPS to 5GS Mobility Registration Procedure

Step	Description
1	<p>For IDLE mode mobility, the target AMF derives the MME address and 4G GUTI from the old 5G-GUTI and sends Context Request to MME including EPS GUTI mapped from 5G-GUTI and the TAU request message according to TS 23.401. The MME validates the TAU message.</p> <p><b>Note</b></p> <ul style="list-style-type: none"> <li>• MME supports FTEID Interface types <b>S10/N26 MME GTP-C interface (12)</b> and <b>N26 AMF GTP-C interface (40)</b> received in the <b>Context Request</b> message from peer AMF.</li> <li>• MME would use the RAT type NR in the <b>Context Request</b> message to determine if the peer is AMF.</li> </ul>
2	<p>MME includes EPS MM Context, IMSI, ME Identity, UE EPS security context, UE Network Capability, and EPS Bearer context(s) in the Context Response message and sends to the peer AMF. The MME EPS Bearer context includes for each EPS PDN connection the IP address and FQDN for the S5/S8 interface of the PGW-C+SMF and APN.</p> <p>MME also includes in the Context Response new information Return Preferred. Return Preferred is an indication by the MME of a preferred return of the UE to the last used EPS PLMN at a later access change to an EPS shared network. Based on the Return Preferred indication, the AMF stores the last used EPS PLMN ID in UE Context.</p> <p>MME sends Context Response failure if feature support is disabled, Unknown RAT type other than NR is received (or) mobility is restricted.</p>
3	The target AMF sends Context Acknowledge (Serving GW change indication) to MME.
4	<p>HSS+UDM cancels the location of the UE in the MME.</p> <p>During EPS to 5GS Mobility registration (TAU), when you configure the <b>release-s1-s11-on-timer-expiry-upon-clr</b> CLI, and when MME receives CLR with MME UPDATE PROCEDURE, then MME waits for the <b>ho-resource-release-timeout</b> to expire and releases S1 and S11 resources. If it is not configured, and when MME receives CLR with MME UPDATE PROCEDURE, then MME instantly releases S1 and S11 resources.</p>

### 5GS to EPS Idle Mode Mobility Call Flow

The following call flow describes the idle and connected states.

Figure 12: 5GS to EPS Idle Mode Mobility Call Flow



UE performs the Tracking Area Update (TAU) procedure in E-UTRA/EPS when it moves from NG-RAN/5GS to E-UTRAN/EPS coverage area.

During 5GS to EPS Idle Mobility using 5G-Mapped GUTI, DNS selection happens to select SGW-C+SMF nodes as described in the DNS mechanism to select SGW-C+SMF.

The procedure involves a Tracking Area Update to EPC and setup of default EPS bearer and dedicated bearers in EPC and reactivation, if necessary.

Table 11: 5GS to EPS Idle Mode Mobility Procedure

Step	Description
1	<p>Tracking Area Update Request is carried over Initial UE Message with the following conditions:</p> <ul style="list-style-type: none"> <li>• UE includes N1-mode capability in the <b>UE Network Capability</b> IE.</li> <li>• UE includes GUMMEI in the S1-AP message and indicates that GUMMEI is Mapped from 5G-GUTI.</li> <li>• UE includes a GUTI, mapped from 5G-GUTI into the EPS mobile identity IE, includes old GUTI type IE with GUTI type set to <b>native GUTI</b> and includes the UE status IE with 5GMM registration status set to <b>UE is in 5GMM-REGISTERED</b> state.</li> </ul>
2	<p>MME constructs the 5G-GUTI from the received GUTI IE according to the mapping relationship between GUTI and 5G-GUTI defined in 3GPP TS 23.003. MME uses the constructed 5G GUTI to determine the peer AMF address based on DNS or local Static AMF GUAMI configuration. If the MME is unable to find the peer AMF address, the new MME rejects the TAU Request.</p>
3	<p>MME sends a Context Request message to the selected peer AMF.</p>
4	<p>The AMF responds with a Context Response message carrying mapped MM context (including mapped security context), UUT, Return preferred and SM EPS UE Context (default and dedicated GBR bearers) to the MME. If the verification of the integrity protection fails, the AMF returns an appropriate error cause. Return preferred is an optional indication by the AMF of a preferred return of the UE to the 5GS PLMN at a later access change to a 5GS shared network.</p> <p>The PDN GW Address and TEID(s) is part of the EPS Bearer Context for PDN connection in Context Response. However, SGW S11 IP address and TEID for Control Plane is not provided by AMF.</p> <p><b>Note</b></p> <ul style="list-style-type: none"> <li>• MME supports <b>S10/N26 MME GTP-C</b> and <b>N26 AMF GTP-C</b> FTEID Interface types from peer AMF.</li> <li>• MME sends Context Request to the peer AMF irrespective of the <b>n1 mode</b> configuration in CC profile (or) MME Service and the feature support check is performed after receiving <b>Context Response</b> message from peer AMF. If the feature support is disabled, MME rejects the TAU Request and sends the Context Acknowledgment failure.</li> </ul>
5	<p>MME selects new SGW-C and sends Create Session Request toward the SGW. MME sets the <b>5GS Interworking Indication</b> in Indication Flags in the Create Session Request message.</p>
6	<p>MME sends Update Location Request to HSS and will not set the Dual-registration 5G-indication in ULR-Flag.</p>

Step	Description
7	<p>MME processes and handles the following AVPs in the ULA from HSS.</p> <ul style="list-style-type: none"> <li>• Interworking-5GS-Indicator</li> <li>• Core-Network-Restriction</li> <li>• Access-Restriction-Data (NR in 5GS Not Allowed) AVP.</li> </ul> <p>MME uses the received information for Mobility restrictions and PGW-C+SMF gateway selection.</p>
8	<p>If UE supports <b>n1 mode</b> in UE network capability, and the Interworking-5GS-Indicator is set to be subscribed, MME sets the IWKN26 bit to “Interworking without N26 interface not supported” in TAU Accept.</p>

**Use Cases:****5GS to EPS Idle Mode Mobility procedure with N1-Mode=Not supported:**

In step 1 of [Table 11: 5GS to EPS Idle Mode Mobility Procedure](#), UE can disable n1 mode in TAU request to avoid unintentional handover to 5GC. Few scenarios in which UE can disable n1 mode are:

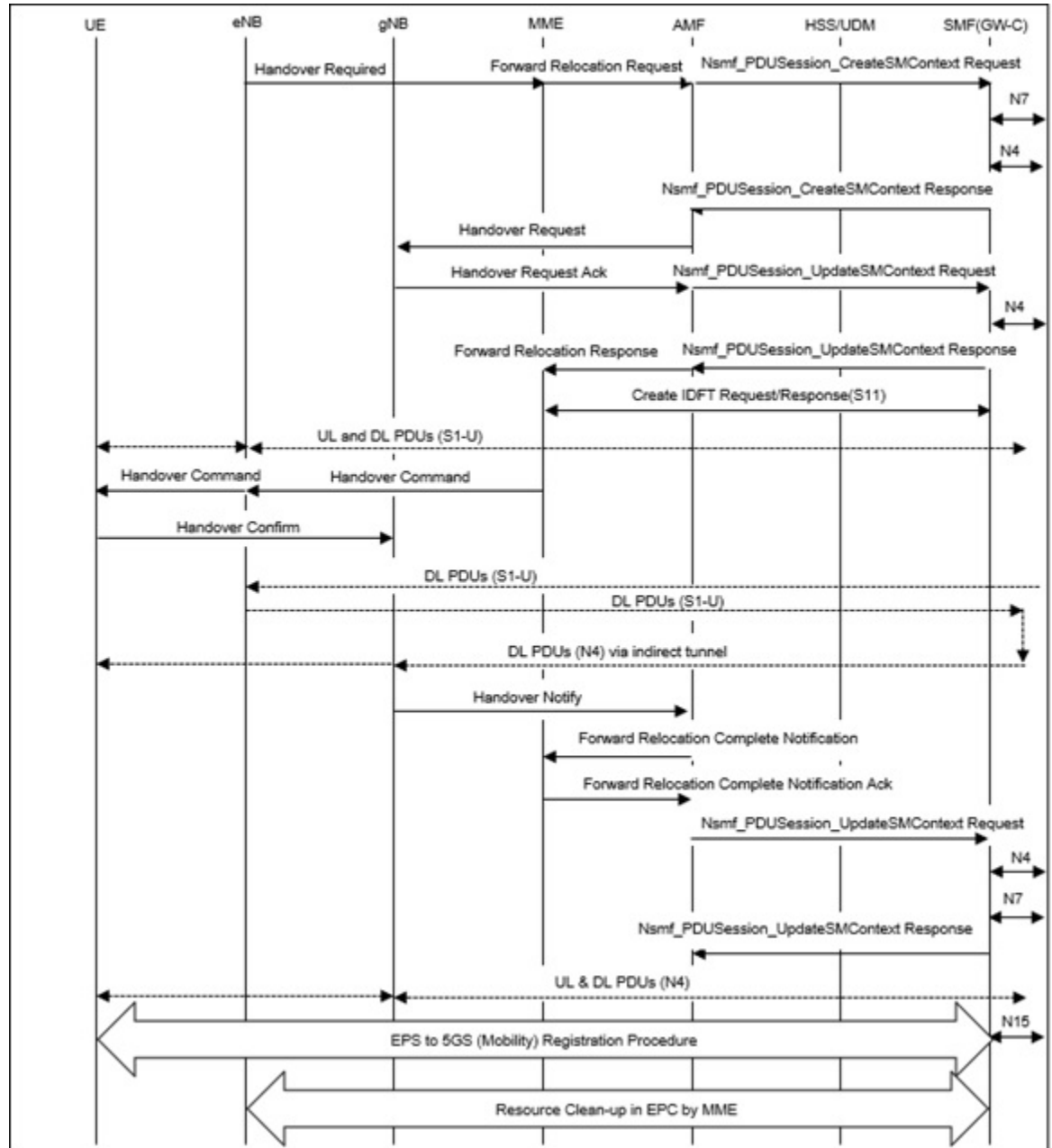
- Emergency service fallback to setup call through EPS
- Nonavailability of IMS voice over 3GPP access
- UE ‘s usage setting is voice-centric

MME considers AMF as a peer if the N1-Mode-Reg bit is set to **5GMM-REGISTERED** in **UE Status IE** and supports TAU with **N1-Mode=Not Supported**.

**EPS to 5GS Handover Call Flow**

The following call flow describes the EPS to 5GS handover using N26 interface.

Figure 13: EPS to 5GS Handover Call Flow



The following table describes the handover procedure from EPS to 5GS using the N26 interface. 5GS Mobility Registration Procedure is performed, and steps from Context Request to Context Acknowledgment are skipped during the handover to 5GS.

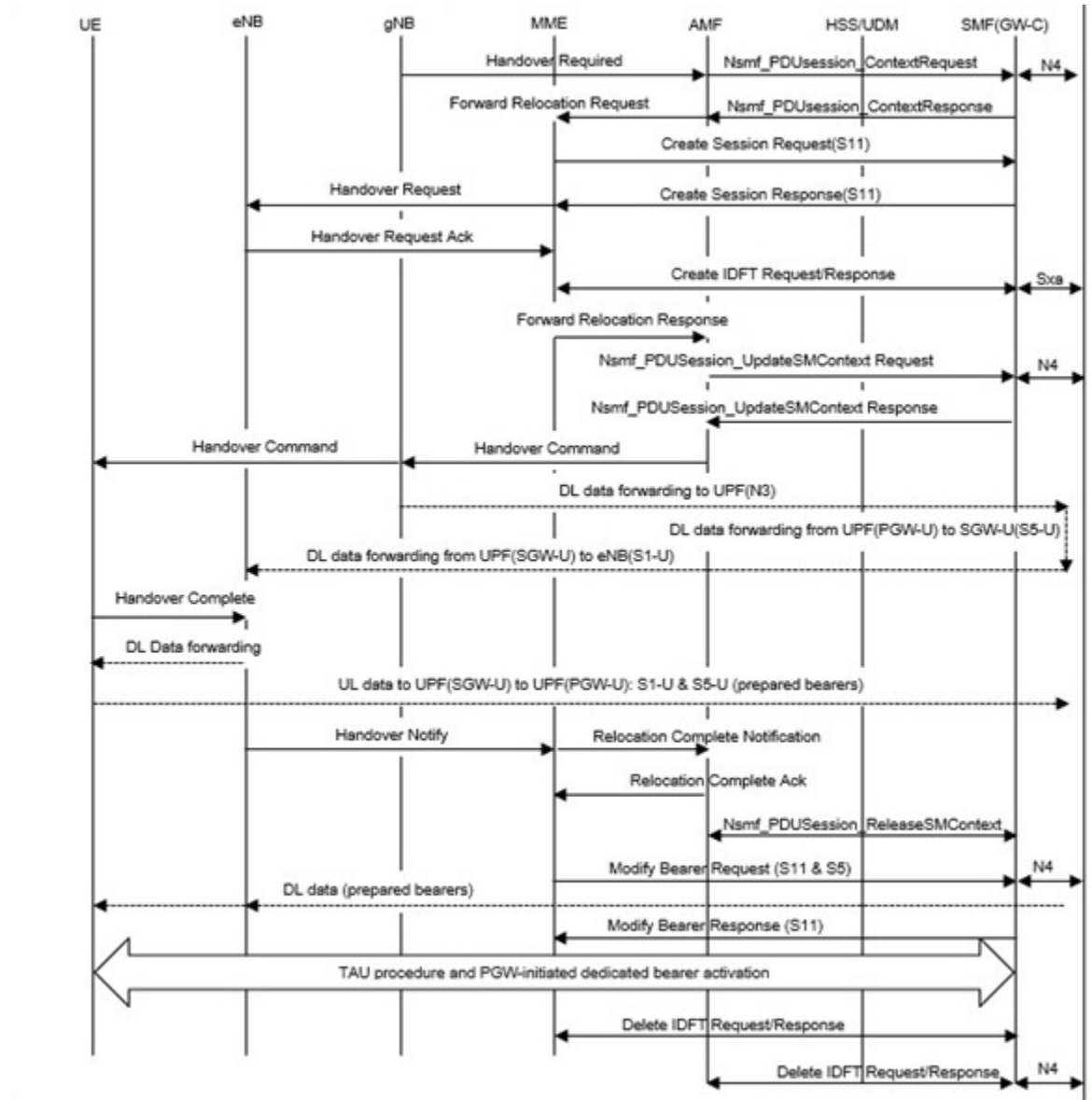
Table 12: EPS to 5GS Handover Procedure

Step	Description
1	MME receives Handover Required from eNB with the Handover type set <b>EPSto5GS</b> , Target ID with Global gNB ID and selected 5GS TAI information. <b>Note</b> Global ng-eNB is currently not supported.
2	MME uses the 5GS TAI information to determine the peer AMF address based on DNS or local Static AMF TAI configuration. If MME is unable to find the peer AMF address or the feature is disabled, MME sends Handover preparation failure to eNB.
3	MME sends Forward Relocation Request message to the selected peer AMF with the following information: <ul style="list-style-type: none"> <li>• MME includes EPS MM Context, IMSI, ME Identity, UE security context, UE Network Capability, and EPS Bearer context(s) in the Forward Relocation Request message. The MME EPS Bearer context(s) includes for each EPS PDN connection the IP address and FQDN for the S5/S8 interface of the PGW-C+SMF and APN, and for each EPS bearer the IP address and CN Tunnel Info at the UPF+PGW-U for uplink traffic.</li> <li>• MME includes an additional optional parameter Return preferred; Return that is preferred is an optional indication that is provided by the MME to indicate a preferred return of the UE to the last used EPS PLMN at a later access change to an EPS shared network. Based on the Return Preferred indication, the AMF stores the last used EPS PLMN ID in the UE Context.</li> </ul>
4	MME receives Forward Relocation Response (Cause, Target to Source Transparent Container, S-GW change indication, CN Tunnel Info for data forwarding, EPS Bearer Setup List, AMF Tunnel Endpoint Identifier for Control Plane, Addresses and TEIDs) from AMF. The EPS Bearer Setup list is the combination of EPS Bearer Setup list from different P-GW-C+SMF(s). <b>Note</b> MME supports <b>S10/N26 MME GTP-C</b> and <b>N26 AMF GTP-C FTEID</b> Interface types from peer AMF.
5	The source MME sends Create Indirect Data Forwarding Tunnel Request (addresses and TEIDs for forwarding) to the S-GW. If the S-GW is relocated, it includes the tunnel identifier to the target S-GW. The S-GW responds with a Create Indirect Data Forwarding Tunnel Response (S-GW addresses and TEIDs for forwarding) message to the source MME.
6	The source MME sends a Handover Command (Target to Source transparent container, Bearers subject to forwarding, Bearers to Release) message to the source eNodeB. The Bearers subject to forwarding includes a list of addresses and TEIDs allocated for forwarding. The Bearers to Release include the list of bearers to be released.
7	The NG-RAN notifies the AMF that UE is handover over to NG-RAN and AMF sends Forward Relocation Complete Notification message to the source MME. The source MME in response sends a Forward Relocation Complete Acknowledge message to the target AMF.

### 5GS to EPS Handover Call Flow

The following call flow describes the 5GS to EPS handover using N26 interface.

Figure 14: 5GS to EPS Handover Call Flow



449020

The following table describes the handover procedure from 5GS to EPS using N26 interface.

Table 13: 5GS to EPS Handover Procedure

Step	Description
1	<p>MME receives Forward Relocation Request message from AMF. AMF shall include <b>Return preferred Indication</b> to indicate preferred return of the UE to the 5GS PLMN at a later access change to a 5GS shared network. AMF includes reserved S-GW address and TEID for both the control plane or EPS bearers in the message.</p> <p><b>Note</b></p> <ul style="list-style-type: none"> <li>• MME supports FTEID Interface types <b>S10/N26 MME GTP-C interface (12)</b> and <b>N26 AMF GTP-C interface (40)</b> received in the <b>Context Request</b> message from peer AMF.</li> <li>• MME would use the SGW-C FTEID reserved <b>TEID</b> values in the Forward Relocation Request message to determine if the peer is AMF.</li> <li>• If the feature support is disabled, the MME sends Forward Relocation Response failure to peer AMF with cause <b>Service not supported</b> .</li> </ul>
2	MME selects a new S-GW-C and would send Create Session Request to S-GW and receives Create Session Response from S-GW.
3	<p>MME sends Handover Request message towards eNB with Handover type “5GStoEPS” and includes the Handover Restriction list for eNodeB functions.</p> <p>During 5GS to EPS connected mode handover the DNS selection happens to select SGW-C+SMF nodes as described in the DNS mechanism to select SGW-C+SMF.</p>
4	The target eNodeB sends a Handover Request Acknowledge (EPS Bearer Setup list, EPS Bearers failed to set up list Target to Source transparent container) message to the target MME. The EPS Bearer Setup list includes a list of addresses and TEIDs allocated at the target eNodeB for downlink traffic on S1-U reference point (one TEID per bearer) and addresses and TEIDs for receiving forwarded data if necessary.
5	IDFT enabled MME initiates create IDFT Request message to SMF/GW-C and receives create IDFT response messages from SMF/GW-C.
6	<p>The target MME sends a Forward Relocation Response (Cause, Target to Source transparent container, Serving GW change indication, EPS Bearer Setup List, Addresses, and TEIDs) message to the source MME.</p> <p><b>Note</b> For indirect forwarding, this message includes S-GW Address and TEIDs for indirect forwarding (source or target). S-GW change indication indicates that a new S-GW has been selected.</p>
7	The target eNodeB sends a Handover Notify (TAI+ECGI, Local Home Network ID) message to the target MME.
8	The target MME sends a Relocation Complete Notification message to the source AMF. The AMF acknowledges MME with Relocation Complete Acknowledgment message.
9	MME sends Modify bearer request to S-GW and receives Modify bearer response from S-GW.
10	UE initiates the Connected mode Tracking Area Update procedure toward MME.

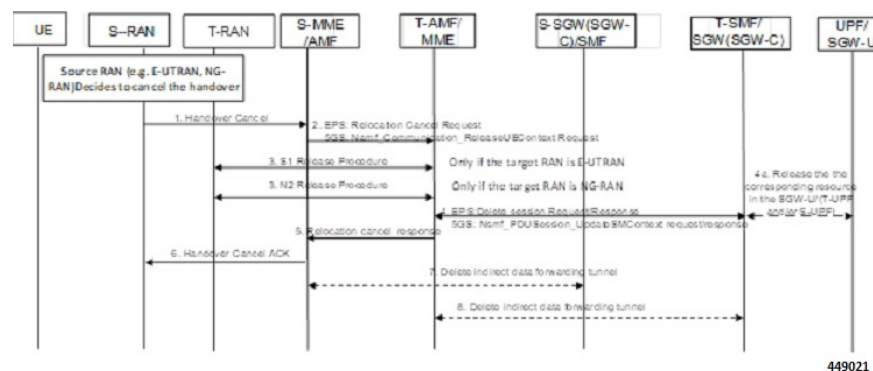


Step	Description
11	If PCC is deployed, the PCF provides the previously removed PCC rules to the P-GW-C+SMF, which triggers the P-GW-C+SMF to initiate dedicated bearer activation procedure and the dedicated Bearer gets activated at MME.

## Handover Cancellation Procedure

This section describes Handover cancellation call flow and procedures from EPS to 5GS and from 5GS to EPS.

Figure 15: EPS to 5GS Handover Cancel Call Flow



### EPS to 5GS Handover Cancel Procedure

1. The source eNB decides to cancel the previously requested relocation of Handover resources. This may be due to not enough accepted bearers, UE returned to source cell or any other reason.
2. MME terminates the relocation towards the AMF by sending a Relocation Cancel Request message to AMF. MME also resumes operation on the resources in the source side.
3. The AMF acknowledges the release of all resources on the target side by returning a Relocation Cancel Response (Cause) message to the source MME.
4. If indirect forwarding tunnel is setup during handover preparation, then cancellation of handover triggers the MME to send a Delete Indirect Data Forwarding Tunnel Request message to the S-GW to release the temporary resources used for indirect forwarding.

### 5GS to EPS Handover Cancel Procedure

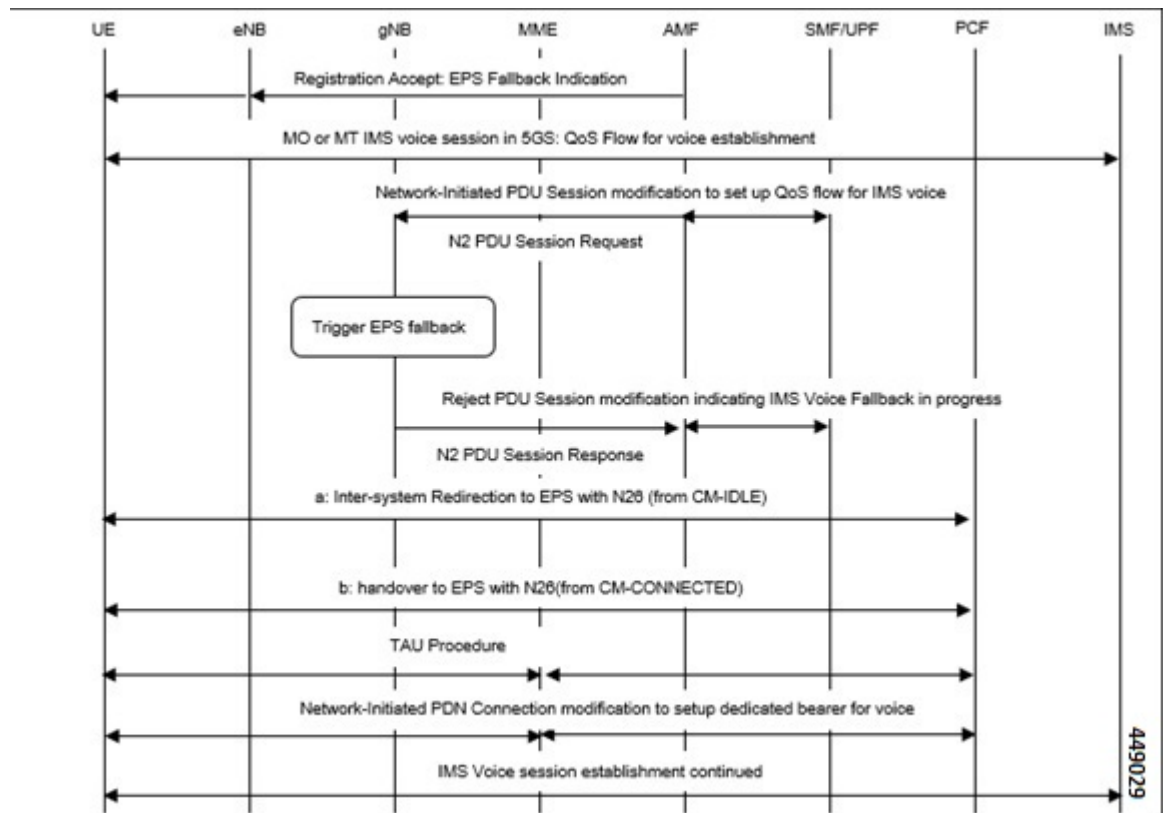
1. MME receives **Relocation Cancel Request** from AMF.
2. MME triggers release of resources towards target RAN node. The target RAN node releases the RAN resource allocated for the handover.
3. MME sends the **Delete session request** (IMSI, Relocation Cancel Indication) to the S-GW/S-GW-C. Based on the Relocation Cancel Indication, MME deletes the session resources established during handover preparation phase in S-GW (S-GW-C and S-GW-U).
4. MME sends **Relocation Cancel Response** towards the AMF.

5. AMF responds with handover cancel ACK towards the source RAN.
6. If indirect forwarding tunnel is setup during handover preparation phase, then cancellation of handover triggers MME to release the temporary resources used for indirect forwarding.

## EPS Fallback for IMS Voice Support

MME supports EPS fallback for IMS voice according to 3GPP 23.502.

Figure 16: EPS Fallback for IMS Voice



## Combined PGW-C and SMF Selection Procedure

MME supports DNS and Static PGW-C/SMF combined Gateway selection. You can configure PGW-C+SMF in MME Service and in APN profile configuration commands for static gateway selection. 5GSIWKI is set when combined PGW-C/SMF node is selected.

The following steps explain the static based combined P-GW-C/SMF selection procedure and how the fallback to the next available option happens if the selection fails:

1. MME chooses Combined PGW-C/SMF node that supports UE usage type and collocation with S-GW.
2. If step 1 fails, MME selects the Combined PGW-C+SMF node that supports UE usage type.
3. If step 2 fails, MME selects the Combined PGW-C+SMF node that supports collocation with S-GW.

4. If step 3 fails, MME selects the Combined PGW-C+SMF node.
5. If step 4 fails, MME selects the gateway based on UE usage type and standalone PGW collocation.
6. If step 5 fails, MME selects the standalone PGW that supports UE usage type.
7. If step 6 fails, MME selects the gateway that supports standalone PGW collocation.
8. If step 7 fails, MME selects any gateway from all configured entries.

The following steps explain the DNS-based combined PGW-C+SMF selection procedure and how fallback occurs to the next available option if the selection fails:

1. MME selects a gateway matching the UE Usage type, DCNR, and SMF network capability.
2. If step 1 fails, MME selects the gateway matching the DCNR and SMF network capability.
3. If step 2 fails, MME selects the gateway matching the UE usage type and SMF network capability.
4. If step 3 fails, MME selects the gateway matching the SMF network capability.
5. If step 4 fails, MME selects the gateway matching the UE usage type and DCNR network capability.
6. If step 5 fails, MME selects the gateway matching the DCNR network capability.
7. If step 6 fails, MME selects the gateway matching the UE usage type.
8. If step 7 fails, MME selects the gateway matching the default service parameter.
9. If step 8 fails, MME selects the gateway based on local static configuration.




---

**Note** The above steps are only for reference purpose based on probable combination where UE/MME supports UUT, DCNR and SMF capability. The selection order varies/depends based on the DNS response, UE capability and MME configuration.

---

## EPS to 5Gs Mobility Procedure without n1 Mode Support

### Feature Description

The MME accepts context requests from AMF regardless of the n1-mode support that UE indicates to EPS. This feature is enabled by default.

To reject context requests when the UE indicates that it does not support n1-mode, you can disable this feature by enabling the **reject-EPS-to-5GS-without-n1-mode** configuration.

### Disabling EPS to 5G Mobility without n1 Mode

Use the following configuration to disable EPS to 5GS mobility without n1 mode support.

```
configure
context context_name
  mme service service_name
    [ no ] n1-mode 5gs-interworking-with-n26 [ sgw-selection |
```

```
reject-EPS-to-5GS-without-n1-mode ]
end
```

**NOTES:**

- **mme-service** *service\_name*: Configures MME Service. *mme\_service* and must be a string of 1–63 characters.
- **n1-mode**: Configures interworking with 5Gs for UEs supporting N1 mode.
- **5gs-interworking-with-n26**: Enables 5GS-EPS interworking with N26 interface.
- **no**: Enables EPS to 5GS mobility without n1 mode support.
- **reject-EPS-to-5GS-without-n1-mode**: If this CLI is configured, MME enables rejection EPS to 5GS context request from AMF when the UE indicates N1 Mode is not supported.

## Disabling EPS to 5Gs Mobility in Call Control Profile

Use the following configuration to disable EPS to 5GS mobility without n1 mode support in the Call Control Profile.

```
configure
  call-control-profile profile_name
    [ no | remove ] n1-mode 5gs-interworking-with-n26 sgw-selection
  ue-usage-type | reject-EPS-to-5GS-without-n1-mode
end
```

**NOTES:**

- **call-control-profile** *profile\_name*: Creates an instance of a call control profile. *profile\_name* specifies the name of a call control profile entered as an alphanumeric string of 1-64 characters.
- **n1-mode** : Configures interworking with 5GS for UEs supporting N1 mode.
- **5gs-interworking-with-n26** : Enables 5GS-EPS interworking with N26 interface.
- **no** : Disables the configuration..
- **remove**: Removes the configuration from the Call Control Profile and the MME service configuration applies.
- **reject-EPS-to-5GS-without-n1-mode**: If this CLI is configured, MME enables rejection of EPS to 5GS context request from AMF when the UE indicates N1 Mode is not supported.

## Limitations

This section describes the known limitations for the N26 interface functionality:

- Configuration Transfer Tunnel message is not supported.
- Feature-specific optional IEs are not supported. For example, Extended Trace Information IE.
- Default EGTP service is used for GTPv2 messages on N26 interface.
- A maximum of 32 peer-AMF entries can be configured for GUAMI or TAI configuration.
- NBIoT and CIOT optimization is not supported.

- PGW-C+SMF selection for Emergency Attach or Emergency PDN is not supported.

## Supported Standards

The N26 feature support is compliant with the following standards:

- 3GPP 23.401 version 15.10.0 - General Packet Radio Service (GPRS) enhancements for Evolved Universal Terrestrial Radio Access Network (E-UTRAN) access
- 3GPP 23.501 version 15.8.0 - System architecture for the 5G System (5GS)
- 3GPP 23.502 version 15.8.0 - Procedures for the 5G System (5GS)
- 3GPP 33.501 version 15.7.0 - Security architecture and procedures for 5G System
- 3GPP 24.301 version 15.8.0 - Non-Access-Stratum (NAS) protocol for Evolved Packet System (EPS)
- 3GPP 36.413 version 15.8.0 - S1 Application Protocol (S1AP)
- 3GPP 29.272 version 15.10.0 - Mobility Management Entity (MME) and Serving GPRS Support Node (SGSN) related interfaces based on Diameter protocol
- 3GPP 29.274 version 15.9.0 - Tunnelling Protocol for Control plane (GTPv2-C)
- 3GPP 23.003 version 15.8.0 - Numbering, addressing and identification
- 3GPP 29.303 version 15.5.0 - Domain Name System Procedures

## Configuring N26 Interface for MME

This section describes the configuration of 5GS Interworking support using N26 interface on MME.

## Configuring 5GS Interworking using N26 Interface in Call Control Profile

Use the following configuration to enable 5GS Interworking support using N26 interface.

**configure**

```

call-control-profile profile_name
  n1-mode 5gs-interworking-with-n26 [ sgw-selection { s5-or-s8 | s11
[ ue-usage-type ue-usage-type-val [ ue-usage-type-val+ ] ] ]
  [ no | remove] n1-mode 5gs-interworking-with-n26 sgw-selections
ue-usage-type
  [ no ] n1-mode 5gs-interworking-with-n26 sgw-selection s11
  [ no ] n1-mode 5gs-interworking-with-n26 sgw-selection s11 [
ue-usage-type ue-usage-type-val [ ue-usage-type-val+ ] ]
end

```

**NOTES:**

- **call-control-profile** *profile\_name*: Creates an instance of a call control profile. *profile\_name* specifies the name of a call control profile entered as an alphanumeric string of 1-64 characters.
- **n1-mode** : Configures interworking with 5GS for UEs supporting N1 mode.

- **5gs-interworking-with-n26** : Enables 5GS-EPS interworking with N26 interface.
- **no** : Disables 5GS-EPS interworking with N26 interface.

For example, the **no n1-mode 5gs-interworking-with-n26sgw-selections ue-usage-type 130** CLI command indicates that if the N1 mode is configured and `sgw-interface` is configured with `s11` and `ue-usage-type` in the Call Control Profile, then Ue-usage 130 gets removed using **no** option.

- **remove**: Removes the configuration from the Call Control Profile and the MME service configuration applies.

## Configuring 5GS Interworking using N26 Interface in MME Service

Use the following configuration to enable 5GS Interworking Support using the N26 interface.

```
configure
  context context_name
    mme service service_name
      [ no ] n1-mode 5gs-interworking-with-n26 [ [ sgw-selection { s5-or-s8
| s11 [ ue-usage-type ue-usage-type-val [ ue-usage-type-val+ ] ] } ]
      [ no ] n1-mode 5gs-interworking-with-n26 [ sgw-selection |
reject-EPS-to-5GS-without-n1-mode ]
      [ no ] n1-mode 5gs-interworking-with-n26 sgw-selection s11 [
ue-usage-type ue-usage-type-val [ue-usage-type-val+ ] ]
    end
```

### NOTES:

- **mme-service** *service\_name*: Configures MME Service. *mme\_service* and must be a string of 1–63 characters.
- **n1-mode**: Configures interworking with 5Gs for UEs supporting N1 mode.
- **5gs-interworking-with-n26**: Enables 5GS-EPS interworking with N26 interface.
- **no**: Disables 5GS-EPS interworking with N26 interface.

For example, the **no n1-mode 5gs-interworking-with-n26 sgw-selections ue-usage-type 130** CLI command indicates that if the N1 mode is configured and the `sgw-interface` is configured with `s11` and `ue-usage-type` in the MME Service, then Ue-usage 130 gets removed using the **no** option.

- **sgw-selection**: Allows dynamic S-GW selection based on either `s11` or `s5-or-s8`. Defaults to `s5-or-s8`. Value under the Call Control Profile takes precedence over value under the MME service.
  - **s5-or-s8**: Dynamic S-GW selection based on the `s5-or-s8` interface.
  - **s11**: Dynamic S-GW selection based on the `s11` interface.
  - **ue-usage-type**: Specifies up to eight UE usage type integer values in the range 128–255.
- **reject-EPS-to-5GS-without-n1-mode**: Rejects EPS-5GS context request from AMF, if UE indicates that N1 Mode is not supported.

## Peer AMF Configuration

### Configure Peer AMF GUAMI

Use the following configuration to statically configure the peer AMF address in MME service.

```
configure
  context context_name
    mme service service_name
      peer-amf guami { mcc mcc_value mnc mnc_value region-id region_id set-id
set_id pointer pointer_value address { ipv4_address | ipv6_address }
[ no ] peer-amf guami { mcc mcc_value mnc mnc_value region-id region_id
set_id set_id pointer pointer_value }
      end
```

#### NOTES:

- **mme-service** *service\_name*: Configures MME Service. *mme\_service* must be an alphanumeric string of 1-63 characters.
- **peer-amf**: Configures a Peer AMF for 5Gs interworking.
- **guami**: Configures Globally Unique AMF Identifier for this Peer.
- **mcc**: Configures the Mobile Country Code for this Peer AMF.
- **mnc**: Configures the Mobile Network Code for this Peer AMF.
- **region-id**: Configures the Region Identifier for this Peer AMF.
- **set-id** : Configures the Set Identifier for this Peer AMF.
- **pointer**: Configures the Pointer value for this Peer AMF.
- **address**: Configures address of Peer AMF. Must be followed by address using dotted-decimal notation. This can also be specified as an IPv6 address.

### Configure Peer AMF TAI

```
configure
  context context_name
    mme service service_name
      peer-amf tai-match priority { val mccmcc_value mnc mnc_value tac area_code
address { ipv4_address | ipv6_address }
[ no ] peer-amf tai-match priority val
      end
```

#### NOTES:

- **mme-service** *service\_name*: Configures MME Service. *mme\_service* must be an alphanumeric string of 1-63 characters.
- **peer-amf**: Configures a Peer AMF for 5Gs interworking.
- **tai-match**: Configures 5GS Tracking Area Information match for this Peer AMF.
- **mcc**: Configures the Mobile Country Code for this Peer AMF.

- **mnc**: Configures the Mobile Network Code for this Peer AMF.
- **address**: Configures address of Peer AMF. Must be followed by address using dotted-decimal notation. This can also be specified as an IPv6 address.

### Configure PGW-C with SMF Combined

Use the following command to configure the PGW-C with smf combined configuration in mme-service.

```
configure
  context context_name
    mme service service_name
      [ no ] pgw-address ipv4_address | ipv6_address ue-usage-type UUT_Value
  collocated-node collocated_name smf-combined weight weight_value
end
```

Use the following command to configure the P-GW-C with smf combined configuration in apn-call-control-profile.

```
configure
  context context_name
    apn profile profile_name
      [ no ] pgw-address ipv4_address | ipv6_address ue-usage-type UUT_Value
  collocated-node collocated_name smf-combined
end
```

#### NOTES:

- **mme-service service\_name**: Configures MME Service. *mme\_service* must be an alphanumeric string of 1-63 characters.
- **pgw-address**: Configures p-gw address. Must be followed by address using dotted-decimal notation. This can also be specified as an IPv6 address.
- **ue-usage-type** : Configures UE usage type for disconnecting PDN for up service area.
- **collocated-node**: Configures the Collocation name to select the collocated S/PGW node IP addresses and/or P-GW Node name for 5GS Interworking.




---

**Note** Make sure to configure P-GW Node name under **Collocated-node** for 5GS interworking with N26 interface. This configuration allows P-GW Node Name IE to include the configured name in **Context Response** and **Forward relocation Request** messages from MME to AMF over N26 interface.

---

- **smf-combined** : Configures a combined P-GW and SMF.
- **no**: Removes the configured PGW address.

## Configuring DNS Peer AMF

Use the following sample configuration to configure peer-AMF selection using the DNS interface:



```
configure
  mme-service mme_svc_name
    dns peer-amf
  end
```

**NOTES:**

- **dns peer-amf:** MME sends a DNS query to the DNS server for selecting AMF.



**Note** The **dns pgw** command under MME Service and Call Control Profile can be reused to configure DNS to select the PGW-C+SMF address.

## Monitoring and Troubleshooting

This section provides information regarding show commands and outputs available to monitor and troubleshoot the N26 Interface feature.

### Show Commands and Outputs

#### show call-control-profile full name

The output of this command includes the **5GS-EPS interworking with N26 interface** field, which indicates if the 5GS-EPS interworking with N26 interface feature is enabled or disabled under N1 mode at call control profile.

#### show mme-service all

The output of this command includes the following fields:

- **5GS-EPS interworking with N26 interface**
- **Peer AMF GUAMI**
- **Peer AMF TAI**

#### show mme-service statistics output

The output of this command includes the following fields:

Field	Description
<b>EUTRAN&lt;-&gt;NGRAN using N26 Interface:</b>	
Outbound relocation using EPS-5GS Mobility procedure	Displays the number of attempts, successes, and failures of outbound relocation using EPS-5GS mobility procedure.
Outbound relocation using EPS-5GS HO procedure	Displays the number of attempts, successes, and failures of outbound relocation using EPS-5GS handover procedure.

**show mme-service statistics recovered-values output**

Field	Description
Inbound relocation using EPS-5GS Mobility procedure	Displays the number of attempts, successes, and failures of Inbound relocation using EPS-5GS mobility procedure.
Inbound relocation using EPS-5GS HO procedure	Displays the number of attempts, successes, and failures of Inbound relocation using EPS-5GS handover procedure.
<b>UE-Usage-Type Source:</b>	
Peer AMF	Displays the number of Peer AMFs.

**show mme-service statistics recovered-values output**

The output of this command includes the following fields:

Field	Description
Outbound relocation using EPS-5GS Mobility procedure	Displays the number of attempts, successes, and failures of outbound relocation using EPS-5GS mobility procedure.
Outbound relocation using EPS-5GS HO procedure	Displays the number of attempts, successes, and failures of outbound relocation using EPS-5GS handover procedure.
Inbound relocation using EPS-5GS Mobility procedure	Displays the number of attempts, successes, and failures of outbound relocation using EPS-5GS mobility procedure.
Inbound relocation using EPS-5GS HO procedure	Displays the number of attempts, successes, and failures of Inbound relocation using EPS-5GS handover procedure.

**show mme-service statistics 5gs-interworking**

*Table 14: show mme-service statistics 5gs-interworking Command Output Descriptions*

Field	Description
<b>Attach Procedure:</b>	
Attach Request Rcvd	Displays the number of Attach Request messages received with UE advertising N1 Mode support.
<b>TAU Procedure:</b>	
TAU Request Rcvd	Displays the number of TAU Request messages received with UE advertising N1 Mode support.
<b>Node Selection:</b>	
PGW DNS	Displays the number P-GW DNS selection procedure.
SMF-Combined	Displays the number of times P-GW DNS selection procedures performed with DNS RR including the N1 Mode network capability.

Field	Description
NR Capable	Displays the number of times P-GW DNS selection procedures performed with DNS RR including the NR network capability.
Common	Displays the number of times P-GW DNS selection procedures performed with DNS RR excluding the N1 Mode network capability.
PGW Local Config	Displays the number of times P-GW selection procedures performed with locally configured P-GW address, without considering the N1 Mode network capability.
<b>SGW DNS:</b>	
S11	Displays the number of times S-GW selection based on s11 interface.
S5-or-S8	Displays the number of times S-GW selection based on s5-or-s8 interface.

## show call-control-profile full name

The following show command output displays the status.

Field	Description
<b>N1 Mode:</b> If the N1 mode is configured and the S-GW interface is configured with s5-s8 or s11 in the Call Control Profile, the CLI command displays the following parameters:	
5GS-EPS interworking with N26 interface	Displays an enabled 5GS-EPS interworking and displays the following status: <ul style="list-style-type: none"> <li>• SGW selection based on: Displays that the S-GW interface is configured with either s5-s8 or s11 in the Call Control Profile.</li> <li>• Ue Usage Types: Displays either no usage type or the configured usage type. For example, you can view 128 129 130 as UE usage types for the configured s11 interface.</li> </ul>
<b>N1 Mode:</b> If the N1 mode is Disabled in the Call Control Profile:	
5GS-EPS interworking with N26 interface	Displays that the 5GS-EPS interworking is disabled.
<b>N1 Mode:</b> If N1 mode is removed under the Call Control Profile:	
5GS-EPS interworking with N26 interface	Displays that 5GS-EPS interworking is not configured.
<b>N1 Mode:</b> If N1 mode is configured with reject-EPS-to-5GS-without-n1-mode under the Call Control Profile:	
reject-EPS-to-5GS-without-n1-mode	Displays that the reject EPS to 5GS context request from AMF is enabled.
<b>N1 Mode:</b> If reject-EPS-to-5GS-without-n1-mode is disabled under the Call Control Profile:	

## show mme-service all

Field	Description
reject-EPS-to-5GS-without-n1-mode	Displays that the reject EPS to 5GS context request from AMF is disabled.
<b>N1 Mode:</b> If reject-EPS-to-5GS-without-n1-mode is removed under the Call Control Profile:	
reject-EPS-to-5GS-without-n1-mode	Displays that the reject EPS to 5GS context request from AMF is not configured.

## show mme-service all

The following show command outputs displays the status.

Field	Description
<b>N1 Mode:</b> If the N1 mode is configured and the S-GW interface is configured with s5-s8 or s11 in the MME service, the CLI command displays the following parameters:	
5GS-EPS interworking with N26 interface	Displays an enabled 5GS-EPS interworking and displays the following status: <ul style="list-style-type: none"> <li>• SGW selection based on: Displays that the S-GW interface is configured with either s5-s8 or s11 in the MME service.</li> <li>• Ue Usage Types: Displays either no usage type or the configured usage type. For example, you can view 128 129 130 as UE usage types for the configured s11 interface.</li> </ul>
<b>N1 Mode:</b> If the N1 mode is Disabled in the MME service:	
5GS-EPS interworking with N26 interface	Displays that the 5GS-EPS interworking is disabled.
<b>N1 Mode:</b> If N1 mode is removed under the MME service:	
5GS-EPS interworking with N26 interface	Displays that 5GS-EPS interworking is not configured.
<b>N1 Mode:</b> If N1 mode is configured with reject-EPS-to-5GS-without-n1-mode under the MME Service:	
reject-EPS-to-5GS-without-n1-mode	Displays that the reject EPS to 5GS context request from AMF is enabled.
<b>N1 Mode:</b> If reject-EPS-to-5GS-without-n1-mode is disabled under the MME Service:	
reject-EPS-to-5GS-without-n1-mode	Displays that the reject EPS to 5GS context request from AMF is disabled.

## show session disconnect-reasons

The output of this command includes the following fields:

Field	Description
mme-reselection-to-amf	This disconnect reason is incremented, if the subscriber reselects AMF as part of the EPS to 5GS Idle Mobility Registration procedure.
mme-relocation-to-amf	This disconnect reason is incremented, if the subscriber relocates to AMF as part of the EPS to 5GS Handover procedure.

## show configuration verbose

Following are the sample configuration commands of **show configuration verbose** and **show configuration** CLI commands.

The **show configuration verbose** sample configuration without the **sgw-interface** option configured.

```
call-control-profile ccpl
  gw-selection topology weight prefer pgw
  n1-mode 5gs-interworking-with-n26 sgw-selection s5-or-s8
  exit

  mme-service mmel
    mme-id group-id 32769 mme-code 2
    ...
    n1-mode 5gs-interworking-with-n26 sgw-selection s5-or-s8
  exit
```

The **show configuration** sample configuration without the **sgw-interface** option configured.

```
call-control-profile ccpl
  gw-selection topology weight prefer sgw
  n1-mode 5gs-interworking-with-n26
  exit

  mme-service mmel
    mme-id group-id 32769 mme-code 2
    ...
    n1-mode 5gs-interworking-with-n26
  exit
```

The **show configuration verbose** and **show configuration** sample configuration with the **sgw-interface** option as **s5-s8**.

```
call-control-profile ccpl
  gw-selection topology weight prefer sgw
  n1-mode 5gs-interworking-with-n26 sgw-selection s5-or-s8
  exit

  mme-service mmel
    mme-id group-id 32769 mme-code 2
    ...
    n1-mode 5gs-interworking-with-n26 sgw-selection s5-or-s8
  exit
```

The **show configuration verbose** and **show configuration** sample configuration with the **sgw-interface** option configured with **s11** with no UUTs.

```

call-control-profile ccpl
  gw-selection topology weight prefer sgw
  nl-mode 5gs-interworking-with-n26 sgw-selection s11
exit

mme-service mmel
  mme-id group-id 32769 mme-code 2
  ...
  nl-mode 5gs-interworking-with-n26 sgw-selection s11
exit

```

The **show configuration verbose** and **show configuration** sample configuration with sgw-interface option configured with s11 with UUTs 128 129.

```

call-control-profile ccpl
  gw-selection topology weight prefer sgw
  nl-mode 5gs-interworking-with-n26 sgw-selection s11 ue-usage-type 128 129
exit

mme-service mmel
  mme-id group-id 32769 mme-code 2
  ...
  nl-mode 5gs-interworking-with-n26 sgw-selection s11 ue-usage-type 128 129
exit

```

The **show configuration verbose** and **show configuration** sample configuration with sgw-interface option reconfigured with s11 with UUTs 128 130 140.

```

call-control-profile ccpl
  gw-selection topology weight prefer sgw
  nl-mode 5gs-interworking-with-n26 sgw-selection s11 ue-usage-type 128 129
exit

mme-service mmel
  mme-id group-id 32769 mme-code 2
  ...
  nl-mode 5gs-interworking-with-n26 sgw-selection s11 ue-usage-type 128 129
exit

```

The **show configuration verbose** and **show configuration** sample configuration with sgw-interface option reconfigured with s11 with UUTs 131 130 140 in the Call Control Profile or MME service.

```

call-control-profile ccpl
  gw-selection topology weight prefer sgw
  nl-mode 5gs-interworking-with-n26 sgw-selection s11 ue-usage-type 128 129 130 131 140
exit

mme-service mmel
  mme-id group-id 32769 mme-code 2
  ...
  nl-mode 5gs-interworking-with-n26 sgw-selection s11 ue-usage-type 128 129 130 131
140
exit

```

The **show configuration verbose** and **show configuration** sample configuration with `sgw-interface` option reconfigured with `s11` with UUTs 255 212 220 in the Call Control Profile or MME service.

```
call-control-profile ccp1
  gw-selection topology weight prefer sgw
  nl-mode 5gs-interworking-with-n26 sgw-selection s11 ue-usage-type 128 129 130 131 140
  212 220 255
  exit

  mme-service mmel
    mme-id group-id 32769 mme-code 2
    ...
    nl-mode 5gs-interworking-with-n26 sgw-selection s11 ue-usage-type 128 129 130 131
  140
  exit
```

The **show configuration verbose** and **show configuration** sample configuration with `sgw-interface` option reconfigured with `s11` with a specific UUT in the Call Control Profile or MME service.

```
call-control-profile ccp1
  gw-selection topology weight prefer sgw
  nl-mode 5gs-interworking-with-n26 sgw-selection s11 ue-usage-type 128 129 130 131 140
  212 220 255
  exit

  mme-service mmel
    mme-id group-id 32769 mme-code 2
    ...
    nl-mode 5gs-interworking-with-n26 sgw-selection s11 ue-usage-type 128 129 130 131
  140
  exit
```

The **show configuration verbose** with `reject-EPS-to-5Gs-without-n1-mode` not configured in the MME service.

```
call-control-profile ccp1
  remove nl-mode 5gs-interworking-with-n26
  exit

  mme-service mmel
    no nl-mode 5gs-interworking-with-n26 reject-EPS-to-5GS-without-n1-mode
  exit
```

The **show config verbose** with `n1-mode 5gs-interworking-with-n26` and `reject-EPS-to-5GS-without-n1-mode` disabled.

```
show configuration verbose/show configuration
  call-control-profile ccp1
  nl-mode 5gs-interworking-with-n26
  no nl-mode 5gs-interworking-with-n26 reject-EPS-to-5GS-without-n1-mode

#exit

  mme-service mmel
  nl-mode 5gs-interworking-with-n26
  no nl-mode 5gs-interworking-with-n26 reject-EPS-to-5GS-without-n1-mode
```

```
#exit
```

The following is the sample configuration of **show configuration verbose** and **show configuration** commands where, n1-mode 5gs-interworking-with-n26, sgw-selection, and reject-EPS-to-5GS-without-n1-mode option is enabled.

```
show configuration verbose/show configuration
call-control-profile ccpl
  n1-mode 5gs-interworking-with-n26 sgw-selection s11
  n1-mode 5gs-interworking-with-n26 reject-EPS-to-5GS-without-n1-mode
#exit

mme-service mmel
  n1-mode 5gs-interworking-with-n26 sgw-selection s11
  n1-mode 5gs-interworking-with-n26 reject-EPS-to-5GS-without-n1-mode
#exit
```

The following is the sample configuration of **show configuration verbose** and **show configuration** commands where, n1-mode 5gs-interworking-with-n26, reject-EPS-to-5GS-without-n1-mode is enabled and sgw-selection is not configured.

```
show configuration verbose/show configuration
call-control-profile ccpl
  n1-mode 5gs-interworking-with-n26 reject-EPS-to-5GS-without-n1-mode
#exit

mme-service mmel
  n1-mode 5gs-interworking-with-n26 reject-EPS-to-5GS-without-n1-mode
#exit
```

## Bulk Statistics

### MME Schema

#### MME Service Bulk Statistics

The following MME Service bulk statistics are included in the MME Schema.

Counters	Description
out-mob-4gto5g-n26-attempted	Displays the total number of attempted outbound relocation using EPS to 5GS Idle mode mobility procedure in N26 interface.
out-mob-4gto5g-n26-success	Displays the total number of successful outbound relocation using EPS to 5GS Idle mode mobility procedure in N26 interface
out-mob-4gto5g-n26-failures	Displays the total number of failed outbound relocation using EPS to 5GS Idle mode mobility procedure in N26 interface.



Counters	Description
out-ho-4gto5g-n26-attempted	Displays the total number of attempted outbound relocation using EPS to 5GS Handover procedure in N26 interface.
out-ho-4gto5g-n26-success,	Displays the total number of successful outbound relocation using EPS to 5GS Handover procedure in N26 interface.
out-ho-4gto5g-n26-failures	Displays the total number of failed outbound relocation using EPS to 5GS Handover procedure in N26 interface.
in-mob-5gto4g-n26-attempted	Displays the total number of attempted inbound relocation using 5GS to EPS Idle mode mobility procedure in N26 interface.
in-mob-5gto4g-n26-success	Displays the total number of successful inbound relocation using 5GS to EPS Idle mode mobility procedure in N26 interface.
in-mob-5gto4g-n26-failure	Displays the total number of failed inbound relocation using 5GS to EPS Idle mode mobility procedure in N26 interface.
in-ho-5gto4g-n26-attempted	Displays the total number of attempted inbound relocation using 5GS to EPS Handover procedure in N26 interface.
in-ho-5gto4g-n26-success	Displays the total number of successful inbound relocation using 5GS to EPS Handover procedure in N26 interface.
in-ho-5gto4g-n26-failures	Displays the total number of failed inbound relocation using 5GS to EPS Handover procedure in N26 interface.
mme-decor-ue-usage-type-src-peer-amf	Displays the the number of MME subscriber sessions, where UE usage type was obtained from peer AMF as part of handover.
n1-mode-attach-req	Displays the total number of Attach Requests received with N1 mode supported.
n1-mode-tau-req	Displays the total number of TAU Requests received with N1 mode supported.
n1-mode-dns-pgw-selection-smf	Displays the total number of times P-GW selection procedures were performed with locally configured P-GW address, without considering the N1 Mode network capability.
n1-mode-dns-pgw-selection-nr	Displays the number of times P-GW DNS selection procedures are performed with DNS RR including the NR network capability.
n1-mode-dns-pgw-selection-common	Displays the number of times P-GW DNS selection procedures are performed with DNS RR excluding the N1 Mode network capability.
n1-mode-dns-pgw-selection-local	Displays the total number of times P-GW selection procedures were performed with locally configured P-GW address, without considering the N1 Mode network capability.
n1-mode-dns-sgw-selection-s11	Displays the total number of times dynamic S-GW selection procedures were performed based on the s11 interface.

Counters	Description
n1-mode-dns-sgw-selection-s5-or-s8	Displays the total number of times dynamic S-GW selection procedures were performed based on the s5 or s8 interface.

### MME Service Backup Bulk Statistics

The following MME Service backup bulk statistics are included in the MME-BK Schema.

Counters	Description
recovered-out-mob-4gto5g-n26-attempted	Shows recovered values for total number of attempted outbound relocation using EPS to 5GS Idle mode mobility procedure in N26 interface.
recovered-out-mob-4gto5g-n26-success	Shows recovered values for total number of successful outbound relocation using EPS to 5GS idle mode mobility procedure in N26 interface.
recovered-out-ho-4gto5g-n26-attempted	Shows recovered values for total number of attempted outbound relocation using EPS to 5GS Handover procedure in N26 interface.
recovered-out-ho-4gto5g-n26-success	Shows recovered values for total number of successful outbound relocation using 5GS to EPS handover procedure in N26 interface.
recovered-in-mob-5gto4g-n26-attempted	Shows recovered values for total number of attempted inbound relocation using 5GS to EPS Idle mode mobility procedure in N26 interface.
recovered-in-mob-5gto4g-n26-success	Shows recovered values for total number of successful inbound relocation using 5GS to EPS Idle mode mobility procedure in N26 interface.
recovered-in-ho-5gto4g-n26-attempted	Shows recovered values for total number of attempted inbound relocation using 5GS to EPS Handover procedure in N26 interface.
recovered-in-ho-5gto4g-n26-success	Shows recovered values for total number of successful inbound relocation using 5GS to EPS Handover procedure in N26 interface.



## CHAPTER 8

# Adding Cause Code 38 to Bulkschema Counters

- [Feature Summary and Revision History, on page 177](#)
- [Feature Description, on page 178](#)
- [Verifying the Added Bulk Statistics Network Failure in EMM and ESM MME-Service Statistics, on page 178](#)
- [Monitoring and Troubleshooting, on page 178](#)

## Feature Summary and Revision History

### Summary Data

Applicable Product(s) or Functional Area	MME
Applicable Platform(s)	<ul style="list-style-type: none"><li>• ASR 5500</li><li>• VPC-DI</li><li>• VPC-SI</li></ul>
Feature Default	Disabled - Configuration Required
Related Changes in This Release	Not applicable
Related Documentation	<ul style="list-style-type: none"><li>• <i>Command Line Interface Reference</i></li><li>• <i>MME Administration Guide</i></li><li>• <i>Statistics and Counters Reference</i></li></ul>

### Revision History

Revision Details	Release
First introduced	21.21

## Feature Description

EPS Session Management (ESM) network failures are caused by a rejection of P-GW/S-GW and this failure occurs during UE attachment process. The failure contributes to around 3% decrease in SR statistics calculations resulting in ESM Failure Cause Code 38 network failure.

As this failure is not added as a part of the EMM/ESM statistics, it is not used to exclude the failure during 4G attach SR statistic calculations. To overcome the decreasing calculation value in SR Statistics, a new schema MME Bulk statistics is implemented in EMM and ESM Failure Statistics.

It is done by isolating the Network Failure while performing the required SR calculations. These "Network Failure" is added in EMM, ESM, TAI, and PEER-ID statistics in MME-SERVICE.

## Verifying the Added Bulk Statistics Network Failure in EMM and ESM MME-Service Statistics

Use the following command to display and verify the network failure fields in EMM and ESM MME-Service Statistics.

```
show mme-service statistics { { emm-only verbose } | { esm-only verbose } | { tai taidb taidb_value mcc mcc_value mnc mnc_value tac tac_value } | { peer-id id_value } }
```

## Monitoring and Troubleshooting

This section provides information regarding the show commands and bulk statistics network failure in emm and esm mme-service.

### Show Commands and Outputs

```
show mme-service statistics emm-only verbose | tai taidb <taidb_value> mcc <mcc_value> mnc <mnc_value> tac <tac_value> | peer-id <peer_id>
```

The output of this command displays the total ESM failure in EMM control messages including the following newly introduced field:

- Network failure—Displays the total number of network failures during UE attachment with pdn process.

```
show mme-service statistics esm-only verbose | tai taidb <taidb_value> mcc <mcc_value> mnc <mnc_value> tac <tac_value> | peer-id <peer_id>
```

The output of this command displays the PDN Connectivity Reject fields in ESM control messages including the following newly introduced field under PDN connectivity reject:

- Network failure—Displays the total number of network failures during separate PDN request after attach complete process.

## Bulk Statistics

The following bulk statistics are added in the MME and TAI Schema:

emm-msgtx-attach-rej-38network-fail	Displays the total number of attach reject with cause code 38 in attach with PDN request.
esm-msgtx-pdncon-rej-38network-fail	Displays the total number of PDN request reject with cause code 38 in additional PDN request
tai-emm-msgtx-attach-rej-38network-fail	Displays the total number of attach reject with cause code 38 in attach with PDN request using mcc, mnc and tac value.
tai-esm-msgtx-pdncon-rej-38network-fail	Displays the total number of PDN request reject with cause code 38 in additional PDN request using mcc, mnc and tac value.





## CHAPTER 9

# Adding Discrete eNB IDs to eNB Group in MME

- [Feature Summary and Revision History, on page 181](#)
- [Feature Description, on page 182](#)
- [Adding Discrete eNB IDs to eNB Group in MME, on page 182](#)
- [Monitoring and Troubleshooting, on page 183](#)

## Feature Summary and Revision History

### Summary Data

Applicable Product(s) or Functional Area	MME
Applicable Platform(s)	<ul style="list-style-type: none"> <li>• ASR 5500</li> <li>• VPC-DI</li> <li>• VPC-SI</li> </ul>
Default Setting	Disabled - Configuration Required
Related Changes in This Release	Not Applicable
Related Documentation	<ul style="list-style-type: none"> <li>• <i>Command Line Interface Reference</i></li> <li>• <i>MME Administration Guide</i></li> <li>• <i>Statistics and Counters Reference</i></li> </ul>

### Revision History

Revision Details	Release
eNB Group configuration recommendation note is added.	21.15
First introduced.	21.14

## Feature Description



**Important** This feature is not fully qualified in this release, and is available only for testing purposes. For more information, contact your Cisco Account representative.

When the discrete eNB IDs are added to the eNB group, the MME sends the relative MME capacity value, which is configured in that eNB group, in the S1 setup response to those eNBs. Whenever the relative MME capacity for that eNB group is changed, the MME sends the MME Configuration Update message to those eNBs configured in that eNB group.

## Adding Discrete eNB IDs to eNB Group in MME

This section provides information on the newly introduced CLI commands to configure discrete eNB IDs to the eNB Group in MME.

### Adding the eNB Group

Use the following configuration to configure discrete eNB IDs in the eNB group.

```
configure
  lte-policy
    enb-group enb_group_name
      global-enb-id [ enbid-list enbid_list_name | prefix
network_identifier_name bits bits ]
    end
```

#### NOTES:

- **enbid-list** *enbid\_list\_name* : Specifies the eNB ID list with discrete eNB IDs. *enbid\_list\_name* must be a string of size 1 to 64.



**Important** In an eNB Group, it is recommended to configure either Global eNB ID prefix or discrete eNB IDs, it is not recommended to configure both.

- **global-enb-id prefix** *network\_identifier\_name* **bits** *bits* : Specifies the Global eNB ID prefix that contains a bit string which should be matched with Hexadecimal value *network\_identifier\_name* , This must be a hexadecimal number between 0x0 and 0xFFFFFFFF.



**Important** A maximum of 20 eNB groups can be configured at a time.



## Adding the eNB ID List in the eNB Group

Use the following commands to configure discrete eNB IDs to be used in the eNB group.

```
configure
lte-policy
  [ no ]enbid-list enbid_list_name
    [ no ] enb-id discrete_eNB_id | enb-id-range from starting_eNB_id to
ending_eNB_id
  end
```

### NOTES:

- **no** : Disables the configuration of discrete eNB IDs.
- **enbid-list** *enbid\_list\_name* : Specifies eNB ID list with discrete eNB IDs. *enbid\_list\_name* must be a string of size 1 to 64.
- **enb-id** *discrete\_eNB\_id*: Specifies the discrete eNB IDs. *discrete\_eNB\_id* must be a Hexadecimal number between 0x1 and 0xFFFFFFFF.



### Important

A maximum of 200 eNB IDs can be configured in an eNB id list. The enb-id-range can be a maximum of 64 per configured eNB ID list. However, if 200 eNB IDs are already configured, further enb-id-range configurations are not allowed. Duplicate eNB IDs per eNB ID list and across eNB ID list cannot be configured. Only two eNB ID lists can be configured such that discrete eNB IDs can be configured only in two eNB groups.

- **enb-id-range** : Specifies the range of discrete eNB IDs.
- **from** *starting\_eNB\_id* : Specifies the starting eNB ID in the range. *starting\_eNB\_id* must be a Hexadecimal number between 0x1 and 0xFFFFFFFF.
- **to** *ending\_eNB\_id* : Specifies the last eNB ID in the range. *ending\_eNB\_id* must be a Hexadecimal number between 0x1 and 0xFFFFFFFF.

## Monitoring and Troubleshooting

This section provides information regarding show commands available to monitor and troubleshoot the Adding Discrete eNB IDs to eNB Group in MME feature.

### Show Commands and Outputs

```
show lte-policy enb-group name enb_group_name
```

The output of this command includes the following fields:

- eNB ID List Name
- Number of eNB IDs in the list

- List of eNB IDs



## CHAPTER 10

# A-MSISDN Functionality

It is possible to configure the MME to support the Additional Mobile Subscriber ISDN (A-MSISDN) flag in the Features List AVP of the Update Location Request (ULR) messages.

This chapter looks at the MME's A-MSISDN functionality.

- [Feature Description, on page 185](#)
- [How It Works, on page 185](#)
- [Configuring A-MSISDN Functionality, on page 186](#)
- [Monitoring and Troubleshooting the A-MSISDN Functionality, on page 187](#)

## Feature Description

The MME includes the Additional Mobile Subscriber ISDN (A-MSISDN) flag in the Features List AVP of the Update Location Request (ULR) messages that are sent over the S6a interface to the Home Subscriber Server (HSS) at the time a UE Attaches. In response, if an A-MSISDN is available then the HSS sends a provisioned A-MSISDN and an MSISDN in the Subscription Data AVP in Update Location Answer (ULA) and IDR messages.

## How It Works

When A-MSISDN is configured to enable this functionality, then the MME will advertise support for A-MSISDN in S6a ULR messages by setting bit 31 in the Feature List Id 1 AVP. Upon receiving s6a ULA/IDR messages from the HSS, the MME will

- store received A-MSISDN value from the Subscription Data AVP in the UE context.
- use A-MSISDN as C-MSISDN in "SRVCC PS to CS Request" and "Forward Relocation Request" messages.
- store received C-MSISDN as A-MSISDN in the UE context.

Support for A-MSISDN functionality enables the MME to use the A-MSISDN as a Correlation MSISDN (C-MSISDN) during SRVCC PS-to-CS handovers. For information on the purpose of the C-MSISDN, refer to 3GPP TS 23.003.

If the MME sends an A-MSISDN flag in the ULR, then the MME

- can receive only one or both MSISDN and A-MSISDN in ULA/IDR messages.
- can send MSISDN or A-MSISDN as C-MSISDN.

The MME's A-MSISDN functionality is applicable for ULR/ULA, IDR/IDA, and DSR/DSA command pairs sent over S6a interface.

The MME also supports the A-MSISDN withdrawal bit received in DSR Flags AVP. Receipt of this bit triggers the MME to delete an A-MSISDN from the UE context.

## Limitations

A-MSISDN support is not present for the S6d interface. This means that A-MSISDN will not be available to the MME when SGSN/MME-combo optimization is enabled and subscription data received by the SGSN is re-used by the MME.

Location services using A-MSISDN are not supported (PLR/LRR).

Lawful Intercept (LI) and Monitor Subscriber functions based on A-MSISDN as the identifier are not supported.

## Standards Compliance

The MME's support of A-MSISDN complies with 3GPP 29.274 v11.10.0.

## Configuring A-MSISDN Functionality

Enabling A-MSISDN is a two step process:

- First, configure A-MSISDN support on the MME.
- Second, configure the MME to support 3GPP Release 11 AVPs.

Both configuration steps are described below and both must be completed to fully enable A-MSISDN functionality.

## Configuring A-MSISDN Support

By default, A-MSISDN is not supported. Use the following configuration sequence to enable the MME to support A-MSISDN functionality and to advertise that support to the HSS.

```
configure
  call-control-profile profile_name
    a-msisdn
  remove a-msisdn
end
```

Notes:

- **a-msisdn** Enables the MME to notify the HSS of support for Additional-MSISDN for the PLMN associated with this call-control profile.
- **remove** Disables support for A-MSISDN functionality and returns the MME to default state.
- Configure the 3GPP R11 support with the **diameter update-dictionary-avps** command in the HSS Peer Service configuration mode to complete the configuration required to support A-MSISDN.

## Verifying the A-MSISDN Support Configuration

Use the output generated by the **show call-control-profile full all** command to verify the configuration status of the A-MSISDN functionality:

```
Call Control Profile Name = cp1
  SAMOG Web-Authorization Mutiple Device Support : NO
  ...
  Super Charger                               : Disabled
  P-CSCF Restoration                           : Enabled
  A-MSISDN                                     : Enabled
  Sending Radio Access Technology (RAT) IE    : Enabled
```

## Configuring 3GPP Release 11 AVP Support

The following configuration sequence enables the MME to support AVPs available in Release 11 3GPP 29.272.

```
configure
  context context_name
    hss-peer-service service_name
      diameter update-dictionary-avps { 3gpp-r10 | 3gpp-r11 | 3gpp-r9 }

      no diameter update-dictionary-avps
    end
```

Notes:

- **3gpp-r11** Configures the MME to support signaling additional AVPs to an HSS in support of Release 11 of 3GPP 29.272. Using this keyword is necessary to enable the MME to fully support inclusion of the Additional Mobile Station ISDN (A-MSISDN) flag of the Feature List AVP in Update Location Request (ULR) messages sent over the S6a interface to the HSS at the time a UE Attaches.
- **no** Sets the command to the default value where Release 8 (standard) dictionary is used for backward compatibility of previous releases.

## Monitoring and Troubleshooting the A-MSISDN Functionality

### Show Command(s) and/or Outputs

The show commands in this section are available in support of the MME's A-MSISDN functionality.

#### show mme-service session full all

The A-MSISDN field in the generated output indicates an A-MSISDN value if the A-MSISDN is received from the HSS. If no value is received from the HSS, then the value displayed will be **n/a**.

```
show mme-service session full all
  SessMgr Instance: 1           ImsiMgr Instance: 1
  MSID: 123456789012345       Callid: 00004e21
  MME Service: mmesvc
  MME HSS Service: mmel
  SGTPC Service: sgtp1
  EGTP S11 Service: egtp_mme
  MME S1 Address: 192.80.80.2
```

```
EGTP S11 Address: 192.80.80.16
ME Identity: n/a   GUTI: 123:456:32777:2:3221225473
MSISDN: 888012345679001
A-MSISDN : 988012345679002
```

The following show commands will also generate outputs that display the A-MSISDN value if it has been received from the HSS. If nothing is received, then the value will be **n/a**:

- show mme-service db record call-id *call-id*
- show mme-service db record imsi *imsi*
- show mme-service db record guti plmn *plmn* group-id *group-id* code *code* m-tmsi *m-tmsi*



# CHAPTER 11

## Access Restriction based on Regional Zone Code

This chapter describes access restrictions based on regional zone codes, which are configured under a TAI-Object.

- [Feature Description, on page 189](#)
- [How It Works, on page 189](#)
- [Configuring Access Restriction based on Regional Zone Code, on page 193](#)
- [Monitoring and Troubleshooting Access Restriction based on Regional Zone Codes, on page 195](#)

### Feature Description

Zone codes are used to identify the group of Tracking Area Identities (mcc-mnc-tac), and to further restrict or allow services under those TAI, based on Call Control and/or Operator policies. The scope of zone code is defined as a set of TAIs. This is configurable under LTE TAI Management Object.

Until release 21.0, only one zone code value was configurable under each TAI-Object. Due to this limitation, configuring and managing different access restrictions per TAI-Object separately for each PLMN required a complex configuration or a separate TAI-DB for each PLMN.

To overcome this limitation, in release 21.1, this feature is modified to configure multiple zone code values under the same TAI-Object. It allows specific zone codes to be managed based on call-control-profile / HSS (per roaming partner). Also, this feature supports overlapping of zones by allowing multiple zone code values to which a TAI-Object belongs.

### How It Works

#### Regional Zone Code Identity

A PLMN-specific regional subscription unambiguously defines the region in which roaming is allowed, for the entire PLMN. It consists of one or more regional subscription zones. The regional subscription zone is identified by a Regional Subscription Zone Identity (RSZI).

The RSZI elements are defined below:

- **Country Code (CC):** This defines the country in which the PLMN is located.
- **National Destination Code (NDC):** Identifies the PLMN in that country.

- Zone Code (ZC) identifies a regional subscription zone as a pattern of "allowed" and "not allowed" location areas uniquely within that PLMN. ZC has a fixed length of two octets and is coded in full hexadecimal representation.

RSZIs, including ZCs, are assigned by the VPLMN operator.

### Information Storage

If a mobile subscriber has a regional subscription, the HSS stores a list - up to 10 Regional Subscription Zone Identities (RSZIs), for each PLMN involved. This is sufficient to store the Zone Code List per CC NDC. On updating the MME, HSS identifies the VPLMN and NDC given by the MME and transfers the corresponding Zone Code List to the MME. The UE is allowed access to all zone codes provided in the subscription data received from the HSS. The Zone Code List maintained by the MME, consists of Zone Codes without CC and NDC.

### Regional Zone Code Restriction

Regional Zone Code Restriction allows an operator to control the areas in which a UE can roam in to receive service. The code representing the zone in which a UE is to be offered service by the network can be configured in the HSS or using local provisioning in the MME.

Once provisioned, the following restriction types are supported on the MME:

- HSS subscription based zone code restriction - if the subscription data in the HSS contains zone codes, the UE is allowed to attach/connect only in those zones. Support for Regional Zone Code restriction based on HSS subscription data allows operators to offer zone based EPC subscriptions to home subscribers.



**Note** Regional subscription zone codes are populated only when HSS returns the zone codes configured in the subscription profile (as shown below). HSS returned zone codes are only configured as Allowed, not as Restricted.

```
Subscription Profile
Regional Subscription Zone Codes
Zone Code: 1
Zone Code: 12
Zone Code: 234
Zone Code: 4567
Zone Code: 890
```

- Local policy based zone code restrictions - using the operator policy on the MME, certain ranges of IMSI or specific PLMN(s) could be restricted from or allowed to camp on, zones within the MME service area. This policy could apply to any PLMN. Local policy based zone code restriction allows operators to control access of EPC by roaming subscribers on a zone basis.
- Call-Control-Profile based restriction:

- In the call-control-profile, the operator can configure zone codes as a list of allowed zone codes for a TAI-list.

```
config
call-control-profile ccp
lte-zone-code allow zone-code-list 100 147 170
```



If the "allow" zone code configured in the call-control-profile matches with a zone code from the TAI-Object list, the operation succeeds, else fails.

- In the call-control-profile, the operator can configure zone codes as a list of restricted zone codes for a TAI-list.

```
config
call-control-profile ccp
lte-zone-code restrict zone-code-list 100 147 170
```

If the "restrict" zone codes configured under Call Control Profile matches with any one zone code from TAI-Object then the zone code validation fails, else it succeeds.

Local policy based zone code restriction allows operators to control access of EPC by roaming subscribers on a zone basis.

When zone code validation fails (either with HSS or call-control-profile), the EMM Cause Code to be sent in the reject message can be configured in the call-control-profile.

- On failure, if no EMM Cause Codes is configured, the default EMM Cause Code is sent in reject message is #13, 'roaming-not-allowed-in-this-tracking-area' for roaming subscribers and #12, 'tracking-area-not-allowed' for home subscribers.
- The other EMM Cause Codes are: 'no-suitable-cell-in-tracking-area', 'eps-service-not-allowed-in-this-plmn', and 'plmn-not-allowed'.
- When a UE is rejected either because the zone code was not in the allowed list or because it was not in the restricted list, the above mentioned EMM Cause Codes can be configured.

Use the following CLI commands to configure EMM Cause Codes during a zone code validation failure:

```
config
call-control-profile profile_name
local-cause-code-mapping restricted-zone-code emm-cause-code [
eps-service-not-allowed-in-this-plmn | no-suitable-cell-in-tracking-area
| plmn-not-allowed | roaming-not-allowed-in-this-tracking-area |
tracking-area-not-allowed ]
[ remove ] local-cause-code-mapping restricted-zone-code
end
```

Notes:

- The **local-cause-code-mapping restricted-zone-code** command configures the reject cause code to send to a UE when a UE requests access to a restricted zone.
- The **emm-cause-code** command specifies the EPS Mobility Management (EMM) cause code to return when a UE requests access to a restricted zone. The emm-cause-code value must be one of the following options:
  - eps-service-not-allowed-in-this-plmn
  - no-suitable-cell-in-tracking-area - Default.
  - plmn-not-allowed
  - roaming-not-allowed-in-this-tracking-area
  - tracking-area-not-allowed

- The **remove local-cause-code-mapping restricted-zone-code** command removes the configured cause code mapping.

## Standards Compliance

The Access Restrictions based on Regional Zone Codes feature complies with the following standards:

- 3GPP TS 24.301 V9.5.0 (2010-12), 3rd Generation Partnership Project; Technical Specification Group Core Network and Terminals; Non-Access-Stratum (NAS) protocol for Evolved Packet System (EPS); Stage 3 (Release 9)
- 3GPP TS 29.272 V9.5.0 (2010-12), 3rd Generation Partnership Project; Technical Specification Group Core Network and Terminals; Evolved Packet System (EPS); Mobility Management Entity (MME) and Serving GPRS Support Node (SGSN) related interfaces based on Diameter protocol (Release 9)
- 3GPP TS 29.274 V9.4.0 (2010-09), 3rd Generation Partnership Project; Technical Specification Group Core Network and Terminals; 3GPP Evolved Packet System (EPS); Evolved General Packet Radio Service (GPRS) Tunnelling Protocol for Control plane (GTPv2-C); Stage 3 (Release 9)
- 3GPP TS 29.002 V9.4.0 (2010-09), 3rd Generation Partnership Project; Technical Specification Group Core Network and Terminals; 3GPP Evolved Packet System (EPS); Mobile Application Part (MAP); (Release 9)
- 3GPP TS 23.008 V9.4.0 (2010-09), 3rd Generation Partnership Project; Technical Specification Group Core Network and Terminals; 3GPP Evolved Packet System (EPS); Organization of Subscription Data; (Release 9)
- 3GPP TS 23.003 V9.4.0 (2010-09), 3rd Generation Partnership Project; Technical Specification Group Core Network and Terminals; 3GPP Evolved Packet System (EPS); Numbering, Addressing and Identification; (Release 9)

## Limitations

The Access Restriction based on Regional Zone Code feature have the following limitations:

- If an ISDR is received from the HSS for an attached subscriber, the MME does not detach the subscriber, rejects the next TAU request.
- If both call control policy based restrictions and HSS subscription based zone code restrictions are present during a call, only HSS based restrictions will be processed. For a zone code in a HSS accept list, the call will be progressed, and for a zone code that is not in the HSS accept list, the message will be rejected, regardless of any call control profile being active for the call.
- Changes to zone code mapping or call control profile mapping will not detach the currently attached subscribers. The call control profile changes, and also, the changes to mapping of TAI to Zone codes affects the processing of any incoming messages after the change.



### Note

This feature should be configured with either a HSS provided zone-code policy or a locally configured zone-code policy, but not together. If both are configured, the MME selects the HSS provided zone-code policy leading to an unexpected behavior.

# Configuring Access Restriction based on Regional Zone Code

In release 21.1, the CLI command to configure zone code under a TAI-Object is extended to configure multiple zone code values under the same TAI-Object. A maximum of 10 zone codes is configurable under each TAI-Object.

During the configuration, the operator should be mindful of the following:

- Zone codes can be configured as single zone code per configuration line or multiple zone codes per configuration line. It is recommended to enter multiple zone codes per configuration line to reduce the configuration load time.
- Duplicate zone codes are not allowed under the same TAI-Object. However, duplicate zone code can be configured in a different TAI-Object.
- If multiple zone codes are entered in a single line configuration - duplicate zone codes and unique zone codes, only the duplicate zone codes will be rejected whereas the unique zone codes are accepted.
- If number of zone codes entered in single configuration line is greater than 10, then only 10 minus the initial configured zone codes will be accepted and configured.
- During the configuration, if all the 10 slots are configured, the extra configured zone code values are rejected with a suitable error.
- If the zone codes are configured when the subscribers are already attached, the currently attached subscribers are not detached. Changes to the mapping of TAI to Zone codes affect the processing of any incoming messages. So, if the mapping of TAI to zone codes is changed after an initial attach, the next TAU message zone code validation with a HSS/call-control-profile is processed with the newly updated zone code configuration. The initial attach message for new subscribers uses the updated zone code configuration.

The session manager instance, as displayed in the log, must be reloaded to push the correct configuration to the respective session manager after session manager recovery. This will ensure that the configuration in the session manager and the SCT are in sync.

Use the following CLI commands to enable Access Restriction based on Regional Zone Codes:

```
configure
  lte-policy
    tai-mgmt-db database_name
    tai-mgmt-obj object_name
      [ no ] zone-code zonecode_value [ zonecode_value2 [... [
zonecode_value10 ] ] ]
    end
```

Notes:

- The **zone-code** command configures zone code values under a TAI object. In release 21.1, the number of zone codes values configurable in a single line configuration is extended to 10 values under a TAI-list. For example, **zone-code 10 11 12 13 14 15 16 17 18 19**
- By default, the **zone-code** command is not enabled.
- The **no zone-code <zonecode\_value2>...<zonecode\_value10>**, removes the selected zone code values entered from the TAI-list. For example, in the following configuration: **no zone-code 10 11 12**, only the

zone code value 10 11 12 is removed from the existing TAI-list, whereas the other zone code values remain configured in the TAI-list.

### Example Configuration

The following is an example configuration to allow access to TAIs for PLMN with a specific value of mcc/mnc, and a configuration to restrict access to specific TAI values for a different PLMN.

```

config
  operator-policy name Partner-1-policy
    associate call-control-profile CCP1
  #exit
  operator-policy name Partner-2-policy
    associate call-control-profile CCP2
  #exit
  lte-policy
    subscriber-map sm1
      precedence 100 match-criteria imsi mcc 111 mnc 222 operator-policy-name
Partner-1-policy
      precedence 101 match-criteria imsi mcc 111 mnc 333 operator-policy-name
Partner-2-policy
    exit
    tai-mgmt-db TMD
      tai-mgmt-obj OBJ1
        zone-code 11 21
        tai mcc 123 mnc 456 tac 1234
        tai mcc 123 mnc 456 tac 1235
        tai mcc 123 mnc 456 tac 1236
        tai mcc 123 mnc 456 tac 1237
      #exit
      tai-mgmt-obj OBJ2
        zone-code 12
        tai mcc 123 mnc 456 tac 2234
        tai mcc 123 mnc 456 tac 2235
        tai mcc 123 mnc 456 tac 2236
      #exit
      tai-mgmt-obj OBJ3
        zone-code 13 22
        tai mcc 321 mnc 456 tac 1244
        tai mcc 321 mnc 456 tac 1245
        tai mcc 321 mnc 456 tac 1248
        tai mcc 321 mnc 456 tac 1249
      #exit
      tai-mgmt-obj OBJ4
        zone-code 23
        tai mcc 321 mnc 456 tac 2244
        tai mcc 321 mnc 456 tac 2245
        tai mcc 321 mnc 456 tac 2247
        tai mcc 321 mnc 456 tac 2248
      #exit
    #exit
  #exit
  call-control-profile CCP1
    lte-zone-code allow zone-code-list 11 12 13
    associate tai-mgmt-db TMD
  #exit
  call-control-profile CCP2
    lte-zone-code restrict zone-code-list 21 22 23
    associate tai-mgmt-db TMD
  #exit
end

```

### Configuration Description

In the above configurations, UEs are mapped to separate zone code numbers. Each zone code can be associated to TAIs independent of each other.

From the example above, for “allow” access:

UEs from PLMN – with mcc = 111 and mnc = 222, operator policy = Partner-1-policy and call-control-profile = CCP1 applies. With reference to CCP1, zone codes 11, 12 and 13 are allowed from the associated tai-mgmt-db = TMD. UEs from this PLMN will be allowed with access to TAI values in tai-mgmt-obj = OBJ1, OBJ3 and OBJ2 (For example, **tai mcc 123 mnc 456 tac 1234**).

From the above example, for “restrict” access:

UEs from PLMN – with mcc = 111 and mnc = 333, operator policy = Partner-2-policy and call-control-profile = CCP2 applies. With reference to CCP2, zone codes 11, 12 and 13 are restricted from the associated tai-mgmt-db = TMD. UEs from this PLMN will be restricted from access to TAI values in tai-mgmt-obj = OBJ1, OBJ3 and OBJ2 (For example, **tai mcc 123 mnc 456 tac 1234**).

## Verifying Access Restriction based on Regional Zone Codes

Use the following command to verify Access Restriction based on Regional Zone Codes configuration on the MME.

```
show lte-policy tai-mgmt-db name database_name
```

```
TAI Management DB: db_test
  TAI Management Object: obj_test
    Zone Code: 103 104 105 106 107 108 109
```

Notes:

- **TAI Management DB:** Denotes the name of the database object.
- **TAI Management Object:** Identifies the TAI-Object list where the zone codes are configured.
- **Zone Code:** Displays the configured zone code values under a specified TAI-Object.

## Monitoring and Troubleshooting Access Restriction based on Regional Zone Codes

This section provides information on how to monitor Access Restriction based on Regional Zone Codes.

### Show Command(s) and/or Outputs

This section provides information regarding show commands and/or their outputs in support of Access Restriction based on Regional Zone Codes feature.

```
show mme-service statistics
```

On running this command, the following fields are displayed for this feature:

- Roaming restricted TA

- PLMN Not allowed
- TA not allowed
- No suitable cells in TA
- No EPS Service in PLMN

Field	Description
Roaming restricted TA	The total number of EMM Attach Reject messages sent with the cause code #13: "Roaming restricted in TA".
PLMN Not allowed	The total number of EMM Attach Reject messages sent with the cause code #11: "PLMN not allowed".
TA not allowed	The total number of EMM Attach Reject messages sent with the cause code 12: "Tracking Area not allowed".
No suitable cells in TA	The total number of EMM Attach Reject messages sent with the cause code #15: "No suitable cells in TA".
No EPS Service in PLMN	The total number of EMM Attach Reject messages sent with the cause code #14: "EPS service not allowed in this plmn".

#### show mme-service db record imsi *imsi\_value*

On running this command, zone codes allowed for a particular UE are displayed. The following field is displayed for this feature:

- Regional Subscription Zone Codes

Field	Description
Regional Subscription Zone Codes	This field displays all the Zone Code values (up to 10 zone code values), returned by the HSS in the Update Location Answer message or Insert Subscriber Data message for a UE, based on the values configured in its subscription profile.




---

**Note** If zone code restriction is applied under the call-control-profile, then the Regional Subscription Zone Codes field will not be captured in any of the show CLI output.

---



## CHAPTER 12

# APN Override

Access Point Name (APN) Override is a set of features which enable the operator to override the APN requested by the UE. The functionality to provide configurable remapping provides the operator flexible options with APN handling locally rather than requiring changes in the external systems.

- [Feature Description, on page 197](#)
- [How it Works, on page 198](#)
- [Configuring APN Override, on page 198](#)
- [Monitoring and Troubleshooting the APN Override Feature, on page 202](#)

## Feature Description

In many situations the APN provided in the Activation Request is unacceptable. Either it does not match any of the subscribed APNs or could be misspelled, resulting in the SGSN/MME rejecting the Activation Request. The APN Override feature enables the operator to override an incoming APN specified by a subscriber or provided during the APN selection procedure.

There are three methods of performing apn-overriding.

- Network Identifier (NI) based overriding
- Operator Identifier (OI) based overriding
- Charging-characteristic based overriding

A valid license key is required to enable APN Override. Contact your Cisco Account or Support representative for information on how to obtain a license.

MME sends remapped APN to the UE in the ATTACH\_ACCEPT or ACTIVATE\_DEFAULT\_BEARER\_REQ messages when APN Remapping feature is enabled. The behavior is modified so that MME can control to send either the UE requested APN or remapped APN in these messages. This behavior is controlled through adding a new optional keyword **orig-apn** in the existing **apn-remap** CLI command in the APN Remap Table configuration mode.

Additional configuration control is provided at the MME service level to reject or accept UE sessions with APN containing non-3GPP standard characters. The following are considered as standard 3GPP characters:

- A - Z, a - z (alphabets)
- 0 - 9 (numeric)

- - (hyphen)
- \* (asterisk)
- . (period)

All other characters are considered as non-3GPP standard.

New CLI configuration is also introduced in the APN Remap Table configuration mode to allow remapping of APNs with non-3GPP characters.

## How it Works

The following sections describe the three methods for overriding a UE requested APN. These options enable the operator to overwrite incorrect APNs or apply an APN when not provisioned for the subscriber in the HLR.

### Network Identifier (NI) Overriding

Network Identifier (NI) Overriding is done before validating the UE requested APN with HSS subscriber data.

### Operator Identifier (OI) Overriding

Operator Identifier (OI) Overriding is done after Network Identifier is validated against HSS subscriber data. After the FQDN is constructed for DNS query, OI overriding is applied on the constructed FQDN to form a new FQDN based on OI remapping.

### Charging Characteristics Overriding

Charging characteristics based overriding is performed if the `apn-charging-characteristic/subscriber-charging-characteristic` from the HSS matches the configured APN and `charging-characteristic` in the remap entry.

## Configuring APN Override

Configuration for all of the functions of the APN Override feature is accomplished in the APN Remap Table configuration mode of the Operator Policy Feature. In order to enable `apn-overriding`, an `apn-remap-table` must be configured and associated to the `mme-service` through the `operator-policy`.

### Before You Begin

APN Override is configured with the commands in the APN Remap Table configuration mode. This mode generates a table that is a key component of the Operator Policy feature and the table is not valid unless it is associated with an operator policy.

Before entering the APN Remap Table configuration mode to configure specific APN override settings, you must first create and associate the various related objects as follows:



- 
- Step 1** Create an APN Remap Table instance from the Global configuration mode.
- Step 2** Associate the APN Remap Table with an operator policy in the Operator Policy configuration mode.
- Step 3** Define which subscribers should have this operator policy applied.  
Refer to the following example to complete these steps.
- 

### Example

```

configure
  apn-remap-table table_name -noconfirm
  exit
  operator-policy name policy_name -noconfirm
  associate apn-remap-table table_name
  exit
  lte-policy
  subscriber-map map_name -noconfirm
  precedence 1 match-criteria all operator-policy-name policy_name
  exit
  exit
  context ingress -noconfirm
  mme-service srvc_name -noconfirm
  associate subscriber-map map_name
  end

```

## Configuring Network Identifier Override

Network Identifier (NI) Overriding is done before validating the UE requested APN with HSS subscriber data.

```

configure
  apn-remap-table table_name
  apn-remap network-identifier company.com new-ni internet.com
  end

```

Notes:

- The **apn-remap** command above remaps the UE requested APN "company.com" to "internet.com".
- Wildcards characters (\*) can be used in the existing network identifier.

## Configuring Operator Identifier Override

Operator Identifier (OI) Overriding is done after Network Identifier is validated against HSS subscriber data. After the FQDN is constructed for the DNS query, Operator Identifier overriding is applied on the constructed FQDN to construct the new FQDN based on OI remapping.

```

configure
  apn-remap-table table_name

```

```

    apn-remap operator-identifier mnc456.mcc123.gprs new-oi mnc987.mcc654.gprs
    apn-remap operator-identifier mnc456.mcc123.gprs value-for-oi-mcc 543
value-for-oi-mcc 234
    end

```

Notes:

- The first **apn-remap** command above remaps "company.com.apn.epc.mnc456.mcc123.3gppnetwork.org" to "starent.com.apn.epc.mnc987.mcc654.3gppnetwork.org".
- The second **apn-remap** command above remaps "starent.com.apn.epc.mnc456.mcc123.3gppnetwork.org" to "starent.com.apn.epc.mnc234.mcc543.3gppnetwork.org".
- Wildcards characters (\*) can be used in the existing operator identifier.

## Configuring Charging Characteristics Override

If the UE-requested APN and apn-charging-characteristic or subscriber-charging-characteristic information returned from the HSS matches the locally configured APN and charging-characteristic details in the remap entry, then it is overridden with the configured target-ni.

```

configure
    apn-remap-table table_name
        cc behavior 0x785 profile 6 apn-remap network-identifier company.com
new-ni internet.com
    end

```

Notes:

- The above command remaps "company.com" to "internet.com" if the configured charging-characteristic matches the apn-charging-characteristic or subscriber-charging-characteristic in the HSS. Also, the PDN-type must match.

## Enabling MME to Send UE Requested APN

Use the following configuration commands to configure MME to send the UE requested APN in ATTACH\_ACCEPT or ACTIVATE\_DEFAULT\_BEARER\_REQ message.

```

configure
    apn-remap-table table_name
        apn-remap network-identifier company.com new-ni internet.com [ orig-apn
]
        cc behavior 0xff profile 10 apn-remap network-identifier company.com
new-ni internet.com [ orig-apn ]
        apn-selection-default lowest-context-id [ orig-apn ]
        apn-selection-default first-in-subscription [ orig-apn ]
        apn-selection-default network-identifier require-dns-fail-wildcard
[ orig-apn ]
    end

```

Notes:

- **orig-apn**: This is an optional keyword newly added to the existing CLI commands to enable MME to send UE requested APN to the UE. If this optional keyword is not configured, then MME continues with its default behavior of sending the remapped APN to the UE.
- For more information on the existing CLI commands, see the *Command Line Interface Reference* guide.

## Rejecting UE Requested APN with Non-standard Characters

Use the following configuration commands to configure MME to reject UE sessions containing non 3GPP standard characters in the APN.

```
configure
  context context_name
    mme-service service_name
      [ default ] policy attach reject-non3gpp-char-apn
      [ default ] policy pdn-connect reject-non3gpp-char-apn
    end
```

Notes:

- **policy attach reject-non3gpp-char-apn**: This command enables MME to immediately reject the attach procedure without any APN remapping, if the UE requested APN contains non 3GPP characters. The attach procedure is rejected with ESM cause-code #27 "missing or unknown APN" and T3396 value IE is included in the Attach reject message.
- **policy pdn-connect reject-non3gpp-char-apn**: This command enables MME to immediately reject the PDN connect procedure without any APN remapping, if the UE requested APN contains non 3GPP characters. The PDN connect procedure is rejected with ESM cause-code #27 "missing or unknown APN" and T3396 value IE is included in the PDN connect reject message.
- For more information on the existing CLI commands, see the *Command Line Interface Reference* guide.

## Remapping UE Requested APN with Non-standard Characters

Use the following configuration commands to configure MME to remap UE requested non 3GPP character APN to an operator defined APN.

```
configure
  apn-remap-table table_name
    apn-remap non3gpp-char-apn new-ni new-ni-name [ orig-apn ]
  end
```

Notes:

- **apn-remap non3gpp-char-apn new-ni new-ni-name**: This command enables MME to remap all UE requested APNs containing non 3GPP characters to the configured new-ni APN. If the optional keyword "orig-apn" is configured, then MME sends the UE requested APN in ATTACH\_ACCEPT or ACTIVATE\_DEFAULT\_BEARER\_REQ message. If this keyword is not configured, then remapped APN is sent back to UE.
- This CLI is applied only if the UE sessions are not rejected by the new configuration options **policy attach reject-non3gpp-char-apn** and **policy pdn-connect reject-non3gpp-char-apn** under the mme-service.

- If the UE requested APN contains non-3GPP characters and the **apn-remap non3gpp-char-apn new-ni new-ni-name** CLI command is configured, then this CLI takes precedence over any other matching criterion for APN remapping.
- For more information on the existing CLI commands, see the *Command Line Interface Reference* guide.

## Verifying the APN Override Configuration

The following command shows the override settings configured for the specified APN remap table.

```

show apn-remap-table full name table_name
show apn-remap-table full name          table1
Charging Characteristic APN Override Entry1
  Match Charging Characteristics Behavior      : 0x785
  Match Charging Characteristics Profile-Index : 6
  Match Requested APN                        : company.com
  APN to use for Overriding                  : internet.com
APN remap Entry1 :
  Match Input OI wildcard                    :mnc456.mcc123.gprs
  Remap Input OI to                          :mnc987.mcc654.gprs
APN remap Entry2 :
  Match Input NI wildcard                    :company.com
  Remap Input NI to                          :internet1.com

```

## Monitoring and Troubleshooting the APN Override Feature

This section provides information regarding show commands and/or their outputs in support of this feature.

The following operations should be performed for any failure related to this feature:

- Verify if the feature is enabled using **show configuration** and **show mme-service all** CLI commands. If not enabled, configure the CLI commands mentioned in the *Enabling MME to Send UE Requested APN* and *Rejecting UE Requested APN with Non-standard Characters* sections and check if it works.
- Collect the output of **show mme-service statistics debug** command and analyze the debug statistics "Rejected Attach due to non3gpp char APN" and "Rejected PDN Connect due to non3gpp char APN". For further analysis, contact your Cisco account representative.

### show configuration

The output of this show command is enhanced to indicate whether MME sends back UE requested APN in ATTACH\_ACCEPT or ACTIVATE\_DEFAULT\_BEARER\_REQ message.

The following is a sample output of this show command indicating that this feature is enabled.

```

[local]asr5000# show configuration
config
... ..
no session trace network-element saegw
  apn-remap-table abc
    apn-remap non3gpp-char-apn new-ni mappedAPn orig-apn
    apn-remap network-identifier origApn new-ni mappedApn orig-apn
#exit
port bits 24/4
snmp trap link-status

```

```

... ..
    no heuristic-paging
    no isr-capability
    policy attach set-ue-time disable
    policy attach reject-non3gpp-char-apn
    policy pdn-connect reject-non3gpp-char-apn
    policy tau set-ue-time disable
... ..
... ..
end

```

## show mme-service all

The output of this show command is enhanced to indicate whether MME rejects APNs with non-standard characters in Attach Request or PDN Connect Request message. The following fields are added in support of this feature.

- Reject attach with non-3GPP char APN
- Reject pdn connect with non-3GPP char APN

The following is a sample output of this show command with the new field included.

```

show mme-service all
Policy for Idle Mode Detach           : Explicit
NAS Max Retransmissions Count        : 4
Set UE Time (attach processing)       : Disabled
Reject attach with non-3GPP char APN : Disabled
Reject pdn connect with non-3GPP char APN : Disabled
IMEI Query (attach processing)        : None
EIR Query (attach processing)         : Disabled

```

## show mme-service session full { all | imsi | mme-service }

The output of this show command is enhanced to display the name of UE requested APN with non-standard character in hexadecimal format, and with all standard characters in normal string format. The following field is added in support of this feature.

- UE Requested APN

The following is a sample output of this show command with the new field included.

```

show mme-service session full all
PDN Information:
  APN Name: starent.com
  UE Requested APN: starent-ueside.com
APN Restriction: 1
PDN Type: IPv4

```



### Important

The UE requested APN information will not be available for UE after the session recovery as it will not be check pointed.

```
show mme-service session full { all | imsi | mme-service }
```



# CHAPTER 13

## APN-OI based P-GW Selection

- [Feature Summary and Revision History, on page 205](#)
- [Feature Description, on page 205](#)
- [APN-OI Based P-GW Selection Configuration, on page 206](#)

### Feature Summary and Revision History

#### Summary Data

Applicable Product(s) or Functional Area	MME
Applicable Platform(s)	<ul style="list-style-type: none"> <li>• ASR 5500</li> <li>• VPC-DI</li> <li>• VPC-SI</li> </ul>
Default Setting	Disabled - Configuration Required
Related Changes in This Release	Not Applicable
Related Documentation	<ul style="list-style-type: none"> <li>• <i>Command Line Interface Reference</i></li> <li>• <i>MME Administration Guide</i></li> </ul>

#### Revision History

Revision Details	Release
First introduced.	21.15

### Feature Description

The MME accepts a new format for the operator-identifier. When the configured APN matches with the APN that gets constructed with APN operator identifier (APN-OI), then the corresponding APN profile with the

P-GW address is selected. APN-OI-Replacement string from the ULA is in the format of ABCD.XYZ.MNCXXX.MCCYYY.GPRS or ABCD.MNCXXX.MCCYYY.GPRS.

MME selects P-GW based on the APN-OI-Replacement in the ULA message from HSS. MME is configured with ipv6.mnc009.mcc262.gprs/ KT5G.B2B.MNC009.MCC262.GPRS as the operator identifier. If this string matches with the APN-OI in the ULA message from HSS, then the configured P-GW is selected.

## APN-OI Based P-GW Selection Configuration

This section describes how to configure APN-OI based P-GW Selection.

### Modifying Operator Identifier

Use the following configuration to modify the operator identifier.

```
configure
  operator-policy name operator_policy_name
  apn{ network-identifier apn_net_id operator-identifier apn_op_id |
operator-identifier apn_op_id } [ apn-profile apn_profile_name ]
  end
```

#### NOTES:

- **apn** : Specifies the Access Point Name.
- **network-identifier***apn\_net\_id* : Links the specified APN network ID with the specified APN profile. *apn\_net\_id* must be an alphanumeric string of 1 through 63 characters, including dots (.) and dashes (-).
- **operator-identifier***apn\_op\_id* : Specifies the Operator identifier. *apn\_op\_id* must be a string of 1 to 39 characters in length 1 to 39, in format of [MNCxxx.MCCyyy.GPRS] / [ABCD.DEF.MNCxxx.MCCyyy.ZZZZ].




---

**Note** With release 21.15, Operator Identifier can be configured in [ABCD.DEF.MNCxxx.MCCyyy.ZZZZ] format in addition to existing [MNCxxx.MCCyyy.GPRS] format.

---

- **apn-profile** *apn\_profile\_name*: Associates APN Profile. *apn\_profile\_name* must be a string of size 1 to 64 characters in length.





## CHAPTER 14

# Auto Disable of Paging During MME Manager CPU Congestion

- [Feature Summary and Revision History, on page 207](#)
- [Feature Description, on page 208](#)
- [Configuring MME Paging, on page 208](#)
- [Monitoring and Troubleshooting, on page 210](#)

## Feature Summary and Revision History

### Summary Data

Applicable Product(s) or Functional Area	MME
Applicable Platform(s)	<ul style="list-style-type: none"><li>• ASR 5000</li><li>• ASR 5500</li><li>• VPC-DI</li><li>• VPC-SI</li></ul>
Feature Default	Enabled - Configuration Required
Related Changes in This Release	Not Applicable
Related Documentation	<ul style="list-style-type: none"><li>• <i>Command Line Interface Reference</i></li><li>• <i>MME Administration Guide</i></li><li>• <i>Statistics and Counters Reference</i></li></ul>

**Revision History**

Revision Details	Release
First introduced.	21.5.13

## Feature Description

The Auto Disabling of eNodeB Paging feature optimizes the volume of Paging events in congestion scenarios by disabling the non-critical paging triggers/events and allowing critical paging events at the same time.

The existing Paging features are enhanced to control the paging events and messages during MME Manager CPU congestion to provide better serviceability and resiliency.

MME supports the paging implementations/algorithms — Default Non-Heuristics Paging, Default Heuristics Paging, and Heuristics Paging. Heuristics Paging and Intelligent Paging procedures are used to reduce the volume of Paging messages.

MME supports the following functionalities:

- CPU congestion parameters for MME Managers — Threshold and Tolerance levels
- Periodic poll for CPU usage MME Managers
- Mark critical and non-critical stages under paging profile
- Disable paging for critical and non-critical stages, even if MME Managers are busy
- Disable paging of unregistered IMSIs for busy MME Managers if it is from SGS interface

For more information on the Heuristics Paging and Intelligent Paging, see the *Heuristic and Intelligent Paging* feature chapter in the *MME Administration Guide*.

## Configuring MME Paging

This section provides information on the CLI commands to configure the Paging Congestion feature.

## Configuring Congestion Control

Use the following configuration to enable or disable CPU Usage based congestion control for MME Manager(s), and configure congestion parameters (CPU Threshold and Tolerance values).

```
configure
  mme-manager
    congestion-control cpu-utilization [ threshold threshold_value tolerance
  tolerance_value ]
    no congestion-control [ cpu-utilization ]
  end
```



**Important** MME Manager is marked busy if CPU utilization is above threshold value and it will be marked not-busy once CPU utilization comes back to threshold - tolerance value.

#### NOTES:

- **mme-manager**: Configures MME Manager(s).  
Entering the **mme-manager** command results in the following prompt and changes to the MME Manager Configuration mode:  
`[context_name]host_name (mme-manager) #`
- **congestion-control**: Enables or disables congestion control.
- **cpu-utilization**: Specifies the average CPU utilization in %.
- **threshold** *threshold\_value*: Specifies the thresholds for various resources. *threshold\_value* must be an inetger from 1 to 100.  
Default: 90%
- **tolerance** *tolerance\_value*: Specifies the tolerance limit. *tolerance\_value* must be an inetger from 1 to 100.  
Default: 10
- **no**: Disables congestion control.
- This feature is enabled by default.

#### Verifying the Configuration

Use the following command to view the Congestion Configuration, Congestion State, and History per MME Manager instance.

```
show session subsystem facility mmemgr all
```

## Configuring Critical Paging Events

Use the following configuration to enable paging criticality and continue the paging procedure even when the MME manager is busy.

```
configure
lte-policy
  paging-profile paging_profile_name
    [ no ] critical paging_stage
  end
```

#### NOTES:

- **paging-profile** *paging\_profile\_name*: Specifies the name of the paging profile being created or accessed. If the profile name does not refer to an existing profile, a new profile is created. *paging\_profile\_name* must be an alphanumeric string of 1 to 64 characters.

- **critical** *paging\_stage*: Enables the paging criticality for the specified paging stages. The paging procedure continues even when the MMEMgr is busy. *paging\_stage* specifies the paging stage precedence as an integer from 1 to 5 where 1 is the highest and 5 is the lowest.

A maximum number of 5 entries are accepted.

- **no**: Disables the paging criticality that is configured for all paging stages and applies the default configuration. Stage-1 is considered as critical by default.
- Default: Stage-1 is considered as critical if the operator does not configure paging criticality for any paging stages.

### Verifying the Configuration

Use the following commands to verify the stage wise paging criticality configured per paging-profile:

**show lte-policy paging-profile name profile-name**

## Monitoring and Troubleshooting

This section provides information regarding show commands and bulk statistics available to monitor and troubleshoot the Paging Congestion feature.

### Show Commands and Outputs

This section provides information regarding show commands and their outputs for the Paging Congestion feature.

#### **show mme-service statistics paging-profile profile-name <paging\_profile\_name>**

The output of this command includes the following fields:

Paging Profile Level Statistics:

- Profile name — Displays the name of the configured paging profile.
- Stage-1 / Stage-2 / Stage-3 / Stage-4 / Stage-5:
  - Attempted — Displays the number of times when the session manager sends paging request to at least 1 MME manager for the stage.
  - Skipped — Displays the number of times when the session manager skips sending paging request to at least 1 busy MME manager for the stage.
  - Success — Displays the number of times when the paging procedure has completed successfully while the corresponding paging stage is awaiting UE response.
  - Failure — Displays the number of times when the paging procedure moves to next paging stage and/or paging procedure completes with failure.

#### **show mme-service statistics**

The output of this command includes the following fields:

- Paging Initiation for CS Unknown UE:
  - Attempted — Displays the number of times when the session manager sends paging request to at least 1 MME manager.
  - Skipped — Displays the number of times when the session manager skips sending paging request to at least 1 busy MME manager.

## show session subsystem facility mmemgr all

The output of this command includes the following fields:

Congestion-Configuration:

- CPU Congestion — Indicates whether CPU congestion control is enabled or disabled - Enabled/Disabled.
- Thresholds:
  - CPU Utilization — Displays the configured CPU utilization value.
  - CPU Tolerance — Displays the configured CPU tolerance value.
  - Congestion-State — Indicates the congestion state - Busy/Not Busy.
- Congestion History:
  - Timestamp — Displays the timestamp.
  - CPU usage — Displays the CPU usage.




---

**Important** Congestion history will capture the MME manager CPU-utilization transitions based on the configured values.

---

## Bulk Statistics

The following Paging related bulk statistics are available in the MME Paging Profile schema. This schema is new in this release.

Bulk Statistics	Description
mme-paging-profile-name	The name of the paging profile.
mme-paging-profile-stage1-attempted	The total number of stage1 paging attempted by this MME for this paging profile.
mme-paging-profile-stage1-success	The total number of stage1 paging success for this paging profile.
mme-paging-profile-stage1-failure	The total number of stage1 paging failure for this paging profile.
mme-paging-profile-stage1-skipped	The total number of stage1 paging skipped due to MMEMGR busy state for this paging profile.

<b>Bulk Statistics</b>	<b>Description</b>
mme-paging-profile-stage2-attempted	The total number of stage2 paging attempted by this MME for this paging profile.
mme-paging-profile-stage2-success	The total number of stage2 paging success for this paging profile.
mme-paging-profile-stage2-failure	The total number of stage2 paging failure for this paging profile.
mme-paging-profile-stage2-skipped	The total number of stage2 paging skipped due to MMEMGR busy state for this paging profile.
mme-paging-profile-stage3-attempted	The total number of stage3 paging attempted by this MME for this paging profile.
mme-paging-profile-stage3-success	The total number of stage3 paging success for this paging profile.
mme-paging-profile-stage3-failure	The total number of stage3 paging failure for this paging profile.
mme-paging-profile-stage3-skipped	The total number of stage3 paging skipped due to MMEMGR busy state for this paging profile.
mme-paging-profile-stage4-attempted	The total number of stage4 paging attempted by this MME for this paging profile.
mme-paging-profile-stage4-success	The total number of stage4 paging success for this paging profile.
mme-paging-profile-stage4-failure	The total number of stage4 paging failure for this paging profile.
mme-paging-profile-stage4-skipped	The total number of stage4 paging skipped due to MMEMGR busy state for this paging profile.
mme-paging-profile-stage5-attempted	The total number of stage5 paging attempted by this MME for this paging profile.
mme-paging-profile-stage5-success	The total number of stage5 paging success for this paging profile.
mme-paging-profile-stage5-failure	The total number of stage5 paging failure for this paging profile.
mme-paging-profile-stage5-skipped	The total number of stage5 paging skipped due to MMEMGR busy state for this paging profile.



## CHAPTER 15

# Backup and Recovery of Key KPI Statistics

The Backup and Recovery of Key KPI Statistics feature allows the MME to back up a small set of KPI counters for recovery of the counter values after a session manager (SessMgr) crash.

- [Feature Description, on page 213](#)
- [How It Works, on page 213](#)
- [Configuring Backup Statistics Feature, on page 215](#)
- [Managing Backed-up Statistics, on page 216](#)

## Feature Description

Before the Backup and Recovery of Key KPI Statistics feature was implemented, statistics were not backed up and could not be recovered after a SessMgr task restart. Due to this limitation, monitoring the KPI was a problem as the MME would lose statistical information whenever task restarts occurred.

KPI calculation involves taking a delta between counter values from two time intervals and then determines the percentage of successful processing of a particular procedure in that time interval. When a SessMgr crashes and then recovers, the MME loses the counter values - they are reset to zero. So, the KPI calculation in the next interval will result in negative values for that interval. This results in a dip in the graphs plotted using the KPI values, making it difficult for operations team to get a consistent view of the network performance to determine if there is a genuine issue or not.

This feature makes it possible to perform reliable KPI calculations even if a SessMgr crash occurs.

## How It Works

A key set of counters, used in KPI computation will be backed up for recovery if a SessMgr task restarts. The counters that will be backed up are determined by the KPIs typically used in several operator networks.

The backup of counters is enabled or disabled via configuration. The configuration specifies the product for which counters will be backed up and also a time interval for the back up of the counters.

The backed up counters can be identified via CLI generated displays or via display of the MME-specific backup statistics schema: mme-bk. The operator can use this schema to compute the KPI as statistics will have the recovered counters. During the display and the backup processes, both the normal counters and backed-up counters are cumulatively displayed or backed up.

**mme-bk schema** - This schema comprises a superset of key MME counters maintained by the SessMgr and are backed up. The counters in this schema are pegged per MME service. Each line of output is per MME service. Additionally, there will be one set of consolidated counters for all MME services which is displayed with the MME service name.

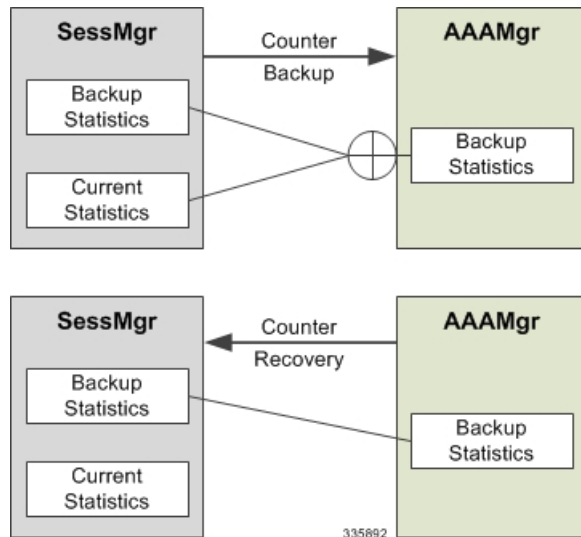
## Architecture

When this feature is enabled (see *Configuring Backup Statistics Feature* below), the MME only backs up the counters maintained at the SessMgr. The recovery function does not need to be configured or started as it occurs automatically as needed when the feature is enabled.

The counters are backed up to the AAAMgr that is paired with the SessMgr. They are recovered from the AAAMgr if a SessMgr task is killed and after the SessMgr task recovers. This feature makes use of the session recovery framework to backup and retrieve the counters.

The following diagram depicts how backed-up statistics are maintained separately at the SessMgr and how the cumulative values are backed up and recovered from the AAAMgr after SessMgr task recovery completes.

**Figure 17: Back Up and Recovery of Statistics for MME**



## Limitations

- A backup interval is *optionally* specified default is every 5 minutes. We recommend care should be taken when defining an interval as too small an interval could mean too frequent checkpoints. For example, if the backup interval is specified as 5 minutes, then counters are backed up every 5 minutes. Suppose backup happened at Nth minute and the configured backup interval is for every 5 minutes, then if a task crash happens at N+4 minutes, the MME recovers only the values backed up at Nth minute and the data for the past 4 minutes is lost.
- Only service level statistics are backed up and recovered. Any KPI that is monitored per other granularity, such as per TAC or per eNodeB, is not supported.
- Only statistics maintained at the SessMgr are backed up. Statistics at other managers are not backed up.



# Configuring Backup Statistics Feature

For the Backup and Recovery of Key KPI Statistics feature to work, it must be enabled by configuring the backup of statistics for the MME.

## Configuration

The following CLI commands are used to manage the functionality for the backing up of the key KPI statistics feature

### Enabling

The following configures the backup of statistics for the MME and enables the Backup and Recovery of Key KPI Statistics feature.

```
configure
  statistics-backup mme
end
```

### Setting the Backup Interval

The following command configures the number of minutes (0 to 60) between each backup of the statistics. When the backup interval is not specified a default value of 5 minutes is used as the backup interval

```
configure
  statistics-backup-interval minutes
end
```

### Disabling

The following configures the MME to disable the backing up of statistics for the MME.

```
configure
  no statistics-backup mme
end
```

## Verifying the Backup Statistics Feature Configuration

Use either the **show configuration** command or the **show configuration verbose** command to display the feature configuration.

If the feature was enabled in the configuration, two lines similar to the following will appear in the output of a **show configuration [ verbose ]** command:

```
statistics-backup mme
statistics-backup-interval 5
```

Notes:

- The interval displayed is 5 minutes. 5 is the default. If the **statistics-backup-interval** command is included in the configuration, then the 5 would be replaced by the configured interval number of minutes.

- If the command to disable the feature is entered, then no `statistics-backup` line is displayed in the output generated by a `show configuration [ verbose ]` command.

## Managing Backed-up Statistics

A new keyword, **recovered-values**, is used with existing `show` and `clear` commands to either generate a display of the backed-up statistics or to clear the backed-up statistics.

### Displaying Backed-up Statistics

Use one of the following commands to generate a display of the backed up statistics:

- `show mme-service statistics [ recovered-values ] [ verbose ]`
- `show mme-service statistics emm-only [ recovered-values ] [ verbose ]`
- `show mme-service statistics esm-only [ recovered-values ] [ verbose ]`

Notes:

- When the **recovered-values** keyword is used, output includes both current + recovered backed-up statistical values.
- If no SessMmgr crash has occurred, then the recovered values in the output of the above commands will be 0 (zero).

### Clearing Backed-up Statistics

Use one of the following commands to clear (delete) the backed-up statistics. Note that the order entry for the service name identification varies in some of the commands. As well, the `verbose` keyword is not used with the `clear` commands.

- `clear mme-service statistics [ recovered-values ]`
- `clear mme-service statistics emm-only [ recovered-values ]`
- `clear mme-service statistics esm-only [ recovered-values ]`

Notes:

- When the **recovered-values** keyword is used, only the **recovered** values will be cleared.



## CHAPTER 16

# Cause Code #66

---

- [Feature Description, on page 217](#)
- [How It Works, on page 217](#)
- [Configuring PDP Activation Restriction and Cause Code Values, on page 218](#)
- [Monitoring and Troubleshooting the Cause Code Configuration, on page 222](#)

## Feature Description

This feature is developed to achieve compliance with Release 11 3GPP Technical Specifications. The Release 11 3GPP Technical Specification introduced a new ESM/SM cause code "Requested APN not supported in current RAT and PLMN combination (cause code 66). This ESM/SM cause is used by the network to indicate that the procedure requested by the UE is rejected as the requested APN is not supported in the current RAT and PLMN. A UE which receives this cause will stop accessing the APN in the current RAT, but as soon as it enters another RAT type it will retry the APN.

The introduction of cause code 66 resolves this issue as the operator can block access to IMS APN in 2G/3G and can allow access in 4G.



---

**Important** This feature is applicable for both SGSN and MME.

---



---

**Important** This is a 3GPP Release 11 compliance feature, and will be applicable only to UEs capable of decoding ESM/SM cause code 66.

---

## How It Works

This feature is developed for both SGSN and MME. In the SGSN, activation restriction of PDP context on the basis of access type can be configured using the restrict access-type command under the APN profile configuration mode. This command is now extended to MME; a new keyword "eps" is introduced to configure the APN profile to restrict the PDP context activation from EPS network access. If this CLI is enabled access to APN's associated with this APN profile are not allowed on MME/SGSN. By default, any activation on SGSN for this APN is rejected with cause code 'Requested APN not supported in current RAT and PLMN

combination66'. During mobility scenarios the PDPs related to this APN are deactivated on the SGSN and the PDPs are also deactivated up to the GGSN/PGW.

On the MME attach is rejected if the default bearer related APN is not supported under the APN profile. By default the EMM cause and the ESM cause in attach reject are 'ESM failure19' and 66 respectively.

If the first default bearer APN is allowed, after a successful attach if the subsequent second default bearer APN is not supported, activation is rejected with cause 'Requested APN not supported in current RAT and PLMN combination66'. This is default MME behavior.

During mobility procedures on MME, if APN is not supported for bundle, bearers will be deactivated all the way up to PGW and as well on MME for that particular bundle.

If the APN is not supported for all the bundles received from a peer node for a Tracking Area Update procedure at a new MME, Tracking Area Update is rejected with EMM cause 'No Suitable Cells In tracking area 15'.

If the APN is not supported for all the bundles received from a peer node for SRNS relocation procedure at the new MME, SRNS is rejected with GTPV2 cause 'Denied in RAT82' in Forward relocation response (if the peer node is MME/S4 SGSN). SRNS is rejected with GTPV1 cause 'Relocation failure213' in Forward relocation response if the peer node is a Gn Gp SGSN.

The operator can configure different cause values other than the default cause values mentioned in the scenarios described above. For SGSN/MME cause code remapping is done by configuring various options of the local-cause-code-mapping command under the Call Control Profile configuration mode (for both SGSN and MME) and MME Service Configuration mode (for MME only).

## Standards Compliance

This feature is developed to comply with the following standards:

- 3GPP TS 24.301, Release 11 (version 11.14.0)
- 3GPP TS 23.401, Release 11 (version 11.11.0)
- 3GPP TS 24.008, Release 11 (version 11.15.0)
- 3GPP TS 23.060, Release 11 (version 11.12.0)

## Configuring PDP Activation Restriction and Cause Code Values

The following configuration procedures are used to configure this feature. The access type restriction, cause code mapping for SGSN and MME can be configured using following procedures.

### Configuring PDP Activation Restriction

The restrict access-type command under the APN profile configuration mode is used to configure PDP activation restriction on the basis of access type, a new command option for EPS networks is introduced for this feature. Now this command is also used to configure the APN not supported in particular RAT and PLMN combination. If this command is enabled, new PDP activations to an APN with which this APN profile is associated are rejected. During handovers PDPs/PDNs are deactivated if the APN name matches with this APN profile.

```
configure
  apn-profile profile_name
    [ no ] restrict access-type { eps | { { gprs | umts } [ qos-class
```

```
{ background | conversational | interactive | streaming } ] } }
  default restrict access-type { eps | gprs | umts }
end
```

Notes:

- This command is disabled by default.
- This command is supported by MME also.
- If the operator does not include the optional **qos-class** keyword option, then complete APN restriction is enabled and QoS related restrictions have no impact as QoS restriction is a subset of a complete APN restriction.

## Configuring SM Cause Code Mapping for SGSN

The following command is used to remap the cause code 66 to an operator desired cause code. This cause code is sent in activate rejection.

```
config
  call-control-profile profile_name
    [remove] local-cause-code-mapping apn-not-supported-in-plmn-rat
  sm-cause-code cause_number
  exit
```

Notes:

- This mapping is not done by default.
- The keyword **apn-not-supported-in-plmn-rat** specifies the cause code for Requested APN not supported in current RAT and PLMN combination.
- The keyword **sm-cause-code** specifies the SM cause code to be used towards the UE. The value can be integer with range 1 up to 255.

## Configuring ESM Cause Code Mapping for ESM Procedures (for MME)

The following command is used to remap the ESM cause code sent in activate rejections (due to APN not supported) to an operator desired ESM cause code.

```
config
  call-control-profile profile_name
    [remove] local-cause-code-mapping apn-not-supported-in-plmn-rat
  esm-cause-code cause_number esm-proc
  exit
```

Notes:

- This mapping is not done by default.
- The keyword **apn-not-supported-in-plmn-rat** specifies the cause code for Requested APN not supported in current RAT and PLMN combination.
- The keyword **esm-cause-code** specifies the ESM cause code to be used if a bearer management request is rejected due to this configuration. The value can be integer with range 1 up to 255.
- The specified **esm-cause-code** is used if an ESM procedure is rejected under the error condition **esm-proc**. This is specified as a keyword in the command.

## Configuring EMM and ESM Cause Code Mapping for EMM Procedures (for MME)

The following command under the Call Control Profile configuration mode is used remap the EMM and ESM cause codes sent in activate rejections (due to APN not supported) to an operator desired ESM and EMM cause codes.

```
config
  call-control-profile profile_name
    [remove] local-cause-code-mapping apn-not-supported-in-plmn-rat
  emm-cause-code cause_number esm-cause-code cause_number [ attach [ tau ] | tau
  [attach ] ]
  exit
```

Notes:

- This mapping is not done by default.
- The keyword **apn-not-supported-in-plmn-rat** specifies the cause code for Requested APN not supported in the current RAT and PLMN combination.
- The keyword **emm-cause-code** specifies the EMM cause code to be used if a NAS request is rejected due to this configuration. A valid EMM cause value is an integer from 2 through 111.
- The keyword **esm-cause-code** specifies the ESM cause code to be used if a NAS request is rejected due to this configuration. A valid ESM cause value is an integer from 8 through 112.
- The keyword **attach** specifies the cause code to be used if an attach procedure is rejected under the error conditions.
- The keyword **tau** specifies the cause code to be used if TAU procedure is rejected under the error conditions.

## Configuring ESM Cause Code Mapping for ESM Procedures (MME Service Configuration Mode)

The following command under the MME Service Configuration mode is used remap the ESM cause code sent in activate rejections (due to APN not supported) to an operator desired ESM cause code.

```
config
  context <context_name>
    mme-service <service_name>
      local-cause-code-mapping apn-not-supported-in-plmn-rat esm-cause-code
  <cause_number> esm-proc
      default local-cause-code-mapping apn-not-supported-in-plmn-rat
  esm-cause-code esm-proc
  exit
```

Notes:

- The default cause code for esm-proc is 66.
- The keyword **apn-not-supported-in-plmn-rat** is used to specify the cause code for Requested APN not supported in current RAT and PLMN combination.
- The keyword **esm-cause-code** is used to specify the ESM cause code to be used if a bearer management request is rejected due to this configuration. The ESM cause value is an integer with range 8 up to 112.

- The specified `esm-cause-code` is used if an ESM procedure is rejected under the error condition `esm-proc`. This is specified as a keyword in the command.

## Configuring EMM and ESM Cause Code Mapping for EMM Procedures (MME Service Configuration Mode)

The following command under the MME Service configuration mode is used to remap the EMM and ESM cause codes sent in activate rejections (due to APN not supported) to an operator desired ESM and EMM cause codes.

```

config
  context context_name
    mme-service service_name
      local-cause-code-mapping apn-not-supported-in-plmn-rat
emm-cause-code cause_number esm-cause-code cause_number [ attach [ tau ] | tau
[ attach ] ]
      default local-cause-code-mapping apn-not-supported-in-plmn-rat [
attach | tau ]
    exit

```

Notes:

- The default cause code values for Attach procedure are `emm-cause-code` 19 and `esm-cause-code` 66. The default cause code values for TAU procedure are `emm-cause-code` 15 and `esm-cause-code` 66.
- The keyword **apn-not-supported-in-plmn-rat** specifies the cause code for Requested APN not supported in current RAT and PLMN combination.
- The keyword **emm-cause-code** specifies the EMM cause code to be used if a NAS request is rejected due to this configuration. The EMM cause value is an integer with range 2 up to 111.
- The keyword **esm-cause-code** specifies the ESM cause code to be used if a NAS request is rejected due to this configuration. The ESM cause value is an integer with range 8 up to 112.
- The keyword **attach** specifies the cause code to be used if an attach procedure is rejected under the error conditions.
- The keyword **tau** specifies the cause code to be used if TAU procedure is rejected under the error conditions.

## Verifying the Feature Configuration

The configuration of this feature can be verified using the following show commands.

Execute the **show configuration** command to verify the configuration, the output displays the following parameters based on the configuration:

- `restrict access-type umts/gprs/eps`
- `local-cause-code-mapping apn-not-supported-in-plmn-rat sm-cause-code cause_number`
- `local-cause-code-mapping apn-not-supported-in-plmn-rat esm-cause-code cause_number esm-proc`
- `local-cause-code-mapping apn-not-supported-in-plmn-rat emm-cause-code 19 esm-cause-code 66 attach`
- `local-cause-code-mapping apn-not-supported-in-plmn-rat emm-cause-code 19 esm-cause-code 66 tau`
- `local-cause-code-mapping apn-not-supported-in-plmn-rat esm-cause-code 32 esm-proc`
- `local-cause-code-mapping apn-not-supported-in-plmn-rat emm-cause-code 15 esm-cause-code 66 attach`
- `local-cause-code-mapping apn-not-supported-in-plmn-rat emm-cause-code 19 esm-cause-code 66 tau`

Execute the **show apn-profile full** *profile\_name* command to verify the configuration, the output displays the following parameters based on the configuration:

- Service Restriction for Access Type UMTS:
- Complete APN restricted : Enabled
- Service Restriction for Access Type GPRS:
- Complete APN restricted : Enabled
- Service Restriction for Access Type EPS:
- Complete APN restricted : Enabled

Execute the **show call-control-profile full** *profile\_name* command to verify the configuration, the output displays the following parameters based on the configuration:

- Mapped SM Cause For Req APN not sup in current RAT and PLMN combination: Not Configured
- Mapped SM Cause For Req APN not sup in current RAT and PLMN combination: Requested service option not subscribed (33)
- Cause Code Mapping
- APN not supported PLMN-RAT esm-proc : Operator Determined Barring (esm-8)
- APN not supported PLMN-RAT Attach : ESM failure (emm-19), Requested APN not supported in current RAT and PLMN combination (esm-66)
- APN not supported PLMN-RAT TAU : ESM failure (emm-19), Requested APN not supported in current RAT and PLMN combination (esm-66)

Execute the **show mme-service name** *mme\_service* command to verify the configuration, the output displays the following parameters based on the configuration:

- APN not supported PLMN-RAT esm-proc : Requested APN not supported in current RAT and PLMN combination (esm-66)
- APN not supported PLMN-RAT Attach : ESM failure (emm-19), Requested APN not supported in current RAT and PLMN combination (esm-66)
- APN not supported PLMN-RAT TAU : No Suitable Cells In tracking area (emm-15)

## Monitoring and Troubleshooting the Cause Code Configuration

This section provides information on the show commands and bulk statistics available to support this feature.

### Show Command(s) and/or Outputs

This section provides information regarding show commands and/or their outputs in support of this feature.

#### show gmm-sm statistics verbose

The following new parameters are added to this show command to display the statistics for this feature:

- 3G-Pri-Actv-APN-Not-Sup-Rej
- 2G-Pri-Actv-APN-Not-Sup-Rej
- 3G-APN-Not-Supported-in-PLMN-RAT
- 2G-APN-Not-Supported-in-PLMN-RAT
- APN Not Supported in PLMN RAT combination Statistics
- 3G-Pdp-Dropped-During-New-SGSN-RAU



- 2G-Pdp-Dropped-During-New-SGSN-RAU
- 3G-Pdp-Dropped-During-New-SGSN-SRNS
- Pdp-Dropped-During-3G-To-2G-IRAT
- 3G-Actv-NRPCA-Reject
- Pdp-Dropped-During-2G-To-3G-IRAT

The following statistics are MME specific:

- APN not sup PLMN-RAT
- Inbound Inter node SRNS failure
- APN not sup in PLMN/RAT

## Bulk Statistics

The following statistics are included in the MME and SGSN Schemas in support of the feature.

### MME Schema

- inter-node-srns-proc-fail-apn-not-supported
- inter-node-tau-proc-fail-apn-not-supported
- tai-esm-msgtx-pdncon-rej-apn-not-sup-in-plmn-rat
- tai-emm-msgtx-attach-rej-apn-not-sup-in-plmn-rat
- attach-proc-fail-apn-not-sup-in-plmn-rat
- esm-msgtx-pdncon-rej-apn-not-sup-in-plmn-rat
- emm-msgtx-attach-rej-apn-not-sup-in-plmn-rat
- emmdisc-apnnotsupinplmnrat

### SGSN Schema

- 3G-actv-rej-apn-not-supported-in-plmn-rat
- 2G-actv-rej-apn-not-supported-in-plmn-rat
- 3G-actv-rej-apn-not-supported-in-plmn-rat-cum
- 2G-actv-rej-apn-not-supported-in-plmn-rat-cum
- 2G-3G-irat-pdp-drop-apn-not-supported-in-plmn-rat
- 2G-israu-pdp-drop-apn-not-supported-in-plmn-rat
- 3G-israu-pdp-drop-apn-not-supported-in-plmn-rat
- 3G-srns-pdp-drop-apn-not-supported-in-plmn-rat
- 3G-nrpca-pdp-drop-apn-not-supported-in-plmn-rat
- 3G-2G-irat-pdp-drop-apn-not-supported-in-plmn-rat
- 2G-inter-svc-rau-pdp-drop-apn-not-supported-in-plmn-rat

For descriptions of these variables, see the information for the SGSN and MME schema in the *Statistics and Counters Reference*.





# CHAPTER 17

## CE Mode-B Device Support

This chapter describes the CE Mode-B support for eMTC devices on the MME in the following topics:

- [Feature Summary and Revision History, on page 225](#)
- [Feature Description, on page 226](#)
- [How it Works, on page 226](#)
- [Configuring CE Mode-B Devices, on page 228](#)
- [Monitoring and Troubleshooting, on page 233](#)

### Feature Summary and Revision History

#### Summary Data

Applicable Product(s) or Functional Area	MME
Applicable Platform(s)	<ul style="list-style-type: none"><li>• ASR 5500</li><li>• VPC-DI</li><li>• VPC-SI</li></ul>
Feature Default	Disabled - Configuration Required
Related Changes in This Release	Not applicable
Related Documentation	<ul style="list-style-type: none"><li>• <i>Command Line Interface Reference</i></li><li>• <i>MME Administration Guide</i></li><li>• <i>Statistics and Counters Reference</i></li></ul>

#### Revision History

Revision Details	Release
First introduced.	21.6

## Feature Description

The CE Mode-B Device support in MME supports the extended time required for CE Mode-B devices and NarrowBand IoT (NB-IoT) RAT type. The Coverage Enhancement (CE) mode sets the mode for the eMTC channel.

The support for CE Mode-B by a UE is indicated to the MME by lower layers. When an MME supporting WB-S1 mode performs NAS signaling with a UE that also supports CE Mode-B and operates in WB-S1 mode in either CE Mode-A or CE Mode-B, the MME calculates the value of the applicable NAS timer for WB-S1/CE mode as specified in 3GPP TS 24.301 (tables 10.2.2 and 10.3.2).

This feature supports the following functionality:

- Updation of CE Mode-B capability in MME for UE.
- EMM and ESM timer support for CE Mode-B and NB-IoT devices.
- Associate and attach timers along with precedence, device type, and RAT type.
- Session setup timeout to support the extended timers during Attach.
- CE Mode-B capability recovery after session recovery.

## How it Works

As part of the CE Mode-B Device Support feature, the operator is given the flexibility to configure different timeout values for applicable ESM and EMM timers which vary due to CE Mode-B capability and/or NB-IoT RAT type. To facilitate this, two new CLI commands **access-policy** and **access-profile** are introduced. The access-profile contains the set of timeout values for four EMM timers, four ESM timers, and session-setup timeout value which the operator can configure. The access-policy contains the precedence of which access-profile to select for a particular combination of RAT type and device type. The access-policy can be associated under the mme-service and will be applicable for all sessions or can be associated under the desired call-control-profile to limit it to a selected set of subscribers.

The following sections describe the selection of access-profile and timer selection from access-profile.

### Selection of Access-Profile

This section describes the selection of access-profile.

- Access-policy, if associated under matching call-control-profile, will be selected with highest priority. If no access-policy is associated under call-control-profile, then access-policy associated under mme-service will be selected. Else the default timer values will be chosen.
- Access-profile is configured in access-policy along with precedence, RAT type, and device type.
- Access-profile with lower precedence is selected. When the precedence is lower, the priority is higher.
- The appropriate access-profile is selected based on UE's RAT type or device type.
- Access-profile will be selected when the Initial-UE-Message is received (Initial-Attach, TAU-Request). The CE Mode-B indicator is received in the S1 message while the low-power indication parameters (eDRX/PSM) are received in NAS message (Attach-Request).

- Access-profile is updated whenever there is a change in device type.
  - The network accepts the request to use the eDRX by providing the eDRX parameters IE while accepting the Attach/TAU procedure. The access-profile must be updated if eDRX/PSM flags are received in Initial-Attach but not received in TAU-Request.
  - If ce-mode-b indication is not received in the S1 message for Initial-Attach but received in the S1 message for TAU-Request, the access-profile key in UE context must be updated when TAU-Request is received.
- The EMM and ESM timers can be configured using the **timeout emm** and **timeout esm** commands. The session setup timeout must also be configured accordingly to avoid session setup timer expiry before EMM/ESM timer expiry.

### Timer Selection from Access-Profile

This section describes the EMM or ESM timer selection from access-profile.

- When the EMM or ESM timer needs to start, UE will fetch the access-profile using the saved precedence as described in [Selection of Access-Profile, on page 226](#).
- UE will check if the corresponding timer is configured in access-profile.
  - If the timer is configured, then UE uses the value from access-profile.
- If the timer is not configured, then
  - UE uses the system defaults of NB-IoT timer if NB-IoT is configured.
  - UE uses the system defaults of CE Mode-B timer if CE Mode-B is configured.

Else check if the timer is configured in the MME-service and use the defaults.

- Any change to the access-profile name / deletion of access-profile / changing precedence in access-policy before the start of a procedure may cause the access-profile lookup to fail as the UE context will have the old access-profile key stored during Initial-Attach/TAU-Attach/Handoff. However, changes in the timer configuration in access-profile will be immediately applied to the same UE.

## Default EMM/ESM Timer Values

This section describes the default timer values in seconds for CE Mode-B and NB-IoT.

**Table 15: Default Timer Values**

EMM / ESM Timer	WB-S1/CE Mode-B (sec)	NB-IoT (sec)
T3422	24	6 + 240
T3450	18	6 + 240
T3460	24	6 + 240
T3470	24	6 + 240
T3485	16	8 + 180

EMM / ESM Timer	WB-S1/CE Mode-B (sec)	NB-IoT (sec)
T3486	16	8 + 180
T3489	12	4 + 180
T3495	16	8 + 180

## Standards Compliance

The CE Mode-B feature complies with the following standards:

- 3GPP TS 24.301 v13.10.0, Non-Access-Stratum (NAS) protocol for Evolved Packet System (EPS); Stage 3
- 3GPP TS 36.413, Evolved Universal Terrestrial Radio Access Network (E-UTRAN); S1 Application Protocol (S1AP)

## Configuring CE Mode-B Devices

This section describes the various CLI commands to configure the CE Mode-B Device Support feature.

### Creating an Access Policy

Use the following configuration to create a new access-policy in the Global Configuration Mode:

```
configure
  [ no ] access-policy policy_name [ -noconfirm ]
end
```

Notes:

- Entering the command results in the following prompt and changes to the Access Policy Configuration Mode:  

```
[local]host_name(access-policy-policy_name)#
```
- **access-policy** *policy\_name*: Specifies the name of the access-policy. *policy\_name* must be an alphanumeric string of 1 through 64 characters.
- **no**: Deletes the configured access-policy.
- A maximum of four access-policies can be configured.
- One access-policy can contain upto 16 entries of precedence pointing to 16 different access-profiles.

#### Verifying the Configuration

Use the following command to verify the number of access-policies configured.

```
show access-policy all
```

Use the following command to verify the configuration for all configured access-policies.

```
show access-policy full all
```

Use the following command to verify the configuration for the specified access-policy.

```
show access-policy name policy_name
```

## Creating an Access Profile

Use the following configuration to create a new profile "access-profile" in the Global Configuration Mode:

```
configure
[ no ] access-profile profile_name [ -noconfirm ]
end
```

Notes:

- Entering the command results in the following prompt and changes to the Access Profile Configuration Mode:  

```
[local]host_name(access-profile-profile_name)#
```
- **access-profile** *profile\_name*: Specifies the name of the access-profile. *profile\_name* must be an alphanumeric string of 1 through 64 characters.
- **no**: Deletes the configured access-profile.
- A maximum number of 16 access-profiles can be configured in the system.
- To use the access-profiles, the access-policies must be created under the Global Configuration mode and associated under mme-service or call-control-profile.
- One access-policy can contain upto 16 entries of precedence along with access-profile, device type, and RAT type. When the precedence is lower, the priority is higher.

### Verifying the Configuration

Use the following command to verify the configured access-profile name:

```
show access-profile full name profile_name
```

## Associating Access-Policy to Call Control Profile

Use the following configuration to associate an access-policy to the call-control-profile:

```
configure
call-control-profile cc_profile_name
  associate access-policy policy_name
  remove associate access-policy
end
```

Notes:

- **call-control-profile** *cc\_profile\_name*: Specifies the name of the call-control-profile. *cc\_profile\_name* is an alphanumeric string of 1 through 64 characters.

- **associate access-policy** *policy\_name*: Specifies the access-policy to be associated with the call-control-profile. *policy\_name* specifies the name of the access-policy, entered as an alphanumeric string of 1 through 64 characters.
- **remove**: Removes the access-policy associated with the call-control-profile. After removing the configuration from call-control-profile, the access-policy associated with the mme-service will be used.

### Verifying the Configuration

Use the following command to verify if the access-policy is associated with call-control-profile:

```
show call-control-profile full name profile_name
```

## Associating Access-Policy to MME Service

Use the following configuration to associate an access-policy to the MME service:

```
configure
  context context_name
    mme-service service_name
      associate access-policy policy_name
      remove associate access-policy
    end
```

Notes:

- **mme-service** *service\_name*: Specifies the name of the MME service as an alphanumeric string of 1 through 63 characters.
- **associate access-policy** *policy\_name*: Specifies the access-policy to be associated with the MME service. *policy\_name* specifies the name of the access-policy, entered as an alphanumeric string of 1 through 64 characters.
- **remove**: Removes the access-policy associated with the MME service.

### Verifying the Configuration

Use the following command to verify the access-policy configured in MME service:

```
show mme-service name mme_svc_name
```

## Configuring EMM Timer Configuration in Access Profile

The EMM timer configuration in access-profile is used for NAS signaling timer changes at MME for NB-S1 mode and WB-S1 mode with CE mode support. The configured timer values can also be used for NB-IoT RAT.

Use the following configuration to configure EMM timers in access-profile:

```
configure
  access-profile profile_name
    timeout emm { t3422 | t3450 | t3460 | t3470 } timeout_value
    remove timeout emm
  end
```



Notes:

- **timeout emm { t3422 | t3450 | t3460 | t3470 }**: Configures the EMM timers.
  - **t3422**: Timer for Retransmission of Detach Request.
  - **t3450**: Timer for Retransmission of Attach Accept/TAU Accept.
  - **t3460**: Timer for Retransmission of Auth Request/Security Mode.
  - **t3470**: Timer for Retransmission of Identity Request.
- **timeout\_value**: Specifies the timeout value in seconds as an integer from 1 to 270.
- **remove**: Removes the configured EMM timers from access-profile.  
After removing the configuration from access-profile, the timeout value configured in mme-service will be used.
- The EMM timer configuration in access-profile will have higher precedence over the same timer configuration in mme-service.
- The device type and RAT type are not known while configuring the timer values. Hence, the valid range for these timers is defined such that it covers the maximum value for E-UTRAN and NB-IoT RAT as specified in 3GPP TS 24.301 Release 13.
- The new configuration for a given timer will override the previous configuration. For example:

```
emm t3450-timeout 90
```

```
emm t3450-timeout 200
```

The final value for T3450 timeout that will be applied is 200 seconds.

### Verifying the Configuration

Use the following command to verify the EMM timer configuration:

```
show access-profile full name profile_name
```

## Configuring ESM Timer Configuration in Access Profile

The ESM timer configuration in access-profile is used for NAS signaling timer changes at MME for NB-S1 mode and WB-S1 mode with CE mode support. The configured timer values can also be used for NB-IoT RAT.

Use the following configuration to configure ESM timers in access-profile:

```
configure
  access-profile profile_name
    timeout esm { t3485 | t3486 | t3489 | t3495 } timeout_value
    remove timeout esm
  end
```

Notes:

- **timeout esm { t3485 | t3486 | t3489 | t3495 }**: Configures the ESM timers.
  - **t3485**: Timer for Retransmission of Activate Default/Dedicated Bearer Request.

- **t3486**: Timer for Retransmission of Modify EPS Bearer Context Request.
  - **t3489**: Timer for Retransmission of ESM Information Request.
  - **t3495**: Timer for Retransmission of Deactivate EPS Bearer Request.
- *timeout\_value*: Specifies the timeout value in seconds, as an integer from 1 to 270.
  - **remove**: Removes the configured ESM timers from access-profile.  
After removing the configuration from access-profile, the timeout value configured in mme-service will be used.
  - The ESM timer configuration in access-profile will have higher precedence over the same timer configuration in mme-service.
  - The device type and RAT type are not known while configuring the timer values. Hence, the valid range for these timers is defined such that it covers the maximum value for E-UTRAN and NB-IoT RAT as specified in 3GPP TS 24.301 Release 13.
  - The new configuration for a given timer will override the previous configuration. For example:  
**emm t3495-timeout 95**  
**emm t3495-timeout 250**  
The final value for T3495 timeout that will be applied is 250 seconds.

### Verifying the Configuration

Use the following command to verify the ESM timer configuration:

```
show access-profile full name profile_name
```

## Configuring Session Setup Timer in Access Profile

Use the following configuration to configure the session setup timer in access-profile:

```
configure
access-profile profile_name
  timeout session-setup setup_timer
  remove timeout session-setup
end
```

Notes:

- **timeout session-setup *setup\_timer***: Configures the session setup timeout in seconds. *setup\_timer* is an integer from 1 to 10000.
- **remove**: Removes the configured session setup timer from access-profile.
- The device type and RAT type are not known while configuring the timer values. Hence, the valid range for these timers is defined such that it covers the maximum value for E-UTRAN and NB-IoT RAT.
- The session setup timer configuration in access-profile will have higher precedence over the same timer configuration in mme-service.
- The new configuration for a given timer will override the previous configuration. For example:

```
timeout session-setup 500
timeout session-setup 700
```

The final session setup timeout value that will be applied is 700 seconds.

### Verifying the Configuration

Use the following command to verify the session setup timer configuration:

```
show access-profile full name profile_name
```

## Configuring the Device Type and RAT Type

Use the following configuration to associate the access-profile, device type, and RAT type to the precedence in access-policy:

```
configure
  access-policy policy_name
    precedence precedence_value access-profile profile_name { device-type {
low-power | mode-b } | rat-type { eutran | nbiot } }
    no precedence precedence_value
  end
```

Notes:

- **access-policy** *policy\_name*: Configures the access-policy. *policy\_name* must be an alphanumeric string of 1 through 64 characters.
- **precedence** *precedence\_value*: Configures the order of access-profile precedence. *precedence\_value* must be an integer from 1 to 16, where 1 has the highest precedence.
- **access-profile** *profile\_name*: Configures the access-profile to associate with the access-policy. *profile\_name* must be the name of an access-profile as an alphanumeric string of 1 through 64 characters.
- **device-type** { **low-power** | **mode-b** }: Configures the IoT device type — Low power or CE Mode-B.
- **rat-type** { **eutran** | **nbiot** }: Configures the RAT type — Evolved UTRAN or NB-IOT.
- **no**: Removes the configured precedence value.
- One access-policy can have upto 16 entries of precedence along with access-profile, device type, and RAT type. If the precedence is lower, then the priority is higher.

## Monitoring and Troubleshooting

This section provides information on the show commands and bulk statistics available for the CE Mode-B Device Support feature.

### Show Commands and/or Outputs

This section provides information regarding show commands and/or their outputs for the CE Mode-B Device Support feature.

## show access-policy full all

The **Access Policy Name** field added to the output of this command displays the configured access-policy name.

## show access-profile full name <profile\_name>

The following fields are added to the output of this command:

- Access Profile Name — Displays the configured access-profile name.
- T3422 Timeout — Displays the configured time for T3422 timeout in seconds. Displays "Not Configured" if the timer value is not configured in access-profile.
- T3450 Timeout — Displays the configured time for T3450 timeout in seconds. Displays "Not Configured" if the timer value is not configured in access-profile.
- T3460 Timeout — Displays the configured time for T3460 timeout in seconds. Displays "Not Configured" if the timer value is not configured in access-profile.
- T3470 Timeout — Displays the configured time for T3470 timeout in seconds. Displays "Not Configured" if the timer value is not configured in access-profile.
- T3485 Timeout — Displays the configured time for T3485 timeout in seconds. Displays "Not Configured" if the timer value is not configured in access-profile.
- T3486 Timeout — Displays the configured time for T3486 timeout in seconds. Displays "Not Configured" if the timer value is not configured in access-profile.
- T3489 Timeout — Displays the configured time for T3489 timeout in seconds. Displays "Not Configured" if the timer value is not configured in access-profile.
- T3495 Timeout — Displays the configured time for T3495 timeout in seconds. Displays "Not Configured" if the timer value is not configured in access-profile.
- Session Setup Timeout — Displays the configured session setup timeout in seconds. Displays "Not Configured" if the session timeout value is not configured in access-profile.

## show call-control-profile full name <profile\_name>

The **Access Policy** field added to the output of this command displays the configured access-policy name.

If access-policy is not associated with call-control profile, the Access Policy field displays "Not Defined".

## show mme-service name <mme\_svc\_name>

The **Access Policy** field added to the output of this command displays the configured access-policy name.

## show mme-service session full all

The following fields are added to the output of this command:

- UE capable of operating in CE-mode-B — Displays "TRUE" or "FALSE" to indicate if UE is operating in CE Mode-B.
- Access Profile Association — Displays the configured access-profile name.

## show mme-service statistics

The following fields are added to the output of this command:

- CE-mode-B Capable Subscribers:
  - Attached Calls — Displays the number of attached calls by CE Mode-B subscribers.
  - Connected Calls — Displays the number of connected calls by CE Mode-B subscribers.
  - Idle Calls — Displays the number of idle calls by CE Mode-B subscribers.

## Bulk Statistics

The following bulk statistics are added in the MME Schema in support of the CE Mode-B Device Support feature.

- attached-ce-mode-b-subscriber — The current total number of attached subscribers which are capable of operating in CE Mode-B.
- connected-ce-mode-b-subscriber — The current total number of attached subscribers which are capable of operating in CE Mode-B and in connected state.
- idle-ce-mode-b-subscriber — The current total number of attached subscribers which are capable of operating in CE Mode-B and in idle state.





# CHAPTER 18

## Cell Broadcast Center - SBc Interface

- [Feature Summary and Revision History, on page 237](#)
- [Feature Description, on page 238](#)
- [How It Works, on page 238](#)
- [Configuring SBc Interface, on page 240](#)
- [Monitoring SBc Services, on page 242](#)

### Feature Summary and Revision History

#### Summary Data

Applicable Product(s) or Functional Area	MME
Applicable Platform(s)	<ul style="list-style-type: none"><li>• ASR 5000</li><li>• ASR 5500</li><li>• VPC-DI</li><li>• VPC-SI</li></ul>
Feature Default	Enabled - Configuration Required
Related Changes in This Release	Not Applicable
Related Documentation	<ul style="list-style-type: none"><li>• <i>Command Line Interface Reference</i></li><li>• <i>MME Administration Guide</i></li><li>• <i>Statistics and Counters Reference</i></li></ul>

#### Revision History



**Important** Revision history details are not provided for features introduced before releases 21.2 and N5.1.

Revision Details	Release
MME is enhanced to show two new failure message types. Session manager and MME manager facility stack are updated to handle the PWS failure and restart indications.	21.28
Enhancement to SBc and S1-AP interfaces	21.12
First introduced	Pre 19.0

## Feature Description

The MME uses the SBc interface, between the MME and the Cell Broadcast Center (CBC), for warning message delivery and control functions.

The MME provides support for Commercial Mobile Alert System (CMAS) — SBc interface and underlying protocols. Warning Messages can be received from a CBC over the SBc-AP interface and relayed to all relevant eNodeBs over the S1-AP interface.

MME upon receiving Public Warning System (PWS) failure or restart indication starts a CBC transaction to notify MME on the failure or restart.

Session manager and MME manager facility stack are updated to handle the PWS failure and restart indications.

The CMAS functionality is enabled in the networks to provide warning notifications to subscribers.




---

**Important** A valid license key is required to enable the SBc interface. Contact your Cisco account representative for information on how to obtain a license.

---

For more information see the *Cell Broadcast Center - SBc Interface* chapter in the *MME Administration Guide*.

## How It Works

The MME accepts incoming SBc associations coming from multiple CBCs.

The MME is responsible for the delivery of the Warning Messages received from CBC to all relevant eNodeBs serving the given TAI list. In the absence of TAI list in the received Warning Message, MME sends the Warning Message to all connected eNodeBs.

The MME acknowledges to CBC when it has started distributing the Warning Message to all relevant eNodeBs. If a response is not received from any eNodeB, it shall not result in any exclusive error messaging to CBC.

Even if the MME node is experiencing congestion, Warning Messages are forwarded and not dropped.

When connected to multiple CBCs, the uniqueness of Warning Messages as identified by Message Type, Message Identifier and Serial Number, must be ensured across these CBCs.



## DSCP Marking for SBc Interface

SBc services support the Differentiated Services Code Point (DSCP) marking functionality. DSCP marking helps in packet traffic management. DSCP marking can be performed on both IPv4 and IPv6 packets leaving the SBc interface.

Either the predefined DSCP values can be used for marking or any arbitrary value ranging from 0x01 to 0x3F can be assigned. The default DSCP value is 0x00 or be (Best Effort). The default DSCP value is automatically set when the configuration is disabled.

```
config
  context context_name
    sbc-service service_name
      [ no ] ip qos-dscp dscp_value
    end
```

### NOTES:

- **ip**: Defines the Internet Protocol parameters for the packets leaving through the SBc interface.
- **qos-dscp**: Designates the Quality of Service - Differentiated Services Code Point value to the packet leaving through the SBc interface.
- *dscp\_value*: Value assigned to the packet for DSCP marking. The value can be a predefined DSCP value or an arbitrary value ranging from 0x01 to 0x3F.

## Warning Message Call Flows

In compliance with 3GPP TS 29.168 v15.1.0, the MME supports the following procedures:

- Write-Replace Warning Procedure
- Stop Warning Procedure
- Error Indication Procedure
- Write-Replace Warning Indication Procedure
- Stop Warning Indication Procedure
- PWS Failure Indication
- PWS Restart Indication

## Limitations

This section describes the known limitations for the Cell Broadcast Center feature:

- The size of the SBc message supported by MME is a maximum of 50K bytes. If MME receives the WRITE-REPLACE WARNING REQUEST over 50K bytes, the message cannot be processed, and a warning syslog is generated.
- MME supports only up to 256 maximum elements in PWS Restart-TAI-List. If the eNodeB sends more than 256 elements, the PWS Restart Indication message does not get relayed to the CBC.

## Standards Compliance

The Cell Broadcast Center feature complies with the following standards:

- 3GPP TS 22.268 v10.4.0: Public Warning System
- 3GPP TS 23.041 v10.6.0: Technical realization of Cell Broadcast Service (CBS)
- 3GPP TS 29.168 v15.1.0: Cell Broadcast Centre Interfaces with the Evolved Packet Core
- 3GPP TS 36.413 v15.3.0: S1-AP Interface

## Configuring SBc Interface

This section describes how to configure the SBc interface on MME.

## Creating and Configuring SBc Service

An SBc service must be created within a context to configure the SBc-AP interface to accept connections from one or more CBCs.




---

**Important** A valid license key is required to access the commands used to configure and manage the SBc interface. Contact your Cisco account representative for license information.

---

Use the following configuration to create and configure the SBc service.

```

configure
  context ctxt_name
    sbc-service sbc_svc_name
      associate sctp-param-template sctp_param_template_name
      bind ipv4/v6-address ipv4/v6_address_value1 ipv4-address ipv4_address_value2

      cbc-associations maximum number
      sbc-mme sctp port port_num
    end
  
```

### NOTES:

- Up to 8 SGs + MME + SBc + SLs services can be configured on the system. The SBc service name must be unique across all contexts.
- Associating the SBc service to the SCTP parameter template is not required for the SBc service to be operational. However, if a template is associated, the template must exist before the SBc service is associated to it.
- The SBc service must be bound to at least 1 IP address. Up to 2 IPv4 or 2 IPv6 addresses can be specified for multihoming purposes.
- The **cbc-associations** command is used to define the maximum number of CBC connections allowed for this SBc service. The default setting is 1. Up to 2 connections are allowed per SBc service.

- The default SCTP port used is 29168. The MME listens for incoming SBc-AP connections from an CBC on this port.

## Associating the SBc Service with the MME Service

Use the following configuration to associate the SBc service to an MME service.

```
configure
context ctxt_name
  mme-service mme_svc_name
    associate sbc-service sbc_svc_name [ context ctxt_name ]
  end
```

### NOTES:

- Each MME service can be associated with one unique SBc service.
- The SBc service is **not** a critical parameter for the MME service. Removing this configuration will **not** restart the MME service.
- The MME will always check for a valid SBc service that is up and connected to a CBC before performing any meaningful operations on the Warning Messages received on the S1-AP interface (like attempting to forward the messages).
- Use the optional **context** keyword if the SBc service and MME service are configured in separate contexts.
- The SBc service is not operationally STARTED unless the MME service to which it is associated is in a STARTED state.

## Configuring ENB Response Aggregate Timer

Use the following configuration timeout values for aggregating responses received from eNB at MME.

```
config
context context_name
  sbc-service service_name
    enb-response-aggr-timer timeout_value
    [ default ] enb-response-aggr-timer
  end
```

- **enb-response-aggr-timer** *timeout\_value*: Configures the timeout value in seconds for aggregating responses received from eNB at MME.
- *timeout\_value* : must be an integer between 4 and 120.
- **default** : Sets the default timeout value for aggregating responses received from eNB at MME. Default value is 10 seconds.

## Configuring Send Warning Indication

Use the following configuration to enable or disable the warning indication messages towards CBC from MME.

```

config
  context context_name
    sbc-service service_name
      [ no | default ] send stop-warning-ind
      [ no | default ] send write-replace-warning-ind
    end

```

- **send stop-warning-ind** : Enables the stop warning indication messages towards CBC from MME.
- **send write-replace-warning-ind** : Enables the write-replace-warning indication messages towards CBC from MME.
- **no**: Removes the configuration of sending the warning indication [ stop warning / write replace warning ] messages towards CBC from MME.
- **default** : Sets the default configuration of sending the warning indication [ stop warning / write replace warning ] messages towards CBC from MME. By default sending of warning indication messages are disabled.

## Verifying the SBc Service Configuration

The following command displays configuration information for all SBc services, for the specified for the specified SBc service, or for the specified Cell Broadcast Center.

```

show sbc-service { all | cbc-associations { all | sbc-service-name
sbc_svc_name [ path-info | summary ] } | sbc-service-name sbc_svc_name }

```

The following command displays the SBc Service name and SBc Service Context which has been associated with each MME service.

```

show mme-service all

```

The following command displays configuration errors and warnings related to all SBc services on the MME:

```

show configuration errors section sbc-service verbose

```

## Monitoring SBc Services

This section lists the SNMP traps, bulk statistics, and show commands that display operational statistics relating to SBc services.

### SNMP Traps

The following traps are available to track status and conditions relating to the SBc service.

- **starSBcServiceStart**: An SBc Service has started.
- **starSBcServiceStop**: An SBc Service has stopped.

The following traps are generated to track status and conditions of individual CBC associations.

- **starCBCAssocDown**: A CBC Association is down.
- **starCBCAssocUp**: A CBC Association is up.

## SBc Bulk Statistics

SBc service related bulk statistics are provided within the **SBc** schema.

Use the following command to display a list of all variables available within this schema:

```
show bulkstats variables sbc
```

For more information about these statistics, refer to the **SBc Schema** chapter of the *Statistics and Counters Reference*.

## SBc Service Show Commands and Outputs

### **show sbc statistics**

The following command displays all statistics related to the SBc service. These statistics can be filtered based on CBC association (peer-id) or SBc service name.

```
show sbc statistics { all | peer-id peer_id | sbc-service-name sbc_svc_name }
```

### **show mme-service statistics slap**

The following command displays S1-AP statistics related to the SBc interface. See the lines for Kill Request and Kill Response in the example below:

```
SlAP Statistics:
  Transmitted SlAP Data:
    Kill Request: 0      Write-Replace Warning Request: 0
  Received SlAP Data:
    Kill Response: 0    Write-Replace Warning Response: 0
```

## Event Logging

Event logging for the SBc interface can be enabled using the following command:

```
logging filter active facility sbc level severity_level
```

See the *System Logs* chapter of the *System Administration Guide* for more information about event logging.





# CHAPTER 19

## Cell Traffic Trace

The Cell Traffic Trace feature for subscriber and equipment tracing provides detailed information at the call level on one or more UEs and serves as an additional source of information (along with Performance Measurements) for monitoring and optimization operations.

This chapter describes MME support for Cell Traffic Trace.



---

**Important** The Cell Traffic Trace feature is intended only for limited debugging and not for wide-scale deployment.

---

- [Feature Summary and Revision History, on page 245](#)
- [Feature Description, on page 246](#)
- [How It Works, on page 247](#)
- [Configuring Cell Traffic Trace, on page 251](#)
- [Monitoring and Troubleshooting the Cell Traffic Trace, on page 256](#)

## Feature Summary and Revision History

### Summary Data

Applicable Product(s) or Functional Area	MME
Applicable Platform(s)	<ul style="list-style-type: none"><li>• ASR 5500</li><li>• VPC-DI</li><li>• VPC-SI</li></ul>
Feature Default	Disabled - Configuration Required
Related Changes in This Release	Not applicable
Related Documentation	<ul style="list-style-type: none"><li>• <i>Command Line Interface Reference</i></li><li>• <i>MME Administration Guide</i></li><li>• <i>Statistics and Counters Reference</i></li></ul>

**Revision History**

Revision Details	Release
The Cell Traffic Trace feature enables eNodeB to support real time cell traffic tracing in this release.	21.6
First introduced.	Pre 21.2

## Feature Description

The Cell Traffic Trace feature, for subscriber and equipment tracing, provides detailed information at the call-level on one or more UEs and serves as an additional source of information (along with Performance Measurements) for monitoring and optimizing operations.




---

**Important** This feature is intended only for limited debugging and not for wide-scale deployment.

---

The Cell Traffic Trace feature provides a 3GPP standard-based cell trace function for tracing all calls in a single cell or multiple cells. Cell Tracing provides the capability to log on to data on any interface at a call level for a specific user or mobile type or a service initiated by a user. In addition, Cell Tracing provides instantaneous values for a specific event.

Trace activation/deactivation is administered by an entity called an Element Manager (EM) on the Network Elements (NE) that comprise the network. The NE generate the trace data or results and transfers the information to a Trace Collection entity (TCE). Trace activation/deactivation can be of two types:

- Management Activation/Deactivation - Trace activated/deactivated in different NEs directly by using the management EM.
- Signaling based Activation/Deactivation - Trace activated/deactivated in different NEs using signaling interfaces between them. The NEs forward the activation/deactivation originating from EM.

In an EPS network, trace is enabled on the following NE: eNodeB, MME, SGW, PGW, HSS, EIR and so on. Cell Traffic Trace enables tracing of all active at one or more Cells in eNodeBs.

A valid license key is required to enable Cell Traffic Trace. Contact your Cisco Account or Support representative for information on how to obtain a license.

## Real Time Cell Traffic Tracing

The Cell Traffic Trace feature is enhanced to support real time cell traffic tracing.

MME will generate XML files for cell tracing of UEs at a rate equivalent to the CEPS (Call Events Per Second) supported on MME. MME will push out XML files to the configured Trace Collection Entity (TCE) so that cell tracing can be enabled on eNodeB and the correlation data from MME is received at TCE in real time.

Real time cell traffic tracing enhancement requires a valid feature license. Enabling and disabling real time cell traffic trace is CLI controlled.

For more information, refer to the [Architecture](#), on page 247 and [Configuring Cell Traffic Trace](#), on page 251 sections in this chapter.



## How It Works

When Cell Traffic Trace is activated in the monitored cell(s) of E-UTRAN, the eNodeB starts a Trace Recording Session for new calls/session and also for existing active calls/session. A Trace Recording Session Reference (TRSR) is allocated by eNodeB for each of the monitored call/session. The TRSR includes the TRSR reference along with the Trace Reference and TCE address in the CELL TRAFFIC TRACE message to the MME over S1 connection.

Cell Traffic Trace Procedures are used at the MME to assist the TCE Server in correlating the Trace Reference (generated by EM) and Trace Recording Session Reference (generated by the eNodeB) with the IMSI, IMEI (SV) corresponding to the traced session as the eNodeBs only have access to temporary UE identities and not permanent identities (IMSI, IMEI (SV)).

Cell Traffic Trace involves the following nodes:

- Network Element (NE): Network elements are the functional component to facilitate subscriber session trace in mobile network. The term network element refers to a functional component that has standard interfaces in and out of it. It is typically shown as a stand-alone AGW. Examples of NEs are the MME, S-GW, and P-GW.
- Element Manager (EM): The Element Manager (EM) forwards the globally unique Trace Reference to each eNodeB.
- eNodeB
- MME and
- Trace Collection Entity (TCE) server

The Cell Traffic Trace feature operates sequentially and is classified into two stages:

- Trace Files management - Creation of Trace files, renaming and moving trace files to respective directories, compression and archiving of trace files. The configuration for this process is discussed in the Configuring Cell Traffic Trace section.
- Decompression - This process is executed to extract compressed and archived files. The files are named by a **.gz** extension. It is highly recommended to use tar for the decompression process. The command syntax to decompress the trace files is as follows: **Syntax: tar -zxf <file\_name>.gz**



---

**Note** Compression or decompression of files is not supported for real time cell tracing as these operations take more time and real time performance will not be achieved.

---

## Architecture

This section describes the architecture for both legacy cell traffic tracing and real time cell traffic tracing.

### Cell Traffic Tracing

MME supports the following in Cell Traffic Trace:

- When MME receives a Cell Traffic Trace message from eNodeB, it extracts the Trace Reference and Trace Recording Session Reference, and checks for the IMSI and IMEI if present, from the S1 AP ID.
- The MME send the IMSI, IMEI if present, and the Trace References received in a Cell Traffic Trace to the TCE. The TCE address is received in the Cell Traffic Trace signal from eNodeB.
- The MME complies with data formats of Trace Reference, Trace recording Session Reference and TCE Address.

The Cell Traffic Trace operation takes place in the following stages:

#### Stage 1: Creation of trace files on expiry of Collection Timer

- A list is initialized at the session manager to store relevant information of all the incoming cell trace messages.
- Once the collection timer expires, the session manager gathers all the cell traces into a file, which has a temporary name, and writes it to the hard-disk.

#### Stage 2: Renaming and moving the files to archive directories by session trace

- The session trace renames these temporary filenames to C Type filenames. The C Type file name is a modified version of the 3gpp specification. A suffix is added to every C type file. Thus starting from 1 the suffix ends at 4294967295. After reaching the maximum limit, then the suffix restarts from 1. The files are then moved to the directories.

For example, refer to the file name given below:

```
©20150520.0137-0400-MME.RTPBNGASR5KCH78.21436500008D-1C20150529.0231-0400-MME.RTPBNGASR5KCH78.3143650000FF-4294967295
```

The C Type file format is modified to provide additional trace information with a trace extension, which has three additional fields such as eNodeB ID, UE S1 AP identity and the MME UE S1 AP identity.

- A new archive directory is created by the session trace when the previous directory is full. The syntax for the new directory is as follows: Syntax: <nodename>.<time-stamp in seconds>.<tce\_index>.<file-counter>. For example:

```
RTPBNGASR5KCH78.555ac613.1.1
```

- If the cell trace messages are meant to be for two different TCE's, then a second directory would be created and the files are moved to their directories respectively.

#### Stage 3: Compression and Archiving files to directories by session trace

- Session trace waits for a configured file count or timer expiry or directory size to be reached before archiving the directories.
- Once the archive directories are full, the session trace archives or compresses these directories and moves them to the final directories.

The above mentioned files and are monitored and processed to their final directories based on the following timers:

- **Collection timer:** This timer is configurable, and the timer ranges from 0 - 255 seconds. The collection timer is triggered by the session manager. Once the timer expires, the session manager writes the files to the staging location in the hard disk. After all files are written, a messenger call is sent from session manager to session trace indicating the details of the new file.

- **Archive trigger timer:** This timer is configurable, and the timer ranges from 1 to 3600 seconds. The Archive timer is triggered by the session trace. This timer is a safety mechanism to make sure archive directories are closed and sent for compression and archiving.

## Real Time Cell Traffic Tracing

The Cell Traffic Trace feature is enhanced to support real time cell traffic tracing.

MME will generate XML files for cell tracing of UEs at a rate equivalent to the CEPS (Call Events Per Second) supported on MME. MME will push out XML files to the configured Trace Collection Entity (TCE) so that cell tracing can be enabled on eNodeB and the correlation data from MME is received at TCE in real time.

- MME-APP sends cell trace records to the CDRMOD procllet to queue the records. When the queue size reaches a limit or when a timer expires, the CDRMOD instance writes all records to an XML file.
- CDRMOD writes the real time trace records to the RAM disk on PSC.
- The HDCTRL task moves the realtime trace record files from RAM disk to Hard Disk.
- The cell trace record files can be pushed only from Hard Disk to an external server.

### Record Buffering and File Generation

The generation of cell traffic trace records are supported in both single-mode and multi-mode. It is recommended to run the Call Detail Records Module (CDRMOD) in multi-mode for enhanced performance in comparison to existing cell trace using SESSTRC.

The CDRMOD supports two modes of execution — single-mode and multi-mode. By default, CDRMOD runs in single-mode.

- **Single Mode:** In this mode, only one instance of CDRMOD will be running for the entire chassis. All the sessmgr instances that are running on a PSC will send the records to the CDRMOD instance.
- **Multi Mode:** In this mode, there will be one instance of CDRMOD per PSC card. All the sessmgr instances that are running on a PSC will send the records to the CDRMOD instance running on that card. This will enhance the file transfer performance as the CDRMOD instances running on each card are sending files to an external server in parallel.

The existing CDRMOD functionality is extended to handle cell traffic trace records. CDRMOD functionality for cell trace module is as follows:

- Cell trace records received from MME are stored in the list
- XML file is generated from the records stored in the list when one of the following trigger is hit:
  - Expiry of file rotation time
  - Buffer list is reached to the configured file rotation num records

Currently only one skip list is used to store the records received from all eNodeBs. Archiving and compression of file is not supported.

**File Name Format:** The C type file name is a modified version of the 3GPP specification. The below suffix is added to every C type file.

1. CDRMOD instance ID (first 3 digits)

2. Unsigned integer number starting from 1 to 4294967295. After reaching the maximum limit, the suffix restarts from 1 (last digit).

For example: C20150520.0137-0400-MME.RTPBNGASR5KCH78.21436500008D-0011

C20150529.0231-0400-MME.RTPBNGASR5KCH78.3143650000FF-0014294967295

Trace file extensions: To keep parity with the existing cell trace feature, the **trace cell-traffic trace-extension enb-id ue-s1ap-id** option is configured to enable the trace file extension.

### Record Transfer

Cell trace records files are stored in local hard-disks and transferred via SFTP to an external server periodically using the PULL or PUSH model.

The CDRMOD supports two modes of record transfer:

- PULL: This model will not be used for cell trace records.
- PUSH: Cell trace files will be pushed to the configured external server periodically.

### Record Storage

The cell trace files are initially generated in RAMFS on the PSC card. If the hard disk is configured with **cell-trace use-hard-disk** command, the files will be moved to hard disk on the SMC card. The HDCTRL proctel is responsible for transferring completed cell trace files from the RAMFS of PSC to the SMC hard disk. For the transfer, CDRMOD registers with HDCTRL when **cell-trace use hard-disk** configuration is enabled.

### Limitations and Restrictions

The limitations and restrictions with this enhancement include:

- Generation of realtime trace records are supported in both single-Mode and multi-Mode. It is recommended to use multi-mode.
- Chassis reboot is required to run CDRMOD in multi-mode.
- If one module is configured in a context, then other modules must also be configured in the same context.
- If the "use-harddisk" and "remove-file-after-transfer" options are configured for one module, it will be applicable for all the modules.

## Limitations

Decompression of the trace files using gzip or gunzip may cause file corruption depending on the system platform used, for example: Linux, Mac and so on

## Standards Compliance

The Cell Traffic Trace feature complies with the following standards:

- 3GPP TS 36.413 Release 10, S1 Application Protocol (S1AP)
- 3GPP TS 32.422 Release 10, Trace control and configuration management
- 3GPP TS 32.423 Release 10, Trace data definition and management

# Configuring Cell Traffic Trace

This section documents configuration of Cell Traffic Trace and its related functionality.

## Configuring Trace Files Storage

The configuration provided in the below section is used to store the cell traffic trace files locally or on a TCE server.

The commands illustrated below configure the Cell Traffic Trace. In support of the Cell Trace feature, the **enb** keyword has been added, which monitors the traffic from the eNodeB network element. The configuration also includes archiving and compression parameters to archive and compress trace files into their directories.

### Local Storage

To store the trace files locally, use the following configuration:

```
configure
  session trace network-element enb tce-mode none collection-timer
  timer_value
  [ no ] session trace network-element enb
end
```

Notes:

All parameters are new to the Cell Traffic Trace feature. For information on these parameters refer to the **session trace** command in the *Command Line Interface Reference*.

### TCE Server Storage

To store the trace file on a TCE server, use the following configuration:

```
configure
  session trace network-element enb tce-mode push transport sftp path
  server_path_name username user_name [ encrypted ] password user_password
  collection-timer timer_value
  [ no ] session trace network-element enb
end
```

Notes:

All parameters are new to the Cell Traffic Trace feature. For information on these parameters refer to the **session trace** command in the *Command Line Interface Reference*.

## Configuring Cell Traffic Trace Template - Archiving and Compressing Trace Files

The configuration provided in this section is used to archive and compress trace files into their directories.

This command creates a template with parameters that configure archiving and/or compression for the files generated by Cell Traffic Trace. Defining this template and archiving and/or compression of files is optional when setting up Cell Traffic Trace. The **enb** keyword processes Cell Traffic Trace in the MME.

```

configure
  template-session-trace network-element enb template-name cell-trace
    [ no ] disk-limit disk_size
    [ no ] archive files number_of_files size size timer timer_value

    [ no ] trace-extension enb-id ue-slap-id
  end

```

Notes:

- **cell-trace** indicates the template name 'cell-trace' for storage of the eNodeB cell trace storage parameters. Note that you cannot define a template name - there is only one template and its name is 'cell-trace'.
- **disk-limit** *disk\_size* is measured in megabytes (MB). This keyword defines the total space to be reserved on the hard disk. If disk-limit alone is configured then compression is not considered. The disk-limit size ranges from 1 MB to 20480 MB. If disk-limit is not configured, a default size of 200 MB is allocated in the hard disk for storing Cell Trace files.
- **archive** allows you to define the archive directory and the archive parameters.
  - **files** *number\_of\_files* defines the maximum number of files that can be archived in the directory. When the limit is reached, the archive closes. The range is an integer from 1 to 10000.
  - **size** *size* defines the directory limit in MB. The range is an integer from 1 to 10
  - **timer** *timer\_value* defines the total time in seconds before the pending directories are archived. The range is an integer from 1 through 3600.
- The **trace-extension** keyword defines the UE or eNodeB identity extension parameters for the C Type files.
  - The **enb-id** keyword is an additional field in the C Type file that identifies the global eNodeB entry.
  - The **ue-s1ap-id** keyword is an additional field in the C Type file that identifies the eNodeB ID, UE S1 AP identity and the MME UE S1 AP identity.

## Enabling Cell Traffic Tracing

Use the following configuration to enable realtime cell traffic tracing for eNodeBs in MME service.

The **trace cell-traffic** CLI command is license controlled and uses the legacy Session Trace license.

```

configure
  context context_name
    mme-service service_name
      trace cell-traffic [ trace-extension enb-id ue-slap-id ]
      no trace cell-traffic
    end

```

Notes:

- **trace**: Specifies the trace configuration for MME.
- **cell-traffic**: Specifies the configuration for eNodeB cell traffic tracing.
- **trace-extension**: Defines the UE or eNodeB identity extension parameters.
- **enb-id**: Specifies the Global eNodeB Identity.
- **ue-s1ap-id**: Specifies the eNodeB UE S1AP Identity and MME UE S1AP Identity.

- **no**: Disables real time cell tracing for eNodeBs.

## Configuring Cell Trace Module

Use the following configuration to create, configure, or delete the Cell Trace module for real time cell traffic tracing in a context.

The user must be in a non-local context when specifying the **cell-trace-module** command.

```

configure
  context context_name
    [ no ] cell-trace-module
      cell-trace { purge { { storage-limit storage_limit | time-limit
time_limit } [ max-files max_files ] } | push-interval interval | push-trigger
{ space-usage-percent usage_precent } | remove-file-after-transfer |
transfer-mode { pull [ module-only ] | push primary { encrypted-url enc_url
| url url [ module-only ] } | use-harddisk }
      file [ delete-timeout seconds | directory directory_name |
field-separator [ hyphen | omit | underscore ] | rotation { num-records
num_records | time rotation_time } | storage-limit storage_limit |
trap-on-file-delete }
      default { cell-trace [ purge | push-interval | push-trigger |
remove-file-after-transfer | transfer-mode | use-harddisk ] | file [
delete-timeout | directory | field-separator | rotation { num-records |
time } | storage-limit | trap-on-file-delete ] }
    end

```

Notes:

- **cell-trace-module**: Creates the module for real time cell traffic tracing.

Once the realtime trace module is configured, the real time trace file transfer parameters can be configured.

Entering the **cell-trace-module** command results in the following prompt and changes to the Cell Trace Module Configuration mode:

```
[context_name]host_name(config-cell-trace)#
```

- **no**: Removes the real time trace module configuration for the current context.
- **cell-trace { purge { { storage-limit storage\_limit | time-limit time\_limit } [ max-files max\_files ] }**: Specifies to purge or delete the cell trace records based on "time" or "volume" to restrict hard-disk space usage for cell trace records.

**storage-limit storage\_limit**: Specifies the storage space for the record files, in megabytes. *storage\_limit* must be an integer from 10 to 143360.

**time-limit time\_limit**: Specifies the time to delete record files, in seconds. *time\_limit* must be an integer from 600 to 2592000.

**max-files max\_files**: Specifies the maximum number of records to purge per iteration. *max\_files* must be an integer 0 or ranging from 1000 to 10000. When value is set to 0, it deletes all records until purge limit is reached.

By default, no purge operation is performed by the VPNMGR module.

- **cell-trace push-interval** *interval*: Specifies the transfer interval in seconds to push cell traffic trace files to an external file server. *interval* must be an integer from 1 to 30.

Default: 1 second

- **cell-trace push-trigger { space-usage-percent usage\_precent }**: Configures the disk utilization trigger for cell traffic trace files.

**space-usage-percent** *usage\_precent*: Specifies the disk utilization percentage for triggering PUSH. *usage\_precent* must be an integer from 10 to 80.

- **cell-trace remove-file-after-transfer**: Deletes the files from RAMFS after transfer to an external server. If the **cell-trace use-harddisk** command is not configured, it is recommended to use this command.

- **cell-trace transfer-mode { pull [ module-only ] | push primary { encrypted-url enc\_url | url url } [ module-only ] }**: Configures the transfer mode for cell trace record files. Only one TCE address configuration is required and all files will be sent to this address irrespective of the TCE address received from eNodeB in S1AP cell tracing message. Both the addresses must be the same mostly.

**pull [ module-only ]**: Specifies that L-ESS pulls the cell trace files.

**push primary { encrypted-url enc\_url | url url } [ module-only ]**: Specifies that ST pushes the cell trace files onto the configured L-ESS server. *enc\_url* specifies the location where the cell trace files will be transferred and must be entered in encrypted format. *url* specifies the location where the cell trace files will be transferred and must be entered in the server URL format *scheme://user:password@host:[port]/directory* - string of size 1 to 1024.

If the **module-only** keyword is set, then the given configuration is applied only for the specific record type. The administrator can configure record transfer information for all record types separately or combined using the **module-only** keyword.

- **cell-trace use-harddisk**: Moves the cell trace files from RAMFS to */hd-raid/* and then transferred to an external server. It is recommended to use this command to prevent space on RAMFS becoming full.
- If multiple modules are configured, then the **cell-trace use-harddisk** option must be configured in only one of the modules. All other modules (which do not have the **use-harddisk** option configured) will use the hard disk by default. The other modules will also inherit the PUSH parameters of the module with **use-harddisk** option configured. If these modules need different PUSH parameters like *url* and *push-interval* as compared to the module with **use-harddisk** option, then the **module-only** keyword must be configured.

For **cell-trace-module**, the minimum value of *push-interval* is 1 second. For all other modules, the minimum value of *push-interval* is 30 seconds. Hence, to avoid undesired behavior:

- If **use-harddisk** is configured for **cell-trace-module**, then **module-only** option must be configured while configuring the file transfer URL for all other modules.

For example:

```
configure
  context context_name
    cell-trace-module
      cell-trace use-harddisk
      cell-trace transfer-mode push primary url
      sftp://user:password@host:[port]/directory
      cell-trace push-interval 1
    end
```



```

configure
  context context_name
    udr-module active-charging-service
      cdr transfer-mode push primary url
      sftp://user:password@host:[port]/directory module-only
      cdr push-interval 30
    end

```

The above configuration will ensure that push-interval = 1 second is not inherited from cell-trace-module and the correct push-interval = 30 seconds is used for udr-module.

- If **use-harddisk** option is configured for any other module except cell-trace-module, then **module-only** option must be configured while configuring the file transfer URL for cell-trace-module.

For example:

```

configure
  context context_name
    udr-module active-charging-service
      cdr use-harddisk
      cdr transfer-mode push primary url
      sftp://user:password@host:[port]/directory
      cdr push-interval 30
    end

```

```

configure
  context context_name
    cell-trace-module
      cell-trace use-harddisk
      cell-trace transfer-mode push primary url
      sftp://user:password@host:[port]/directory module-only
      cell-trace push-interval 1
    end

```

The above configuration will ensure that push-interval = 30 sec is not inherited from udr-module and the correct push-interval = 1 sec is used for cell-trace-module.

- **file delete-timeout** *seconds*: Configures the time to delete the completed cell traffic trace files after specified number of seconds. *seconds* must be an integer from 3600 through 31536000.
- **file directory** *directory\_name*: Specifies a subdirectory to be generated in the default directory */records/celltrace* in which to store EDR files. *directory\_name* must be an alphanumeric string of 1 through 191 characters.
- **file field-separator** { **hyphen** | **omit** | **underscore** }: Specifies the field inclusion/exclusion type of separators between two fields of cell trace files.
  - **hyphen**: Specifies to use "-" (hyphen) as the field separator between file format fields.
  - **omit**: Excludes the field separator.
  - **underscore**: Specifies to use "\_" (underscore) as the field separator between file format fields.
- **file rotation** { **num-records** *num\_records* | **time** *rotation\_time* }: Specifies the criteria to rotate the record file. CDRMOD will hold the cell trace records in buffer and write them to the XML file only when the criteria configured by this command are met.

**num-records** *num\_records*: Completes the file when the specified number of records are added. When the number of records in the buffer reaches the specified value, records will be written to the XML file. *num\_records* must be an integer from 100 to 2000. Default: 1000.

**time** *rotation\_time*: Completes the file based on file duration, time after which records will be written to XML file. *num\_records* must be an integer from 1 to 30. Default: 1 second.

- **file storage-limit** *storage\_limit*: Configures the total available storage space on RAMFS for cell trace files. *storage\_limit* must be an integer from 10485760 to 134217728. When the storage space is full, the oldest files on RAMFS will be deleted first to create space for new files.
- **file trap-on-file-delete**: Instructs the system to send an SNMP notification (starCDRFileRemoved) when a cell trace file is deleted due to lack of space.
- **default**: Configures the default value(s) for the cell trace parameters.

## Verifying the Cell Traffic Trace Configuration

The following command is used to display/verify the parameters for Cell Traffic Trace from the eNodeB network element.

```
show session trace template network-element enb template-name cell-trace
```

On running the above mentioned show command the following statistics are displayed:

```
Template name: cell-trace
NE Type: ENB
Cell Trace file Extension entries: GLOBAL-ENB-ID ENB-UE-S1AP-ID MME-UE-S1AP-ID
Storage Parameters for Archiving Cell trace files:
Disk Storage Limit: 200 MB
Files per Archive Directory: 4000
Total size per Archive directory: 3 MB
Archive directory timeout: 300 seconds
```

## Monitoring and Troubleshooting the Cell Traffic Trace

The following section describes commands available to monitor Cell Traffic Trace on the MME.

### Cell Traffic Trace Show Command(s) and/or Outputs

#### show cell-trace-module file-space-usage

The following new fields are added to the output of this command to display the file space usage information for the cell trace module.

These statistics are also available as part of the **show cdr file-space-usage** command output.

- CDRMOD Instance Id — Displays the CDRMOD instance identifier.
- Cell-Trace File Storage Limit — Displays the configured storage limit for cell trace files, in bytes.
- Cell-Trace File Storage Usage — Displays the storage space utilized for cell trace files, in bytes.
- Percentage of Cell-Trace file store usage — Displays the percentage of storage space utilized for cell trace files.

## show cell-trace-module statistics

The following new fields are added to the output of this command to display the cell trace module counters and statistics.

These statistics are also available as part of the **show cdr statistics** command output.

- CDRMOD Instance Id — Displays the CDRMOD instance identifier.
- Cell-Trace Specific Statistics:
  - Cell-Trace-module files rotated — Displays the total number of cell trace files rotated.
  - Cell-Trace-module files rotated due to time limit — Displays the number of cell trace files rotated due to time limit (when "file rotation num-records <num\_records>" condition is hit).
  - Cell-Trace-module files rotated due to records limit — Displays the number of cell trace files rotated due to records limit (when "file rotation time <rotation\_time>" condition is hit).
  - Cell-Trace-module file rotation failures — Displays the total number of times rotation failed for cell trace files.
  - Cell-Trace-module files deleted — Displays the number of cell trace files deleted.
  - Cell-Trace-module records deleted — Displays the number of cell trace records deleted.
  - Cell-Trace-module records received — Displays the number of cell trace records received.
  - Time of last Cell-Trace-module file deletion — Displays the date and time of last cell trace file deleted.
- Cell-Trace-module PUSH Statistics:
  - Successful File Transfers — Displays the number of successful file transfers.
  - Failed File Transfers — Displays the number of failed file transfers.
  - Num of times PUSH initiated — Total number of times a cell trace PUSH attempt was initiated.
  - Num of times PUSH Failed — Total number of times a cell trace PUSH attempt failed.
  - Num of times PUSH cancelled due to HD failure — Total number of times cell trace PUSH operation was cancelled due to hard disk failures.
  - Num of periodic PUSH — Displays the number of periodic PUSH operations.
  - Num of manual PUSH — Displays the number of manual PUSH operations.
  - Current status of PUSH — Displays the current status of the PUSH operation – Running/Not Running.
  - Last completed PUSH time — Displays the date and time of the last PUSH operation completed.

## show mme-service name <mme\_svc\_name>

The following new fields are added to the output of this command:

- Cell Tracing — Indicates whether realtime cell tracing is enabled or disabled.

- Trace Extension — Indicates whether cell trace extension is enabled or disabled.

## show session trace statistics

On running the above mentioned show command, statistics similar to the following are displayed:

```
Interface not traced: 0
Total number of file generated: 25541
Number of Cell Traffic Trace files generated: 25541
Total archive files: 7
Avg Time in secs, for archiving one directory: 2.247592
Avg Time in secs, for Moving one C type file: 0.0200471
Avg files per archive directory: 3648
Frequency of Archiving Triggers:
    Files: 5
    Size: 1
    Time-out: 1
```



## CHAPTER 20

# Closed Subscriber Groups

- [Feature Description, on page 259](#)
- [How It Works, on page 259](#)
- [Configuring Closed Subscriber Groups, on page 264](#)
- [Monitoring and Troubleshooting Closed Subscriber Groups, on page 265](#)

## Feature Description

The MME provides support for Closed Subscriber Groups (CSG). This enables the MME to provide access control and mobility management for subscribers who are permitted to access one or more CSG cells of the PLMN as a member of the CSG for a Home eNodeB (HeNB).

A CSG ID is a unique identifier within the scope of the PLMN which identifies a Closed Subscriber Group in the PLMN associated with a CSG cell or group of CSG cells.

The MME performs access control for CSG a UE will not be permitted to access the network through a CSG cell unless either the UE's subscription data includes the same CSG ID as the CSG cell, or if the CSG cell is operating in hybrid mode. The MME also optionally reports the UE's CSG information to the S-GW/P-GW, based on the MME's CLI mme-service configuration. The S-GW/P-GW, in turn, informs the MME when it should report user CSG information.

## How It Works

Closed Subscriber Group functionality is comprised of three main components, each are described in this section.

- [Access Control, on page 259](#)
- [CSG Notification to S-GW/P-GW, on page 261](#)
- [CSG Status Communication to Peer MME/SGSN, on page 262](#)

## Access Control

The MME performs CSG-based access control by examining the CSG cell information provided by the eNodeB through the S1AP interface for a UE connection or handover attempt, and comparing that to the CSG subscription data for that UE provided by the HSS through the S6a interface. CSG-based access control affects the following S1AP and S6a messages and messaging:

## S1AP Messaging



**Important** For additional security, the S1AP connections between the MME and the eNBs may be secured through IPsec.

- **S1 Setup Request** If the eNB sending the S1 Setup Request supports one or more CSG cells, the S1 Setup Request will contain the CSG IDs of the supported CSGs. The MME will store the CSG IDs as part of the data pertaining to the eNB.
- **eNB Configuration Update** If the eNB sending the eNB Configuration Update supports one or more CSG cells, the eNB Configuration Update will contain the CSG IDs of the supported CSGs, which may or may not have changed from those sent in the S1 Setup Request. The MME will overwrite the stored CSG IDs for that eNB with the list contained in the eNB Configuration Update.
- **Initial UE Message** If the establishment of the UE-associated logical S1-connection is performed due to a connection originating from a CSG cell, the CSG ID is included in the Initial UE Message. If the establishment of the UE-associated logical S1-connection is performed due to a connection originating from a Hybrid cell, the CSG ID and the Cell Access Mode IE are included in the Initial UE Message. The MME stores the CSG ID and Cell Access Mode in the UE context. If the UE context already exists, the MME overwrites the existing CSG ID and Cell Access Mode with the new data, or clears the CSG ID and Cell Access Mode if the CSG ID is not present in the message. The CSG ID is checked against the subscription data from the HSS to determine if the UE is a member of the CSG. If the UE is not a member, and the cell is not a hybrid cell, access is denied.
- **Initial Context Setup Request** If the cell is a hybrid cell, the Initial Context Setup Request from the MME contains a CSG Membership Status IE indicating whether the UE is a member of the cell's CSG.
- **UE Context Modification Request** A UE Context Modification Request from the MME contains a CSG Membership Status IE if the cell has a CSG ID (if the cell is either a CSG cell or a hybrid cell). The MME sends a UE Context Modification Request indicating CSG Membership Status is Non-member if the HSS sends a Delete Subscriber Data Request with DSR Flags indicating that CSG subscription data is being deleted. The MME also sends a UE Context Modification Request indicating CSG Membership Status is Non-member if the CSG subscription data for the CSG in question includes an Expiration Date AVP and the time indicated by the AVP has been reached.
- **Paging** The Paging message may contain a list of one or more CSG IDs. If the MME includes this list, the eNodeB avoids paging the UE at CSG cells whose CSG ID does not appear in the list. If the UE has CSG IDs in its subscription data, the MME includes the intersections of the eNodeB's CSG ID list and the subscriber's CSG ID list in the Paging message whenever that UE is being paged.
- **Handover Required** The Handover Required message may contain a CSG ID if it does, there may also be a Cell Access Mode IE which indicates the target cell is a hybrid cell. When the MME receives a Handover Required message with a CSG ID, it uses the UE's subscription data to determine if the UE is a member of the CSG in question. If the UE is not a member and the cell is not a hybrid cell, the MME refuses the handover attempt. Otherwise, the MME conveys the CSG information to the target system.
- **Handover Request** If the MME is sending a Handover Request message, a CSG ID is included in the message if the target has been specified as either a CSG cell or hybrid cell with the CSG ID in question. If the cell has been specified as a hybrid cell, the MME also includes a CSG Membership Status IE in the Handover Request as well.
- **Handover Request Ack** If the Handover Request contains both a CSG ID and a CSG Membership Status IE, but the target cell in question is a hybrid cell that broadcasts a different CSG ID, the actual CSG ID

of the cell shall be included in the Handover Request Ack. Upon receipt of such a message, the MME changes the CSG ID of the UE, marks the target cell as being a hybrid cell, and considers the UE to be a non-member of the CSG. Note that the MME may later discover via subscription data from the HSS that the UE is actually a member of the CSG in question if so, it sends a UE Context Modification Request indicating that the UE is a member of the CSG. Note also that if the Handover Request contains a CSG ID and the target cell broadcasts a different CSG ID and is not a hybrid cell, the eNB sends a Handover Failure message, not a Handover Request Ack.

## S6a Messaging

- **Update Location Ack** Messages from the HSS contain the UE's subscription data, which may include CSG subscription data. CSG subscription data consists of one or more CSG IDs, each of which may also have an associated expiration date. The CSG IDs are interpreted within the context of the PLMN ID sent to the HSS in the Visited-PLMN-ID AVP in the Update Location Request message. The CSG subscription data is stored in the UE's database entry along with the rest of the UE subscription data. The MME stores up to eight CSG IDs per UE. The MME uses the CSG subscription data to determine membership in a given CSG by comparing the CSG ID of the current cell against the CSG IDs in the subscription data.
- **Delete Subscriber Data Request** The HSS can indicate to the MME to delete the stored CSG subscription data by sending a Delete Subscriber Data Request message with the CSG Deleted bit set in the DSR flags. If this happens, and the UE is currently connected to a cell where it was a CSG member, the MME sends a UE Context Modification Request indicating that the UE is no longer a CSG member. The MME is responsible for enforcing the expiration date (if any) for a given CSG as indicated in the CSG subscription data. If the CSG subscription expires, the MME must send a UE Context Modification Request indicating that the UE is no longer a CSG member.

## CSG Notification to S-GW/P-GW

The MME informs the P-GW whether it supports CSG change notification by setting the CSG Change Reporting Support Indication (CCRSI) flag. MME support for CSG change notification can be enabled or disabled. If it is enabled, the P-GW, based on input from the PCRF, determines if CSG change notification is required by sending the CSG Information Reporting Action IE to the MME.

CSG notification to the S-GW/P-GW affects the following S11 messages and messaging:

- **Create Session Request** The Indication IE in the Create Session Request contains a CSG Change Reporting Support Indication (CCRSI) flag, which is set when the MME is configured to support CSG information change reporting to the S-GW/P-GW. If the UE is attached through a CSG or hybrid cell, the User CSG Information (UCI) IE is included in the Create Session Request. The User CSG Information IE contains the PLMN and CSG ID of the CSG or hybrid cell in question, the access mode (closed or hybrid), and if the access mode is hybrid, the membership status of the UE in the CSG.
- **Create Session Response** The P-GW/S-GW will send the CSG Reporting Information IE in the Create Session Response if CSG information reporting is to be started or stopped. This IE includes three bits that indicate whether the MME should report when the UE enters or leaves a CSG (non-hybrid) cell, a subscribed hybrid cell, or an unsubscribed hybrid cell. If all three bits are set to zero, all CSG information reporting to the S-GW/P-GW is stopped. The MME stores the CSG reporting information as part of the PDN context, since the reporting requirements may be different on different P-GWs.
- **Create Bearer Request** The Create Bearer Request message from the P-GW/S-GW may include a CSG Reporting Information IE if CSG reporting from the MME is to change. The MME stores the CSG reporting information as part of the PDN context in question.

- **Modify Bearer Request** The CCRSI flag in the Indication IE is set in a Modify Bearer Request when the MME is configured to support CSG information change reporting to the S-GW/P-GW. If the P-GW/S-GW has requested CSG information reporting and a TAU, Handover, or UE-initiated Service Request is taking place, the MME includes the User CSG Information IE in the Modify Bearer Request message.
- **Update Bearer Request** The Update Bearer Request message from the P-GW/S-GW may include a CSG Reporting Information IE if CSG reporting from the MME is to change. The MME stores the CSG reporting information as part of the PDN context in question.
- **Change Notification Request** The MME sends a Change Notification Request to the S-GW/P-GW for each PDN where it is requested, if a change to the CSG connection information changes without requiring either a Create Bearer Request or Modify Bearer Request. The Change Notification Request contains a User CSG Information IE. Since Location Reporting also uses the Change Notification Request message, the MME minimizes the number of Change Notification Request messages sent by bundling the reporting of a location change with a CSG change into the same message whenever possible.
- **Change Notification Response** The Change Notification Response message from the P-GW/S-GW may include a CSG Reporting Information IE if CSG reporting from the MME is to change. The MME stores the CSG reporting information as part of the PDN context in question.

## CSG Status Communication to Peer MME/SGSN

The MME indicates its ability to report location information using the "CSG Change Reporting Support Indication" which is a part of the indication flags parameter.

CSG status communication to a peer MME or SGSN affects the following S10 and S3 messages and messaging:

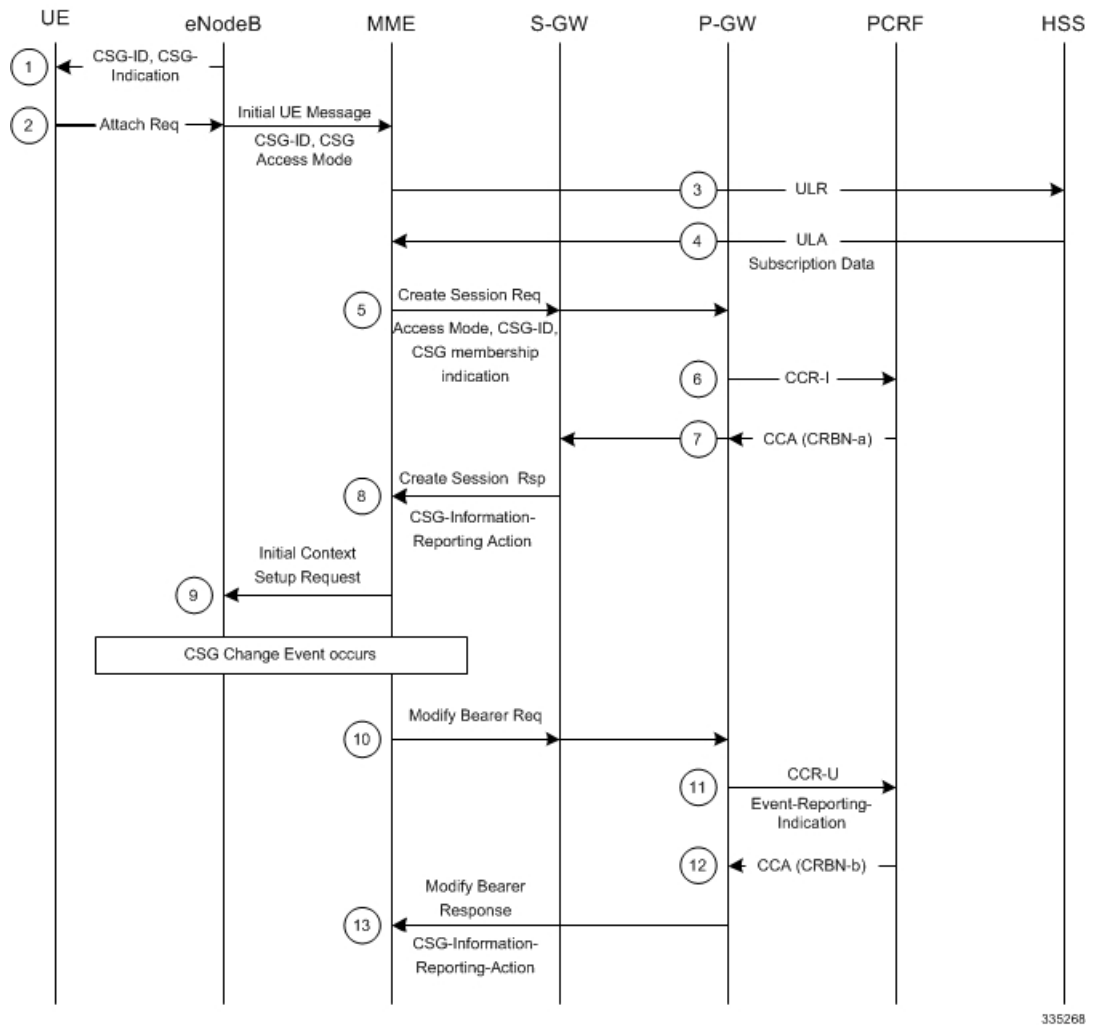
- **Forward Relocation Request** If the source MME or SGSN supports CSG information change reporting, the CCRSI flag is set in the Indication IE in a Forward Relocation Request message from that MME or SGSN. If the source eNB or RNC included a target CSG ID as part of the Handover Required message, the source MME or SGSN include that CSG ID in a CSG ID IE in the Forward Relocation Request. If the source eNB or RNC indicated that the target cell is a hybrid cell, the source MME or SGSN determine whether the UE is a member of the CSG and include the CSG Membership Indication IE in the Forward Relocation Request. (A Forward Relocation Request that contains a CSG ID IE but no CSG Membership Indication IE indicates that the target cell is a closed CSG cell.) The PDN Connection IE(s) in the Forward Relocation Request will contain a CSG Information Reporting Action IE if the P-GW/S-GW had previously sent it to the source MME or SGSN for the PDN in question.
- **Context Response** If the old MME or SGSN in a Context Request/Response/Ack exchange supports CSG information change reporting, the CCRSI flag is set in the Indication IE shall be set in the Context Response from that MME or SGSN. The PDN Connection IE(s) in the Context Response contains a CSG Information Reporting Action IE if the P-GW/S-GW had previously sent it to the old MME or SGSN for the PDN in question.

## Message Flows

The following diagram shows the messaging between the EPC elements in a Closed Subscriber Group implementation.



Figure 18: Closed Subscriber Groups Message Flow



335268

Table 16: Closed Subscriber Groups Message Flow 0

Step	Description
1	The eNodeB broadcasts the CSG Information to UEs.
2	When an Attach Request event happens, the eNodeB sends its own CSG-related Information in Initial UE message to the MME.
3	The MME sends an Update Location Request (ULR) to the HSS to get subscriber's profile.
4	The HSS responds with an Update Location Answer (ULA) including Subscription-Data which includes CSG-Subscription-Data. If the ULA does not include a CSG_ID: 1) The Attach attempt will be rejected if the Access mode is set to Closed 2) The call will proceed on a non-CSG-member basis if the Access mode is set to Hybrid.
5	The MME proceeds with the call according to the user profile from the HSS. The MME sets the CSG membership Indication and passes it to the S-GW including Access Mode and CSG-ID. The S-GW transparently passes the information to the P-GW.

Step	Description
6	The P-GW requests policy and charging rule from the PCRF.
7	The PCRF sends Event-Trigger:=USER_CSG_INFO_CHG and USER-CSG-INFO AVP based on user subscription profile.
8	The P-GW sets CSG-Information-Reporting-Action in Create Session Response when the P-GW receives Event-Trigger:=USER_CSG_INFO_CHG.
9	The MME sends CSG-Membership-Status to eNodeB. This only occurs when the Access mode is set to Hybrid.
10	When a CSG change event happens, the eNodeB/MME reports the event. The MME updates CSG change event using a Change Notification Request or Modify Bearer Request.
11	The P-GW reports CSG change event using Event-Reporting-Indication AVP to the PCRF.
12	The PCRF updates the policy and charging rule with Charging-Rule-Base-Name or install new Charging-Rule-Base-Name.
13	The P-GW sends a CSG Information Reporting Action IE as part of the Modify Bearer Response, a Change Notification Response, or it can initiate a change through an Update Bearer Request.

## Configuring Closed Subscriber Groups

CSG access control and status communication to peer MMEs/SGSNs is mandatory and enabled by default. CSG notification to the S-GW/P-GW is optional and may be enabled using the **cs-g-change-notification** CLI command within the scope of the mme-service configuration.

Use the following example to enable CSG change notification to the S-GW/P-GW.

```
configure
  context context_name
    mme-service mme_svc_name -noconfirm
      cs-g-change-notification
    end
```

Notes:

- By default, **cs-g-change-notification** is disabled and the MME does not send CSG notification to the S-GW/P-GW.

## Verifying the Closed Subscriber Groups Configuration

Use either of the following Exec mode commands to verify if CSG notification to the S-GW/P-GW is enabled.

```
show mme-service all
show mme-service name mme_svc_name
```

The output of these commands displays the entire configuration for either all the MME services or just for the one specified. The output sample below only illustrates the line used to indicate the Closed Subscriber Groups (CSG) configuration status.

```
show mme-service name mmesvc1
CSG Change Notification           : Enabled
```

## Monitoring and Troubleshooting Closed Subscriber Groups

CSG information and per-PDN CSG reporting information is included the following Exec mode command.

```
show mme-service session full all
```

The sample output below shows only the information relating to CSG.

```
show mme-service session full all
  CSG Cell Change Notification: Enabled
    CSG Subscribed Hybrid Cell Change Notification: Enabled
    CSG Unsubscribed Hybrid Cell Change Notification: Enabled
  CSG Information:
    CSG ID at last connection: 15625 (0x3d09)
  CSG cell type: Hybrid
  CSG membership status: Non-Member
```

If the CSG cell is not a hybrid cell, the CSG Information section will be displayed as follows:

```
CSG Information:
  CSG ID at last connection: 15625 (0x3d09)
  CSG cell type: Closed
  CSG membership status: Member
```

If the last (or current) cell is not a CSG cell, the CSG Information section will be displayed as follows:

```
CSG Information:
  CSG ID at last connection: None
  CSG cell type: n/a
  CSG membership status: n/a
```

The following command shows CSG IDs from the subscription data:

```
show mme-service db record imsi imsi_id
show mme-service db record imsi 123456789012345
CSG IDs           : 10
                  : 25
                  : 625
```

If no CSG IDs are present in the subscription data, that state will be displayed as follows:

```
CSG IDs           : None
```

The following command shows statistics for the number of times the MME sent a NAS message with the cause value "Not authorized for this CSG". These statistics are tracked for Attach Reject, Detach Request, Service Reject, and TAU Reject.

The sample output that follows shows only the statistics relating to CSG.

```
show mme-service statistics
show mme-service statistics
Attach Reject:           0
...
  CSG Not Subscribed:    0
Detach Request:         0
...
  CSG Not Subscribed:    0
Service Reject:         0
...
  CSG Not Subscribed:    0
TAU Reject:             0
```

...  
CSG Not Subscribed: 0



# CHAPTER 21

## Collision Handling for Path Update during Bearer Creation

- [Feature Summary and Revision History, on page 267](#)
- [Feature Description, on page 268](#)

### Feature Summary and Revision History

#### Summary Data

Applicable Product(s) or Functional Area	MME
Applicable Platform(s)	<ul style="list-style-type: none"> <li>• ASR 5500</li> <li>• VPC-DI</li> <li>• VPC-SI</li> </ul>
Default Setting	Enabled - Always on
Related Changes in This Release	Not Applicable
Related Documentation	<i>MME Administration Guide</i>

#### Revision History

Revision Details	Release
Collision Handling for Path-Update during Bearer Creation support added.	21.5.28
Collision Handling for Path-Update during Bearer Creation support added.	21.5.26
Collision Handling for Path-Update during Bearer Creation support added.	21.11.13
Collision Handling for Path-Update during Bearer Creation support added.	12.12.15
First introduced.	21.14

## Feature Description

MME supports processing of NSA path-update procedure under the following collision scenarios:

- Collision between path-update and one or more dedicated-bearer creation initiated by network.
- Collision between path-update and IM-EXIT procedure is in progress.

As part of the above collision handling, MME handles the ERAB-Setup response received from eNB as follows:

- MME processes the ERAB-SETUP response received with cause "Interaction-With-Other-Procedures" from eNB and retries the ERAB-Setup again towards eNB.
- MME processes the ERAB-SETUP response received when Create-Bearer procedure is in suspended state due to path-update in progress.
- MME retries the ERAB-SETUP towards eNB after the successful completion of path-update procedure.



## CHAPTER 22

# Controlling IMS Voice Over PS Session in S1 Mode

This chapter describes the following topics:

- [Feature Summary and Revision History, on page 269](#)
- [Feature Changes, on page 270](#)
- [Command Changes, on page 270](#)
- [Performance Indicator Changes, on page 270](#)

## Feature Summary and Revision History

### Summary Data

Applicable Product(s) or Functional Area	MME
Applicable Platform(s)	ASR 5500
Feature Default	Disabled - Configuration Required
Related Changes in This Release	Not Applicable
Related Documentation	<ul style="list-style-type: none"><li>• <i>Command Line Interface Reference</i></li><li>• <i>MME Administration Guide</i></li><li>• <i>Statistics and Counters Reference</i></li></ul>

### Revision History



**Important** Revision history details are not provided for features introduced before releases 21.2 and N5.1.

Revision Details	Release
IMS Voice Over PS Session in S1 Mode	21.5.7

## Feature Changes

Configured APN is considered as IMS APN and UE is allowed to attempt IMS PDN connection only if it is subscribed to that APN. If the configured IMS APN is present in the subscription in ULA, then MME sets "IMS voice over PS session in S1 mode" in the Attach Accept/TAU Accept message.

If the configured IMS APN is not present in the subscription in ULA, then "IMS voice over PS session in S1 mode" must be unset. If there is any change in subscription due to ISDR/DSR, then the updated parameter must be sent to the UE during the next IM-Exit.

The **ims-apn** CLI command in the Call Control Profile Configuration mode is enhanced to configure the network identifier on MME.

## Command Changes

### ims-apn

In the Call Control Profile Configuration mode, the **ims-apn** CLI command is enhanced to add network identifier.

Use the following configuration to add or remove network identifier in Call Control Profile:

```
configure
call-control-profile profile_name
  ims-apn network-identifier network_identifier_name
  remove ims-apn network-identifier
end
```

- **ims-apn network-identifier *network\_identifier\_name***: Configures the network identifier on MME. Once configured APN is considered as IMS APN and UE is allowed attempt IMS PDN connection only if it is subscribed to that APN. *network\_identifier\_name* Must be string of 1 through 63 characters. It should consist only of alphabetic characters (A-Z and a-z), digits (0-9), dot(.) and the dash (-).
- **remove**: Removes the network identifier configured for IMS APN.

## Performance Indicator Changes

### show call-control-profile full all

The **IMS APN** added to the out put of this command displays "Configured" or "Not Configured".

If **IMS APN** is configured, it displays the name of the configured IMS APN name.





## CHAPTER 23

# Counters for Reason 50/51 on MME and TAI Level

- [Feature Summary and Revision History, on page 271](#)
- [Feature Description, on page 271](#)
- [Show Commands and Outputs, on page 272](#)

## Feature Summary and Revision History

### Summary Data

Applicable Product(s) or Functional Area	MME
Applicable Platform(s)	<ul style="list-style-type: none"><li>• ASR 5500</li><li>• VPC-DI</li><li>• VPC-SI</li></ul>
Default Setting	Enabled - Always on
Related Changes in This Release	Not Applicable
Related Documentation	<ul style="list-style-type: none"><li>• Command Line Interface Reference</li><li>• MME Administration Guide</li></ul>

### Revision History

Revision Details	Release
First introduced.	21.12

## Feature Description

The new counters are introduced for the NAS-ESM message "PDN\_CONNECTIVITY\_REJECT" with cause code "PDN TYPE IPV4 ONLY ALLOWED (50)" and "PDN TYPE IPV6 ONLY ALLOWED (51)".



**Important** Previously these causes were populated in other reasons counter, same behavior holds good ever.

## Show Commands and Outputs

### **show mme-service statistics esm-only**

The output of this command includes the following fields:

- PDN type IPv4 only
- PDN type IPv6 only

### **show mme-service statistics tai taidb <> mcc <> mnc <> tac <>**

The output of this command includes the following fields:

- PDN type IPv4 only
- PDN type IPv6 only

## Bulk Statistics

This section provides information on the bulk statistics for the reason 50/51 on MME and TAU.

### MME Schema

The following counters for reason 50/51 related bulk statistics are available in the MME schema.

Bulk Statistics	Description
esm-msgtx-pdncon-rej-pdn-type_ipv4_only	The total number of PDN connections rejected with cause 50 under MME level.
esm-msgtx-pdncon-rej-pdn-type_ipv6_only	The total number of PDN connections rejected with cause 51 under MME level.

### TAI Schema

The following counters for reason 50/51 related bulk statistics are available in the TAI schema.

Bulk Statistics	Description
tai-esm-msgtx-pdncon-rej-pdn-type_ipv4_only	The total number of PDN connections rejected with cause 50 under TAI level.
tai-esm-msgtx-pdncon-rej-pdn-type_ipv6_only	The total number of PDN connections rejected with cause 51 under TAI level.



# CHAPTER 24

## CSFB and SMS over SGs Interface

Circuit Switched Fallback (CSFB) provides an interim solution for enabling telephony and short message service (SMS) for LTE operators that do not plan to deploy IMS packet switched services at initial service launch.

- [Feature Summary and Revision History, on page 273](#)
- [Feature Description, on page 274](#)
- [Supported Features, on page 274](#)
- [How It Works, on page 276](#)
- [Configuring CSFB over SGs, on page 277](#)

### Feature Summary and Revision History

#### Summary Data

Applicable Product(s) or Functional Area	MME
Applicable Platform(s)	<ul style="list-style-type: none"><li>• ASR 5500</li><li>• VPC-DI</li><li>• VPC-SI</li></ul>
Feature Default	Enabled- Always-on
Related Changes in This Release	Not Applicable
Related Documentation	<ul style="list-style-type: none"><li>• <i>Command Line Interface Reference</i></li><li>• <i>MME Administration Guide</i></li><li>• <i>Statistics and Counters Reference</i></li></ul>

**Revision History**

Revision Details	Release
Support is added to reject Paging Requests for active emergency VoLTE calls.	21.25

## Feature Description

Circuit Switched Fallback (CSFB) enables the UE to camp on an EUTRAN cell and originate or terminate voice calls through a forced switch over to the circuit switched (CS) domain or other CS-domain services (e.g., Location Services (LCS) or supplementary services). Additionally, SMS delivery via the CS core network is realized without CSFB. Since LTE EPC networks were not meant to directly anchor CS connections, when any CS voice services are initiated, any PS based data activities on the E-UTRAN network will be temporarily suspended (either the data transfer is suspended or the packet switched connection is handed over to the 2G/3G network).

CSFB provides an interim solution for enabling telephony and SMS services for LTE operators that do not plan to deploy IMS packet switched services at initial service launch.

CSFB function is realized by reusing Gs interface mechanisms, as defined in 3GPP TS 29.018, on the interface between the MME in the EPS and the VLR. This interface is called the SGs interface. The SGs interface connects the databases in the VLR and the MME.




---

**Important** This feature requires that a valid license key be installed. Contact your Cisco Account or Support representative for information on how to obtain a license.

---

## Supported Features

The following CSFB features are supported:

- Release 8 and Release 9 Specification Support
- SGs-AP Encode/Decode of all messages
- SGs-AP Procedure Support
  - Paging
  - Location Update
  - Non-EPS Alert
  - Explicit IMSI Detach
  - Implicit IMSI Detach
  - VLR Failure
  - HSS Failure
  - MM Information
  - NAS Message Tunneling

- Service Request
- MME Failure
- SMS
- Mobile Originating Voice Call
- Mobile Terminating Voice Call
- Gn/Gp Handover
- S3 Handover
- Basic and Enhanced TAI to LAI Mapping
- Basic LAI to VLR Mapping
- VLR association distribution among multiple MMEs
- IMSI Paging Procedure
- SCTP Multi-homing for SGs interface
- IPv6 Transport for SGs interface
- SNMP Trap Support (Service/VLR association)
- Operator Policy Support
  - SMS-only
  - Disallow CSFB
  - Reject EPS if IMSI attach fails
  - Reject EPS if VoIMS and no CSFB
  - CSFB Not Preferred
  - Configurable RFSP based on UE Usage and Voice Domain Preference
- PS Suspend/Resume over S11 (Release 8)
- PS Suspend/Resume over S3/S11 (Release 9)
- Support for SGs AP Timers: TS6-1, ts8, ts9, ts10, ts12-1, ts12-2, ts-13
- Idle mode Signaling Reduction (ISR)
- Multiple Association Support
- SNMP Trap Support
  - **VLRAssocDown** - sent when an SCTP association to a VLR is down.
  - **VLRDown** - sent when **all** SCTP associations to a VLR are down.
  - **VlrAllAssocDown** - sent when **all** associations to **all** VLRs are down.
- Support for Passive VLR Offload: See *VLR Management*.
- Support for Active VLR Offload: See *VLR Management*.
- UE Detach on VLR Failure: See *VLR Management*.
- UE Detach on VLR Recovery: See *VLR Management*.

## DSCP Marking for SGs Interface

SGs services provides the Differentiated Services Code Point (DSCP) marking functionality. DSCP marking helps in packet traffic management. DSCP marking can be performed on both IPv4 and IPv6 packets leaving the SGs interface.

Either the pre-defined DSCP values can be used for marking, or any arbitrary value ranging from 0x01 to 0x3F can be assigned. The default DSCP value is 0x00 or be (Best Effort). The default DSCP value is automatically set when the configuration is disabled.

```
config
  context context_name
    sgs-service service_name
      [no] ip qos-dscp dscp_value
    end
```

- ip defines the Internet Protocol parameters for the packets leaving through the SGs interface.
- qos-dscp designates the Quality of Service - Differentiated Services Code Point value to the packet leaving through the SGs interface.
- *dscp\_value* is a value assigned to the packet for DSCP marking. The value can be a pre-defined DSCP value or an arbitrary value ranging from 0x01 to 0x3F.

## How It Works

EPC core networks are designed for all IP services and as such lack intrinsic support for circuit switched voice and telephony applications. This presents challenges for those operators that do not plan to launch packet switched IMS core networks at initial service deployment. CSFB represents an interim solution to address this problem by enabling dual radio mobile devices (LTE/GSM/UMTS or CDMA1xRTT) to fallback to GSM/UMTS or CDMA1x access networks to receive incoming or place outgoing voice calls. The next section presents highlights of the CSFB procedure.

## Preparation Phase

- When the GSM/UMTS/LTE access terminal attaches to the EUTRAN access network, it uses combined attachment procedures to request assistance from the MME to register its presence in the 2G/3G network.
- The MME uses SGs signaling to the MSC/VLR to register on behalf of the AT to the 2G/3G network. The MME represents itself as an SGSN to the MSC and the MSC performs a location update to the SGSN in the target 2G/3G network.
- The MME uses the Tracking Area Identity provided by UE to compute the Location Area Identity it provides to the MSC.

## Execution Phase: Mobile Terminated Calls

- When a call comes in at the MSC for the user, the MSC signals the incoming call via the SGs interface to MME.

- If the AT is in an active state, the MME forwards the request directly to the mobile. If the user wishes to receive the call the UE instructs the MME to hand over the call to the 2G/3G network. The MME then informs the eNodeB to initiate the handoff.
- If the AT is in dormant state, the MME attempts to page it at every eNodeB within the Tracking Area list to reestablish the radio connection. As no data transfer is in progress, there are no IP data sessions to handover and the mobile switches to its 2G/3G radio to establish the connection with the target access network.
- If the mobile is active and an IP data transfer is in progress at the time of the handover, the data transfer can either be suspended or the packet switched connection can be handed over if the target network supports Dual Transfer Mode. Note that this is typically only supported on UMTS networks.
- Once the access terminal attaches to the 2G/3G cell, it answers the initial paging via the target cell.

## Execution Phase: Mobile Originated Calls

- This is very similar to the procedure for Mobile Terminated Calls, except there is no requirement for idle mode paging for incoming calls and the AT has no need to send a paging response to the MSC after it attaches to the target 2G/3G network.

## Reject Paging Request for Active Emergency VoLTE Call

When a UE does not respond to the SIP INVITE message sent from the IMS PDN, the call is redirected to MSS or CS. The MSS sends a Paging Request message to MME with the CS call type.

When a VoLTE emergency call is active, MME considers the ARP priority (1 to 8) for emergency call and rejects Paging Request from MSS triggered by an incoming MT CSFB call.

MME does not initiate any activity towards the UE. When MME finds the "CS call" in Paging Request and "emergency PDN" in the UE context, it sends a Paging Reject back to the MSC to stop the CS paging procedure.

## Configuring CSFB over SGs

The configuration example in this section creates an SGs interface and an SGs service for communicating with a Mobile Switching Center/Visitor Location Register (MSC/VLR) for Circuit-Switched Fallback capability.




---

**Important** Circuit-Switched Fallback (CSFB) is a licensed feature and requires the purchase of the Circuit Switched Fallback feature license to enable it.

---

Use the following configuration example to enable CSFB capability on the MME:

```
configure
lte-policy
  tai-mgmt-db db_name
  tai-mgmt-obj object_name
    lai mcc number mnc number lac area_code
    tai mcc number mnc number tac area_code
```

```

        end
    context mme_context_name -noconfirm
        interface sgs_intf_name
            ip address ipv4_address
            exit
        sgs-service name -noconfirm
            sctp port port_number
            tac-to-lac-mapping tac value map-to lac value +
            vlr vlr_name { ipv4-address ipv4_address [ ipv4-address ipv4_address ] |
ipv6-address ipv6_address [ ipv6-address ipv6_address ] } port port_number
            pool-area pool_name
                lac area_code +
                hash-value non-configured-value use-vlr vlr_name>
                hash-value range value to value use-vlr vlr_name
            exit
        bind ipv4-address sgs-intf_ipv4_address
        exit
    mme-service service_name
        associate tai-mgmt-db db_name
        associate sgs-service sgs_svc_name
    end

```

## Notes:

- The MME will attempt to map a TAI to LAI in the following order:
    - If a TAI Management Database is configured, the MME will first use any TAI to LAI mapping defined within the database.
    - If no TAI Management Database is configured or if no suitable mapping is found within the TAI Management Database, the MME will next attempt to map a specific TAC to a specific LAC as defined in the SGs service according to the **tac-to-lac-mapping** command.
    - Lastly, the MME will attempt to use the default LAC value. This is defined using the **tac-to-lac-mapping** command with the **any-tac** keyword option.
  - The number of TAC to LAC mappings is increased from 512 to 1024 entries.
  - For the SGs interface, the **tac-to-lac-mapping** command supports the configuration of multiple TAC-to-LAC values in the same configuration line.
  - The SGs IP address can also be specified as an IPv6 address. To support this, the **ip address** command can be changed to the **ipv6 address** command and the **bind ipv4-address** command can be changed to **bind ipv6-address** command.
- This command also allows for the configuration of a secondary IP address in support of SCTP multi-homing.
- The VLR interface (**vlr** command) also supports IPv6 addressing and SCTP multi-homing.
  - When the VLR configuration includes the same pair of peer VLR addresses with different destination port, this results in paging drops. The configuration to support the same IP address and different port is not supported by MME.





## CHAPTER 25

# CSFB for 1xRTT

The MME supports circuit-switched fallback (CSFB) for CDMA2000 1x (single-carrier) radio transmission technology (1xRTT) networks as defined by 3GPP TS 23.272 R10.

- [CSFB for 1xRTT Feature Description, on page 279](#)
- [How It Works, on page 281](#)
- [Configuring CSFB for 1xRTT, on page 284](#)
- [Monitoring and Troubleshooting the CSFB for 1xRTT, on page 289](#)

## CSFB for 1xRTT Feature Description

The primary purpose of circuit-switched fallback (CSFB) for 1xRTT is to take the CDMA2000 messages received from the caller's phone (UE) and relay them to the CSFB interworking solution function for 3GPP2 (1xCS IWS) associated with the mobile switching center (1x RTT MSC) (or vice-versa) through S1-APP and S102 interfaces. This ensures the UE moves seamlessly from an LTE network to a CDMA2000 network.

The MME uses the S102 interface to tunnel the 1xRTT messages between the MME and IWS/MSC to support the following CS services:

- MO/MT Voice calls
- MO/MT SMS
- Emergency calls

This feature requires that a valid license key be installed to use the commands to configure this functionality. Speak with your Cisco Representative for information about this license. For information about the commands and their use, refer to the *Configuring CSFB for 1xRTT* section later in this chapter.

## Supported Features

The MME provides the following features in support of CSFB for 1xRTT functionality:

**MSC Pool Areas:** Multiple MSCs would be handled by pooling all the MSCs mapping to a particular cell for load distribution. MSC pool areas can be configured for load balancing and intelligent selection of MSC servers based on IMSI hash values. Up to 10 MSC servers can be defined per S102 service.

**MSC Non-Pool Areas:** MSC selection, based on local MSC configuration.

**MSC Selection:** If an MSC pool area has been configured, the selection logic for the pool area is based on the CDMA2000 sector cell ID (includes the MSC ID and the Cell ID) in the CDMA2000 1xRTT network

Both the MSC ID and the cell ID are used to locate the pool / non-pool area. The MME attempts to select an MSC using the following selection order:

1. The MME attempts to match the MSC ID and the Cell ID:
  - If the match is found in the non-pool area configuration, then the configured MSC is selected.
  - If the match is found in the pool area configuration,
    - then IMSI hashing is used to select the MSC.
    - if no hash corresponds, then the MSC selected is the one configured for the 'non-configured-values'.
2. If no MSC is found, a failure message is returned.




---

**Important** When the UE attaches with IMEI, the MSC configured for the non-pool area is always selected because IMSI hashing cannot be performed for that UE.

---

## DSCP Marking for S102 Interface

S102 interface allows Differentiated Services Code Point (DSCP) marking functionality. DSCP marking helps in packet traffic management. DSCP marking can be performed only on IPv4 packets leaving the S102 interface.

Either the pre-defined DSCP values can be used for marking, or any arbitrary value ranging from 0x01 to 0x3F can be assigned. The default DSCP value is 0x00 or be (Best Effort). The default DSCP value is automatically set when the configuration is disabled.

```

config
  context context_name
    S102-service service_name
      [no] ip qos-dscp dscp_value
    end
  
```

- **ip** defines the Internet Protocol parameters for the packets leaving through the S102 interface.
- **qos-dscp** designates the Quality of Service - Differentiated Services Code Point value to the packet leaving through the S102 interface.
- **dscp\_value** is a value assigned to the packet for DSCP marking. The value can be a pre-defined DSCP value or an arbitrary value ranging from 0x01 to 0x3F.

## Relationships to Other Features

CSFB for 1xRTT is related to the SRVCC for 1xRTT feature. Each requires a separate license to take advantage of the separate functionality and use the configuration commands.

If licenses for both features are installed in the system and both features are configured, then the MME can use the S102 interface for both CSFB for 1xRTT and SRVCC for 1xRTT.

1xRTT CSFB and 1xRTT SRVCC calls will be decided based on the presence or absence of the CDMA2000 1xRTT SRVCC Info IEs in an UPLINK S1 CDMA2000 TUNNELING message. This IE should not present for a 1xRTT CSFB call. If only one feature is licensed and configured and if the above condition is not appropriately satisfied for any received call, then that call will be dropped.

The SRVCC for 1xRTT feature is described elsewhere in this administration guide.

## How It Works

Multiple components enable the MME to support CSFB for 1xRTT.

### S1-App

The MME's CSFB for 1xRTT feature complies with 3GPP 36.413 Section 8.8, which define S1 CDMA2000 Tunneling Procedures to carry CDMA2000 signaling between a UE and a CDMA2000 RAT over S1 interface to perform:

- signaling for preparation for handover from the E-UTRAN to the CDMA2000 /1xRTT, and
- pre-registration and paging of the UE with the CDMA2000 1xRTT CS system.

These procedures use an established UE-associated logical S1-connection.

The CDMA2000 Tunneled messages are packaged and transported in the following messages:

- **DOWNLINK S1 CDMA2000 TUNNELING:** If a CDMA2000 message needs to be sent from an MME to a given UE, the MME uses an existing S1 connection. The MME sends a DOWNLINK S1 CDMA2000 TUNNELING message, which includes the CDMA2000 message in a CDMA2000-PDU IE. Similarly, the MME sends other IE's, such as the CDMA2000 HO Status IE during Handover, through the DOWNLINK S1 CDMA2000 TUNNELING message.
- **UPLINK S1 CDMA2000 TUNNELING:** When the eNB receives a CDMA2000 message intended for a UE, the eNB determines which MME has an existing UE-associated logical S1 connection. The eNB sends the UPLINK S1 CDMA2000 TUNNELING message to the MME. The UPLINK S1 CDMA2000 TUNNELING message includes the CDMA2000 message for the UE in the CDMA2000-PDU IE.

### S102-App

#### Messages for the S102

The MME's S102 application is based on the UDP/IP transport medium. S102 (MME-to-IWS) /udp/23272 is the registered destination UDP port number to be used for signaling interconnection between an MME and an IWS for the S102 application.

The S102 application defines a set of messages between the MME and 1xCS IWS to provide CSFB. The MME uses a bound S102 interface to pass signaling messages (A21 messages) between the UE and the IWS:

- **A21-1x Air Interface Signaling message:** When the MME receives an Uplink CDMA2000 message from the eNB, the MME sends an A21-1x air interface message to 1xCS IWS. The MME encapsulates the 1x air interface message in an A21-1x air interface signaling message and sends it to the 1xCS IWS via the S102 interface. This message type is used by the MME or 1xCS IWS during registration, paging, and mobile-originated / mobile-terminated SMS procedures.
- **A21-Ack message:** This message is sent from an MME or a 1xCS IWS to acknowledge receipt of some A21 message to the peer 1xCS IWS or MME. The Correlation ID in an A21-Ack message is copied from the Request message to which the MME or 1xCS IWS is replying.
- **A21-Event Notification message:** This message is sent by either the MME or the 1xCS IWS to notify the peer node of a specific event. The "S102 Redirection" value is used to indicate S102 tunnel redirection during MME relocation.

### A21 Network/Transport Messaging Procedures.

The destination port number is set to 23272 in the UDP packet that carries an A21-1x Air Interface Signaling message or an A21-Event Notification message.

The receiver of an A21-1x Air Interface Signaling message or of an A21-Event Notification message shall set the source port and source IP address and the destination port and destination IP address of the UDP packet that carries the corresponding A21-Ack message to the destination port / destination IP address and the source port / source IP address of the UDP packet that carried the A21-1x Air Interface Signaling message or the A21-Event Notification message respectively.

## MME-App

The UE performs the 1x-RTT pre-registration when it successfully attaches and then:

1. The MME receives an S1-UPLINK CDMA2000 message in ATTACHED state from the eNB.
2. The MME sends an A21 Air Interface message via the S102 interface to the IWS/MSC.
3. The MME receives an A21 message from the IWS/MSC.
4. The MME sends an S1 Downlink CDMA2000 message to the eNB.

The MO/MT call or SMS are handled in Idle and Connected modes:

- In Connected mode, the EMM FSM will be in REGISTERED CONNECTED state. In this state, the messages from the MSC through the S102 messages are directly dispatched over the S1 interface through S1 DOWNLINK CDMA2000 messages.
- In Idle mode, when an MT-call or an MT-SMS arrives from an MSC, the MME needs to trigger paging to make the UE return to CONNECTED state. During this time, S102 message is stored inside the S102 context. Once the UE returns to connected state the message is dispatched over the S1 interface.

## Other Support Functions

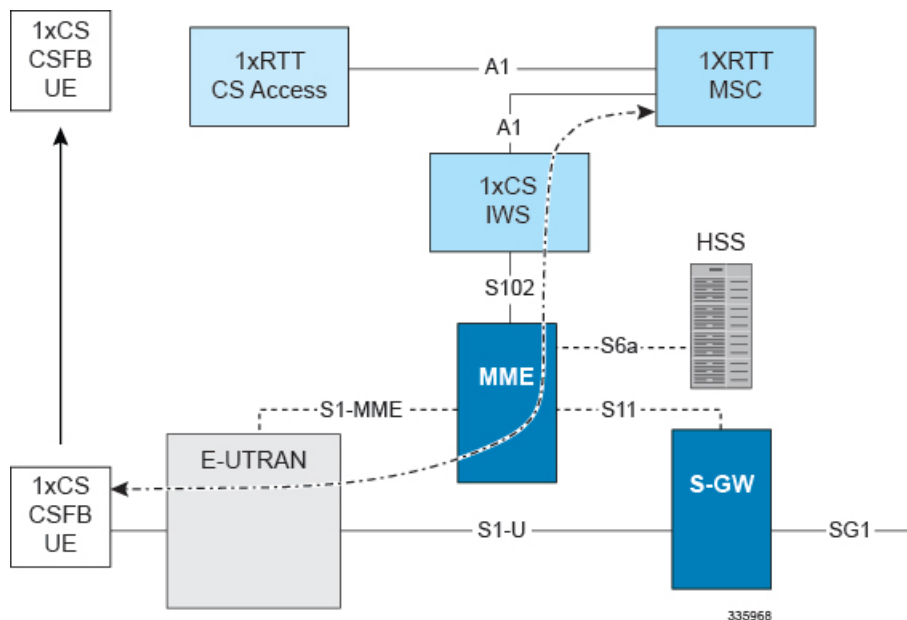
**Attach Procedure:** As parts of the existing Attach procedure, the 1x RTT UE includes an indication of support for enhanced CSFB to 1xRTT. The UE context will be updated with this information for further processing.

**TAU Procedure:** The 1xRTT UE performs the Tracking Area Update with the MME change. After Location Update Ack is received from the HSS, the MME sends a Context Request to the old MME and the 1x CS IWS ID is sent back in the Context Response message. This information would be stored in the UE's context and would be used when the CSFB procedure performs S102 Tunnel Redirection.

**eGTPC:** Whenever there is a change of MME, the target MME gets the IWS-ID (the MSC address) through the Context Response message from the source MME. In the case of SRNS relocation, the source MME send the IWS-ID (the MSC address) through the Forward Relocation Request message, which is stored in the UE context and will be used in the S102 Redirection procedures.

## Architecture

Figure 19: Architecture of the MME's CSFB for 1xRTT



## Flows

The following call flows are supported as defined by 3GPP TS 23.272, "Circuit Switched (CS) fallback in Evolved Packet System (EPS)":

- 1xRTT CS Pre-Registration
- S102 Tunnel Redirection
- UE-Initiated Detach Procedure
- MO Call - Normal CSFB to 1xRTT
- MO Call - enhanced CSFB to 1xRTT
- MT Call - Normal CSFB to 1xRTT
- MT Call - enhanced CSFB to 1xRTT
- Emergency Call
- SMS Procedures

## Limitations

- SMS procedures will only apply if the UE is 1xRTT CS registered and the CS access domain is chosen by the UE and/or the home PLMN for delivering short messages.
- The MME only buffers the last received SMS until the UE returns to connected state.

## Standards Compliance

The CSFB for 1xRTT complies with the following standards:

- 3GPP TS 23.401 Release 10, "GPRS enhancements for E-UTRAN access "
- 3GPP TS 23.402 Release 10, "Architecture enhancements for non-3GPP accesses"
- 3GPP TS 36.413 Release 10, "Evolved Universal Terrestrial Radio Access Network (E-UTRAN) S1 Application Protocol (S1AP)".
- 3GPP TS 23.272 Release 10, "Circuit Switched (CS) fallback in Evolved Packet System (EPS)"
- 3GPP2 A.S0008-C Release 3.0, "Interoperability Specification (IOS) for High Rate Packet Data (HRPD) Radio Access Network Interfaces with Session Control in the Access Network".
- 3GPP2 A.S0009-C Release 3.0, "Interoperability Specification (IOS) for High Rate Packet Data (HRPD) Radio Access Network Interfaces with Session Control in the Packet Control Function".
- 3GPP2 A.S0013-D Release 3.0, "Interoperability Specification (IOS) for cdma2000 Access Network Interfaces"

## Configuring CSFB for 1xRTT

If you have the appropriate license, you will be able to see and configure the commands identified below to

- setup an S102 service for the use of an S102 interface.
- associate the S102 service configuration with the MME service.
- configure MSC selection.
- allow/disallow CSFB service and/or SMS-only service via an Operator Policy.




---

**Important** The first three sets of configuration must be completed for this feature to function.

---




---

**Important** For more details on commands and keywords indicated below, we recommend that you refer to the *Command Line Interface Reference, StarOS Release 19* or higher.

---

## Configuring the S102 Service

This configuration enables you to define the characteristics for a specific S102 interface as an S102 service instance, including:

- configuring the interface to work with CSFB for the 1xRTT CDMA2000 messaging.
- binding or unbinding a logical IPv4 address and ports to the S102 service.
- configuring an IPv4 address and ports for the IWS/MSC in the S102 service configuration.

```

configure
  context context_name
    [ no ] s102-service service_name
      [ no ] 1xRTT csfb
        [ no ] bind ipv4-address ipv4_address port port_number
        [ no ] msc msc_name
          [ no ] ipv4-address ipv4_address port port_number
          exit
        [ no ] msc msc_name
  
```

```
[ no ] ipv4-address ipv4_address port port_number
end
```

Notes:

- *context\_name* enter a string of 1 to 79 alphanumeric characters to define the name of the context in which the S102 service is configured. You can configure the S102 service in the same context in which the associated MME service is configured.
- *service\_name* enter a string of 1 to 63 alphanumeric characters to define the name. We recommend that each service name be unique on this MME.
- The MME supports configuration of an undefined number of S102 services (interfaces). As there is a 1-to-1 correlation between S102 service configurations and MME services, the only limiting factor is the maximum number of MME services that can be configured per system maximum number is 8.
- **1xrtt** configures the S102 interface to provide either CSFB or SRVCC capabilities for the 1xRTT CDMA2000 network. The **1xrtt** command can be repeated so that a single S102 interface provides both CSFB and SRVCC functionality.
- **bind ipv4-address ipv4\_address port port\_number** binds the S102 interface to the specified source (MME) IPv4 interface address, and optionally to a specific port number if the port option is included. The value for the IPv4 address must be entered in standard IPv4 dotted-decimal notation and, if included, the port number must be an integer from 1 to 65535.
- **msc msc\_name** enter 1 to 63 alphanumeric characters to define a unique name for the MSC. Executing the **msc** command causes the system to enter the S102-MSC configuration mode to define the target IPv4 address (and optionally the port ID). This associates the S102 interface to the specified MSC.
- **ipv4-address ipv4\_address port port\_number** identifies IPv4 interface address of the MSC, and optionally a specific port number if the port option is include. The value for the IPv4 address must be entered in standard IPv4 dotted-decimal notation and, if included, the port number must be an integer from 1 to 65535.
- It is possible to associate up to 10 IWS/MSCs with the S102 interface/service configuration. Repeat the **msc**, **ipv4-address**, and **exit** commands sequence as often as needed to identify all MSCs.
- **no** prefix included with a command, disables and/or erases the specified configuration from the MME's configuration.
- **default** prefix is unused at this time and is available for future development.

## Verify the S102 Service Configuration

Use the **show s102-service name s102\_service\_name** command to verify the S102 configuration that you have entered following the steps outlined above. The output will appear *similar* to the following:

```
[local]MME show s102-service name s102-mme1
Service name      : s102-mme1
Context           : test
Status            : NOT STARTED
1xRTT type        : CSFB
Bind              : Done
IP Address        : nnn.nnn.nnn.1
Port              : 54321
```

## Associating the S102 Service

Use the following to add an association between a previously configured MME service and an S102 service.

```

config
  context context_name
  mme-service mme_service_name
    associate s102-service s102_service_name [ context context_name ]
  end

```

Notes:

- **context** *context\_name* enter a string of 1 to 79 alphanumeric characters to identify the name of the context in which the S102 service is configured. We recommend that you identify the context if it is not the same one in which the associated MME service is configured.

## Verifying the S102 Association

Use the **show mme-service name** *mme\_service\_name* command to verify the S102 association that you have entered following the steps outlined above. The output will appear *similar* to the following:

```

[local]MME show mme-service name mme1
Service name           : mme1
Context                : test
Status                : NOT STARTED
Bind                   : Not Done
. . .
. . .
IPNE Service          : Not defined
S102 Context          : test
S102 Service          : s102-A
Max bearers per MS    : 11
. . .
. . .

```

## Configuring MSC Selection

The following process configures up to 10 MSC pool/non-pool areas per S102 service in support of MSC selection. Both the MSC-Id and the Cell-Id are used to locate the pool or non-pool area for the MSC selection process.

**Prerequisite:** Each of the MSCs must have been defined and associated with an S102 service (see *Configuring the S102 Service* noted above) before the MSC can be included in the non-pool-area or pool-area configuration.

### Defining a Non-Pool Area

```

config
  context context_name
    [ no ] s102-service service_name

```




---

**Important** The **plmn** option that is visible in the code is not supported at this time and is included for future development.

---

```

non-pool-area non_pool_area_name msc msc_name msc-id msc_id cell-id cell_id +
no non-pool-area non_pool_area_name cell-id cell_id +

```

Notes:

- *non\_pool\_area\_name* enter a string of 1 to 63 alphanumeric characters to uniquely identify the non-pool-area definition used for MSC selection.



- **msc** *msc\_name* enter a string of 1 to 63 alphanumeric characters to identify one of the MSCs previously configured in the S102 service configuration.
- **msc-id** *msc\_id* **cell-id** *cell\_id* +
  - *msc\_id* enter an integer from 1 through 16777215 to identify the unique numeric ID for the MSC.
  - *cell\_id* + enter an integer from 1 through 65535 to identify a CDMA2000 sector cell ID that you are assigning to this non-pool area configuration. Enter up to 24 cell IDs, separated by a single blank space, in the same command.
- **plmnid** { **any** | **mcc** *mcc\_id* **mnc** *mnc\_id* } is not operationally supported at this time. The code is included for future development.
- **no** prefix included with the command, erases or disables the specified configuration from the MME's configuration.

### Defining a Pool Area

#### config

```

context context_name
  [ no ] s102-service service_name
    [ no ] pool-area pool_area_name
      [ no ] cell-id cell-id cell-id
      [ no ] hash-value { hash_value | non-configured-values | range
lower_hash_value to higher_hash_value } { msc msc_name }
      [ no ] msc-id msc-id
        [ no ] plmnid { any | mcc mcc_id mnc mnc_id }
    end

```

#### Notes:

- **pool-area** *pool\_area\_name* enter a string of 1 through 63 alphanumeric characters to create a unique name of an MSC pool area configuration. After the command is entered, the system enters the S102-Pool-Area configuration mode.
- **cell-id** *cell-id* [*cell-id* + ] enter an integer from 1 through 65535 to identify a CDMA2000 sector cell ID that you are assigning to this pool area configuration. Enter up to 24 cell IDs, separated by a single blank space, in the same command.
- **hash-value**
  - *hash\_value* enter an integer from 0 through 999 to identify a specific MSC.
  - **non-configured-values** **msc** *msc\_name* assigns all non-configured hash values to use the named MSC.
  - **range** *lower\_hash\_value* **to** *higher\_hash\_value* **msc** *msc\_name* specifies the range of hash values for an MSC:
    - *lower\_hash\_value* enter an integer from 0 through 999 to identify the start value for a range of hash. The *lower\_hash\_value* must be lower than *higher\_hash\_value*.
    - *higher\_hash\_value* enter an integer from 0 through 999 to identify the end value for a range of hash. The *higher\_hash\_value* must be higher than *lower\_hash\_value*.
- *msc\_id* enter an integer from 1 through 16777215 to identify the unique numeric ID for the MSC.
- **plmnid** { **any** | **mcc** *mcc\_id* **mnc** *mnc\_id* } is not operationally supported at this time. The code is included for future development.
- **no** prefix included with the command, erases the specified configuration from the MME's configuration.

## Verifying Pool and Non-Pool Area Configuration

Use the **show configuration** command to view the S102 pool area and S102 non-pool area configuration. It should appear similar to the following:

```
[local]MME show configuration
...
s102-service s102test
  bind ipv4-address 209.165.200.225 port 54321
  lxrft CSFB
  msc msc1
    ipv4-address nn2.nn2.nn2.2 port 33333
  exit
  msc msc10
    ipv4-address nn1.nn2.nn1.2 port 23272
  exit
  pool-area poolone
    cell-id 2 4 5
    hash-value 34 msc msc10
  exit
  non-pool-area np1 msc msc1 msc-id 1233 cell-id 223
  non-pool-area np3 msc msc1 msc-id 14441 cell-id 6 7 8
```

## Allowing CSFB and/or SMS-only in the Operator Policy

The operator can configure the type of CSFB service the MME provides at the Operator Policy level.

### Enabling SMS-only

The following configuration sequence instructs the MME that the CSFB function will only support SMS.

```
config
  call-control-profile ccprof_name
    [ remove ] csfb sms-only
  end
```

Notes:

- **remove** prefix included with the command, erases the specified configuration from the Call-Control Profile configuration.

### Enabling CSFB for Voice and SMS

The following configuration sequence instructs the MME that the CSFB function is

- not allowed for both voice and SMS, or
- only allowed for SMS.

```
config
  call-control-profile ccprof_name
    [ remove ] csfb policy { not-allowed | sms-only }
  end
```

Notes:

- **remove** prefix included with the command, erases the specified configuration from the Call-Control Profile configuration.

## Verifying the Call-Control Profile Configuration

Use the **show call-control-profile full name** command to display the configuration entered with the procedures outlined above. The output should appear similar to the following:

```
[local]MME show call-control-profile full name ccprof1
Call Control Profile Name = ccprof1
SAMOG Home PLMN                               : Not configured
CSFB Restrictions
  SMS Only                                     : TRUE
  Not Allowed                                  : FALSE
```

# Monitoring and Troubleshooting the CSFB for 1xRTT

## Monitoring Protocol

When using the monitor protocol command, enable option 86 to see all A21 messages.

## Show Command(s) and/or Outputs

### show s102-service statistics name

The show **s102-service statistics name** *s102\_service\_name* command generates statistical output indicating the status and activity of the interface. The output generated will appear similar to the following:

```
S102-AP Statistics:
  S102-AP Data:
    A21-1x Air Interface Signaling message    Tx   ReTx  Rx
    A21-Ack message                          0     0    0
  Unknown MSG                                0     0    0
Error Statistics:
  Encoding Errors:                           0
  Mismatch in Correlations:                  0
  Decoding Errors:                           0
    Missing Mandatory IEs:                   0
    Syntax Errors:                           0
  Misc Errors:                               0
```

## Bulk Statistics

Bulk statistics are described in the *Statistics and Counters Reference*.

### MME Schema

The MME tracks the number of CSFB 1xRTT calls using the following variables:

- slap-transdata-dlinktunnel
- slap-recdata-ulinktunnel

## S102 Schema

The MME will use the S102 interface to tunnel the 1xRTT messages between the MME and IWS/MSC. The S102 schema has been created to track performance over this interface and includes all of the following stat variables (which are described in detail in the *Statistics and Counters Reference*) :

- vppname
- vppid
- servname
- servid
- s102ap-tx-a21-air-signal-msg
- s102ap-tx-a21-ack-msg
- s102ap-tx-a21-evt-ntfy-msg
- s102ap-tx-unknown-msg
- s102ap-retx-a21-air-signal-msg
- s102ap-retx-a21-ack-msg
- s102ap-retx-a21-evt-ntfy-msg
- s102ap-retx-unknown-msg
- s102ap-rx-a21-air-signal-msg
- s102ap-rx-a21-ack-msg
- s102ap-rx-a21-evt-ntfy-msg
- s102ap-rx-unknown-msg
- s102ap-encode-errors
- s102ap-missing-mandatory-ies
- s102ap-corelation-mismatch
- s102ap-decode-errors
- s102ap-syntax-errors
- s102ap-misc-errors

## Traps

Traps are defined to indicate when an S102 service starts or stops. The trap information includes the context identification in which the S102 service is configured the unique identification of the S102 service. The following are examples of how the traps would appear :

```
Internal trap notification <XXXX> (S102ServiceStop) context S102 service s102-service
Internal trap notification <YYYY> (S102ServiceStart) context S102 service s102-service
```



# CHAPTER 26

## ERAB Release if any ERAB Switch Fails

- [Feature Summary and Revision History, on page 291](#)
- [Feature Description, on page 291](#)
- [How It Works, on page 292](#)

### Feature Summary and Revision History

#### Summary Data

Applicable Product(s) or Functional Area	MME
Applicable Platform(s)	<ul style="list-style-type: none"> <li>• ASR 5500</li> <li>• VPC-DI</li> <li>• VPC-SI</li> </ul>
Default Setting	Enabled - Always-on
Related Changes in This Release	Not Applicable
Related Documentation	<i>MME Administration Guide</i>

#### Revision History

Revision Details	Release
First introduced.	21.15

### Feature Description

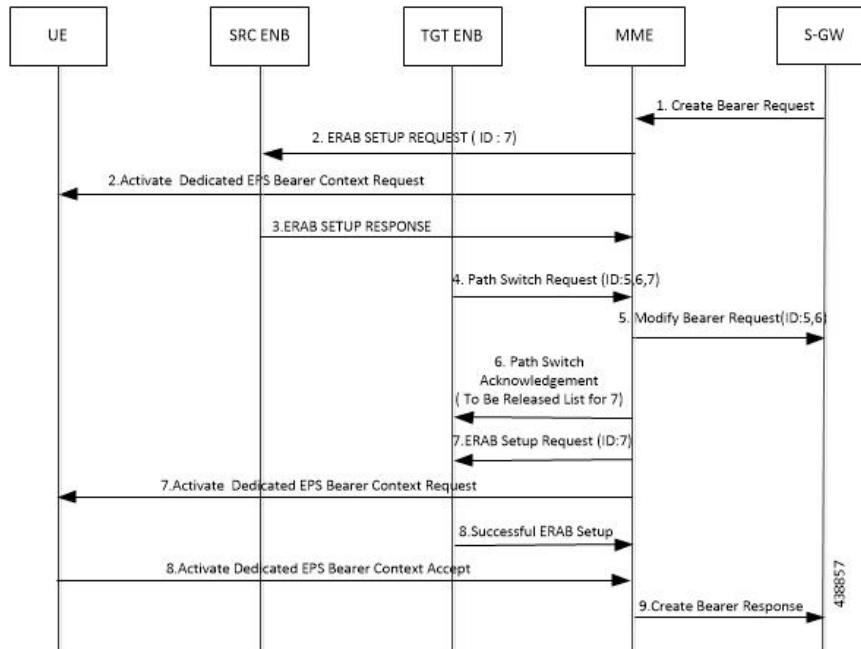
With Release 21.15, MME includes ERAB to "To Be Released List" IE in PATH SWITCH REQUEST ACKNOWLEDGE during X2 handover collision scenarios.

# How It Works

This section describes how the ERAB release if any ERAB Switch Fails.

## Flows

**Figure 20: X2 handover without SGW Relocation**



**Table 17: Scenario 1**

Steps	Description
1.	MME receives create bearer request for the dedicated bearer.
2.	MME sends eRAB setup and activate dedicated EPS bearer (ID: 7).
3.	ENB1 accepts eRAB setup.
4.	ENB2 sends path switch request with ID 5, 6, and 7.
5.	MME sends modify for 5 and 6, but 7 is not sent as setup is completed.
6.	MME responds with path switch acknowledge with "To Be Released List" for 7.
7.	MME sends Activate Dedicated EPS Bearer over E-RABSetup request for erab id 7.
8.	ENB2 sends E-RAB setup response.
9.	MME sends Create bearer response to S-GW.

Figure 21: X2 Handover with SGW Relocation:

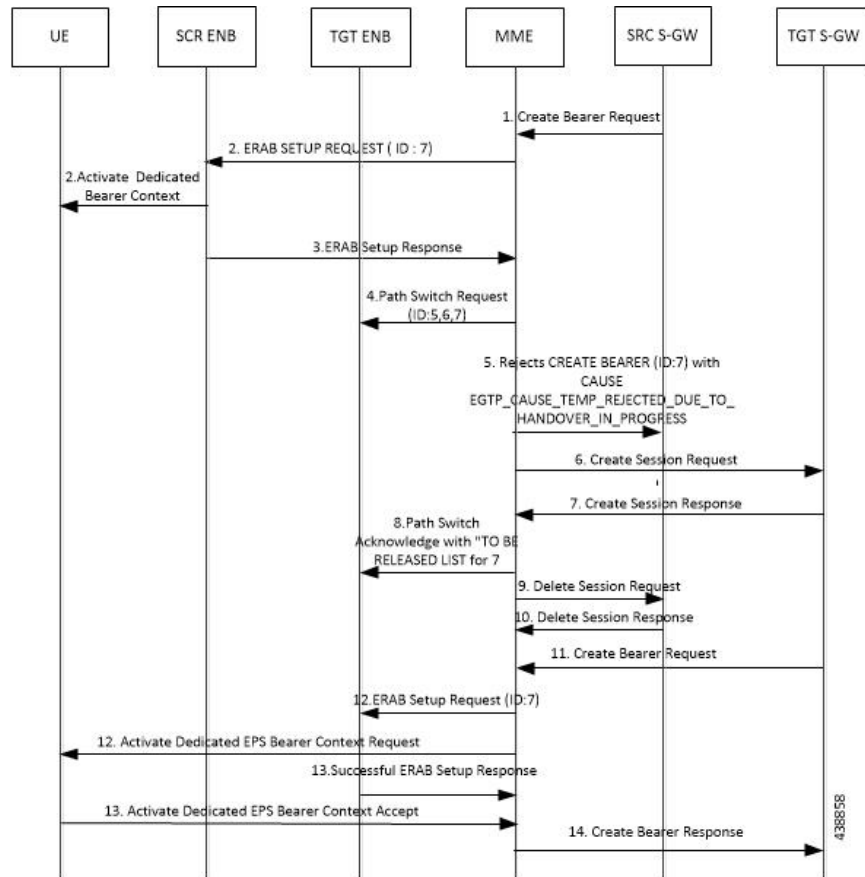


Table 18: Scenario 2

Steps	Description
1.	MME receives create bearer request for dedicated bearer.
2.	MME sends eRAB setup and activate dedicated EPS bearer (ID: 7).
3.	ENB1 accepts eRAB setup.
4.	ENB2 sends path switch request with ID 5, 6, and 7.
5.	MME rejects create bearer with cause: "EGTP_CAUSE_TEMP_REJECTED_DUE_TO_HANDOVER_IN_PROGRESS" to source S-GW (SGW1).
6.	MME sends create session request to target S-GW (SGW2).
7.	SGW2 responds with create session response.
8.	MME responds with path switch acknowledge to target enode B (ENB2), with bearer ID 5 and 6. ERAB Id 7 will be added under "To be released List".

Steps	Description
9.	MME sends delete session request to SGW1.
10.	SGW1 responds with delete session response.
11.	If target S-GW retries to rejected bearer, then a create bearer is sent from SGW2 to MME.
12.	MME sends eRAB setup and activate dedicated EPS bearer (ID: 7).
13.	ENB ENB2 sends E-RAB setup response.
14.	Create bearer will be successful.




---

**Note** If MME did not get an acknowledgement from UE for NAS message (ACTIVATE\_DEDICATED\_EPS\_BEARER\_CONTEXT\_REQUEST) or if MME has rejected that create bearer due to handover after successful ERAB establishment, then that ERAB ID is added to “To Be Released List” which is ERAB ID 7 under path switch acknowledge. When MME tries again to set up a ERAB SETUP request for ERAB ID 7, MME receives a successful response from Enode B2.

---





## CHAPTER 27

# DDN Throttling

- [Feature Description, on page 295](#)
- [How It Works, on page 295](#)
- [Configuring DDN Throttling, on page 297](#)
- [Monitoring and Troubleshooting DDN Throttling, on page 299](#)

## Feature Description

The MME supports Downlink Data Notification (DDN) Throttling. With this feature, the MME is provisioned to reject non-priority (traffic based on ARP and LAPI) DDN Requests when the UE is in idle mode. Additionally, the MME dynamically requests the S-GW to reduce the number of DDN Requests based on a throttling factor and a throttling delay specified in the DDN Ack message.

MME supports the following functions for DDN Throttling:

- Rejection of DDN requests when configured congestion threshold is reached.
- Allows the configuration of cause value to be sent in DDN Ack message when DDN is rejected during congestion.
- Allows DDN rejection based on ARP.
- Allows DDN rejection based on LAPI.
- Allows configuration of DDN throttling factor and throttling delay values to be sent in DDN Ack message to SGW during congestion.

A valid license key is required to enable DDN Throttling. Contact your Cisco Account or Support representative for information on how to obtain a license.

## How It Works

The SGW determines whether a bearer needs DDN throttling based on the bearer's ARP priority level and operator policy (operator's configuration in the SGW of the ARP priority levels to be considered as priority or non-priority traffic). While throttling, the SGW throttles the DDN Requests for low and normal bearers based on priority. The MME determines whether a Downlink Data Notification request is priority or non-priority traffic on the basis of the ARP priority level that was received from the SGW and operator policy.

Congestion Control Profile supports DDN Throttling. The Congestion Control policy allows the operator to configure three different action profiles critical, major and minor based on the congestion level. During

Congestion the operator configures the action to be taken using action profiles. Congestion Action profile allows configuration of DDN Throttling parameters.

When congestion threshold is reached the following actions are taken on DDN requests based on the operator configuration:

- Reject all DDN requests based on ARP and LAPI. DDN Ack message is sent with failure cause to the SGW. Paging is not initiated.
- Reject all DDN requests if ARP or LAPI values are not configured.
- Enable SGW Throttling. DDN Ack message is sent to the SGW with throttling factor and throttling delay values.

### Session Manager

The Session Manager is configured to handle DDN requests based on the DDN's current congestion status and the operator configuration. Session Manager stores the congestion status information along with S1-AP or NAS messages received from the MME manager. This data is used to handle DDN requests.

The Session Manger handles congestion for incoming DDN requests in the following ways:

- If the congestion status does not indicate any congestion, session manager initiates paging without any change in existing behavior.
- If the congestion threshold is reached, session manager either decides to reject DDN requests or enable throttling DDN requests towards SGW, based on the action profile corresponding to the threshold level. A throttling factor and throttling delay is added to the DDN Ack message and is sent to the SGW. If DDN Rejection is based on **reject ddn** configuration then DDN Ack will not contain any throttling factor and throttling delay value.
- If the action profile indicates DDN requests to be rejected, the sessmgr does not initiate paging. A DDN Ack message is sent with the configured cause value. The default cause value is "Unable to page UE".
- If the action profile indicates throttling in SGW is enabled, then the sessmgr includes the throttling factor and the throttling delay value in the DDN Ack, which is sent to the SGW. If action profile indicates DDN requests to be rejected, then throttling parameters are not included in the DDN Ack message.
- If **reject ddn** is configured with arp-watermark, and if the PDN has multiple bearer and ARP values, the DDN requests are serviced depending on the following scenarios:
  - If DDN is received without bearer ID and ARP value, then the DDN requests are allowed and all bearers remain active. The DDN requests will not be rejected unless MME receives the ARP values and all bearers remain active, as part of the paging procedures.
  - If DDN is received with a bearer ID but not an ARP value, the DDN requests are still allowed and all bearers will be active as part of a paging procedure. But, if a stored ARP value matches with the configured arp-watermark value, DDN requests are rejected.




---

**Important** The action to reject DDN requests or enable SGW throttling is independent of each other. The operator can configure either or both actions for each action profile.

---

If there is a configuration change in DDN Throttling parameters, then the action is applied only upon receiving the next DDN request.

- If configuration is modified to disable throttling, then it will come into effect immediately while processing the next DDN. MME shall send throttling IE so that it de-activates the DDN throttling timer at SGW.

- If configuration is modified to change throttling values, throttling begins after a delay of few seconds. The new throttling value is sent to the SGW when the ongoing throttling time (timer = previously sent timestamp + new throttling delay) expires.



**Important** If the Session Manager crashes, the SGW list with throttling information is lost on recovery. In this condition, the throttling parameter information is sent to the SGW even before the ongoing throttling expires. If congestion persists after session manager recovery, the throttling parameters are sent again for recovery.

## Limitations

Memory Impact -- There is a negligible impact on memory, which stores the SGW information created to process the incoming DDN throttling request. A list of SGW entries are created in this process. The following information is stored in the SGW:

- SGW IP address
- Congestion Status time at which throttling status were sent in the DDN Ack
- Timestamp Congestion status for which throttling information was last sent

The above mentioned information is required to keep the Session Manager in sync with the SGW's throttling status. However, to keep the memory impact minimal the SGW information list is created only during congestion and throttling factors are configured in the action profile. On completion of DDN throttling, congestion is cleared and the SGW entry in the list is deleted to process the subsequent DDN request.

## Standards Compliance

The DDN Throttling feature complies with the following standards:

- 3gpp TS 29.274, Version 10.4.0, Tunneling Protocol for Control plane (GTPv2-C).
- 3gpp TS 23.401, Version 10.4.0, General Packet Radio Service (GPRS) enhancements for Evolved Universal Terrestrial Radio Access Network (E-UTRAN) access.

## Configuring DDN Throttling

This section documents the configuration procedures for DDN Throttling and related functionality.

### Configuring DDN Throttling Factor and Throttling Delay

#### reject

The **ddn** is a newly added keyword to this command. This keyword allows the operator to reject DDN requests during congestion. The operator can reject DDN requests based on ARP or LAPI values or both. An option is provided to reject all DDN requests without using ARP/LAPI values.

#### configure

##### lte-policy

```
congestion-action-profile profile_name
```

```
reject ddn [ arp-watermark arpwatermark_value [ cause cause_value ] |
```

```

cause cause_value | lapi [ cause cause_value ] ]
      none ddn [ lapi | arp-watermark ]
      end

```

Notes:

- The **ddn** keyword configures action to be taken for all DDN requests
- The **lapi** keyword indicates that DDN reject is applicable for UEs with LAPI.
- The **arp-watermark** keyword indicates that DDN reject is applicable for ARP values greater than or equal to the ARP specified. The ARP value ranges from 1 through 15.
- The **cause** keyword rejects DDN with the specified cause value. The valid cause value ranges from 1 through 255. The default value is 90 with the display message “Unable to page ue”.
- **none** disables DDN configuration.




---

**Important**

If the value of **arp-watermark** does not match with the DDN's ARP value, then the DDN notifications is not rejected, and all bearers remain active.

---

## ddn sgw-throttling

The **sgw-throttling**, **throttle-factor** and **delay** are new keywords added to this command. This Command allows the operator to configure the throttling factor and throttling delay values to be sent in DDN Ack message.




---

**Important**

Throttling delay value will be converted internally to seconds, minutes or hours as defined in the 3gpp Spec 29.274.

---

```

configure
  lte-policy
    congestion-action-profile profile_name
      ddn sgw-throttling throttle-factor percentage_value delay delay_time
      no ddn sgw-throttling
    end

```

Notes:

- The **sgw-throttling** keyword enables DDN throttling towards SGW.
- The **throttle-factor** keyword indicates throttling factor as a percentage from 1 to 100.
- The **delay** keyword indicates the amount of time taken for throttling delay in seconds. The delay value ranges from 2 to 1116000 seconds.
- **no** removes DDN throttling towards SGW.

## Verifying the DDN Throttling Configuration

The following command displays the configuration fields in the Congestion Action Profile for the DDN Throttling feature:

```

show lte-policy congestion-action-profile name test
Congestion Action Profile test
none handovers
none combined-attaches
none ps-attaches
none addn-pdn-connects
none addn-brr-requests
none brr-ctxt-mod-requests
none service-request
none tau-request
none sl-setups
none init-ues
none ddn
ddn sgw-throttling throttle-factor 3 delay 1116000
none paging
no exclude-emergency-events
no exclude-voice-events

```

## Monitoring and Troubleshooting DDN Throttling

This section provides information on how to monitor congestion control.

### DDN Throttling Show Command(s) and/or Outputs

This section provides information regarding show commands and/or their outputs in support of enhanced congestion control.

#### show congestion-control statistics mme

The command generates a display that provides a concise listing of congestion control statistics. The command offers four keyword options: **critical** | **full** | **major** | **minor**

In the output example below, the critical keyword has been included in the command so only Critical information is shown. The displayed fields are the same when the full, major, or minor options are used with the command.

```

Critical Congestion Policy Action
  Congestion Policy Applied      :      0 times
    PS attaches
      Rejected                   :      0 times
      Dropped                    :      0 times
    PS attaches
      Rejected                   :      0 times
      Dropped                    :      0 times
    Combined attaches
      Rejected                   :      0 times
      Dropped                    :      0 times
    S1-Setup
      Rejected                   :      0 times
      Dropped                    :      0 times
    Handover
      Rejected                   :      0 times
      Dropped                    :      0 times
    Addn-pdn-connect
      Rejected                   :      0 times
      Dropped                    :      0 times
    Addn-brr-connect
      Rejected                   :      0 times

```

```

Service-Request      Dropped           :      0 times
                    Rejected           :      0 times
                    Dropped           :      0 times
TAU-Request          Rejected           :      0 times
                    Dropped           :      0 times
SIAP Overload Start Sent      :      2 times
SIAP Overload Stop  Sent      :      2 times
Excluded Emergency Events     :      0 times
Excluded Voice Events         :      0 times
DDN Request          Rejected           :      0 times
                    ARP-Based         :      0 times
                    LAPI-Based        :      0 times

```

## Notes:

- The DDN Request field indicates the number of DDN requests rejected based on the CLI configuration in the Congestion Action Profile.
- The Rejected field provides information on the total number of DDN rejections based on the CLI configuration.
- The ARP-based field indicates the number of DDN rejected based on the ARP value. For example, reject ddn arp-watermark 10 increments the counter once the ARP value of DDN requests received is 10 and above.
- The LAPI-Based field indicates the number of DDN rejected based on the LAPI value.

**Important**


---

For LAPI based UEs, both cli are valid, it means if DDN rejection happened due to ARP-based condition then only ARP-based counter will be incremented.

---



# CHAPTER 28

## Dedicated Core Networks on MME

This chapter describes the Dedicated Core Networks feature in the following sections:

- [Feature Summary and Revision History, on page 301](#)
- [Feature Description, on page 302](#)
- [How It Works, on page 305](#)
- [Configuring DECOR on MME, on page 312](#)
- [Monitoring and Troubleshooting, on page 318](#)

### Feature Summary and Revision History

#### Summary Data

Applicable Product(s) or Functional Area	MME
Applicable Platform(s)	<ul style="list-style-type: none"><li>• ASR 5500</li><li>• VPC-DI</li><li>• VPC-SI</li></ul>
Feature Default	Enabled - Configuration Required
Related Changes in This Release	Not Applicable
Related Documentation	<ul style="list-style-type: none"><li>• <i>Command Line Interface Reference</i></li><li>• <i>MME Administration Guide</i></li><li>• <i>Statistics and Counters Reference</i></li></ul>

#### Revision History

Revision Details	Release
In release 21.16, the DECOR feature is enhanced to support UE Usage type updated by ULA.	21.16

Revision Details	Release
<p>In release 21.14, the DECOR feature is enhanced to support:</p> <ul style="list-style-type: none"> <li>• P-GW Selection based on ULAs UE Usage Type</li> <li>• Usage Type Deletion by DSR flag support added.</li> </ul>	21.14
<p>In release 21.8, the DECOR feature is enhanced to support:</p> <ul style="list-style-type: none"> <li>• Association of DCNs to a specific RAT Type under call-control-profile</li> <li>• Association of multiple DCN profiles (to designate dedicated or default core network) under call-control-profile</li> <li>• DNS selection of S-GW / P-GW / MME / S4-SGSN/ MMEGI lookup for specified UE Usage Type or DCN-ID</li> <li>• DIAMETER_AUTHENTICATION_DATA_UNAVAILABLE result code for the S6a (HSS) interface</li> <li>• When UE moves from a service area where DCN is not used to another area where DCN is supported, then MME does not receive the UE-Usage-Type from peer. In this case, MME will do an explicit AIR towards HSS for UE-Usage lookup.</li> </ul>	21.8
The enhancements to the DECOR feature in release 21.6 are fully qualified.	21.7
<p>In release 21.6, the DECOR feature is enhanced to support:</p> <ul style="list-style-type: none"> <li>• DNS based MMEGI selection</li> <li>• DCN-ID IE in Attach/TAU Accept and GUTI Reallocation Command message towards UE</li> <li>• DCN-ID IE in INITIAL UE MESSAGE from eNodeB</li> <li>• HSS initiated DCN reselection</li> <li>• MME initiated DCN reselection</li> <li>• Network sharing with same MMEGI for different PLMNs</li> <li>• Network sharing with different MMEGIs for different PLMNs</li> <li>• Served DCNs Items IE in S1 Setup Response and MME Configuration Update messages towards eNodeBs</li> </ul>	21.6
First introduced.	21.4

## Feature Description

The Dedicated Core (DECOR) Networks feature allows an operator to deploy one or more dedicated core network within a PLMN, with each core network dedicated for a specific type of subscriber. The specific dedicated core network that serves a UE is selected based on subscription information and operator



configuration, without requiring the UEs to be modified. This feature aims to route and maintain UEs in their respective DCNs.

The DECOR feature can either provide specific characteristics and functions to the UE or subscriber, or isolate them to a UE or subscriber. For example, Machine-to-Machine (M2M) subscribers, subscribers belonging to a specific enterprise or separate administrative domain, and so on.

### UE Usage type Update by ULA command

Dedicated Core selection for UE usage type can be delivered either by Subscription Data of ULA or in AIA according to 3GPP TS 23.401. MME processes the UE Usage Type only in AIA, with release 21.16 re-routing the NAS message by UE Usage Type from ULA is supported. This feature is CLI controlled and disabled by default.

## Overview

Dedicated Core Networks (DCN) enable operators to deploy multiple core networks consisting of one or more MME/SGSN and optionally one or more S-GW/P-GW/PCRF.

If a network deploys a DCN selection based on both LAPI indication and subscription information (MME/SGSN), then DCN selection based on the subscription information provided by MME/SGSN overrides the selection based on the Low Access Priority Indication (LAPI) by RAN.

A new optional subscription information parameter, **UE Usage Type**, stored in the HSS, is used by the serving network to select the DCNs that must serve the UE. The operator can configure DCNs and its serving UE Usage Type as required. Multiple UE Usage Types can be served by the same DCN. The HSS provides the UE Usage Type value in the subscription information of the UE to the MME/SGSN/MSC. The serving network chooses the DCN based on the operator configured (UE Usage Type to DCN) mapping, other locally configured operator's policies, and the UE related context information available at the serving network.




---

**Note** One UE subscription can be associated only with a single UE Usage Type, which describes its characteristics and functions.

---

## External Interfaces

The following components are enhanced to support the DECOR feature on the MME:

### DNS

#### S-GW or P-GW Selection

MME performs S-GW or P-GW selection from DCNs serving UE Usage Type or DCN-ID, based on the configuration in the decor profile.

The existing service parameters of the SNAPTR records are enhanced by appending the character string "+ue-<ue usage type>" or "+ue-<dcn-id>" to the "app-protocol" name identifying the UE usage type(s) or DCN-ID for which the record applies.

For example: S-GW service parameter — x-3gpp-sgw:x-s11+ue-1.10.20 will represent the S-GW which is part of a DCN serving UE usage types or DCN-ID 1, 10, and 20.

For example: P-GW service parameter — `x-3gpp-pgw:x-s5-gtp+ue-1.10.20:x-s8-gtp+ue-1.10.20` will represent the P-GW which is part of a DCN serving UE usage types or DCN-ID 1, 10, and 20.

### MMEGI Retrieval

MME uses local configuration for MMEGI corresponding to the UE Usage Type and DNS SNAPTR procedures.

The configuration options for static (local) or DNS or both are provided under `decor-profile`. If both options are enabled, then DNS is given preference. When DNS lookup fails, static (local) value is used as fallback.

To retrieve the MMEGI identifying the DCN serving a particular UE usage type, the SNAPTR procedure uses the Application-Unique String set to the TAI FQDN. The existing service parameters are enhanced by appending the character string `"ue-<ue usage type>"` or `"ue-<dcn-id>"` to the `"app-protocol"` name identifying the UE usage type for which the discovery and selection procedures are performed.

For example: MME will discover the MMEGI for a particular UE usage type or DCN-ID by using the "Service Parameters" of `"x-3gpp-mme:x-s10+ue-<ue usage type>"` or `"x-3gpp-mme:x-s10+ue-<dcn-id>"`. The service parameters are enhanced to identify the UE usage type(s) for which the record applies. The MMEGI will be provisioned in the host name of the records and MMEGI will be retrieved from the host name.

### MME or S4-SGSN Selection

To perform MME/S4-SGSN selection from the same DCN during handovers, the existing service parameters are enhanced by appending the character string `"ue-<ue usage type>"` or `"ue-<dcn-id>"` to the `"app-protocol"` name identifying the UE usage type.

If the MME fails to find a candidate list for the specific UE Usage Type, it falls back to the legacy DNS selection procedure.

For example:

For an MME to find a candidate set of target MMEs — `"x-3gpp-mme:x-s10+ue-<ue usage type>"` or `"x-3gpp-mme:x-s10+ue-<dcn-id>"`

For an MME to find a candidate set of target SGSNs — `"x-3gpp-sgsn:x-s3+ue-<ue usage type>"` or `"x-3gpp-sgsn:x-s3+ue-<dcn-id>"`




---

**Note** I-RAT handovers between MME and Gn-SGSN is not supported.

---

## S6a (HSS) Interface

To request the UE Usage Type from HSS, MME sets the "Send UE Usage Type" flag in the AIR-Flags AVP, in the AIR command.

The AIR-Flag is set only if the `decor s6a ue-usage-type` CLI command is enabled under MME-service or Call-Control-Profile.

HSS may include the UE-Usage-Type AVP in the AIA response command in the case of `DIAMETER_SUCCESS` or `DIAMETER_AUTHENTICATION_DATA_UNAVAILABLE` result code. MME will store the UE Usage Type in the UE context for both the result codes.

## GTPv2 (MME or S4-SGSN)

MME supports the UE Usage Type IE in Identification Response, Forward Relocation Request, and Context Response Messages. If the subscribed UE Usage Type is available, it will be set to the available value, otherwise the MME encodes the length field of this IE with 0.

Similarly, MME will parse and store the UE Usage Type value when received from the peer node.

## How It Works

MME obtains the UE Usage type and determines the MMEGI that serves the corresponding DCN.

The MME then compares this MMEGI with its own MMEGI to perform a reroute or process further. In case of reroute, the request message is redirected to the appropriate MME. Refer to the [ATTACH/TAU Procedure, on page 307](#) call flow for more information.

The following deployment scenarios are supported when DECOR is enabled on the MME:

- MME can be deployed where the initial request is sent by RAN (eNodeB) when sufficient information is not available to select a specific DCN.
- MME can be deployed as a part of DCN to serve one or more UE Usage Types.
- MME can be deployed as part of a Common Core Network (CCN) or Default Core Network, to serve UE Usage Types for which specific DCN is not available.



---

**Note** An MME can service initial RAN requests and also be a part of a DCN or a CCN. However, a particular MME service can only belong to one DCN or CCN within a PLMN domain.

---

The Dedicated Core Network implements the following functionalities on the MME:

- NAS Message Redirection
- ATTACH and TAU and Handover Procedures
- UE Usage Type support on S6a and GTPv2 interfaces
- S-GW/P-GW DNS selection procedures with UE Usage Type or DCN-ID
- MME/S4-SGSN selection procedures with UE Usage Type or DCN-ID during handovers
- Roaming
- Network Sharing
- DNS based MMEGI selection with UE-Usage-Type or DCN-ID
- DCN ID Support
- HSS/MME initiated DCN reselection
- When UE moves from a service area where DCN is not used to another area where DCN is supported, then MME does not receive the UE-Usage-Type from peer. In this case, MME will do an explicit AIR towards HSS for UE-Usage lookup.

## Flows

This section describes the call flows related to the DECOR feature.

- [P-GW Selection based on ULAs UE Usage Type, on page 306](#)
- [UE Assisted Dedicated Core Network Selection, on page 306](#)
- [NAS Message Redirection Procedure, on page 306](#)
- [ATTACH/TAU Procedure, on page 307](#)
- [HSS Initiated Dedicated Core Network Reselection, on page 310](#)

### P-GW Selection based on ULAs UE Usage Type

MME considers only the UE Usage Type received in ULA for gateway selection and UUT (UE Usage Type) received from peer MME/SGSN including reroute scenarios or in AIA message from HSS or locally configured UUT will not be considered. This feature can be disabled or enabled by CLI. It is disabled by default.

### UE Assisted Dedicated Core Network Selection

The UE assisted Dedicated Core Network Selection feature selects the correct DCN by reducing the need for DECOR reroute by using DCN-ID sent from the UE and DCN-ID used by RAN.

1. The DCN-ID will be assigned to the UE by the serving PLMN and is stored in the UE per PLMN-ID. Both standardized and operator specific values for DCN-ID are acceptable. The UE will use the PLMN specific DCN-ID whenever it is stored for the target PLMN.
2. The HPLMN may provision the UE with a single default standardized DCN-ID that will be used by the UE only if the UE has no PLMN specific DCN-ID of the target PLMN. When a UE configuration is changed with a new default standardized DCN-ID, the UE will delete all stored PLMN specific DCN-IDs.
3. The UE provides the DCN-ID to RAN at registration to a new location in the network, that is, in Attach, TAU, and RAU procedures.
4. RAN selects the serving node MME based on the DCN-ID provided by UE and configuration in RAN. For E-UTRAN, the eNodeB is conveyed with DCNs supported by the MME during setup of the S1 connection in S1 Setup Response.

### UE Usage Type Deletion by DSR Flag

MME processes the User Equipment (UE) Usage Type if it is set in Dynamic Source Routing flag in the Delete Subscriber data at the Home Subscriber Server. MME initiates the 3GPP standard (23.401 section 5.19.3) procedure to redirect Network Access Storage (NAS)/UE if necessary.

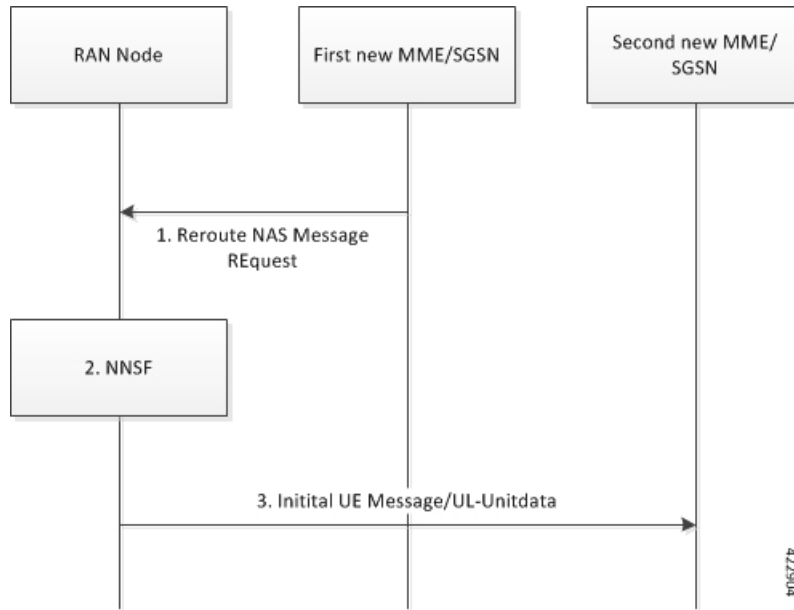
### NAS Message Redirection Procedure

Reroute NAS message is used to reroute a UE from one CN node to another CN node during Attach, TAU, or RAU procedure. This is also used by the MME/SGSN or HSS initiated Dedicated Core Network Reselection procedure.

When the first MME determines the UE Usage Type, it fetches the DCN configuration serving the UE and the corresponding MMEGI (from configuration or DNS). If the MME's MMEGI is not the same as the MMEGI of the DCN, MME moves the UE to another MME using the NAS messaging redirection procedure.

The following call flow illustrates the NAS Message Redirection procedure:

**Figure 22: NAS Message Redirection Procedure**

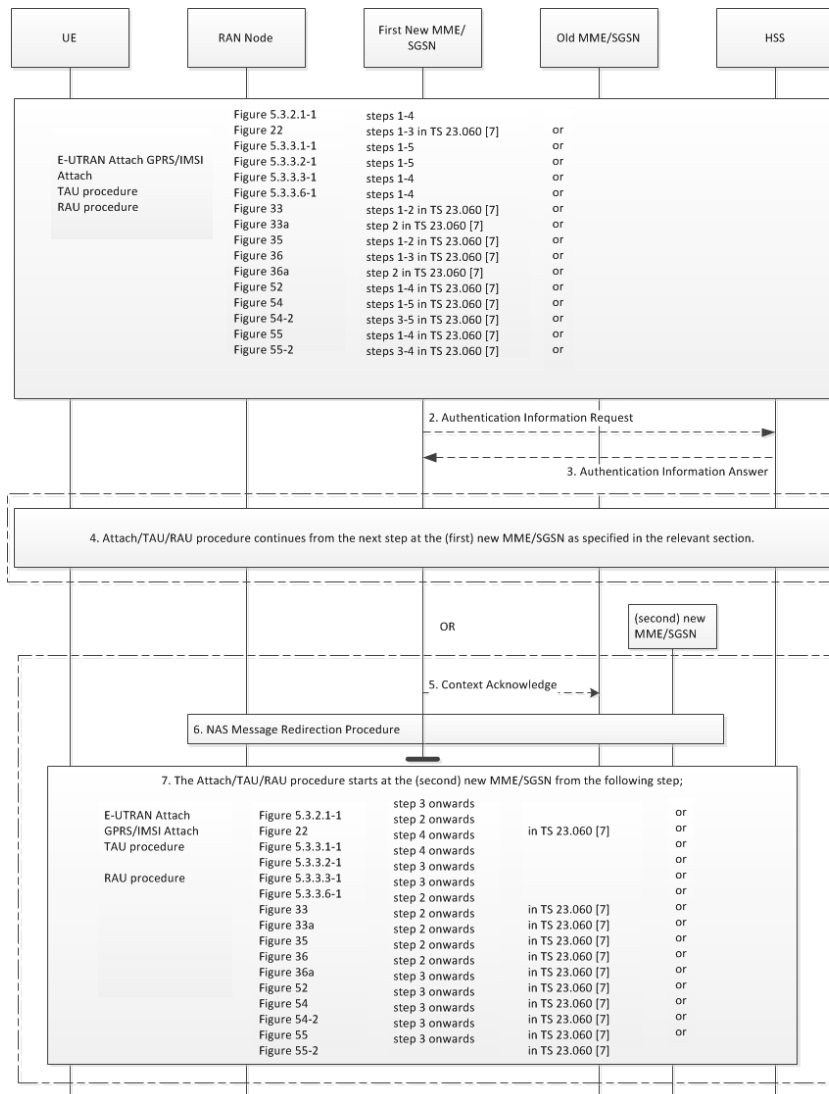


Step	Description
1	The first new MME sends a Reroute NAS Message Request to eNodeB including UE Usage Type and MMEGI among other parameters.
2	RAN selects a new MME based on MMEGI. If no valid MME can be obtained from MMEGI, it selects MME from the CCN or forwards to the same first MME.
3	The second new MME determines from the MMEGI field if the incoming request is a re-routed NAS request or not. Now, if the received MMEGI belongs to the second MME, the call is serviced, else the call is rejected. No further rerouting is performed.  If the UE Usage Type is received by the second MME, it is used for S-GW/P-GW selection.

## ATTACH/TAU Procedure

The following figure illustrates a detailed flow of the ATTACH or TAU procedure.

Figure 23: ATTACH and TAU Procedure



Step	Description
1	<p>In the RRC Connection Complete message transferring the NAS Request message, the UE provides the DCN-ID, if available. If the UE has a PLMN specific DCN-ID, the UE provides this value and if no PLMN specific DCN-ID exists, then the pre-provisioned default standardized DCN-ID will be provided, if pre-provisioned in the UE.</p> <p>The RAN node selects a DCN and a serving MME/SGSN within the network of the selected core network operator based on the DCN-ID and configuration in the RAN node. The NAS Request message is sent to the selected node. The DCN-ID is provided by the RAN to the MME/SGSN together with the NAS Request message.</p>

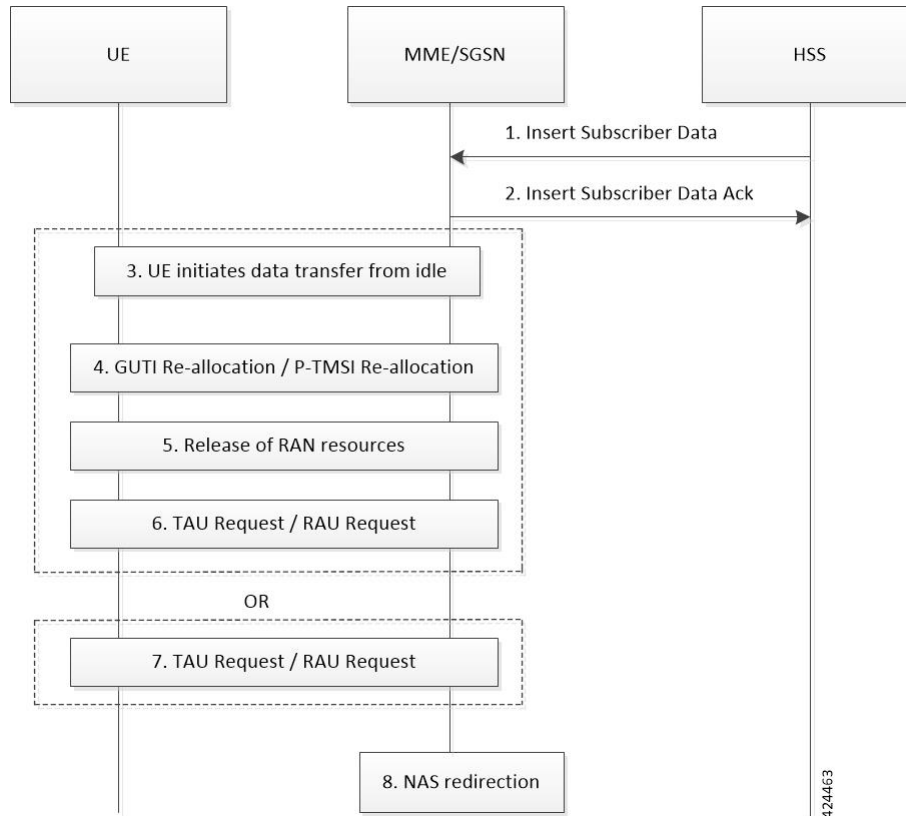
Step	Description
2	<p>The first new MME does not receive the MMEGI from eNodeB. The MME determines the UE Usage Type as follows:</p> <ol style="list-style-type: none"> <li>1. It may receive the UE Usage Type from the peer MME/S4-SGSN.</li> <li>2. It may determine from the locally available UE context information.</li> <li>3. It sends an AIR message to the HSS requesting the UE Usage Type by adding the parameter "Send UE Usage Type" flag in the message. If authentication vectors are available in the database or received from peer, MME will not send the Immediate-Response-Preferred flag in the AIR message.</li> <li>4. It may determine from the local configuration.</li> </ol>
3	<p>When UE Usage Type is available, and if the MME has to send an AIR message to the HSS to fetch authentication vectors, then the "Send UE Usage Type" flag is not set in the AIR message.</p>
4	<p>The first new MME determines to handle the UE:</p> <ol style="list-style-type: none"> <li>1. When there is a configured DCN and the first new MME belongs to the MMEGI serving the DCN.</li> <li>2. It will continue with the call flow.</li> <li>3. The MME/SGSN sends the DCN-ID, if available, for the new DCN to the UE in the NAS Accept message. The UE updates its stored DCN-ID parameter for the serving PLMN if DCN-ID for serving PLMN is changed.</li> </ol>
5	<p>The first new MME determines to reject the UE:</p> <ol style="list-style-type: none"> <li>1. When UE Usage Type is available but without a matching DCN.</li> <li>2. The NAS message is rejected with parameters (for example: T3346 backoff timer) such that the UE does not immediately re-initiate the NAS procedure.</li> </ol>
6	<p>The first new MME determines to reroute the UE:</p> <ol style="list-style-type: none"> <li>1. When there is a configured DCN and the first new MME does not belong to the MMEGI.</li> <li>2. The first new MME sends a Context Acknowledge message with cause code indicating that the procedure is not successful. The old MME/SGSN will continue as if Context Request was never received.</li> <li>3. The first new MME performs the NAS redirection procedure and the request may be routed by RAN to a second new MME.</li> </ol>
7	<p>The second new MME determines to handle the UE or reject it; the MME does not perform another re-route. The process of handling the UE or rejecting the UE is similar to the procedure used in the case of the first new MME.</p> <p>The second new MME does not fetch the UE Usage Type from HSS. It is received either from the RAN node or the old MME.</p>

## HSS Initiated Dedicated Core Network Reselection

This procedure is used by the HSS to update (add, modify, or delete) the UE Usage Type subscription parameter in the serving node. This procedure may result in change of serving node of the UE.

The following call flow illustrates the HSS Initiated DCN Reselection procedure.

**Figure 24: HSS Initiated Dedicated Core Network Reselection Procedure**



Step	Description
1	The HSS sends an Insert Subscriber Data Request (IMSI, Subscription Data) message to the MME. The Subscription Data includes the UE Usage Type information.
2	The MME updates the stored Subscription Data and acknowledges the Insert Subscriber Data Request message by returning an Insert Subscriber Data Answer (IMSI) message to the HSS. The procedure ends if the MME/SGSN continues to serve the UE.
<p>As per this callflow, one of the following steps occur:</p> <ul style="list-style-type: none"> <li>• Steps 3 through 6 occur in case the UE is already in connected mode or UE enters connected mode by initiating data transfer.</li> <li>• Step 7 occurs in case the UE is in idle mode and performs a TAU/RAU procedure.</li> </ul> <p><b>Important</b> Paging is not supported. If the UE is in idle mode, MME waits until the UE becomes active.</p>	



Step	Description
3	The UE initiates NAS connection establishment either by uplink data or by sending a TAU/RAU Request.
4	The MME triggers the GUTI re-allocation procedure and includes a non-broadcast TAI.
5	The MME releases RAN resources and UE is moved to idle mode.
6	The non-broadcast TAI triggers the UE to immediately start the TAU procedure. The MME receives the TAU Request message.
7	The UE performs a TAU request. The MME receives the TAU Request message
8	<p>The MME triggers the NAS Message redirection procedure to redirect the UE if:</p> <ul style="list-style-type: none"> <li>• the UE Usage Type for the UE has been added or modified and if it is not served by the MME</li> <li>• the UE Usage Type has been withdrawn from the HSS subscription data and subscriptions without UE Usage Type are not served by the MME</li> </ul> <p><b>Note</b> HSS Initiated UE Usage Type withdrawal is not supported. The addition or change in usage type is supported.</p>

## Impact to Handover Procedures

This section describes the impact during handover procedures:

- In a forward relocation request, the source MME includes the UE-Usage-Type, if available.
- If an S-GW needs to be relocated, MME applies the UE-Usage-Type or DCN-ID based DNS selection, that is similar to the Attach/TAU procedure.
- MME or S4-SGSN selection during handover considers UE-Usage-Type or DCN-ID.
- The following two scenarios apply to DCNs deployed partially or heterogeneously:
  - Handover from service area where DCN is not used to an area where DCN is supported. In this case, MME does not receive the UE-Usage-Type from peer and MME does an Explicit AIR towards HSS for UE-Usage lookup.
  - The target MME or SGSN obtains the UE-Usage-Type information from the HSS during the subsequent TAU or RAU procedure.
    - If the target MME/SGSN determines that the S-GW does not support the UE-Usage-Type, the target MME/SGSN must trigger the S-GW relocation as part of the handover procedure. S-GW relocation is not supported.
    - If the target MME/SGSN does not serve the UE-Usage-Type, the handover procedure must complete successfully and the target MME initiates the GUTI re-allocation procedure with non-broadcast TAI to change the serving DCN of the UE.

## Roaming

MME in the visited PLMN provides an operator policy that allows to serve a UE whose home PLMN does not support DCNs. MME also provides operator policies that support the UE Usage Type parameter received from the HPLMN HSS.

## Network Sharing

MME supports DCN selection based on the selected PLMN information received from the UE.

## Limitations

The DECOR feature has the following limitations:

- Only one MMEGI can be configured per DCN.
- DCN deployments as part of a PLMN is not supported. The ability to configure DCN for a set of TAI/TAC is not supported.
- HSS Initiated UE usage type withdrawal is not supported. Only change in UE usage type is supported.
- DCNs can be deployed partially or heterogeneously.
  - The target MME or SGSN obtains the UE Usage Type information from the HSS during the subsequent TAU or RAU procedure. If the target MME/SGSN determines that the S-GW does not support the UE Usage Type, the target MME/SGSN must trigger the S-GW relocation as part of the handover procedures.
    - S-GW relocation is not supported.

## Standards Compliance

The DECOR feature complies with the following standards:

- 3GPP 23.401 Release 14.5.0 - General Packet Radio Service (GPRS) enhancements for Evolved Universal Terrestrial Radio Access Network (E-UTRAN) access
- 3GPP 29.272 Release 14.6.0 - Digital cellular telecommunications system (Phase 2+) (GSM); Universal Mobile Telecommunications System (UMTS); LTE; Diameter applications; 3GPP specific codes and identifiers
- 3GPP 29.274 Release 14.5.0 - Universal Mobile Telecommunications System (UMTS); LTE; 3GPP Evolved Packet System (EPS); Evolved General Packet Radio Service (GPRS) Tunnelling Protocol for Control plane (GTPv2-C); Stage 3
- 3GPP 29.303 Release 14.3.0 - Universal Mobile Telecommunications System (UMTS); LTE; Domain Name System Procedures; Stage 3

## Configuring DECOR on MME

This section describes the CLI commands to configure the DECOR feature.

This feature supports the following configurations:

- DCN profile with
  - UE-Usage-Type
  - Static MMEGI
  - DNS lookup for MMEGI
  - PLMN
  - DCN-ID
  - Relative Capacity for the served DCN
  - DNS Service parameters using UE Usage Type or DCN-ID for S-GW / P-GW / MME / S4-SGSN selection / MMEGI lookup using DNS
- Associate DCNs to a specific RAT Type under MME service
- Associate multiple DCN profiles (to designate dedicated or default core network) under MME service
- Associate DCNs to a specific RAT Type under Call-Control-Profile
- Associate multiple DCN profiles (to designate dedicated or default core network) under Call-Control-Profile
- Non-broadcast TAI
- Request UE-Usage-Type from HSS on S6a interface
- UE-Usage-Type per IMSI/IMEI range

## Configuring custom-actions ula gw-selection

Use the following configuration to enable GW selection based on UUT received in ULA.

**configure**

```
mme-service mme_service_name
  [ no ] decor custom-actions ula gw-selection
end
```

**NOTES:**

- **no**: Removes the DECOR configuration.
- **decor**: Specifies the DECOR configuration.
- **custom-actions** : Configures specific decor actions.
- **ula** :Configure UUT actions in ULA message
- **gw-selection**: Enables GW selection based on UUT received in ULA.

## Configuring DECOR Profile

Use the following configuration to create and configure a DECOR profile by specifying the MMEGI hosting the DCN and the associated UE usage type using that DCN.

### configure

```
[ no ] decor-profile profile_name [ -noconfirm ]
    dcn-id dcn_id
    dns service-param ue-usage-type
    [ no ] mmegi { mmegi_value | dns }
    plmn-id mcc mcc_id mnc mnc_id
    served-dcn [ relative-capacity capacity ]
    [ no ] ue-usage-types num_ue_usage_types
no { dcn-id | dns service-param | plmn-id | served-dcn }
end
```

### NOTES:

- **decor-profile** *profile\_name*: Configures the DECOR feature as deployed by operator. A DECOR profile without any UE Usage Types configuration is treated as a Common Core Network. *profile\_name* must be an alphanumeric string of 1 through 63 characters.

Entering the **decor-profile** *profile\_name* command results in the following prompt and changes to the Decor Profile Configuration mode:

```
[context_name]host_name(config-decor-profile-<profile_name>)#
```

- **dns service-param ue-usage-type**: Configures the service parameter to select peer nodes using UE Usage Type or DCN-ID for S-GW / P-GW / MME / S4-SGSN / MMEGI lookup using DNS.
    - **service-param**: Configures the service parameter types used for DNS peer lookup.
    - **ue-usage-type**: Configures the UE Usage type that will be used for DNS service parameter.
    - For UE Usage Type based DECOR configuration:
      - If only UE-USAGE-TYPE is configured, DNS lookup uses UE-USAGE-TYPE.
      - If only DCN-ID is configured, DNS lookup uses DCN-ID without **dns service-param ue-usage-type** CLI command or UE-USAGE-TYPE with **dns service-param ue-usage-type** CLI (default profile).
      - If both UE-USAGE-TYPE and DCN-ID are configured, DCN-ID is used without **dns service-param ue-usage-type** CLI command or UE-USAGE-TYPE with **dns service-param ue-usage-type** CLI command.
      - If both UE-USAGE-TYPE and DCN-ID are not configured, DNS lookup uses UE-USAGE-TYPE (default profile).
  - **dcn-id** *dcn\_id*: Configures the DCN identifier for the specified DECOR profile. *dcn\_id* must be an integer from 0 to 65535.
  - **mmegi** { *mmegi\_value* | **dns** }: Identifies the MME Group Identifier (MMEGI) of the configured DCN. *mmegi\_value* must be an integer from 32768 to 65535.
- dns**: Enables DNS for MMEGI retrieval using UE Usage Type.

The **mmegi dns** command will work only when the **dns peer-mme** command is enabled under MME-service.

- **plmn-id mcc *mcc\_id* mnc *mnc\_id***: Configures the PLMN identifier for the specified DECOR profile. This supports network sharing with different MMEGIs for different PLMNs.
  - mcc *mcc\_id***: Configures the mobile country code (MCC) for the specified DECOR profile. *mcc\_id* must be a 3-digit number between 000 to 999.
  - mnc *mnc\_id***: Configures the mobile network code (MNC) for the specified DECOR profile. *mnc\_id* must be a 2- or 3-digit number between 00 to 999.
- **served-dcn [ relative-capacity *capacity* ]**: Configures the MME that is serving the DCN and its relative capacity. These values are sent by MME to eNodeB during S1 Setup Response to indicate DCN-IDs served by the MME and their relative capacity.
  - relative-capacity *capacity***: Set the relative capacity of this DCN. *capacity* must be an integer from 0 to 255. The default relative-capacity is 255.
- **ue-usage-types *num\_ue\_usage\_types***: Specifies the number of UE Usage Types in the dedicated core network. *num\_ue\_usage\_types* is an integer from 0 to 255.
  - A maximum number of 20 UE Usage Types are supported per DCN.
- **no**: Removes the specified DECOR parameters from the Global Configuration.
- MME will send the "MME CONFIGURATION UPDATE" message to all connected eNodeBs when a new DECOR profile is created with **served-dcn relative-capacity** and **dcn-id** CLI commands.
- MME will send the "MME CONFIGURATION UPDATE" message to all connected eNodeBs whenever there is a change in **served-dcn relative-capacity** or **dcn-id** CLI commands in a DECOR profile.

## Associating a DECOR Profile under MME Service

Use the following configuration to associate a DECOR profile with an MME service.

```
configure
  context context_name
    mme-service service_name
      [ no ] associate decor-profile profile_name access-type { all | eutran
| nb-iot }
    end
```

### NOTES:

- **associate**: Associates a DECOR profile with an MME service.
- **decor-profile *profile\_name***: Specifies the DECOR profile that is associated with the MME Service.
- **access-type**: Configures the type of network access — E-UTRAN, NB-IoT, or both.
  - **all** : Specifies to allow all access types.
  - **eutran**: Specifies the access type as E-UTRAN.
  - **nb-iot**: Specifies the access-type as NB-IoT.
- **no**: Removes the specified DECOR profile from the configuration.

- A maximum number of 16 DECOR profiles can be associated to an MME service.

## Associating a DECOR Profile under Call Control Profile

Use the following configuration to associate a DECOR profile under call control profile.

```
configure
  call-control-profile profile_name
    [ remove ] associate decor-profile profile_name [ access-type { all |
eutan | nb-iot } ]
  end
```

### NOTES:

- **associate**: Associates a DECOR profile under call control profile.
- **decor-profile** *profile\_name*: Specifies the DECOR profile that is associated with the call control profile. *profile\_name* must be an alphanumeric string of 1 through 63 characters.
- **access-type**: Configures the type of network access for the DECOR profile — E-UTRAN, NB-IoT, or both.
  - **all** : Specifies allows all access types.
  - **eutan**: Specifies the access type as E-UTRAN.
  - **nb-iot**: Specifies the access-type as NB-IoT.
- **remove**: Removes the specified DECOR profile from the configuration.
- A maximum number of 16 DECOR profile associations can be configured for the call control profile.

## Configuring nas-reroute reject

Use the following configuration to configure NAS re-route reject.

```
configure
  context context_name
    mme-service service_name
      [ no ] decor custom-actions ula nas-reroute [ reject ]
    end
```

### NOTES:

- **no**: Removes the configuration of NAS re-route reject.
- **decor**: Specifies the Dedicated Core Network Configuration.
- **custom-actions**: Configures specific decor actions.
- **ula**: Configures the UUT actions in ULA message.
- **nas-reroute**: Enables NAS re-route based on Ue-Usage-Type received in ULA.
- **reject**: Rejects the rerouted call based on Ue-Usage-Type received in ULA.

## Configuring UE Usage Type over S6a Interface under MME Service

Use the following configuration to advertise or request UE Usage Type over S6a interface.

```
configure
  context context_name
    mme-service service_name
      [ no ] decor s6a ue-usage-type
    end
```

### NOTES:

- **decor**: Specifies the DECOR configuration.
- **s6a**: Configures the S6a interface.
- **ue-usage-type**: Specifies the UE Usage Type that needs to be sent in the Authentication-Information-Request message over S6a interface.
- **no**: Disables the specified configuration.

## Configuring UE Usage Type over S6a Interface under Call Control Profile

Use the following configuration to disable UE Usage Type requests over the S6a interface.

```
configure
  call-control-profile profile_name
    decor s6a ue-usage-type [ suppress ]
    remove decor s6a ue-usage-type
  end
```

### NOTES:

- **decor**: Specifies the DECOR configuration.
- **s6a**: Enables the DECOR S6a configuration.
- **ue-usage-type**: Requests the UE Usage Type in S6a Authentication-Information-Request message.
- **suppress**: Suppresses sending the UE Usage Type in S6a Authentication-Information-Request message.
- **remove**: Removes the DECOR configuration.
- The configuration under call control profile overrides the MME service configuration.

## Configuring UE Usage Type under Call Control Profile

Use the following configuration to locally configure the UE Usage Types for UEs matching the Call Control Profile criteria.

```
configure
  call-control-profile profile_name
    decor ue-usage-type usage_type_value
    remove decor ue-usage-type
  end
```

**NOTES:**

- **decor**: Specifies the DECOR configuration.
- **ue-usage-type** *usage\_type\_value*: Configures a UE Usage Type locally. *usage\_type\_value* must be an integer from 0 to 255.
- **remove**: Removes the specified configuration.

## Configuring Non-Broadcast TAI

Use the following configuration to configure non-broadcast TAI. The configuration is added in support of HSS Initiated Dedicated Core Network Reselection.

When HSS sends ISDR with different UE-Usage-Type value other than what is already used by the subscriber and MME decides to move that UE to a new DCN, MME will send the GUTI Reallocation command with unchanged GUTI and non-broadcast TAI.

```
configure
context context_name
  mme-service service_name
    tai non-broadcast mcc mcc_id mnc mnc_id tac tac_id
  no tai non-broadcast
end
```

**NOTES:**

- **tai non-broadcast mcc** *mcc\_id* **mnc** *mnc\_id* **tac** *tac\_id*: Specifies the Tracking Area Identity (TAI) which is not assigned to any area.
- **mcc** *mcc\_id*: Configures the mobile country code (MCC) for the specified decor profile. *mcc\_id* must be a 3-digit number between 000 to 999.
- **mnc** *mnc\_id*: Configures the mobile network code (MNC) for the specified decor profile. *mnc\_id* must be a 2- or 3-digit number between 00 to 999.
- **tac** *tac\_id*: Configures the tracking area code (TAC) for the specified decor profile. *tac\_id* must be an integer from 0 to 65535.
- **no**: Deletes the specified configuration.

## Monitoring and Troubleshooting

This section provides information on the show commands available to support DECOR on MME.

### Show Commands and/or Outputs

This section provides information regarding show commands and/or their outputs in support of the DECOR feature.

#### show decor-profile full all

The output of this command includes the following information



- Decor Profile Name — Displays the configured decor-profile name.
- UE Usage Types — Displays the configured UE usage types.
- MMEGI — Displays the MMEGI value.
- DNS — Indicates whether DNS is enabled or disabled.
- DCN Id — Displays the configured DCN identifier. Displays "Not Defined" if not configured.
- PLMN Id — Displays the configured PLMN identifier. Displays "Not Defined" if not configured.
- Serving DCN — Indicates whether MME is serving the DCN. Displays "Not Defined" if not configured.
  - Relative capacity — Indicates the configured relative capacity.
- DNS Service Param — Displays the configured DNS service parameter.

## show mme-service all

The output of this command includes the following DECOR information:

- GW selection based on ULA - UUT - indicates if the GW selection based on ULA - UUT is enabled or disabled.
- NAS reroute based on ULA-UeUsageType - indicates if the NAS reroute based on ULA-UeUsageType is enabled or disabled.
- Reject the rerouted call in ULA - indicates if the Reject the rerouted call in ULA is enabled or disabled.

## show mme-service name <mme\_svc\_name>

The output of this command includes the following information:

- Non-Broadcast TAI — Displays the configured values for MCC, MNC, and TAC.

## show mme-service session full all

The output of this command includes the following DECOR information:

- DECOR Information:
  - UE Usage type
  - DCN Id

## show mme-service statistics decor decor-profile <decor\_profile\_name>

This show command displays the DECOR statistics for a specified DECOR profile. The DECOR profile level statistics are pegged only if a DECOR profile is configured.

The output of this command includes the following information:

- Decor Statistics
  - Attached Calls

```
show mme-service statistics decor decor-profile <decor_profile_name>
```

- Initial Requests
  - ATTACH
    - Accepts
    - Reroutes
    - Rejects
- TAU
  - Accepts
  - Reroutes
  - Rejects
- Rerouted Requests
  - ATTACH
    - Accepts
    - Rejects
  - TAU
    - Accepts
    - Rejects
- UE-Usage-Type Source
  - HSS
  - UE Context
  - Peer MME
  - Peer SGSN
  - Config
  - eNB
- GUTI Reallocation Cmd due to UE-Usage-Type Change
  - Attempted
  - Success
  - Failures
- Handover from service area
  - DCN
  - Non DCN

- Explicit AIR
  - Attach
  - Inbound relocation
  - Inbound relocation using TAU procedure
- ISDR UE-Usage-Type Change
- MMEGI Selection
  - DNS
  - Local
  - Failure
- Node Selection
  - SGW DNS
    - Common
    - Dedicated
  - SGW Local Config
    - Common
  - PGW DNS
    - Common
    - Dedicated
  - PGW Local Config
    - Common
  - MME DNS
    - Common
    - Dedicated
  - MME Local Config
    - Common
  - SGSN DNS
    - Common
    - Dedicated
  - SGSN Local Config
    - Common

## show mme-service statistics decor

The output of this command includes the following information:

- Decor Statistics
  - Attached Calls
  - Initial Requests
    - ATTACH
      - Accepts
      - Reroutes
      - Rejects
    - TAU
      - Accepts
      - Reroutes
      - Rejects
  - Rerouted Requests
    - ATTACH
      - Accepts
      - Rejects
    - TAU
      - Accepts
      - Rejects
  - UE-Usage-Type Source
    - HSS
    - UE Context
    - Peer MME
    - Peer SGSN
    - Config
    - eNodeB
  - GUTI Reallocation Cmd due to UE-Usage-Type Change
    - Attempted
    - Success

- Failures
- Handover from service area
  - DCN
  - Non DCN
- Explicit AIR
  - Attach
  - Inbound relocation
  - Inbound relocation using TAU procedure
- ISDR UE-Usage-Type Change
- MMEGI Selection
  - DNS
  - Local
  - Failure
- Node Selection
  - SGW DNS
    - Common
    - Dedicated
  - SGW Local Config
    - Common
  - PGW DNS
    - Common
    - Dedicated
  - PGW Local Config
    - Common
  - MME DNS
    - Common
    - Dedicated
  - MME Local Config
    - Common

- SGSN DNS
  - Common
  - Dedicated
- SGSN Local Config
  - Common

## show mme-service statistics

The output of this command includes the following information at an MME service level:

- S1AP Statistics
  - Reroute NAS Requests
- Decor Statistics
  - Attached Calls
  - Initial Requests
    - ATTACH
      - Accepts
      - Reroutes
      - Rejects
  - TAU
    - Accepts
    - Reroutes
    - Rejects
- Rerouted Requests
  - ATTACH
    - Accepts
    - Rejects
  - TAU
    - Accepts
    - Rejects
- UE-Usage-Type Source
  - HSS

- UE Context
- Peer MME
- Peer SGSN
- Config
- eNodeB
  
- GUTI Reallocation Cmd due to UE-Usage-Type Change
  - Attempted
  - Success
  - Failures
  
- Handover from service area
  - DCN
  - Non DCN
  
- Explicit AIR
  - Attach
  - Inbound relocation
  - Inbound relocation using TAU procedure
  
- ISDR UE-Usage-Type Change
  
- MMEGI Selection
  - DNS
  - Local
  - Failure
  
- Node Selection
  - SGW DNS
    - Common
    - Dedicated
  
  - SGW Local Config
    - Common
  
  - PGW DNS
    - Common
    - Dedicated

- PGW Local Config
  - Common
- MME DNS
  - Common
  - Dedicated
- MME Local Config
  - Common
- SGSN DNS
  - Common
  - Dedicated
- SGSN Local Config
  - Common

## show mme-service statistics recovered-values

The output of this command includes the following information:

Decor Statistics:

- Initial Requests
  - ATTACH
    - Accepts
    - Reroutes
    - Rejects
  - TAU
    - Accepts
    - Reroutes
    - Rejects
- Rerouted Requests
  - ATTACH
    - Accepts
    - Rejects
  - TAU



- Accepts
- Rejects

## Bulk Statistics

The MME schema and MME Decor schema include the supported bulk statistics for the DECOR feature.

### MME Schema

The following bulk statistics are added in the MME schema:

Bulk Statistics	Description
mme-decor-attached-subscriber	Indicates the number of MME sessions attached that have an associated UE usage type.
mme-decor-initial-attach-req-accept	Indicates the total number of Initial Attach Requests accepted by the MME, which functions as a DCN.
mme-decor-initial-attach-req-reroute	Indicates the total number of Initial Attach Requests which are rerouted by the MME, which functions as a DCN.
mme-decor-initial-attach-req-reject	Indicates the total number of Initial Attach Rejects due to No Reroute data and not handled by the MME, which functions as a DCN.
mme-decor-reroute-attach-req-accept	Indicates the total number of Rerouted Attach Requests which are accepted by the MME, which functions as a DCN.
mme-decor-reroute-attach-req-reject	Indicates the total number of Rerouted Attach Requests which are rejected by the MME, which functions as a DCN.
mme-decor-initial-tau-req-accept	Indicates the total number of Initial TAU Requests accepted by the MME, which functions as a DCN.
mme-decor-initial-tau-req-reroute	Indicates the total number of Initial TAU Requests which are rerouted by the MME, which functions as a DCN.
mme-decor-initial-tau-req-reject	Indicates the total number of Initial TAU Rejects due to No Reroute data and not handled by the MME, which functions as a DCN.
mme-decor-reroute-tau-req-accept	Indicates the total number of Rerouted TAU Requests which are accepted by the MME, which functions as a DCN.
mme-decor-reroute-tau-req-reject	Indicates the total number of Rerouted TAU Requests which are rejected by the MME, which functions as a DCN.
mme-decor-ue-usage-type-src-hss	Indicates the number of MME subscriber sessions, where UE usage type was obtained from HSS/AUC.

Bulk Statistics	Description
mme-decor-ue-usage-type-src-ue-ctxt	Indicates the number of MME subscriber sessions, where UE usage type was obtained from MME DB record.
mme-decor-ue-usage-type-src-peer-mme	Indicates the number of MME subscriber sessions, where UE usage type was obtained from peer MME as part of handover.
mme-decor-ue-usage-type-src-peer-sgsn	Indicates the number of MME subscriber sessions, where UE usage type was obtained from peer SGSN as part of handover.
mme-decor-ue-usage-type-src-cfg	Indicates the number of MME subscriber sessions, where UE usage type was obtained from local configuration.
mme-decor-ue-usage-type-src-enb	Indicates the number of MME subscriber sessions, where UE usage type was obtained from the eNodeB, in the S1 message as part of reroute.
mme-decor-sgw-sel-dns-common	Indicates the number of times S-GW DNS selection procedures were performed with DNS RR excluding UE usage type. This counter increments only when the DNS RR with UE usage type is absent.
mme-decor-sgw-sel-dns-dedicated	Indicates the number of times S-GW DNS selection procedures were performed with DNS RR including UE usage type parameter(s). This counter increments only when the DNS RR with UE usage type is present.
mme-decor-sgw-sel-local-cfg-common	Indicates the number of times S-GW selection procedures were performed with locally configured S-GW address, without considering the UE usage type.
mme-decor-pgw-sel-dns-common	Indicates the number of times PGW DNS selection procedures were performed with DNS RR excluding UE usage type. This counter increments only when the DNS RR with UE usage type is absent.
mme-decor-pgw-sel-dns-dedicated	Indicates the number of times S-GW DNS selection procedures were performed with DNS RR including UE usage type parameter(s). This counter increments only when the DNS RR with UE usage type is present.
mme-decor-pgw-sel-local-cfg-common	Indicates the number of times P-GW selection procedures were performed with locally configured P-GW address without considering the UE usage type.

Bulk Statistics	Description
mme-decor-mme-sel-dns-common	<p>Indicates the number of times MME DNS selection procedures were performed with DNS RR excluding UE usage type.</p> <p>This counter increments only when the DNS RR with UE usage type is absent.</p>
mme-decor-mme-sel-dns-dedicated	<p>Indicates the number of times MME DNS selection procedures were performed with DNS RR including UE usage type parameter(s).</p> <p>This counter increments only when the DNS RR with UE usage type is present.</p>
mme-decor-mme-sel-local-cfg-common	<p>Indicates the number of times MME selection procedures were performed with locally configured MME address without considering the UE usage type.</p>
mme-decor-sgsn-sel-dns-common	<p>Indicates the number of times SGSN DNS selection procedures were performed with DNS RR excluding UE usage type.</p> <p>This counter increments only when the DNS RR with UE usage type is absent.</p>
mme-decor-sgsn-sel-dns-dedicated	<p>Indicates the number of times SGSN DNS selection procedures were performed with DNS RR including UE usage type parameter(s).</p> <p>This counter increments only when the DNS RR with UE usage type is present.</p>
mme-decor-handover-srv-area-dcn	<p>Indicates the total number of inbound handovers from the service area where DCN is supported.</p> <p>This counter increments for every inbound handover from DCN service area.</p>
mme-decor-handover-srv-area-non-dcn	<p>Indicates the total number of inbound handovers from the service area where DCN is not supported.</p> <p>This counter increments for every inbound handover from non DCN service area.</p>
mme-decor-explicit-air-attach	<p>Indicates the number of explicit AIR messages during Attach.</p> <p>This counter increments when MME triggers an explicit AIR during Attach.</p>
mme-decor-explicit-air-in-reallocation	<p>Indicates the number of explicit AIR messages during inbound relocation.</p> <p>This counter increments when MME triggers explicit an AIR during inbound relocation.</p>

Bulk Statistics	Description
mme-decor-explicit-air-tau-in-reallocation	Indicates the number of explicit AIR messages during inbound relocation using TAU.  This counter increments when MME triggers an explicit AIR during inbound relocation using TAU.
mme-decor-sgsn-sel-local-cfg-common	Indicates the number of times SGSN selection procedures were performed with locally configured SGSN address without considering the UE usage type.
s1ap-transdata-reroutenasreq	Indicates the number of S1 Reroute NAS Request Message sent by MME.
mme-decor-mmegi-sel-dns	Indicates the total number of times MMEGI is selected through DNS from a dedicated pool (DNS records having UE Usage Type which is matching).
mme-decor-mmegi-sel-local-cfg	Indicates the total number of times MMEGI is selected from local configuration.
mme-decor-mmegi-sel-fail	Indicates the total number of times MMEGI is selected from failure.
mme-decor-guti-reallocation-attempted	This proprietary counter tracks the number of GUTI Reallocation procedures attempted due to UE-Usage-Type Change from HSS through ISDR OR after connected mode handover and UE-Usage-Type not served by the MME (NAS GUTI Reallocation Command message was sent by MME).
mme-decor-guti-reallocation-success	Tracks the number of GUTI Reallocation procedures successful.
mme-decor-guti-reallocation-failures	Tracks the number of GUTI Reallocation procedure failures.
mme-decor-isdr-ue-usage-type-change	Tracks the number of ISDR Messages received with different UE-Usage-Type from the HSS.
recovered-mme-decor-initial-attach-req-accept	Indicates the total number of Initial Attach Requests accepted by the MME, which functions as a DCN.
recovered-mme-decor-initial-attach-req-reroute	Indicates the total number of Initial Attach Requests which are rerouted by the MME, which functions as a DCN.
recovered-mme-decor-initial-attach-req-reject	Indicates the total number of Initial Attach Rejects without the reroute data and that are not handled by the MME, which functions as a DCN.
recovered-mme-decor-reroute-attach-req-accept	Indicates the total number of Rerouted Attach Requests which are accepted by the MME, which functions as a DCN.
recovered-mme-decor-reroute-attach-req-reject	Indicates the total number of Rerouted Attach Requests which are rejected by the MME, which functions as a DCN.

Bulk Statistics	Description
recovered-mme-decor-initial-tau-req-accept	Indicates the total number of Initial TAU Requests accepted by the MME, which functions as a DCN.
recovered-mme-decor-initial-tau-req-reroute	Indicates the total number of Initial TAU Requests which are rerouted by the MME, which functions as a DCN.
recovered-mme-decor-initial-tau-req-reject	Indicates the total number of Initial TAU Rejects due to No Reroute data and not handled by the MME, which functions as a DCN.
recovered-mme-decor-reroute-tau-req-accept	Indicates the total number of Rerouted TAU Requests which are accepted by the MME, which functions as a DCN.
recovered-mme-decor-reroute-tau-req-reject	Indicates the total number of Rerouted TAU Requests which are rejected by the MME, which functions as a DCN.

## MME Decor Schema

The following bulk statistics for a specific decor-profile are added in the MME Decor schema:

Bulk Statistics	Description
mme-decor-profile-name	Indicates the name of the DECOR profile.
mme-decor-profile-attached-subscriber	Indicates the total number of subscribers on the MME which is acting as a DCN.
mme-decor-profile-initial-attach-req-accept	Indicates the total number of Initial Attach Requests accepted by the MME that is acting as a DCN.
mme-decor-profile-initial-attach-req-reroute	Indicates the total number of Initial Attach Requests which are rerouted by the MME that is acting as a DCN.
mme-decor-profile-initial-attach-req-reject	Indicates the total number of Initial Attach Rejects due to No Reroute Data and not handled by the MME that is acting as a DCN.
mme-decor-profile-reroute-attach-req-accept	Indicates the total number of Rerouted Attach Requests which are accepted by the MME that is acting as a DCN.
mme-decor-profile-reroute-attach-req-reject	Indicates the total number of Rerouted Attach Requests which are rejected by the MME that is acting as a DCN.
mme-decor-profile-initial-tau-req-accept	Indicates the total number of Initial TAU Requests accepted by the MME that is acting as a DCN.
mme-decor-profile-initial-tau-req-reroute	Indicates the total number of Initial TAU Requests which are rerouted by the MME that is acting as a DCN.
mme-decor-profile-initial-tau-req-reject	Indicates the total number of Initial TAU Rejects due to No Reroute Data and not handled by the MME that is acting as a DCN.

Bulk Statistics	Description
mme-decor-profile-reroute-tau-req-accept	Indicates the total number of Rerouted TAU Requests which are accepted by the MME that is acting as a DCN.
mme-decor-profile-reroute-tau-req-reject	Indicates the total number of Rerouted TAU Requests which are rejected by the MME that is acting as a DCN.
mme-decor-profile-ue-usage-type-src-hss	Indicates the total number of times UE Usage Type is received from the HSS and used by the MME.
mme-decor-profile-ue-usage-type-src-ue-ctxt	Indicates the total number of times UE Usage Type is fetched from the local DB Record and used by the MME.
mme-decor-profile-ue-usage-type-src-peer-mme	Indicates the total number of times UE Usage Type is received from the peer MME and used by the MME.
mme-decor-profile-ue-usage-type-src-peer-sgsn	Indicates the total number of times UE Usage Type is received from the peer SGSN and used by the MME.
mme-decor-profile-ue-usage-type-src-cfg	Indicates the total number of times UE Usage Type is fetched from the local configuration and used by the MME.
mme-decor-profile-ue-usage-type-src-enb	Indicates the total number of times UE Usage Type is received from the eNodeB and used by the MME.
mme-decor-profile-sgw-sel-dns-common	Indicates the total number of times S-GW is selected through DNS from a common pool (DNS records without UE Usage Type).
mme-decor-profile-sgw-sel-dns-dedicated	Indicates the total number of times S-GW is selected through DNS from a dedicated pool (DNS records with matching UE Usage Type).
mme-decor-profile-sgw-sel-local-cfg-common	Indicates the total number of times S-GW is selected from the local configuration without UE Usage Type.
mme-decor-profile-pgw-sel-dns-common	Indicates the total number of times P-GW is selected through DNS from a common pool (DNS records without UE Usage Type).
mme-decor-profile-pgw-sel-dns-dedicated	Indicates the total number of times P-GW is selected through DNS from a dedicated pool (DNS records with matching UE Usage Type).
mme-decor-profile-pgw-sel-local-cfg-common	Indicates the total number of times P-GW is selected from the local configuration without UE Usage Type.
mme-decor-profile-mme-sel-dns-common	Indicates the total number of times MME is selected through DNS from a common pool (DNS records without UE Usage Type).

Bulk Statistics	Description
mme-decor-profile-mme-sel-dns-dedicated	Indicates the total number of times MME is selected through DNS from a dedicated pool (DNS records with matching UE Usage Type).
mme-decor-profile-mme-sel-local-cfg-common	Indicates the total number of times MME is selected from the local configuration without UE Usage Type.
mme-decor-profile-sgsn-sel-dns-common	Indicates the total number of times SGSN is selected through DNS from a common pool (DNS records without UE Usage Type).
mme-decor-profile-sgsn-sel-dns-dedicated	Indicates the total number of times SGSN is selected through DNS from a dedicated pool (DNS records with matching UE Usage Type).
mme-decor-profile-sgsn-sel-local-cfg-common	Indicates the total number of times SGSN is selected from the local configuration without UE Usage Type.
mme-decor-profile-mmegi-sel-dns	Indicates the total number of times MMEGI is selected through DNS from a dedicated pool (DNS records with matching UE Usage Type).
mme-decor-profile-mmegi-sel-local-cfg	Indicates the total number of times MMEGI is selected from the local configuration.
mme-decor-profile-mmegi-sel-fail	Indicates the total number of times MMEGI selection failed.
mme-decor-profile-guti-reallocation-attempted	Indicates the number of GUTI Reallocation procedures attempted due to UE-Usage-Type Change from HSS through ISDR OR after connected mode handover and UE-Usage-Type not served by this MME (NAS GUTI Reallocation Command message was sent by MME).
mme-decor-profile-guti-reallocation-success	Indicates the number of successful GUTI Reallocation procedures.
mme-decor-profile-guti-reallocation-failures	Indicates the number of failed GUTI Reallocation procedures.
mme-decor-profile-isdr-ue-usage-type-change	Indicates the number of ISDR Messages received with different UE-Usage-Type from the HSS.
mme-decor-profile-explicit-air-attach	Indicates the number of explicit AIR messages during Attach.
mme-decor-profile-explicit-air-in-relocation	Indicates the number of explicit AIR messages during inbound relocation.
mme-decor-profile-explicit-air-tau-in-relocation	Indicates the number of explicit AIR messages during inbound relocation using TAU.
mme-decor-profile-handover-srv-area-dcn	Indicates the total number of inbound handovers from the service area where DCN is supported.

Bulk Statistics	Description
mme-decor-profile-handover-srv-area-non-dcn	Indicates the total number of inbound handovers from the service area where DCN is not supported.





## CHAPTER 29

# Default APN for DNS Failure

With Release 18.2, it is possible for the operator to configure the MME to use a default APN in some situations where the DNS resolution fails due to a problem with the subscriber-requested APN. As a result, the Attach could proceed or the PDP context activation could complete.

- [Feature Description, on page 335](#)
- [How It Works, on page 336](#)
- [Configuring Default APN for DNS Failure, on page 337](#)

## Feature Description

The Default APN for DNS Failure feature makes it possible for the operator to ensure that calls and PDP context activation are not rejected because of possible UE errors, such as, the UE requested a misspelled APN name. This feature allows the operator to promote activation success if

- the DNS query would fail

when

- the subscriber-requested APN is not present in the subscription record,

and if

- the wildcard subscription is present in the subscription record.

This functionality is configured with the use of the **require-dns-fail-wildcard** keyword. This keyword is currently supported only on MME.

By default, this new functionality is not enabled. If not enabled, then the MME sends a PDN connectivity reject to the eNodeB if the DNS resolution fails for the reasons indicated above.

## Relationships to Other Features

**Operator Policy** - Default APN for DNS Failure is configured with the commands in the APN Remap Table configuration mode which is a key component of the Operator Policy feature. For information about this feature, see the chapter on *Operator Policy*.

## How It Works

With the Default APN for DNS Failure enabled by configuring the 'required-dns-fail-wildcard', if DNS resolution fails because the UE-requested APN name is not present in the subscription record but the wildcard subscription is present, then MME overrides the requested APN with a configured default APN. The MME proceeds with the DNS resolution of the configured default APN and then proceeds with the Attach or PDP context activation.

The MME checks the subscription record with the configured default APN. If subscription record of the configured default APN is available, then the MME takes the QoS profile and the ARP values from that record. If the subscription record is not available, then the MME checks the QoS profile and ARP values included in the wildcard subscription record.

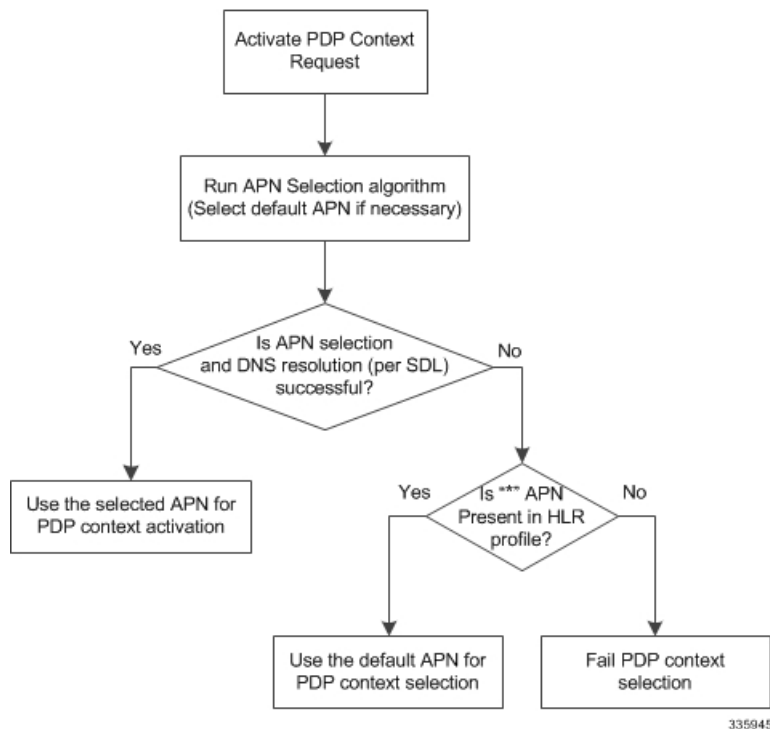


**Important** Note that DNS query will be retried with default APN only once. If DNS resolution fails again, even after applying the configured default APN, then the Activation Request will be rejected.

## Architecture

The graphic below illustrates the internal procedure the MME follows to determine if a default APN should be used.

**Figure 25: Decision Tree for MME Using Default APN**



335945

## Standards Compliance

The Default APN for DNS Failure feature complies with the following standards:

- 3GPP TS 23.060
- 3GPP TS 36.413
- 3GPP TS 24.301
- 3GPP TS 29.274
- 3GPP TS 23.401

## Configuring Default APN for DNS Failure

Enabling Default APN for DNS Failure is configured in the APN Remap Table configuration mode. This mode generates a remap table that is a key component of the Operator Policy feature. The operator policy must be assigned subscribers in the LTE Policy, the LTE policy's subscriber map must be associated with the MME service.

Check the MME's current configuration for names of already created APN remap tables, operator policies, subscriber maps and mme-service instances. If desired, these names can be used to create associations *with pre-configured* tables, policies and services.




---

**Important** We recommend that all table, policy, and service names be unique - not only within a context but across the MME's configuration. Do not use preconfigured names unless the association is desired.

---

This configuration procedure will take you through all of the following:

1. creating an APN remap table and enabling 'require-dns-fail-wildcard',
2. creating an operator policy and associating the remap table with the operator policy,
3. associating the remap table with the operator policy,
4. assigning subscribers to the operator policy in the LTE policy,
5. associating the LTE policy's subscriber map to the MME service configuration.

All commands, keywords, and variables are defined in the *Command Line Interface Reference*.

All components must be completed for the feature to be enabled. Begin this procedure in the Local context in the Exec mode.

## Enabling 'require-dns-fail-wildcard'

The following configuration components deals with creating an APN Remap Table and configuring the special keyword specific to enabling the Default APN for DNS Failure feature.

```
config
  apn-remap-table <table_name> -noconfirm
    apn-selection-default network-identifier net_id
  require-dns-fail-wildcard
end
```

Notes:

- *net\_id* - Specifies the network identifier to be used as the default APN name. Must be a string of 1 to 62 characters, including digits, letters, dots (.) and dashes (-).
- *require-dns-fail-wildcard* - The keyword that enables the use of the default APN when DNS resolution fails. This keyword is currently supported only on MME.
- **no** prefixed to the command will remove the *require-dns-fail-wildcard* configuration from the remap table.

## Associating the APN Remap Table with the Operator Policy

The following configuration components deals with creating an operator policy or accessing the operator policy configuration to associate the APN remap table identified in the configuration procedure above.

```
config
  operator-policy name <policy_name> -noconfirm
    associate apn-remap-table <table_name>
  end
```

## Assigning Subscribers to the Operator Policy

The following configuration components deals with assigning subscribers to the operator policy in the LTE policy.

```
config
  lte-policy
    subscriber-map <map_name> -noconfirm
      precedence precedence match-criteria all operator-policy-name
    <policy_name>
  end
```

## Associating the Subscriber's Map with the MME Service

The following configuration components deals with associating the LTE policy's subscriber map to the MME service configuration

```
config
  context context_name -noconfirm
    mme-service <srvc_name> -noconfirm
      associate subscriber-map <map_name>
    end
```

## Verifying the Feature's Configuration

The **show apn-remap-table full all** command generates a display that indicates the configuration for the APN Remap Table. The Use Default APN when DNS Query fails field indicates if the Default APN for DNS Failure feature has been enabled.

The following is a sample display is only a portion of the output and this sample shows *star.com* configured as the default APN name.

```
show apn-remap-table full all
APN Remap Table Name = test-table
Default APN                : star.com
```

```
Require Subscription APN                : Not Configured
  Use Default APN when no APN is requested : Yes
  Use Default APN when DNS Query fails     : Yes
  Fallback APN to use when Default APN not present
  in subscription                         : Not Configured
  . . . .
```





# CHAPTER 30

## Differential Charging with 5G NSA

- [Feature Summary and Revision History, on page 341](#)
- [Feature Description, on page 342](#)
- [How it Works, on page 342](#)
- [Configuring gNB S1-U IP Addresses , on page 356](#)
- [Associating pra-profile dcnr-5g-radio with mme-service, on page 359](#)
- [Monitoring and Troubleshooting, on page 359](#)

### Feature Summary and Revision History

#### Summary Data

Applicable Product(s) or Functional Area	MME
Applicable Platform(s)	<ul style="list-style-type: none"> <li>• ASR 5500</li> <li>• VPC-DI</li> <li>• VPC-SI</li> </ul>
Feature Default	Disabled - Configuration Required
Related Changes in This Release	Not Applicable
Related Documentation	<i>MME Administration Guide</i>

#### Revision History

Revision Details	Release
Fiist Introduced	21.28.M1

## Feature Description

MME captures prepaid charging for DCNR subscriber differentially under 4G and 5G coverages through:

- Presence Reporting Area (PRA) action provided by the P-GW
- Tracking of S1-U transport layer address in the Initial Context Setup Response message, E-RAB modification indication message, Path switch request message, and handover required message at the time of forming the Modify Bearer Request against the configuration specified in the MME.
- Configuration of S1-U transport layer addresses (IPv4 and IPv6) in the 5G coverage in a separate profile.
- Enabling the feature in the MME service by associating the profile appropriately.
- Parsing the Presence Reporting Area Action IE in Create Session Response message and Modifying a Bearer Response message from S-GW over an S11 interface.

## Standards Compliance

Cisco's implementation of the Differential Charging with 5G NSA makes use of the following standards:

- 3GPP specification 23.401, Section 5.3.3.1
- 3GPP specification 23.401, Section 5.3.3.2
- 3GPP specification 23.401, Section 5.3.4.1
- 3GPP specification 23.401, Section 5.5.1.2.2
- 3GPP specification 23.401, Section 5.3.5
- 3GPP specification 23.401, Section 5.4.7
- 3GPP specification 37.340, Section 10.3.1
- 3GPP specification 37.340, Section 10.4.1
- 3GPP specification 37.340, Section 10.5.1
- 3GPP specification 37.340, Section 10.7.1
- 3GPP specification 37.340, Section 10.8.1
- 3GPP specification 37.340, Section 10.9.1

## How it Works

P-GW requests the tracking of UE's presence in the Presence Reporting Area (PRA) in the Create Session Response through the PRA Action IE.

To enable the feature, perform the following functions:

- Create a PRA profile with S1-U IP addresses or address ranges that match gNodeBs.
- Associate the PRA profile with mme-service.



MME stores the PRA ID and the action in the PDN context.

If P-GW sets the action to Start:

- MME compares the S1-U addresses in the bearers with the S1-U address in the S1AP messages and marks if there's a change in address. Then the new S1-U address is compared against the configured address and a change in PRA is identified, which becomes the **Derived RAT Type**.

S1-U address type is decided based on the Transport Layer address length. With the length as 16 bytes or 20 bytes, it's considered as IPv6 address and with length as 4 bytes, it's considered as IPv4.

- At the time of performing the Modify Bearer Request, if there's a change marked, PRA Information IE is created.

This feature is available only for the DCNR subscribers with the DCNR flag set in UE network capability in the Initial UE message.

This section explains call flows and procedures for the following functionalities:

- Attach procedure.
- GGSN to PGW Handover procedure
- Procedure to add Secondary Node.
- Procedure initiated either by the MN-eNB or by the SN-gNB
- MN Initiated SN release
- Secondary Node Change (MN / SN Initiated)
- Tracking Area Update without S-GW change
- Tracking Area Update with S-GW change
- Service Request
- Inter-Master Node Handover with / without Secondary Node change
- Master Node to eNB / gNB change
- eNB / gNB to Master Node change
- S1 Handover with MME change
- S1 Release

## Initial Attach over S11 Interface

When the Differential Charging with 5G NSA feature is enabled in MME, the following functions occur:

- PRA-based RAT identification and reporting by MME gets triggered when the S-GW sends the PRA ID and the action as **Start** in the Create Session Response message for LTE Initial attach over an S11 interface. This PRA ID is stored in its PDN Context.
- MME receives the S1-U transport layer address from eNB in the Initial Context Setup Response message. By default, the derived RAT type value in a PDN context will be considered as 4G.

While processing the Initial context setup response, the S1 U address will be checked with the configured IP address in the profile and change identified. While framing the Modify Bearer Request, the derived RAT type is found by checking the bearer in that PDN.

### GGSN to P-GW Handover

During this GGSN to P-GW handover procedure:

- Forward Relocation Request sent by SGSN does not have PRA Action IE.




---

**Note** As Forward Relocation request does not have PRA action , which is sent by SGSN, MME does not send any PRA information as part of GGSN-PGW Handover (HO).

---

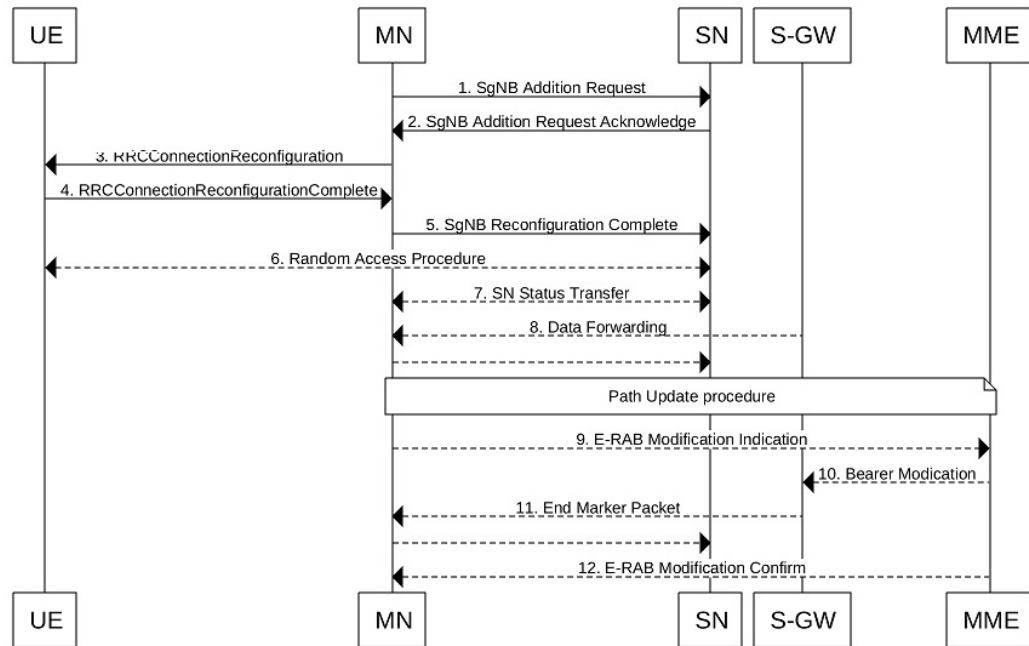
- MME gets PRA Action IE from the Create Session Response message.
- MME sends Create session request to S-GW with DCNR bit set in UP Function Selection Indication Flags, if:
  - The UE is DCNR capable with Dual connectivity of E-UTRA with New Radio (NR) capability bit set in the MS network in MM Context.
  - The NR as Secondary RAT Not Allowed (NRSRNA) is not set in Extended Access Restriction Data in the MM Context of Forward Relocation Request from SGSN.

## Adding a Secondary Node

The Secondary Node (SN) addition procedure follows the procedure defined in 3GPP specification 37.340, Section 10.2.1.

The following call flow shows the secondary node additon.

Figure 26: Call Flow



470976

The secondary node addition procedure captures the LTE attach followed by E-RAB Modification Indication scenario.

When the data bearers move from MN-eNB to SN-gNB, MN-eNB sends E-RAB Modification Indication with bearers to be modified list with the new S1-U transport layer address.

While processing the ERMI message, change in the new S1-U address with the already existing S1-U address in the modified bearer list is marked; it is then compared with the IP address configured in the **pra-profile** for 5G PRA.

While forming the Modify Bearer Request, with the marked changes, if there is a match, the flag IPRA is set to 1 and PRA ID is sent in PRA Information IE in the Modify Bearer Request message over S11.

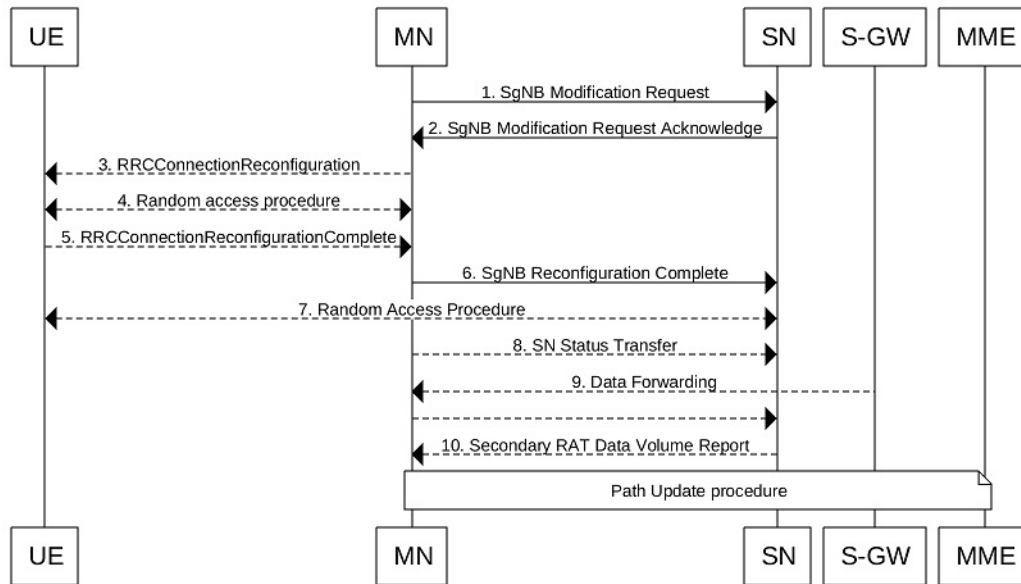
If there is no match, the flag OPRA is set to 1 and PRA ID is sent in PRA Information IE in the Modify Bearer Request message over S11. PRA Information IE will be sent only if there is any change in the previously sent PRA Information IE for that PDN to that S-GW and the derived RAT type is updated with the current data.

## Modifying a Secondary Node

Secondary Node (SN) modification procedure follows the procedure defined in 3GPP specification 37.340, Section 10.3.1.

The following call flow shows the secondary node modification.

Figure 27: Call Flow



470974

This procedure is initiated either by the MN-eNB or by the SN-gNB and used to:

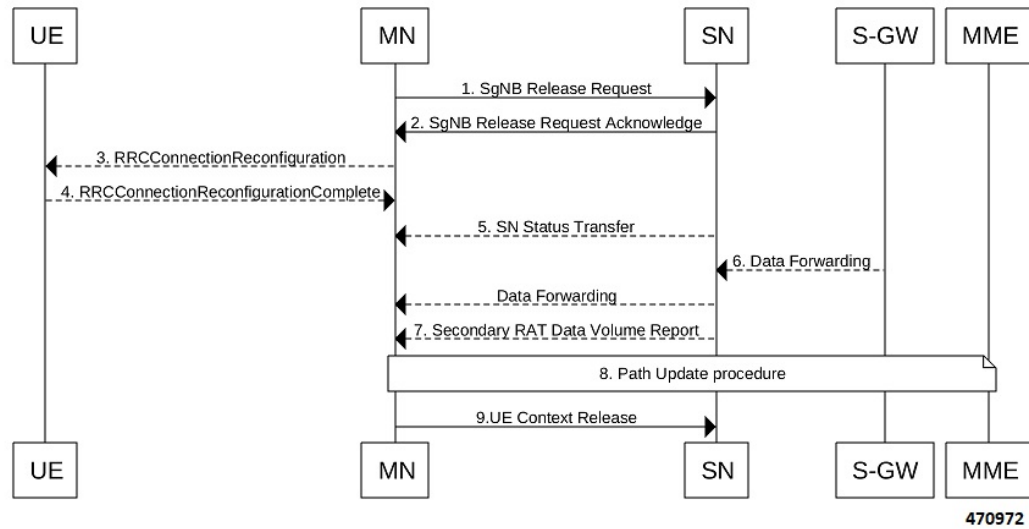
- Modify, establish, or release bearer contexts.
- Transfer bearer contexts to and from the SN-gNB
- Modify other properties of the UE context within the same SN-gNB. This includes the Path Update procedure as explained in the *Adding a Secondary Node* section.

## Secondary Node Release Procedure

The Secondary Node release procedure follows the procedure defined in 3GPP specification 37.340, Section 10.4.1.

The following call flow shows the Secondary Node release procedure.

Figure 28: Call Flow



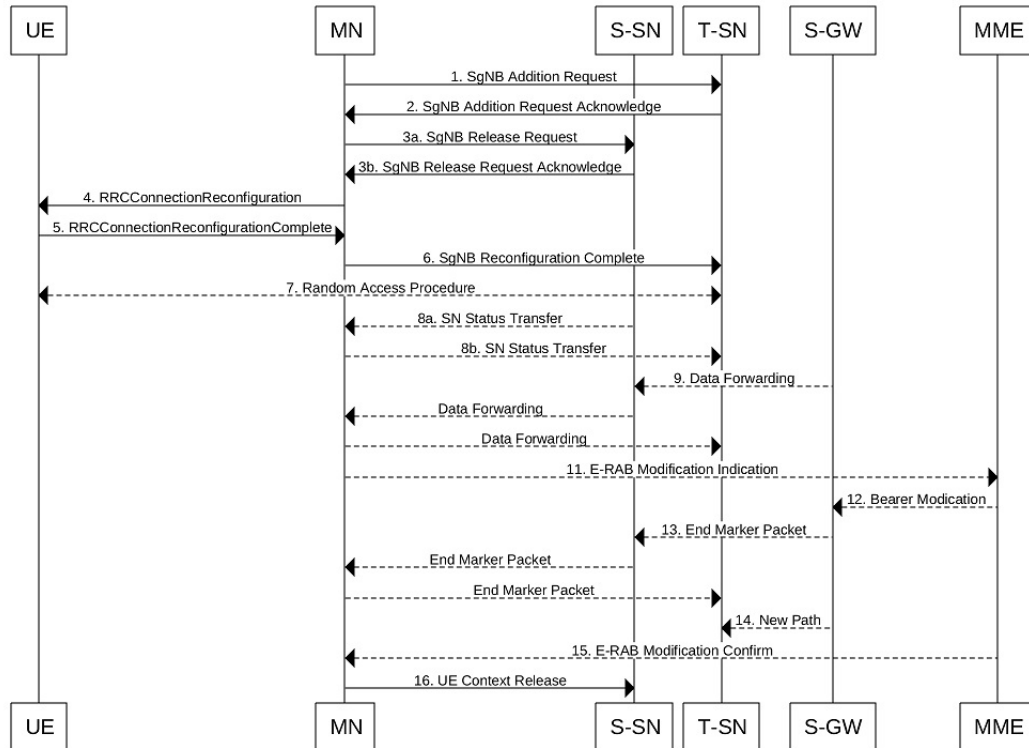
The Secondary Node Release procedure is initiated either by the MN or by the SN and is used to initiate the release of the UE context at the SN. The recipient node of this request can reject the release. For example, if a SN change procedure is triggered by the SN. This includes the Path Update procedure as explained in the section, *Adding a Secondary Node*.

## Secondary Node Change

The Secondary Node (SN) change procedure follows the procedure defined in 3GPP specification 37.340, Section 10.5.1. The SN change procedure is initiated either by MN or SN and used to transfer a UE context from a source SN to a target SN, and to change the SCG configuration in an UE from one SN to another. This includes the E-RAB Modification Indication procedure as explained in the section *Adding a Secondary Node*.

The following call flow shows the master node initiated change procedure.

Figure 29: Call Flow



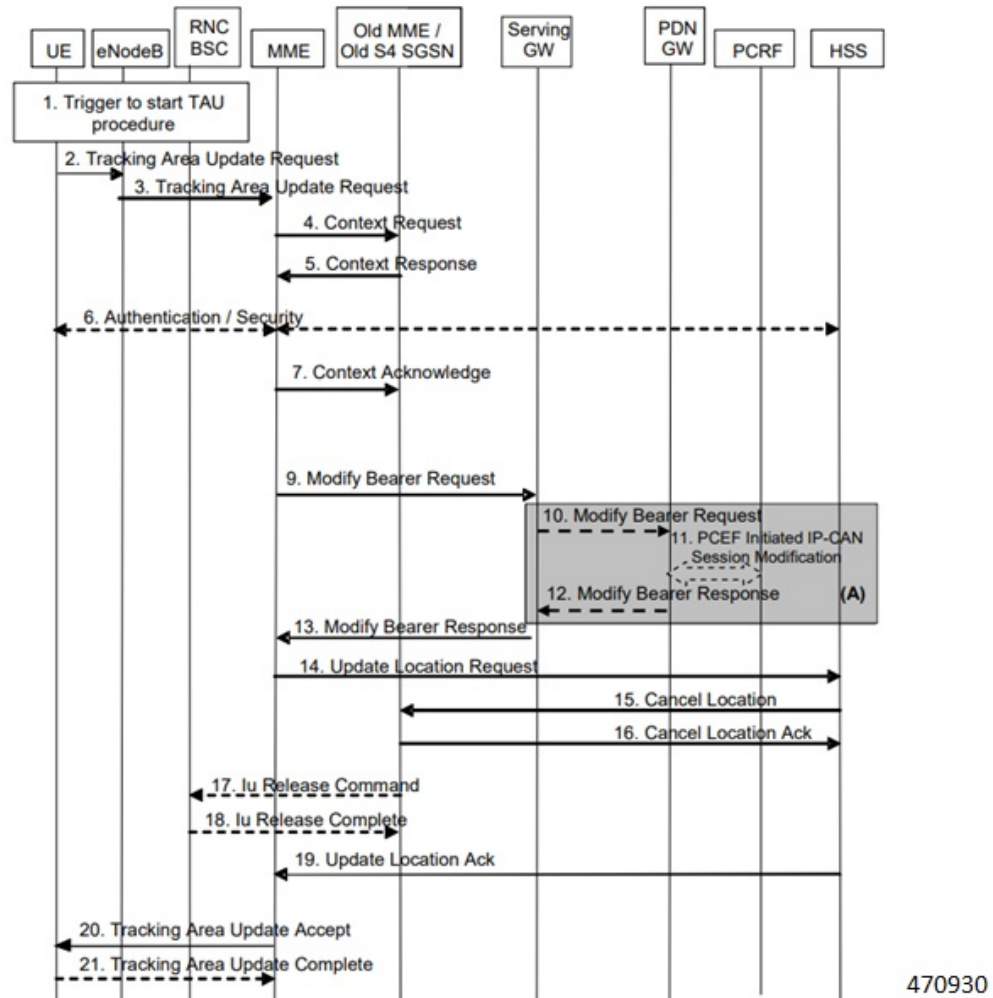
470970

## Tracking Area Update without SGW change

Tracking Area Update procedure follows the procedure defined in 3GPP specification 23.401, Section 5.3.3.2.

The following call flow shows the Tracking Area Update without SGW change.

Figure 30: Call Flow

**Procedure:**

- After enabling the Differential Charging with 5G NSA feature in New MME, Presence Reporting Area (PRA) based Radio Access Technology (RAT) identification and reporting by New MME gets triggered when the Old MME sends the PRA ID and the action as **Start** in Context Response message as part of Tracking Area Update procedure over S10 interface.
- As part of Inter MME TAU procedure, if the new MME has established the bearers, it indicates the PRA information in the Modify Bearer request as below whenever MME knows about the s1u IP address:
  - IPRA provided s1u IP address matches with the PRA pool configuration.
  - MME sends OPRA if the previous session was in IPRA with old MME or S-GW. If s1u address is not matched with **pra-profile** there will be no PRA information.

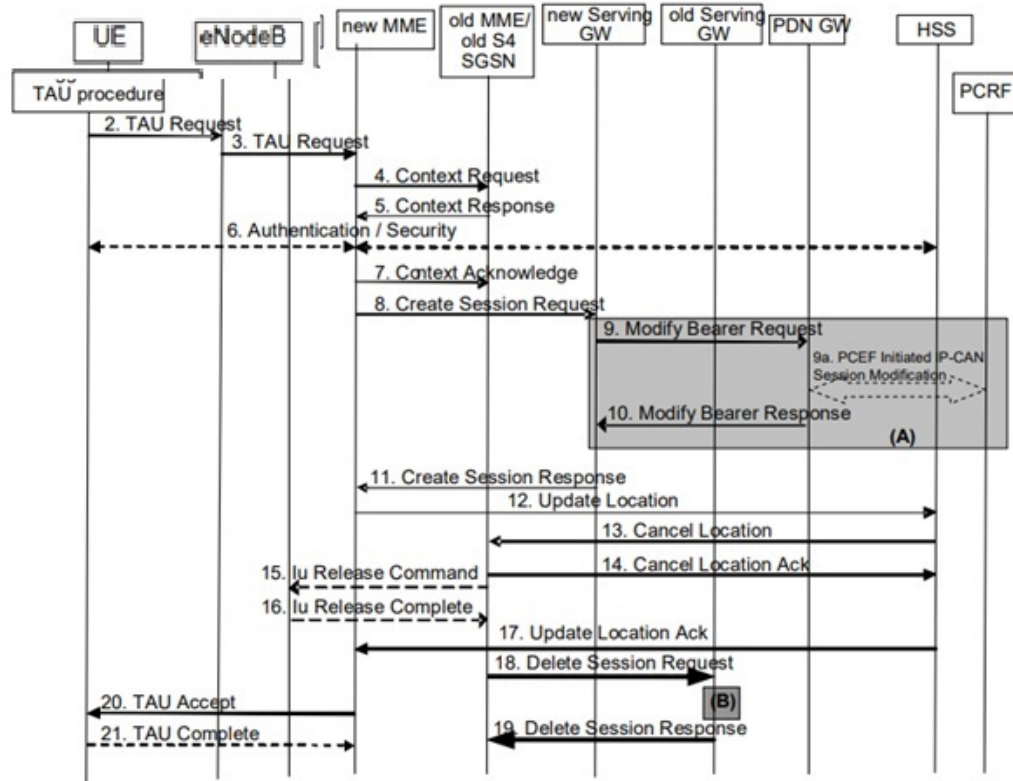
If any changes are identified in s1u address in the subsequent procedure, IPRA or OPRA is calculated accordingly.

## Tracking Area Update with SGW Change

Tracking Area Update procedure follows the procedure defined in 3GPP specification 23.401, Section 5.3.3.1.

The following call flow shows the Tracking Area Update with SGW change.

Figure 31: Call Flow



470942

### Procedure:

- After enabling the differential charging with 5G NSA feature in New MME, PRA based RAT identification and reporting by New MME gets triggered when the Old MME sends the PRA ID and the Action as 'Start' in Context Response message as part of Tracking Area Update procedure over S10 interface.
- As part of Inter MME TAU procedure, if the new MME has established the bearers, it indicates the PRA information in any Modify Bearer Request followed by the Create Session Request as below whenever MME knows about the S1 U IP address:
  - IPRA provided that the S1 U IP address matches with the PRA pool configuration.
  - MME sends OPRA if the previous session was in IPRA with old MME or S-GW. If s1u address is not matched with **pra-profile** there will be no PRA information.

If any changes are identified in S1 U address in the subsequent procedure, IPRA or OPRA is calculated accordingly.

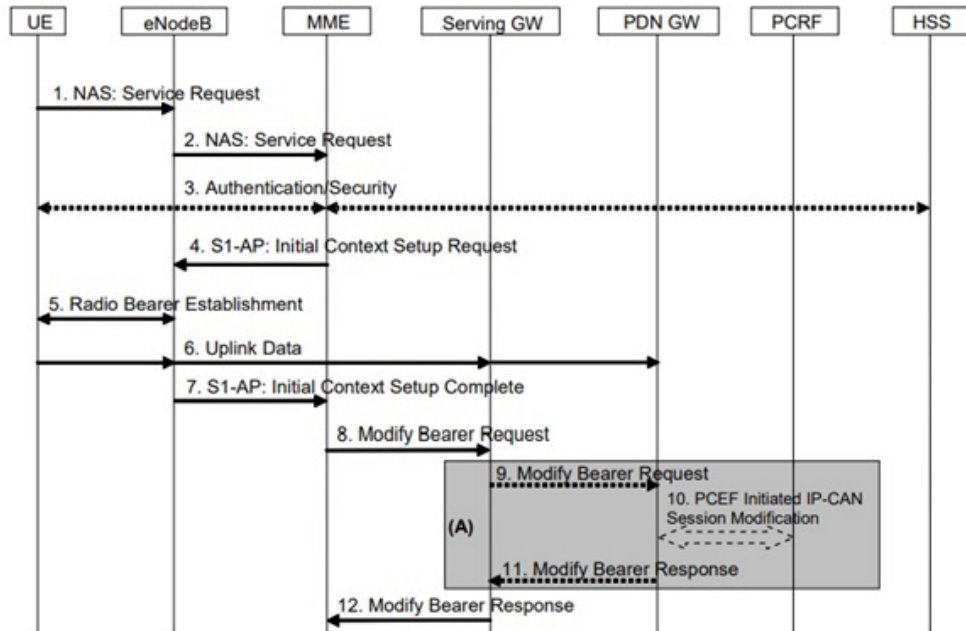


## Service Request

Service Request procedure follows the procedure defined in 3GPP specification 23.401, Section 5.3.4.1.

The following call flow shows the Service Request procedure.

Figure 32: Call Flow



470943

Following are few deviations from the defined procedure:

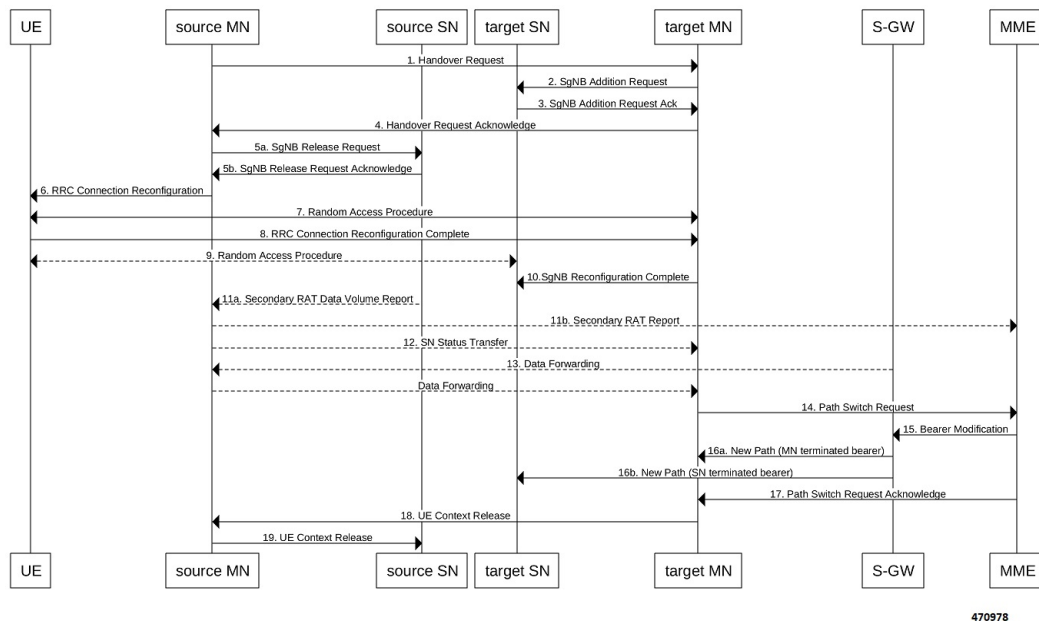
- MME receives the S1-U address in an Initial Context setup Response message.
- S1-U address is first matched with the IP address in the respective bearer context and change is marked.
  - If there is a change identified, it is then compared with the IP address configured in the PRA profile for 5G PRA.
  - If there is a match, the flag IPRA is set to 1, and PRA ID is sent in PRA Information IE in the Modify Bearer Request message over S11.
  - If there is no match, the flag OPRA is set to 1 and PRA ID is sent in PRA Information IE in the Modify Bearer Request message over S11.
  - PRA Information IE is sent only if there is any change in the previously sent PRA Information IE for that PDN to that S-GW and the derived RAT type is updated with the current data.

## Inter-Master Node Handover with or without Secondary Node Change

Inter-Master Node handover procedure follows the procedure defined in 3GPP specification 37.340, Section 10.7.1.

The following call flow shows the processing of Path Switch Request.

**Figure 33: Call Flow**



The new S1-U transport layer address in the E-RABs Switched in Downlink Item IEs in Path Switch Request message is first matched with the IP address in the already existing respective bearer context and change is identified.

While forming the Modify Bearer Request:

- If there is a change identified, it is compared with the IP address configured in the PRA profile for 5G PRA.
- If there is a match, the flag IPRA is set to 1 and PRA ID is sent in PRA Information IE in the Modify Bearer Request message over S11.
- If there is no match, the flag OPRA is set to 1 and PRA ID is sent in PRA Information IE in the Modify Bearer Request message over S11.

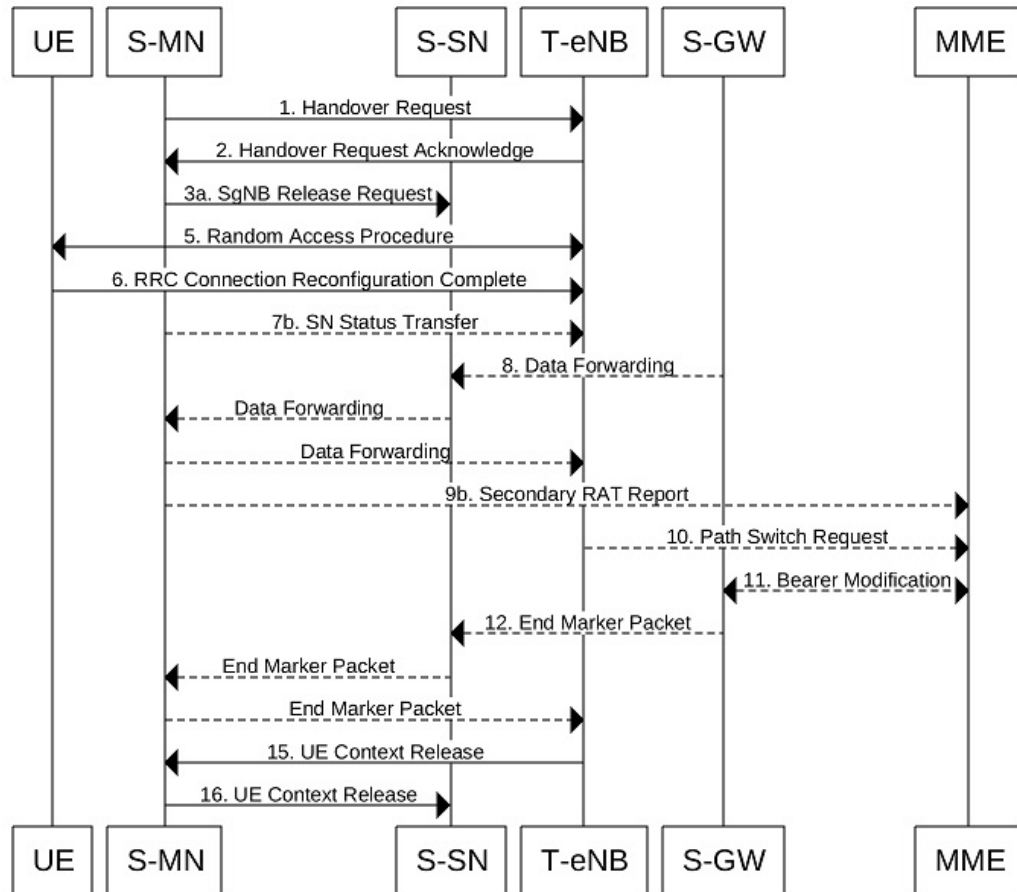
PRA Information IE is only sent if there is any change in the previously sent PRA Information IE for that PDN to that S-GW and the derived RAT type is updated with the current data.

## Master Node to eNB / gNB Change

Master Node (MN) to eNB or gNB change procedure follows the procedure defined in 3GPP specification 37.340, Section 10.8.1. Processing of Path Switch Request is same as explained in the section *Inter-Master Node Handover with or without Secondary Node Change*.

The following call flow shows the master node to eNB /gNB change procedure.

Figure 34: Call Flow



470944

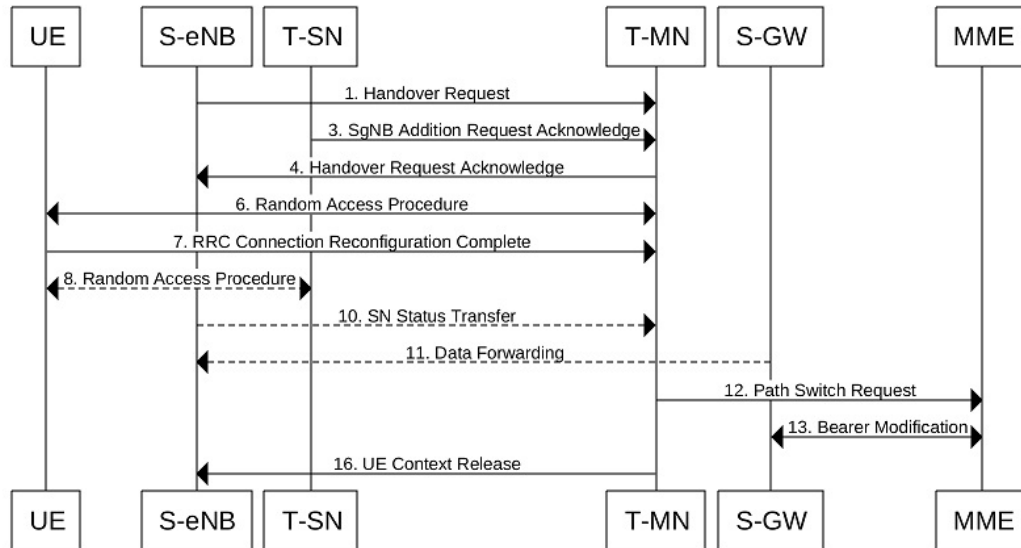
## eNB or gNB to Master Node Change

The eNB or gNB to master node change procedure follows the procedure defined in 3GPP specification 37.340, Section 10.9.1. Processing of Path Switch Request is same as explained in the section *Master Node to eNB / gNB Change*.

The eNB or gNB to Master Node Change procedure transfers context data from a source eNB to a target Master Node (MN) that adds an Secondary Node (SN) during the handover.

The following call flow shows the eNB or gNB to master node change procedure.

Figure 35: Call Flow



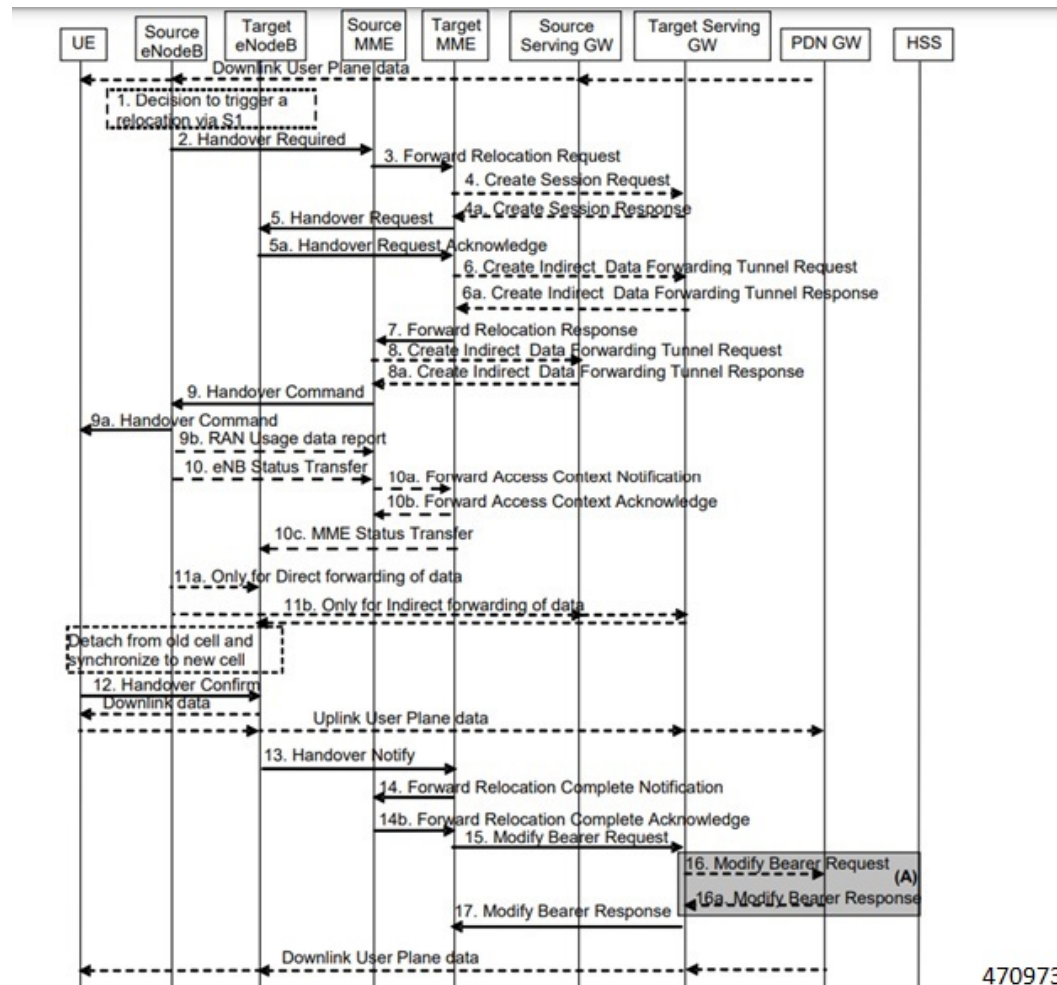
470946

## S1 Handover with MME Change

Service Request procedure follows the procedure defined in 3GPP specification 23.401, Section 5.5.1.2.2.

The following call flow shows the S1 handover with MME change procedure.

Figure 36: Call Flow

**Procedure:**

- With feature enabled in Target MME, PRA-based RAT identification and reporting by Target MME gets triggered, when the Source MME sends the PRA ID, and the action as **Start** in Forward Relocation Request message as part of an S1-based handover relocation procedure over S10 interface.
- As part of Inter MME TAU, if the target MME has established the bearers, it indicates the PRA information in the Modify Bearer Request followed by a Create Session Request whenever MME knows about the S1-U IP address:
  - IPRA provided S1-U IP address matches with the PRA pool configuration.
  - MME sends OPRA if the previous session was in IPRA with old MME or S-GW. If s1u address is not matched with **pra-profile** there will be no PRA information.

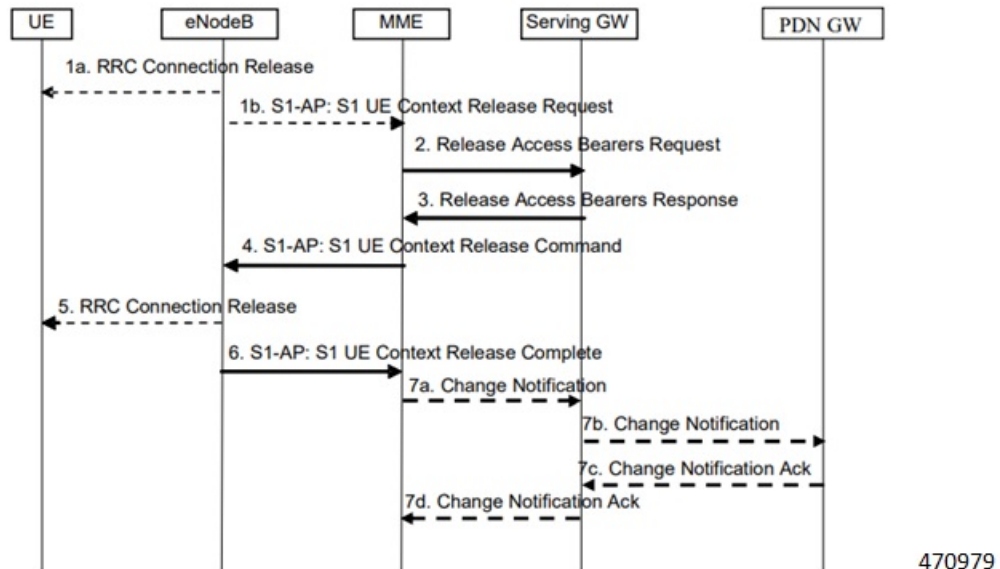
If any changes are identified in S1 U address in the subsequent procedure, IPRA or OPRA is calculated accordingly.

## S1 Release

S1 Release procedure follows the procedure defined in 3GPP specification 23.401, Section 5.3.5.

The following call flow shows the S1 release procedure.

Figure 37: Call Flow



PRA based RAT identification and reporting by the MME is stopped as part of this procedure until the connection is resumed. PRA is not supported in the Change Notification.

## Configuring gNB S1-U IP Addresses

Use the following commands to configure the gNB S1-U IP addresses in ranges. By default, an gNB S1-U IP address is not configured.

For IPv4 addresses or IPv6 addresses, a maximum of 50 entries can be given in a PRA profile. Altogether, a maximum of 100 entries can be given in a PRA profile and only one PRA profile is supported.

### configure

```

context context_name
  lte-policy
    [ no ] pra-profile dcnr-5g-radio profilename1
      [ no ] gnb-slu ipv4-network <address>/[ mask ]
      [ no ] gnb-slu ipv4-range from <start-ip/mask> to <end-ip/mask>
      [ no ] gnb-slu ipv6-prefix <address>/[mask]
      [ no ] gnb-slu ipv6-prefix-range from <start-ip/mask> to
<end-ip/mask>
      [ no ] gnb-slu ipv6-prefix-pattern <address/mask> start-bit <bit
position>
        end-bit <bit position> pattern <pattern in hex value>
  
```

**NOTES:**

- **pra-profile**: Configures PRA Profile.
- **dcnr-5g-radio**: Configures PRA Profile to identify DCNR subscriber in 5G coverage.  
*profile\_name*: Specifies the PRA profile name with a string of size 1–63..
  - **do**: Spawns an exec mode command which displays information to the administrator.
  - **end**: Exits configuration mode and returns to the Exec Mode
  - **exit**: Exits current configuration mode, returning to previous mode
  - **gnb-s1u**: Configures gNB S1-U Addresses for 5G radio connectivity
  - **no**: Disables options.
- **gnb-s1u**
  - **ipv4-network** : Configures gNB S1-U IPv4 network for 5G radio connectivity.
  - **ipv4-range**: Configures gNB S1-U IPv4 address range for 5G radio connectivity.
  - **ipv6-prefix**: Configures gNB S1-U IPv6 network for 5G radio connectivity.
  - **ipv6-prefix-pattern**: Configures gNB S1-U IPv6 prefix range with hex-pattern for 5G radio connectivity.
  - **ipv6-prefix-range**: Configures gNB S1-U IPv6 prefix range for 5G radio connectivity
- **gnb-s1u ipv4-network address/mask**: Configures block of addresses. If the mask is not specified, a default mask of 32 bits for the IPv4 address is considered.  
 When **gnb-s1u ipv4-network 0.0.0.0** is configured, it indicates that any IPv4 address will be considered as gnb-s1u address, and no lookup is done with the already configured IPv4 addresses in the profile. In this input, default mask is taken irrespective of any configured mask.
- **gnb-s1u ipv4-range from <start-ip/mask> to <end-ip/mask>**: Specifies a range of IP addresses for a given mask. The mask value should be the same in the *start-ip* and in *end-ip*. Following are few conditions:
  - In the range, if Network ID is specified, then starting address and ending address is calculated according to the mask.
  - In the range, if host address is specified then it will be taken.
  - You can specify either Network ID for both the starting address and ending address or Host ID for both the starting address and ending address.
  - In the range, if mask is not specified, a default mask of 32 bits is considered for IPv4 and the specified address is considered as host address.
- **gnb-s1u ipv4-range**
  - **from**: Enter the first gNB S1-U IPv4 address in the range.
  - **to**: Enter the last gNB S1-U IPv4 address in the range.

- **gnb-s1u ipv6-prefix** *address/mask*: Configures block of addresses. If the mask is not specified, default mask of 128 bits for an IPv6 address is considered. For example, if an ipv6 range is specified from 2001:4900:0050:2001::0/64, then all addresses with the network id 2001:4900:0050:2001 is considered.



**Note** When **gnb-s1u ipv6-prefix :: is** configured, it indicates that any IPv6 address is considered as gNB S1 U address, and there is no lookup with the already configured IPv6 addresses in the profile. In this input, a default mask is taken irrespective of any configured mask.

- **ipv6-prefix** : Configures S1-U IPv6 addresses.
- **gnb-s1u ipv6-prefix-range from <start-ip/mask> to <end-ip/mask>** : Specifies a range of IP addresses for a given mask. Ensure to enter the same mask value in the *start-ip* and in the *end-ip*.
  - **from**: Enter the first gNB S1-U IPv6 address in the range.
  - **to**: Enter the last gNB S1-U IPv6 address in the range.

For example, If you specify ipv6 range from 2001:4900:0050:2001::0/64 to 2001:4900:0050:20aa::0/64”, then all addresses with the network id “2001:4900:0050:2001” to “2001:4900:0050:20aa” is considered.

In the range if:

- Network ID is specified, then starting address and ending address is calculated according to the mask.
- Host address is specified then, it will be taken.
- You can specify either Network ID for both the starting address and ending address or Host ID for both the starting address and ending address.
- Mask is not specified, default mask of 128 bits is considered for IPv6 and the specified address is considered as the host address.
- **gnb-s1u ipv6-prefix-pattern <address/mask> start-bit *bit position* end-bit *bit position* pattern *pattern in hex value***
  - **start-bit *bit position*** : Starting bit position of the pattern. It should be outside the mask bits
  - **end-bit *bit position*** : Ending bit position of the pattern. It should be outside the mask bits.
  - **pattern *pattern in hex value***: Enter the pattern in hexadecimal. A maximum of 64 bit pattern is supported.



**Note** The start-bit and end-bit position should not be within the mask bits. For example, if you specify gnb-s1u ipv6-prefix-pattern 2001:4900:0050:2000::0/16 start-bit 61 end-bit 64 pattern 0x3”, then all addresses with the network id “2001:4900” and with bits 61–64 matching to 0x3 are considered. A maximum of 64-bit pattern is supported for an IPv6 address.



**Limitations:** Following are the limitations:

- It is recommended to provide non duplicate, or non overlapping IP addresses, or non conflicting inputs across the CLIs.
- It is recommended not to configure multicast or broadcast IP addresses.

## Associating pra-profile dcnr-5g-radio with mme-service

You can associate the pra-profile dcnr-5g-radio with the mme-service using the following CLI commands.

```
configure
context context_name
  mme-service mme service name
    [ no ] associate pra-profile dcnr-5g-radio profilename1
```

**NOTES:**

- **associate pra-profile:** Associates a PRA profile to the MME service
- **associate pra-profile dcnr-5g-radio:** Associates PRA Profile for 5G-RADIO access to enable differential charging in 5G NSA to the MME service.
- *filename:* Enter the profile name with a string of size 1–63.

## Monitoring and Troubleshooting

This section provides information regarding show commands and outputs available to monitor and troubleshoot the Differential Charging with 5GNSA feature.

### Show Commands and Outputs

This section provides information regarding show commands and/or their outputs in support of the PRA based RAT identification and reporting feature.

#### show lte-policy pra-profile dcnr-5g-radio full all

The **show lte-policy pra-profile dcnr-5g-radio full all** command displays PRA profile of DCNR subscribers in 5G coverage. The output of this command includes the following fields.

Field	Description
PRA Profile to identify DCNR subscriber in 5G coverage	Displays the configured profile name.

Field	Description
S1 U IPv4 address	Displays the configured IPv4 range of addresses.  Example: <pre>&lt;starting IP address&gt; to &lt;ending IP address&gt; ... &lt;IP address&gt; / &lt;mask&gt; ...</pre>
S1 U IPv6 address	Displays the configured IPv6 range of addresses.  Example: <pre>&lt;starting IP address&gt; to &lt;ending IP address&gt; ... &lt;IP address&gt; / &lt;mask&gt; ... &lt;IP address&gt; / &lt;mask&gt; Pattern - &lt;pattern&gt; from bit &lt;starting bit#&gt; to bit &lt;ending bit#&gt; ...</pre>

## show mme-service all

The output of this command includes the following information:

```
When PRA profile is associated with mme-service:
PRA Profile to identify
DCNR subscriber in 5G coverage : Enabled
PRA Profile Name           : <profile name>
```

```
When PRA profile is not associated with mme-service:
PRA Profile to identify
DCNR subscriber in 5G coverage : Disabled
```

## show mme-service session full

The **show mme-service session full** command shows the last reported PRA information per PDN.

```
...
PDN Information:
...
PDN PRA Info:
PRA ID : <PRA id>
PRA Action: <0 - Action is not set yet, 1 - Start, 2 - Stop >>
PRA Status: <1 - IPRA, 0 - OPRA >
```

## show mme-service statistics verbose

The **show mme-service statistics [verbose]** displays procedure -wise statistics for IN PRA and OUT PRA along with the Overall Total counts.

You can view similar statistics information using the **show mme-service statistics esm-only [verbose]** command.

Field	Description
<b>DCNR NSA PRA Statistics:</b>	
Total IPRA	Shows the total number of IPRA count.

Field	Description
Total OPRA	Shows the total number of OPRA count.
<b>IPRA:</b>	
S1-Handoff	Shows the S1 handoff procedure-wise statistics count for IPRA.
Intra-MME-S1-Handoff-SGW-Change	Shows the Intra MME S1 handoff S-GW change procedure-wise statistics count for IPRA.
TAU	Shows the Tracking Area Update (TAU) procedure-wise statistics count for IPRA.
Intra-MME-TAU-SGW-Change	Shows the Intra MME Tracking Area Update (TAU) S-GW change procedure-wise statistics count for IPRA.
X2HO	Shows the X2HO procedure-wise statistics count for IPRA.
X2HO-SGW-Change	Shows the X2HO S-GW change procedure-wise statistics count for IPRA.
Service Request	Shows the service request procedure-wise statistics count for IPRA.
S10-Handoff	Shows the S10 handoff procedure-wise statistics count for IPRA.
ERAB-Modify	Shows the ERAB modification procedure-wise statistics count for IPRA.
<b>OPRA:</b>	
S1-Handoff	Shows the S1 handoff procedure-wise statistics count for OPRA.
Intra-MME-S1-Handoff-SGW-Change	Shows the Intra MME S1 handoff S-GW change procedure-wise statistics count for OPRA.
TAU	Shows the Tracking Area Update (TAU) procedure-wise statistics count for OPRA.
Intra-MME-TAU-SGW-Change	Shows the Intra MME Tracking Area Update (TAU) S-GW change procedure-wise statistics count for OPRA.
X2HO	Shows the X2HO procedure-wise statistics count for OPRA.
X2HO-SGW-Change	Shows the X2HO S-GW change procedure-wise statistics count for OPRA.
Service Request	Shows the service request procedure-wise statistics count for OPRA.
S10-Handoff	Shows the S10 handoff procedure-wise statistics count for OPRA.
ERAB-Modify	Shows the ERAB modification procedure-wise statistics count for OPRA.

## Bulk Statistics

### show mme-service statistics

The following two Bulk statistics are added in the MME schema to show the total IN PRA and OUT PRA count:

- dcnr-nsa-ipra-count: Shows the total number of IPRA count.
- dcnr-nsa-opra-count: Shows the total number of OPRA count.



# CHAPTER 31

## Dynamic TAI List

- [Feature Summary and Revision History](#), on page 363
- [Feature Description](#), on page 364
- [Configuring dynamic-tal in mme-service and call-control-profile](#), on page 365
- [show call-control-profile all](#), on page 365
- [Monitoring and Troubleshooting](#), on page 366

## Feature Summary and Revision History

### Summary Data

Applicable Product(s) or Functional Area	MME
Applicable Platform(s)	<ul style="list-style-type: none"> <li>• ASR 5500</li> <li>• VPC-DI</li> <li>• VPC-SI</li> </ul>
Feature Default	Disabled - Configuration Required
Related Changes in This Release	Not applicable
Related Documentation	<ul style="list-style-type: none"> <li>• <i>Command Line Interface Reference</i></li> <li>• <i>MME Administration Guide</i></li> </ul>

### Revision History

Revision Details	Release
This release supports Dynamic TAI lists as enhancement to Tracking Area list management.	21.20

## Feature Description

To reduce the signaling message during the location update procedure and to manage the border areas more efficiently, MME maintains the historic TAI list for each UE. If the Dynamic Tracking Area List (DTAL) feature is enabled:

- When UE sends for the first time the Attach/TAU request message, MME saves this TAI in Historic TAI list and sends the TAL with configured values of TAI-mgmt-objs.
- Whenever MME detects TAI change, MME updates the historic list with new TAI details.
- When MME sends the Attach/TAU Accept, the new Dynamic TAL gets filled. This new DTAL will be a combination of Configured TAI-mgmt-objs and historic TAI list. MME saves the TAI to a maximum number of 16. MME uses the same TAL list as sent in ATTACH/TAU Accept message for paging.




---

**Important** MME uses the same DTAL as part of paging. Based on the DTAL depth configuration, the number of TAI in the historic list will be more and TAL list will have more TAC, resulting in more than normal level of paging. Based on paging load there will be impact in CPU usage.

---

### How it works:

- When MME builds the DTAL, TAI entries from the tai-mgmt-obj takes precedence. If the tai-mgmt-obj already has 16 entries, the Dynamic TAL gets filled with those entries and the TAI entries from historic list is not considered.
- If the number of TAI in tai-mgmt-obj is less than 16, the remaining entries are filled from historic TAI list based on the depth configuration or the remaining empty entries in the TAL List, whichever is the least.
- Historic TAI list contains list of the TAI visited by UE. The entries are sorted by time. When the list reaches the maximum number of entries, the oldest TAI gets removed.
- Each User Equipment (UE) in the same tracking area can have its TAL list because of the difference in dynamic TAI.




---

**Note** The Historic TAI List is not recovered as part of Session manager recovery. After the Session manager recovery, MME will build the Historic TAI List for UE from beginning.

---

## Limitation

As UE does not perform TAU procedure when moving to dynamically learnt TAL, S-GW will not be reassigned/reallocated as per TAI-mgmt-obj configuration.

# Configuring dynamic-tal in mme-service and call-control-profile

Use the following CLIs to enable or disable and to configure depth of the TAL maintained for each UE.

## Configuring CLI dynamic-tal in mme-service

```
configure
  context context_name
    mme-service service_name
      dynamic-tal depth depth-value
      [ no ] dynamic-tal
    end
```

### NOTES:

- **mme-service** *service\_name*: Specifies the name of the MME service and must be a string of 1-63 characters.
- **dynamic-tal** *depth-value*: Configures the dynamic-tal for MME service users. MME maintains historic TAI list per UE up to the configured depth value.
- **depth** *depth-value*: Number of unique historic entries in TAL up to a maximum of 16.
- **no**: Removes the depth value in an MME Service.

## Configuring CLI dynamic-tal in call-control-profile

```
configure
  context context_name
    call-control-profile profile_name
      dynamic-tal depth depth-value
      [ no ] dynamic-tal
    end
```

### NOTES:

- **call-control-profile** *profile\_name*: Creates an instance of a call control profile.  
*profile\_name* specifies the name of the call control profile and must be a string of 1-64 characters.
- **dynamic-tal** : Configures the dynamic-tal. MME maintains historic TAI list for each UE up to the configured depth value.
- **depth** *depth-value*: Number of unique historic entries in TAL up to a maximum of 16.
- **no** : Removes the depth value.

## show call-control-profile all

The output of the above command is modified to display the Dynamic TAL List for each UE. Last Dynamic TAI History displays up to a maximum of 16 reported TAIs and is not controlled based on the configured depth value in mme-service.

```

UE Tracking Information: Last Dynamic TAI History
|                               Last Reported TAI |                               Last Update
-----|-----|-----
(1) (123,456)                               0x1a7c                               Fri Jun 12 09:09:11 2020
(2) (123,456)                               0x92e                                Fri Jun 12 09:09:11 2020
(3) (123,456)                               0x22c4                               Fri Jun 12 09:09:10 2020

```

## Monitoring and Troubleshooting

### Show Commands and Output

#### show mme-service all

The output of the above command is modified to display the configured dynamic-tal depth value and not configured dynamic-tal depth value in mme-service and call-control-profiles.

For example, when dynamic-tal depth value is configured the following output is displayed:

```

Service name           : mme1
  Context              : ingress
  Status               : STARTED
  Bind                 : Done
..
  Dynamic TAL Depth    : 5

```

When dynamic-tal depth value is not configured the following output is displayed.

```

Service name           : mme1
  Context              : ingress
  Status               : STARTED
  Bind                 : Done
..
  Dynamic TAL Depth    : Not defined

```

#### show mme-service statistics tai

The output of this command includes the following Intra MME TAU Requests:

- Dynamic TAI List Periodic TAU—Displays the number of attempts, successes, and failures of Dynamic TAI list periodic tracking area update (TAU).
- Dynamic TAI List TA Updating—Displays the number of Dynamic TAI List TA updates, attempts, successes, or failures associated with all MME services.

#### show mme-service statistics

When the dynamic TAL list feature is enabled, new TAL statistics and existing TAU statics gets updated for MME service level EMM and TAI Statistics. The output of this command includes the following TAU sub-group:

Field	Description
Dynamic TAI List Periodic TAU	Displays the number of attempts, successes, and failures of Dynamic TAI list periodic tracking area update (TAU).



Field	Description
Dynamic TAI List Normal TAU without SGW Relocation	Displays the number of Dynamic TAI List Normal TAU, without S-GW relocation, attempts, successes, or failures associated with all MME services.
Dynamic TAI List TAU with Bearer Activation	Displays the number of Dynamic TAI list TAU, with bearer activation, attempts, successes, or failures associated with all MME services.
Dynamic TAI List TAU with SGW Relocation	Displays the number of Dynamic TAI List TAU, with S-GW relocation, attempts, successes, or failures associated with all MME services.

## Bulk Statistics

This section provides information on the bulk statistics for the Dynamic TAI List feature.

### MME-Schema

The following existing TAU bulk statistics are included in the MME Schema.

Counters	Description
dtal-tau-periodic-attempted	The total number of Dynamic TAI List Periodic TAU requests attempted.
dtal-tau-periodic-success	The total number of Dynamic TAI List Periodic TAU requests succeeded.
dtal-tau-periodic-failures	The total number of Dynamic TAI List Periodic TAU requests failed.
dtal-tau-normal-attempted	The total number of EMM Dynamic TAI List TAU request attempts where the EPS update type is set to TA updating (without S-GW relocation).
dtal-tau-normal-success	The total number of EMM Dynamic TAI List TAU request succeeded.
dtal-tau-normal-failures	The total number of EMM Dynamic TAI List TAU request failed.
dtal-tau-active-attempted	The total number of EMM Dynamic TAI List TAU with bearer activation attempts.
dtal-tau-active-success	The total number of EMM Dynamic TAI List TAU with successful bearer activation.
dtal-tau-active-failures	The total number of EMM Dynamic TAI List TAU with failed bearer activation.
dtal-tau-sgw-change-attempted	The total number of EMM Dynamic TAI List TAU with S-GW relocation attempts.
dtal-tau-sgw-change-success	The total number of EMM Dynamic TAI List TAU with S-GW relocation success.

Counters	Description
dtal-tau-sgw-change-failures	The total number of EMM Dynamic TAI List TAU with S-GW relocation failures.

## TAI Schema

The following existing TAI bulk statistics are included in the MME Schema.

Counters	Description
tai-dtal-intra-tau-attempted	The total number of Dynamic TAI List Intra-MME normal TAU attempted with or without S-GW change.
tai-dtal-intra-tau-success	The total number of Dynamic TAI List Intra-MME normal TAU succeeded with or without S-GW change.
tai-dtal-intra-tau-failures	The total number of Dynamic TAI List Intra-MME normal TAU failed with or without S-GW change.
tai-dtal-tau-periodic-attempted	The total number of Intra-MME Dynamic TAI List Periodic TAU attempted.
tai-dtal-tau-periodic-success	The total number of Intra-MME Dynamic TAI List Periodic TAU succeeded.
tai-dtal-tau-periodic-failures	The total number of Intra-MME Dynamic TAI List Periodic TAU failed.



## CHAPTER 32

# eDRX Support on the MME

This feature describes the Extended Discontinuous Reception (eDRX) support on the MME in the following sections:

- [Feature Summary and Revision History, on page 369](#)
- [Feature Description, on page 370](#)
- [How eDRX Works, on page 371](#)
- [Configuring eDRX on the MME, on page 374](#)
- [Configuring NB-IoT in UE Context, on page 380](#)
- [Monitoring and Troubleshooting eDRX, on page 380](#)

## Feature Summary and Revision History

### Summary Data

Applicable Products or Functional Area	<ul style="list-style-type: none"><li>• C-SGN</li><li>• MME</li></ul>
Applicable Platforms	<ul style="list-style-type: none"><li>• ASR 5500</li><li>• UGP</li><li>• VPC-DI</li><li>• VPC-SI</li></ul>
Feature Default	Disabled - Configuration Required Enabled - Configuration Required (eDRX GPS time support in 21.4)
Related Changes in This Release	Not applicable

Related Documentation	<ul style="list-style-type: none"> <li>• <i>Command Line Interface Reference</i></li> <li>• <i>Statistics and Counters Reference</i></li> <li>• <i>MME Administration Guide</i></li> <li>• <i>Ultra IoT C-SGN Administration Guide</i></li> </ul>
-----------------------	---

### Revision History

Revision Details	Release
MME is enhanced to detach the UE on deletion of the last PDN associated with the NB-IoT.	21.27
Support is added for Delete Subscriber Data Request (DSR) flag bits 28 and 30 Paging Time Window (PTW) subscription withdrawal with eDRX.	21.26
Paging eDRX H-SFN changed to 10 bits counter.	21.11.3
The eDRX feature is enhanced to support H-SFN Start time configuration in GPS format and H-SFN Reference time in GPS and UTC format. The <b>edrx</b> command in the MME Service Configuration mode is enhanced in this release. Refer to the <i>Configuring Hyper SFN Synchronization</i> section for more information. The feature default for this enhancement is "Enabled - Configuration Required".	21.4
The feature is tested and qualified on the ASR 5500 platform.	21.3
The enhancements in the N5.1 release include: <ul style="list-style-type: none"> <li>• MME supports configuration of the T3415 paging timeout value. MME uses the T3415 timer for eDRX UEs.</li> <li>• The <b>edrx</b> CLI command is enhanced to support DL Buffering Suggested Packet Count in DDN ACK when unable to page UE.</li> <li>• Support of the DL-Buffering-Suggested-Packet-Count AVP</li> </ul>	N5.1 (21.1.V0)
First introduced.	21.0

## Feature Description

The Extended Discontinuous Reception (eDRX) feature allows IoT devices to remain inactive for longer periods. This feature allows the device to connect to a network on a need basis – the device can remain inactive or in sleep mode for minutes, hours, or even days, thus increasing the battery life of the device.

Extended DRX cycles provide UEs longer inactive periods between reading, paging, or controlling channels.



**Important** The Extended DRX feature is license controlled. Contact your Cisco Account or Support representative for information on how to obtain a license.



---

**Important** With release 21.11.3 Paging eDRX H-SFN changed to 10 bits counter to allow values between 0 to 1023 as per 3GPP TS 36.331 V13.13.0.

---

The primary advantage is that without eDRX support, the MME will page the UE unconditionally. When eDRX is enabled, the MME pages the UE only at valid paging occasions and the MME sends the eDRX paging parameters to eNodeB during paging.

#### **DSR flag and PTW Subscription Withdrawal on eDRX**

The MME is enhanced to support Delete Subscriber Data Request (DSR) flags bits 28 and 30, and Paging Time Window (PTW) subscription withdrawal with eDRX. This feature supports on the eDRX related Radio Access Technology (RAT) AVP in the DSDR message. This feature is beneficial to the Session Manager (SessMgr) running the MME application stack.

#### **Enforcing Detach on Last PDN Deactivation**

MME is enhanced to detach the UE on deletion of the last PDN associated with the NB-IoT access type. The enhancement supports a deviation from the 3GPP standards in this respect.

This scenario is applicable only when Attach without PDN Connectivity is enabled for the user.

## How eDRX Works

In order to use the eDRX feature, the UE requests the eDRX parameters during ATTACH and TAU procedures. Based on the configuration, the MME may accept or reject the UE's request to enable the eDRX feature. If the MME accepts the eDRX request, different values of the eDRX parameters are provided based on operator policies, apart from the parameters requested by the UE.

The operator can configure the eDRX parameters Paging Time Window (PTW) and eDRX cycle length duration in the Call Control Profile Configuration mode. The UE requested values of PTW and eDRX cycle length is received in the Attach or TAU request. The H-SFN start time and H-SFN reference time for leap second adjustment can also be configured. MME calculates the paging occasion for the UE using the values of H-SFN start time, H-SFN reference time, PTW, and eDRX cycle length. The UE is paged only at the paging occasion until the PTW expires. The MME rejects all other paging requirements which occur in between the paging occasion.

The downlink buffer duration in DDN ACK can be configured when the MME cannot page the UE. This is an optional configuration. For Downlink Data Notifications (DDN), if the UE is not in a paging occasion, the MME does not page the UE. The MME sends a Downlink Data Notification Reject message to the S-GW along with the DL buffering duration and DL suggested packet count IEs as per the operator configuration. The packet count in DDN ACK can be configured to configure the packet count value. The MME starts a timer to page at the next paging occasion. If downlink buffer duration is not configured, the MME rejects the DDN without these IEs. If the packet count value is not configured locally, the subscription provided value is used. The subscription value can be "0" in which case the packet count IE will not be sent for that subscriber even if it is configured locally.

If the UE is not in a paging occasion, the MME rejects the paging request for dedicated bearer creation request and sends bearer reject to the S-GW with the cause "UE is temporarily not reachable due to power saving". The MME starts a timer to page at the next paging occasion. If the UE is not in a paging occasion during MME-initiated detach where the MME needs to page the UE to send a detach request, the MME does not page the UE and performs an implicit detach.

The following new flags are introduced as part of this feature. These flags are supported in GTPCv2 Indication IE:

- Pending Network Initiated PDN Connection Signaling Indication (PNSI): The source MME supports sending of PNSI flag in GTPCv2 Indication IE of Context response.
- UE Available for Signaling Indication (UASI): The MME supports sending of the UASI flag in GTPCv2 Indication IE of Create Session Request and Modify Bearer Request to indicate to the P-GW that the UE is available for end-to-end signaling.
- Delay Tolerant Connection Indication (DTCI): The MME supports receiving the DTCI flag in Create Session Response from the S-GW. The MME supports receiving of the DTCI flag in Context Response and Forward Relocation Request from peer MME or S4-SGSN.

The MME rejects CBR/UBR when PPF is False. The cause "UE is temporarily not reachable due to power saving" is sent in the response by the MME if the corresponding PDN was marked "Delay tolerant" by P-GW.

### DSR flag and PTW Subscription Withdrawal on eDRX

If MME receives the eDRX-Related-RAT AVP (1705) with the DSR flag set for eDRX withdrawal, the MME compares the RAT type of the subscriber session with the received RAT type in eDRX-Related-RAT AVP. If it matches, then the MME resets the eDRX information to the values negotiated in the Attach Request.

**Table 19: Procedure**

Step	Message Type	Description
1	Create Session Request	The MME includes Origination Time Stamp and Maximum Wait time on S11 interface. When present, the Origination Time Stamp contain the Universal Time Code (UTC) time when the originating entity initiated the request, and the Maximum Wait Time will contain the duration (number of milliseconds since the Origination Time Stamp) during which the originator of the request waits for a response.  If S-GW receives IEs from the MME, then the S-GW includes these IEs on the S5 or S8 interface.
2	Credit Control Request-Initial Request	The IEs received in P-GW sends messages to PCRF through Gx interface. This gets included only in the initial request of CCR.
3	Authentication Authorization Request	The IEs received in P-GW sends messages AAA through s6b interface.

## eDRX Parameters

A Hyper-SFN (H-SFN) frame structure is defined for regular idle mode DRX. Each H-SFN value corresponds to a legacy SFN cycle comprised of 1024 radio frames (10.24 seconds). For WB-E-UTRAN, the extended idle mode DRX value range consists of values starting from 5.12seconds (for example, 5.12, 10.24, 20.48 seconds and so on) up to a maximum of 2621.44 seconds (almost 44 minutes). For NB-IoT, the extended idle mode DRX value range starts from 20.48seconds (for example, 20.48, 40.96, 81.92 seconds and so on) up to

a maximum of 10485.76 seconds (almost 3 hours). When eDRX is enabled for a UE, the UE is reachable for paging in specific Paging Hyperframes (PH), which is a specific set of H-SFN values. The PH computation is a formula that is function of the eDRX cycle, and a UE specific identifier. This value can be computed at all UEs and MMEs without need for signalling. The MME includes the extended idle mode DRX cycle length in paging message to assist the eNodeB in paging the UE.

The MME also assigns a Paging Time Window length, and provides this value to the UE during attach/TAU procedures together with the extended idle mode DRX cycle length. The UE first paging occasion is within the Paging Hyperframe. The UE is assumed reachable for paging for an additional Paging Time Window length after first paging occasion. After the Paging Time Window length, the MME considers the UE unreachable for paging until the next Paging Hyperframe.

## Loose Hyper SFN Synchronization

In order for the UE to be paged at the same time, the H-SFN of all eNodeBs and MMEs must be loosely synchronized. Each eNodeB and MME synchronizes the H-SFN counter so that the start of H-SFN=0 coincides with a pre-configured time. It is assumed that eNodeBs and MMEs are able to use the same H-SFN value with accuracy in the order of legacy DRX cycle lengths, for example 1 to 2 seconds. Synchronization is not required at SFN level and signaling between network nodes is not required to achieve loose H-SFN synchronization.

## Paging and Paging Retransmission Strategy

When the MME receives trigger for paging and the UE is reachable for paging, the MME sends the paging request. If the UE is not reachable for paging, then the MME pages the UE just before the next paging occasion. The MME determines the Paging Time Window length based on paging retransmission strategy, and uses it to execute the retransmission scheme.

The MME uses the T3413 timer for non-eDRX UEs to re-transmit paging. For eDRX UEs the MME uses the T3415 timer and on expiry of T3415 timer, the network aborts the paging procedure.

If a session recovery occurs then the eDRX timer re-starts only for the remaining time of the total time configured before session recovery. This is to ensure that the UE and MME are in sync with respect to the paging occasion.

## Limitations and Restrictions

The following are the limitations for eDRX Support for the MME feature:

- eDRX feature is compatible only with IoT devices. It is not available for all Mobile Stations (MS). For example, only those MSs and their respective Base Service Stations (BSS) that have the extended coverage parameters are supported by the SGSN.
- 'eDRX withdrawal through HSS' feature to withdraw HSS provided eDRX parameters through Delete Subscriber Data Request (DSR) flag bits 28 (Paging Time Window Subscription Withdrawal) and 30 (eDRX-Cycle-Length Withdrawal) <3GPP rel 15 TS 29.272> is currently supported for NB-IoT subscribers.
- The **show mme-service session** CLI command is enhanced to print the current EDRX parameters PTW and EDRX-Cycle-Length values for only NB-IoT subscribers.
- As part of HSFN synchronization, if eNodeBs and MMEs use different epochs, (for example, due to the use of different time references), the GPS time should be set as the baseline. This is currently not supported.

- If the network starts timer T3415, the network shall set timer T3415 to a value smaller than the value of timer T3-RESPONSE. This is currently not supported.

## Standards Compliance

The eDRX feature complies with the following standards:

- 3GPP TS 23.682 version 13.4.0, Architecture enhancements to facilitate communications with packet data networks and applications (Release 13)
- 3GPP TS 24.302 version 13.5.0, Non-Access-Stratum (NAS) protocol for Evolved Packet System (EPS); Stage 3 (Release 13)
- 3GPP TS 23.401 version 13.5.0, General Packet Radio Service (GPRS) enhancements for Evolved Universal Terrestrial Radio Access Network (E-UTRAN) access.
- 3GPP TS 29.274 version 13.5.0, 3GPP Evolved Packet System (EPS); Evolved General Packet Radio Service (GPRS) Tunneling Protocol for Control plane (GTPv2-C); Stage 3
- 3GPP TS 36.304 version 13.3.0, Evolved Universal Terrestrial Radio Access (E-UTRA); User Equipment (UE) procedures in idle mode
- 3GPP TS 36.300 version 13.2.0, Evolved Universal Terrestrial Radio Access (E-UTRA) and Evolved Universal Terrestrial Radio Access Network (E-UTRAN); Overall description; Stage 2
- 3GPP TS 36.413 version 13.1.0, Evolved Universal Terrestrial Radio Access Network (E-UTRAN); S1 Application Protocol (S1AP)
- 3GPP TS 24.008 version 13.5.0, Mobile radio interface Layer 3 specification; Core network protocols; Stage 3

## Configuring eDRX on the MME

### Enabling eDRX on MME

Use the following configuration to enable the eDRX feature on the MME in the Call Control Profile Configuration mode. The configuration provides options to configure:

- Accept eDRX parameters: Paging Time Window (PTW) and eDRX cycle length value, from the UE
- PTW and eDRX cycle length value
- Downlink buffer duration in DDN ACK when unable to page UE
- "DL Buffering Suggested Packet Count" in DDN ACK when unable to page UE

```
configure
  call-control-profile profile_name
    edrx { ptw ptw_value edrx-cycle cycle_length_value | ue-requested } [
  dl-buf-duration [ packet-count packet_count_value ] ]
    remove { edrx | nb-iot edrx }
  end
```



Notes:

- The **remove** keyword disables the eDRX configuration on the MME.
- The **edrx** keyword configures extended discontinuous reception parameters.
- The **ue-requested** keyword specifies the accepted UE requested values of the of the Paging Time Window (PTW) and the eDRX cycle length received from the UE in the Attach Request/TAU Request message be accepted.
- The **ptw** *ptw\_value* keyword configures the PTW value.  
In releases prior to 21.2: *ptw\_value* is an integer ranging from 0 to 20.  
In 21.2 and later releases: *ptw\_value* is an integer ranging from 0 to 15. The values 0 to 15 are mapped to 2.56, 5.12, 7.68, 10.24, 12.80, 15.36, 17.92, 20.48, 23.04, 25.60, 28.16, 30.72, 33.28, 35.84, 38.40 and 40.96 seconds.
- The **edrx-cycle** keyword configures the eDRX cycle length. The *cycle\_length\_value* is an integer value in seconds from 5.12 to 2621.44. It is a multiple of 2 starting from 5.12 up to 2621.44 seconds (for example: 5.12, 10.24, 20.48, and so on).
- The **dl-buf-duration** keyword sends Downlink Buffer Duration data in the DDN ACK message when MME is unable to page the UE.
- The **packet-count** keyword sends "DL Buffering Suggested Packet Count" in DDN ACK when the UE cannot be paged. The *packet\_count\_value* is an integer from 0 to 65535. If the *packet\_count\_value* is not configured locally, the subscription provided value for the *packet\_count\_value* is used. The subscription value can be 0 in which case the packet count IE will not be sent for that subscriber even if it is configured locally.
- This command is disabled by default.

### Verifying eDRX on the MME

Execute the following command to verify the configured values.

```
show call-control-profile full name profile_name
```

Extended DRX:

```
Paging Time Window           : 10 Seconds
eDRX Cycle Length            : 512 Seconds
Downlink Buffer Duration in DDN Ack : Enabled
DL Buffering Suggested Packet count in DDN Ack : 10
```

## Configuring Hyper SFN Synchronization

This section describes the Hyper-SFN Synchronization start time and reference time configuration.

### Configuring Hyper-SFN Synchronization Start Time

Use the following configuration to configure the Hyper-SFN Synchronization start time in GPS or UTC format.

```
configure
  context context_name
    mme-service service_name
```

```

edrx hsfn-start start_time [ gps | utc ]
no edrx hsfn-start
end

```

Notes:

- The **no** option disables the H-SFN synchronization time configuration.
- *start\_time*: Specifies the time at which H-SFN=0 starts, entered in GPS or UTC time format. The UTC time format is **YYYY:MM:DD:hh:mm:ss**.
- **gps** | **utc**:
  - **gps**: Specifies the time at which H-SFN=0 starts in GPS format. GPS time starts from 1980:01:06:00:00:00.  
For example: **edrx hsfn-start 2000:03:01:12:34:56 gps**
  - **utc**: Specifies the time at which H-SFN=0 starts in UTC format. UTC time starts from 1972:06:30:00:00:00.  
For example: **edrx hsfn-start 2000:03:01:12:34:56 utc**
- The **gps** and **utc** keywords are optional. If not explicitly provided, then H-SFN=0 starts in UTC format.
- After the HSFN-start configuration, the HSFN-reference can be configured to adjust the leap seconds.

## Configuring Hyper-SFN Synchronization Reference Time

Use the following configuration to configure the Hyper-SFN Synchronization reference time for leap second adjustment.

```

configure
  context context_name
    mme-service service_name
      edrx hsfn-reference ref_time adjust leap_seconds
      no edrx hsfn-reference
    end

```

Notes:

- *ref\_time*: Specifies the reference time in UTC format as **YYYY:MM:DD:hh:mm:ss**.
- **adjust** *leap\_seconds*: Specifies the number of leap seconds that need to be adjusted. *leap\_seconds* must be an integer from 0 to 100.
  - A maximum of 2 H-SFN reference time configuration is allowed. The first configuration will be the latest leap-second adjustment UTC time and the second configuration will be the next or declared leap-second adjustment UTC time.

For example:

Consider the following H-SFN reference time configuration:

```
edrx hsfn-reference 2017:01:01:00:00:00 adjust 5
```

When the next leap second adjustment is announced with new time **2018:01:01:00:00:00**, MME can be configured any time before 2018:01:01 with the following configuration.

```
edrx hsfn-reference 2018:01:01:00:00:00 adjust 6
```

When another leap second adjustment is announced with another new time **2018:06:30:00:00:00**, MME can be configured any time before 2018:06:30 with the following configuration, and deletes the oldest time reference (2017:01:01) configuration.

```
no edrx hsfm-reference 2017:01:01:00:00:00
edrx hsfm-reference 2018:06:30:00:00:00 adjust 7
```

- For HSFN-Start in GPS format, the number of leap seconds must be provided from 1980:1:06. For example: at 2017:01:01:00:00:00, the number of leap seconds from 1980:1:06 are 18.
- For HSFN-Start in UTC format, the number of leap seconds must be provided from the HSFN-Start time. For example: at 2000:03:01:12:34:5, the number of leap seconds from 2000:03:01:12 are 5.
- The **no** option disables the H-SFN reference time configuration.
- The **edrx hsfm-reference** command is disabled by default.

## Understanding Lead Seconds Adjustments

A second (leap second) is added to our clocks to synchronize them with the Earth's slowing rotation.

The International Earth Rotation and Reference Systems Service (IERS) is responsible for monitoring the Earth's rotation and deciding when to insert a leap second.

Leap seconds are added from time to time to ensure that our clocks reflect the Earth's rotation speed as accurately as possible. The speed at which our planet rotates around its axis fluctuates daily and it slows down slightly when measured over a long period (although for shorter periods it may speed up).

By adding an extra second to the time count allows clocks to stop for that second to give Earth the opportunity to catch up.

### How it Works

The Coordinated Universal Time (UTC) is the world's time standard, and each time zone is defined by some hours or minutes ahead or behind UTC.

At its core, UTC follows International Atomic Time (TAI). This time scale combines the output of some 200 highly precise atomic clocks that are maintained in laboratories around the world.

UTC was already 10 seconds behind TAI before the first leap second was added in 1972. Since then, the Earth has slowed down an extra 27 seconds, and a total of 27 leap seconds have been added. This means that UTC is currently 37 seconds behind TAI. For more information see, the *Past Leap Seconds* table.

**Table 20: Past Leap seconds**

UTC Date	UTC Time	Difference TAI vs. UTC
<b>30/06/1972</b>	23:59:60	11 secs
<b>31/12/1972</b>	23:59:60	12 secs
<b>31/12/1973</b>	23:59:60	13 secs
<b>31/12/1974</b>	23:59:60	14 secs
<b>31/12/1975</b>	23:59:60	15 secs

UTC Date	UTC Time	Difference TAI vs. UTC
31/12/1976	23:59:60	16 secs
31/12/1977	23:59:60	17 secs
31/12/1978	23:59:60	18 secs
31/12/1979	23:59:60	19 secs
30/06/1981	23:59:60	20 secs
30/06/1982	23:59:60	21 secs
30/06/1983	23:59:60	22 secs
30/06/1985	23:59:60	23 secs
31/12/1987	23:59:60	24 secs
31/12/1989	23:59:60	25 secs
31/12/1990	23:59:60	26 secs
30/06/1992	23:59:60	27 secs
30/06/1993	23:59:60	28 secs
30/06/1994	23:59:60	29 secs
31/12/1995	23:59:60	30 secs
30/06/1997	23:59:60	31 secs
31/12/1998	23:59:60	32 secs
31/12/2005	23:59:60	33 secs
31/12/2008	23:59:60	34 secs
30/06/2012	23:59:60	35 secs
30/06/2015	23:59:60	36 secs
31/12/2016	23:59:60	37 secs
<i>*Further leap seconds not yet announced.</i>		

### Calculating Leap Seconds

Use the *Past Leap Seconds* table to count the number of leap seconds that are added in between the start time and the reference time chosen.

**Example 1:** For HSFN-Start in GPS format, provide the number of leap seconds from 1980:01:06:00:00:00. For example, if start time is configured at 1980:01:06:00:00:00 and reference time is configured at 2017:01:01:00:00:00, then the number of leap seconds that is added in between these start and reference times are 18. Hence, leap seconds adjustment becomes 18.

**Example 2:** For HSFN-Start in UTC format, provide the number of leap seconds from the HSFN-Start time. For example, if start time is configured at 2000:03:01:12:34:05 and reference time is configured at

2017:01:01:00:00:00, then the number of leap seconds that is added in between these start and reference times are 5. Hence, leap seconds adjustment becomes 5.

## Verifying H-SFN Synchronization

Use the following command to verify the H-SFN configuration:

```
show mme-service full service_name
```

Extended DRX:

```
H-SFN Start           : 2016:03:01:12:34:56 GPS | UTC
H-SFN UTC Reference  : 1982:209.165.200.224
Adjusted time        : 1
```

## Configuring the T3415 eDRX Timer

This section describes how to configure the T3415 eDRX timer. This timer is used to configure the eDRX paging timeout. The **t3415-timeout** keyword is added as part of the **emm** command in the MME Service Configuration mode. The **emm** command is used to configure evolved mobility management timer parameters such as timeout durations for timers and retransmission counts and for Non-Access Stratum (NAS) message retransmission in MME service.

**configure**

```
mme-service service_name
  emm { implicit-detach-timeout detach_dur | mobile-reachable-timeout
mob_reach_dur | t3346-timeout t3346_dur | t3412-extended-timeout t3412_ext_dur
| t3412-timeout t3412_dur | t3413-timeout t3413_dur | t3415-timeout t3415_dur
| t3422-timeout t3422_dur | t3423-timeout t3423_dur | t3450-timeout t3450_dur
| t3460-timeout t3460_dur | t3470-timeout t3470_dur }
  default emm { implicit-detach-timeout | mobile-reachable-timeout |
t3346-timeout | t3412-extended-timeout | t3412-timeout | t3413-timeout |
t3415-timeout | t3422-timeout | t3423-timeout | t3450-timeout |
t3460-timeout | t3470-timeout }
```

Notes:

- The keyword **t3415-timeout** *t3415\_dur* is used to configure the T3415 paging timeout value. The *t3415\_dur* is an integer value in the range 1 up to 20 seconds. The default value is 6 seconds.

### Verifying the T3415 eDRX Timer

Execute the **show mme-service full service\_name** command to verify the configured value of the T3415 timer.

For example: The **T3415 Timeout** parameter displays the configured value of T3415 timer as 3 seconds.

```
show mme-service full service_name
```

```
T3415 Timeout : 3s
```

## Configuring the T3415 eDRX Timer in LTE Paging Profile Configuration Mode

This section describes how to configure the T3415 eDRX timer in the LTE Paging Profile Configuration mode. This timer is used to configure the eDRX paging timeout. The **t3415-timeout** keyword is added as part of the **paging-stage** command under the LTE Paging Profile Configuration mode. The **paging-stage**

command enables the operator to configure different stages of paging in the order of desired execution with parameters that control the pace, volume, and behavior of a given paging stage.

```
configure
  lte-policy policy_name
    paging-profile profile_name
      [ no ] paging-stage level match-criteria { ue-contact-time seconds |
        all } action { last-n-enb-last-tai max-n-enb value | all-enb-last-tai |
        all-enb-all-tai } t3413-timeout seconds max-paging-attempts attempts [
        t3415-timeout t3415_dur ]
      end
    end
```

Notes:

- The **t3415-timeout** *t3415\_dur* keyword is used to configure the T3415 paging timeout value. The *t3415\_dur* is an integer ranging from 1 to 20 seconds.
- The **no** keyword disables the configuration.
- There are no re-tries in a paging stage.
- This command is disabled by default.

## Configuring NB-IoT in UE Context

Use the following configuration to detach the UE on the deletion of the last PDN for NB-IoT access type even if the UE did an attach with Attach Without PDN Connectivity enabled:

```
configure
  call-control-profile profile_name
    [ remove ] nb-iot ignore-attach-without-pdn
  end
```

NOTES:

- **nb-iot ignore-attach-without-pdn**: Allows detach of Attach-Without-PDN UE after last PDN disconnect.
- **remove**: Disables the existing configuration.

## Monitoring and Troubleshooting eDRX

### eDRX Show Command(s) and /or Outputs

This section provides information regarding the show commands and their outputs for the eDRX feature.

### show mme-service statistics

The following fields are added to the output of this command.

- EDRX Subscribers - Displays information about the eDRX subscribers.
- Attached Cells - Displays the number of attached subscribers for which eDRX is enabled.

- DDN Rejects - Displays the number of DDNs rejected when eDRX subscribers cannot be paged (UE is out of the paging window).

#### **show egtpc statistics verbose**

The following fields are added to the output of this command.

- UE not reachable due to PSM
- Create Bearer Denied
- Create Bearer Denied TX
- Update Bearer Denied
- Update Bearer Denied TX

The Create Bearer Request (CBR) and Update Bearer Request (UBR) are rejected when the UE is in Power Saving Mode. The MME sends the cause "EGTP\_CAUSE\_UE\_TEMP\_NOT\_REACHABLE\_DUE\_TO\_POWER\_SAVING" in the reject message if that PDN is marked "Delay Tolerant" by PGW (DTCI flag enabled in PDN Connection Indication IE of Create Session Response). Otherwise the MME sends the cause "EGTP\_CAUSE\_UNABLE\_TO\_PAGE\_UE" to S-GW in CBR/UBR Reject.

#### **show lte-policy paging-profile name *profile\_name***

The following fields are added to the output of this command.

- Paging Stage
- Paging Action
- Match Criteria
- T3413-Timeout
- Max Paging Attempts
- T3415-Timeout

#### **Troubleshooting**

The following troubleshooting steps can be used to verify the eDRX configuration:

- If eDRX is not enabled, verify if the eDRX parameters are configured in the call control profile and the eDRX H-SFN start time is configured for the MME service.
- If paging failures occur, verify the eDRX parameters.

## **Show Commands and Outputs**

This section provides information about the show commands and outputs to displays the current Paging eDRX information of a subscriber.

## show mme-service session full all | grep Paging

Table 21: show mme-service session full all | grep Paging Command Output Descriptions

Field	Description
SessMgr Instance	The Session Manager instance managing this session.
Paging eDRX	The following are the paging eDRX parameters: <ul style="list-style-type: none"> <li>• eDRX cycle length</li> <li>• PTW</li> </ul>
MSID	The UE identity (MS Identity) of a connected subscriber to an MME service, and whether the subscriber is unauthenticated (such as during emergency attach).
Callid	The call identity in 8 digit hex number of connected calls to an MME service.
MME Service	The name of the serving MME service of which information is displayed.
MME HSS Service	The name of the serving MME-HSS service which is used for AAA for this subscriber with HSS on S6a interface.
EGTP S11 Service	The name of the serving eGTP service which is used for connectivity between MME and S-GW on S11 interface.
MME S1 Address	The IP address of MME used for connecting with eNodeB on S1-MME interface.
EGTP S11 Address	The IP address assigned to eGTP service which is used for connectivity between MME and S-GW on S11 interface.
ME Identity	The mobile equipment identity of connected UE.
GUTI	The Globally Unique Temporary Identifier (GUTI) used for this subscriber session. GUTI is constructed with following identifiers: <ul style="list-style-type: none"> <li>• PLMN (MMC and MNC)</li> <li>• MME Group ID (MMEGI)</li> <li>• MME Code (MMEC)</li> <li>• MME TMSI (M-TMSI)</li> </ul>
MSISDN	The Mobile Station International ISDN Number (MSISDN) of connected EPS subscriber to an MME service.
EMM State	The status of EPS Mobility Management (EMM) session of connected subscriber. Possible status are: <ul style="list-style-type: none"> <li>• Registered</li> <li>• Connected</li> </ul>



Field	Description
ECM State	The status of EPS Connection Management (ECM) session of connected subscriber. Possible status are: <ul style="list-style-type: none"> <li>• Registered</li> <li>• Connected</li> <li>• Idle</li> </ul>
Attach type	Indicates the type of UE attachment of active subscriber to MME service, for example: Emergency or Initial EPS.
Active SGW S11 Addr	The IP address of S-GW connected to MME on S11 interface.
SGW Control TEID	Displays the TEID of the S-GW currently serving the UE.
UE Offloading	Displays the UE offload state for load rebalancing. Possible values are None, Marked, In-Progress and Done.
UE Reachability Timer	The configured value of the mobile reachability timer set for tracking UE in EMM session.
Remaining Time	The remaining time in seconds out of the configured value of the mobile reachability timer in the EMM session.
Paging Proceed Flag (PPF)	The current state of the Paging Proceed Flag indicating whether or not the UE is sending periodic TAUs within the span of the mobile reachability timer. If the UE fails to send a TAU within the timer value, this flag is set to "Paging Disabled" indicating that the MME is no longer paging the UE.
ISR Status	Displays if the session is using Idle mode Signaling Reduction (ISR). Possible configurations are Activated or Not activated.
Low Access Priority Indication	Displays whether this session has LAPI indicator in any of attach/extended service/TAU/bearer resource allocation/bearer resource modification/PDN connectivity requests.
Initial UE establishment cause	Displays the establishment cause as set in the Initial UE message: Delay Tolerant Access / High Priority Access / Emergency / MT-Access / Unknown
Peer SGSN	Displays the IP address of the SGSN which has a context for this UE in support of Idle mode Signaling Reduction (ISR). A Peer SGSN address is only shown when ISR is activated for this session.
<b>UE Capability Information</b>	This group shows the UE Capability information for connected UE received by an MME service.
Radio Capability	The radio capability information received by an MME service for connected UE in UE capability exchange message.
Radio Capability for Paging	The radio capability information received by an MME service for paging the UE.  This field displays the value in hexadecimal format if the UE receives "UE Radio Capability for Paging" IE in S1 "UE-CAPABILITY-INFO-INDICATION" message from eNB. Otherwise, this field displays N/A.

Field	Description
Supported Codec List	The Supported Codec List information received by an MME service for connected UE in UE capability exchange message.
Mobile Station Classmark 2	The Mobile Station Classmark 2 information received by an MME service for connected UE in UE capability exchange message.
Mobile Station Classmark 3	The Mobile Station Classmark 3 information received by an MME service for connected UE in UE capability exchange message.
<b>Security Mode Information</b>	This group shows the status of NAS integrity check and NAS ciphering along with applicable algorithm as security mode information. It contains following information: <ul style="list-style-type: none"> <li>• NAS Integrity Check</li> <li>• NAS Integrity Check Algorithm</li> <li>• NAS Ciphering</li> <li>• NAS Ciphering Algorithm</li> </ul>
<b>Active ENodeB information</b>	This group shows the information of active eNodeB serving to this session.
Global ENodeB ID	The global identifier of active eNodeB serving to this session.
S1AP End Point	The IP address used by eNodeB on S1AP interface to connect with MME service.
Crypto-map Name	The name of the crypto map supporting this EnodeB association.
MME UE S1AP ID	Indicates the session identifier between MME and UE on S1AP interface serving to this session.
ENodeB UE S1AP ID	Indicates the session identifier between eNodeB and UE on S1AP interface serving to this session.
MME UE S1AP ID (stack):	Indicates up to three MME UE S1AP session identifiers present in this S1AP stack.
ENodeB UE S1AP ID (stack):	Indicates up to three eNodeB UE S1AP session identifiers present in this S1AP stack.
Total S1AP ID (stack)	Indicates the total count of S1AP session identifiers present in the stack.
<b>Idle Mode Information Data</b>	This group shows the information for the sessions in ECM idle mode.
Last TAI	Tracking Area Identity of the last Tracking Area visited by UE.
Last ECGI	E-UTRAN Cell Global Identifier of the last Cell visited by UE.
Last Connected ENodeB	Displays information about the ENodeB to which the session was last connected. <ul style="list-style-type: none"> <li>• <b>Global ENodeB ID:</b> Global ENodeB Identifier of the ENodeB to which the UE last connected.</li> <li>• <b>S1AP End Point:</b> End Point IP Address of the ENodeB to which the UE last connected.</li> </ul>

Field	Description
<b>UE Subscription Data</b>	This group shows the subscribed aggregate maximum bit rate applicable for connected UE in this session.
UE-UL-AMBR	The subscribed aggregate maximum bit rate in bits per second in upload traffic for connected UE in this session.
UE-DL-AMBR	The subscribed aggregate maximum bit rate in bits per second in download traffic for connected UE in this session.
Enforced UE-UL-AMBR at eNodeB	The enforced aggregate maximum bit rate in bits per second in upload traffic for connected UE at eNodeB in this session.
Enforced UE-DL-AMBR at eNodeB	The enforced aggregate maximum bit rate in bits per second in download traffic for connected UE at eNodeB in this session.
<b>PDN Information</b>	This group shows the information of PDNs connected for this session.
APN Name	The APN name which is serving for this PDN in this session.
UE Requested APN	Displays the UE requested APN with non-standard characters in hexadecimal format and standard characters in normal string format.
APN Restriction	The total number of APN restriction applied to this PDN.
PDN Type	The type of PDN (IPv4 and/or IPv6) which is serving in this session for PDN.
PGW Address	The IP address of the P-GW which is serving this session for connected PDN.
PGW control TEID	The control tunnel end identifier at P-GW on S5/S8 interface for control messaging serving to this session.
UE IPv4 Address	The IP address allocated to UE while connected to PDN in this session.
APN-UL-AMBR	The applicable aggregate maximum bit rate in bits per second in upload traffic for APN serving this PDN.
APN-DL-AMBR	The applicable aggregate maximum bit rate in bits per second in download traffic for APN serving this PDN.
Bearer Suspension State	The current suspension state of the bearer.
CSG Cell Change Notification	Displays CSG Information Reporting as specified by the PGW. If enabled, the MME sends notification when the UE enters or leaves a closed CSG cell.
CSG Subscribed Hybrid Cell Change Notification	Displays CSG Information Reporting as specified by the PGW. If enabled, the MME sends notification when the UE enters or leaves a hybrid cell as a subscribed member of the CSG in question.
CSG Unsubscribed Hybrid Cell Change Notification	Displays CSG Information Reporting as specified by the PGW. If enabled, the MME sends notification when the UE enters or leaves a hybrid cell with unsubscribed (non-member) status of the CSG in question
Marked for Deletion	Displays whether the PDN has marked for deletion flag set.

show mme-service session full all | grep Paging

Field	Description
APN Restoration Priority	Displays the priority for reactivating impacted PDNs following a P-GW Restart Notification (PRN) where 1 is highest priority, 16 is lowest.
Low Access Priority Indication	Displays whether this PDN has LAPI indicator set as received in PDN connectivity requests.
Bearer Id	The identifier used for bearer between eNodeB and S-GW while connected to PDN in this session.
QCI	The quality class identifier applicable for this MME session.
AMBR	The applicable aggregate maximum bit rate in bits per second in download/upload direction for APN serving this PDN.
S1U ENodeB TEID	Indicates the tunnel end identifier at eNodeB on S1-U interface serving to this session.
S1U SGW TEID	Indicates the tunnel end identifier at S-GW on S1-U interface serving to this session.
S5S8 PGW TEID	Indicates the tunnel end identifier at P-GW on S5/S8 interface serving to this session.
S1U ENodeB IPv4 Addr	Indicates the IPv4 address used at eNodeB while connecting to S-GW on S1-U interface serving to this session.
S1U ENodeB IPv6 Addr	Indicates the IPv6 address used at eNodeB while connecting to S-GW on S1-U interface serving to this session.
S1U SGW IPv4 Addr	Indicates the IPv4 address used at S-GW while connecting to eNodeB on S1-U interface serving to this session.
S1U SGW IPv6 Addr	Indicates the IPv6 address used at S-GW while connecting to eNodeB on S1-U interface serving to this session.
S5S8 PGW Addr	Indicates the IP address used at P-GW while connecting to S-GW on S5/S8 interface serving to this session.
ESM State	The EPS session Management status serving to this session.
Bearer Type	The type of bearer used for this session. Possible values are: <ul style="list-style-type: none"> <li>• Default</li> <li>• Dedicated</li> </ul>
ARP	The Allocation Retention Priority value assigned to the bearer. The HSS assigns the value for default bearers and the P-GW assigns it for dedicated bearers.
PCI	Specifies the ARP Pre-emption Capability Indicator, either Enabled or Disabled.
PVI	Specifies the ARP Pre-emption Vulnerability Indicator, either Enabled or Disabled.
PGW-C+SMF Selected	Specifies that Combined PGW-C/SMF selection indicator, either Yes or No.
Marked for Deletion	Displays whether the bearer has marked for deletion flag set.
Total PDNs	The total number of PDNs connected through this session for a subscriber.

Field	Description
Total Bearers	The total number of bearers created for UE to use in this session.
Max APN Restrictions	The maximum number of APN restrictions applied to this PDN.
<b>Tracking Area Information</b>	This group displays the tracking area information available for this session.
TAI of last TAU	The tracking area identifier used in last Tracking Area Update (TAU) message received for TAU procedure in this session.
Current Tracking Area List	The tracking area list used for TAU procedure in this session.
<b>CSG Information</b>	This group displays Closed Subscriber Group information relating to this session.
CSG ID at Last Connection	Displays the CSG ID for this session. This is a unique identifier within the scope of PLMN which identifies a Closed Subscriber Group (CSG) in the PLMN.
CSG Cell Type	Displays the Closed Subscriber Group cell access mode (type) for this session, either Closed or Hybrid.
CSG Membership Status	Displays if the session is a member of the cell's CSG. Possible values are Member or Non-Member.
Operator Policy Association	The operator policy associated with this PDN.
<b>CSFB Information</b>	This group displays the Circuit-Switched Fall Back configuration associated with the session.
SGS Assoc State	The state of the SGs association with the VLR for the UE as determined by the MME. Possible states are: <ul style="list-style-type: none"> <li>• SGs-NULL: Specifies that there is no SGs association with the VLR for the UE. In this state, no fields in this group will display information.</li> <li>• LA_UPDATE_REQUESTED: Specifies that the MME has requested an update location from the VLR before sending a response to the UE</li> <li>• SGs-ASSOCIATED: Specifies that the MME has stored an SGs association for the UE.</li> </ul>
SGS Service	The name of the configured SGs service associated with the session.
VLR	The name of the VLR, as configured in the SGs service, associated with the session.
LAI	The Location Area Identifier to which the UE is mapped.
Pool Area	The name of the configured Location Area Code (LAC) pool area associated with the SGs service and the session.
P-TMSI	The Packet-Temporary Mobile Subscriber Identifier allocated by the MSC for the UE.

Field	Description
Flags	The current active variables associated with the UE. Possible states are: <ul style="list-style-type: none"> <li>• SMS-Only: Specifies that the UE is combined attached for SMS services only.</li> <li>• MME Reset Indicator: Specifies that the MME has restarted after a failure.</li> <li>• VLR Reliable Indicator: Specifies that the MME has received a reset indication from the VLR.</li> <li>• VLR Offload: Specifies that the UE is set to offload state.</li> <li>• Non-EPS Alert: Specifies that the VLR is requesting from the MME an indication when any signaling activity from the UE is detected.</li> </ul>
CIoT Optimisation Information	Displays the CIoT optimization information.
NB-IoT RAT	Displays if the RAT type NB-IoT is either enabled or disabled.
Attach Without PDN Support	Displays if attach without PDN support is either enabled or disabled.
UE capable of operating in CE-mode-B	Displays "TRUE" or "FALSE" to indicate if UE is operating in CE Mode-B.
Access Profile Association	Displays the configured access-profile name.
DECOR Information:	
UE Usage type	Displays the configured UE usage types.
DCN Id	Displays the configured DCN identifier.
UE DC-NR Information:	
DC-NR capable UE	Indicates whether the UE is DCNR capable.
DC-NR operation allowed	Indicates whether the DCNR operation is allowed by MME for the DCNR capable UE.
UE N1-Mode Information	
N1-mode capable UE	Indicates whether the UE N1 mode information is allowed by MME for the N1-mode capable UE.

## Bulk Statistics

The following bulk statistics are added in the MME Schema in support of the eDRX feature.

- attached-edrx-subscriber - The current number of attached subscribers in eDRX mode.
- ddn-rejects-edrx - The total number of DDN rejects due to eDRX ever since the chassis was up.

## Diameter Attributes

Diameter Attribute Value Pairs (AVPs) carry specific authentication, accounting, authorization, routing and security information as well as configuration details for the request and reply. The following Diameter attributes are added in support of this feature:

### **DL-Buffering-Suggested-Packet-Count**

This AVP indicates the DL buffering suggested packet count.

**Vendor ID** 10415

**VSA Type** 1674

**AVP Type** Integer32

**AVP Flag** V-bit is set to true, M-bit is set to false.







## CHAPTER 33

# Emergency Bearer Services

This chapter describes the MME's implementation of Emergency Bearer services that support IMS emergency sessions.

- [Feature Description, on page 391](#)
- [How It Works, on page 396](#)
- [Configuring Emergency Bearer Service, on page 397](#)
- [Monitoring and Troubleshooting the Emergency Bearer Services, on page 399](#)

## Feature Description

The MME's emergency bearer services are provided to support IMS emergency sessions. Emergency bearer services are functionalities provided by the serving network when the network is configured to support emergency services.

Emergency bearer services are provided to normal attached UEs, depending on local regulation, to UEs that are in limited service state. Receiving emergency services in limited service state does not require a subscription. Depending on local regulation and an operator's policy, the MME may allow or reject an emergency attach request for UEs in limited service state.

The Emergency Bearer Service feature provides a functionality to disable Emergency Bearer Service at a TAI management database level.



---

**Important** This feature is license controlled. Please consult your Cisco Account Representative for information about the specific license. This license was not enforced in earlier releases.

---

## Feature Capabilities

The Emergency Bearer Support is equipped with the following capabilities:

### UE capabilities

For Emergency Bearer Services in EPS, the UE supports the following functionalities:

- IMS Voice Calls.
- ATTACH requests with IMEI as the mobile identity if SIM is not detected in the network.

- PDN Connectivity procedures with request type set to "EMERGENCY".

## MME Capabilities

The MME can accept an Attach Request for an Emergency Bearer Service or a PDN Connectivity Request to an emergency PDN if the network capabilities are configured to support Emergency Bearer Services.

As of 19.2, the MME now also supports:

- Emergency Bearer Service profile configuration. The profile should include the following to complete the profile configuration:
  - APN name
  - PGW FQDN or IP Addresses
  - QoS parameters to setup a session
- Configuration to disable emergency services at TAI management object level to reject emergency calls for a configured list of TAIs

## Call Admission Control

All emergency calls are allowed until the configuration limit is reached. Deletion of existing calls to admit emergency attaches is not in scope of this release.

## Attach for Emergency Bearers

Emergency Bearer Support supports the following ATTACH behaviors:

- Valid UEs only: Only normal UEs that have a valid subscription, authenticated and authorized for PS service in the attached location, are allowed. The normal Authentication and Attach procedures will be executed. The HSS subscription of the UE should allow the UE to be attached to EPS in its current TAI and in the current CSG (if applicable). The emergency attach procedure is not any different from the normal ATTACH procedure in this case.
- Authenticated UEs: These UEs must have a valid IMSI. These UEs are authenticated and may be in limited service state due to being in a location that is restricted from service. The Authentication procedure should complete successfully. The Update Location procedure to the HSS failing, or any further validation of HSS provided subscription data does not affect the processing of the ATTACH request successfully.
- IMSI: These UEs must have an IMSI. If authentication fails, the UE is granted access and the unauthenticated IMSI is retained in the network for the records purposes.
- All UEs: Along with authenticated UEs, this includes UEs with an IMSI that can not be authenticated and UEs with only an IMEI. In this case, an emergency attach request with the IMEI is accepted by the network.
- ISR is deactivated for an emergency attached UE.



### Important

When authentication fails, the MME queries the UE for IMEI, and the received IMEI is used as the key for the UE in the network. The IMSI is used for recording purposes only. If IMEI is used as the key for identifying the UE in the network, there will be no backup database context associated with the call.

## PDN Connectivity for Emergency Bearer Service

A UE that is already attached to the network for EPS services requests for Emergency Bearer Service using a PDN connectivity request. The request-type in PDN Connectivity request is set to "emergency", and no APN information is supplied by the UE.

The MME does not consider HSS provided information to setup a connection, rather uses the locally configured PGW and APN information to setup the PDN connection. The UE is not allowed to request bearer allocations from this PDN, the requests are rejected.




---

**Important** The setup for PDN connection and associated bearers should not be affected by the policy configuration on the MME.

---

### Tracking Area Update Procedure

MME supports the following in the TAU procedure:

- Skip Authentication procedure for a UE that only has PDNs for Emergency Bearer Services.
- If the UE is restricted on the new TAI, and the UE has PDN connection for Emergency Bearer services, the MME:
  - Deactivate all non-Emergency service PDN using with signaling to the UE if the UE is in ECM-CONNECTED.
  - Deactivate all non-emergency service PDN locally, and sending the EPS Bearer Context status IE in the TAU accept message if the UE is ECM-IDLE.
  - The MME shall also indicate to the UE that ISR is turned off
- If re-authentication fails the MME,
  - Deactivate all non-Emergency service PDN using with signaling to the UE if the UE is in ECM-CONNECTED
  - Deactivate all non-emergency service PDN locally, and sending the EPS Bearer Context status IE in the TAU accept message if the UE is ECM-IDLE.
- If a UE attached only for EMERGENCY SERVICES, the MME shall set the mobile reachability timer to the configured T3412 value, and locally detach the UE if mobile reachability timer expires.
- If a TAU for a UE in ECM-IDLE state is received after an emergency attach procedure, which arrives from an area whose emergency services are disabled, MME provides the following functions:
  - Rejection of TAU in case of single emergency PDN.
  - De-activation of all emergency PDNs in case of multiple PDNs.




---

**Note** The above functions are applicable for TAU arriving in idle mode

---

### Inbound relocation Procedures

- Handling inbound relocations with no IMSI and security context present in the incoming MM context.
- If the UE is not valid in new location, or if local policy forbids setup of all bearers in the context, ensure that bearers set up for emergency services are not torn down.
- S1 and X2 handovers occurring after an emergency attach from an area where emergency services are disabled, is allowed to continue in connected mode.

### MME Emergency Configuration Data

MME is supported with the following configuration data:

- Emergency Access Point Name (em APN): A label according to DNS naming conventions describing the access point used for Emergency PDN connection (wild card not allowed).
- Emergency QoS profile: The bearer level QoS parameter values for Emergency APN's default bearer (QCI and ARP). The ARP is an ARP value reserved for emergency bearers.
- Emergency APN-AMBR: The Maximum Aggregated uplink and downlink MBR values to be shared across all Non-GBR bearers, which are established for the Emergency APN, as decided by the PDN GW.
- Emergency PDN GW identity: The statically configured identity of the PDN GW used for emergency APN. The PDN GW identity may be either an FQDN or an IP address. It has be possible to support multiple PDN GW identity to support PGW redundancy.
- Disable emergency services: MME provides CLI control to disable emergency-services at TAI management object level.

### Information Storage

Currently, MME-APP stores UE contexts in lists indexed by IMSI, GUTI or PTMSI. To support emergency IMS bearers for UE without IMSI, MME supports indexing the list of active call lines by IMEI too.

## Interdependences

The Emergency Bearer Service feature affects the related features described in this section, during Attach/TAU processing.

### Regional Zone Code Restriction

The MME does not release a call if,

- Regional Zone Code restriction for a call in progress, and the TAI is restricted
- UE has emergency PDN connections, and emergency connections are allowed in restricted zone codes

### Load Rebalancing

The MME does not impact UEs that are connected for Emergency Bearer Services during load rebalancing procedures (3GPP TS 23.401- 9.6.0 - 4.3.2.7).

### SRVCC

If any of the bearers setup for emergency services have a QCI value of 1, such bearers is moved to CS domain on SRVCC activity. There is no conflict between SRVCC and Emergency Bearer Services. The Sv interface accepts messages without an IMSI, and unauthenticated UEs is supported over the Sv interface.

### CSFB

The attach type IE is used for signaling either a "combined" or "emergency" attach. A UE that is "combined" attached might send a PDN connectivity request for emergency bearer services. After setup of such a bearer, if CSFB is requested, CSFB procedure will proceed with no interaction. Because the UE has been authenticated in the network, there is successful transfer of the UE context to a Gn/Gp SGSN. The SMS functionality of a UE is unaffected by a PDN Connectivity to a emergency PDN.

## Gn/Gp Interface

Since the current version of Gn/Gp interface supported on the MME does not support handover of unauthenticated UE MM contexts to SGSN, Context Requests for an unauthenticated UE context from a Gn/Gp SGSN will be rejected by the MME.

## Operator Policy

The interdependency of the Operator Policy that applies to the Emergency Bearer Service are as follows:

- Maximum PDN or Bearers reached
- Current TAI not supported
- Authentication required by policy fails
- Equipment identification through policy fails.

The specifications are only for calls which have both emergency and non-emergency PDNs. In any of the above policy restriction, the emergency PDN stays established, regardless of what validation level is required for emergency attach.

## Interface

### S11

The following changes are implemented on the S11 interface to support Emergency Service:

- IMSI is made optional in the Create Session Request.
- An indication flag is added to indicate if the IMSI is available but unauthenticated.

### NAS

- New header type added to NAS parser to specify if the message header type is "integrity protected" or "integrity protected and ciphered"
- New Attach type.
- Emergency service support indicator for Attach/TAU accept.

### S3/S10

The following interface changes apply to Context Response and Forward Relocation Request messages:

- Optional IMSI.
- IMSI Validation flag.
- Security Parameters if available.

### S6A

The changes to the S6A interface includes the following:

- Optional HSS handle in UE\_CONTEXT.
- Authentication Information Request not mandatory for all call flows.
- Update Location Requests not sent for Emergency Bearer Services Attach, if the configuration does not require it.

- Cancel Location Request will not clear a call in the MME if the associated IMSI has a PDN connection for Emergency Bearer Services.

## How It Works

The UE can request Emergency Bearer Services depending on its current network state using the following options:

- If the UE is in a limited-access service state, that is, if the UE received a Attach-Reject message from the network or if the UE does not have a SIM, the UE can initiate an ATTACH request message to receive emergency bearer services. On successful ATTACH, the UE receives emergency bearer services.
- If the UE is in a regular connected state, the UE can request emergency bearer services by initiating an ATTACH request using the PDN Connectivity procedures.

## Call Flows

This sections describes the procedures involved in providing Emergency Bearer Support in the MME

- Management of Security context
- Authentication procedure
- Attach procedure
- Detach procedure
- Tracking Area Update procedure
- Service Request procedure
- PDN Disconnection procedure
- Bearer resource exhaustion
- PDN Connect procedure for emergency bearers services
- PGW initiated Dedicated Bearer creation
- UE requested bearer resource allocation procedure
- UE requested bearer resource modification procedure
- Outbound relocation procedures
- TAU Attach
- Inbound relocation procedures

For details on the call flow procedure refer to the links provided in the *Standards Compliance* section.

## Limitations

The Emergency Bearer Support has the following limitations:

- No checks will be made whether the same IMEI is used by UEs that are authenticated using IMSI.
- Only one call shall be allowed for a non-authenticated UE for a particular IMEI.
- Since the MME does not support Context Transfer without IMSI on the Gn/Gp interface, context transfer to a Gn/Gp SGSN will be rejected by MME if the UE has bearers for emergency services.

The following limitations apply to UEs that are ATTACHED for Emergency Bearer Services:

- The UE shall not request for additional PDN Connectivity. Any UE initiated PDN Connectivity requests will be rejected by the network.

The following limitations apply to PDN connection used for Emergency Bearer Services:

- The UE shall not request any Bearer Resource Allocation for such a PDN connection - a request will be rejected by the MME.

The following limitations apply to a EPS bearer context within a PDN connection for Emergency Bearer Services:

- The UE shall not request for Bearer modifications on such a bearer - any requests will be rejected by the MME.

## Standards Compliance

The Emergency Bearer Service complies with the following standards:

- 3GPP TS 23.401 v9.7.0 (2010-12), 3rd Generation Partnership Project; Technical Specification Group Services and System Aspects; General Packet Radio Service (GPRS) enhancements for Evolved Universal Terrestrial Radio Access Network (E-UTRAN) access (Release 9)
- 3GPP TS 24.301 V9.5.0 (2010-12), 3rd Generation Partnership Project; Technical Specification Group Core Network and Terminals; Non-Access-Stratum (NAS) protocol for Evolved Packet System (EPS); Stage 3 (Release 9)

# Configuring Emergency Bearer Service

## Configuring Emergency Bearer Service Parameters

This section describes the configuration of the parameters to support Emergency Bearer Services.

A new object is added to abstract the configuration required for emergency bearer service. This object is then associated with **mme-service**. This object prevents the need to configure the same parameters multiple times for multiple services within the same chassis. It also provides the flexibility to change parameters for different services when required.

The **lte-emergency-profile** command is used to configure a profile, which is associated to a mme-service or sgsn-service to provide emergency bearer services. A maximum of four profile configurations are supported.

```

config
  lte-policy
    lte-emergency-profile test profile_name
      [ [ default ] ue-validation-level ] { auth-only | full
| imsi | none }
      [ [ remove ] apn ] apn_name pdn-type { ipv4 | ipv4v6 |
ipv6 } restoration-priority
      [ [ remove ] qos ] qci qci_value arp arp_value
preemption-capability { may | shall-not } vulnerability { not-preemptable
| preemptable }
      apn-ambr max-ul uplink_value max-dl downlink_value
      pgw ip-address ip_address protocol { both | gtp | pmip }
weight weight_value
    exit
  exit

```

```

exit
  context context_name
    mme-service service_name
      associate lte-emergency-profile profile_name
    end
  end

```

Notes:

- A maximum of four LTE emergency profiles can be configured on the system.
- In the **pgw** command, the valid protocol types are: **both, gtp, and pmip**. A maximum of four P-GW IP addresses can be configured per profile. An FQDN can also be configured in place of the IP addresses but only one P-GW FQDN can be configured per profile.
- To configure the MME to ignore the IMEI validation of the equipment during the attach procedure in emergency cases, use the following command in the **mme-service** configuration mode:

```

policy attach imei-query-type <imei | imei-sv | none> verify-equipmentidentity
verify-emergency

```

- To configure the MME to ignore the IMEI validation of the equipment during TAU procedures in emergency cases, use the following command in the **mme-service** configuration mode:

```

policy tau imei-query-type <imei | imei-sv | none> verify-equipmentidentity
verify-emergency

```

## Disabling Emergency Bearer Services

This section describes the configuration to disable Emergency Bearer Services.

A new CLI is added at TAI management object level to disable emergency services. If the emergency request is received from a TAC, for which emergency services are disabled, then the request would be rejected.

```

configure
  lte-policy
    tai-mgmt-db db_name
    tai-mgmt-obj obj_name
      emergency-services-not-supported
    end
  end

```

Notes:

- The **emergency-services-not-supported** is a newly added keyword to disable emergency bearer services.

## Verifying the Emergency Bearer Service Configuration

Verify the configuration Emergency Bearer Services by entering the following command:

```
show mme-service all
```

The output for the above command is as shown below:

```

Service name           : mmesvc
Context                : ingress
Status                 : STARTED
Bind                   : Done
S1-MME IP Address     : 192.20.20.2
Crypto-Template Name   : None
Max Subscribers       : 4000000

```



```

S1-MME sctp port                : 25
MME Code                        : 2
MME Group                       : 32777
PLMN Id                         : MCC: 123, MNC: 456
Emergency Service Profile       : None
EGTP Context                    : ingress
EGTP Service                    : egtp_mme

```

## Monitoring and Troubleshooting the Emergency Bearer Services

The following sections describe commands available to monitor Emergency Bearer Services on the MME

### Emergency Bearer Services Show Command(s) and/or Outputs

This section provides information regarding show commands and/or their outputs in support of the Emergency Bearer Services

The show commands in this section are available in support of the Emergency Bearer Services

#### show lte-policy tai-mgmt-db name db\_name

```

TAI Management DB tmd1
  TAI Management Object tmo1
    Time Zone UTC +05:15 DST 2
    Zone Code: 1111
    emergency-service-not-supported
    TAI   mcc 123 mnc 456 tac 2345
    TAI   mcc 123 mnc 456 tac 2348
    TAI   mcc 123 mnc 456 tac 1000
    TAI   mcc 123 mnc 456 tac 1001
    TAI   mcc 123 mnc 456 tac 1002
    SGW  10.6.0.14 s5-s8-protocol gtp weight 100

```

#### show mme-service statistics mme-service mmesvc

The mme-service statistics command displays the number of attach rejects, TAU rejects and PDN connectivity rejects, on disabling emergency services.

The output of the above command is as follows:

```

Attach Reject:
  IMSI Unknown in HSS: 0 Illegal UE: 0
  Illegal ME: 0 EPS Not Allowed: 0
  Emergency-services-disabled: 1
TAU Reject Total: 0
  IMSI Unknown in HSS: 0 Illegal UE: 0
  Illegal ME: 0 EPS Not Allowed: 0
  Emergency-services-disabled: 2
TAU Reject Intra MME: 0
  IMSI Unknown in HSS: 0 Illegal UE: 0
  Illegal ME: 0 EPS Not Allowed: 0
  Emergency-services-disabled: 1

```

```

TAU Reject Inter MME:                0
  IMSI Unknown in HSS:                0   Illegal UE:
    0
  Illegal ME:                          0   EPS Not Allowed:
    0
Emergency-services-disabled:          1
PDN Connectivity Reject:              0
  PTI Already in Use:                  0   Unknown or Missing APN:
    0
  Unknown PDN Type:                    0   Invalid Bearer Id:
    0
  Invalid PTI:                          0   Rejected By PGW/SGW:
    0
  Authentication Failed:                0   Svc Opt Not Supported:
    0
  Svc Opt Not Subscribed:               0   Opr Determined Barring:
    0
Insufficient Resource:                 0   Activation Rejected:
    0
  Svc Opt Tmp OutOfOrder:               0   Protocol Errors:
    0
  APN Restrict Incomt:                  0   APN not sup PLMN-RAT:
    0
Emergency-services-disabled:          1

```

## Emergency Bearer Services Bulk Statistics

The following statistics are included in the MME Schema in support of the Emergency Support Services:

For descriptions of these variables, see "MME Schema Statistics" in the *Statistics and Counters Reference*.

- %emm-msgtx-emergency-disabled%
- %emm-msgtx-tau-emergency-disabled%
- %emm-msgtx-tau-inter-emergency-disabled%
- %emm-msgtx-tau-intra-emergency-disabled%
- %esm-msgtx-pdncon-rej-emergency-disabled%



# CHAPTER 34

## Enabling EMM and ESM Cause Code Mapping

- Feature Summary and Revision History, on page 401
- Feature Description, on page 402
- **Enabling EMM/ESM Cause Code Mapping (Cause Code 27) under MME-Service** , on page 402
- Enabling EMM/ESM Cause Code Mapping (Cause Code 27) under Call Control Profile, on page 402
- Show Commands and Outputs, on page 403

### Feature Summary and Revision History

#### Summary Data

Applicable Product(s) or Functional Area	MME
Applicable Platform(s)	<ul style="list-style-type: none"> <li>• ASR 5500</li> <li>• <i>VPC-DI</i></li> <li>• <i>VPC-SI</i></li> </ul>
Feature Default	Enabled - Always On
Related Changes in This Release	Not applicable
Related Documentation	<ul style="list-style-type: none"> <li>• <i>MME Administration Guide</i></li> <li>• <i>Statistics and Counters Reference</i></li> </ul>

#### Revision History

Revision Details	Release
First Introduced	21.22

## Feature Description

The User Equipment (UE) suffers failure, during attach process with an `EMM Attach Reject` message sent from MME to UE. When UE attach request is sent from MME to P-GW, the DNS server responds back with "Server failure", causing the MME to reject the UE attach request with the following error messages:

1. EMM Cause Code 17 `Network Failure`
2. ESM PDN Connectivity Reject Container message with ESM Cause Code 31 `Request Rejected Unspecified`.

To overcome the impact in MME 4G attach SR calculations, the Cause Codes introduced in the EMM Attach Reject/ESM PDN Connectivity Reject message to be EMM Cause Code 19 `ESM Failure` and ESM Cause Code 27 `Missing or Unknown APN`, instead of the current cause codes EMM 17 and ESM 31.

To overcome the UE attach request failure, the following new configuration commands are introduced:

1. `ESM-failure` with EMM Cause Code
2. `ESM-cause-code` with ESM Cause Code option `missing-or-unknown-apn`

## Enabling EMM/ESM Cause Code Mapping (Cause Code 27) under MME-Service

Use the following configuration commands to enable cause code mapping under `mme-service`:

```
configure
  context context_name
    mme-service service_name { local-cause-code-mapping{
pgw-selection-failure( emm-cause-code ){ esm-failure ( esm-cause-code ) (
  unknown-apn ) }}}
```

## Enabling EMM/ESM Cause Code Mapping (Cause Code 27) under Call Control Profile

Use the following configuration commands to enable cause code mapping under call control profile:

```
configure
  call-control-profile profile_name { local-cause-code-mapping{
pgw-selection-failure( emm-cause-code ){ esm-failure ( esm-cause-code )
( unknown-apn ) }}}
```

## Show Commands and Outputs

### **show mme-service all**

The output of this command displays the following newly introduced field:

ESM Failure (EMM-19)	Displays the EMM Cause Code of EMM Attach Reject/ESM PDN Connectivity Reject message.
Missing-or-Unknown-APN (ESM-27)	Displays the ESM Cause Code of EMM Attach Reject/ESM PDN Connectivity Reject message.

### **show call-control-profile full all**

The output of this command displays the following newly introduced field:

ESM Failure (EMM-19)	Displays the EMM Cause Code of EMM Attach Reject/ESM PDN Connectivity Reject message.
Missing-or-Unknown-APN (ESM-27)	Displays the ESM Cause Code of EMM Attach Reject/ESM PDN Connectivity Reject message.





# CHAPTER 35

## eNB Group Based Relative Capacity Transmission

- [Feature Summary and Revision History, on page 405](#)
- [Feature Description, on page 406](#)
- [Configuring eNodeB Group Based Relative Capacity Support, on page 406](#)
- [Monitoring and Troubleshooting, on page 406](#)

### Feature Summary and Revision History

#### Summary Data

Applicable Product(s) or Functional Area	MME
Applicable Platform(s)	<ul style="list-style-type: none"> <li>• ASR 5500</li> <li>• VPC-DI</li> <li>• VPC-SI</li> </ul>
Default Setting	Disabled - Configuration Required
Related Changes in This Release	Not Applicable
Related Documentation	<ul style="list-style-type: none"> <li>• <i>Command Line Interface Reference</i></li> <li>• <i>MME Administration Guide</i></li> </ul>

#### Revision History

Revision Details	Release
First introduced.	21.9.5

## Feature Description

MME allows eNB group configuration to set relative-mme-capacity value for a particular group of eNBs. As part of this feature user can provide relative capacity value along with 'prefix' and 'bits' of eNBs to be matched in eNB grouping configuration. MME uses given configuration to set relative MME capacity for eNB during S1 SET UP procedure for a matching group.

## Configuring eNodeB Group Based Relative Capacity Support

This section describes how to configure eNodeB Group Based Relative Capacity Support.

### relative-mme-capacity

Use the following configuration to add Relative MME Capacity:

```
configure
  lte-policy
    enb-group eNB_group_name
      global-enb-id prefix network_identifier_name bits bits
      relative-mme-capacity relative_mme_capacity
    end
```




---

**Important** Maximum of 20 eNB groups are allowed to configure at any given point of time.

---

- **global-enb-id prefix** *network\_identifier\_name* **bits** *bits*: Global eNB ID prefix contains bit string which should be matched with Hexadecimal value. *network\_identifier\_name* Must Hexadecimal number between 0x0 and 0xFFFFFFFF.
- **bits** Must be an Integer from 1 to 28.
- **relative-mme-capacity** *relative\_mme\_capacity*: Sends Relative MME capacity in S1 setup response for eNB which matches grouping criteria.
- **relative\_mme\_capacity**: Must be an Integer from 1 to 255.

## Monitoring and Troubleshooting

This section provides information regarding show commands available to monitor and troubleshoot the eNB Group Based Relative Capacity Support feature.

### Show Commands and Outputs

**show lte-policy enb-group name <enb\_group\_name>**

The output of this command includes the following fields:



- eNB Group Name
- Global eNB ID Prefix
- Number of Bits
- Relative MME Capacity





## CHAPTER 36

# Enhanced Congestion Control and Overload Control

---

- [Feature Description, on page 409](#)
- [Configuring Enhanced Congestion Control, on page 410](#)
- [Monitoring and Troubleshooting, on page 416](#)

## Feature Description

The MME provides an enhanced congestion control and overload control feature set.

This feature builds on the base congestion control functionality provided on the MME. Refer to the *Congestion Control* and *Overload Control* sections in the *MME Overview* chapter for more information about the basic functionality.

To use this feature, you need a valid license key (MME Resiliency) installed. Contact your Cisco Account or Support representative for information on how to obtain a license.

## Enhanced Congestion Control and Overload Control

To allow greater control during overload conditions, the MME supports the configuration of three separate levels (critical, major, minor) of congestion thresholds for the following system resources:

- System CPU usage
- System service CPU usage (Demux-Card CPU usage)
- System Memory usage
- License usage
- Maximum Session per service

The MME can, in turn, be configured to take specific actions when any of these thresholds are crossed, such as:

- Drop or reject the following S1-AP/NAS messages: S1 Setup, Handover events, TAU request, Service request, PS-Attach request, Combined-attach request, Additional PDN request, or UE initiated bearer resource allocation.
- Allow voice or emergency calls/events.
- Initiate S1AP overload start to a percentage of eNodeBs with options to signal any of the following in the Overload Response IE:

- reject non-emergency sessions
- reject new sessions
- permit emergency sessions
- permit high-priority sessions and mobile-terminated services
- reject delay-tolerant access.

## Relationships to Other Features

This license-enabled feature builds on the base congestion control functionality provided on the MME.

Refer to the *Congestion Control* and *Overload Control* sections in the *MME Overview* chapter for more information about the basic functionality.

Additional information is also provided in the *Congestion Control* chapter in the *System Administration Guide*.

## Limitations

The base congestion control functionality also can monitor congestion of the following resources:

- Port-specific RX and TX utilization
- Port RX and TX utilization
- Message queue utilization
- Message queue wait time

The license-enabled Enhanced Congestion Control functionality on the MME does not support the monitoring of these resources using three different threshold levels (critical, major and minor). Only a single threshold level (critical) can be monitored for these resources.

## Configuring Enhanced Congestion Control

This feature requires that a valid license key be installed. Contact your Cisco Account or Support representative for information on how to obtain a license.

## Configuring Enhanced Congestion Control

This section includes configuration procedures for the following:

- Configuring Thresholds and Tolerances
- License Utilization Thresholds
- Maximum Session Per Service Thresholds
- Service Control CPU Thresholds
- System CPU Thresholds
- System Memory Thresholds
- Configuring a Congestion Action Profile
- Associating a Congestion Action Profile with Congestion Control Policies
- Configuring Overload Control
- Configuring Congestion SNMP Traps

## Configuring Thresholds and Tolerances

Congestion threshold values must be defined to establish when a congestion condition is reached. Congestion threshold tolerances must also be configured to establish when a congestion condition is cleared. Individual thresholds values and tolerances can be defined for *critical*, *major* and *minor* thresholds.

The default tolerance window for critical thresholds is 10. The default for major and minor thresholds is 0.

If the tolerance is configured greater than threshold, then the tolerance will be treated as zero.

When configuring thresholds and tolerances for critical, major and minor congestion levels, the threshold levels and tolerances should never overlap. Consider the following example configuration, where the following threshold levels do not overlap:

- Critical congestion will trigger at 80 and will clear at 70
- Major congestion will trigger at 70 and will clear at 60
- Minor congestion will trigger at 60 and will clear at 50.

### configure

```

congestion-control threshold tolerance critical 10
congestion-control threshold max-sessions-per-service-utilization major
70
congestion-control threshold tolerance major 10
congestion-control threshold max-sessions-per-service-utilization minor
60
congestion-control threshold tolerance minor 10
congestion-control threshold max-sessions-per-service-utilization
critical 80
end

```

For information about all of the congestion control commands available, refer to the *Global Configuration Mode Commands* chapter of the *ASR 5500 Command Line Interface Reference*.

## License Utilization Thresholds

The license-utilization threshold is calculated based on the configured license values for the chassis.

In this example configuration, the minor threshold will be triggered at 4000 calls, major threshold will be triggered at 6000 calls, and critical threshold will be triggered at 8000 calls.

```

congestion-control threshold license-utilization critical 80
congestion-control threshold license-utilization major 60
congestion-control threshold license-utilization minor 40

```

## Maximum Session Per Service Thresholds

This threshold is configured across all MME services.

```

config
congestion-control threshold max-sessions-per-service-utilization critical 80

```

When there are multiple MME services configured with different max-subscribers parameters, chassis congestion will be calculated using the minimum of max-subscribers configured in each of the different MME services.

However, congestion actions will be applied to each individual service based on its corresponding max-session-per-service parameters.

For example:

```

configure
context ingress
  mme-service mmesvc1
    bind sl-mme ipv4-address 209.165.200.228 max-subscribers 10000
    exit
  exit
  mme-service mmesvc2
    bind sl-mme ipv4-address 209.165.200.229 max-subscribers 1000
    exit
  exit
  mme-service mmesvc3
    bind sl-mme ipv4-address 209.165.200.224 max-subscribers 20000
  end

```

In the above example, chassis level critical congestion will get triggered when the number of subscribers in mmesvc2 is at 800. Corresponding SNMP traps will be generated. However, congestion policies will not be applied for mmesvc1 and mmesvc3. When the number of subscribers in mmesvc1 and mmesvc3 reaches 8000 and 16000 respectively, then congestion policies will be applied for mmesvc1 and mmesvc3.

Chassis congestion will be cleared only when the congestion is cleared in all MME services.

Similarly, when minor, major and critical threshold are configured for max-session-per-service for many MME services, the maximum value of the threshold will be considered for chassis level congestion.

For example, if mmesvc1 reaches the major threshold, mmesvc2 reaches the critical threshold and mmesvc3 reaches the minor threshold, then chassis congestion state will be critical.

## Service Control CPU Thresholds

This threshold is calculated from the system's demux CPU. The threshold is calculated based on a five minute average CPU usage.

The highest CPU usage value of two CPU cores of the demux CPU is considered. For example, if CPU core 0 has a five minute CPU usage of 40 and CPU core 1 has a five minute CPU usage of 80, then CPU core 1 will be considered for threshold calculation.

The following example configuration shows threshold levels of 80, 60, and 40 usage:

```

congestion-control threshold service-control-cpu-utilization critical 80
congestion-control threshold service-control-cpu-utilization major 60
congestion-control threshold service-control-cpu-utilization minor 40

```

## System CPU Thresholds

This threshold is calculated using the five minute CPU usage average of all CPUs (except standby CPU and SMC CPU ).

The highest CPU usage value of two CPU core of all CPU will be considered.

The following example configuration shows threshold levels of 80, 60, and 40 usage:

```

congestion-control threshold system-cpu-utilization critical 80
congestion-control threshold system-cpu-utilization major 60
congestion-control threshold system-cpu-utilization minor 40

```

## System Memory Thresholds

This threshold is calculated using the five minute memory usage average of all CPUs (except standby CPU and SMC CPU ).

The following example configuration shows threshold levels of 80, 60, and 40 usage:

```
congestion-control threshold system-memory-utilization critical 80
congestion-control threshold system-memory-utilization major 60
congestion-control threshold system-memory-utilization minor 40
```

## Configuring a Congestion Action Profile

Congestion Action Profiles define a set of actions which can be executed after the corresponding threshold is crossed.

Use the following example configuration which creates a congestion action profile named *critical\_action\_profile* and defines several actions for this profile:

```
configure
  lte-policy
    congestion-action-profile critical_action_profile
      reject sl-setups time-to-wait 60
      drop handovers
      reject combined-attaches
      report-overload permit-emergency-sessions enodeb-percentage 50
    end
end
```

See the *Congestion Action Profile Configuration Commands* chapter in the *Command Line Reference* for details about all the congestion action profile commands available.

Refer to *Configuring Overload Control* in this chapter for more information about the **report-overload** keyword and associated functionality.

## Associating a Congestion Action Profile with Congestion Control Policies

Each congestion control policy (critical, major, minor) must be associated with a congestion control profile.

The following example configuration to associate the congestion action profile named *critical\_action\_profile* with the **critical** congestion control policy:

```
configure
  congestion-control policy critical mme-service action-profile critical_action_profile
```

Separate congestion action profiles can be associated with major and minor congestion control policies, for example:

```
congestion-control policy major mme-service action-profile major_action_profile
congestion-control policy minor mme-service action-profile minor_action_profile
```

## Configuring Overload Control

When an overload condition is detected on an MME, the system can be configured to report the condition to a specified percentage of eNodeBs and take the configured action on incoming sessions.

To create a congestion control policy with overload reporting, apply the following example configuration:

```
configure
  lte-policy
    congestion-action-profile <profile_name>
    congestion-action-profile <profile_name>
  end

  congestion-control policy critical mme-service action report-overload reject-new-sessions
  enodeb-percentage <percentage>
end
```

Notes:

- The following overload actions are also available (in addition to **reject-new-sessions**):
  - **permit-emergency-sessions-and-mobile-terminated-services**
  - **permit-high-priority-sessions-and-mobile-terminated-services**
  - **reject-delay-tolerant-access**
  - **reject-non-emergency-sessions**

See the *Congestion Action Profile Configuration Mode Commands* chapter in the *Command Line Reference* for details about all the congestion action profile commands available.

## Configuring Enhanced Congestion SNMP Traps

When an enhanced congestion condition is detected, an SNMP trap (notification) is automatically generated by the system.

To disable (suppress) this trap:

```
configure
snmp trap suppress EnhancedCongestion
end
```

To re-enable generation of the Enhanced Congestion trap:

```
configure
snmp trap enable EnhancedCongestion target <target-name>
end
```

## Verifying the Congestion Control Configuration

Use the following Exec mode command to display the configuration of the congestion control functionality.

```
show congestion-control configuration
```

The following output is a concise listing of all threshold and policy configurations showing multi-level Critical, Major and Minor threshold parameters and congestion control policies:

```
Congestion-control: enabled

Congestion-control Critical threshold parameters
system cpu utilization:                80
service control cpu utilization:      80
system memory utilization:            80
message queue utilization:            80
message queue wait time:              10 seconds
port rx utilization:                  80
port tx utilization:                  80
license utilization:                  100
max-session-per-service utilization:  100
tolerance limit:                      10

Congestion-control Critical threshold parameters
system cpu utilization:                80
service control cpu utilization:      80
system memory utilization:            80
message queue utilization:            80
message queue wait time:              10 seconds
port rx utilization:                  80
port tx utilization:                  80
license utilization:                  100
```



```

max-session-per-service utilization:      100
tolerance limit:                          10

Congestion-control Major threshold parameters
system cpu utilization:                    0
service control cpu utilization:           0
system memory utilization:                 0
message queue utilization:                 0
message queue wait time:                   0 seconds
port rx utilization:                       0
port tx utilization:                       0
license utilization:                       0
max-session-per-service utilization:       0
tolerance limit:                          0

Congestion-control Minor threshold parameters
system cpu utilization:                    0
service control cpu utilization:           0
system memory utilization:                 0
message queue utilization:                 0
message queue wait time:                   0 seconds
port rx utilization:                       0
port tx utilization:                       0
license utilization:                       0
max-session-per-service utilization:       0
tolerance limit:                          0

Overload-disconnect: disabled

Overload-disconnect threshold parameters
license utilization:                       80
max-session-per-service utilization:       80
tolerance:                                 10
session disconnect percent:                5
iterations-per-stage:                      8

Congestion-control Policy
mme-service:
  Critical Action-profile : ap3
  Major   Action-profile : ap2
  Minor  Action-profile : ap1

```

## Verifying Congestion Action Profiles

To verify the configuration of a congestion action profile, use the following Exec mode command:

```
show lte-policy congestion-action-profile { name <profile_name> | summary }
```

# Monitoring and Troubleshooting

This section provides information on how to monitor congestion control.

## Congestion Control Show Command(s) and/or Outputs

This section provides information regarding show commands and/or their outputs in support of enhanced congestion control.

### show congestion-control statistics mme

The following command shows an overview of all congestion control statistics for the MME.

```
show congestion-control statistics mme [ full | critical | major | minor ]
```

The following output is a concise listing of congestion control statistics. In this example output, only the **Critical** information is shown.

```
Critical Congestion Policy Action
Congestion Policy Applied           :    0 times
PS attaches
    Rejected                         :    0 times
    Dropped                           :    0 times
PS attaches
    Rejected                         :    0 times
    Dropped                           :    0 times
Combined attaches
    Rejected                         :    0 times
    Dropped                           :    0 times
SI-Setup
    Rejected                         :    0 times
    Dropped                           :    0 times
Handover
    Rejected                         :    0 times
    Dropped                           :    0 times
Addn-pdn-connect
    Rejected                         :    0 times
    Dropped                           :    0 times
Addn-brr-connect
    Rejected                         :    0 times
    Dropped                           :    0 times
Service-Request
    Rejected                         :    0 times
    Dropped                           :    0 times
TAU-Request
    Rejected                         :    0 times
    Dropped                           :    0 times
SIAP Overload Start Sent             :    2 times
SIAP Overload Stop Sent              :    2 times
Excluded Emergency Events            :    0 times
Excluded Voice Events                :    0 times
```

### show congestion-control statistics mme

The following command shows SNMP event statistics for the EnhancedCongestion trap and EnhancedCongestionClear trap .

```
show snmp trap statistics verbose | grep EnhancedCongestion
```

show congestion-control statistics mme



## CHAPTER 37

# Enhanced Multimedia Priority Service (eMPS)

The MME supports eMPS (Enhanced Multimedia Priority Service) in PS (Packet Switched) and CS (Circuit Switched) domains.

- [Feature Description, on page 419](#)
- [How it Works, on page 419](#)
- [Configuring Enhanced Multimedia Priority Service, on page 422](#)
- [Monitoring and Troubleshooting, on page 425](#)

## Feature Description

This feature is developed to provide MME support for eMPS (Enhanced Multimedia Priority Service) in PS (Packet Switched) and CS (Circuit Switched) domains. If UEs subscription information contains MPS-Priority AVP and the MPS-EPS-Priority bit set, the MME classifies such UEs for Enhanced Multimedia Priority Service (eMPS) in PS domain. The MME includes paging priority IE in S1 AP Paging message if it receives events like DDN/CBR/UBR for users having MPS EPS subscription. The MME also supports priority SRVCC handovers by providing ARP information to the MSC in SRVCC PS to CS Request message.



---

**Important** This feature is license controlled. Please consult your Cisco Account Representative for information about the specific license.

---

## How it Works

The MME receives the eMPS subscription information which is indicated by the MPS-Priority IE in HSS subscription data or local configuration for eMPS subscription. Local configuration of eMPS subscription overrides the information received from the HSS.

For PS paging the MME supports Paging Priority in S1AP Paging Messages. A configurable mapping support is provided for ARP to S1AP Paging Priority. The MME includes paging priority for PS paging if corresponding ARP to paging priority is configured and the user has an eMPS PS subscription.

The MME supports configuration of one to one mapping of eMLPP priority to paging priority. The **paging-priority** command can be configured to map eMLPP priority to paging priority. In earlier releases this mapping was limited to single paging priority value override. The MME by default sends the eMLPP priority as paging priority for CS paging, this functionality does not require a feature license. However the

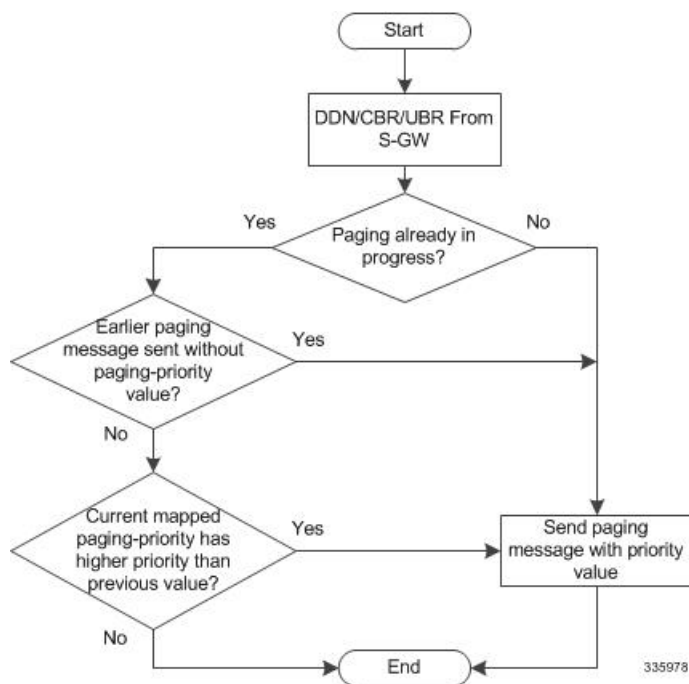
mapping and subscription override functionality for PS and CS paging requires an eMPS license. All the priority PS traffic is completely controlled by the license. Priority CS MT/MO calls are allowed do not require a license in the following scenarios:

- MT calls are allowed always because “paging-priority cs” CLI is enabled by default.
- MO calls are allowed if eMPS CS subscription is received from HSS as subscribed, this functionality is not controlled by CLI configuration.

The **csfb** command is enhanced to configure HO-restriction for csfb MO Emergency calls. When HO-restriction is enabled the MME sets the "Additional CS Fallback Indicator IE" in S1AP UE Context Setup/Modification as "restriction".

Support for ARP based heuristics paging profile selection is added by this feature. This allows differentiated paging treatment based on the ARP of the corresponding PS traffic. ARP based paging profile selection requires a Heuristics paging license. For more information refer to the feature chapter on Heuristic and Intelligent Paging.

This feature adds support for priority SRVCC Handovers. When handover request message with SRVCC HO Indication flag set is received from eNodeB, the UE is subscribed to MPS in the EPS domain and the MME detects the SRVCC HO requires priority handling, the MME provides priority indication in SRVCC PS to CS Request. The MME detection of priority handling is based on the ARP associated with the EPS bearer used for IMS signaling (bearer with QCI 5) and corresponding paging priority mapping configured for this ARP. The priority indication here corresponds to the ARP information element.



Listed below are the various scenarios describing the MME behavior on receiving S11 Downlink Data Notification or Create Bearer Request or Update Bearer Request:

#### Scenario 1: DDN is received with ARP

- The MME includes paging priority in the S1 Paging message if the mapping configured for that ARP.

- Heuristics paging enabled, the MME selects the paging profile based on ARP if paging-profile with matching ARP value is configured in paging-map.
- The paging profile with the highest precedence is selected even if both ARP and QCI are configured in the paging-map.

**Scenario 2: DDN received with only Bearer Id (No ARP)**

- The MME fetches the ARP for that bearer id and includes paging priority in the paging message if mapping is configured for that ARP
- Heuristics paging enabled, MME selects the paging profile based on ARP if paging-profile with matching ARP value is configured in paging-map.
- The paging profile with the highest precedence is selected even if both ARP and QCI are configured in the paging-map.

**Scenario 3: DDN received without the Bearer id**

- The MME fetches the lowest ARP value from all the bearers and includes mapped paging priority for that ARP in the paging message if mapping is configured for that ARP
- Heuristics paging enabled, MME selects the paging profile based on ARP if paging-profile with matching ARP value is configured in paging-map.
- The paging profile with the highest precedence is selected even if both ARP and QCI are configured in the paging-map

**Scenario 4: CBR is received**

- MME includes paging priority in the S1 Paging message if the mapping configured for that ARP
- Heuristics paging enabled, MME selects the paging profile based on ARP if paging-profile with matching ARP value is configured in paging-map.
- The paging profile with the highest precedence shall be selected even if both ARP and QCI are configured in the paging-map.

**Scenario 5: UBR is received from SGW for QoS modification**

- MME includes paging priority in the S1 Paging message if the mapping configured for that ARP
- Heuristics paging enabled, MME selects paging profile based on ARP if paging-profile with matching ARP value is configured in paging-map.
- The paging profile with the highest precedence shall be selected even if both ARP and QCI are configured in the paging-map

## Limitations

Congestion control is applied to all subscribers irrespective of eMPS subscription.

## Standards Compliance

Enhanced Multimedia Priority Service complies with the following 3GPP standards:

- 3GPP TS 29.272
- 3GPP TS 36.413
- 3GPP TS 23.401
- 3GPP TS 29.280

## Configuring Enhanced Multimedia Priority Service

The following configuration procedures are used to configure this feature:

### Configuring MPS in EPS Domain

The **mps** command under the Call Control Profile Configuration mode has been enhanced to support Multimedia Priority Service (MPS) in the EPS domain. A new keyword **eps-priority** is added to the command; this keyword is used to configure support for MPS in EPS domain.

**configure**

```
call-control-profile profile_name
  [ remove ] mps [ cs-priority | eps-priority ] { subscribed | none }
  exit
```

Notes:

- By default MPS in EPS domain is disabled.
- The **remove** keyword deletes the existing configuration.
- The keyword **eps-priority** configures support for MPS in the EPS domain.
- The keyword **subscribed** indicates the UE subscribed to priority service in the CS/EPS domain.
- The keyword **none** indicates the UE not subscribed to priority service in the CS/EPS domain.
- The keyword **mps cs-priority** is used only for Mobile originated calls.
- The operator will be able to prioritize EPS calls for a set of subscribers irrespective of them being subscribed to MPS services.
- This configuration is not configured by default.

### Configuring Paging Priority

The **paging-priority** command has been enhanced to support PS traffic. New keywords are added to configure priority value of enhanced Multi Level Precedence and Pre-emption service, configure the value of paging-priority to be sent to eNodeB and configure the value of allocation and retention priority.



```
[ remove ] paging-priority { cs { cs_value | map emlpp-priority emlpp_value
s1-paging-priority priority_value } | ps map arp arp_value s1-paging-priority
priority_value }
```

Notes:

- The keyword **cs** is used to configure the value of paging-priority to be sent to eNodeB for Circuit Switched (CS) traffic. The paging priority value can be configured or it can be used to map the received value to the paging-priority. The **cs\_value** is an integer in the range “0” up to “7”. Configuring a value of “0” disables sending of paging priority value to eNodeB.
- The keyword **ps** is used to configure the value of paging-priority to be sent to eNodeB for Packet Switched (PS) traffic. The paging priority value can be configured or it can be used to map the received value to the paging-priority.
- The keyword **map** is used to map the received value to paging-priority.
- The keyword **emlpp-priority** is used to configure the priority value of enhanced Multi Level Precedence and Pre-emption service. The **emlpp\_value** is an integer in the range “0” up to “7”.
- The keyword **s1-paging-priority** is used to configure the value of paging-priority to be sent to eNodeB. The priority value is an integer in the range “0” up to “7”. Configuring a value of “0” disables sending of paging priority value to eNodeB.
- The keyword **arp** is used to configure the value of allocation and retention priority. The value is an integer in the range “1” up to “15”.
- Mapping is not enabled by default.
- The keyword **remove** deletes the existing configuration.

## Configuring Precedence

The **precedence** command enables the operator to apply a priority for different paging-profiles based on traffic type. The priority value that can be configured for the precedence has been enhanced. The operator can define ARP priority based paging for PS traffic type in the paging-map.

```
precedence priority traffic-type { cs [ voice | sms | other ] | ps [ arp
arp_value | qci qci_value ] | signaling [ detach | idr | lcs | node-restoration
] } paging-profile paging_profile_name
no precedence priority
```

Notes:

- The range for precedence priority value is updated from 1 up to 35 , where 1 is the highest priority and 35 is the lowest priority. The numbers of paging-profiles supported are increased from 8 to 16.
- The keyword **arp** is added to the **precedence** command. It is used to define the ARP priority based paging for PS traffic type in the paging-map. The **arp\_value** is an integer from 1 up to 15.

## Configuring HO Restriction

The **csfb** command configures circuit-switched fallback options. CSFB is the mechanism to move a subscriber from LTE to a legacy technology to obtain circuit switched voice or short message. This command is updated with the keyword ho-restriction, to enable ho-restriction support for CSFB MO Emergency Calls.

```
csfb { policy { ho-restriction | not-allowed | not-preferred | sms-only
| suppress-call-reject } | sms-only }
remove csfb { policy | sms-only }
```

Notes:

- The keyword **ho-restriction** enables ho-restriction support for priority CS calls. If this keyword is enabled the MME sets the "Additional CS Fallback Indicator IE" in S1AP UE Context Setup/Modification as "restriction".
- HO-Restriction is not enabled by default.

## Sample configuration

```
config
  apn-profile apn1
    apn-type ims
  exit
  operator-policy name op1
    associate call-control-profile ccp
    apn network-identifier starent.com apn-profile apn1
  exit
  call-control-profile ccp
    csfb policy ho-restriction
    mps cs-priority subscribed
    mps eps-priority subscribed
    paging-priority cs map emlpp-priority 1 s1-paging-priority 2
    paging-priority ps map arp 5 s1-paging-priority 2
  exit
exit
```

## Verifying the Configuration

### show configuration

The following new fields are added to the show configuration command to verify the configured eMPS parameters:

- **mps eps-priority**: Displayed as either “Subscribed” or “None”.
- **paging-priority** *traffic\_type*: Displayed as either “PS” or “CS”.
- **map**: Displayed if mapping is configured.
- **emlpp-priority** *priority\_value*: Displays the configured emlpp priority value.
- **s1-paging-priority** *value*: Displays the configured s1-paging priority value.
- **arp** *arp\_value*: Displays the configured ARP value.
- **precedence** *precedence\_value*: Displays the configured precedence value.
- **traffic-type** *type*: Displays the traffic type as “CS” or “PS”.

- **paging-profile** *profile\_name*: Displays the name of the paging profile.

## Monitoring and Troubleshooting

This section provides information regarding show commands and bulk statistics for this feature.

### Show Command(s) and/or Outputs



---

**Note** Paging counter includes the S1 paging for priority and non-priority paging requests. Paging CS Priority and Paging PS Priority counters only count the priority S1 paging requests.

---

#### **show mme-service *service\_name* peer-id *id* statistics**

The following new fields are added to the show output to display the configured eMPS parameters:

- Paging CS Priority
- Paging PS priority
- UE Initiated Priority Voice Procedures
  - Attempted
  - Failures
  - Success
- NW Initiated Priority Voice Procedures
  - Attempted
  - Failures
  - Success

#### **show session subsystem facility mmemgr**

The following new parameters are added show output:

- Paging CS Priority
- Paging PS priority

#### **show lte-policy paging-map name**

The following new parameters are added to the show output:

- Precedence
- Packet-Switched(PS)

- ARP
- Paging is performed as per paging-profile *name*

## show mme-service statistics

The following new parameters are added to the show output:

- Paging Initiation for PS ARP-N Events
- Attempted
- Success
- Failures
- Success at Last n eNB
- Success at Last TAI
- Success at TAI List

## show call-control-profile full all

The following new fields are added to the show output to display the configured eMPS parameters:

- MPS EPS priority
- Paging priority to be sent to eNodeB for CS
- Paging priority mapping for CS
- Paging priority mapping for EPS
- Handover Restriction

## Enhanced Multimedia Priority Support Bulk Statistics

The following statistics are included in the MME Schema in support of this feature:

- slap-transdata-pagingpriocs
- slap-transdata-pagingpriops
- csfb-ue-prio-voice-total
- csfb-ue-prio-voice-success
- csfb-ue-prio-voice-failures
- csfb-nw-prio-voice-total
- csfb-nw-prio-voice-success
- csfb-nw-prio-voice-failures
- ps-arp-1-paging-init-events-attempted
- ps-arp-1-paging-init-events-success

- ps-arp-1-paging-init-events-failures
- ps-arp-1-paging-last-enb-success
- ps-arp-1-paging-last-tai-success
- ps-arp-1-paging-tai-list-success
- ps-arp-2-paging-init-events-attempted
- ps-arp-2-paging-init-events-success
- ps-arp-2-paging-init-events-failures
- ps-arp-2-paging-last-enb-success
- ps-arp-2-paging-last-tai-success
- ps-arp-2-paging-tai-list-success
- ps-arp-3-paging-init-events-attempted
- ps-arp-3-paging-init-events-success
- ps-arp-3-paging-init-events-failures
- ps-arp-3-paging-last-enb-success
- ps-arp-3-paging-last-tai-success
- ps-arp-3-paging-tai-list-success
- ps-arp-4-paging-init-events-attempted
- ps-arp-4-paging-init-events-success
- ps-arp-4-paging-init-events-failures
- ps-arp-4-paging-last-enb-success
- ps-arp-4-paging-last-tai-success
- ps-arp-4-paging-tai-list-success
- ps-arp-5-paging-init-events-attempted
- ps-arp-5-paging-init-events-success
- ps-arp-5-paging-init-events-failures
- ps-arp-5-paging-last-enb-success
- ps-arp-5-paging-last-tai-success
- ps-arp-5-paging-tai-list-success
- ps-arp-6-paging-init-events-attempted
- ps-arp-6-paging-init-events-success
- ps-arp-6-paging-init-events-failures
- ps-arp-6-paging-last-enb-success

- ps-arp-6-paging-last-tai-success
- ps-arp-6-paging-tai-list-success
- ps-arp-7-paging-init-events-attempted
- ps-arp-7-paging-init-events-success
- ps-arp-7-paging-init-events-failures
- ps-arp-7-paging-last-enb-success
- ps-arp-7-paging-last-tai-success
- ps-arp-7-paging-tai-list-success
- ps-arp-8-paging-init-events-attempted
- ps-arp-8-paging-init-events-success
- ps-arp-8-paging-init-events-failures
- ps-arp-8-paging-last-enb-success
- ps-arp-8-paging-last-tai-success
- ps-arp-8-paging-tai-list-success
- ps-arp-9-paging-init-events-attempted
- ps-arp-9-paging-init-events-success
- ps-arp-9-paging-init-events-failures
- ps-arp-9-paging-last-enb-success
- ps-arp-9-paging-last-tai-success
- ps-arp-9-paging-tai-list-success
- ps-arp-10-paging-init-events-attempted
- ps-arp-10-paging-init-events-success
- ps-arp-10-paging-init-events-failures
- ps-arp-10-paging-last-enb-success
- ps-arp-10-paging-last-tai-success
- ps-arp-10-paging-tai-list-success
- ps-arp-11-paging-init-events-attempted
- ps-arp-11-paging-init-events-success
- ps-arp-11-paging-init-events-failures
- ps-arp-11-paging-last-enb-success
- ps-arp-11-paging-last-tai-success
- ps-arp-11-paging-tai-list-success

- ps-arp-12-paging-init-events-attempted
- ps-arp-12-paging-init-events-success
- ps-arp-12-paging-init-events-failures
- ps-arp-12-paging-last-enb-success
- ps-arp-12-paging-last-tai-success
- ps-arp-12-paging-tai-list-success
- ps-arp-13-paging-init-events-attempted
- ps-arp-13-paging-init-events-success
- ps-arp-13-paging-init-events-failures
- ps-arp-13-paging-last-enb-success
- ps-arp-13-paging-last-tai-success
- ps-arp-13-paging-tai-list-success
- ps-arp-14-paging-init-events-attempted
- ps-arp-14-paging-init-events-success
- ps-arp-14-paging-init-events-failures
- ps-arp-14-paging-last-enb-success
- ps-arp-14-paging-last-tai-success
- ps-arp-14-paging-tai-list-success
- ps-arp-15-paging-init-events-attempted
- ps-arp-15-paging-init-events-success
- ps-arp-15-paging-init-events-failures
- ps-arp-15-paging-last-enb-success
- ps-arp-15-paging-last-tai-success
- ps-arp-15-paging-tai-list-success

For descriptions of these variables, see "MME Schema Statistics" in the *Statistics and Counters Reference*.

## Troubleshooting

If paging priority information is not being sent to the eNodeB during mobile terminating PS traffic then, verify the following:

- Ensure the licensing is configured for eMPS.
- Verify if ps-priority is received from the HSS in ULA message or “mps ps-priority subscribed” is configured under the call control profile.
- Verify if ARP to paging-priority mapping is configured.

Execute the show command "show call-control-profile full all" to verify the configuration parameters listed above.

If ARP IE is not being sent in Sv PS to CS Request message, verify the following:

- Ensure eMPS PS subscription is configured.
- The apn-type should be ims, it is configured in the apn-profile configuration for IMS PDN.
- IMS signaling bearer uses QCI 5
- ARP for IMS signaling bearer has corresponding paging priority mapping configured.

If Additional CSFB indicator is not included for MO CS emergency call/ traffic, verify the following:

- Ensure the CLI configuration for HO restriction is enabled.





## CHAPTER 38

# Failure Counters for CSFB MT Counters

- [Feature Summary and Revision History, on page 431](#)
- [Feature Description, on page 432](#)
- [Monitoring and Troubleshooting, on page 432](#)

## Feature Summary and Revision History

### Summary Data

Applicable Product(s) or Functional Area	MME
Applicable Platform(s)	<ul style="list-style-type: none"><li>• ASR 5500</li><li>• VPC-DI</li><li>• VPC-SI</li></ul>
Feature Default	Enabled
Related Changes in This Release	Not applicable
Related Documentation	<ul style="list-style-type: none"><li>• <i>MME Administration Guide</i></li><li>• <i>Statistics and Counters Reference</i></li></ul>

### Revision History

Revision Details	Release
First Introduced	21.23

## Feature Description

The Failure Counters for CSFB MT Counters provides a new set of bulkstat counters and modifications to the current Mobile Terminating (MT) Voice-based Circuit Switch Fallback (CSFB) error counters.

The current "csfb-nw-voice-failures" and "csfb-nw-voice-success" counters only capture general failures during the MT CSFB procedures, so it has been requested to extend the MT Voice CSFB counters to capture more specific error scenarios.

This allows the operator to have a more detailed picture of where the errors are occurring in the MT Voice CSFB based procedures.

## Monitoring and Troubleshooting

This section provides information on the show commands and Bulk statistics counters.

### Show Command and Output

#### **show mme-service statistics csfb-mt-mo-voice-counters**

The output of MT Voice CSFB Statistics displays the following new fields:

- MT Voice CSFB Statistics:
  - Attempts/SGSap Paging Requests
  - S1 eNB Paging Timeouts
  - Extended Service Request Rejects
  - SGSap Service Abort Requests
  - S1 UE Init Ctxt Req Setup Fails
  - CS Service Notifications Fails
  - S1 UE Context Modification Fails
  - Miscellaneous Non CSFB UE Ctxt Rel
  - Miscellaneous failures
  - No PS HO Successes

#### **show mme-service statistics mme-service <mme\_service\_name> csfb-mt-mo-voice-counters**

The output of MT Voice CSFB Statistics displays the following new fields:

- MT Voice CSFB Statistics:
  - Attempts/SGSap Paging Requests
  - S1 eNB Paging Timeouts

- Extended Service Request Rejects
- SGSap Service Abort Requests
- S1 UE Init Ctxt Req Setup Fails
- CS Service Notifications Fails
- S1 UE Context Modification Fails
- Miscellaneous Non CSFB UE Ctxt Rel
- Miscellaneous failures
- No PS HO Successes

**show mme-service statistics csfb-mt-mo-voice-counters verbose**

The output of MT Voice CSFB Statistics displays the following new fields:

- MT Voice CSFB Statistics:
  - Attempts/SGSap Paging Requests
  - S1 eNB Paging Timeouts
  - Extended Service Request Rejects
  - SGSap Service Abort Requests
  - S1 UE Init Ctxt Req Setup Fails
  - CS Service Notifications Fails
  - S1 UE Context Modification Fails
  - Miscellaneous Non CSFB UE Ctxt Rel
  - Miscellaneous failures
  - No PS HO Successes
- CSFB Statistics:
  - UE Initiated Voice Procedures:
    - Attempted
    - Success
    - Failures
  - UE Initiated Priority Voice Procedures:
    - Attempted
    - Success
    - Failures

- NW Initiated Voice Procedures:
  - Attempted
  - Success
  - Failures
- NW Initiated Priority Voice Procedures:
  - Attempted
  - Success
  - Failures
- UE Initiated SMS Procedures:
  - Attempted
  - Success
  - Failures
- NW Initiated SMS Procedures:
  - Attempted
  - Success
  - Failures
- UE Initiated IMSI Detaches:
  - Attempted
  - Success
  - Failures
- NW Initiated IMSI Detaches:
  - Attempted
  - Success
  - Failures
- CS Service Notification

## Bulk Statistics

The following set of new MT Voice CSFB bulkstat counters are added in current bulkstat statistic recording mechanism:

Table 22: MT Voice CSFB bulkstat counters

Bulk Statistics Counter	Description
csfb-mt-voice-sgs-paging-request	This counter records all non-retransmitted SGS Paging Requests rx'd from MSC (i.e. The starting point of all the MT CSFB Voice procedures both Idle and Active modes)
csfb-mt-voice-failure-paging-timeout	This counter records max re-transmission timeout failure when eNB/UE do not respond to MME paging request (Idle mode error)
csfb-mt-voice-failure-miscellaneous	This counter records miscellaneous internal errors such as software errors, internal non-delivery errors, internal aborts, message validation errors, collision with start of MO Voice CSFB procedure etc (i.e. Errors not directly linked to the 3GPP spec procedures)
csfb-mt-voice-failure-ext-srv-req-reject	This counter records the failure when the cause code in the Extended Service Request is NOT CSFB Accept (Idle and Active modes)
csfb-mt-voice-failure-init-ctxt-setup	This counter records any Initial Context Setup Response failures encountered during the Idle mode scenario
csfb-mt-voice-failure-cs-notification	This counter records non-delivery/max-retransmission timeout of the CS NOTIFICATION to the UE (Active mode scenario)
csfb-mt-voice-failure-ue-ctxt-mod	This counter records any UE Context Modification failures (either timeout or failure response - Active mode)
csfb-mt-voice-failure-sgs-service-abort-req	This counter records any procedure aborts based on the MT Voice Cancelled flag which is set when rx'ing the SGS service Abort Request from the MSC/VLR
csfb-mt-voice-failure-ue-ctxt-rel-misc	This counter records any other S1 UE Context Release error or cause code that doesn't equal "cs-fallback-triggered = 23" but not the other cause codes stated above (Active mode no HO)
csfb-mt-voice-success-ue-ctxt-rel	This counter records the final success when a S1 UE Context Release response has cause-code "cs-fallback-triggered=23" (Active mode no HO). Successful end-point of the MT CSFB Voice with no HO





## CHAPTER 39

# Enhanced Whitelisting in MME

- [Feature Summary and Revision History, on page 437](#)
- [Feature Description, on page 438](#)
- [How it Works, on page 438](#)
- [Configuring IMSI Group, on page 439](#)
- [Configuring MSISDN Group, on page 440](#)
- [Configuring Operator Policy based on IMSI Group and MSISDN Group, on page 442](#)
- [Associating MSISDN Group in Combination with IMEI-TAC with Operator Policy, on page 443](#)

## Feature Summary and Revision History

### Summary Data

Applicable Product(s) or Functional Area	MME
Applicable Platform(s)	<ul style="list-style-type: none"><li>• ASR 5500</li><li>• VPC-DI</li><li>• VPC-SI</li></ul>
Default Setting	Disabled - Configuration Required
Related Changes in This Release	Not Applicable
Related Documentation	<ul style="list-style-type: none"><li>• <i>Command Line Interface Reference</i></li><li>• <i>MME Administration Guide</i></li><li>• <i>Statistics and Counters Reference</i></li></ul>

### Revision History

Revision Details	Release
First introduced.	21.16

## Feature Description

Enhancement to the whitelisting feature enables the MME to use IMSI or MSISDN subscriber identity to restrict network access to group of subscribers. This feature caters to operator requirements of more than 10000 subscriber identities (IMSI/MSISDN) configuration.

Subscriber whitelisting is done in one of the following ways:

- Whitelist based on IMSI in TAC level.
- Whitelist based on MSISDN in TAC level.

This feature supports both IMSI group and MSISDN group configurations which can contain discrete and range of IMSI and MSISDN.

## How it Works

This section describes how this feature works.

### IMSI Group

IMSI-based configuration supports IMSI groups. An IMSI group can contain upto 500 elements of either individual IMSI or range of IMSI.

Up to 50 IMSI groups can be configured per MME and once an IMSI group is created, each group can be configured with up to 500 unique IMSI values and/or up to 20 IMSI ranges, which can overlap.

The operator policy to whitelist or blacklist IMSI is configured using MME. The restriction considers the handover (TAU) process as well as the attach process.

The IMSI group or IMSI+IMEI-TAC groups are created and associated with operator policies in the CLI.

### MSISDN Group

Whitelisting in MME is enhanced to support specific MSISDN and ranges of MSISDN. The operator policy to whitelist or blacklist MSISDN is configured using MME. The restriction considers the handover (TAU) process as well as the attach process.

MSISDN-based configuration supports MSISDN groups. An MSISDN group can contain upto 500 elements of either individual MSISDN or range of MSISDN. Up to 50 MSISDN groups can be configured per MME and once an MSISDN group is created, each group can be configured with up to 500 unique MSISDN values and/or up to 20 MSISDN ranges, which can overlap.

The MSISDN group or MSISDN+IMEI-TAC groups are created and associated with operator policies in the CLI.

The following table lists the whitelist enhancement for MME.

**Table 23: Whitelist Enhancement**

White List	TAC
------------	-----



Specific IMSI	Supported
Range of IMSI	Supported
Group of IMSI (discrete + range)	Supported from Release 21.16 onwards
Group of MSISDN (discrete + range)	Supported from Release 21.16 onwards

## Configuring IMSI Group

Use the following configuration to create the IMSI group.

```
configure
  lte-policy
    imsi-group group_name
  end
```

### NOTES:

- 50 IMSI groups and a combination of discrete IMSI and range of IMSIs with a maximum of 500 IMSI values and 20 lines per group are supported.

## Configuring Discrete IMSI Numbers

Use the following configuration to configure discrete IMSI numbers.

```
configure
  lte-policy
    imsi-group group_name
      imsi mcc mcc_value mnc mnc_value msin msin_value
    exit
```

### NOTES:

- **mcc** *mcc\_value*: Specifies the mobile country code (MCC) portion of the IMSI identifier.
- **mnc** *mnc\_value*: Specifies the mobile network code (MNC) portion of the IMSI identifier.
- **msin** *msin\_value*: Specifies the Mobile Subscriber Identification Number of the IMSI identifier.
- If previously configured, use the **no imsi mcc** *mcc\_value* **mnc** *mnc\_value* **msin** *msin\_value* CLI command to delete the discrete IMSI values.

## Configuring IMSI Range

Use the following configuration to configure IMSI range.

```
configure
  lte-policy
    imsi-group group_name
      range mcc mcc_value mnc mnc_value msin first start_range last end_range
    exit
```

### NOTES:

- **mcc** *mcc\_value*: Specifies the mobile country code (MCC) portion of the IMSI identifier.
- **mnc** *mnc\_value*: Specifies the mobile network code (MNC) portion of the IMSI identifier.
- **msin first** *start\_range* **last** *end\_range*: Specifies the range of Mobile Subscriber Identification Number of the IMSI identifier.
- If previously configured, use the **no range** **mcc** *mcc\_value* **mnc** *mnc\_value* **msin first** *start\_range* **last** *end\_range* CLI command to delete the IMSI range.

## Associating IMSI Group and IMEI-TAC Group with Operator Policy

Use the following configuration to associate IMSI-group and IMEI-TAC group with operator policy.

```
configure
  lte-policy
    subscriber-map subscriber_map_name
      precedence number match-criteria imei-tac group imeitac_group_name
  imsi-group imsi_group_name operator-policy-name op_name
  end
```

### NOTES:

- *number*: Specifies the order of precedence for the subscriber map. 1 (the lowest number) takes the highest precedence.
- **match-criteria** : Specifies that the keyword following this keyword is the criteria to be used to match a UE.
- **imei-tac group** *imeitac\_group\_name*: Identifies a previously configured IMEI-TAC group (with `imei-tac-group` command LTE-Policy configuration mode) to associate with this precedence definition.
- **operator-policy-name** *op\_name*: Sets the operator policy with which the matching criteria is associated.

## Verifying IMSI Group Configuration

Use the following show commands to display details related to IMSI group.

- **show lte-policy imsi-group name** *group\_name*
- **show lte-policy imsi-group summary**

## Configuring MSISDN Group

Use the following configuration to create a new MSISDN group.

```
configure
  msisdn-group group_name
  end
```

### NOTE:

- MSISDN is a subscriber number which provides the functionality with TAC and it decides whether to allow or block the subscribers based on the subscriber number. The MSISDN group name is used to create a new MSISDN group and it can have a maximum of 50 groups.

## Configuring Discrete MSISDN Numbers

Use the following configuration to configure discrete MSISDN numbers.

```
configure
  msisdn-group group_name
    msisdn cc cc_value number value
  exit
```

NOTES:

- **msisdn** : Specifies the discrete list of MSISDN numbers (Combination of discrete and range line is 20 per group).

## Configuring MSISDN Range

Use the following configuration to configure MSISDN range.

```
configure
  msisdn-group group_name
    range cc cc_value number first start_range last end_range
  exit
```

NOTES:

- **number first start\_range last end\_range**: Specifies the MSISDN range.

## Associating MSISDN Group and IMEI-TAC Group with Operator Policy

Use the following configuration to associate MSISDN group and IMEI-TAC group with operator policy.

```
configure
  lte-policy
    subscriber-map subscriber_map_name
      precedence number match-criteria msisdn-group name msisdn_group_name
    operator-policy-name op_name
  end
```

NOTES:

- **number**: Specifies the order of precedence for the subscriber map. 1 (the lowest number) takes the highest precedence.
- **match-criteria** : Specifies that the keyword following this keyword is the criteria to be used to match a UE.
- **msisdn-group name msisdn\_group\_name**: Identifies a previously configured IMEI-TAC group (with imei-tac-group command LTE-Policy configuration mode) to associate with this precedence definition.
- **operator-policy-name op\_name**: Sets the operator policy with which the matching criteria is associated.

## Verifying MSISDN Group Configuration

Use the following show commands to display details related to MSISDN group.

- `show config msisdn-group name group_name`
- `show config msisdn-group summary`

## Configuring Operator Policy based on IMSI Group and MSISDN Group

The match-criteria in precedence command is enhanced to take parameter that is "matched-to" the configure selection based on IMSI group and MSISDN group. It supports the selection of operator policy based on a combination of IMEI-TAC group and IMSI group (IMEI-TAC + IMSI group) or of IMEI-TAC group and MSISDN group (IMEI-TAC + MSISDN group). The configuration involves:

- IMSI-group
- MSISDN group
- IMEI-TAC + IMSI-group
- IMEI-TAC + MSISDN group

## Associating IMSI Group with Operator Policy

Use the following configuration to associate IMSI group with operator policy.

```
configure
  lte-policy
    subscriber-map map_name
      precedence precedence_number match-criteria [ imsi-group group_name ]
    [ operator-policy-name policy_name ]
  end
```

For information about these commands and keywords, refer to the *Command Line Interface Reference*.

## Associating IMSI Group in Combination with IMEI-TAC with Operator Policy

Use the following configuration to associate IMSI group in combination with IMEI-TAC with operator policy.

```
configure
  lte-policy
    subscriber-map map_name
      precedence precedence_number match-criteria imei-tac group group_name
    [ imsi-group group_name ] [ operator-policy-name policy_name ]
  end
```

For information about these commands and keywords, refer to the *Command Line Interface Reference*.

## Associating MSISDN Group with Operator Policy

Use the following configuration to associate MSISDN group with operator policy.

```
configure
  lte-policy
    subscriber-map map_name
      precedence precedence_number match-criteria [ msisdn-group group_name
] [ operator-policy-name policy_name ]
    end
```

For information about these commands and keywords, refer to the *Command Line Interface Reference*.

## Associating MSISDN Group in Combination with IMEI-TAC with Operator Policy

Use the following configuration to associate IMSI group in combination with IMEI-TAC with operator policy.

```
configure
  lte-policy
    subscriber-map map_name
      precedence precedence_number match-criteria imei-tac group group_name
[ msisdn-group group_name ] [ operator-policy-name policy_name ]
    end
```

For information about these commands and keywords, refer to the *Command Line Interface Reference*.





# CHAPTER 40

## Enhanced Event Logging

This chapter describes the MME's Event Logging functionality which occurs at the subscriber level, from the MME to an external server.

- [Feature Summary and Revision History, on page 445](#)
- [Feature Description, on page 446](#)
- [How Event Logging Works, on page 447](#)
- [Configuring Event Logging, on page 457](#)
- [Monitoring and Troubleshooting Event Logging, on page 459](#)

## Feature Summary and Revision History

### Summary Data

Applicable Product(s) or Functional Area	MME
Applicable Platform(s)	<ul style="list-style-type: none"><li>• ASR 5500</li><li>• VPC-DI</li><li>• VPC-SI</li></ul>
Feature Default	Enabled- Always-on
Related Changes in This Release	Not applicable
Related Documentation	<ul style="list-style-type: none"><li>• <i>MME Administration Guide</i></li><li>• <i>Statistics and Counters Reference</i></li></ul>

### Revision History

Revision Details	Release
Customization of Attributes and Events in EDR Profile has been added.	21.24

Revision Details	Release
Customization of Attributes and Events in EDR Profile functionality has been introduced.	21.23.1
First Introduced	21.1

## Feature Description

The MME handles numerous subscriber calls from different eNodeBs in the network. In order to troubleshoot any issues for a particular subscriber, the events that caused the issue is recorded. The events could be individual procedures listed below:

- Attach Procedures
- Detach Procedures
- TAU Procedures
- Handover Procedures
- All types of Service Requests
- Paging based on different triggers
- PDN Connectivity Requests
- All types of PDN detach and network initiated PDN detach procedures
- Dedicated Bearer Activation Requests
- Dedicated Bearer Deactivation Requests
- All types of Bearer modification procedures
- CSFB procedures
- SRVCC procedures
- eCSFB procedures
- eSRVCC procedures

The Event Data Record is a proprietary feature of StarOS. In this feature, MME provides a debugging framework to capture procedure level information for each subscriber. On the completion of a procedure successfully or unsuccessfully, the MME generates a procedure summary. This summary provides details of the events and issues, which is nearly comparable to real-time debugging.




---

**Important** This feature is license controlled. Please consult your Cisco Account Representative for information about the specific license.

---

MME supports the following functionality in this feature:

- Event Logging for 4G subscribers.



- The Event Records are stored in CSV file format.
- A framework to collect information and eventually provide log information. The framework is extensible to hold more procedures and information fields.
- The order of fields are not changeable.
- The event logs are generated on completion of the procedure successfully or unsuccessfully. The procedure could be unsuccessful because of local reasons such as – HSS/Peer element triggered reasons, Timeouts for responses, arrival of procedures and so on.
- Each record has a smgr-no and sequence-no field. If there is no guaranteed delivery of events, the sequence number will help in identifying the lost events.
- Event reporting can be enabled or disabled through the CLI command reporting-action mme-event-record under the Call Control Configuration mode. For detailed information on feature configuration see the *Configuring Event Logging* section in this feature chapter.

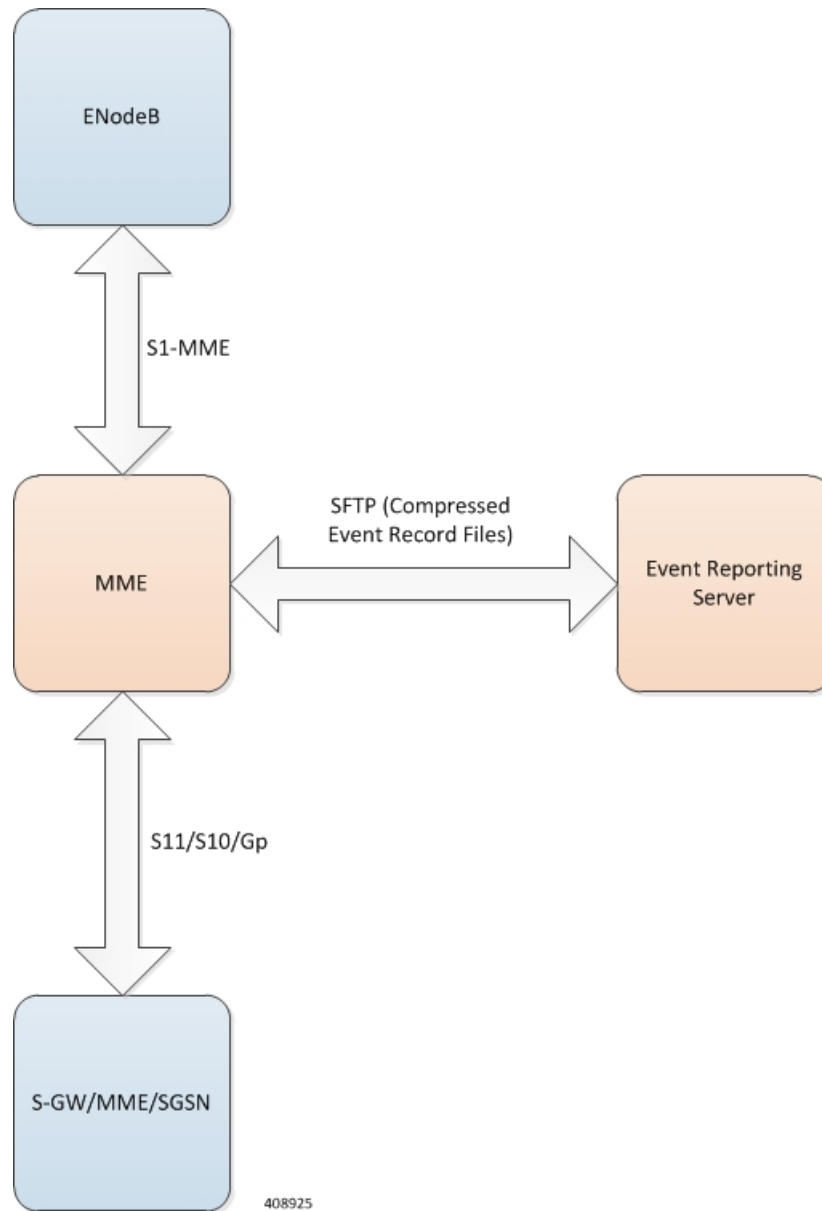
## How Event Logging Works

Event Logging in the MME is implemented by providing subscriber event information to an external server. Data analyzers use the event information in the record, which is stored in the external server, to debug and troubleshoot subscriber issues.

## Architecture

This section describes the framework designed in the MME to support Event Logging.

Figure 38: Event Logging - Interfaces



The interface between the MME and the external server is based on SFTP. Each record (CSV record) is generated as comma-separated ASCII values. The MME sends one ASCII formatted CSV record per line. The CSV records are stored in a file. If configured, these files can be compressed before sending it to the external server.

The transfer of CSV record files between the MME and the external server is based on either PULL or PUSH model. In case of the PULL model, the external server is responsible for initiating the SFTP with MME, and in the PUSH model, MME is responsible for sending the CSV record file to external server based on the configured PUSH timer interval.

The event report includes the information in CSV format as shown in the table given below.

Table 24: Information Fields in the EDR

SI.No	Description	Format information	Range
1	smgr_number	Number	1 up to 1023
2	sequence_no	Number	1 up to 4294967295
3	Time	YYYY-MMM-DD+HH:MM:SS	
4	event-identity	enum: Attach; Detach; TAU; Handover ; Service Request; Paging; PDN Connect/Disconnect; Bearer Activation/Deactivation; CSFB and SRVCC procedures.	
5	Result	enum: 0-Success; 1-failure; 2-Aborted;3-eps_only	
6	mme-address	Dotted-string	
7	Msisdn	String of decimal digits	
8	imsi	String of decimal digits	1 - 15 digits
9	Imei (sv)	String of decimal digits	14 or 16 digits
10	old-guti	mcc: mnc: mmegroup: mmecode: mtmsi	
11	old-guti-type	Enumeration [0 - native, 1 - mapped]	
12	guti	mcc: mnc: mmegroup: mmecode: mtmsi	0 up to 65535
13	Ecgi	mcc: mnc: cellid	
14	current-tac	Tac	
15	enodeB-id	20 bit value	1 - 1048574
16	disc-reason	Number	0 up to 65535
17	ebi	Number	5-15
18	linked-ebi	Number	
19	apn	String	
20	pdn-type	Number	1-4
21	ipv4-address	Dotted String	
22	ipv6-address	Dotted String	
23	pti	Number	1-255
24	qci	Number	1-9,65,66, 69,70,128-254

Sl.No	Description	Format information	Range
25	arp	Number	1-255
26	qos-change	Enum [0-No, 1-Yes]	0/1
27	lai	mcc-mnc-lac	

If a particular information is not relevant for the procedure being logged or if particular information isn't available, the corresponding field of that event record will be left blank. For example, if the IMEI is unavailable after the completion of an Attach procedure, the corresponding field of the EDR record becomes blank.



**Important** All enumerations will be listed by Cisco for every software release. The external server is designed to be aware of the same listing and to interpret the number accordingly. The event records contain 0-based index value of such enumerations to save space and processing overhead.

The Event IDs that are tracked as part of the EDR logging is shown in the below table:

Events	ENUM Value
<b>Attach Procedures</b>	
MME_EDR_EVENT_ID_EPS_ATTACH	1
MME_EDR_EVENT_ID_EMERGENCY_ATTACH	2
MME_EDR_EVENT_ID_COMBINED_ATTACH	3
MME_EDR_EVENT_ID_EPS_HO_ATTACH	4
MME_EDR_EVENT_ID_ATTACH_TYPE_MAX	
<b>Detach Procedures</b>	
MME_EDR_EVENT_ID_UE_INITIATED_DETACH	51
MME_EDR_EVENT_ID_NW_INITIATED_DETACH	52
MME_EDR_EVENT_ID_HSS_INITIATED_DETACH	53
MME_EDR_EVENT_ID_CSFB_UE_INIT_IMSI_DETACH	54
MME_EDR_EVENT_ID_CSFB_NW_INIT_IMSI_DETACH	55
MME_EDR_EVENT_ID_DETACH_TYPE_MAX	
<b>TAU Procedures</b>	
MME_EDR_EVENT_ID_TAU_SGW_RELOC	101
MME_EDR_EVENT_ID_TAU_NO_SGW_RELOC	102
MME_EDR_EVENT_ID_TAU_COMBINED_SGW_RELOC	103

<b>Events</b>	<b>ENUM Value</b>
MME_EDR_EVENT_ID_TAU_COMBINED_NO_SGW_RELOC	104
MME_EDR_EVENT_ID_TAU_PERIODIC	105
MME_EDR_EVENT_ID_TAU_ATTACH_SGW_RELOC	106
MME_EDR_EVENT_ID_TAU_ATTACH_NO_SGW_RELOC	107
MME_EDR_EVENT_ID_TAU_ATTACH_COMBINED_SGW_RELOC	108
MME_EDR_EVENT_ID_TAU_ATTACH_COMBINED_NO_SGW_RELOC	109
MME_EDR_EVENT_ID_TAU_TYPE_MAX	
<b>Handover Procedures</b>	
MME_EDR_EVENT_ID_S1_HO_SGW_RELOC	151
MME_EDR_EVENT_ID_S1_HO_NO_SGW_RELOC	152
MME_EDR_EVENT_ID_X2_HO_SGW_RELOC	153
MME_EDR_EVENT_ID_X2_HO_NO_SGW_RELOC	154
MME_EDR_EVENT_ID_INBOUND_S10_HO_SGW_RELOC	155
MME_EDR_EVENT_ID_INBOUND_S10_HO_NO_SGW_RELOC	156
MME_EDR_EVENT_ID_INBOUND_S3_HO_SGW_RELOC	157
MME_EDR_EVENT_ID_INBOUND_S3_HO_NO_SGW_RELOC	158
MME_EDR_EVENT_ID_INBOUND_GNGP_HO	159
MME_EDR_EVENT_ID_OUTBOUND_S10_HO	160
MME_EDR_EVENT_ID_OUTBOUND_S3_HO	161
MME_EDR_EVENT_ID_OUTBOUND_GNGP_HO	162
MME_EDR_EVENT_ID_HO_TYPE_MAX	
<b>Service Request Procedures</b>	
MME_EDR_EVENT_ID_SERV_REQ_UE_INITIATED	201
MME_EDR_EVENT_ID_SERV_REQ_NW_INIT_PROC	202
MME_EDR_EVENT_ID_SERV_REQ_EXTENDED	203
MME_EDR_EVENT_ID_SERV_REQ_TYPE_MAX	
<b>Paging Procedures</b>	
MME_EDR_EVENT_ID_PAGING_DDN_TRIGGER	251

Events	ENUM Value
MME_EDR_EVENT_ID_PAGING_DETACH_TRIGGER	252
MME_EDR_EVENT_ID_PAGING_BRR_TRIGGER	253
MME_EDR_EVENT_ID_PAGING_IDR_QUERY_TRIGGER	254
MME_EDR_EVENT_ID_PAGING_PCSCF_RESTORATION	255
MME_EDR_EVENT_ID_PAGING_UE_OFFLOAD_TRIGGER	256
MME_EDR_EVENT_ID_PAGING_SGS_TRIGGER	257
MME_EDR_EVENT_ID_PAGING_GMLC_TRIGGER	258
MME_EDR_EVENT_ID_PAGING_PGW_NODE_RESTORATION	259
MME_EDR_EVENT_ID_PAGING_S102_TRIGGER	260
MME_EDR_EVENT_ID_PAGING_IPNE_QUERY_TRIGGER	261
MME_EDR_EVENT_ID_PAGING_TYPE_MAX	
<b>PDN Connectivity Requests</b>	
MME_EDR_EVENT_ID_PDN_CONN_REQ	301
MME_EDR_EVENT_ID_PDN_EMERGENCY_CONN_REQ	302
MME_EDR_EVENT_ID_PDN_CONN_TYPE_MAX	
<b>UE and Network Initiated PDN Detach</b>	
MME_EDR_EVENT_ID_UE_PDN_DISCONN_REQ	351
MME_EDR_EVENT_ID_MME_PDN_DISCONN_REQ	352
MME_EDR_EVENT_ID_HSS_PDN_DISCONN_REQ	353
MME_EDR_EVENT_ID_NW_PDN_DISCONN_REQ	354
MME_EDR_EVENT_ID_PDN_DISCONN_TYPE_MAX	
<b>Dedicated Bearer Activation Requests</b>	
MME_EDR_EVENT_ID_DED_BEARER_ACT_REQ	401
MME_EDR_EVENT_ID_DED_BEARER_ACT_MAX	
<b>Dedicated Bearer Deactivation Requests</b>	
MME_EDR_EVENT_ID_UE_DED_BEARER_DEACT_REQ	451
MME_EDR_EVENT_ID_MME_DED_BEARER_DEACT_REQ	452
MME_EDR_EVENT_ID_PGW_DED_BEARER_DEACT_REQ	453

Events	ENUM Value
MME_EDR_EVENT_ID_DED_BEARER_DEACT_MAX	
<b>Bearer Modification Requests</b>	
MME_EDR_EVENT_ID_NW_BEARER_MODIF	501
MME_EDR_EVENT_ID_HSS_BEARER_MODIF	502
MME_EDR_EVENT_ID_BEARER_MODIF_TYPE_MAX	
<b>CSFB Prodecures</b>	
MME_EDR_EVENT_ID_CSFB_MO_CALL	551
MME_EDR_EVENT_ID_CSFB_MT_CALL	552
MME_EDR_EVENT_ID_CSFB_MO_PRIORITY_CALL	553
MME_EDR_EVENT_ID_CSFB_MT_PRIORITY_CALL	554
MME_EDR_EVENT_ID_CSFB_MO_EMERGENCY_CALL	555
MME_EDR_EVENT_ID_CSFB_MO_SMS	556
MME_EDR_EVENT_ID_CSFB_MT_SMS	557
MME_EDR_EVENT_ID_ECSFB_MO_CALL	561
MME_EDR_EVENT_ID_ECSFB_MT_CALL	562
MME_EDR_EVENT_ID_ECSFB_EMERGENCY	563
<b>SRVCC Procedures</b>	
MME_EDR_EVENT_ID_SRVCC_SV_CSPS	601
MME_EDR_EVENT_ID_SRVCC_SV_CS	602
MME_EDR_EVENT_ID_SRVCC_SV_NO_DTM	603
MME_EDR_EVENT_ID_SRVCC_1XRTT	604
MME_EDR_EVENT_ID_SRVCC_MAX	

The status of each event is as shown in the table given below:

**Table 25: Event Status**

SI No.	Format Information	ENUM Value
1	MME_EDR_EVENT_RESULT_SUCCESS	0
2	MME_EDR_EVENT_RESULT_FAILURE	1
3	MME_EDR_EVENT_RESULT_ABORT	2

SI No.	Format Information	ENUM Value
4	MME_EDR_EVENT_RESULT_EPS_ONLY	3

## Support to Add Two Additional Attributes in EDR

In the existing Event Data Record (EDR) fields, there are a total of 27 fields and currently, 2 more fields are added to the event-data-record and they are mme-ue-slap-id and procedure-start-time.

The event report includes the information in CSV format as shown in the table given below:

**Table 26: Information Fields in the EDR**

SI.No	Description	Format Information	Range
28	mme-ue-slap-id	Number	0 to 4294967295
29	procedure-start-time	YYYY-MMDD+HHMMSS	

## Customization of Attributes and Events in EDR Profile

### Feature Description

The Event Data Record (EDR) captures and provides information of each subscriber irrespective of successful or unsuccessful completion of the procedure. The output summary provides the complete details of the events and issues.

There are totally 29 attributes available in the existing EDR fields, and currently there is no option to either customize or choose the number of attributes and EDR events based on the requirement. In this feature, a new EDR-Profile is introduced to enable or disable the events and attributes. Based on the profile configuration, the generated EDR has the events configured and includes the attributes that are enabled and skips the disabled attributes.

This customization of the attributes does not alter the order sequence of the attributes that is already being followed to write into the EDR. In case, if any of the attributes are not configured or not valid/NULL during the particular procedure execution, then it can be included by using just a comma. Maximum of 32 EDR profiles can be configured and only 1 of the EDR profile could be associated per call control profile.

Previously EDR gets generated with event-id as 0 for those procedures for which EDR-Event is not mapped. Currently, EDR does not get generated for those procedures for which EDR-Event is not mapped.

In any condition, if the IMSI is not available since call-control-profile is chosen based on the IMSI, EDR customization is not applicable for such scenarios. If the EDR handle is available, EDR is generated for a list of events/attributes else EDR will not be generated.



**Note** The top four attributes (*smgr\_instance*, *sequence\_no*, *edr-time*, *event-Id*) cannot be customized and all the remaining attributes can be enabled and disabled based on the requirement,



## Configuring EDR Profile for Set of Attributes and Events

Use the following configuration commands to configure EDR Profile for set of attributes and events:

```
configure
  edr-profile edr_profile_name
    [ no ] attribute attribute-name
    [ no ] event-group event-name
end
```

Notes:

- **edr-profile**: Configures an EDR profile. *edr\_profile\_name*: Specifies an EDR Profile name. Enter a string of size 1–63.
- **attribute** : Configures the attribute to be customized.
- **event-group** : Configures the event-group to be customized.
- **no**: Enables or Disables options such as edr-profile, attribute, and event-group.

## Associating EDR-Profile with Call-Control-Profile

Use the following configuration commands to associate edr-profile with call-control-profile:

```
configure
  call-control-profile profile_name
    [ remove ][ { reporting-action } { mme-event-record } [edr-profile
edr_profile_name ) ] ]
end
```

## Show Command and Output

**show edr-profile all | full | name**

The output of this command displays the configuration of edr profile for all the attributes and event-groups:

1. Attributes-The output displays the following list of attributes enabled or disabled under edr-profile:
2. Event-group-The output displays the following list of events enabled or disabled under edr-profile:



**Note** By default, all attributes and event-groups are enabled. It can be enabled and disabled based on the requirement.

```
Edr Profile Name : test
Attribute :
result : Enabled
mme-address : Enabled
msisdn : Enabled
imsi : Enabled
imei (sv) : Enabled
old-guti : Enabled
old-guti-type : Enabled
guti : Enabled
ecgi : Enabled
```

**show call-control-profile full name**

```

current-tac : Enabled
enodeb-id : Enabled
disc-reason : Enabled
ebi : Enabled
linked-ebi : Enabled
apn : Enabled
pdn-type : Enabled
ipv4-address : Enabled
ipv6-address : Enabled
pti : Enabled
qci : Enabled
arp : Enabled
qos-change : Enabled
lai : Enabled
proc-start-time : Enabled
mme-ue-slap-id : Enabled
all : Enabled

Event-group :
attach : Enabled
detach : Enabled
tau : Enabled
handover : Enabled
service-request : Enabled
paging : Enabled
pdn-connect : Enabled
pdn-disconnect : Enabled
bearer-act-request : Enabled
bearer-deact-request : Enabled
bearer-mod-request : Enabled
csfb : Enabled
srvcc : Enabled
all : Enabled

```

**show call-control-profile full name**

The output of this command displays the configuration of call-control-profile for the newly introduced attributes:




---

**Note** Ensure that the EDR profile is created before associating it to the call-control-profile. If a non-existent edr-profile is associated to the call-control-profile then edr customization is not applicable.

---

- Edr Profile: Displays configuration for Edr Profile.
- edr-profile-name/Not Defined: The output of this command displays the associated edr-profile name if configured else it will display as Not Defined.

## Limitations

The reliability of event generation is limited by the CDRMOD framework – particularly in the following ways:

- Any reboot of the chassis, will result in loss of records that are not yet flushed to the hard-disk or an external server
- In case of overload of the CDRMOD, the SESSMGR ignores event records if the queue is full.

- EDR sequence numbers are within the scope of the Session Manager. If a different Session Manager is selected, the EDR sequence number may reset or continue from the last sequence number allocated in that Session Manager.
- The statistics are key parameters for logging EDRs, if the statistics have any discrepancies the EDRs are not generated. Listed below are some scenarios where the EDRs are not generated due to discrepancies in statistics:
  - Network or MME initiated dedicated bearer de-activation during SRVCC procedures.
  - HSS initiated modification failures.
  - HSS initiated PDN disconnect failures.
- Currently, MME does not support the event record generation based on the call-control-profile. You can enable the event record generation similarly as enabling at mme-service. You can enable for all subscribers at mme-service or at call control profile. However, the call control profile allows you to enable for all subscribers and not for specific subscribers.

## Relationship with Other Products

The SGSN has a similar function, GMM-SM Event Logging. For information about this functionality refer to the *SGSN Administration Guide*.

## Configuring Event Logging

The following configurations are discussed in this section for Event Data Records (EDRs):

### Enabling Event Logging

The following CLI configuration is executed in the Call Control Profile mode to enable Event Logging on the MME.

```
config
call-control-profile profile_name
reporting-action mme-event-record edr-profile edr-profile-name
exit
```

Notes:

- The call-control-profile configuration enables Event Logging for MME, provided this profile is associated to the **mme-service** through operator policy and subscriber map.
- **reporting-action** enables procedure reports.
- **mme-event-record** reports MME procedures in the form of event records using CDRMOD.
- **reporting-action mme-event-record edr-profile edr-profile-name**: Associates an edr-profile in a call-control-profile.

## Enabling EDR Logs

The CDRMOD proctlet writes the individual records into a single file received from several session managers. The CDRMOD proctlet is enabled with the configuration below.

```
config
  context context_name
  edr-module active-charging-service reporting
    cdr { push-interval interval_time | remove-file-transfer
  | use-harddisk | transfer-mode { pull | push primary { encrypted-url |
  url } url [ secondary { encrypted-secondary | secondary-url } url_ ] } [
  module-only ] }
  end
```

## Configuring File Parameters

File parameters can be configured using the configuration given below.

```
config
  context context_name
  session-event-module
    file name file_name current-prefix current_file_prefix rotation
  volume file_rotation_size rotation time file_rotation_time field-separator
  underscore sequence-number padded charging-service-name include compression
  gzip }
  end
```

## EDR Profile Association

The Call Control Profile configuration enables event Logging for MME, provided the EDR profile is associated to the MME-Service through Operator Policy and Subscriber Map (LTE-Policy).

```
config
  operator-policy name policy_name
    associate call-control-profile call_control_profile_name
  exit
  lte-policy
    subscriber-map map_name
    precedence precedence_value match-criteria all operator-policy-name
  policy_name
    exit
  exit
  context context_name
    mme-service service_name
    associate subscriber-map map_name
  end
```

## Verifying the Event Logging Configuration

The following commands are used to verify the parameters for Event Logging.

- **show call-control-profile full all**

- **show operator-policy full all**
- **show lte-policy subscriber-map name sub1**
- **show mme-service all**

## Monitoring and Troubleshooting Event Logging

This section provides information on how to monitor Event Logging.

### Event Logging Show Command(s) and/or Outputs

This section provides information regarding show commands and/or their outputs in support of Event Logging.

The show commands in this section are available in support of the Event Logging.

#### show call-control-profile full all

```
Call Control Profile Name = TEST
SAMOG Home PLMN                : Not configured
Accounting Mode (SGW/SaMOG)    : None
Accounting stop-trigger (SGW)  : Not configured
Accounting Policy (SaMOG)      : Not configured
Event Data Records (MME)       : Enabled
```

#### show edr-profile full all

Following example is the show output of edr-profile.

Tuesday April 27 02:06:11 EDT 2021

```
Edr Profile Name : edr1
***** Attribute *****
result : Enabled
mme-address : Enabled
msisdn : Enabled
imsi : Enabled
imei (sv) : Enabled
old-guti : Enabled
old-guti-type : Enabled
guti : Enabled
ecgi : Enabled
current-tac : Enabled
enodeb-id : Enabled
disc-reason : Enabled
ebi : Enabled
linked-ebi : Enabled
apn : Enabled
pdn-type : Enabled
ipv4-address : Enabled
ipv6-address : Enabled
pti : Enabled
qci : Enabled
arp : Enabled
qos-change : Enabled
lai : Enabled
procedure-start-time : Enabled
mme-ue-slap-id : Enabled
all : Enabled
```

```

***** Event-group *****
attach : Enabled
detach : Enabled
tau : Enabled
handover : Enabled
service-request : Enabled
paging : Enabled
pdn-connect : Enabled
pdn-disconnect : Enabled
bearer-act-request : Enabled
bearer-deact-request : Enabled
bearer-mod-request : Enabled
csfb : Enabled
srvcc : Enabled
all : Enabled
[ingress]asr5500#

```

## show cdr statistics

On running the above command , the following statistics are displayed:

```

EDR-UDR file Statistics:
CDRMOD Instance Id: 2
  Overall Statistics:
    Files rotated:
      30
    Files rotated due to volume limit:
      0
    Files rotated due to time limit:
      3
    Files rotated due to tariff-time:
      0
    Files rotated due to records limit:
      11
    File rotation failures:
      0
    Files deleted:
      7
    Records deleted:
      0
    Records received:
      23754
    Current open files:
      0

Time of last file deletion:
2015
Sunday November 08 23:32:53 EST

Session-Event Record Specific Statistics:
Session-Event files rotated:
      30
Session-Event files rotated due to volume limit:
      0
Session-Event files rotated due to time limit:
      3
Session-Event files rotated due to tariff-time:
      0
Session-Event files rotated due to records limit:
      11
    Session-Event file rotation failures:
      0
    Session-Event files deleted:
      7
    Session-Event records deleted:
      0
    Session-Event records received:
      23754
    Current open Session-Event files:
      0
Time of last Event file deletion:
Sunday November 08 23:32:53 EST 2015

```



# CHAPTER 41

## Events Monitoring

- [Feature Summary and Revision History, on page 461](#)
- [Feature Description, on page 462](#)
- [How it Works, on page 469](#)
- [Configuring MME Services and Call Control Profiles , on page 481](#)
- [Configuring Monitoring Events Profile , on page 483](#)
- [Configuring External-identifier in lte-policy, on page 487](#)
- [Configuring congestion-action-profile for Monitoring Events , on page 487](#)
- [Monitoring and Troubleshooting, on page 488](#)

## Feature Summary and Revision History

### Summary Data

Applicable Product(s) or Functional Area	MME
Applicable Platform(s)	<ul style="list-style-type: none"><li>• ASR 5500</li><li>• VPC-DI</li><li>• VPC-SI</li></ul>
Feature Default	Disabled - Configuration Required
Related Changes in This Release	Not applicable
Related Documentation	<ul style="list-style-type: none"><li>• <i>Command Line Interface Reference</i></li><li>• <i>MME Administration Guide</i></li></ul>

**Revision History**

Revision Details	Release
This releae supports communicatation of monitoring information from MME to SCEF through Interworking(IWK) SCEF.	21.20
The Events Monitoring and External-Identifer features are fully qualified in this release.	21.19.1
This release supports: <ul style="list-style-type: none"> <li>• Monitoring Event configuration request and response over S6a and T6a interfaces.</li> <li>• External-identifier support on MME for Monitoring Events feature.</li> </ul> <p><b>Important</b> Monitoring Events and External-identifier features are not fully qualified in this release and are available only for testing purposes. For more information, contact your Cisco Account Representative.</p>	21.19
First introduced.	21.18

# Feature Description

The Event Monitoring functionality allows monitoring of specific events in the 3GPP system and makes the event information available through either Service Capability Exposure Function (SCEF) or Home Subscriber Server (HSS). Allows the identification of the 3GPP network elements that are suitable for configuring specific events, detecting events, and reporting events to the authorized users. MME supports Roaming functionality for monitoring events through Interworking (IWK) SCEF by communicating the monitoring information to SCEF.

The following example explains a specific use case for an individual subscriber.

A subscriber can track the following events:

- Loss of Connectivity
- UE Reachability
- Location Reporting
- Communication Failure
- Availability after DDN Failure
- Number of UEs Present in a Geographical Area




---

**Note** This is a node level event unlike other events that are specific to a subscriber.

---

- UE Reachability and Idle Status Indication
- Availability after DDN Failure and Idle Status Indication



- PDN Connectivity Status

In StarOS 21.19 and later releases, MME supports monitoring events on s6a and t6a interfaces for monitoring the following events:

- **Loss of Connectivity**–Event is triggered when UE's radio connectivity is lost. HSS configures the Loss of Connectivity event through ULA/ISDR messages. Event reporting happens through RIR with event-specific parameters. The following AVPs are supported.

**Table 27: Supported AVPs**

AVPs	Parameters
Loss-Of-Connectivity-Reason - Identifies the reason of loss of connectivity	<b>UE_DETACHED_MME (0)</b> <b>UE_PURGED_MME (4)</b>

- **UE Reachability**–Monitoring Events reports when UE transitions to ECM-CONNECTED mode (for a UE using Power-Saving Mode or extended idle mode DRX) or when the UE reaches for paging (for a UE using extended idle mode DRX).

**Table 28: Supported AVPs**

AVPs	Parameters
UE-Reachability-Configuration	[ <b>Reachability-Type</b> ] [ <b>Maximum-Response-Time</b> MME uses the Maximum Response Time as the Active Time for PSM UEs only if the configuration is enabled as part of Monitoring Events Profile.
Event Reporting	<b>Reachability-Information</b> <b>Maximum-UE-Availability-Time</b>

- **Location Reporting**–Monitoring Events sends report when the MME detects that the UE changed location with the granularity as requested by the monitoring event configuration. If there is Minimum Reporting Interval, while the timer is running, the MME suppresses sending consecutive Location Reporting notification. On timer expiry MME sends location information that was contained in the latest suppressed Location Reporting notification and restarts the timer. The supported Accuracy in the network is at either cell level (ECGI), eNodeB, or Tracking Area (TA) level.

Location Reporting is supported for Current Location or the Last Known Location of a UE. One-time and Continuous Location Reportings are supported for the Current Location. The Location Reporting type allows:

- One Time Reporting: If the requested location type is "Last known location", it is one time reporting only.
- Continuous Location Reporting: If a Minimum Reporting Interval is not available, the serving node sends a notification every time it becomes aware of a location change. If periodic time was provided as part of the configuration, MME starts the periodic timer, after sending the first location report.

Table 29: Supported and Unsupported AVPs

AVPs	Parameters
Location-Information-Configuration	[ MONTE-Location-Type ] [ Accuracy ] [ Periodic-Time ]
MONTE-Location-Type	<b>CURRENT_LOCATION (0)</b> <b>LAST_KNOWN_LOCATION (1)</b> <b>Note</b> The default value, when this AVP is not included, is LAST_KNOWN_LOCATION (1).
Common Parameter	Maximum number of reports should not be greater than one if Monitoring-Type is <b>Location Reporting (2)</b> and MONTE-Location-Type is <b>Last Known Location (1)</b>
MME Location Information	[E-UTRAN-Cell-Global-Identity] [Tracking-Area-Identity] [ eNodeB-ID ]
<b>Unsupported AVP</b>	
MME Location Information	[Geographical-Information] [Geodetic-Information] [Current-Location-Retrieved] [Age-Of-Location-Information] [User-CSG-Information] [ Extended-eNodeB-ID ]

- **Communication Failure** –Event is triggered when the MME becomes aware of a RAN or NAS failure event. Event configuration by HSS through ULA/ISDR messages.

Table 30: Supported AVPs

AVPs	Parameters
Communication-Failure-Information	[ Cause-Type ] [ S1AP-Cause ]

- **Availability after DDN Failure**–MME triggers this event when the UE contacts the network, for example, to perform a TAU, or to execute a service request after DDN Failure.



**Note** Not every DDN failure triggers this event. This event is triggered only when DDN failure had occurred due to UE being in PSM or Extended idle mode DRX.

- Maximum number of Reports is not applicable for this event.

**Table 31: Supported AVPs**

AVPs	Parameters
Event configuration	<b>Monitoring -Type:</b> <b>AVAILABILITY_AFTER_DDN_FAILURE (6)</b>
Event Reporting	<b>Monitoring-Type set to</b> <b>AVAILABILITY_AFTER_DDN_FAILURE (6)</b>

- **Number of UEs Present in a Geographical Area**—This is triggered from SCEF to MME in the Configuration Information Request (CIR) message. MME responds with a Configuration Information Answer (CIA) message with the reports, status, and supported Attribute-Value Pair (AVPs). From SCEF, MME processes EUTRAN, TAI, enodeB as hex values based on the 3GPP specifications 29.272, and 29.274.

The following table describes the supported feature AVPs.

**Table 32: Supported and Unsupported AVPs**

AVPs	Parameters
Number-of-UE-Per-Location-Configuration	<b>{ EPS-Location-Information }</b> <b>[ IMSI-Group-Id ]</b> MME supports parsing of one Monitoring-Event-configuration with a maximum of three Number-of-UE-Per-Location-Configurations (in CIR). It responds with a CIA message with Monitoring-Event-Config-Status and one Monitoring-Event-Report.
MME-Location-Information	<b>[E-UTRAN-Cell-Global-Identity]</b> <b>[Tracking-Area-Identity]</b> <b>[User-CSG-Information]</b> <b>[ eNodeB-ID ]</b> For the above mentioned Location Information criteria, MME counts the number of UEs matching the criteria and sets the UE count in the CIA.

AVPs	Parameters
Number-of-UE-Per-Location-Report	{ EPS-Location-Information } { UE-Count } IMSI-Group-Id { Group-Service-Id } { Group-PLMN-Id } { Local-Group-Id }
IMSI-Group-Id	{ Group-Service-Id } { Group-PLMN-Id } { Local-Group-Id }
<b>Unsupported AVP</b>	
Location Information	[Geographical-Information] [Geodetic-Information] [Current-Location-Retrieved] [Age-Of-Location-Information] [ Extended-eNodeB-ID ] For the above mentioned criteria, MME sets UE count as 0 in the CIA.

**Limitations:** The Monitoring-Event-configuration AVPs have the following limitations:

- If the Number of UE events is unsupported, then MME responds with a Result-Code set to DIAMETER\_UNABLE\_TO\_COMPLY.
- If the Monitoring Event type is other than seven (Number-of-UE-Per-Location-Configuration) or Number-of-UE-Per-Location-Configuration AVP is empty, then MME responds with a Result-Code set to DIAMETER\_UNABLE\_TO\_COMPLY.
- If the TA/ECGI location requested by the SCEF is not served by the MME, then the MME sets UE count as 0 in the CIA.
- CIR sent from SCEF within three seconds from previous CIR gets queued in MME with the maximum queue size of five.
- **PDN Connectivity Status**–Supports the following AVPs.

Table 33: Supported AVPs

AVPs	Parameters
PDN-Connectivity-Status-Event configuration	<p>HSS to MME: ULA / ISDRA Monitoring Event Type is set to PDN-Connectivity-Status-Configuration</p> <p><b>[Service-Selection ]</b></p> <p>If the Service-Selection AVP is available, then the monitoring applies to that specific APN.</p> <p>If the Service-Selection is not available the monitoring request applies to all APNs.</p>
PDN-Connectivity-Status-Report	<p><b>{ Service-Selection }</b></p> <p><b>{ PDN-Connectivity-Status-Type }</b></p> <p><b>[ PDN-Type ]</b></p> <p><b>[ Non-IP-PDN-Type-Indicator ]</b></p> <p><b>[ Non-IP-Data-Delivery-Mechanism ]</b></p> <p><b>[ Served-Party-IP-Address ]</b></p>

- **Idle Status Indication for Availability after DDN failure and UE reachability** – MME supports Idle Status Indication when the UE transitions into idle mode. The MME includes the time at which the UE transitioned into idle mode, the active time, and the periodic TAU/RAU time granted to the UE by the MME in the notification sent towards the SCEF, the eDRX cycle length, and the suggested number of downlink packets if a value is provided to the S-GW.

Table 34: Supported AVPs

AVPs	Parameters
Idle-Status-Indication	<p><b>[ Idle-Status-Timestamp ]</b>–Time at which the UE transitioned into idle mode.</p> <p><b>[ Active-Time ] d</b>– The active time if PSM is enabled.</p> <p><b>[ Subscribed-Periodic-RAU-TAU-Timer ]</b>–The periodic TAU/RAU time granted to the UE by the MME.</p> <p><b>[ eDRX-Cycle-Length ]</b>–The eDRX cycle length if eDRX is enabled.</p> <p><b>[ DL-Buffering-Suggested-Packet-Count ]</b> –The Suggested number of downlink packets sent to the S-GW.</p>

- **External-identifier on MME for Monitoring Events**– The External-identifier feature is applicable for the ULR/ULA, DSR/DSA, and IDR/IDA command pairs over S6a (and S6d), when the MME supports the External-identifier.

- MME includes the External-identifier or the MSISDN if present in the subscription data received from the HSS in the User Identifier AVP towards SCEF in RIR.



**Note** If the MME does not support External-identifier, MME will not process the External-Identifier if received in the subscription data.

- When you receive External Identifier AVP as part of Monitoring Event Configuration AVP, it has higher precedence than the same AVP received under Subscription Data AVP of ULA/ISDR.

- **Gtpv2 (S10 and S3 Interfaces)**—Monitoring Event information IE and Monitoring Event Extension Information IE are supported and filled as applicable.
- **Tracking Area Code in RIR**—MME includes the following AVP in every RIR Monitoring Event Report Message towards SCEF (except when the monitoring type is Location Reporting) to report UE location (TAC) when the event report is generated. MME supports enabling and disabling configuration at CallControlProfile level (Monte profile) and MME service (Monte profile). By default, it is disabled.

```
Monitoring-Event-Report
  [ EPS-Location-Information ]
    [MME-Location-Information]
      [ Tracking-Area-Identity ]
```

**Rat-Type and IMSI-Group-Id Filters**

The following method describes how to configure Rat-Type and IMSI-Group-Id filters for the operators:

- By default the Rat-Type Filter is configured to all.
- For the Number of UEs requested location criterion, MME matches the requested location criteria for each UE.
  - If IMSI-Group filtering is requested, then the exact count of the number of UEs belonging to the provided IMSI Group that are known to be at the requested location is included in the CIA.
  - If IMSI-Group filtering is not requested, then the exact count of the number of UEs belonging to the provided requested location is calculated and included in the CIA.

To calculate the number of UEs count belonging to a requested location, MME does number of UEs filtering based on the Rat-Type and IMSI-Group-ID:

By default, the Rat-Type Filter is configured to access type 'all' for number of UE events under *monitoring-event* profile.

- MME checks if a subscriber Rat-Type matches with the configured RAT-Type.
- If the Rat-Type configured does not match, MME will not do further location search for that subscriber.
- If Rat-Type matches, it proceeds to check if the IMSI-Group-Id is present in CIR request message.

If the IMSI-Group-Id filtering is requested:

- MME checks to match with any of the subscribers configured IMSI-Group-Id (each subscriber can have maximum of five IMSI-Group-ID configured). If a match is found, then the UE/subscriber location is matched with the requested location criteria and only then number of UEs count is incremented.

If the IMSI-Group-Id filtering is not requested:

- UE location is matched with the requested location criteria. If match is found only, then number of UEs count is incremented. This is performed for all the UEs located at MME.

### Session Recovery Support

MME supports the recovery of monitoring events configurations when there is a session manager task failure. Following are the post recovery functions:

- If the periodic time is present as part of the location reporting configuration, the same gets restarted only after sending the report for first location change.
- UE reachability reporting related to paging occasions for UEs in idle mode gets resumed only when the UE moves again to the idle state.



---

**Note** Monitoring events-related statistics are not recovered as part of recovery mechanism.

---

## How it Works

This section describes how monitoring events work for the following events:

- **Number of UEs Present in a Geographical Area** –MME and SCEF exchanges the UE information based on the location information through Configuration Information Request (CIR) and Configuration Information Answer (CIA) messages
- **Communication Failure**–The communication failure events that happen between MME and HSS can be monitored, when HSS sends a communication failure message in the monitoring event configuration. MME receives the message through Insert Subscriber Data Request (ISDR) or Update Location Answer (ULA) on s6a interface. The MME sends the Monitoring Event Report for the communication failure event to SCEF over t6a interface through RIR (Reporting-Information-Request) messages.
- **External-identifier**–MME supports the following External-identifier functions:
  - If enabled in CLI, updates HSS on External-identifier support.
  - If MME receives external identifier as part of Monitoring Event Configuration Grouped AVP, this external identifier is sent in RIR to SCEF.
  - If external identifier AVP is NOT received as part of Monitoring Event Configuration AVP but, received in Subscription Data AVP, the same is updated in RIR to SCEF.
- **IMSI-Group**–MME supports following IMSI-Group-Id functions:
  - Updates HSS through ULA, ISDR, and DSDR.
  - MME replaces stored IMSI-Group Ids, if any, with the received information on receiving IMSI-Group-Id AVP(s) within the Subscription-Data AVP.
  - Supports maximum of five IMSI-Group-ID for each UE.

- **UE Reachability**–MME uses the timer values sent by HSS for PSM enabled UEs when configured through cli. By default, it is disabled.

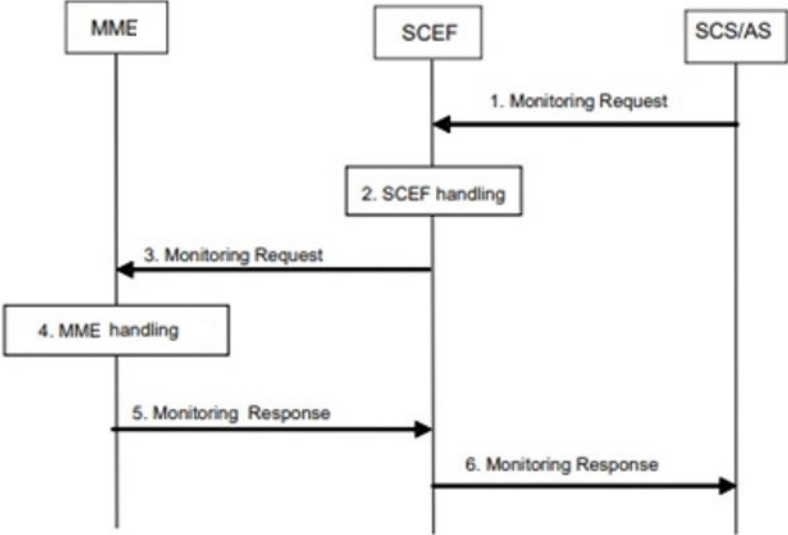
Table 35: MME behavior when PSM or eDRX or both are enabled

If Only PSM is Enabled	If Only eDRX is Enabled	If Both PSM and eDRX is Enabled
<ul style="list-style-type: none"> <li>• RIR is sent when UE gets connected without Maximum-UE-Availability-Time.</li> <li>• If idle indication is enabled, RIR is sent when UE moves to idle.</li> </ul>	<ul style="list-style-type: none"> <li>• RIR is sent when UE gets connected without Maximum-UE-Availability-Time.</li> <li>• RIR is sent before every paging occasion with PTW as Maximum-UE-Availability-Time.</li> <li>• If idle indication is enabled, RIR is sent when UE moves to idle.</li> </ul>	<ul style="list-style-type: none"> <li>• RIR is sent when UE gets connected without Maximum-UE-Availability-Time.</li> <li>• If idle indication is enabled, RIR is sent when UE moves to idle.</li> <li>• RIR is sent before every paging occasion with PTW as Maximum-UE-Availability-Time.</li> </ul>

Monitoring Events Workflow

This section describes the call flows in which the monitoring events procedures are performed.

Figure 39: Call Flow from SCEF to MME



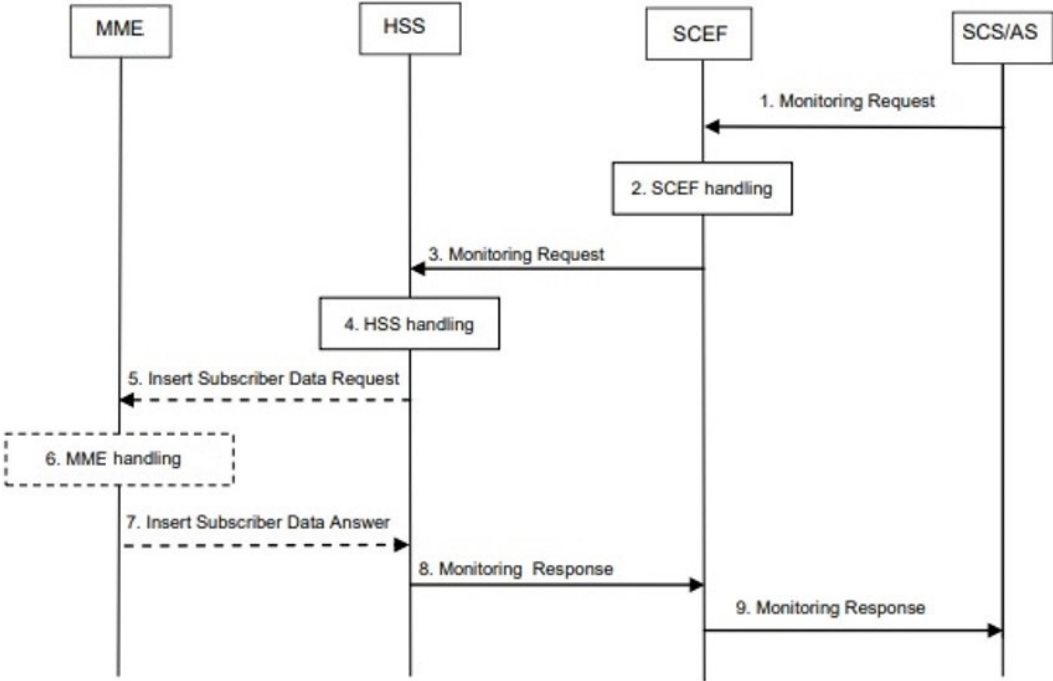
443595



*Figure 40: Call Flow from SCEF to MME***Table 36: Monitoring Event Configuration and Deletion through MME Procedure**

Step	Description
1	The SCS/AS sends a Monitoring Request (SCS/AS Identifier, Monitoring Type, Monitoring Duration, Maximum Number of Reports, T8 Destination Address, T8 Long-Term Transaction Reference ID (TLTRI) for Deletion message to the SCEF. The SCEF assigns a TLTRI that identifies the Monitoring Request.
2	The SCEF stores the TLTRI, and also assigns it to an SCEF Reference ID.
3	The SCEF sends Monitoring Request such as SCEF ID, SCEF Reference ID, Monitoring Type, Monitoring Duration, Maximum Number of Reports and SCEF Reference ID for Deletion message to the MME.
4	<ul style="list-style-type: none"> <li>• The MME examines whether to accept the request from the SCEF based on operator configuration or whether it serves the SCEF Reference ID for Deletion and can delete it.</li> <li>• If acceptable, the MME stores SCEF ID, SCEF Reference ID, Monitoring Duration, Maximum Number of Reports and other relevant parameters, unless it is a One-time request, and the Monitoring Event is available to the MME currently.</li> <li>• The MME deletes the monitoring configuration identified by the SCEF Reference ID for Deletion, if provided.</li> </ul>
5	The MME sends a Monitoring Response (SCEF Reference ID, Cause) message to the SCEF to acknowledge acceptance of the Monitoring Request and to provide the requested monitoring information or to acknowledge the deletion of the identified monitoring event configuration, if it was requested.
6	The SCEF sends a Monitoring Response (TLTRI, Cause, Monitoring Event Report) message to the SCS/AS to acknowledge acceptance of the Monitoring Request and to provide the requested monitoring information in Monitoring Event Report parameter or to acknowledge the deletion of the identified monitoring event configuration at the time of request.

Figure 41: Monitoring Event Configuration and Deletion through HSS Call Flow



443596

Table 37: Monitoring Event Configuration and Deletion through HSS Procedure

Step	Description
1	The SCS/AS sends a Monitoring Request message to the SCEF with necessary parameters. The request can be for both configuring and deleting any existing configuration..
2	The SCEF stores parameters provided and takes actions based on operator policies. The SCEF stores the T8 Long-Term Transaction Reference ID (TLTRI) and also assigns to an SCEF Reference ID.
3	The SCEF sends a Monitoring Request message to the HSS to configure the given Monitoring Event on the HSS/MME.
4	The HSS examines the Monitoring Request message, stores the parameter, and takes action based on operator policies.
5	HSS sends an Insert Subscriber Data Request (Monitoring Type, SCEF ID, SCEF Reference ID, Maximum Number of Reports, Monitoring Duration, SCEF Reference ID for Deletion, and so on) message to the MME for each individual UE. <b>Note</b> Monitoring Event Configuration can also be sent over ULA.

Step	Description
6	<p>The MME stores the received parameters and starts to watch for the indicated Monitoring Event unless, it is a One-time request, and the Monitoring Event is available to the MME at the time of sending Insert Subscriber Data Answer. The MME deletes the monitoring configuration identified by the SCEF Reference ID for Deletion, if provided. MME does not perform any duplication checks regarding SCEF-Ref-id.</p> <p>To know more about MME handling refer the <i>MME Handling of Configuration and Deletion</i> section.</p>
7	<p>If the monitoring configuration is successful, the MME sends an Insert Subscriber Data Answer (Cause) message to the HSS. If the requested Monitoring Event is available to the MME at the time of sending Insert Subscriber Data Answer, then the MME includes the Monitoring Event Report in the Insert Subscriber Data Answer message.</p> <p><b>Note</b> If configuration was received over ULA, reports will be sent over RIR towards SCEF</p>
8	HSS sends a Monitoring Response message to the SCEF to acknowledge acceptance of the Monitoring Request.
9	SCEF sends a Monitoring Response message to the SCS/AS to acknowledge acceptance of the Monitoring Request.

#### MME Handling of Configuration and Deletion:

- The Diamproxy client, which is running on the StarOS device receives Monitoring Event Configuration Requests from the HSS through s6a interface under Subscription data grouped AVP or from the SCEF through t6a in Configuration Information Request message.
- AVP information received from the device is parsed and the message is sent to corresponding Session Manager for further handling.
- The Session Manager parses the event message and decodes the appropriate event.



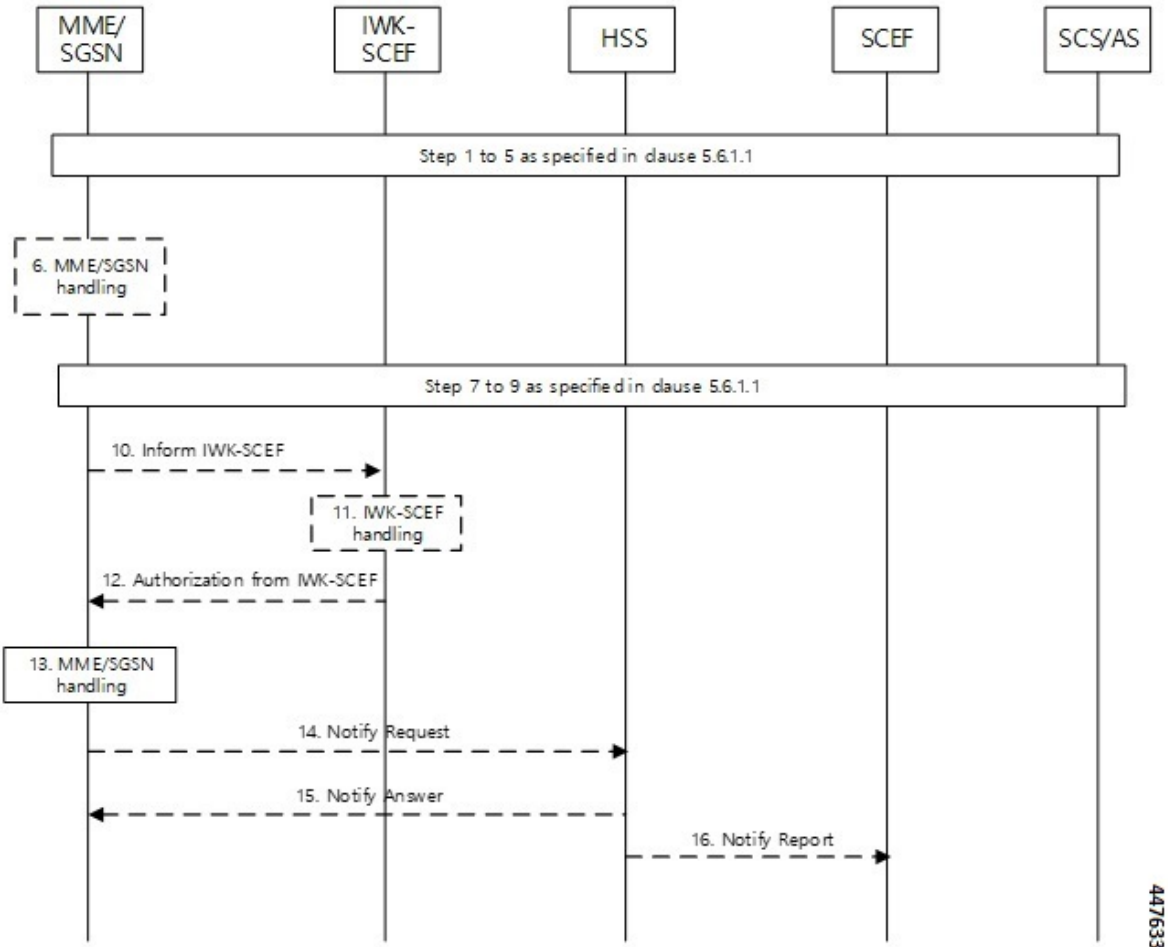
**Important** MME running as part of Session Manager identifies if the message is synchronous and responds immediately or asynchronously. Requests from HSS are received in the Update Location Answer(ULA)/Insert Subscriber Data Request(ISDR).

If the response is determined as asynchronous, then the response is notified through t6a to SCEF directly.

- Event handling routine invokes handler for appropriate events.
- After the event handling, the report is sent through Monitoring Event Report message on s6a and t6a interface. Based on the event type, MME chooses to dispatch the report on S6a interface.
- If available, the HSS S6a Insert Subscriber Data Answer can contain the report for the Monitoring event (s). Configuration Information Answer and Reporting Information Request message can contain the report on t6a interface.

**Limitation:** After session manager recovery the Diamproxy client continues to send CIR to the same cached session manager instance until the next CMR is triggered from any of the active session manager instances. During this period MME will not handle the CIR message.

**Figure 42: Monitoring Events Call Flow through Interworking (IWK) SCEF**



447533

**Table 38: Monitoring Event Configuration through IWK-SCEF Procedure**

Step	Description
1 through 9	MME establishes a UE connection and learns the monitoring event configuration parameters from HSS through S6a interface.  <b>Note</b> HSS S6a subscription data contains Monitoring event configuration AVPs that MME need to parse to learn the event.

Step	Description
10	<p>MME checks:</p> <ul style="list-style-type: none"><li>• for the roaming subscribers who have received monitoring event configuration in ULA/ISDR from HSS</li><li>• whether roaming support and IWK SCEF details are configured as part of monitoring event profile.</li></ul> <p>MME then constructs a Configuration Information Request message (CIR), which includes monitoring event configuration as received from HSS and Supported Features AVP. MME starts a timer for 6 seconds after sending CIR.</p> <p>When DSDR / ISDR with 'scef ref id for deletion' is received, MME deletes the respective config locally and also sends CIR with details of events to be deleted, with corresponding scef reference id filled as part of "SCEF-Reference-ID-for-Deletion" AVP.</p>
11	IWK-SCEF either accepts or rejects events.

Step	Description
12 through 15	

Step	Description
	<ul style="list-style-type: none"> <li>• If there is no response, MME considers timeout as failures and does not apply new monitoring configurations and for each rejected events MME sends NOR towards HSS separately.</li> <li>• If CIA is received from MME, MME passes through the message and checks if IWK-SCEF has sent any of the below failure causes and it takes necessary action accordingly. <ul style="list-style-type: none"> <li>At Message level , <ul style="list-style-type: none"> <li>Experimental code AVP : <ul style="list-style-type: none"> <li>DIAMETER_ERROR_UNAUTHORIZED_REQUESTING_ENTITY (5510)</li> <li>DIAMETER_ERROR_UNAUTHORIZED_SERVICE (5511)</li> </ul> </li> <li>• If Experimental code AVP is not present, MME checks for Result code AVP.</li> <li>• If MME receives any of the above failure causes or result code is not success, MME does not apply any of the new monitoring events configuration sent in CIR and for each rejected events MME sends NOR towards HSS separately.</li> <li>• If message level IWK SCEF responds as success, MME checks for contents filled with Service-result-code AVP for every configuration sent.</li> <li>• If <b>Service-result-code</b> AVP is filled with Experimental Result Code values, MME checks for below causes, else MME considers it as Result-code values and takes action accordingly: <ul style="list-style-type: none"> <li>Experimental code values checked by MME: <ul style="list-style-type: none"> <li>DIAMETER_ERROR_UNAUTHORIZED_REQUESTING_ENTITY (5510)</li> <li>DIAMETER_ERROR_UNAUTHORIZED_SERVICE (5511)</li> <li>DIAMETER_ERROR_CONFIGURATION_EVENT_STORAGE_NOT_SUCCESSFUL (5513)</li> <li>DIAMETER_ERROR_CONFIGURATION_EVENT_NON_EXISTANT (5514)</li> </ul> </li> </ul> </li> </ul> </li> <li>• If MME receives any of the above failure causes or result code is not success, MME does not apply those failed monitoring events configuration and for each rejected events MME sends NOR towards HSS separately. MME applies for the monitoring configurations which IWK SCEF had returned success and start reporting.</li> <li>• MME applies the monitoring events configuration that is accepted by IWK-SCEF.</li> <li>• MME continues to monitor for the events, triggers events, and sends the report to IWK-SCEF through Reporting Information Request (RIR).</li> </ul> <p><b>Important</b> Unless IWK-SCEF rejects with any of the above failure</p> </li></ul>

Step	Description
	causes, MME considers the same as success and monitoring events configuration are applied for subscribers.



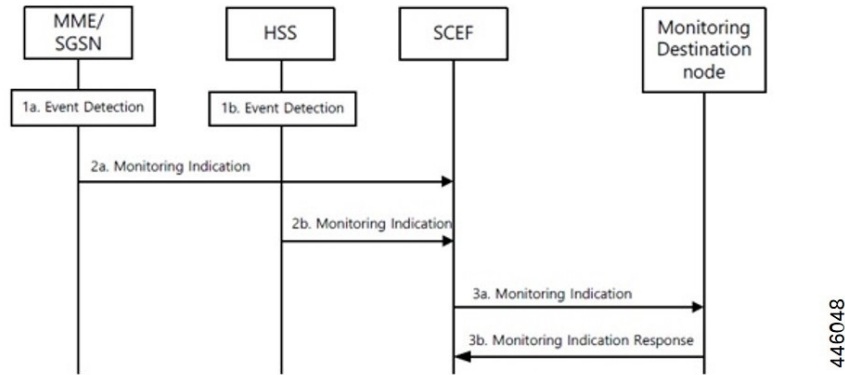
**Note**

- MME does not include Monitoring Event Report as part of CIR to IWK SCEF. Instead, MME sends the available reports as part of RIR. No reports are filled in ISDA for roaming subscribers.
- When current location is requested in ISDR as part of monitoring events configuration, paging or location reporting control gets triggered based on UE state. RIR with location report is sent only after receiving response for paging or location reporting and CIA from IWK SCEF.
- Number of UEs in geographical area is a node level messages and behavior will be the same for both roaming and home subscribers.

**Monitoring Events Report Call Flow and Procedure**

The following section describes call flows and procedures of monitoring events report.

**Figure 43: Call Flow**



**Table 39: Monitoring Event Report Procedure**

Step	Description
1	MME detects events.
2	Report is sent through Monitoring Event Report message on s6a and t6a interface. For roaming subscribers, the report is sent through t6ai interface.

Configuring, monitoring, and reporting of new messages and AVPs for subscribers are supported by following mechanisms:

- Monitoring Event Configuration AVP in CIR message from SCEF over t6a interface.



- Monitoring Event Configuration in ULA/ISDR from HSS over s6a interface.
- Monitoring Event Report AVP from MME over t6a interface through CIA for the number of UE in a geographical area event.
- Monitoring Event Report AVP to HSS over S6a interface through ISDA message.
- Monitoring Event Report AVP to SCEF over t6a interface through RIR message.

## Limitations

Following limitations are applicable for monitoring events functionality:

- Maximum of one Monitoring Event Configuration for each event for the UE is supported in MME. If MME receives same monitoring event configuration for same UE and Type, MME replaces the existing configuration and starts monitoring event reporting based on the new configuration.

For Number of UEs in Geographic area, maximum of one Monitoring-Event-Configuration for each CIR message is supported.

- We recommend limiting the maximum number of UE with monitoring events enabled and active up to 50 percent of the maximum sessions for each session manager instance. Beyond this limit, there might be an impact on memory and CPU resources. There are no hard limits restricted within MME.
- Maximum of five IMSI-Group-Ids for each UE or subscriber is configured and maintained.
- If SCEF does not respond, MME does not retry the Reporting Information Request.
- Maximum range of Monitoring-Duration supported is limited to 30 days.
- The maximum length of SCEF-Id, SCEF-Realm, External-Identifier, Service-Selection AVP, and Local\_Group\_id AVP is 128 characters.
- T6a interface messages are not supported in mon sub (monitor subscriber).

## Supported Standards

The Monitoring Events feature complies with the following 3GPP Release 16.0.0 specification standards:

- 3GPP TS 23.682
- 3GPP TS 29.128
- 3GPP TS 29.272
- 3GPP TS 29.274
- 3GPP TS 29.128
- 3GPP 23.401

## Common Procedures and Parameters for Monitoring Events

Following procedures, messages and common parameters are supported for Monitoring Events.

Table 40: Supported Interfaces and Procedures

Interface	Description
S6a	Update Location Request Update Location Answer Insert Subscriber Data Request Insert Subscriber Data Answer Delete Subscriber Data Request Delete Subscriber Data Answer Notification Request Notification Answer
T6a	Reporting Information Request Reporting Information Answer Configuration Information Request Configuration Information Answer

Following table lists common AVPs on T6a and S6a interfaces.

Table 41: Common Procedures and AVPs

Procedure	Common AVPs
Monitoring-Event-Configuration	[ SCEF-Reference-ID ] { SCEF-ID } { Monitoring-Type } [ SCEF-Reference-ID-for-Deletion ] [ Maximum-Number-of-Reports ] [ Monitoring-Duration ] [ UE-Reachability-Configuration ] [ Location-Information-Configuration ] [ Number-Of-UE-Per-Location-Configuration ] <b>Note</b> Allows Maximum of 3 AVPs for each MONTE configuration. <b>PDN-Connectivity-Status-Configuration</b>
Monitoring-Event-Status	[ Service-Report ],{ SCEF-Reference-ID }, [ SCEF-ID ]

Procedure	Common AVPs
Monitoring-Event-Report	SCEF-Reference-ID },[ SCEF-ID ], [ Monitoring-Type ], [ Reachability-Information ], [ EPS-Location-Information ],[ Communication-Failure-Information ],[ Number-Of-UE-Per-Location-Report ], [ Loss-Of-Connectivity-Reason ], [ Idle-Status-Indication ], [ Reporting-Time-Stamp ], [ Maximum-UE-Availability-Time ], Maximum-UE-Availability-Time ], [PDN-Connectivity-Status-Report]

Following lists of GTPv2 IEs (S10 and S3) are supported for monitoring events:

- Monitoring Event Information
- Monitoring Event Extension Information

## Configuring MME Services and Call Control Profiles

This section describes how to configure monitoring events for a call control profile.



### Important

When you configure MME service for users, monitoring-events is disabled by default. Whenever the operator enables the **MONTE** feature in a call control profile or mme-service, it is mandatory to associate a monitoring-event-profile.

## Enabling the CLI monitoring-events in a Call Control Profile

Use the following configuration to enable CLI monitoring-events for all users in a call control profile.

```
configure
call-control-profile profile_name
[ no | remove ] monitoring-events
end
```

### NOTES:

- **call-control-profile** *profile\_name*: Creates an instance of a call control profile. *profile\_name* specifies the name of the call control profile and must be a string of 1-64 characters.
- **monitoring-events**: Enables the monitoring events under the call control profile mode.
- **no**: Disables CLI monitoring events in a call-control-profile for an MME service.
- **remove**: Removes the event configuration from the call-control-profile.

:

## Associating Monitoring Events Profile under Call Control Profile

Use the following configuration to associate a monitoring-event-profile CLI for all users in a call control profile. For the number-of-ue-events profile, the operator should enable the CLI and must associate at mme-service level. If the operator enables it at CCP level, then there will not be any effect as the configuration is a node-level message.

```
configure
  call-control-profile profile_name
    associate monitoring-event-profile profile_monte
  end
```

### NOTES:

- **call-control-profile** *profile\_name*: Creates an instance of a call control profile. *profile\_name* specifies the call control profile name, and must be an alphanumeric string of 1-64 characters.
- **associate monitoring-event-profile** *profile\_monte*: Associates monitoring profiles in a call control profile whenever MONTE feature is enabled.

## Configuring Monitoring Events for an MME Service

Use the following configuration to monitor events for an MME service:

```
configure
  context context_name
    mme-service service_name
      [ no ] monitoring-events
    end
```

### NOTES:

- **mme-service** *service\_name*: Specifies the name of the MME service and must be a string of 1-63 characters.
- **monitoring-events**: Enables monitoring events for MME service users.
- **no**: Disables CLI monitoring-events in an MME Service.

## Associating Monitoring Events Profile under MME Service

Use the following configuration to associate a monitoring-event-profile CLI for all users in an MME service.




---

**Important** monitoring-event-profile is mandatory for MME to start event monitoring.

---

```
configure
  context context_name
    mme-service service_name
      associate monitoring-event-profile profile_monte
    end
```

### NOTES:

- **mme-service** *service\_name*: *service\_name* specifies the MME service name, and must be a string of 1 to 63 characters.
- **monitoring-events**: Configures monitoring events for MME service users.
- **associate monitoring-event-profile** *profile\_monte*: Associates monitoring profiles in an mme-service whenever MONTE feature is enabled.

## Verifying the CLI monitoring-events in an MME Service

The following command is used to verify the parameters for Event Monitoring in an MME service:

- **show mme-service all | grep Monitor**

### Sample Output Configuration:

```
[ingress]asr5500# show mme-service all | grep Moni
Tuesday April 28 20:31:23 IST 2020
Monitoring Event Profile : test
Monitoring Events : Enabled
```

## Configuring Monitoring Events Profile

This section describes how to configure monitoring events profile in a lte-policy mode.

### Configuring monitoring-event-profiles

Use the following command to configure monitoring event profiles to enable list of event types that MME can support.

```
configure
  lte-policy
    monitoring-event-profile profile_monte
      events
    end
```

#### NOTES:

- **lte-policy** *profile\_name*: Creates an instance of the lte-policy for monitoring events configuration.
- **monitoring-event-profile** *profile\_monte* *profile\_name*: Creates a monitoring events profile name under the lte-policy mode.
- **events** : Specifies the event types that MME supports. Options include:
  - loss-of-connectivity
  - ue-reachability
  - location-reporting
  - communication-failure
  - availability-after-ddn-failure

- idle-status-indication
- pdn-connectivity-status
- number-of-ue-in-geo-area
- Roaming Support




---

**Note** If the user configures with Idle Status Indication under the monitoring event profile, then it allows enabling of the following events:

- If UE Reachability (1) is configured, enables UE Reachability and Idle Status Indication(8) events.
  - If Availability after DDN failure (6) is configured, enables Availability after DDN Failure and Idle Status Indication (9) events.
- 

### Enabling Additional CLI Parameters under number-of-ue-in-geo-area

Use the following CLI configuration to enable or disable SCEF IDs to list authorized SCEFs that can request number of UEs present in a geographical area:




---

**Note** Since this a node-level message, ensure to enable this CLI command and associate at mme-service level as number of UE events.

---

```
configure
lte-policy
  monitoring-event-profile profile_monte
    [ no ] events number-of-ue-in-geo-area authorized-scef-id scef_id
  end
```

#### NOTES:

- **lte-policy** : Creates an instance of a lte-policy for monitoring events configuration.
- **monitoring-event-profile** *profile\_monte* : Creates a monitoring events profile name under the lte-policy mode.
- **events number-of-ue-in-geo-area** : Lists the event type instance to enable the authorized SCEFs.
- **authorized-scef-id**: Enables SCEF IDs to list authorized SCEFs who can request this events.
- **[ no ]**: Disables authorized SCEF ID.

### Configure RAT-Type Filter

Use the following CLI configuration to list number of UEs that are calculated based on access types.

```
configure
lte-policy
```

```

monitoring-event-profile profile_monte
  events number-of-ue-in-geo-area { nb-iot | wb-eutran }
  default events number-of-ue-in-geo-area
end

```

**NOTES:**

- **lte-policy** : Creates an instance of a lte-policy for monitoring events configuration.
- **monitoring-event-profile***profile\_monte* : Creates a monitoring events profile name under the lte-policy mode.
- **events number-of-ue-in-geo-area** : Lists the event type instance to enable the access type.
- **nb-iot**: Counts only UEs with Access type as NB-IOT.
- **wb-eutran**: Counts only UEs with Access type as EUTRAN.

**Enabling Additional CLI Parameters under ue-reachability**

Use the following CLI configuration to enable or disable the HSS provided values for active timer t3224 and subscribed periodic time t3412\_E.

```

configure
  lte-policy
    monitoring-event-profile profile_monte
      [ no ] events ue-reachability hss-requested-psm-timers
    end
end

```

**NOTES:**

- **lte-policy** *profile\_name*: Creates an instance of a lte-policy for monitoring events configuration.
- **monitoring-event-profile***profile\_monte* : Creates a monitoring events profile name under the lte-policy mode.
- **no events ue-reachability**: Disables UE reachability events.
- **hss-requested-psm-timers**: MME applies t3324 and t3412\_e timers from subscription data received from HSS. Overrides values defined in PSM policy.

**edrx-reporting-occasions**

Use the following LTE policy configuration to send the UE Reachability report on every paging occasions.

```

configure
  lte-policy
    monitoring-event-profile profile_monte
      events ue-reachability edrx-reporting-occasions
      minimum-cycle-value value reporting-offsetvalue
    end
end

```

**NOTES:**

- **lte-policy** *profile\_name*: Creates an instance of a lte-policy for monitoring events configuration.
- **monitoring-event-profile***profile\_monte* : Creates a monitoring events profile name under the lte-policy mode.

- **events ue-reachability** : Creates an instance of ue-reachability events.
- **edrx-reporting-occasions**: Triggers report on paging occasion for eDRX enabled UEs.




---

**Note** By default, the minimum-edrx-value is 13 and the reporting offset is 2 seconds.

---

- **minimum-cycle-value**: The minimum eDRX cycle value, above which the UE reachability reporting on paging occasions gets triggered.
- **reporting-offset**: Indicates how early the report will be sent before eDRX paging window occurs in seconds.

### Track Area Code in Reporting Information Request

Use the following command to fill the Tracking Area Code (tac) value in every event reporting (RIR message) that is sent to SCEF. By default, the TAC in RIR feature is disabled..

```
configure
  lte-policy
    monitoring-event-profile profile_monte
      no events tac-in-rir
    end
```

#### NOTES:

- **lte-policy *profile\_name***: Creates an instance of a lte-policy for monitoring events configuration.
- **monitoring-event-profile *profile\_monte*** : Creates a monitoring events profile name under the lte-policy mode.
- **no events tac-in-rir**: Disables or fills TAC in all RIR messages sent to SCEF.

### Enabling Roaming Support

Use the following CLI configuration to enable Roaming support:




---

**Note** It is mandatory to configure both host and realm of IWK-SCEF for roaming subscribers. Otherwise, MME considers roaming subscribers as home subscribers and routing of messages will happen accordingly.

---

```
configure
  lte-policy
    monitoring-event-profile map
      [no]roaming-support dest host scef_id
      [no]roaming-support dest realm realm.com
    end
```

#### NOTES:

- **lte-policy** : Creates an instance of a lte-policy for monitoring events configuration.
- **monitoring-event-profile *map*** : Creates a monitoring events profile name under the lte-policy mode.



- **[no]roaming-support dest host** : Enables roaming support destination host name to communicate to SCEF through Interworking (IWK).
- **[no]roaming-support dest realm**: Enables roaming support destination realm name to communicate to SCEF through Interworking (IWK).
- **no** : Removes roaming support destination host or destination realm.



**Note** Make sure to configure both the parameters for roaming subscribers. Otherwise, routing happens like home subscribers.

## Configuring External-identifier in lte-policy

This section describes how to configure External-identifiers in a lte-policy CLI.

### Enabling external-identifier

Use the following configuration to enable the external-identifier CLI in the LTE policy mode.

```
configure
  lte-policy
  monitoring-event-profile profile_monte profile_name
  external-identifier
end
```

#### NOTES:

- **lte-policy profile\_name**: Creates an instance of an lte-policy for monitoring events configuration.
- **monitoring-event-profile profile\_monte profile\_name**: Creates a monitoring events profile name under the lte-policy mode.
- **external-identifier**: Enables external-identifier feature support for monitoring-events.

## Configuring congestion-action-profile for Monitoring Events

This section describes how to configure congestion action profile for monitoring events.

### Enabling a congestion-action-profile Condition for Monitoring Events

Use the following configuration to enable CLI for congestion condition to drop or reject the monitoring-event-config requests in the LTE policy mode.

```
configure
  lte-policy
  [ no ] congestion-action-profile profile_name
```

```
{drop | reject monitoring-event-config-request}
end
```

**NOTES:**

- **lte-policy** : Creates an instance of an lte-policy for monitoring events configuration.
- **[ no ] congestion-action-profile** : Removes the specified profile from the system.
- **congestion-action-profile** *profile\_name* : Creates an instance of congestion profile for monitoring-events.
- **drop | reject monitoring-event-config-request** : Drops or rejects every new incoming Monitoring Event configuration without any reply.

## Monitoring and Troubleshooting

This section provides information regarding show commands and bulk statistics available to monitor and troubleshoot the Monitoring Events feature.

### Show Commands and Outputs

#### show mme-service statistics

##### show mme-service statistics

The output of this command includes the following fields:

- Loss of connectivity—Indicates the current session statistics of Loss of connectivity event configuration.
- UE Reachability—Indicates the current session statistics of UE Reachability event configurations.
- Location Reporting—Indicates the current session statistics of reporting location event configurations.
- Communication Failure—Indicates the current session statistics of Radio connection status failure events.
- Availability after DDN Failure—Indicates the current session statistics of Availability after DDN Failure event configuration.
- UE Reachability and Idle status indication—Indicates the current session statistics of UE Reachability and Idle status indication event configurations.
- Availability after DDN Failure and Idle Status indication—Indicates the current session statistics of Availability after DDN Failure and Idle Status indication event configuration.
- PDN connectivity status—Indicates that the current session statistics of PDN connectivity status event configuration.




---

**Note** In the StarOS 21.20 and later releases, After the UE Detach procedure, **Total Terminated** and **Total Current Sessions** counters in Statistics are updated only after purge timeout (purge time out + 10% of purge timeout) seconds. Whereas for releases on or before StarOS 21.19, **Total Terminated** and **Total Current Sessions** counters are updated immediately after the successful UE Detach Procedure.

---

**show mme-service statistics-monte**

The output of this command includes the following fields:

**Monitoring Report Config Rx Count**

- Loss of connectivity—Indicates that the number of Loss of connectivity event configuration received.
- UE Reachability—Indicates that the number of UE reachability event configurations received
- Location Reporting—Indicates that the number of reporting location event configurations received.
- Communication Failure—Indicates that the number of Radio connection status failure events received.
- Availability after DDN Failure—Indicates that the number of Availability after DDN Failure event configuration received.
- Number of UE in a geographic area—Indicates the received Number of UEs present in a geographic area event configuration.
  - Progress—Indicates the number of ‘Number of UE in a geographic area’ events under progress.
  - Pending—Indicates the number of ‘Number of UE in a geographic area’ events queued.
  - Drop—Indicates the number of ‘Number of UE in a geographic area’ events dropped.
- Idle status indication—Indicates that the number of Idle status event configurations received.
- PDN connectivity status—Indicates that the PDN connectivity status event configuration received.

Monitoring Report Config Tx Count: The output includes the following fields:

- Loss of connectivity—Indicates the number of loss of connectivity reports sent.
- UE Reachability—Indicates the number of UE reachability reports sent.
- Location Reporting—Indicates that the number of Location reports sent.
- Communication Failure—Indicates that the number of communication failure reports sent.
- Availability after DDN Failure—Indicates that the number of Availability after DDN Failure reports sent.
- Number of UE in a geographic area—Indicates that the number of UE in a geographical area report responded.
  - Success—Indicates the number of Number of UE in a geographic area event success responses.
  - Failure—Indicates the number of Number of UE in a geographic area event failure responses.
  - Drops—Indicates the number of ‘Number of UE in a geographic area’ event responses dropped
- UE Reachability and idle status indication—Indicates that the number of UE Reachability and idle status indication report sent.
- Availability after DDN Failure and idle status indication—Indicates that the Availability after DDN Failure and idle status indication report sent.
- PDN connectivity status—Indicates that the number of PDN connectivity statuses report sent.

Monitoring Event Configuration Deleted Count: The output includes the following fields:

- Loss of connectivity—Indicates the number of deleted loss of connectivity monitoring events.
- UE Reachability—Indicates the number of deleted UE Reachability monitoring events.
- Location Reporting—Indicates the number of deleted location reporting monitoring events.
- Communication Failure—Indicates the number of deleted communication failure monitoring events.
- Availability after DDN Failure—Indicates number of deleted availability after DDN failure monitoring events.
- UE Reachability and idle status indication—Indicates the number of deleted UE reachability and idle status indication monitoring events.
- PDN connectivity status—Indicates the number of deleted pdn connectivity status monitoring events.
- ULA received without monte cfg—Indicates the number of deleted monitoring events configurations when ULA received with updated set of configurations.
- HSS update received with different scsf ref id—Indicates the number of deleted monitoring events with HSS update received with different SCEF Reference Id.
- HSS update received with same scsf ref id—Indicates the number of deleted monitoring events with HSS update received with same SCEF Reference Id.

Monitoring Event Roaming statistics: The output includes the following fields:

- CIR sent —Indicates the number of CIR messages sent for roaming subscribers.
- CIA received—Indicates the number of CIA message received from roaming subscribers.
- CIR timeout—Indicates the CIR timeout value if there is no response for the CIR messages sent.
- RIR sent—Indicates the number of RIR messages sent for roaming subscribers.
- CIR denied by IWK-SCEF—Indicates the number of CIR messages denied through IWK-SCEF.

## show lte-policy monitoring-event-profile

### Monitoring Event Profile mon

The output of this command includes the following fields:

- Loss of connectivity—Indicates the enabled events of Loss of connectivity event configuration.
- UE Reachability—Indicates the enabled events of UE Reachability event configurations.
- Location Reporting—Indicates the enabled events of reporting location event configurations.
- Communication Failure—Indicates the current session statistics of Radio connection status failure events.
- Availability after DDN Failure—Indicates the current session statistics of Availability after DDN Failure event configuration.
- Idle Status Indication Failure—Indicates the enabled events of Idle status indication event configurations.

- PDN Connectivity Status Report—Indicates that the enabled events of PDN connectivity status event configuration.
- Number Of UE's in Geo Area—Indicates the received Number of UEs present in a geographic area event configuration
- Roaming Support—Indicates whether roaming support is enabled or disabled for Interworking SCEF destination host or realm.

## Bulk Statistics

This section provides information on the bulk statistics for the Monitoring Events feature on MME.

### MME Schema

The following bulk statistics are included in the MME Schema to track overall statistics:

Counters	Description
monitored-subscribers	The current total number of monitored subscribers for monitoring events.
monitored-loss-of-connectivity	The current total number of loss of connectivity events configured.
monitored-ue-reachability	The current total number of UE reachability events configured.
monitored-location-reporting	The current total number of location reporting events configured.
monitored-communication-failure	The current total number of communication failure events configured.
monitored-availability-after-ddn-failure	The current total number of availability after DDN failure events configured.
monitored-availability-after-ddn-failure-idleind	The current total number of availability after DDN failure and idle status indication events configured.
monitored-ue-reachability-idleind	The current total number of UE reachability and idle status indication events configured.
monitored-pdn-connectivity-status	The current total number of PDN connectivity status events configured.
monite-rx-loss-of-connectivity	The total number of loss of connectivity monitoring events configured.
monite-rx-ue-reachability	The total number of UE reachability monitoring events configured.
monite-rx-location-reporting	The total number of location reporting monitoring events configured.
monite-rx-communication-failure	The total number of communication failure monitoring events configured.
monite-rx-availability-after-ddnfailure	The total number of availability after DDN failure monitoring events configured.

Counters	Description
monte-rx-number-of-ue-geoarea	The total number of UEs present in a geographical area monitoring events configured.
monte-rx-uereachability-idleind	The total number of UE reachability and idle status indication monitoring events configured.
monte-rx-availability-ddnfailure-idleind	The total number of availability after DDN failure and idle status indication monitoring events configured.
monte-rx-pdn-connectivity-status	The total number of PDN connectivity status monitoring events configured.
monte-tx-loss-of-connectivity	The total number of loss of connectivity monitoring reports sent.
monte-tx-ue-reachability	The total number of UE Reachability monitoring reports sent.
monte-tx-location-reporting	The total number of location reporting monitoring reports sent.
monte-tx-communication-failure	The total number of communication failure monitoring reports sent.
monte-tx-availability-after-ddnfailure	The total number of availability after DDN failure monitoring reports sent.
monte-tx-number-of-ue-geoarea	The total number of number of UEs present in a geographical area monitoring reports sent.
monte-tx-uereachability-idleind	The total number of UE reachability and idle status indication monitoring reports sent.
monte-tx-availability-ddnfailure-idleind	The total number of availability after DDN failure and idle status indication monitoring reports sent.
monte-tx-pdn-connectivity-status	The total number of PDN connectivity status monitoring reports sent.
monte-del-ue-reachability	The total number of deleted UE Reachability monitoring events.
monte-del-location-reporting	The total number of deleted location reporting monitoring events.
monte-del-communication-failure	The total number of deleted communication failure monitoring events.
monte-del-availability-after-ddn-failure	The total number of deleted availability after DDN failure monitoring events.
monte-del-uereachability-idleind	The total number of deleted UE reachability and idle status indication monitoring events.
monte-del-availability-ddnfailure-idleind	The total number of deleted availability after DDN failure and idle status indication monitoring events.
monte-del-pdn-connectivity-status	The total number of deleted PDN connectivity status monitoring events.
monte-del-loss-of-connectivity	The total number of deleted loss of connectivity monitoring events.



# CHAPTER 42

## Excluding SGWs During Relocation Procedures

- [Feature Summary and Revision History, on page 493](#)
- [Feature Description, on page 494](#)
- [Configuration to Exclude SGWs During Relocation Procedures, on page 494](#)
- [Monitoring and Troubleshooting, on page 494](#)

### Feature Summary and Revision History

#### Summary Data

Applicable Product(s) or Functional Area	MME
Applicable Platform(s)	<ul style="list-style-type: none"> <li>• ASR 5500</li> <li>• VPC-DI</li> <li>• VPC-SI</li> </ul>
Default Setting	Enabled - Always on
Related Changes in This Release	Not Applicable
Related Documentation	<ul style="list-style-type: none"> <li>• <i>Command Line Interface Reference</i></li> <li>• <i>MME Administration Guide</i></li> <li>• <i>Statistics and Counters Reference</i></li> </ul>

#### Revision History

Revision Details	Release
First introduced.	21.12.2

## Feature Description

MME is enabled to exclude SGW during SGW relocation procedures. When an entry is configured with exclude option it will not be considered as a target candidate for SGW relocation procedures.

## Configuration to Exclude SGWs During Relocation Procedures

This section provides information on the CLI commands to exclude SGWs during relocation procedures in the MME.

### attach-only

Use the following configuration to exclude the SGWs during relocation procedures.

```
configure
  lte-policy
    tai-mgmt-db tai_mgmt_db_name
    tai-mgmt-obj tai_mgmt_obj_name
    sgw-address ipv4_or_ipv6_address s5-s8-protocol { both | gtp |
pmip } weight weight attach-only
  end
```

#### NOTES:

**attach-only:** Specifies the SGW preference for SGW-relocation.

## Monitoring and Troubleshooting

This section provides information regarding show commands available to monitor and troubleshoot this feature.

### Show Commands and Outputs

```
show lte-policy tai-mgmt-db name
```

The output of this command includes "attach-only".




---

**Note** Show output "attach-only" appears more than once based on the number of times it is configured.

---





## CHAPTER 43

# Foreign PLMN GUTI Management

This feature allows operators to gain some savings on signaling by avoiding DNS request attempts to foreign PLMNs if a foreign PLMN GUTI is not allowed.

- [Feature Description, on page 495](#)
- [How it Works, on page 495](#)
- [Configuring Foreign PLMN GUTI Management, on page 496](#)
- [Monitoring Foreign PLMN GUTI Management, on page 498](#)

## Feature Description

A Foreign PLMN GUTI Management Database can be configured to allow or immediately reject Attach Requests or TAU Requests containing a GUTI from a foreign PLMN. This Foreign PLMN GUTI Management Database contains as many as 16 entries, where each entry consists of a PLMN (MCC and MNC) and an action, which can either be Allow or Reject. If the action is Reject, the MME will not perform any DNS requests to locate a peer MME or SGSN to which any foreign GUTI from that foreign PLMN maps.

## How it Works

When an Attach Request or TAU Request containing a foreign GUTI is received, the MME must first determine if the GUTI's PLMN matches either the MME's own PLMN or one of the MME's shared PLMNs. If such a match is found, the foreign GUTI belongs to a local PLMN, no foreign PLMN check is made, and a DNS request for a peer MME or SGSN may be made as the request is processed normally. If the GUTI's PLMN does not match either the MME's own PLMN or one of the MME's shared PLMNs, the foreign GUTI belongs to a foreign PLMN and the MME Service is checked for an association to a Foreign PLMN GUTI Management Database. If there is no such association, all Attach Requests and TAU Requests containing foreign GUTIs from foreign PLMNs are allowed to be processed, and a DNS request for a peer MME or SGSN may be made.

If an association to a Foreign PLMN GUTI Management Database is present, the database is checked for a matching foreign PLMN. If no match is found, the MME continues processing the Attach Request or TAU Request, and a DNS request may be made. If a match is found, the action specified for the foreign PLMN (either Allow or Reject) is applied. If the action is Reject, and the request is a TAU Request, a TAU Reject message is sent immediately with cause code 9 (UE Identity cannot be derived by the network), and no DNS lookup is performed to find a peer MME or SGSN. If the action is Reject, and the request is an Attach Request, the MME sends a NAS Identity Request to the UE to determine its IMSI, and no DNS lookup is performed

to find a peer MME or SGSN. If the action is Allow, the MME continues processing the Attach Request or TAU Request, and a DNS request may be made.

If a TAU Request containing a foreign GUTI is rejected due to its PLMN being present in the Foreign PLMN GUTI Management Database, the mme-foreign-plmn-guti-rejected session disconnect reason will be incremented.

Similarly, the emmdisc-foreignplmnreject bulk statistic counter, which tracks the number of times this disconnect reason, is incremented..

## Configuring Foreign PLMN GUTI Management

This section explains the configuration procedures required to enable this feature.

### Creating a Foreign PLMN GUTI Management Database

A Foreign PLMN GUTI Management Database is configured as part of the LTE Policy configuration mode.

```
config
  lte-policy
    foreign-plmn-guti-mgmt-db fguti_db_name
  end
```

Up to four Foreign PLMN GUTI Management Databases can be configured.

To delete an existing database, in the lte-policy mode include the **no** prefix with the command. You need to identify the database to be deleted.

```
no foreign-plmn-guti-mgmt-db fguti-dbl
```

### Configuring Foreign PLMN GUTI Management Database Entries

A Foreign PLMN GUTI Management Database entry consists of an MCC, an MNC, and an action (either Allow or Reject). The following example creates two entries:

```
configure
  lte-policy
    foreign-plmn-guti-mgmt-db db_name
      plmn mcc 123 mnc 456 allow
      plmn mcc 321 mnc 654 reject
    end
```

The **any** keyword may be used as a wildcard in place of both the MCC and MNC values, or in place of an MNC value with a specific MCC value. In other words, the following commands are allowed:

```
plmn mcc 123 mnc any allow
plmn mcc any mnc any reject
```




---

**Important** The examples listed above are only to understand the significance of the keyword **any**. The examples do not suggest any particular order of configuration.

---

However, a wildcard MCC is not allowed with a specific MNC value. For example, the following command is not allowed:

```
plmn mcc any mnc 456 allow
```

It is strongly recommended that a Foreign PLMN GUTI Management Database contain an **mcc any mnc any** entry in order to define the default behavior when a GUTI with an unknown MCC / MNC combination is received. If such an entry is absent, the default behavior will be to allow Attach Requests and TAU Requests with unknown MCC/ MNC combinations, which may result in DNS lookups for peer MMEs and SGSNs. This default behavior would be the same as if there were no Foreign PLMN GUTI Management Database defined.

Up to 16 foreign PLMN entries can be added to a database.

The **no** prefix followed by a PLMN ID removes a specific entry from the database. Refer to the following example:

```
no plmn mcc 123 mnc 456
```

## Associating an MME Service with a Foreign PLMN GUTI Management Database

An MME Service can be associated with a database using the **associate foreign-plmn-guti-mgmt-db** command in MME Service Configuration mode.

```
configure
context ctxt_name
  mme-service mme_svc
    associate foreign-plmn-guti-mgmt-db db_name
  end
```

Multiple MME Services may be associated with a single Foreign PLMN GUTI Management Database. Because of this, it is not possible to cross-check the PLMNs in the database against an MME Service's own PLMN or its shared PLMNs. However, the MME Service's own PLMN or shared PLMNs will never be checked against the Foreign PLMN GUTI Management Database, regardless of whether those PLMNs are configured in the database or not. In other words, any Attach Request or TAU Request containing a GUTI from the MME Service's own PLMN or one of its shared PLMNs will always be processed, and may result in a DNS lookup for a peer MME or SGSN.

The association can be removed using the following command:

```
no associate foreign-plmn-guti-mgmt-db
```

## Verifying the Configuration

Use the following command to display the list of Foreign PLMN GUTI Management databases configured on the system:

```
show lte-policy foreign-plmn-guti-mgmt-db summary
```

Use the following command to display the entries configured within a specific Foreign PLMN GUTI Management Database:

```
show lte-policy foreign-plmn-guti-mgmt-db name fguti-db1
Foreign PLMN GUTI Mgmt DB fguti-db1
  PLMN mcc 123 mnc 456 allow
  PLMN mcc 321 mnc 654 reject
```

```

PLMN mcc any mnc any reject
PLMN mcc 123 mnc any allow

```

Use the following command to display the Foreign PLMN GUTI Management database to which an MME Service has been associated:

```
show mme-service name mme_svc_name
```

Refer to the Foreign-PLMN-GUTI-Mgmt-DB field in the output, as shown here:

```
Foreign-PLMN-GUTI-Mgmt-DB          : fguti-dbl
```

## Monitoring Foreign PLMN GUTI Management

This section provides information on how to monitor the Foreign PLMN GUTI Management feature.

### Show Command(s) and/or Outputs

This section provides information regarding show commands and/or their outputs relating to this feature.

#### show session disconnect-reasons

If a TAU Request containing a foreign GUTI is rejected due to its PLMN being present in the Foreign PLMN GUTI Management Database, the following session disconnect reason is incremented.

- mme-foreign-plmn-guti-rejected(534)

## Bulk Statistics

#### MME Schema

The following statistic is included in the MME Schema in support of the Foreign PLMN GUTI feature:

- emmdisc-foreignplmnreject

This statistic increments when an Attach or TAU request containing a foreign GUTI is rejected due to restrictions set in the Foreign PLMN GUTI Management Database.

#### System Schema

The following statistic is also included in the System Schema in support of the Foreign PLMN GUTI feature:

- disc-reason-534: mme-foreign-plmn-guti-rejected(534)

This statistic increments when a session is disconnected due to the restrictions set in the Foreign PLMN GUTI Management Database.



## CHAPTER 44

# GMLC Interworking Support

- [Feature Summary and Revision History](#), on page 499
- [Feature Description](#), on page 500
- [GMLC Interworking Support Configuration](#), on page 500
- [Monitoring and Troubleshooting](#), on page 500

## Feature Summary and Revision History

### Summary Data

Applicable Product(s) or Functional Area	MME
Applicable Platform(s)	<ul style="list-style-type: none"><li>• ASR 5500</li><li>• VPC-DI</li><li>• VPC-SI</li></ul>
Feature Default	Enabled - Configuration Required
Related Changes in This Release	Not applicable
Related Documentation	<ul style="list-style-type: none"><li>• <i>Command Line Interface Reference</i></li><li>• <i>MME Administration Guide</i></li></ul>

### Revision History

Revision Details	Release
First introduced.	21.14

## Feature Description

MME supports standard 3GPP defined GMLC interworking for location service. Last known location information is now sent when detach and no paging available state.

When the UE is in detached state or not-reachable state and the CLI is configured for the respective state(s) along with the experimental result code, the last known location info AVP's viz., "Location-Estimate, EUTRAN-Positioning-Data, ECGI and Age-Of-Location-Estimate (if the age is greater than 60 seconds)" will be sent.

## GMLC Interworking Support Configuration

This section documents configuration of GMLC Interworking Support related functionality.

### Including Experimental Result Code in PLA

Use the following configuration to Include experimental result code in PLA.

```
configure
  context context_name
    location-service service_name
      pla ue-state { detached | not-reachable } send
  experimental-result-code experimental_result_code
    no pla ue-state { detached | not-reachable } send
  experimental-result-code
  end
```




---

**Important** If there is any connection issue and PLA is not sent between SLG peer and MME, in that case if the UE is in detached or not reachable state and CLI for the experimental result code is configured, MME may not encode the experimental result code and the other AVP's in the PLA response message.

---

Notes:

- **detached**: Specifies the UE disconnecting.
- **not-reachable**: Specifies no paging response.
- **send experimental-result-code experimental\_result\_code**: Sends the result code value to be encoded in PLA depending on ue-state when PLR is received with GMLC Location type set to "Current/Last Known Location". *experimental\_result\_code* must be an integer from 1000 to 6000.
- **no**: Disables the inclusion of experimental result code in PLA.

## Monitoring and Troubleshooting

The following section describes commands available to monitor GMLC Interworking Support on the MME.

## Show Commands and Outputs

### **show location service**

A new show command output "Experimental-Result-Code in PLA: Enabled(UE state not-reachable:4221, Detached:4223)" is added to indicate Experimental Result Code in PLA is enabled or disabled.







## CHAPTER 45

# GTP-C Load and Overload Control on MME

- [Feature Description, on page 503](#)
- [How it Works, on page 505](#)
- [Configuring GTP-C Load and Overload Control on MME, on page 505](#)
- [Monitoring and Troubleshooting the GTP-C Load and Overload Control Feature, on page 508](#)

## Feature Description

Overload of packet core network nodes in the network results in service de-gradation. Overload conditions can occur in various network scenarios. Overload issue can be addressed through improved load distribution over the network.

GTP-C load and overload control feature adds MME support for GTP-C load and overload control mechanism on S11 interface. GTP-C load and overload control is a standard driven (3GPP TS 29.807 V12.0.0 and 3GPP TS 29.274 V d30) feature. For standards compliance information see the Standards Compliance section in this feature chapter.



---

**Important** This feature is license controlled. The "EPC Support for GTP Overload Control" license is required for successfully configuring and enabling this feature. Please consult your Cisco Account Representative for information about the specific license.

---

### GTP-C Overload Issues and Resultant effects

A GTP-C overload occurs when the number of incoming requests exceeds the maximum request throughput supported by the receiving GTP-C entity. The GTP-C is carried over UDP transport, and it relies on the re-transmissions of unacknowledged requests. When a GTP-C entity experiences overload (or severe overload) the number of unacknowledged GTP-C messages increase exponentially and this leads to a node congestion or even node collapse. An overload or failure of a node further leads to an increase of the load on the other nodes in the network and in some cases into a network issue.

Listed below are some examples of GTP-C signaling based scenarios which lead to GTP-C overload:

- A traffic flood resulting from the failure of a network element, inducing a signaling spike.
- A traffic flood resulting from a large number of users performing TAU/RAU or from frequent transitions between idle and connected mode.

- An exceptional event locally generating a traffic spike for example a large amount of calls (and dedicated bearers) being setup almost simultaneously.
- Frequent RAT re-selection due to scattered Non-3GPP (for example, Wi-Fi) coverage or a massive mobility between a 3GPP and Non-3GPP coverage. This may potentially cause frequent or massive inter-system change activities.

GTP-C overload may result in any of the following service impacts:

- Loss of PDN connectivity (IMS, Internet and so on) and associated services.
- Loss of ability to setup and release radio and core network bearers necessary to support services, for example GBR bearers for VoLTE.
- Loss of ability to report to the PGW/PCRF user's information changes, for example location information for emergency services and lawful intercept, changes in RAT or QoS.
- Billing errors which result in loss of revenue.

## Overview

GTP-C load control and overload control are complimentary concepts which can be supported and activated independently on the network. This feature uses the existing EGTPC infrastructure to gather and distribute load and overload control information across session managers. In broad terms GTP-C load control can be described as a preventive action and GTP-C overload control can be described as a corrective action. A GTP-C entity is termed as overloaded when it operates over and above its signaling capacity resulting in a diminished performance (including impacts to handling of incoming and outgoing traffic).

### The advantages of enabling GTP-C load control are listed below:

- Load control allows better balancing of the session load; this prevents an GTP-C overload scenario.
- Load control enables a GTP-C entity (for example SGW or PGW) to send its load information to a GTP-C peer (for example a MME or SGSN, ePDG, TWAN) to adaptively balance the session load across entities supporting the same function (for example SGW cluster) according to their effective load. The load information reflects the operating status of the resources of the GTP-C entity.
- Load control does not trigger overload mitigation actions even if the GTP-C entity reports a high load.

### The advantages of enabling GTP-C overload control are listed below:

- Overload control prevents a GTP-C entity from becoming or being overloaded to gracefully reduce its incoming signaling load by instructing its GTP-C peers to reduce sending traffic according to its available signaling capacity to successfully process the traffic.
- Overload control aims at shedding the incoming traffic as close to the traffic source as possible when an overload has occurred.

### Operational Benefits of GTP-C Load and Overload Control Support on MME:

- Improved load distribution on SGW and PGW this in turn reduces the occurrence of PGW/SGW overload.

- The MME pro-actively advertises its overload information so that the peer nodes SGW/PGW can reduce the traffic.
- The MME can reduce the traffic towards the peer SGW/PGW if they are overloaded.

## Relationships to Other Features

This feature utilizes the existing EGTPC infrastructure to gather and distribute load and overload control information across session managers.

## How it Works

This section describes the detailed working mechanism of this feature.

## Limitations

- APN level load and overload control is not supported

## Standards Compliance

The GTP-C load and overload control feature complies with the following standards:

- 3GPP TS 29.807, version 12.0.0
- 3GPP TS 29.274, version 13.3.0 and beyond

# Configuring GTP-C Load and Overload Control on MME

The following configuration procedures are used to configure the GTP-C load and overload control feature.

## Configuring GTP-C Load or Overload Control Profile

The **associate** command associates or disassociates supportive services and policies with an MME service. New keywords **gtpc-load-control-profile** and **gtpc-overload-control-profile** are introduced in the **associate** command to configure the GTP-C load control profile and GTP-C overload control profile.

```

configure
  context context_name
    mme-service service_name
      associate { { egtp-service egtp_svc_name | egtp-sv-service egtp_sv_svc_name
| foreign-plmn-guti-mgmt-db db_name | gtpc-load-control-profile profile_name
| gtpc-overload-control-profile profile_name | henbgw-mgmt-db db_name |
hss-peer-service hss_svc_name | ipne-service ipne_svc_name | location-service
location_svc_name | lte-emergency-profile profile_name |
network-global-mme-id-mgmt-db | s102-service s102_svc_name [ context
context_name ] | sbc-service sbc_svc_name | sctp-param-template template_name |

```

```

sgs-service sgs_svc_name | sgtpc-service sgtpc_svc_name } [ context ctx_name ]
| subscriber-map map_name | tai-mgmt-db database_name }
    no associate { egtp-service | egtp-sv-service |
foreign-plmn-guti-mgmt-db | gtpc-load-control-profile |
gtpc-overload-control-profile | henbgw-mgmt-db | hss-peer-service |
ipne-service | location-service | lte-emergency-profile |
network-global-mme-id-mgmt-db | s102-service | sctp-param-template |
sgs-service | sgtpc-service | subscriber-map | tai-mgmt-db }

```

**Notes:**

- The keyword **gtpc-load-control-profile** is used to configure GTP-C Load Control Profile for this MME service.
- The keyword **gtpc-overload-control-profile** is used to configure GTP-C Overload Control Profile for this MME service.
- The *profile\_name* is a string of size 1 up to 64.
- These CLI commands are not enabled by default.

## Configuring Usage of GTP-C Load Information in SGW/PGW Selection

The gw-selection command configures the parameters controlling the gateway selection process. A new keyword **gtp-weight** is introduced as a part of this feature which is the weight value calculated from the Load Control Information received from the GTP peers.

```

configure
    call-control-profile profile_name
        [remove] gw-selection {co-location [weight [prefer{ sgw | pgw }]] |
gtp-weight | pgw weight | sgw weight | topology [ weight [ prefer { sgw
| pgw } ] ] }
    exit

```

**Notes:**

- The option enables the MME selection of SGW and PGW based on the advertised load control information.
- This configuration can be applied selectively to subscribers.
- This CLI is not enabled by default.

## Configuring MME Manager and IMSI Manager CPU Utilization to Calculate Overload Factor

This new command allows the user to configure the inclusion of CPU utilization of Session Manager, Demux Manager, IMSI Manager and MME Manager under GTP-C overload control profile for overload factor calculation.

```

configure
    gtpc-overload-control-profile profile_name
        cpu-utilization {sessmgr-card | demuxmgr-card | imsimgr | mmemgr}
    no cpu-utilization

```

```

default cpu-utilization
exit

```

**Notes:**

- The **default** behavior for the above CLI is to include the average CPU utilization of Sessmgr cards and Demuxmgr card in the overload factor calculation.
- The **no** keyword disables the configuration of CPU utilization of Sessmgr/Demuxmgr/IMSImgr/MMEmgr under GTP-C overload control profile for overload factor calculation.
- The keyword **sessmgr-card** configures the inclusion of average cpu-utilization of SessMgr cards for overload factor calculation.
- The keyword **demuxmgr-card** configures the inclusion of average cpu-utilization of Demux Manager card for overload factor calculation.
- The keyword **imsimgr** configures the inclusion of cpu-utilization of IMSIMgr(s) procllet for overload factor calculation.
- The keyword **mmemgr** configures the inclusion of cpu-utilization of MMEMgr(s) procllet for overload factor calculation.

## Sample Configuration

```

configure
  call-control-profile profile_name
    gw-selection topology weight prefer pgw
    gw-selection gtp-weight
  exit
operator-policy name policy_name
  associate call-control-profile profile_name
exit
lte-policy
  subscriber-map map_name
  precedence xmatch-criteria all operator-policy-name policy_name
  exit
exit
context ingress
  mme-service service_name
    bind s1-mme ipv4-address x.x.x.x
    s1-mme sctp port xx
    mme-id group-id xxxxxx mme-code x
    plmn-id mcc xxx mnc xxx
    associate egtp-service egtp_mme context ingress
    associate mme-hss-service mme_hss context hss
    associate subscriber-map map_name
    associate gtpc-load-control-profile profile_name
    associate gtpc-overload-control-profile profile_name
  exit
exit
end

```

## Verifying the Configuration

The configuration of this feature can be verified using the following show commands.

Execute the **show configuration** command to verify the configuration, the part of the output related Call Control Profile displays the following parameters based on the configuration:

- **gw-selection: gtp-weight**

The parameter **gtp-weight** identifies GTP-C load based SGW or PGW selection.

Execute the **show configuration** command to verify the configuration, the part of the output related to MME Service Configuration displays the following parameters based on the configuration:

- **associate gtpc-load-control-profile profile\_name**
- **associate gtpc-overload-control-profile profile\_name**

Execute the **show configuration** command to verify the configuration, the part of the output related to GTP-C overload control profile Configuration displays the following parameters based on the configuration:

- **cpu-utilization: sessmgr-card demuxmgr-card imsimgr memmgr**

The **cpu-utilization** is used to configure the inclusion of CPU utilization of Session Manager, Demux Manager, IMSI Manager and MME Manager under GTP-C overload control profile for overload factor calculation.

# Monitoring and Troubleshooting the GTP-C Load and Overload Control Feature

This section provides information regarding show commands and bulk statistics for this feature.

## Troubleshooting

Listed below are the troubleshooting steps for any issues encountered during configuration or functioning of the GTP-C Load and Overload control feature:




---

**Important** All configuration parameters newly added will be recovered during Session Manager re-starts. The LCI/OCI information of SGW/PGW peer nodes are recovered during Session Manager restarts.

---

### Step 1:

If the CLI commands required to enable the feature are not visible, ensure that the GTP-C Load and Overload feature control license is present and enabled.

### Step 2:

If MME selection of SGW and PGW based on load control information is not working, verify the following:

- Ensure that the load control profile is associated with the MME service, for more information see the section on “Configuring GTP-C Load or Overload Control Profile” in this feature chapter.

- Ensure that the overload control profile is associated with the MME service, for more information see the section on “Configuring GTP-C Load or Overload Control Profile” in this feature chapter.
- Verify if the load and overload feature is associated and feature is enabled, execute the show commands **show mme-service all** and **show egtp-service name** *service\_name*.
- Verify if the MME has started learning the LCI/OCI information from peer nodes using following show commands:

```
show egtpc peers
show egtpc peers sessmgrs
show egtpc peers address x.x.x.x
show egtpc statistics sgw-address x.x.x.x
show egtpc statistics remote-peer-address x.x.x.x
show subscribers summary mme-service service-name sgw-address x.x.x.x
show subscribers summary mme-service service-name pgw-address x.x.x.x
show egtpc statistics egtp-service service-name
```

- Ensure the configuration to consider LCI/OCI information in node selection is enabled. For more information see the section “Configuration to use GTPC load information in SGW/PGW selection” in this feature chapter. Execute the show command **show call-control-profile full all** to verify the same.
- For the GTP dynamic weight (that is, LCI/OCI) to work in case of DNS based node selection, following DNS weight based configuration should be present in the call control profile.

- In case of SGW selection:

```
configure
  call-control-profile profile_name
    gw-selection sgw weight
  end
```

Please refer to the section " DNS SGW selection with Load Control Information" in this feature chapter.

- In case of PGW selection:

```
configure
  call-control-profile profile_name
    gw-selection pgw weight
  end
```

Please refer to the section " DNS PGW selection with Load Control Information" in this feature chapter.

- During Topology based selection:

```
configure
  call-control-profile profile_name
    gw-selection topology [ weight [ prefer { pgw|sgw } ] ]
  end
```

Please refer to the section "Topology" in this feature chapter.

- When Co-location is enabled:

```
configure
  call-control-profile profile_name
```

```

    gw-selection co-location [ weight [ prefer { pgw|sgw } ] ]
end

```

Please refer to the section "Co-location" in this feature chapter.

### Step 3:

If the MME Selection of SGW using DNS does not result in expected session distribution on the SGW.

- Ensure that Steps 1 and 2 are working as explained earlier in this section.
- Collect the data for following show commands at regular intervals of time to observe if the distribution is happening or not:

```

show egtpc peers
show egtpc peers sessmgrs
show egtpc peers address x.x.x.x
show egtpc statistics sgw-address x.x.x.x
show egtpc statistics remote-peer-address x.x.x.x
show subscribers summary mme-service service-name sgw-address x.x.x.x

```

### Step 4:

If the MME Selection of PGW using DNS does not result in expected session distribution on the SGW.

- Ensure that Steps 1 and 2 are working as explained earlier in this section.
- Collect the data for following show commands at regular intervals of time to observe if the distribution is happening or not:

```

show egtpc peers
show egtpc peers sessmgrs
show egtpc peers address x.x.x.x
show egtpc statistics remote-peer-address x.x.x.x
show subscribers summary mme-service service-name pgw-address x.x.x.x
show egtpc statistics egtp-service service-name

```

### Step 5:

If MME Selection of SGW and PGW using topology is not resulting in expected session distribution on SGW/PGW.

- Ensure that Steps 1 and 2 are working as explained earlier in this section.
- Collect the data for following show commands at regular intervals of time to observe if the distribution is happening or not:

```

show egtpc peers sessmgrs
show egtpc peers address x.x.x.x
show egtpc statistics sgw-address x.x.x.x
show egtpc statistics remote-peer-address x.x.x.x
show subscribers summary mme-service service-name sgw-address x.x.x.x
show subscribers summary mme-service service-name pgw-address x.x.x.x
show egtpc statistics egtp-service service-name

```



**Step 6:**

If the MME is not reporting overload control information, follow the steps described below:

- Ensure that Step 1 is working as explained earlier in this section.
- Ensure that the overload control profile is associated with the MME Service. For more information see the section “Configuring GTP-C Load or Overload Control Profile” in this feature chapter.
- Execute the following show commands to verify if the feature is enabled:
  - **show mme-service all**
  - **show egtp-service name egtp\_mme**
- Verify the parameters configured through the commands inclusion-frequency, message- prioritization, overload-control-handling, overload-control-publishing, self-protection-behavior, tolerance, throttling-behavior, validity-period and weightage under the GTPC Overload Profile Configuration Mode. Execute the following show command to verify the same:

```
show gtpc-overload-control-profile profile_name
```





## CHAPTER 46

# GTPV1/V2 Echo Support for Peer MME and SGSN

- [Feature Summary and Revision History, on page 513](#)
- [Feature Description, on page 514](#)
- [Configuring GTPV1/V2 Echo Support for Peer MME and SGSN, on page 514](#)
- [Monitoring and Troubleshooting, on page 515](#)

## Feature Summary and Revision History

### Summary Data

Applicable Product(s) or Functional Area	MME
Applicable Platform(s)	<ul style="list-style-type: none"><li>• ASR 5500</li><li>• VPC-DI</li><li>• VPC-SI</li></ul>
Feature Default	Disabled - Configuration Required
Related Changes in This Release	Not applicable
Related Documentation	<ul style="list-style-type: none"><li>• <i>Command Line Interface Reference</i></li><li>• <i>MME Administration Guide</i></li><li>• <i>Statistics and Counters Reference</i></li></ul>

### Revision History

Revision Details	Release
This feature is fully qualified in this release.	21.18

Revision Details	Release
<p>First introduced.</p> <p><b>Important</b> This feature is not fully qualified in this release, and is available only for testing purposes. For more information, contact your Cisco Account representative.</p>	21.17

## Feature Description

MME supports path management status of MME (S10) and SGSN (Gn/Gp). MME sends and receives GTP V2 Echo Message for Peer Node status in S10 Interface and GTP V1 Echo Message for Peer node status in Gn/Gp Interface. MME sends and receives the Echo message for Configured peer Node in MME regardless of GTP session. When **peer-sgsn echo-params** CLI is enabled under mme-service, MME will initiate Echo to peer Gn/Gp SGSNs configured under mme-service and also to peer SGSNs added/created during 3G-4G/4G-3G Gn/Gp Handover.

Path failure is detected when there is no response to Echo Request even after max retransmissions. Path failure detection is not done based on "Restart counter value change in echo response".

GTP V1 Echo Message is supported in compliance with the 3GPP 29.060 7.2 Path Management Messages operation and GTP V2 Echo Message is supported in compliance with the 3GPP 29.274, 7.1 Path Management Messages operation.

Existing traps SGSNGtpcPathFailure, SGSNGtpcPathFailureClear, EGTPCPathFail, and EGTPCPathFailClear are used by this feature.

## Configuring GTPV1/V2 Echo Support for Peer MME and SGSN

This section provides information on the CLI commands to configure GTPV1/V2 Echo Support for Peer MME and SGSN feature.

### Configuring Path Management for Peer MME

Use the following configuration to configure the path management for Peer MME.

```

configure
  context context_name
    mme-service mme_service_name
      peer-mme echo-params interval interval retransmission-timeout
retransmission_timeout max-retransmissions max_retransmissions reconnect-interval
reconnect_interval
      [ no ] peer-mme echo-params
    end

```

#### NOTES:

- **no**: Removes the path management configuration for peer MME with Gn/Gp capability.
- **peer-mme**: Configures a Peer MME for inter-MME relocations.

- **echo-params** : Configures echo parameters for peer MME with GN/GP capability.
- **interval** *interval*: Configures echo interval in seconds. *interval* must be an integer from 60 to 300.
- **retransmission-timeout** *retransmission\_timeout*: Configures echo retransmission timeout in seconds. *retransmission\_timeout* must be an integer from 1 to 20.
- **max-retransmissions** *max-retransmissions*: Configures maximum retries for echo request. *max-retransmissions* must be an integer from 0 to 15.
- **reconnect-interval** *reconnect\_interval*: Configures echo interval to be used once a peer node is detected to be unreachable. Retransmission is not applicable in this time. *reconnect\_interval* must be an integer from 60 to 86400.

## Configuring Path Management for Peer SGSN

Use the following configuration to configure the path management for Peer SGSN.

```

configure
  context context_name
    mme-service mme_service_name
      peer-sgsn echo-params interval interval retransmission_timeout
retransmission_timeout max-retransmissions max-retransmissions reconnect-interval
reconnect_interval
    no peer-sgsn echo-params
  end

```

### NOTES:

- **no**: Removes the path management configuration for peer SGSN with Gn/Gp capability.
- **echo-params** : Configures echo parameters for peer SGSN with GN/GP capability.
- **interval** *interval*: Configures echo interval in seconds. *interval* must be an integer from 60 to 300.
- **retransmission-timeout** *retransmission\_timeout*: Configures echo retransmission timeout in seconds. *retransmission\_timeout* must be an integer from 1 to 20.
- **max-retransmissions** *max-retransmissions*: Configures maximum retries for echo request. *max-retransmissions* must be an integer from 0 to 15.
- **reconnect-interval** *reconnect\_interval*: Configures echo interval to be used once a peer node is detected to be unreachable. Retransmission is not applicable in this time. *reconnect\_interval* must be an integer from 60 to 86400.

## Monitoring and Troubleshooting

This section provides information regarding show commands available to monitor this feature.

## Show Commands and Outputs

### show mme-service all name

The output of this command includes the following fields:

- PEER MME Echo Parameters :
  - interval
  - retransmission timeout
  - max retransmissions
  - reconnect interval
- PEER GN/GP SGSN Echo Parameters:
  - interval
  - retransmission timeout
  - max retransmissions
  - reconnect interval

### show egtpc statistics

The output of this command includes the following fields:

Path Management Messages:

PEER MME Echo Request

- Total TX
- Initial TX
- Retrans TX

PEER MME Echo Response:

- Total RX

### show egtpc peers mme

```

+----Status:      (D) - Dead      (A) - Alive
|
|+----IP Type:    (S) - Static  (D) - Dynamic
|| Service      Echo Req      Echo Req      Echo Rsp
vv  ID          Peer Address  Time of Creation  Sent      Retransmitted  Received
-----

```

Total Peers:

### Show sgtpc statistic

Path Management Messages:

## Echo Request:

```

Total Echo-Req TX:      Total Echo-Req RX:
Initial Echo-Req TX:   Initial Echo-Req RX:
Retrans Echo-Req TX:

```

## Echo Response:

```

Total Echo-Rsp TX:      Total Echo-Rsp RX:

```

**show sgtpc peers**

Path Status	Service ID	Peer Address	Echo Req Sent	Echo Req Retransmitted	Echo Rsp Received
----	---	-----	-----	-----	-----







## CHAPTER 47

# GUTI Re-allocation

- [Feature Description, on page 519](#)
- [How It Works, on page 519](#)
- [Configuring GUTI Re-allocation, on page 521](#)
- [Monitoring and Troubleshooting GUTI Re-allocation, on page 521](#)

## Feature Description

### Overview

The Globally Unique Temporary Identity (GUTI) is assigned to the UE by the MME the GUTI is used to support subscriber identity confidentiality. The GUTI has two parts, the Globally Unique Mobility Management Entity Identifier (GUMMEI), which identifies the network, and the M-TMSI, which identifies the device. This feature enables GUTI Re-allocation for an UE based on time and frequency of access attempts per UE.

### How It Works

The MME currently performs GUTI allocation during UE attaches. The GUTI once allocated is retained until the DB associated with the UE is purged. This feature introduces MME support to perform GUTI Reallocation for securing the TMSI allocated to UE. GUTI Reallocation is triggered based on configured frequency of access attempts or periodicity.

A configured frequency of "n" requests triggers GUTI Reallocation for every "nth" ATTACH / TAU / SERVICE REQUEST received from the UE. Here 'n' is the sum of the received ATTACH / TAU/ SERVICE Request. A configured periodicity of "t" minutes triggers GUTI Reallocation at every "t" minutes for a UE.

The frequency-based GUTI reallocation is independent of the configured periodicity. However, periodicity-based GUTI reallocation attempts are relative to the last attempted UE GUTI Reallocation time. The last attempted GUTI Reallocation time for a UE is updated whenever a GUTI Reallocation for a UE is attempted irrespective of the trigger (frequency/periodicity).

The MME initiates GUTI Reallocation only if the NAS signaling connection with the UE is present. If the NAS signaling connection is not present the UE shall not be paged. If the NAS signaling connection with the UE is absent, GUTI reallocation is performed whenever the NAS signaling connection with the UE is established.




---

**Note** GUTI Reallocation is not triggered when UE is always in connected mode as, GUTI Reallocation based on periodicity is performed only when the either Attach, periodic TAU, Service request is received by MME and the configured periodicity time has been reached. For a UE that is always in connected mode neither of these events occur. The session are not disturbed during GUTI Reallocation, idle-active transitions are a frequent occurrence in the network, therefore GUTI Reallocation should happen for most UE's at the configured periodicity/frequency during service request procedure.

---

The Reallocated GUTI is sent in the NAS Attach Accept, NAS TAU Accept and NAS GUTI Relocation Command messages.

## Limitations

The MME does not perform GUTI Reallocation if the subscriber is marked for offload or if the subscriber is executing an outbound handover procedure.

The GUTI reallocation retries for UE's which do not adhere to specifications is limited by the MME. MME detaches such UEs after "10" consecutive failure attempts of GUTI Reallocation. This behavior and number of consecutive failures to trigger detach is not configurable.

The **frequency** and **periodicity** configured to trigger authentication/GUTI reallocation requires the new session setup message (NAS Attach/TAU) to be processed by the Session Manager instance which has the corresponding MME DB for the subscriber. If the MME DB is not available the **frequency** and **periodicity** triggers will not work. For example, if the mobile identifier in the NAS Attach/TAU message is a foreign GUTI and additional GUTI is not present, the MME does not trigger authentication/GUTI reallocation for the subscriber based on frequency/periodicity.

Reallocated GUTI is not sent in TAU accept for TAU with type TA Update. In this scenario, once the frequency criteria for TAU is met, GUTI reallocation is performed on receiving the next periodic TAU or Service request. This to prevent the case where, TAU complete for an TAU accept with Reallocated GUTI is not received by MME. Wherein upon receiving a paging trigger, MME needs to page the UE in both the TAI lists (before and after TAU) with both the GUTI (previous and reallocated). In the case of SGSN, paging message is sent to the RNC with acknowledged PTMSI and unacknowledged (reallocated) PTMSI. However paging is sent only for the current RAI. Similarly in the case of MME, MME has to send paging message to the eNodeB's with acknowledged GUTI and unacknowledged GUTI (reallocated). But paging needs to be sent in both current TAI list and previous TAI list.

## Flows

The following diagram illustrates the messages exchanged during network-initiated GUTI re-allocation:

Figure 44: GUTI Re-allocation



1. The MME sends GUTI REALLOCATION COMMAND message to the UE. The time duration for the T3450 timer starts. This timer starts when the MME initiates a Globally Unique Temporary Identifier (GUTI) reallocation procedure by sending a GUTI REALLOCATION COMMAND message to the UE and stops upon receipt of the GUTI REALLOCATION COMPLETE message.
2. The UE sends a GUTI REALLOCATION COMPLETE message to the MME on completion of the GUTI Re-allocation procedure. The T3450 timer stops once the MME receives the GUTI REALLOCATION COMPLETE message.

## Configuring GUTI Re-allocation

The following configuration command is used to configure the periodicity (time interval) / frequency of GUTI Re-allocation for a UE:

```

config
  call-control-profile <profile_name>
    [ remove ] guti reallocation [ frequency <frequency> | periodicity
    <duration> ]
  end
  
```

Notes:

- The keyword **guti** identifies the Globally Unique Temporary UE Identity (GUTI).
- The keyword **reallocation** specifies reallocation of GUTI.
- The **frequency** configured specifies the GUTI reallocation frequency. The frequency is an integer with a range "1" up to "65535" requests.
- The **periodicity** configured specifies GUTI reallocation periodicity. The periodicity is an integer with a range "1" up to "65535" minutes.
- GUTI reallocation is disabled by default. The **remove** keyword is used to remove the configured GUTI reallocation frequency and periodicity specified in the call control profile configuration.

## Monitoring and Troubleshooting GUTI Re-allocation

This section provides information regarding show commands and/or their outputs in support of the GUTI reallocation feature in MME.

## GUTI Re-allocation Show Command(s) and/or Outputs

### show call-control-profile full all

The following new fields are added to the show output to display the configured GUTI Reallocation parameters:

- GUTI Reallocation
- GUTI Reallocation Frequency
- GUTI Reallocation Periodicity

### show session disconnect-reasons verbose

The following new disconnect reason is added for GUTI Reallocation:

- mme-guti\_realloc\_failed-detach

### show mme-service statistics

The following new fields are added to the show output to display the configured GUTI Reallocation parameters:

- GUTI Reallocation
- Attempted
- Failures
- Success
- GUTI Reallocation
- Attach Accept
- Retransmission
- TAU Accept
- Retransmission
- GUTI Reallocation cmd
- Retransmission

Below is an example displaying the EMM Statistics listed above:

```
EMM Statistics:
. . .
GUTI Reallocation:
Attempted           : 176807
Success            : 176691
Failures           : 116
```

Below is an example displaying the Total EMM Control Messages listed above:

```
Total EMM Control Messages::
. . .
GUTI Reallocation:
Attach Accept:    180094           Retransmissions: 0
TAU Accept:      892098           Retransmissions: 0
GUTI Reallocation Cmd: 389986     Retransmissions: 0
```

### show mme-service db record all

The following new field is added to the show output to display the configured GUTI Reallocation parameters:

- REALLOCATED GUTI

## show mme-service db record imsi

The following new fields are added to the show output to display the configured GUTI Reallocation parameters:

- REALLOCATED GUTI
- PLMN
- MME Group ID
- MME Code
- M-TMSI
- GUTI Allocated time

Below is an example displaying the statistics listed above:

```

show mme-service db record imsi 123456710100158
Friday September 18 09:25:19 EDT 2015
DB RECORD
=====
Sessmgr Instance                               : 1
Imsmgr Instance                               : 1
MME Service                                     :
mmesvc
Lookup Keys
-----
IMSI                                         :
123456710100158
Service-id                                 : 7
GUTI
  PLMN                                         : 123456
  MME Group ID                               : 32777
  MME Code                                   : 2
  M-TMSI                                     : 3221491713
REALLOCATED GUTI
  PLMN                                         : 123456
  MME Group ID                               : 32777
  MME Code                                   : 2
  M-TMSI                                     :
3221491713
Call-ID                                         : 00004e62
GUTI Allocated time                           : Fri Sep 18 08:29:16
2015

```

## GUTI Re-allocation Bulk Statistics

The following bulk statistics are included in the MME Schema in support of this feature:

The following bulk statistics are included in the MME Schema in support of this feature:

- emm-msgtx-guti-reallocation
- emm-msgtx-guti-reallocation-retx
- emm-msgtx-guti-realloc-attach-accept
- emm-msgtx-guti-realloc-attach-accept-retx
- emm-msgtx-guti-realloc-tau-accept
- emm-msgtx-guti-realloc-tau-accept-retx
- guti-reallocation-attempted
- guti-reallocation-success
- guti-reallocation-failure

For descriptions of these variables, see "MME Schema Statistics" in the *Statistics and Counters Reference*.



## CHAPTER 48

# Heuristic and Intelligent Paging

This chapter describes the advanced paging features of the MME.

- [Feature Description, on page 525](#)
- [How It Works, on page 526](#)
- [Configuring MME Paging Features, on page 527](#)
- [Monitoring and Troubleshooting the MME Paging Features, on page 529](#)

## Feature Description

A valid license key is required to enable heuristic and intelligent paging. Contact your Cisco Account or Support representative for information on how to obtain a license.

The MME supports two levels of paging optimization to minimize the paging load in the E-UTRAN access network:

### • Heuristic Paging

Paging is a shared resource with a finite capacity in the radio access network. When a request for an idle mode access terminal is received by the S-GW, the MME floods the paging notification message to all eNodeBs in the Tracking Area List (TAI). A network has several million customers and hundreds of eNodeBs in the TAI. If each subscriber receives a page during peak network traffic hour, more than a million number of paging messages are generated per second. In order to prevent this scenario, Heuristics or Idle-mode paging is introduced. This optimized paging feature reduces network operations cost through more efficient utilization of paging resources and reduced paging load in the E-UTRAN access network. In heuristics paging the MME keeps track of the eNodeB to which the UE most commonly attaches or was previously connected to and only pages those eNodeBs before paging the TA or TA (Tracking Area) list, thus reducing the signaling otherwise associated with continuous paging.

When heuristics paging is enabled, MME selects the paging profile based on the APN profile, if paging-profile with matching APN profile name is fetched from the APN information corresponding to the EBI received in DDN is configured in the paging-map. If the incoming DDN does not have the EBI information then the APN information is received from the bearers stored in the MME for the UE. If multiple APN information is available then the mapping with the highest precedence is picked. MME warns the user of duplicate APN profile names in a given entry. The same APN profile name cannot be configured with more than one precedence level.

### • Intelligent Paging

Intelligent Paging further optimizes heuristic paging to allow operators to specify different paging profiles for different streams of traffic (CS or PS traffic types). Each paging profile provides the flexibility to control the pace, volume and type of paging requests sent to eNBs.

## How It Works

### Heuristic Paging

Each MME maintains a list of "n" last heard from eNodeBs for the UE. The intent is to keep track of the eNodeBs that the AT commonly attaches to such as the cells located near a person's residence and place of work. During the average day, the typical worker spends the most time attaching to one of these two locations.

Using Heuristic Paging, the MME attempts to page the user in stages as described in the "Heuristic Paging Behavior" section that follows.

#### Default (Non-Heuristic) Paging Behavior

The MME pages all eNodeBs in all TAIs present in the TAI list assigned to the UE.

The number of paging retries attempted for Packet Switch (PS) calls is dictated by the **max-paging-attempts** command under the mme-service configuration. If no configuration exists then by default 3 retries are attempted.

The timeout duration for each retry is dictated by the **t3413-timeout** keyword in the **emm** command under the mme-service configuration mode. If the keyword is not configured, the default value of 6 seconds is used.

For Circuit Switch (CS) calls, the MME sends only one paging attempt, regardless of the configuration of the **max-paging-attempts** command.

#### Heuristics Paging Behavior

If heuristics paging is enabled for the mme-service the following heuristics paging behavior is observed:

1. Page the last eNodeB from which the UE contacted the MME in the last TAI from which the UE contacted the MME.
2. Page all eNodeBs in the last TAI from which the UE contacted the MME.
3. Page all eNodeBs in all TAIs present in the TAI list assigned to the UE.

When heuristic paging is enabled, the MME tracks the last TAI from which the UE contacted the MME and the last eNodeB from which the UE contacted the MME. Heuristic paging is disabled by default.

When Heuristic Paging is enabled, it applies only to messages sent to all eNodeBs in all TAIs present in the TAI list. Paging to the last known eNodeB and paging the TAI from which the UE was last heard is attempted only once. As a result, when **max-paging-attempts** is set to 3, a maximum of 5 paging retries are attempted with Heuristic Paging enabled



#### Important

For paging requests for circuit switch (CS) calls, the MME does not follow this staged paging behavior. Instead, it follows the standards-defined paging mechanism of paging all eNodeBs in all TAIs present in the TAI list assigned to the UE (all-enb-all-tai). Only one attempt is made with no retries.



## Intelligent Paging

With Intelligent Paging, the MME can be configured with paging profiles which define different stages of paging (paging maps). These controls determine whether the MME sends a paging-request to either the last TAI or all TAIs. In addition, these controls determine whether the MME sends the paging request to just one eNodeB, a specific number of eNodeBs, or to all eNBs. This enables the MME to control the span and reach of each paging request.

Two modules, configurable under the LTE Policy configuration mode, are introduced to support intelligent paging:

- **Paging-profile** -- This module allows operator to configure different stages of paging in the order of desired execution with parameters that control the pace, volume and behavior of a given paging stage.
- **Paging-map** -- This module allows operator to apply different 'paging-profiles' to different traffic types. When MME service is associated with an instance of this module, MME checks this map object to figure the type of paging-profile to adopt for a given paging trigger.



### Important

If the MME is associated with a paging-map object that either does not exist or does not have an entry matching the paging-trigger, the MME performs paging as described in *Default Heuristics Paging Behavior*.

## Configuring MME Paging Features



### Important

Use of these Paging features require that a valid license key be installed. Contact your local Sales or Support representative for information on how to obtain a license.

## Configuring Heuristic Paging

The example configuration in this section allows the MME to perform heuristic (optimized), idle-mode paging, reducing the number of messages carried over the E-UTRAN access network.

The following configuration example enables heuristic (optimized) paging on the MME:

```
configure
context <mme_context_name>
  mme-service <mme_svc_name>
    heuristic-paging
  end
```

## Configuring Intelligent Paging

The following sections provide configuration examples to enable intelligent paging on the MME:

**Step 1** Create and configure a **paging-profile**.

- Step 2** Create and configure a **paging-map**.
- Step 3** Enable heuristic paging and assign a paging-map to a specific mme-service.

## Creating and Configuring the Paging-Profile

A paging-profile enables operators to configure different stages of paging in the order of desired execution with parameters that control the pace, volume and behavior of a given paging stage.

The following configuration example creates two paging-profiles in the lte-policy configuration mode:

```
configure
  lte-policy
    paging-profile <paging_profile_name1 > -noconfirm
      paging-stage 1 match-criteria all action all-enb-all-tai
t3413-timeout 5 max-paging-attempts 4
    exit
    paging-profile <paging_profile_name2 > -noconfirm
      paging-stage 1 match-criteria all action last-n-enb-last-tai
max-n-enb 1 t3413-timeout 5 max-paging-attempts 1
      paging-stage 2 match-criteria all action all-enb-last-tai
t3413-timeout 5 max-paging-attempts 1
    end
```

## Creating and Configuring the Paging-Map

A paging-map enables operators to apply different paging-profiles to different traffic types. When an MME service is associated with an instance of this module, the MME checks this map object to figure the type of paging-profile to adopt for a given paging trigger.

The following configuration creates a paging-profile in the LTE Policy configuration mode:

```
configure
  paging-map <paging_map_name > -noconfirm
    precedence 1 traffic-type { cs | ps } paging-profile paging_profile_name
  end
```

The paging-map configuration includes additional configuration options for selecting a paging-profile in order to control the pace, volume and behavior of a given paging state. Within a paging map, precedence can be defined for paging requests based on the following traffic types:

- CS traffic (circuit-switched traffic for Mobile Terminated CSFB) type can be defined according to specific subtypes of **voice**, **sms**, and **other**.
- PS traffic (packet-switched traffic for all data and control messaging that involve packet services as well as IMS Voice) type can be qualified using a set of QCI values or ARP values or APN profile names. These qualified entries are only used for paging triggered by S11 Downlink Data Notifications or Create Bearer Request or Update Bearer Request.
- **Signaling** (UE-level signaling requests) traffic types can also be defined. This option can be further qualified with the **Detach** and **LCS** (Location Services) traffic subtype options.

These options are shown in the following **precedence** command syntax:

```
precedence precedence traffic-type { cs [ voice | sms | other ] | ps [ qci
qci_value ] | signaling [ detach | lcs ] } paging-profile paging_profile_name
```

The **precedence** command has been enhanced as follows:

```
precedence priority traffic-type { cs [ other | sms | voice ] | ps [
apn-profile profile_name | arp arp_value | qci qci_value ] | signaling [ detach
| idr | lcs | node-restoration ] } paging-profile paging_profile_name
```

The paging profile with the highest precedence is selected when QCI, ARP and APN Profile, all are configured in the paging-map. If no QCI, ARP and APN-Profile specific mapping exists then the default 'PS' traffic type configuration in the paging-map will be picked and the paging-profile corresponding to that mapping is used. If a paging trigger is received while a paging procedure is on-going, and if the new paging trigger has a higher precedence (considering QCI, ARP or APN-profile configuration mapping) then the paging-profile corresponding to that will be used in the next paging retry. One precedence level can be configured with only one of, QCI or ARP or APN-Profile name, at any point of time.

Refer to the *LTE Paging Map Configuration Commands* chapter of the *Command Line Interface Reference* for more information about this command.

## Enable Heuristic Paging with Paging-Map (Intelligent Paging)

The following example enables heuristic-paging and associates a paging-map to the specified MME service.

```
configure
  context <mme_context_name> -noconfirm
    mme-service <mme_svc_name> -noconfirm
      heuristic-paging paging-map paging_map_name
    end
```

## Verifying the Paging Configuration

The following command displays the entire paging configuration for the MME service.

```
show mme-service all
```

The output of the above command will be similar to the following:

```
show mme-service name mmesvc1
Heuristic Paging      : Enabled
Heuristic Paging Map  : pgmap1
```

## Monitoring and Troubleshooting the MME Paging Features

For more information regarding bulk statistics and output fields and counters in this section, refer to the *Statistics and Counters Reference*.

### Paging Bulk Statistics

The following bulk statistics are included in the MME Schema to track paging events:

- ps-qci-1-paging-init-events-attempted
- ps-qci-1-paging-init-events-success
- ps-qci-1-paging-init-events-failures
- ps-qci-1-paging-last-enb-success

- ps-qci-1-paging-last-tai-success
- ps-qci-1-paging-tai-list-success
- ps-qci-2-paging-init-events-attempted
- ps-qci-2-paging-init-events-success
- ps-qci-2-paging-init-events-failures
- ps-qci-2-paging-last-enb-success
- ps-qci-2-paging-last-tai-success
- ps-qci-2-paging-tai-list-success
- ps-qci-3-paging-init-events-attempted
- ps-qci-3-paging-init-events-success
- ps-qci-3-paging-init-events-failures
- ps-qci-3-paging-last-enb-success
- ps-qci-3-paging-last-tai-success
- ps-qci-3-paging-tai-list-success
- ps-qci-4-paging-init-events-attempted
- ps-qci-4-paging-init-events-success
- ps-qci-4-paging-init-events-failures
- ps-qci-4-paging-last-enb-success
- ps-qci-4-paging-last-tai-success
- ps-qci-4-paging-tai-list-success
- ps-qci-5-paging-init-events-attempted
- ps-qci-5-paging-init-events-success
- ps-qci-5-paging-init-events-failures
- ps-qci-5-paging-last-enb-success
- ps-qci-5-paging-last-tai-success
- ps-qci-5-paging-tai-list-success
- ps-qci-6-paging-init-events-attempted
- ps-qci-6-paging-init-events-success
- ps-qci-6-paging-init-events-failures
- ps-qci-6-paging-last-enb-success
- ps-qci-6-paging-last-tai-success
- ps-qci-6-paging-tai-list-success
- ps-qci-7-paging-init-events-attempted
- ps-qci-7-paging-init-events-success
- ps-qci-7-paging-init-events-failures
- ps-qci-7-paging-last-enb-success
- ps-qci-7-paging-last-tai-success
- ps-qci-7-paging-tai-list-success
- ps-qci-8-paging-init-events-attempted
- ps-qci-8-paging-init-events-success
- ps-qci-8-paging-init-events-failures
- ps-qci-8-paging-last-enb-success
- ps-qci-8-paging-last-tai-success
- ps-qci-8-paging-tai-list-success
- ps-qci-9-paging-init-events-attempted
- ps-qci-9-paging-init-events-success

- ps-qci-9-paging-init-events-failures
- ps-qci-9-paging-last-enb-success
- ps-qci-9-paging-last-tai-success
- ps-qci-9-paging-tai-list-success
- cs-voice-paging-init-events-attempted
- cs-voice-paging-init-events-success
- cs-voice-paging-init-events-failures
- cs-voice-paging-last-enb-success
- cs-voice-paging-last-tai-success
- cs-voice-paging-tai-list-success
- cs-sms-paging-init-events-attempted
- cs-sms-paging-init-events-success
- cs-sms-paging-init-events-failures
- cs-sms-paging-last-enb-success
- cs-sms-paging-last-tai-success
- cs-sms-paging-tai-list-success
- cs-other-paging-init-events-attempted
- cs-other-paging-init-events-success
- cs-other-paging-init-events-failures
- cs-other-paging-last-enb-success
- cs-other-paging-last-tai-success
- cs-other-paging-tai-list-success
- signaling-detach-paging-init-events-attempted
- signaling\_detach-paging-init-events-success
- signaling-detach-paging-init-events-failures
- signaling-detach-paging-last-enb-success
- signaling-detach-paging-last-tai-success
- signaling-detach-paging-tai-list-success
- signaling-lcs-paging-init-events-attempted
- signaling\_lcs-paging-init-events-success
- signaling-lcs-paging-init-events-failures
- signaling-lcs-paging-last-enb-success
- signaling-lcs-paging-last-tai-success
- signaling-lcs-paging-tai-list-success

**Release 15.0:** The following bulk statistics are included in the MME Schema to track paging events. Note that these bulk statistics have been replaced by the bulk statistics above.

- ps-paging-init-events-attempted
- ps-paging-init-events-success
- ps-paging-init-events-failures
- ps-paging-last-enb-success
- ps-paging-last-tai-success
- ps-paging-tai-list-success

### Release 20.0

The following bulk statistics are included in the MME schema in for eMPS support :

- slap-transdata-pagingprioocs
- slap-transdata- pagingprioops
- csfb-ue-prio-voice-total
- csfb-ue-prio-voice-success
- csfb-ue-prio-voice-failures
- csfb-nw-prio-voice-total
- csfb-nw-prio-voice-success
- csfb-nw-prio-voice-failures
- ps-arp-1-paging-init-events-attempted
- ps-arp-1-paging-init-events-success
- ps-arp-1-paging-init-events-failures
- ps-arp-1-paging-last-enb-success
- ps-arp-1-paging-last-tai-success
- ps-arp-1-paging-tai-list-success
- ps-arp-2-paging-init-events-attempted
- ps-arp-2-paging-init-events-success
- ps-arp-2-paging-init-events-failures
- ps-arp-2-paging-last-enb-success
- ps-arp-2-paging-last-tai-success
- ps-arp-2-paging-tai-list-success
- ps-arp-3-paging-init-events-attempted
- ps-arp-3-paging-init-events-success
- ps-arp-3-paging-init-events-failures
- ps-arp-3-paging-last-enb-success
- ps-arp-3-paging-last-tai-success
- ps-arp-3-paging-tai-list-success
- ps-arp-4-paging-init-events-attempted
- ps-arp-4-paging-init-events-success
- ps-arp-4-paging-init-events-failures
- ps-arp-4-paging-last-enb-success
- ps-arp-4-paging-last-tai-success
- ps-arp-4-paging-tai-list-success

- ps-arp-5-paging-init-events-attempted
- ps-arp-5-paging-init-events-success
- ps-arp-5-paging-init-events-failures
- ps-arp-5-paging-last-enb-success
- ps-arp-5-paging-last-tai-success
- ps-arp-5-paging-tai-list-success
- ps-arp-6-paging-init-events-attempted
- ps-arp-6-paging-init-events-success
- ps-arp-6-paging-init-events-failures
- ps-arp-6-paging-last-enb-success
- ps-arp-6-paging-last-tai-success
- ps-arp-6-paging-tai-list-success
- ps-arp-7-paging-init-events-attempted
- ps-arp-7-paging-init-events-success
- ps-arp-7-paging-init-events-failures
- ps-arp-7-paging-last-enb-success
- ps-arp-7-paging-last-tai-success
- ps-arp-7-paging-tai-list-success
- ps-arp-8-paging-init-events-attempted
- ps-arp-8-paging-init-events-success
- ps-arp-8-paging-init-events-failures
- ps-arp-8-paging-last-enb-success
- ps-arp-8-paging-last-tai-success
- ps-arp-8-paging-tai-list-success
- ps-arp-9-paging-init-events-attempted
- ps-arp-9-paging-init-events-success
- ps-arp-9-paging-init-events-failures
- ps-arp-9-paging-last-enb-success
- ps-arp-9-paging-last-tai-success
- ps-arp-9-paging-tai-list-success
- ps-arp-10-paging-init-events-attempted
- ps-arp-10-paging-init-events-success

- ps-arp-10-paging-init-events-failures
- ps-arp-10-paging-last-enb-success
- ps-arp-10-paging-last-tai-success
- ps-arp-10-paging-tai-list-success
- ps-arp-11-paging-init-events-attempted
- ps-arp-11-paging-init-events-success
- ps-arp-11-paging-init-events-failures
- ps-arp-11-paging-last-enb-success
- ps-arp-11-paging-last-tai-success
- ps-arp-11-paging-tai-list-success
- ps-arp-12-paging-init-events-attempted
- ps-arp-12-paging-init-events-success
- ps-arp-12-paging-init-events-failures
- ps-arp-12-paging-last-enb-success
- ps-arp-12-paging-last-tai-success
- ps-arp-12-paging-tai-list-success
- ps-arp-13-paging-init-events-attempted
- ps-arp-13-paging-init-events-success
- ps-arp-13-paging-init-events-failures
- ps-arp-13-paging-last-enb-success
- ps-arp-13-paging-last-tai-success
- ps-arp-13-paging-tai-list-success
- ps-arp-14-paging-init-events-attempted
- ps-arp-14-paging-init-events-success
- ps-arp-14-paging-init-events-failures
- ps-arp-14-paging-last-enb-success
- ps-arp-14-paging-last-tai-success
- ps-arp-14-paging-tai-list-success
- ps-arp-15-paging-init-events-attempted
- ps-arp-15-paging-init-events-success
- ps-arp-15-paging-init-events-failures
- ps-arp-15-paging-last-enb-success



- ps-arp-15-paging-last-tai-success
- ps-arp-15-paging-tai-list-success

The following new bulk statistics are added in the MME schema to support APN-based paging differentiation:

- ps-apn-profile-paging-init-events-attempted – The total number of ECM statistics-related PS Paging Initiation Events that were attempted. It is incremented for APN-Profile event.
- ps-apn-profile-paging-init-events-success – The total number of ECM statistics-related PS Paging Initiation Events that were successful. It is incremented for APN-Profile event.
- ps-apn-profile-paging-init-events-failures – The total number of ECM statistics-related PS Paging Initiation Events that Failed. It is incremented for APN-Profile event.
- ps-apn-profile-paging-last-enb-success – The total number of ECM Statistics-related PS Paging Initiation Events that succeeded at the last known eNodeB. It is incremented for APN-Profile event.
- ps-apn-profile-paging-last-tai-success – The total number of ECM Statistics-related PS Paging Initiation Events that succeeded at an eNodeB in the TAI from which the UE was last heard. It is incremented for APN-Profile event.
- ps-apn-profile-paging-tai-list-success – The total number of ECM Statistics-related PS Paging Initiation Events that succeeded at an eNodeB in all TAIs present in the TAI list assigned to the UE. It is incremented for APN-Profile event.

## Paging Show Command(s) and/or Outputs

This section provides information regarding show commands and/or their outputs in support of the MME Paging features.

Only those counters which relate to paging are shown.

The following command displays a list of all paging-profiles in ordered by the paging-stage.

### **show lte-policy paging-profile summary**

The following command shows information for the specified paging-profile.

```
show lte-policy paging-profile name <name >
show lte-policy paging-profile name pg-aggressive
Paging Profile : pg-aggressive
  Paging Stage 1 :
    Paging Action      - Page all TAIs in all ENBs.
    Match Criteria     - No conditions. Always apply this stage.
    T3414-Timeout      - 5 sec
    Max Paging Retries - 4
```

The following command shows a list of all paging-maps configured.

### **show lte-policy paging-map summary**

The following command shows information for the specified paging-map.

```
show lte-policy paging-map name < name >
show lte-policy paging-map name pg-map2
Paging Map : pg-map2
pg2
  Precedence 1 : Circuit-Switched (CS); Paging is performed as per paging-profile
  Precedence 2 : Packet-Switched (PS); Paging is performed as per paging-profile
```

pg4

Precedence 3 : Packet-Switched (PS) APN : pg5; Paging is performed as per paging-profile pg5

The following command shows the UE Tracking Information for the Last Reported 5 eNodeBs and Last Reported 7 ECGIs for the specified IMSI.

```
show mme-service db record imsi < imsi >
```

The following command shows information about the Paging Initiation Events.

```
show mme-service statistics
```

The following groups of PS paging initiation event counters track individual events for each QCI level (1-7). The following sample shows only the fields for QCI-1. Additional groups of fields are provided for QCI-2 through QCI-7.

```
Paging Initiation for PS QCI-1 Events:
  Attempted: 0   Success: 0
  Failures: 0
  Success at Last n eNB: 0   Success at Last TAI: 0
  Success at TAI List: 0
```

The following counters track paging events for PS APN-Profile based selection.

```
Paging Initiation for PS APN-Profile based selection:
  Attempted: 0   Success: 0
  Failures: 0
  Success at Last n eNB: 0   Success at Last TAI: 0
  Success at TAI List: 0
```

The following groups of CS traffic paging event counters events based on sub-traffic type: (CS **Voice** Events, CS **SMS** Events, and CS **Other** Events) .

```
Paging Initiation for CS Voice Events:
  Attempted: 0   Success: 0
  Failures: 0
  Success at Last n eNB: 0   Success at Last TAI: 0
  Success at TAI List: 0
Paging Initiation for CS SMS Events:
  Attempted: 0   Success: 0
  Failures: 0
  Success at Last n eNB: 0   Success at Last TAI: 0
  Success at TAI List: 0
Paging Initiation for CS Other Events:
  Attempted: 0   Success: 0
  Failures: 0
  Success at Last n eNB: 0   Success at Last TAI: 0
  Success at TAI List: 0
```

The following groups of Signaling event counters track individual Detach and LCS (Location Services) paging events.

```
Paging Initiation for SIGNALING DETACH Events:
  Attempted: 0   Success: 0
  Failures: 0
  Success at Last n eNB: 0   Success at Last TAI: 0
  Success at TAI List: 0
Paging Initiation for SIGNALING LCS Events:
  Attempted: 0   Success: 0
  Failures: 0
  Success at Last n eNB: 0   Success at Last TAI: 0
  Success at TAI List: 0
```



## CHAPTER 49

# HSS and AuC Interworking Configuration Enhancement

- [Feature Summary and Revision History, on page 537](#)
- [Feature Description, on page 538](#)

## Feature Summary and Revision History

### Summary Data

Applicable Product(s) or Functional Area	MME
Applicable Platform(s)	VPC-DI-LARGE
Default Setting	Enabled - Always-on
Related Changes in This Release	Not Applicable
Related Documentation	<i>MME Administration Guide</i>

### Revision History

Revision Details	Release
The maximum number of HSS Peer Services that can be created and configured has been increased from 96 to 128. This feature is fully qualified in this release.	21.20
The maximum number of HSS Peer Services that can be created and configured has been increased from 96 to 128. <b>Important</b> This feature is not fully qualified in this release, and is available only for testing purposes. For more information, contact your Cisco Account Representative.	21.19
The maximum number of HSS Peer Services that can be created and configured has been increased from 64 to 96.	21.15
First introduced.	Pre 17.0

## Feature Description

The maximum number of HSS Peer services that can be configured per MME chassis has been increased from 96 to 128.



---

**Note**

- In StarOS 21.15 and later releases, the maximum memory for diamproxy proclat allocated is increased by 250 MB. The increase is only for SCALE\_LARGE platform (qvpc-di-large).
  - The maximum number of configurable Diameter endpoint is limited to 96.
  - This feature is not fully qualified in this release, and is available only for testing purposes. For more information, contact your Cisco Account Representative.
-



## CHAPTER 50

# HSS-based P-CSCF Restoration

The home subscriber server-based (HSS) Proxy Call Session Control Function (P-CSCF) Restoration is an optional mechanism during a P-CSCF failure. It applies only when the UE is using 3GPP access technologies.

This section describes MME support for HSS-Initiated P-CSCF Restoration.

- [Feature Description, on page 539](#)
- [How It Works, on page 539](#)
- [Configuring HSS-based P-CSCF Restoration, on page 543](#)
- [Monitoring and Troubleshooting the HSS-based P-CSCF Restoration, on page 544](#)

## Feature Description

P-CSCF Restoration aids in successful establishment of MT VoLTE calls when the serving P-CSCF has failed or unreachable.

The HSS-based P-CSCF Restoration mechanism is executed when a terminating request cannot be serviced due to a P-CSCF failure. The execution is possible if there are no other registration flows available for the terminating UE using an available P-CSCF.

The HSS-based P-CSCF restoration consists of a basic mechanism that makes usage of a path through HSS and MME/SGSN to request the release of the IMS PDN connection to the corresponding UE and an optional extension that avoids the IMS PDN deactivation and re-activation.

The HSS-based P-CSCF Restoration complies with the following standard: 3gpp TS 23.380 section 5.4 HSS-based P-CSCF Restoration

The HSS-based P-CSCF Restoration feature is license controlled. Contact your Cisco Account or Support representative for information on how to obtain a license.

## How It Works

The HSS-based P-CSCF restoration feature consists of restoring P-CSCF for the corresponding UE IMS PDN connections in one of the following ways:

- **Basic mechanism** -- This makes usage of a path through HSS and MME to request the release of the IMS PDN connection to the corresponding UE.
- **Optional extension** -- This avoids the IMS PDN deactivation and re-activation. The HSS-based P-CSCF basic mechanism is optionally extended by reusing part of the "Update bearer at P-CSCF failure"

mechanism. This extension is based on the possibility for the P-GW to know whether or not the UE supports the "P-CSCF address assignment through PCO." mechanism.

## Architecture

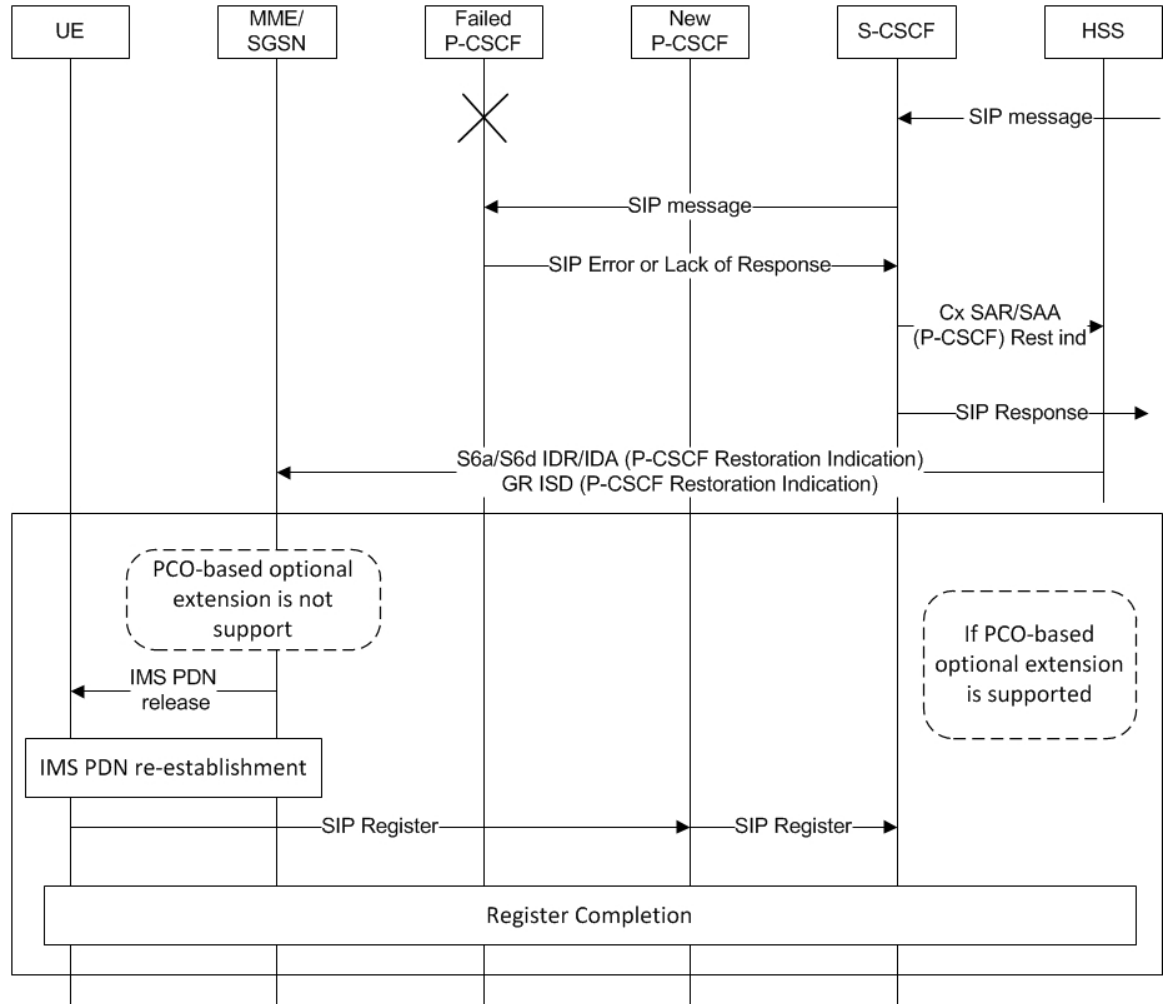
MME provides the following support for HSS-based P-CSCF restoration:

- Advertise support for P-CSCF Restoration on S6a interface towards HSS when configured.
- P-CSCF restoration for IMS PDN's upon receiving s6a IDR message with P-CSCF restoration in IDR flags.
- Identifying IMS PDN based on APN type specified.
- Configuration to select P-CSCF restoration type - PDN Deactivation or PDN Modification.
- Performs PDN Disconnect for IMS PDN deactivation with cause code "reactivation requested" if P-CSCF Restoration type is set to PDN Deactivation.
- "Modify bearer request on S11 interface towards SGW with PCRI indication if P-CSCF Restoration type is set to PDN Modification.
- Detaches UE with cause "reattach required" in case all the UE PDN's need to be deactivated as part of P-CSCF restoration.
- Pages the UE if IDR with P-CSCF restoration is received, while UE is in idle mode.
- Implicitly detach or disconnect the IMS PDN if Paging UE fails and the P-CSCF restoration type is set to PDN deactivation.
- Generate statistics for the number of IMS PDN's Deactivated & Modified for P-CSCF restoration.

## Flows

This section provides the MME's call flows for HSS-based P-CSCF Restoration.

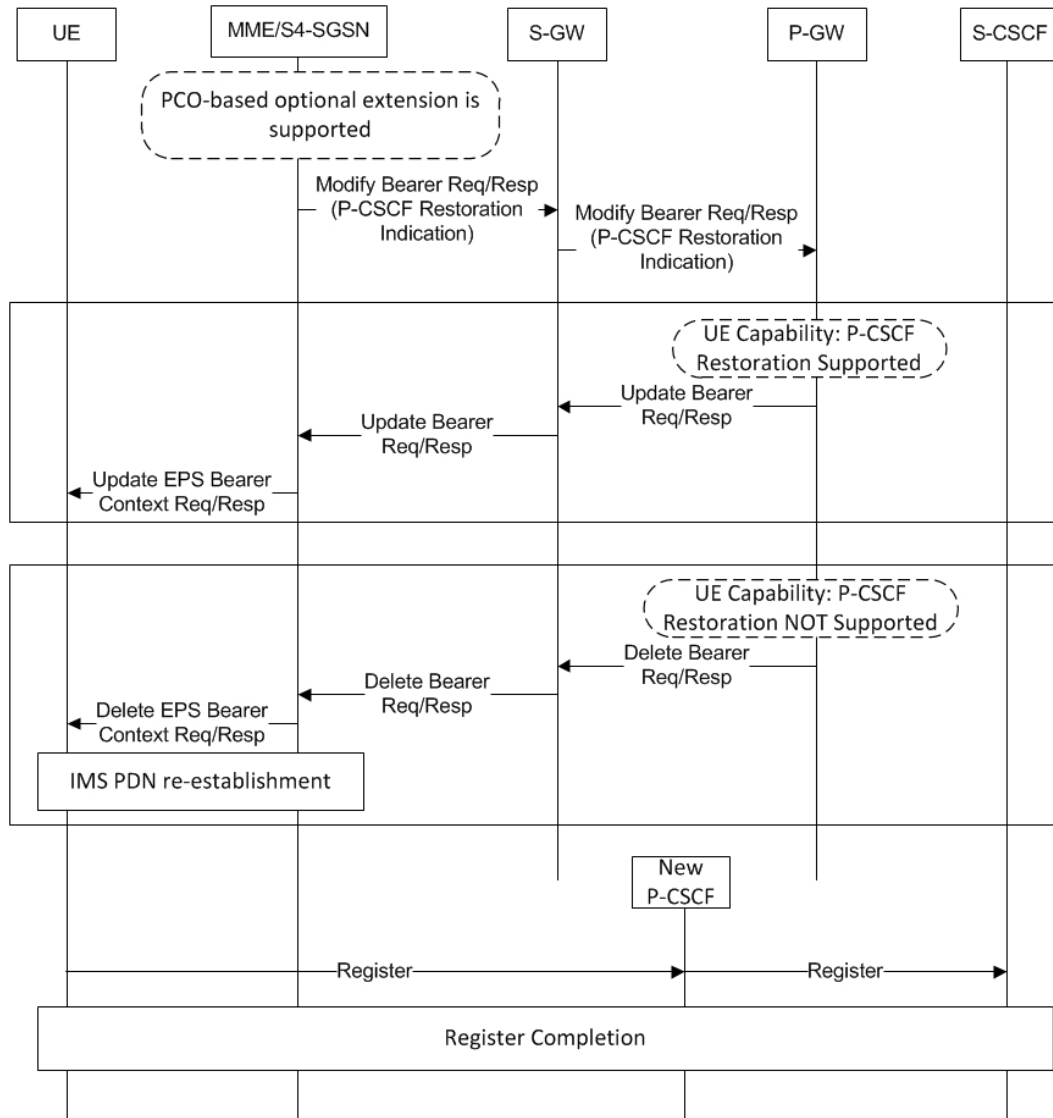
Figure 45: Call flow for HSS-based P-CSCF Restoration



406981

On receiving the P-CSCF Restoration indication from the HSS, the MME/SGSN from the received IMSI identifies the UE and finds the corresponding IMS APN. The support of this feature by the serving SGW/PGW is determined based on the local configuration at the MME. If the optional extension is not supported by the SGW/PGW, the MME releases the identified PDN connection towards the UE by executing PDN disconnection/detach procedure with NAS cause code "reactivation requested/ reattach required". Additionally, the MME/SGSN release the same PDN connection towards the SGW/PGW by sending Delete Session message. As a result of the release of the IMS PDN connection, the UE activates the IMS PDN connection to select an available P-CSCF and to perform a new initial IMS registration.

Figure 46: Call flow for HSS-based P-CSCF Restoration, continued...



406982

The HSS-based P-CSCF basic mechanism is optionally extended by reusing part of the "Update PDP context/bearer at P-CSCF failure" mechanism. This in order to avoid the need to deactivate and reactivate the IMS PDN connection. PCO-based optional extension is based on the possibility for the P-GW/GGSN to know whether or not the UE supports the "Update PDP context/bearer at P-CSCF failure" mechanism.

The MME sends Modify Bearer to the P-GW for the associated PDN connection with a P-CSCF Restoration indication. The MME provides this indication to the P-GW through the S-GW. When Modify Bearer Request is received by the S-GW with the P-CSCF Restoration indication, this message is forwarded to PGW. PGW sends Update Bearer Request to the MME along with a list of available P-CSCF addresses within PCO IE to update the destination UE.

MME sends an Update EPS Bearer Context Request or Modify PDP Context Request to the UE, including the PCO with the list of available P-CSCF addresses otherwise, upon reception of Delete Bearer Request the MME sends Delete EPS Bearer Context Request to the UE with NAS cause code "reactivation requested".



When the PDN connection is released, the UE re-activates the IMS PDN connection and selects an available P-CSCF. If the UE has received Modify EPS Bearer Context Request, the UE as per PCO based P-CSCF Restoration procedures, selects an available P-CSCF from the list for IMS registration. The UE performs a new initial IMS registration.

## Configuring HSS-based P-CSCF Restoration

### Configuring P-CSCF Restoration and Restoration Method

#### Setting Up P-CSCF Restoration

The **pcscf-restoration** is a newly added command to enable HSS-based P-CSCF Restoration.

The following CLI configuration enables/disables support for HSS-initiated P-CSCF restoration in the Call Control Profile configuration mode.

```
configure
  call-control-profile profile_name
    [ remove ] pcscf-restoration
  end
```

Notes:

- The **pcscf-restoration** command in the above configuration enables HSS-based P-CSCF restoration. When enabled, MME supports P-CSCF Restoration on the S6a interface towards HSS for IMS PDN.
- The **remove** prefix added to the command disables HSS-based P-CSCF Restoration in the MME.
- By default, the above configuration is disabled.
- To select the method for P-CSCF Restoration, use the **pcscf-restoration** keyword in **apn-type ims** command under APN Profile configuration mode.

#### Setting Restoration Method

The **apn-type ims** command identifies APN as IMS APN, and indicate whether the PGW supports optional extension or MME initiates PDN deactivation for HSS initiated P-CSCF restoration.

The **pcscf-restoration { pco-update | pdn-deactivate }** keywords select the method for P-CSCF restoration. The P-CSCF restoration method is configured under the APN Profile configuration mode.

```
configure
  apn-profile profile_name
    apn-type ims [ pcscf-restoration { pco-update | pdn-deactivate } ]
  end
```

Notes:

- The **apn-type ims** command for MME identifies the type of APN. If an IMS APN is present, the Modify Bearer Request will be delayed during Inbound SRNS relocation.
- The **pcscf-restoration** keyword identifies P-CSCF restoration for IMS PDN. This keyword is functional only if the feature license is installed.
- The **pco-update** keyword selects P-CSCF restoration method as PDN Modification through PCO update.
- The **pdn-deactivate** keyword selects P-CSCF restoration method as PDN Deactivation.

- To enable HSS-based P-CSCF Restoration, use the **pcscf-restoration** command under the Call Control Profile mode.



**Important** If only "apn-type ims" is configured then default P-CSCF restoration method "pdn-deactivate" is enabled.

## Verifying the HSS-based P-CSCF Restoration Configuration

Verify the configuration of HSS-based P-CSCF Restoration by entering the following commands:

```
show call-control-profile full all
```

The command above outputs a display similar to the following:

```
Call Control Profile Name = cp1
SAMOG Web-Authorization Mutiple Device Support : NO
Super Charger : Disabled
P-CSCF Restoration : Enabled
Sending Radio Access Technology (RAT) IE : Enabled
```

The P-CSCF Restoration field indicates if P-CSCF Restoration is enabled or disabled.

```
show apn-profile full all
```

The command above generates a display similar to the following:

```
APN Profile Name : ap1
CI-QOS mapping table : Not Configured
APN Type : IMS
PCSCF Restoration Type : PCO Update
Dedicated bearers
GBR : Not Configured
Non-GBR : Not Configured
```

The P-CSCF Restoration Type parameter is displayed if the APN type is set to IMS. This parameter indicates if the P-CSCF Restoration method is PCO Update or PDN Deactivate for the current APN profile.

## Monitoring and Troubleshooting the HSS-based P-CSCF Restoration

The following sections describe commands available to monitor HSS-based P-CSCF Restoration on the MME.

### HSS-based P-CSCF Restoration Show Command(s) and/or Outputs

This section provides information regarding show commands and their outputs in support of HSS-based P-CSCF Restoration

#### show mme-service statistics

The following fields are displayed on executing this command for this feature:

```
Bearer Statistics:
All Bearers: 0      Connected Bearers: 0
Idle Bearers: 0
```

```
HSS P-CSCF Restoration:
PDN Deactivation: 0   PDN Modification: 3
```

The PDN Deactivation counter indicates the number of IMS PDN deactivations attempted due to HSS-based P-CSCF Restoration

### Troubleshooting HSS-based P-CSCF Restoration

To troubleshoot the HSS-based P-CSCF Restoration feature, use the following instructions:

- Ensure call control profile has PCSCF restoration configured.
- Ensure APN profile has APN type configuration and APN profile is associated for the concerned APN NI.
- Check if HSS supports PCSCF restoration and also if it has advertised its support in the S6a messages.
- Ensure if all PGWs serving the APN supports PCSCF restoration through PCO update. If yes then PCSCF restoration method PDN Modification (PCO-update) should be configured. Otherwise PCSCF restoration method PDN deactivate should be configured by default.
- Check the statistics using the following show commands:

- **show mme-service statistics esm-only:** Displays the counters illustrated below:

```
HSS P-CSCF Restoration:
PDN Deactivation: 0   PDN Modification: 3
```

- **show session disconnect-reasons verbose:** Displays the counter illustrated below:

```
mme-pcscf-rest-detach(616) 0          0.00000
```

- **show mme-service statistics:** Displays the counters illustrated below:

```
Paging Initiation for SIGNALING DETACH Events:
Attempted: 0   Success: 0
Failures: 0
Success at Last n eNB: 0   Success at Last TAI: 0
Success at TAI List:          0

Paging Initiation for SIGNALING Idr Events:
Attempted: 0   Success: 0
Failures: 0
Success at Last n eNB 0   Success at Last TAI: 0
Success at TAI List: 0
HSS Initiated PDN Disconnections:
Attempted: 2   Success: 2
Failures: 0
Disconnect Statistics:
UE detached: 0   PGW detached: 0
HSS detached: 1   MME detached: 0
Implicit detach: 0   Local abort: 0
Authentication failure: 0   Sub parameter failure: 0
Foreign PLMN rejected: 0   APN not sup PLMN-RAT: 0
Other reasons: 0
```

## HSS-based P-CSCF Restoration Bulk Statistics

The following statistics are included in the MME Schema in support of the HSS-based P-CSCF Restoration:

- pcscf-restoration-pdn-deactivations
- pcscf-restoration-pdn-modifications

For descriptions of these variables, see *MME Schema Statistics* in the *Statistics and Counters Reference*.



## CHAPTER 51

# Idle-mode Signaling Reduction

Idle-mode Signaling Reduction (ISR) allows a UE to be registered on (and roam between) E-UTRAN and UTRAN/GERAN networks while reducing the frequency of TAU and RAU procedures and overall signaling.

- [Feature Description, on page 547](#)
- [How it Works, on page 547](#)
- [Configuring ISR, on page 550](#)
- [Monitoring and Troubleshooting ISR, on page 551](#)

## Feature Description

Idle mode Signaling Reduction (ISR) allows the UE to be registered in UTRAN/GERAN at the same time it is registered in E-UTRAN. ISR requires functionality in both the UE and the network (i.e. in the SGSN, MME, S-GW and HSS) to activate ISR for a UE. The network can decide for ISR activation individually for each UE.

ISR allows the UE to roam between LTE & 2G/3G while reducing the frequency of TAU and RAU procedures caused by UEs reselecting between E-UTRAN and GERAN/UTRAN, when operated together. It not only reduces the signaling between UE and network, but also reduces the signaling between E-UTRAN & UTRAN/GERAN.

When ISR is activated, the UE is registered with both the MME and S4 SGSN. Both the S4 SGSN and the MME have a control connection with the S-GW. The MME and S4 SGSN are both registered at the HSS. The UE stores MM parameters from S4 SGSN (e.g. P-TMSI and RA) and from MME (e.g. GUTI and TA(s)) and the UE stores session management (bearer) contexts that are common for E-UTRAN and GERAN/UTRAN accesses. In an idle state the UE can reselect between E-UTRAN and GERAN/UTRAN (within the registered RA and TAs) without any need to perform TAU or RAU procedures with the network. SGSN and MME store each other's address when ISR is activated.

## How it Works

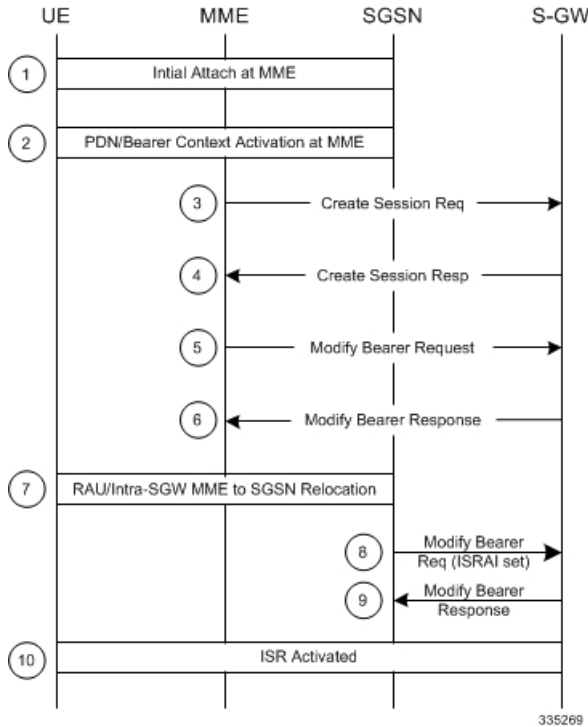
### ISR Activation

ISR does not entail any changes to the initial attach procedure at the MME or S4 SGSN. ISR is only activated when the UE is registered with both the MME and S4 SGSN. This happens for the first time when the UE has a previous state at either the MME or S4 SGSN and relocates to the other node. This is achieved via

TAU/RAU procedures or via inter-RAT procedures. Both the S4 SGSN and the MME then have a control connection with the Serving GW. The MME and S4 SGSN are both registered at the HSS.

The UE stores Mobility Management (MM) parameters from the SGSN (P-TMSI and RA) and from MME (GUTI and TA(s)) and the UE stores session management (bearer) contexts that are common for E-UTRAN and GERAN/UTRAN accesses. In the idle state, the UE can reselect between E-UTRAN and GERAN/UTRAN (within the registered RA and TAs) without any need to perform TAU or RAU procedures with the network. The SGSN and MME store each other's address when ISR is activated.

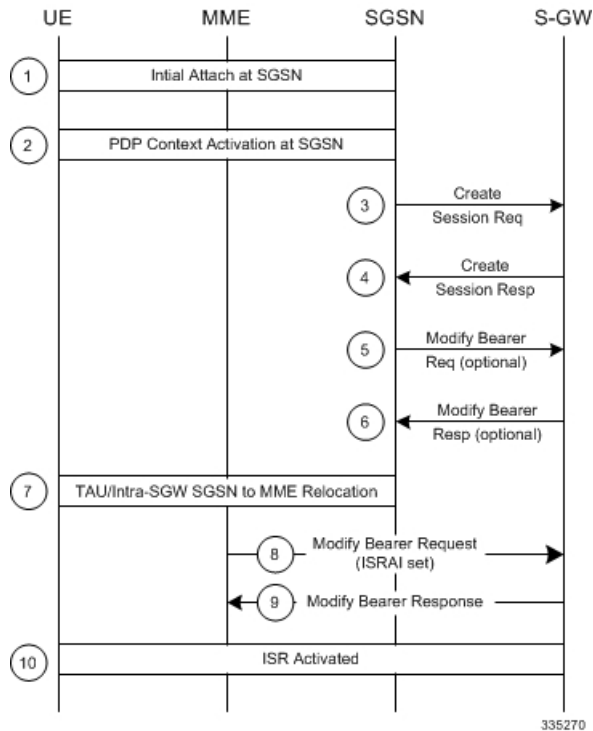
Figure 47: ISR Activation During MME to SGSN Relocation



Notes:

- S3 Fwd relocation request/context response would indicate ISR support at MME via indication flag (ISRSI).
- If the SGSN also supports ISR, it activates and indicates so using ISRAI flag to the S-GW in an S4 modify bearer request message.
- The SGSN uses Context Ack/Fwd Relocation Complete response to indicate to MME that ISR has been activated. This ensures that the MME does not delete UE context.
- The MME also expects the HSS to not send a Cancel-Location-request to the MME.

Figure 48: ISR Activation During SGSN to MME Relocation



## Notes:

- S3 Fwd relocation request/context response indicates ISR support at SGSN via indication flag (ISRSI).
- If the MME also supports ISR, it activates and indicates so using ISRAI flag to the S-GW in a S11 Modify Bearer Request message.
- The MME uses the Context Ack/Fwd Relocation Complete notification to indicate to the SGSN that ISR has been activated. This ensures that the SGSN does not delete the UE context.
- The MME sends a t3423 timer and sends the appropriate EPS Update result IE to UE in a TAU accept.

## ISR Deactivation

The UE and the network run independent periodic update timers for GERAN/UTRAN and for E-UTRAN. When the MME or SGSN do not receive periodic updates, the MME and SGSN may decide independently for implicit detach, which removes session management (bearer) contexts from the CN node performing the implicit detach and it also removes the related control connection from the S-GW. Implicit detach by one CN node (either SGSN or MME) deactivates ISR in the network. It is deactivated in the UE when the UE cannot perform periodic updates in time. When ISR is activated and a periodic updating timer expires, the UE starts a Deactivate ISR timer. When this timer expires and the UE was not able to perform the required update procedure, the UE deactivates ISR.

All special situations that cause context in the UE, MME and SGSN to become asynchronous are handled by ISR deactivation. The normal RAU/TAU procedures synchronize contexts in MME and SGSN and activate ISR again when wanted by the network.

## ISR Behavior with Circuit Switched Fallback

ISR capability impacts some MME messaging when Circuit Switched Fallback (CSFB) is also implemented.

- When receiving a Paging Request from the MSC/VLR, the MME must initiate paging in both the E-UTRAN and the UTRAN/GERAN domains (as a UE in idle mode may be in either cell coverage).
- When the MSC/VLR initiates a Non-EPS Alert Procedure, the MME must inform the peer SGSN of the request. If there is signaling activity in the UTRAN/GERAN domain, the SGSN can inform the MME (via the S3 interface) to allow the MME to indicate activity to the MSC/VLR.
- IMSI-detach is allowed from the SGSN.

## Standards Compliance

The ISR capability complies with the following standards for 3GPP LTE/EPS wireless networks:

- 3GPP TS 23401-970
- 3GPP TS 29274-940
- 3GPP TS 23272-990
- 3GPP TS 24301-950

## Configuring ISR

This feature requires that a valid license key be installed. Contact your Cisco Account or Support representative for information on how to obtain a license.

Use the following example to enable the ISR feature on the specified MME service

```
config
  context <context_name>
    mme-service <mme_svc_name> -noconfirm
      isr-capability
    exit
```

## Verifying ISR Configuration

Use either of the following commands to display information to verify if ISR is enabled.

```
show mme-service all
show mme-service name <mme_svc_name>
```

The output of this command displays the entire configuration for the MME service specified.

```
show mme-service name mmesvc1
ISR Capability    : Enabled
```



# Monitoring and Troubleshooting ISR

## ISR Bulk Statistics

The following MME Schema bulk statistics have been introduced for the Idle-mode Signaling Reduction feature:

- isr-activated

The following eGTP-C Schema bulk statistics have been introduced for the Idle-mode Signaling Reduction feature:

- mobility-sent-cspagingind
- mobility-recv-cspagingind
- mobility-sent-alertmmenotf
- mobility-sent-retransalertmmenotf
- mobility-recv-alertmmenotf
- mobility-recv-retransalertmmenotf
- mobility-sent-alertmmeack
- mobility-sent-retransalertmmeack
- mobility-recv-alertmmeack
- mobility-recv-retransalertmmeack
- mobility-sent-alertmmeackaccept
- mobility-sent-alertmmeackdenied
- mobility-recv-alertmmeackaccept
- mobility-recv-alertmmeackdenied
- mobility-sent-ueactivitynotf
- mobility-sent-ueactivitynotf
- mobility-sent-retransueactivitynotf
- mobility-recv-ueactivitynotf
- mobility-recv-retransueactivitynotf
- mobility-sent-ueactivityack
- mobility-sent-retransueactivityack
- mobility-recv-ueactivityack
- mobility-recv-retransueactivityack
- mobility-sent-ueactivityackaccept
- mobility-sent-ueactivityackdenied
- mobility-recv-ueactivityackaccept
- mobility-recv-ueactivityackdenied
- mobility-sent-detachnotf
- mobility-sent-retransdetachnotf
- mobility-recv-detachnotf
- mobility-recv-retransdetachnotf
- mobility-sent-detachack
- mobility-recv-detachack
- mobility-sent-detachackaccept

- mobility-sent-detachackdenied
- mobility-recv-detachackaccept
- mobility-recv-detachackdenied

## ISR Show Command(s) and/or Outputs

This section provides information regarding show commands and/or their outputs in support of ISR.

Only those counters which relate to ISR are shown.

**show mme-service statistics**

*Table 42: ISR Deactivation Statistics*

Field	Description
<b>ISR Deactivation Statistics</b>	
S3 path failure	The total number of Idle mode Signaling Reduction (ISR) deactivations due to failure in the S3 interface.
SGSN local detach	The total number of Idle mode Signaling Reduction (ISR) deactivations due to SGSN detach notification.
SGW relocation	The total number of Idle mode Signaling Reduction (ISR) deactivations due to S-GW relocation of the session to an MME/SGSN which does not support ISR.
CN Node relocation	The total number of Idle mode Signaling Reduction (ISR) deactivations due to CN Node relocation of the session to an MME/SGSN which does not support ISR.
Implicit detach	The total number of Idle mode Signaling Reduction (ISR) deactivations due to an idle timeout (implicit detach) initiated by either the MME or Peer SGSN.
Other detach procedures	The total number of Idle mode Signaling Reduction (ISR) deactivations due to an idle timeout (implicit detach) initiated by either the MME or Peer SGSN.
Other reasons	The total number of Idle mode Signaling Reduction (ISR) deactivations due to a reason not otherwise classified by one of the other ISR Deactivation Statistics categories.

**show mme-service session full**

*Table 43: ISR Session Information*

Field	Description
ISR Status	Displays if the session is using Idle mode Signaling Reduction (ISR). Possible configurations are Activated or Deactivated.
Peer SGSN	Displays the IP address of the SGSN which has a context for this UE in support of Idle mode Signaling Reduction (ISR). A Peer SGSN address is only shown when ISR is activated for this session.

**show mme-service session summary**

**Table 44: ISR Session Summary**

<b>Field</b>	<b>Description</b>
Total ISR-activated sessions	The current total number of MME sessions which are activated for ISR.

**show egtpc sessions**

Typically this command shows only one EGTP session (S11) per UE. When an ISR-activated UE is present, this command displays 2 EGTP sessions per UE.





# CHAPTER 52

## IMEI Check during Periodic TAU Support for NB IoT Devices

- [Feature Summary and Revision History, on page 555](#)
- [Feature Changes, on page 556](#)
- [Command Changes, on page 556](#)

### Feature Summary and Revision History

#### Summary Data

Applicable Product(s) or Functional Area	MME
Applicable Platform(s)	<ul style="list-style-type: none"> <li>• ASR 5500</li> <li>• VPC-DI</li> <li>• VPC-SI</li> </ul>
Feature Default	Disabled - Configuration Required
Related Changes in This Release	Not applicable
Related Documentation	<ul style="list-style-type: none"> <li>• <i>Command Line Interface Reference</i></li> <li>• <i>MME Administration Guide</i></li> </ul>

#### Revision History

Revision Details	Release
IMEI Check during Periodic TAU Support for NB IoT Devices was first introduced in release 21.3.13. With this release, this feature is also applicable to release 21.5.16.	21.5.16
First introduced.	21.3.13

## Feature Changes

If IMEI is available for UE, the MME sends ME-Identity-Check-Request (MICR) to EIR (Equipment Identity Register) whenever NB IoT device does a periodic TAU.

**Previous Behavior:** MME never sent the ME-Identity-Check-Req to EIR when NB IoT devices did periodic TAU.

**New Behavior:** When IMEI is available for an UE, MME sends MICR to EIR whenever NB IoT device does a Periodic TAU. If IMEI is not available, the MICR is not sent.

Depending on the Equipment-Status received from the EIR in ME-Identity-Check-Answer (MICA), the MME will take action based on the MME configuration.

**Customer Impact:** Enhanced security for NB IoT devices due to IMEI check in periodic TAU.

## Command Changes

### imei-query-type verify-equipment-identity

To enable this feature, use the existing CLI commands in one of the following configuration modes:

#### Call Control Profile

```
configure
  call-control-profile call_control_profile
    attach imei-query-type imei verify-equipment-identity
  end
```

Or

```
configure
  call-control-profile call_control_profile
    tau imei-query-type verify-equipment-identity
  end
```

#### MME Service

```
configure
  mme-service service_name
    policy attach imei-query-type verify-equipment-identity
  end
```

Or

```
configure
  mme-service service_name
    policy tau imei-query-type verify-equipment-identity
  end
```

#### Notes:

- **verify-equipment-identity** : Specifies that the identification (IMEI or IMEI-SV) of the UE is to be performed by the Equipment Identity Register (EIR) over the S13 interface.



# CHAPTER 53

## Implicit Update Location to HSS

- [Feature Summary and Revision History, on page 557](#)
- [Feature Description, on page 558](#)
- [Configuring Implicit Update Location to HSS, on page 558](#)
- [Monitoring and Troubleshooting, on page 559](#)

### Feature Summary and Revision History

#### Summary Data

Applicable Product(s) or Functional Area	MME
Applicable Platform(s)	<ul style="list-style-type: none"> <li>• ASR 5500</li> <li>• VPC-DI</li> <li>• VPC-SI</li> </ul>
Default Setting	Disabled - Configuration required
Related Changes in This Release	Not Applicable
Related Documentation	<ul style="list-style-type: none"> <li>• <a href="#">Command Line Interface Reference</a></li> <li>• <a href="#">MME Administration Guide</a></li> </ul>

#### Revision History

Revision Details	Release
In this release, Initial-Attach-Indicator flag is set in the Implicit ULR.	21.16.6
First introduced.	21.14

## Feature Description

When the attach has a Globally Unique Temporary ID (GUTI), then MME queries for the subscriber information. If it has the subscriber information, then the Update Location Request (ULR) will not be executed because the UE information is updated already. Some of the customer devices cannot reset the old GUTI after returning to Home network from the visited network. This causes mismatch between Home Subscriber Server (HSS) and MME. Hence MME is expected to send ULR to HSS even when the subscriber Database (dB record) is present at the MME so that the HSS and the MME are in the sync.

**Setup Initial-Attach-Indicator Flag Enhancement:** In StarOS 21.16.6 release, the MME supports Initial-Attach-Indicator bit in the implicit ULR with the configuration enabled through CLI. You can set the initial attach indication flag during local GUTI attach with the available subscriber DB.

## Configuring Implicit Update Location to HSS

### Enabling Implicit Update Location to HSS

Use the following commands to send Implicit ULR without setting initial attach indication flag.

```
configure
  call-control-profile call_control_profile_name
    [ no ] attach implicit-ulr
  end
```

#### NOTES:

- **attach implicit-ulr:** Attaches the implicit ULR. By default implicit-ulr is disabled.
- **no:** Removes the configuration to implicitly send the ULR for local GUTI reattach.

Use the following command to send Implicit ULR with initial attach indication flag set.

```
configure
  call-control-profile call_control_profile_name
    attach implicit-ulr initial-attach-flag
  end
```

#### NOTES:

- **attach implicit-ulr:** Attaches the implicit ULR. By default implicit-ulr is disabled.
- **initial-attach-flag:** Enables Initial-attach-indication flag in Implicit-ULR.

#### Reset Initial-Attach-Indication flag in Implicit ULR

To reset, configure **attach implicit-ulr** under call-control-profile configuration mode as below.

```
configure
  call-control-profile call_control_profile_name
    attach implicit-ulr
  end
```



Disable sending of Implicit ULR.

```
configure
  call-control-profile call_control_profile_name
  no attach implicit-ulr
end
```

## Monitoring and Troubleshooting

This section provides information regarding show commands available to monitor and troubleshoot the MME Minimization Drive Test feature.

### Show Commands and Outputs

#### show call-control-profile full all

A new show command output "Implicit Sending of ULR during local GUTI attach" is added to indicate configured value (Enabled/Disabled).

#### show call-control-profile full all

The output of this command includes the following fields:

Field	Description
Implicit Sending of ULR during local GUTI attach	Shows whether implicit sending of ULR messages during local GUTI attach is enabled or disabled.
Set Initial-Attach-Indication flag in Implicit ULR	Shows whether initial attach flag is enabled or disabled.

### Bulk Statistics

This section provides information on the bulk statistics for the Implicit update to HSS on MME.

### HSS Schema Statistics

The following bulk statistics are included in the HSS peer service statistics to track overall statistics.

*Table 45: Bulk Statistics Counters in the HSS Peer Service Statistics*

Counters	Description
UL Request	The total number of Update Location Request messages containing the result code "Other Errors" received by the HSS peer service from the HSS.
UL Answer	The total number of Update Location Answer messages containing the result code "Other Errors" received by the HSS peer service from the HSS.





## CHAPTER 54

# IMSI Manager Overload Control

- [Feature Description, on page 561](#)
- [Monitoring and Troubleshooting IMSI Manager Overload Control, on page 562](#)

## Feature Description

The IMSI Manager is the Demux process that selects the Session Manager instance based on the Demux algorithm logic to host a new session for 2G/3G/4G subscribers for SGSN/MME. The IMSI Manager maintains the IMSI-SMGR mapping for SGSN (2G/3G) and MME (4G) subscribers. The mappings maintained for all registered subscribers are synchronous with the Session Managers.

When the incoming attach rate is high at the IMSIMGR in a short span of time, the CPU consumption is very high and affects the normal processing activities of the IMSI Manager. At times this can lead to an IMSI Manager crash. Overload control methods are devised through this feature enhancement to keep the IMSI Manager CPU under control.



---

**Important** This feature is enabled by default.

---

### IMSI Manager Overload Control

IMSI Manager Overload control is implemented on both SGSN and MME call flows. Attach rate throttling(network overload protection) is implemented in IMSI Manager to cap the rate at which new requests are accepted by SGSN and MME. This feature helps us process the incoming new subscriber requests (for example ATTACH/ISRAU) at a configured rate, therefore the HLR and other nodes are not overloaded. The SGSN and MME have separate pacing queues in the IMSI Manager to monitor the incoming rate of requests and have a separate network overload configuration as well.

For the SGSN, the following requests are paced using the pacing queues:

- Initial ATTACH (with IMSI , L-PTMSI ,F-PTMSI)
- Inter-SGSN RAU
- Empty-CR requests

In the MME, new connections are setup for the following events:

- UE initiated initial Attach

- All types of attach – IMSI, local GUTI, foreign GUTI, mapped GUTI, emergency and so on.
- UE initiated Inter-CN node TAU request requiring context transfer from old MME/SGSN
- TAU request with foreign GUTI or mapped GUTI
- Peer SGSN/MME initiated forward relocation request via Gn/S10/S3

With this feature enhancement when the incoming attach rate is high, the pacing queue becomes full and the further requests are either dropped or forwarded to Session Manager. The Session Manager in turn sends the reject response based on the configuration. When network overload protection action is set as "reject", the IMSI Manager has to forward overflowing requests from the pacing queue to Session Manager through a messenger call to send back error response. The IMSI Manager spends more time on messenger read and write. The IMSI Manager CPU reaches high values when the incoming call rate is very high (both SGSN/MME) though the network overload protection is configured. To ensure that the IMSI Manager CPU is under control, the IMSI Manager reduces certain messenger activities on reaching the default CPU threshold of 70%. This threshold value is fixed and this feature is enabled by default. This value is currently non-configurable. The IMSI Manager drops the overflowing requests from the pacing queue when the CPU crosses 70% mark instead of rejecting the request. Every IMSI Manager instance monitors its CPU usage independently and actions are taken according to the CPU usage.

#### Relationships to Other Features

Attach throttling feature will have an impact due to this feature enhancement. Once the CPU reaches the threshold of 70%, the messages will be dropped (irrespective of configured action).

## Monitoring and Troubleshooting IMSI Manager Overload Control

New statistics are introduced as a part of feature which can be viewed in the Debug mode. The operator can use these statistics to find the number of requests dropped due to overload.

### Show Command(s) and/or Outputs

This section provides information regarding show commands and/or their outputs:

#### **show demuxmgr statistics imsimgr all**

These counters are available for both MME and SGSN separately.

- Requests dropped due to pacing queue with High Imsimgr CPU

Apart from the statistics listed above, SGSN Network Overload protection statistics which were only available in the show gmm-sm statistics are now available as a part of show demuxmgr statistics imsimgr all. The show output is realigned for better readability. Debug logs are also provided to display the current CPU usage.



## CHAPTER 55

# IMSI Manager Scaling on the MME

Simply put, IMSI Manager Scaling enables multiple IMSI Managers per MME. To facilitate MME operations on Cisco's higher capacity platforms, such as ASR 5500 and Cisco's Virtual Packet Core (VPC)- Distributed Instance (DI) platform, the MME enables scaling up the number of IMSI Managers supported on ASR 5500 and VPC-DI platforms. Scaling the number of IMSI Managers means the MME's IMSI Manager is not a bottleneck on enhanced platforms.

- [Feature Description, on page 563](#)
- [How It Works, on page 564](#)
- [Configuring IMSI Manager Scaling, on page 565](#)
- [Monitoring and Troubleshooting the IMSIMgr Scaling, on page 567](#)

## Feature Description

### Overview

The IMSI Manager (IMSIMgr) is the de-multiplexing process that selects the Session Manager (SessMgr) instance to host a new session. The IMSIMgr selects the SessMgr instance based on a demux algorithm logic to host a new session by handling new calls requests from the MME Manager (MMEMgr), EGTPC Mgr, and the (e)SGTPCMgr (handles new MME handoffs). The new call requests or signaling procedures include Attach, Inter-MME TAU, PS Handover, and SGs, all of which go through the IMSIMgr. The IMSIMgr process also maintains the mapping of the UE identifier (e.g., IMSI/GUTI) to the SessMgr instance.

With the addition of support for the expanded capacities of the VPC-DI and ASR5500 platforms, the MME's IMSIMgr had become a bottleneck. With Release 18.0, the **IMSI Manager Scaling** feature increases the number of IMSIMgrs that can be made available on the MME - scaling from 1 to a maximum of 4 in releases prior to 21.0 and a maximum of 8 from release 21.0 onwards. The number is configurable (see *Configuration* section below).



---

**Important** IMSIMgr Scaling is only available on the ASR 5500 and the VPC-DI platforms. The maximum number of IMSIMgrs supported on the SSI platform remains at "1".

---

Customers will notice the following when the configured number of IMSIMgrs setting is changed for more than 1:

- It is possible to initiate an audit request for a single, specific IMSIMgr instance.

- Increased tolerance for configurable MME per service session limits. This can be visualized when configuring commands such as bind in the MME Service configuration mode.
- Increased tolerance for Attach rate control as the MME Attach rate control will be independently enforced by each IMSI Mgr instance.

## Relationships to Other Features

The MME's use of the following features has been changed when multiple IMSIMgrs are configured:

- Attach Rate Throttling
- MME per service session limits
- Monitor Subscriber 'next call'
- Congestion Control
- MME traps generated by IMSI Manager

For details about the changes, refer to the *How It Works* section.

## How It Works

### Workings of IMSIMgr Scaling

It is the MMEMgr/EGTPC Mgr/SGTPC Mgr that selects an IMSIMgr instance to be contacted for session setup. Each subscriber session in the SessMgr maintains the IMSIMgr instance ID that 'hosts' the mapping for this IMSI. This information is required when communicating during audit and session recovery scenarios.

With a single IMSIMgr instance present, there is only one centralized entry point for new calls into the system. By increasing the number of IMSIMgr instances, the new call handling (primarily for Attach and SGs procedures) capacity of the MME is increased as the calls are distributed across multiple instances. The call distribution logic across IMSIMgrs utilizes a simple hash operation on IMSI/GUTI to select the IMSIMgr instance.

The IMSIMgr and SessMgr interactions are the same as those employed when IMSIMgr scaling is not implemented. Once the IMSI is found, the SessMgr performs hash on the IMSI to acquire the "target" IMSIMgr instance ID. Once the IMSI is known, the NOTIFY-IMSI Request will be sent from the SessMgr to the "target" IMSIMgr instance. The "target" IMSIMgr instance updates the mapping table with this "IMSIMgr ID" mapping. This ensures that any further IMSI-based requests from this subscriber will land on the correct SessMgr.

### Attach Rate Throttling

With multiple IMSIMgrs, the configured number of allowed Attaches is divided between the configured number of IMSIMgrs. As throttling is now distributed, 100 accuracy cannot be achieved as with a single IMSIMgr, so a minor impact in accuracy based on the incoming rate in every IMSIMgr will result in a limited number of calls being dropped/rejected.

### MME Service Session Limits

As a result of IMSIMgr Scaling, a behavior change has been implemented with regard to MME service session limits. Now all IMSIMgr instances will send the current count of sessions per MME service to the MMEMgr via existing response messaging. The MMEMgr shall send the same data received from multiple IMSIMgr instances back to the IMSIMgr in existing request messaging. As a result, each IMSIMgr shall know the session count per MME service for all IMSIMgr instances.

Given this information, the per MME service session limits can now be enforced by each IMSIMgr instance. The per service session limit is configured by the command **bind s1-mme max-subscribers** *number* (refer to the *Command Line Interface Reference* for command details).

### Monitor Subscriber 'next-call'Option

The monitor subscriber next-call option is used to trace the next incoming call into the system. With multiple IMSIMgr instances, the session controller now sends the next-call details to IMSIMgr instance 1. So, the next incoming call through IMSIMgr instance 1 is monitored.

### Congestion Control

All IMSIMgrs will be involved in congestion control and traps will be generated by all IMSIMgrs. The IMSIMgrs are updated with information on critical parameters that lead to congestion control and each IMSIMgr instance sends traps indicating congestion status.

### IMSIMgr ID in Traps

Each IMSIMgr instance independently generates traps for each new allowed or disallowed call. The trap information includes the IMSIMgr instance ID.

### SessMgr Instance Mapping

From Release 18 and forward, the Diameter Proxy Server queries the MME's IMSIMgr instances to obtain IMSI information in support of SessMgr instance mapping.

## Configuring IMSI Manager Scaling

This section documents configuration of IMSI Manager Scaling and configuration for related functionality.

### Configuring Support for Multiple IMSIMgrs

Use the following configuration to configure the parameters for IMSI Managers. In support of the IMSI Manager Scaling feature, the **max** keyword sets the maximum number of IMSIMgrs that can be spawned on the MME.




---

**Important** The **max** keyword is only visible when the MME is running on ASR 5500 or VPC platform.

---

#### configure

```
task facility imsimgr { avoid-sessmgr-broadcast | max number_imsimgrs |
sessmgr-sessions-threshold high-watermark high_value low-watermark low_value
}
end
```

Notes:

- **max** *number\_imsimgrs* must be an integer from 1 to 4 for release prior to 21.0. From release 21.0 onwards the maximum number of IMSI Managers per chassis is enhanced to 8.



**Note** After you configure the **task facility imsimgr max** command, you must save the configuration and then reload the chassis for the command to take effect. For information on saving the configuration file and reloading the chassis, refer to the *System Administration Guide* for your deployment.

The table below lists the default and maximum values for each platform:

Platform and card type	Default number of IMSI managers per chassis	Maximum number of IMSI managers per chassis
ASR5500 with DPC	4	4
ASR5500 with DPC2	8 <b>Note</b> For releases prior to 21.0, the default number of IMSI managers per chassis was "4"	8 <b>Note</b> For releases prior to 21.0, the default number of IMSI managers per chassis was "4"
VPC-SSI LARGE/MEDIUM	1 1	1 1
VPC-SSI SMALL/FORGE	1	1
SCALE LARGE/MEDIUM	4	4
ASR5700	4	4

For further information on the other command keywords and the use of the command prefixes, see the *Command Line Interface Reference*.



**Important** **max** is a **boot-time** configuration setting. It is added in the configuration file before any MME related configuration is created or any IMSI Manager is started. Run-time (dynamic) configuration of this parameter is stored but not effective until after the next **reboot**. Any attempt at dynamic configuration of this parameter results in a display of the following error message:

IMSI mgrs already started. So modify the configuration file and reboot the system with updated configuration.

## Verifying the IMSI Mgr Scaling Configuration

Use one of the following commands to display/verify the number of IMSIMgrs configured per chassis.

```
show task resources facility imsimgr all
```

```
show configuration
```

Notes:



The **task facility imsimgr max** field is added to the output of the **show configuration** command.

## Configuring IMSIMgr Audit

With the ability to configure the MME to support more than one IMSIMgr instance, it becomes important to be able to selectively monitor each IMSIMgr instance. With the following command issued from the **Exec** mode, the operator can initiate an audit request for just one IMSIMgr instance at a time:

```
mme imsimgr instance instance_id audit-with sessmgr { all | instance
instance_id }
```

Notes:

- **imsimgr instance *instance\_id***: Enter an integer from 1 to 4 to identify the specific IMSIMgr instance for which the audit is to be performed.
- **all | instance *instance\_id***: Select all to initiate an audit for all SessMgr instances or select instance and for *instance\_id* enter an integer from 1 to 1152 to identify a specific SessMgr for the audit.

# Monitoring and Troubleshooting the IMSIMgr Scaling

## Displaying IMSIMgr Instance Information

The following commands generate output that displays information about IMSIMgr Instances:

**show subscribers mme-only full all** - This command displays IMSIMgr instance information for subscriber session(s).

**show mme-service session full all** - This command displays IMSIMgr instance information for MME service session(s).

**show mme-service db record call-id** - This command displays IMSIMgr instance information based on call-id records.

## Displaying IMSIMgr Selection Counter Information

The following commands generate output that displays selection counter information for an IMSIMgr instance:

**show demux-mgr statistics sgtpcmgr instance *instance*** - This command updates to display IMSI Mgr selection counter information.

**show demux-mgr statistics egtpegmgr all** - This command updates to display IMSI Mgr selection counter information.

**show session subsystem facility mmemgr instance *instance*** - This command updates to display IMSIMgr selection counter information.

## Displaying IMSIMgr Instance Information in the SNMP Trap

Use the following command to display IMSIMgr instance specific fields in the SNMP trap:

**show snmp trap history** - SNMP trap now includes the IMSIMgr instance information

- Internal trap notification 1249 Imsimgr instance: 1 (MMENewConnectionsDisallowed) - MME new connections disallowed, initial reason test

- Internal trap notification 1249 Imsimgr instance: 1 (MMENewConnectionsDisallowed) - MME new connections allowed

## Bulk Statistics

Currently, there are no bulk statistics used to track IMSIMgr instance-specific information.



## CHAPTER 56

# No IMSI or MSISDN Included in LRR for VoLTE EM Call from User of Foreign Network

- [Feature Summary and Revision History, on page 569](#)
- [Feature Changes, on page 570](#)
- [Command Changes, on page 570](#)

## Feature Summary and Revision History

### Summary Data

Applicable Product(s) or Functional Area	MME
Applicable Platform(s)	<ul style="list-style-type: none"> <li>• ASR 5500</li> <li>• VPC-DI</li> </ul>
Feature Default	Disabled - Configuration Required
Related Changes in This Release	Not Applicable
Related Documentation	<ul style="list-style-type: none"> <li>• <i>Command Line Interface Reference</i></li> <li>• <i>MME Administration Guide</i></li> </ul>

### Revision History

Revision Details	Release
Unauthorized IMSI is sent in the LRR message using the CLI.	<ul style="list-style-type: none"> <li>• 21.27</li> <li>• 21.26</li> <li>• 21.25.6</li> </ul>

## Feature Changes

**Previous Behavior:** Unauthorized International Mobile Subscriber Identity (IMSI) is not sent in the LRR message.

**New Behavior:** The **unauth-imsi** CLI allows MME to send unauthorized IMSI in the LRR message when available.

## Command Changes

Use the following configuration to enable unauthorized IMSI in the LRR message.

```
configure
  context context_name
    location-service service_name
      slr emergency unauth-imsi
    end
```

### NOTES:

- **slr emergency unauth-imsi:** Allows MME to send unauthorized IMSI in the LRR message when available.



## CHAPTER 57

# Integrity and Confidentiality Algorithms for UE

This chapter describes the implementation of Integrity and Confidentiality Algorithms for UEs in Limited Service Mode (LSM), and UEs that cannot be authenticated by the MME, to establish emergency calls.

- [Feature Description, on page 571](#)
- [Configuration Information, on page 572](#)

## Feature Description

In this feature, UEs that are in limited service mode (LSM) and UEs that cannot be authenticated by the MME are allowed to establish emergency calls.

MME uses EEA0 (Integrity) and EIA0 (Ciphering) algorithms for emergency attach requests even if the UE does not advertise the support of these algorithms in the request message, to successfully process the VoLTE emergency calls. These algorithms successfully process the VoLTE calls irrespective of the validation level configured for a UE.

The MME provides options to authenticate emergency attaches using the following CLI:

```
ue-validation-level { auth-only | full | imsi | none }
```

Using the above command syntax, it is possible to configure the MME to allow or disallow unauthenticated UEs in LSM to establish bearers for emergency calls. To establish bearers for an emergency call for unauthenticated UEs in LSM, the MME allows NAS protocol to use EIA0 and EEA0 as the integrity and ciphering algorithm respectively.

If the MME allows an unauthenticated UE in LSM to establish bearers for emergency calls on receiving an emergency attach request message from the UE, the MME:

- Selects an algorithm based on the UE's announcement only if the MME supports the requested algorithm. If the MME does not support the requested algorithm or if there is no algorithm announced, then the EEA0 and EIA0 algorithms are used.
- Set the UE EPS security capabilities to only contain EIA0 and EEA0 when sending these to the eNB in the following messages:
  - S1 UE INITIAL CONTEXT SETUP
  - S1 UE CONTEXT MODIFICATION REQUEST
  - S1 HANDOVER REQUEST



---

**Note** As a result, the MME only sends a UE with EPS security capability containing EIA0 and EEA0 to the eNB when selecting EIA0 for NAS integrity protection because the eNB is only capable of selecting EIA0 for AS integrity protection and EEA0 for AS confidentiality protection. In general, if EIA0 is used for NAS integrity protection, then EIA0 will always be used for AS integrity protection or vice-versa

---

The rules for when the MME selects the EIA0 for NAS integrity protection, and when the UE accepts a NAS security mode command selecting EIA0 for NAS integrity protection depends on whether the UE and MME can be certain that no EPS NAS security context can be established. For more information on these rules, refer to *3GPP 33.401 specifications* document.

## Configuration Information

The MME provides options to authenticate emergency attaches using the following CLI:

```
ue-validation-level { auth-only | full | imsi | none }
```

- The ***auth-only*** keyword specifies that only authenticated UEs are allowed to use the emergency bearer services.
- The ***full*** keyword specifies that only UEs that have been authenticated, and have successfully passed subscription and location validation, are allowed to use the emergency bearer services.
- The ***imsi*** keyword specifies that UEs with an International Mobile Subscriber Identity are allowed to use the emergency bearer services regardless of authentication. Even if authentication fails, the UE is granted access to use emergency bearer services.
- The ***none*** keyword specifies that all UEs are allowed to use the emergency bearer services. This keyword is used as a default option.



## CHAPTER 58

# IPNE Service

With Release 18, the MME supports IP Network Enabler (IPNE).



---

**Important** This feature, with its CLI commands, counters, and statistics, are all under development for future use and the information listed here is recommended for testing and lab use only. When the feature is ready for deployment then additional information will be added to this chapter.

---

- [Feature Description, on page 573](#)
- [How It Works, on page 574](#)
- [Configuring MME Use of IPNE, on page 574](#)
- [Monitoring and Troubleshooting the IPNE Service, on page 575](#)

## Feature Description

IP Network Enabler (IPNE) is a Mobile and IP Network Enabler (MINE) client component that collects and distributes session and network information to MINE servers. The MINE cloud service provides a central portal for wireless operators and partners to share and exchange session and network information to realize intelligent services.

The information is shared between the MINE server and IPNE service in the form of XML data. The core object in the IPNE service is the XMPP protocol engine. There is one XMPP protocol engine instance for each configured MINE server peer. The engine implements the XMPP protocol using FSM.

All information that is shared is derived from the context at that instance in time. An IPNE service level scheduler is also implemented to rate-control the feed and notification activities on all the handles to avoid overload which would affect call processing and data path performance.

With support of the IPNE interface and IPNE Service, the MME is able to export the following information to the CSB (Cisco Service Bus):

- UE Location Information
- UE Mobility Information

The ability to export to the CSB makes it possible for operators to design and/or implement solutions and services for network optimization, congestion, troubleshooting and monetization with the information exported from the MME.

IPNE is a licensed Cisco feature. Contact your Cisco account representative for information on licensing requirements. For information on installing and verifying licenses, refer to the *Managing License Keys* section in the *System Administration Guide*.

## How It Works

### IPNE

When the MME service is associated with an IPNE service, then the MME service communicates with the IPNE service through the Session Manager over a SINE interface. The IPNE service communicates with CSB over XMPP protocol.

Information is exchanged between the modules in the form of clp handles. For each session one IPNE handle is created.

## Configuring MME Use of IPNE

There are multiple components that need to be configured to enable the MME to utilize the IPNE service:

- IPNE service
- IPNE endpoint
- association with MME service

## Configuring IPNE Service

The IPNE service is a separate service configuration.




---

**Important** We recommend that you configure the IPNE service in the same context in which the MME service has been configured.

---

```
config
  context context_name
    ipne-service ipne_svce_name
  end
```

Notes:

- *ipne\_service* - Enter 1 to 63 alphanumeric characters to create a *unique* IPNE service name within the context and to enter the IPNE Service configuration mode. Entering the mode provides access to the commands, such as **ipne-endpoint**, needed to configure the IPNE service parameters.
- **no** - As a prefix of the command disables the feature when it has been enabled with this command and removes the IPNE service definition from the MME's configuration. If an IPNE service is to be removed and the service has active handles, then the handles are deleted using a timer-based approach and then the IPNE service is removed.



## Configuring the IPNE Endpoint

After the IPNE service is created, the IPNE endpoint definition should be added to the configuration. An IPNE endpoint is a combination of a local IP address, a peer address and, optionally, a port. Entering the **ipne-endpoint** command also provides access to the commands in the IPNE Endpoint configuration mode that are used to define the operational parameters required by the endpoint.

```

config
  context context_name
    ipne-service ipne_svce_name
      ipne-endpoint
        bind { ipv4-address | ipv6 address } ip_address
        peer { ipv4-address | ipv6 address } ip_address
        end
        no { bind | peer }

```

Notes:

- { **ipv4-address** | **ipv6-address** } *ip\_address*: Identify the type of IP address - either IPv4 or IPv6 - and then enter either an IPv4 dotted-decimal or an IPv6 colon-separated hexadecimal notation.
- As part of the **bind** command, the IP address identifies the IPNE client socket as the local address.
- As part of the **peer** command, the IP address identifies the MINE server as the peer address.
- **no** - Include as a prefix of either the **bind** or **peer** command to remove the bind address or the peer address from the IPNE endpoint configuration.

## Configuring the Association with MME Service

A special **ipne-service** keyword has been added to the **associate** CLI to associate the created IPNE service with the MME service:

```

configure
  context context_name
    mme-service mme_srvc_name
      associate ipne-service ipne_srvc_name
      no associate ipne-service
      end

```

Notes:

- *ipne\_srvc\_name* - Enter 1 to 63 alphanumeric characters to identify the *unique* IPNE service name that is within the same context as the MME service configuration.
- **no**- Include as a prefix of the command to disassociate the IPNE service definition from the MME service configuration.

## Monitoring and Troubleshooting the IPNE Service

### Show Command(s) and/or Outputs

This section provides information regarding show commands and/or their outputs in support of using the IPNE service on the MME.

## show ipne peers { all | service | summary }

This command generates a display of information for the IPNE service(s) and the TCP connection status for associated Session Manager(s). The following are sample displays:

```
show ipne peers all
SESSMGR : 1
Service Name: ipne-service      Context id: 3
Version : n/a
Local Address  : 192.168.120.1:45161
Peer Address  : 192.168.120.7:5222   State : [OPEN 0/1] [TCP]

show ipne peers summary
Service Name: ipne-service Context id: 3
Version : n/a
Local Address  : 192.168.120.1:45161
Peer Address  : 192.168.120.7:5222 State : [OPEN 144/144] [TCP]
```

Notes:

- **all** - Lists all of the peers of each IPNE service and the state of the TCP connections for every SessMgr. This command with **all** option is part of the support details (SSD) procedure.
- **service** - Requires the inclusion of an IPNE service name and displays information only for that service.
- **summary** - Generates a display similar to the **all** display but provides only summary TCP connection information for the SessMgrs.

## show ipne statistics { all | service | summary }

This command generates a display of information regarding the number of IPNE handles of each IPNE service and count information for query/response/subscription/feed messages for the SessMgrs. The command generates a display similar to the following:

```
show ipne statistics all
SESSMGR : 1
Service Name: ipne-service      Context id: 3
Total handles: 0
Local Address  : 192.168.120.1:0
Peer Address  : 192.168.120.7:5222
Total query      : 0
Total query response : 0          Success : 0          Failure : 0
Total update     : 0
Total update response: 0          Success : 0          Failure : 0
Total subscription : 0          Add      : 0          Delete   : 0
Total feed       : 0          Add      : 0          Delete   : 0
Total notification : 0
Total XML parser error: 0
IPNE messages discarded on tx queue:
Total discards   : 0
  Total Feed     : 0          Notify   : 0          Response : 0

show ipne statistics summary
Service Name: ipne-service Context id: 3
Total handles: 0
Local Address  : 192.168.120.1:0
Peer Address  : 192.168.120.7:5222
Total query : 0
Total query response : 0          Success : 0          Failure : 0
Total update : 0
Total update response: 0          Success : 0          Failure : 0
Total subscription : 0          Add : 0          Delete : 0
Total feed : 0          Add : 0          Delete : 0
Total notification : 0
Total XML parser error: 0
```

```
IPNE messages discarded on tx queue:
Total discards : 0
Total Feed : 0      Notify : 0      Response : 0
```

Notes:

- **all** - Lists all of the peers of each IPNE service and the state of the TCP connections for every SessMgr. This command with the **all** option is part of support details (SSD) procedure.
- **service** - Requires the inclusion of an IPNE service name and displays information only for that service.
- **summary** - Generates a display similar to the **all** display but provides only summary TCP connection information for the SessMgrs.

## show bulkstats variables mme

Entering this command causes the system to display all of the bulk statistic variables in the MME schema. The 6 bulk statistic variables listed below have been added to the MME schema to enable the operator to track messaging related to IPNE-paging. For descriptions of the bulk statistic variables, refer to the *Statistics and Counters Reference* for StarOS Release 18 or higher.

- signaling-ipne-paging-init-events-attempted
- signaling-ipne-paging-init-events-success
- signaling-ipne-paging-init-events-failures
- signaling-ipne-paging-last-enb-success
- signaling-ipne-paging-last-tai-success
- signaling-ipne-paging-tai-list-success





## CHAPTER 59

# Limiting the Number of SGWs Tried

This feature enables the operator to configure the number of pooled SGWs to be tried.

- [Feature Description, on page 579](#)
- [How It Works, on page 580](#)
- [Configuring a Limit to the Number of SGWs Tried, on page 580](#)

## Feature Description

With Releases 18.6, 19.4, 20.0 and higher, the operator can configure the MME to enable limiting the number of SGWs tried when the MME is attempting to find an available SGW during Attach or Handover procedures. If the feature-specific **sgw-retry-max** command is configured, as described in the *Configuring a Limit to the Number of SGWs Tried* section (see below), then:

- the MME's default retry behavior is ignored, and
- the MME limits the retries with different SGWs from the DNS pool to only retry a maximum of the configured number of times.

### Default Behavior

If this feature is not enabled or is disabled, the MME uses or falls back to the default behavior which is in compliance with 3GPP TS 29.274, Section 7.6. The MME sends Create-Session-Request message to one SGW in the pool. If the SGW node is not available, the MME picks the next SGW from the pool and again sends a Create-Session-Request message. The MME repeats this process. For an Attach procedure, the MME tries up to five (1 + 4 retries) different SGWs from the pool. In the case of a HO procedure, the MME will try every SGW in the entire pool of SGWs sent by the DNS. If there are no further SGW nodes available in the DNS pool or if the guard timer expires, then MME stops trying and sends a Reject with cause "Network-Failure" towards the UE and the UE must restart the Attach/Handover procedure.

For statically configured SGW nodes (i.e. when no DNS is used) SGW selection takes place only once. If Create-Session-Request times out or SGW responds with a reject Cause value in Create-Session-Response, no subsequent SGW selection is attempted by MME.

### Benefits

The amount of signaling at Attach or Handover can be reduced.

The amount of time to find an available SGW can be reduced.

## How It Works

The operator has access to a feature-specific CLI command **sgw-retry-max** to enable this feature and override the default behavior. **sgw-retry-max** `sgw-retry-max` configures the maximum number of SGWs to be *retried* from the DNS pool list during either Attach or Handover procedures. So the limit to the number of tries will be  $1 + \text{limit set}$ . The command is only applicable to scenarios, where SGW is selected from the DNS pool (i.e. not taken from static configuration of MME).

For either Attach or Handover procedures, the MME sends Create-Session-Request message to one SGW in the pool. If the SGW node is not available, the MME picks the next SGW from the pool and retries. It again sends a Create-Session-Request message. At most, the MME retries only as many times as the number of retries configured with the **sgw-retry-max** command. If no SGW responds or only responds negatively and the MME reaches the configured limit for retries, then MME stops trying and sends the UE a Reject with cause "Network-Failure". At this point, the UE must restart the Attach/Handover procedure.

This feature-specific command is available for provisioning in both the MME service configuration and the Call-Control Profile configuration. To enable the feature, the feature-specific command must be configured under MME service configuration. We recommend provisioning under both modes. If **sgw-retry-max** **sgw-retry-max** command is configured under both MME service and Call-Control Profile, then the configuration under Call-Control Profile takes precedence.

The configuration under the Call-Control Profile provides the operator with additional control over "roamers" and "homers". For example, if **sgw-retry-max** under Call-Control Profile is set to 2 and if **sgw-retry-max** under MME service is set to 4, then if a "homer" subscriber Attaches, the MME retries 2 times but for all the subscribers other than "homers" the MME retries 4 times.

The feature is disabled with the entry of **no sgw-retry-max no sgw-retry-max** in the configuration. The MME reverts to the use of the default behavior.




---

**Important** To change the Reject cause code sent by the MME, use the **local-cause-code-mapping gw-unreachable** command in the Call-Control Profile configuration mode. Refer to the *Call-Control Profile Configuration Mode Commands* section in the *Command Line Interface Reference* for details.

---

## Configuring a Limit to the Number of SGWs Tried

### Enabling the Feature in the MME Service

Using the following configuration enables this feature in the MME service configuration. This feature sets the maximum number of SGW selection *retries* to be attempted during Attach/HO/TAU. This means, the total number of tries would be 1 (the initial try) + the **sgw-retry-max** value (the maximum number of retries).

```
configure
  context ctxt_name
    mme-service service_name
      sgw-retry-max max_number
    end
```

Notes:

- *ctxt\_name* - Identifies the context in which the MME service configuration resides. Enter a string of 1 through 79 alphanumeric characters
- *service\_name* - Identifies the previously configured MME service. Enter a string of 1 through 79 alphanumeric characters.
- *max\_number* - Sets the maximum number of retries possible. Enter an integer from 0 to 5. If 0 (zero) is configured, then the MME sends Create-Session-Request to the 1st SGW and if that SGW does not reply, the MME does not select any further SGW to retry. The MME then rejects the ongoing procedure (Attach/HO/TAU) and sends a Reject message.
- Entering this command enables the feature which overrides the default behavior.
- To disable this feature, enter **no sgw-retry-max** . The MME falls back to the default behavior.

### Enabling the Feature for Call-Control Profile

Using the following configuration enables this feature in the Call-Control Profile configuration. This feature sets the maximum number of SGW selection *retries* to be attempted during Attach/HO/TAU. This means, the total number of tries would be 1 (the initial try) + the **sgw-retry-max** value (the maximum number of retries).

#### configure

```
call-control-profile profile_name
  sgw-retry-max max_number
end
```

#### Notes:

- *profile\_name* - Identifies the previously configured Call-Control Profile. Enter a string of 1 through 64 alphanumeric characters.
- *max\_number* - Sets the maximum number of retries possible. Enter an integer from 0 to 5. If 0 (zero) is configured, then the MME sends Create-Session-Request to the 1st SGW and if that SGW does not reply, the MME does not select any further SGW to retry. The MME then rejects the ongoing procedure (Attach/HO/TAU) and sends a Reject message.
- Entering this command provides the operator with greater control over "roamers" and "homers". For example, if **sgw-retry-max** under Call-Control Profile is set to 2 and if **sgw-retry-max** under MME service is set to 4, then if a "homer" subscriber Attaches, the MME retries 2 times but for all the subscribers other than "homers" the MME retries 4 times.
- If the **sgw-retry-max** command is configured under both MME service and Call-Control Profile, then the configuration under Call-Control Profile takes precedence.
- To remove this configuration from the Call-Control Profile, enter **no sgw-retry-max** .

### Verifying the Feature Configuration

Use the **show configuration** command to generate output that displays the values configured with **sgw-retry-max** . The following illustrates the sections of the output that will indicate the **sgw-retry-max** configuration for either or both MME service and Call-Control Profile:

(please note that variables shown are for clarification and are not suggested or real)

```
[local]hostname# show configuration
... ..
mme-service mmesvc
... ..
  bind s1-mme ipv4-address 209.165.200.224
  msc default ip-address 209.165.201.0
  sgw-retry-max 2
  exit
... ..
... ..
call-control-profile ccp
... ..
  s1-reset detach-ue
  sgw-retry-max 3
  exit
```





## CHAPTER 60

# Load Balancing and Rebalancing and VoLTE Offloading

---

- [Feature Description, on page 583](#)
- [How it Works, on page 584](#)
- [Configuring Load Balancing and Rebalancing, on page 586](#)
- [Monitoring and Troubleshooting, on page 588](#)

## Feature Description

The sections below describe the load balancing and rebalancing functionality available on the MME. The MME also supports VoLTE Offloading.

### Load Balancing

Load balancing on the MME permits UEs that are entering into an MME pool area to be directed to an appropriate MME in a more efficient manner, spreading the load across a number of MMEs.

### Load Rebalancing

The MME load rebalancing functionality permits UEs that are registered on an MME (within an MME pool area) to be moved to another MME in the pool. The rebalancing is triggered using an exec command on the mme-service from which UEs should be offloaded.

When initiated, the MME begins to offload a cross-section of its subscribers with minimal impact on the network and users. The MME avoids offloading only low activity users, and it offloads the UEs gradually (configurable from 1-1000 minutes). The load rebalancing can off-load part of or all the subscribers.

The eNodeBs may have their load balancing parameters adjusted beforehand (e.g., the weight factor is set to zero if all subscribers are to be removed from the MME, which will route new entrants to the pool area into other MMEs).

### VoLTE Offloading

Offloading of a certain percentage of users can be configured using the **mme offload** command. The MME sends S1 Release (with cause "load balancing TAU required" for offload) to the configured percentage of

UEs attached to the MME. The MME does not distinguish between VoLTE and Non-VoLTE subscribers. Some subscribers with voice bearers are also offloaded as a result calls are dropped. This feature enhancement is targeted to preserve VoLTE voice bearers during MME offloading. A new CLI keyword is added to the **mme offload** command to preserve VoLTE subscribers (QCI = 1) from offloading until voice calls are terminated.




---

**Note** This feature enhancement is license controlled. Contact your Cisco Account or Support representative for information on how to obtain a license.

---

## Relationships to Other Features

MME load balancing can be used in conjunction with congestion control. For more information on congestion control, refer to the *Congestion Control* section in the Mobility Management Entity Overview chapter of the *MME Administration Guide*.

## How it Works

### Load Balancing

Load balancing is achieved by setting a weight factor for each MME so that the probability of the eNodeB selecting an MME is proportional to its weight factor. The weight factor is set by the operator according to the capacity of an MME node relative to other MME nodes. The **relative-capacity** mme-service level command is used to specify this relative weighting factor.

Once set, the Relative MME Capacity IE is included in the S1AP S1 SETUP RESPONSE message from MME to relay this weight factor. If the relative MME capacity is changed after the S1 interface is already initialized, then the MME CONFIGURATION UPDATE message is used to update this information to the eNodeB.

### Load Rebalancing

The MME uses the **mme offload mme-service** exec level command to enable the operator to offload UEs for a particular mme-service for load rebalancing among MMEs in a MME pool area. The command enables the operator to specify a percentage of UEs to offload, and the desired time duration in which to complete the offload.

The operator can also include the keyword option **disable-implicit-detach**. By default, if the UE context is not transferred to another MME within 5 minutes, the UE will be implicitly detached. This option disables this implicit detach timer.

To offload ECM-CONNECTED mode UEs, the MME initiates the S1 Release procedure with release cause "load balancing TAU required".

To offload UEs which perform TA Updates or Attaches initiated in ECM-IDLE mode, the MME completes that procedure and the procedure ends with the MME releasing S1 with release cause "load balancing TAU required".

To offload UEs in ECM-IDLE state without waiting for the UE to perform a TAU or perform Service request and become ECM CONNECTED, the MME first pages the UE to bring it to ECM-CONNECTED state.

### Call Handling and Other Messaging Considerations

New calls are processed normally (as per the new call policy configuration). The offloading process does not reject INIT UE messages for new subscribers. To prevent new calls from entering this MME, set the **relative-capacity** on this mme-service to 0.

When Init UE messages are received for an existing offloaded subscriber, the ue-offloading state is set as MARKED and the offload procedure continues until the UE is offloaded.

Once a UE is offloaded, messages such as EGTP events, Create bearer, Update bearer, Idle mode exit, and Paging trigger are be rejected. HSS initiated events also will be rejected for offloaded UEs.

Detach events are processed as usual.



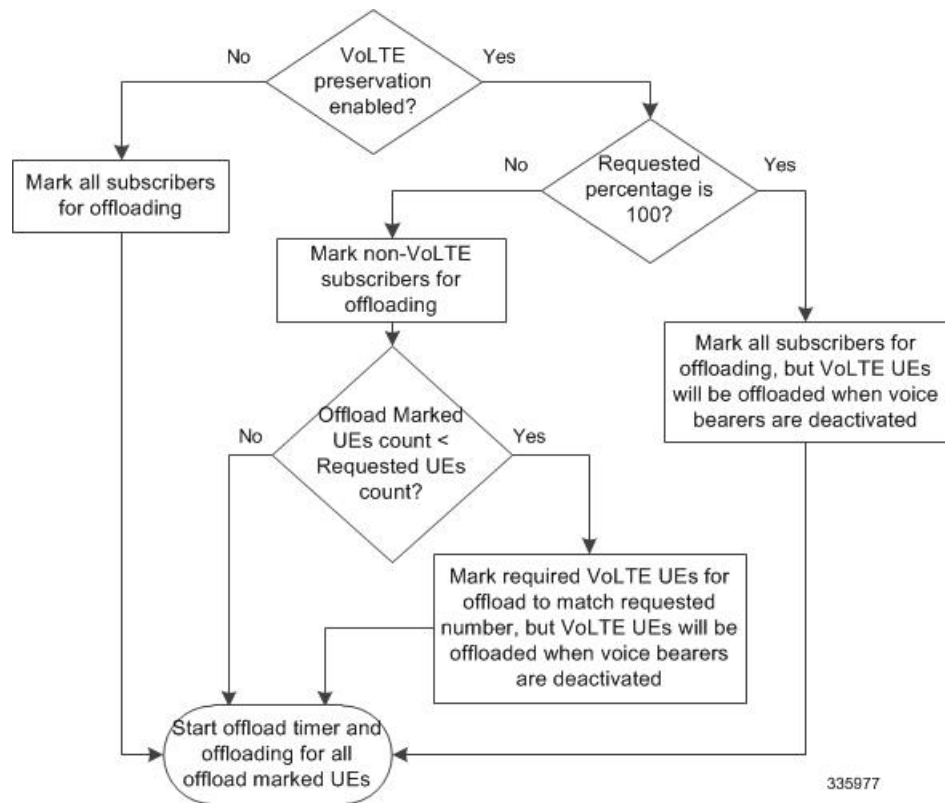
---

**Important** Emergency attached UEs in Connected or Idle mode are not considered for offloading.

---

## VoLTE Offloading

The **mme offload** command is enhanced with the keyword **preserve-volte-subscribers**, this keyword enables preservation of subscribers with voice bearers (QCI=1) from offloading until the voice bearers are deactivated. In any MME service both VoLTE and Non-VoLTE subscribers are present. The offload command now has options to configure the percentage of total subscribers to be offloaded and to preserve VoLTE subscribers from offloading until voice calls are terminated. With this feature enhancement if VoLTE preservation is not enabled, all subscribers are marked for offloading. But when the keyword **preserve-volte-subscribers** is enabled, Non-VoLTE subscribers are first marked for offloading based on configured offload-percentage. If the configured offload-percentage is greater than the available Non-VoLTE subscribers, VoLTE subscribers are also marked for offloading but the VoLTE UEs will be offloaded only when voice bearers are deactivated.



## Configuring Load Balancing and Rebalancing

### Configuring Load Balancing

Set the relative capacity of an MME service to enable load balancing across a group of MME services within an MME pool.

Use the following example to set the relative capacity of this MME service. The higher the value, the more likely the corresponding MME is to be selected.

```

config
  context context_name
    mme-service mme_svc -noconfirm
    relative-capacity rel_cap_value
  exit
  
```

Notes:

- **relative-capacity** *rel\_cap\_value* -- This command specifies a weight factor such that the probability of the eNodeB selecting this MME is proportional to this value in relation to other MMEs in a pool. *rel\_cap\_value* define the relative capacity by entering an integer from 0 to 255. The default relative capacity for an MME service is 255.
- The weight factor of the MME is sent from the MME to the eNodeB via S1-AP messages using the Relative MME Capacity S1AP IE in the S1AP S1 Setup Response. If the relative MME capacity is

changed after the S1 interface is already initialized, then the MME Configuration Update message is used to update this information to the eNodeB.

## Verifying Load Balancing

Enter the **show mme-service all** causes the MME to generate a display similar to the following to indicate the configured relative capacity:

```
show mme-service all
Relative Capacity:      50
```

## Performing Load Rebalancing (UE Offloading)

### Start Offloading

The following example command rebalances (offloads) 30 percent of all UEs from the specified MME service (to other MME services in the MME pool) over the course of 10 minutes.

```
mme offload mme-service mme_svc time-duration 10 offload-percentage 30
-noconfirm
```

This command can also be entered with the **disable-implicit-detach** option. By default, if the UE context is not transferred to another MME within 5 minutes, the UE will be implicitly detached. This option disables this implicit detach timer.

```
mme offload mme-service mme_svc time-duration 10 offload-percentage 30
disable-implicit-detach -noconfirm
```

### Stop Offloading

To stop the offloading process, issue the command with the **stop** keyword option.

```
mme offload mme-service mme_svc stop -noconfirm
```

## Verifying Load Rebalancing (UE Offloading)

The following command shows the offload configuration as well as the status of the rebalancing.

```
show mme-service name svc_name offload statistics
show mme-service name mme1 offload statistics
Current Offload Status: In Progress
Implicit Detach Status: Enabled
Time Duration Requested: 600 secs
Percentage of Subscribers Requested: 30
Total Number of Subscribers: 0
Total Number of Subscribers to be Offloaded: 0
Total Number of Subscribers Offloaded: 0
Total Number of Subscribers Received Context Transfer: 0
Remaining Time: 0 secs
```

Where the Current Offload Status field will report one of the following:

- **Not Started** No UEs marked for offloading and no UEs currently being offloaded.
- **In Progress** MME is currently offloading marked UEs.
- **Completed** Offload procedure is completed or has been terminated by operator using **stop** keyword.

These counters are reset each time an offload procedure is initiated, or when the following command is entered:

```
clear mme-service statistics offload
```

## Configuring VoLTE Offloading

The following configuration command is used to configure preservation of VoLTE subscribers from offloading during active calls (QCI=1); the offload command is enhanced with the key word **preserve-volte-subscribers** :

```
mme offload mme-service mme_svc_name { time-duration minutes offload-percentage
  percent [ disable-implicit-detach | preserve-volte-subscribers ] ] | stop
} [- noconfirm ]
```

By default, the subscribers with voice bearer with QCI = 1 will not be preserved during MME offloading. Configuring the keyword **preserve-volte-subscribers** enables preservation of subscribers with voice bearer.

The following example command re-balances(offloads) 30 percent of Non-VoLTE subscribers from the specified mme-service (to other mme-services in the MME pool) over the course of 30 minutes with VoLTE preservation.

```
mme offload mme-service mmesvc time-duration 30 offload-percentage 30
preserve-volte-subscribers
```

## Verifying VoLTE Offloading

The following show command display is used to verify if VoLTE preservation is enabled and the number of VoLTE subscribers preserved during offloading:

```
show mme-service name svc_name offload statistics
Current Offload Status : Completed
Implicit Detach Status : Disabled
Preserve VoLTE subscribers Status : Enabled
Time Duration Requested : 60 secs
Percentage of Subscribers Requested : 1
Total Number of Subscribers : 0
Total Number of Subscribers Marked for Offloading: 1
Total Number of Subscribers Offloaded : 0
Total Cumulative Number of Subscribers Offloaded: 2
Total Number of VoLTE Subscribers Preserved : 0
Total Cumulative Number of VoLTE Subscribers Preserved:7
Total Number of Subscribers Received Context Transfer: 0
Remaining Time : 0 secs
```

## Monitoring and Troubleshooting

The following sections describe commands available to monitor and troubleshoot this feature on the MME.

### Show Command(s) and/or Outputs

This section provides information regarding show commands and their outputs in support of load rebalancing (UE offload).

The following show command displays current statistics for the Load Rebalancing feature.

```
show mme-service name mme_svc offload statistics
```

**Table 46:** show mme-service name <mme\_svc\_name> offload statistics

Field	Description
Current Offload Status	Current offload status of the specified mme-service. Possible values are Not Started, In Progress and Completed.
Implicit Detach Status	The Implicit Detach Status specified in the <b>mme offload</b> command. When enabled, if the UE context is not transferred to another MME within 5 minutes then it will be implicitly detached.
Preserve VoLTE subscribers Status	Is displayed as “Enabled” when the keyword <b>preserve-volte-subscribers</b> is configured in the mme offload command. The status is displayed as “Disabled”, when VoLTE preservation is not configured. By default VoLTE preservation is disabled.
Time Duration Requested	The time-duration value specified in the <b>mme offload</b> command (in seconds). This is the maximum allowed time for the offload procedure to complete.
Percentage of Subscribers Requested	The offload-percentage specified in the <b>mme offload</b> command (specified as a percentage of all UEs on this mme-service).
Total Number of Subscribers	The total number of UEs on the specified mme-service.
Total Number of Subscribers Marked for Offloading	Displays the total number of subscribers marked for offloading during the current MME offload.
Total Number of Subscribers to be Offloaded	Total number of UEs on the specified mme-service selected for offloading.
Total Number of Subscribers Offloaded	The total number of UEs which have been successfully offloaded from this mme-service (UE offloading State/Event = Done).
Total Cumulative Number of Subscribers Offloaded	Displays the cumulative count of subscribers offloaded.
Total Number of VoLTE Subscribers Preserved	Displays the number of preserved VoLTE subscribers during and after MME offload.
Total Cumulative Number of VoLTE Subscribers Preserved	Displays the total numbers of subscribers preserved before starting the offload timer when the <b>mme offload</b> command is executed.
Total Number of Subscribers Received Context Transfer	Total number of UEs which has been successfully context transferred to another MME.
Remaining Time	The number of seconds remaining to complete the offload procedure.

The following command also provides information relating to load balancing:

```
show mme-service session full all
```

Only the output field which relates to load rebalancing is shown.

*Table 47: show mme-service session full all*

Field	Description
UE Offloading	Displays the UE offload state. Possible values are None, Marked, In-Progress and Done.





## CHAPTER 61

# Local Emergency Numbers List

- [Feature Description, on page 591](#)
- [How It Works, on page 591](#)
- [Configuring Local Emergency Number List IE, on page 592](#)

## Feature Description

Local Emergency Numbers List contains a list of emergency numbers that a caller uses to contact emergency services for assistance. Local Emergency Numbers List might differ from one country to another. The emergency numbers are usually configured as a three digit number for quick dialing.

The Local Emergency Numbers List contains additional emergency numbers used by the serving network. This list can be downloaded by the network to the User Equipment (UE) at successful registration as well as subsequent registration updates.



---

**Important** The UE uses the stored Local Emergency Numbers List received from the network in addition to the emergency numbers stored on the USIM or UE to detect if the number dialed is an emergency number.

---

A valid license key is required to enable this feature. Contact your Cisco Account or Support representative for information on how to obtain a license. This license was not enforced in earlier releases.

## How It Works

When a User Equipment is activated, the network sends a Local Emergency Numbers List to the UE through the ATTACH ACCEPT or the TRACKING AREA UPDATE ACCEPT messages. The user equipment stores the Local Emergency Numbers List provided by the network. The Local Emergency Numbers List, stored in the user equipment, is replaced on each receipt of the Emergency Number List IE.

The emergency number(s) received in the Emergency Number List IE, which is stored in the UE are valid only in the networks that belong to the same country. If the user equipment registers to a PLMN in a country different from that of the PLMN that sent the list, then the new network replaces the existing Local Emergency Numbers List IE list in the UE.

If the ATTACH ACCEPT or the TRACKING AREA UPDATE ACCEPT message does not contain the Local Emergency Numbers List, then the existing Local Emergency Numbers List in the UE is retained.

The Local Emergency Numbers List is deleted when the UE or USIM is switched off. The user equipment stores up to ten local emergency numbers received from the network. The operator can view the Attach Accept message and the TAU message by running the monitor protocol in the CLI command prompt.

## Limitations

The UE can download and store a maximum of only ten local emergency numbers from the network. Therefore, the MME supports the configuration of only ten local emergency numbers for a single UE.

## Standards Compliance

The Local Emergency Number List IE feature complies with the following standards:

- 3gpp TS 24.301, Version 11.10.0, Non-Access-Stratum (NAS) protocol for Evolved Packet System (EPS)
- 3gpp TS 24.008, Version 11.10.0, Mobile radio interface Layer 3 specification Core network protocols

## Configuring Local Emergency Number List IE

This section documents configuration of Local Emergency Numbers List IE and configuration for related functionality.

## Configuring Local Emergency Numbers

The Local Emergency Number List is configured under the lte-emergency-profile in the MME Service Configuration mode.

The following CLI commands are used to configure the Local Emergency Numbers in a particular network. By default, the emergency number list is sent through ATTACH ACCEPT messages.

The configuration given below allows the operator to send the Local Emergency Numbers through Attach or TAU messages.

```
config
  lte-policy
    lte-emergency-profile profile_name
      local-emergency-num emergency_number { ambulance | custom custom_name
| fire | marine-gaurd | mountain-rescue | police }
    end
```

The configuration given below allows the operator to send the Local Emergency Numbers through TAU Accept messages during Inter-MME-TAU messages or all TAU messages.

```
config
  lte-policy
    lte-emergency-profile profile_name
      local-emergency-num-ie
    end
```

Notes:

- The **local-emergency-num** keyword configures the Local Emergency Numbers to be sent in Attach or TAU responses.
- *emergency\_number* is a number assigned to a type of emergency number (ambulance, marine, and so on) with a string of size 1 to 10.
- *custom\_number* is specific to the **custom** local emergency number. *custom\_number* is a hexadecimal number from 0x1 to 0xFF
- The **no** command prefix removes the specified Local Emergency Numbers from the list. The **no** keyword also removes its following options in the **local-emergency-num-ie** configuration.
- The **local-emergency-num-ie** keyword with the **inter-mme-tau** option allows the configured local emergency number list to be sent in a TAU Accept during Inter-MME-TAUs, that is, when the UE switches from a 2G network to 3G network, from a 3G network to 4G network or from a 4G network to 4G network handover (for both idle and connected mode).
- The **local-emergency-num-ie** keyword with the **tau** option allows the configured local emergency number list to be sent in a TAU Accept message during all TAUs (for example, periodic TAUs and so on).

## Verifying the Local Emergency Numbers List IE Configuration

The following sections describe commands available to verify Local Emergency Numbers List IE on the MME.

### show lte-policy lte-emergency-profile summary

On executing this command the following fields are displayed for this feature:

```
Lte Emergency Profile emergency-profl
Lte Emergency Profile emergency-prof2
show lte-policy lte-emergency-profile name <profile_name>
```

### show lte-policy lte-emergency-profile name

On executing this command the following fields are displayed for this feature:

```
local-emergency-num 123 fire
local-emergency-num 112 police
local-emergency-num 110 ambulance
local-emergency-num 118 custom 0x1f
local-emergency-num-ie inter-mme-tau
```





## CHAPTER 62

# Location Services

LoCation Services (LCS) on the MME and SGSN is a 3GPP standards-compliant feature that enables the system (MME or SGSN) to collect and use or share location (geographical position) information for connected UEs in support of a variety of location services.

- [Location Services - Feature Description, on page 595](#)
- [How Location Services Works, on page 595](#)
- [Configuring Location Services \(LCS\), on page 601](#)
- [Monitoring Location Services \(LCS\), on page 604](#)
- [Configuring the SLs Interface, on page 605](#)
- [Monitoring SLs Services, on page 607](#)

## Location Services - Feature Description

The Location Services (LCS) feature enables the EPC MME and the GPRS/UMTS SGSN to use the SLg (MME) or Lg (SGSN) interface which provides the mechanisms to support specialized mobile location services for operators, subscribers, and third party service providers. Use of this feature and the SLg/Lg interface is license controlled.

The location information is reported in standard geographical co-ordinates (longitude and latitude) together with the time-of-day and the estimated errors (uncertainty) of the location of the UE. For external use, the location information may be requested by and reported to a client application associated with the UE, or a client within or attached to the core network. For internal use, the location information can be utilized by the SGSN for functions such as location assisted handover or to support other features.

Location information is intended to be used for

- location-based charging (e.g., home-location billing, roaming-location billing),
- location-based services (e.g., lawful interception, emergency calls),
- positioning services offered to the subscribers (e.g., mobile yellow pages, navigation applications on mobiles), and
- by the operator for service provider services such as network planning and enhanced call routing.

## How Location Services Works

The MME LCS responsibilities are to manage LCS positioning requests. The LCS functions of the MME are related to LCS co-ordination, location requests, and operation of the LCS services.

The operation begins with a LCS Client requesting location information for a UE from the LCS server. The LCS server will pass the request to the MME in the core network. The MME in the core network then:

1. verifies that the LCS Client is authorized to request the location of the UE or subscriber
2. verifies that location services are supported by the UE
3. establishes whether it (the MME) is allowed to locate the UE or subscriber, for privacy or other reasons
4. requests the access network (via S1 interface) to provide location information for an identified UE, with indicated QoS
5. receives information about the location of the UE from the Access Network and forward it to the Client

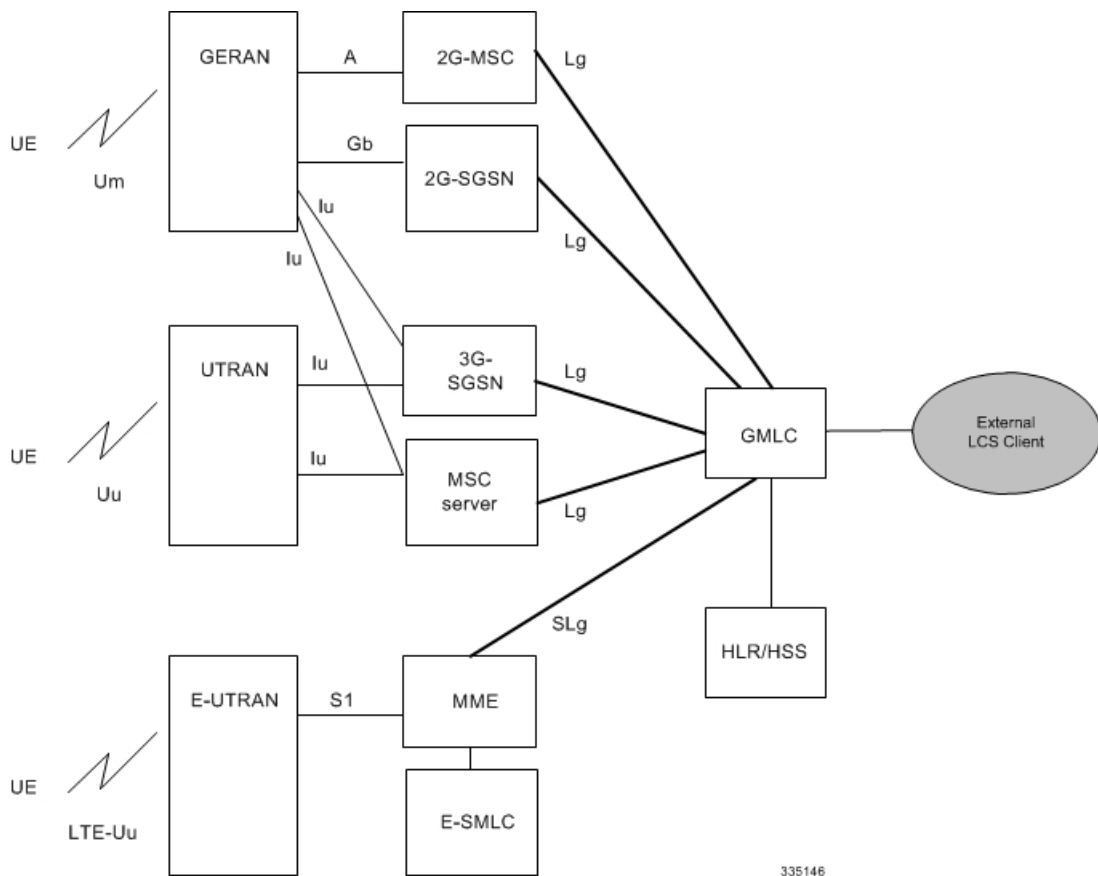
## Architecture

The MME is accessible to the Gateway Mobile Location Center (GMLC) via the SLg interface.

The MME is accessible to the Evolved Serving Mobile Location Center (E-SMLC) via the SLs interface.

The SGSN is accessible to the GMLC via the Lg interface.

**Figure 49: LCS Architecture**



The MME informs the HLR/HSS about a UE's location services capabilities for an EPC network.

## Supported Functionality

Development of MME support for LCS functions continues. The following lists the LCF functions that have been added, in the order they have been added:

- Immediate Mobile-Terminating Location Requests (MT-LI) [TS 3GPP 23.271].
- MT-LR procedures from the GMLC with client types of: Emergency Services, Value Added Services, PLMN Operator Services, and Lawful Intercept Services.
- Network Induced (NI-LR) procedures for Emergency PDN Connect and Emergency Attach, and Inbound relocation with emergency PDN (through TAU or SRNS).
- Circuit Switch Fallback (CSFB): When a UE is combined attached to the MME, and the CSFB registration is not for SMS-only services, the MME shall page UE on receipt of an SGs page with LCS Client identity.
- MME supports SLs interface: This interface is used to convey LCS Application Protocol (LCS-AP) messages and parameters between the MME to the Evolved Serving Mobile Location Center (E-SMLC). It is also used for tunneling LTE Positioning Protocols (LPP between the E-SMLC and the target UE, LPPa between the E-SMLC and the eNodeB), which are transparent to the MME. Refer to 3GPP TS 29.171 for more information.
- Supports UE signaling procedures for LCS. Refer to 3GPP TS 23.271 for more details.
- Supports UE and eNodeB signaling for LTE Positioning Protocol (LPP) and LTE Positioning Protocol A (LPPa). Refer to 3GPP TS 36.355 and 36.455 for more details.
- The MME supports sending the EMERGENCY\_CALL\_RELEASE event in a subscriber location report (SLR) request message, to the GMLC to notify the GMLC of the call release, when an emergency call is released or when an emergency PDN is disconnected at the MME. The call release event enables the GMLC to clear the cache for existing calls and to correctly log the duration of an emergency call. Without call release facilitating the clearing of the cache, the location platform could send the old (erroneous) location information in response to a new location request for an E-911 call. Refer to 3GPP TS 29.172 for more information.
- The MME supports sending the EMERGENCY\_CALL\_HANDOVER event, in a Subscriber Location Report (SLR) request message, to the configured GMLC, to notify the GMLC of the handover when an emergency call does an outbound handover from the MME. The SLR, sent when the outbound handover procedure completes, includes the UE Identity (UE's MSISDN, IMSI, and IMEI), the target service node ID (either MSC ID for SRVCC HO or SGSN ID for GnGp HO) if available, and the event type as handover. This ensures that the GMLC is aware that the subscriber has moved from the source MME and ensures location continuity for IMS emergency calls during SRVCC (PS to CS) handovers. For location continuity during SRVCC handover, the MME supports including the MSC ID in the target service node ID. However, since the MME does not have the expected target service node ID (MSC ID), the MSC ID must be mapped to the serving MSC IP-address information (part of the MME Service configuration) to derive the needed ISDN number (see *Map the MSC ID* in the Configuration section). The MME also includes the MSC identity in the target service node IE (per TS 29.172) as part of the Provide Subscriber Location Response (PSL), if an MT-LR procedure was in progress during SRVCC handover of an emergency call.
- In release 21.3, MME controls the initiation of Subscriber Location Report (SLR) towards GMLC for emergency calls over SLg interface. This helps in reducing the signaling storm towards GMLC for bogus emergency attaches when LCS is enabled at MME.

MME initiates the SLR towards GMLC upon creation (Call-Origination) and deletion (Call-Release) of dedicated bearer only. In case of multiple dedicated bearers, SLR message with Call-Origination is sent upon the first dedicated bearer creation and Call-Release is sent upon the last dedicated bearer deletion irrespective of QCI. This will override the old behavior of MME which initiates SLR towards GMLC upon the Emergency Attach/PDN creation/PDN deletion and Detach with appropriate event type (Call-Origination/Call-Release/Call-Handover). In case of Emergency PDN created as part of Emergency

Attach itself, MME will send the SLR with Call-Origination event once and Call-Release will be sent upon Emergency PDN deletion. Also, the SLR message with Call-Handover will be sent only when "Call-Origination" event gets notified to GMLC by MME (only if the dedicated bearer exists).

Refer to the *Enabling the Subscriber Location Report Message Trigger* section in this chapter for configuration related details.

## DSCP Marking for SLs Interface

SLs interface allows Differentiated Services Code Point (DSCP) marking functionality. DSCP marking helps in packet traffic management. DSCP marking can be performed on both IPv4 and IPv6 packets leaving the SLs interface.

Either the pre-defined DSCP values can be used for marking, or any arbitrary value ranging from 0x01 to 0x3F can be assigned. The default DSCP value is 0x00 or be (Best Effort). The default DSCP value is automatically set when the configuration is disabled.

```
config
  context context_name
    sls-service service_name
      [no] ip qos-dscp dscp_value
    end
```

- ip defines the Internet Protocol parameters for the packets leaving through the SLs interface.
- qos-dscp designates the Quality of Service - Differentiated Services Code Point value to the packet leaving through the SLs interface.
- dscp\_value is a value assigned to the packet for DSCP marking. The value can be a pre-defined DSCP value or an arbitrary value ranging from 0x01 to 0x3F.

## Limitations

Currently, MME support is limited to:

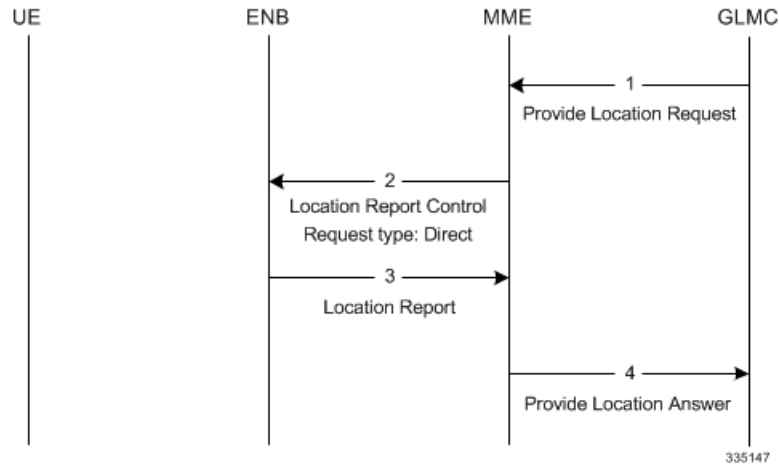
- A single location request at a time for the target UE. Concurrent location requests are not supported.
- Location reporting granularity is at the E-UTRAN Cell Global Identifier (EGCI) level only. Note: With SLs interface support, location estimate in universal co-ordinates is supported (Refer to 3GPP TS 29.172).
- The MME does not bind all the call events for an emergency call to a specific GMLC peer. As a result, if multiple GMLC peers are configured, the call events for a single emergency call can be sent to any of the configured GMLC peers.
- Provide subscriber Location request with MSISDN as Identifier is not supported.



# Flows

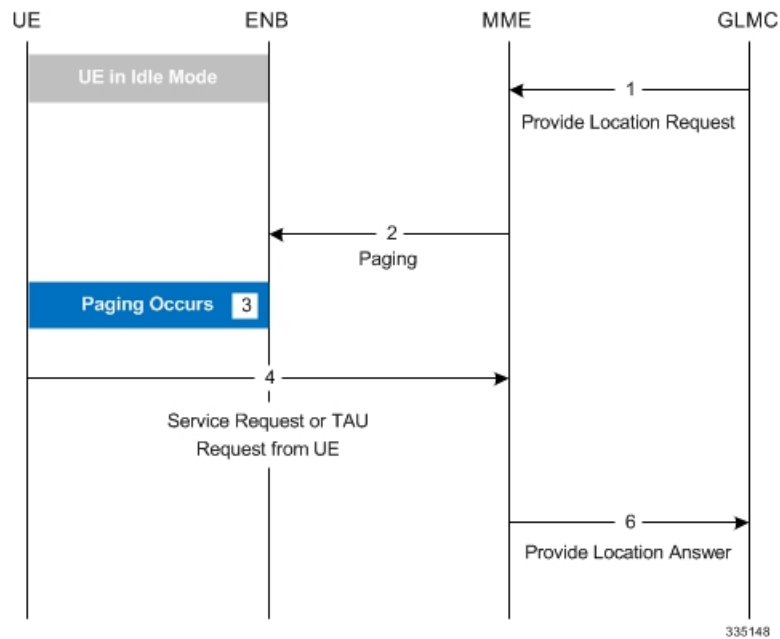
## Mobile Terminated Location Requests

Figure 50: 4G LCS - MT-LR Call Flow - Connected Mode



1. The MME receives a Provide Location Request from the GMLC. The UE is in Connected mode.
2. The MME sends Location Report Control message with request-type as 'Direct'.
3. The eNodeB (ENB) sends the current location of the UE (ECGI) in the Location report message.
4. The MME sends Provide Location Answer to GMLC with ECGI received in the location Report Message

Figure 51: 4G LCS - MT-LR Call Flow - Idle Mode

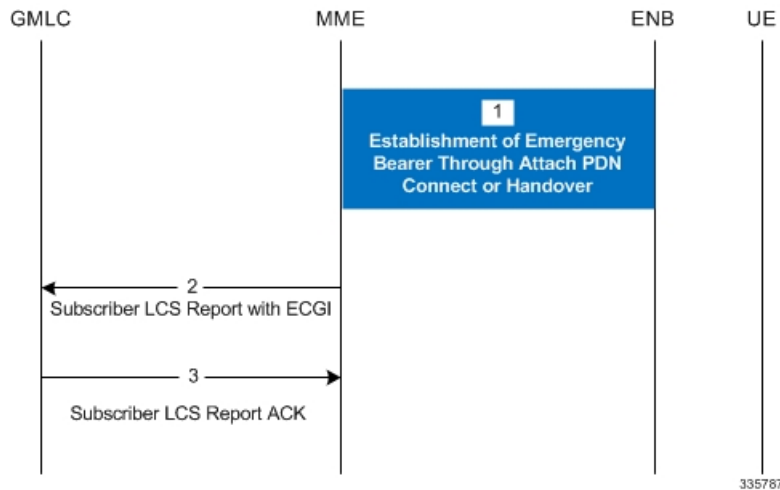


1. The MME receives a Provide Location Request from the GMLC. The UE is in idle mode.
2. The MME pages the UE.

3. If the UE does not respond to the page, the MME responds with the last known location and sets the age of location report accordingly if the Location Type requested by the GMLC was "current or last known location".
4. If paging is successful, the UE responds with Service request/TAU request.
5. The MME uses the ECGI in the S1 message and sends Provide Location Answer message to the GMLC.

### Network Induced Location Requests

Figure 52: 4G LCS - NI-LR Call Flow



1. The UE establishes Emergency bearers with MME. This could be a Emergency Attach or establishment of an Emergency PDN. Handover of an Emergency call from one MME to the other is also possible.
2. If the MME is configured to support Location service for emergency calls, the latest ECGI is sent in the Subscriber Location Report message to the configured GMLC.
3. The GMLC, on processing the Subscriber location report, sends the Subscriber location ACK. Note: A Negative ACK will not have any effect.

### EPC Mobile Terminating Location Request (EPC-MT-LR)

Refer to 3GPP TS 23.271 v10.4.0, Section 9.1.15

### EPC Network Induced Location Request (EPC-NI-LR)

Refer to 3GPP TS 23.271 v10.4.0, Section 9.1.17

### EPC Post Positioning Notification and Verification Procedure

Refer to 3GPP TS 23.271 v10.4.0, Section 9.1.18

### Mobile Originating Location Request, EPC (EPC-MO-LR)

Refer to 3GPP TS 23.271 v10.4.0, Section 9.2.6

### UE Assisted and UE Based Positioning and Assistance Delivery

Refer to 3GPP TS 23.271 v10.4.0, Section 9.3a.1

### Network Assisted and Network Based Positioning Procedure

Refer to 3GPP TS 23.271 v10.4.0, Section 9.3a.2

### Obtaining Non-UE Associated Network Assistance Data

Refer to 3GPP TS 23.271 v10.4.0, Section 9.3a.3

### Handover of an IMS Emergency Call

Refer to 3GPP TS 23.271 v10.4.0, Section 9.4.5.4 with the following provision: The MSC ID (expected target serving node ID) is not known to the MME so the MSC ID must be mapped (using CLI configuration, see *Map the MSC ID* in the *Configuration* section) to derive the ISDN number that is sent to the GMLC to support location continuity of SRVCC handover. This support added in 17.4.

## Standards Compliance

The Location Services feature complies with the following standards:

- TS 3GPP 23.271, v10.4.0
- TS 3GPP 23.272, v10.9.0
- TS 3GPP 24.080, v10.0.0
- TS 3GPP 24.171, v9.0.0
- TS 3GPP 29.172, v10.1.0

## Configuring Location Services (LCS)

This section provides a high-level series of steps and the associated configuration examples to configure Location Services on the MME.

The commands could be issued in a different order, but we recommend that you follow the outlined order for an initial LCS configuration. All listed configuration steps are mandatory unless otherwise indicated.



---

**Important** For all the required configuration commands to be available and to implement the configuration, the MME must have loaded the license for the Lg interface.

---

- 
- Step 1** Create a location service configuration on the MME.
  - Step 2** Associate the location service with the appropriate Diameter endpoint (origin host - MME and destination host - GMLC) for SLg interface .
  - Step 3** Associate the MME service with this location service.
  - Step 4** Associate the LTE Emergency Policy with this location service.
  - Step 5** Map the MSC ID and the MSC's IP-address.
  - Step 6** Enable or disable the generation of Subscriber Location Report (SLR) message upon dedicated bearer creation or deletion.
  - Step 7** Save your configuration to flash memory, an external memory device, and/or a network location using the Exec mode command **save configuration**. For additional information on how to verify and save configuration files, refer to the *System Administration Guide*.

**Step 8** Verify the configuration for each component by following the instructions provided in the *Verifying the Feature Configuration* section.

## Creating and Configuring a Location Service

In this section, configure the endpoints for the origin (the MME) and the destination host (the GMLC). A location service must be created within a context. Up to 16 separate location services can be created.



**Important** The origin host (the MME) configured in the endpoint for SLg interface must match the origin host configured in the endpoint for S6a interface.

```
config
  context context_name -noconfirm
    location-service location_svc_name -noconfirm
      associate diameter endpoint endpoint
    end
```

Notes:

- This series of commands creates a Location Service and associates the service with a diameter endpoint for the SLg interface.
- If multiple GMLC peers are configured, the call events for a single emergency call can be sent to any of the configured GMLC peers. If there are concerns about sending reports to different GMLCs, then configure only one peer GMLC as the SLg endpoint.

## Associate the MME Service with the Location Service

Once the location service is created and configured, the MME service must be associated with it. The steps below assume the MME service has already been created.

```
config
  context context_name -noconfirm
    mme-service mme_svc_name
      associate location-service location_svc_name
    end
```

Notes:

- This series of commands associates an MME service with the new location service.

## Associate the LTE Emergency Profile with the Location Service

Once the location service is created and configured, the LTE Emergency Profile must be associated with it. The steps below assume the LTE Emergency Profile has already been created.

This procedure enables the MME to provide location information of an emergency call to the GMLC.

```
config
  lte-policy
    lte-emergency-profile profile_name
```

```

associate location-service location_svc_name
end

```

Notes:

- This series of commands associates the LTE Emergency Profile with the new location service.

## Map the MSC ID

This configuration creates a mapping between the MSC ISDN number and the MSC's IP-address (either IPv4 or IPv6) to ensure location continuity for SRVCC handover. This mapping is required to include the MSV ID in the target service node IE for the Emergency\_Call\_Handover event.

**configure**

```

context context_name
  mme-service service_name
    msc-mapping ip-address { IPv4_address | IPv6_address } isdn isdn_number
    no msc-mapping ip-address { IPv4_address | IPv6_address }
  end

```

Notes:

- The MSC IP address, key part of the mapping definition, is used to identify a specific mapping definition.
- *isdn\_number*: Enter a numeric string upto 15 digits long.
- **no msc-mapping ip-address**: Identifies a specific MSC IP address mapping definition to remove from the MME Service configuration.
- MME Service supports a maximum of 24 MSC mappings.
- Use the **show mme-service** command to view configured mapping. the following is a sample of what the MSC mapping information would look like:

```

MSC IP-Address and ISDN Mapping
192.168.61.2      :      123456789012345
192.168.61.3      :      123456789012346

```

## Enabling the Subscriber Location Report Message Trigger

This configuration allows the MME to enable or disable the Subscriber Location Report (SLR) message trigger for emergency calls based on the dedicated bearer states either creation or deletion.

**configure**

```

context context_name
  location-service service_name
    [ no ] slr emergency dedicated-bearer-only
  end

```

Notes:

- In case of multiple dedicated bearers, the SLR message with Call-Origination is sent upon the creation of first dedicated bearer and Call-Release is sent upon the deletion of last dedicated bearer irrespective of QCI.
- By default, MME triggers the SLR message towards GMLC upon successful Emergency Attach/PDN creation/PDN deletion and Detach with appropriate event type (Call-Origination/Call-Release/Call-Handover).

## Verifying the Configuration

The SLR trigger configuration can be verified using the following show command.

**show location-service service name *service\_name***

The **SLR trigger for Emergency calls** field indicates the status of SLR trigger for emergency calls on executing the above command:

Displays the following information with configuration enabled:

**SLR trigger for Emergency calls : Dedicated Bearer Only**

Displays the following information with configuration disabled:

**SLR trigger for Emergency calls : Attach or PDN**

## Verifying the LCS Configuration

The following command displays configuration information for all Location services configured on the MME.

**show location-service service all**

The following command displays the location service to which each MME service is associated.

**show mme-service all**

The following command displays the location service to which the specified LTE Emergency Profile is associated.

**show lte-policy lte-emergency-profile *profile\_name***

The following command displays a list of all services configured on the system, including location services (listed as Type: lcs).

**show services all**

## Monitoring Location Services (LCS)

This section lists the bulk statistics and show commands that display operational statistics relating to Location services.

### LCS Bulk Statistics

LCS service related bulk statistics are provided within the **LCS** schema.

Use the following command to display a list of all variables available within this schema:

**show bulkstats variables lcs**

For more information about these statistics, refer to the **LCS Schema** chapter of the *Statistics and Counters Reference*.

## LCS Show Commands

The following command displays the configuration information for all Location services (LCS) configured on the system.

```
show location-service service name location_svc_name
```

The following command displays statistics for all Location services (LCS) configured on the MME.

```
show location-service statistics all
```

Use the following command to clear the LCS statistics for a specific Location service.

```
clear location-service statistics service location_svc_name
```

The following command displays LCS statistics for a specific MME service.

```
show mme-service statistics service mme-service mme_svc_name
```

Use the following command to clear MME service statistics for a specific MME service.

```
clear mme-service statistics mme-service mme_svc_name
```

## Event Logging

Event logging for the LCS (SLg interface) can be enabled using the following command:

```
logging filter active facility location-service level severity_level
```

Refer to the *System Logs* chapter of the *System Administration Guide* for more information about event logging.

## Configuring the SLs Interface

### Creating and Configuring the SLs Service

An SLs service must be created within a context. This service provides an interface from the MME to one or more E-SMLCs.

```
config
  context context_name -noconfirm
    sls-service sls_svc_name -noconfirm
      bind ipv4/v6-address ipv4/v6_address_value1 ipv4-address
ipv4/v6_address_value2 port sctp_port_num sctp-template sctp_param_template_name
      esmlc esmlc-id esmlc_id_value ipv4-address ipv4_address_value1 port
sctp_port_num weight weight
      t-3x01 low-delay seconds delay-tolerant seconds
      t-3x02 seconds
      max-retransmissions reset retries
    end
```

Notes:

- Up to 4 separate SLs services can be created on the system. The SLs service name must be unique across all contexts.

- The SLs service must be bound to at least 1 IP address. Up to 2 IPv4 or 2 IPv6 addresses can be specified for multi homing purposes. A valid SCTP Parameter Template must be defined in order for the SLs service to start. The default SCTP port is 9082.
- Up to 8 E-SMLC entries can be configured per SLs service. Up to 2 IPv4 or 2 IPv6 addresses can be specified for each E-SMLC for multi homing purposes. The MME performs a weighted round robin selection of E-SMLC based on the defined weight factor of 1 through 5, where 1 represents the least available relative capacity of the E-SMLC and 5 represents the greatest. The default SCTP port is 9082. A given E-SMLC can serve multiple SLs services on the same MME or even SLs services across separate MMEs.
- The **t-3x01** timer, **t-3x02** timer and **max-retransmission reset** command are all optional configurations.

## Associating the SLs Service with the Location Service

The SLs service provides an interface to the E-SMLC for the location service. The SLs service is not a critical parameter for location services. If this association is removed, there is no impact to existing transactions and future transactions will not use the SLs service.

```
config
  context context_name -noconfirm
    location-service loc_svc_name -noconfirm
      associate sls-service sls_svc_name
    end
```

## Configuring LCS QoS for Emergency Sessions

This new command defines the location service QoS settings to be used for this emergency profile.

```
config
  lte-policy
    lte-emergency-profile profile_name
      lcs-qos horizontal-accuracy variable vertical-accuracy variable
    end
```

Notes:

- Horizontal and vertical positioning accuracy values must be entered as an integer from 0 to 127, where 0 is the most accurate.
- Configuration of these settings is optional. For Emergency Services, the MME will always set the Response Time to Low Delay. If QoS is configured, the horizontal accuracy is mandatory. If a vertical accuracy is specified in this command, the MME will set the Vertical Requested flag. The LCS-Priority IE on SLs interface is always set to Highest-Priority for NI-LR call flows.

## Verifying the SLs Service Configuration

The following command displays configuration information for all SLs services on the MME:

```
show sls-service service all
```

The following command displays configuration errors and warnings related to all SLs services on the MME:

```
show configuration errors section sls-service verbose
```

The following command displays to which SLs service the location service is associated:



```
show location-service service all
```

The following command displays the configured Location Service (LCS) Quality of Service (QoS) for the specified LTE emergency profile:

```
show lte-policy lte-emergency-profile name
```

## Monitoring SLs Services

This section lists the SNMP traps, bulk statistics and show commands that display operational statistics relating to SLs services.

### SNMP Traps

The following traps are available to track status and conditions relating to the SLs service.

- **starSLSServiceStart**: An SLS Service has started.
- **starSLSServiceStop**: An SLS Service has stopped.

The following traps are available to track status and conditions of individual E-SMLC associations.

- **starESMLCAssocDown**: An ESMLC Association is down.
- **starESMLCAssocUp**: An ESMLC Association is up. This notification is only generated for an Association which has previously been declared down.

The following traps are available to track status and conditions of all E-SMLC associations.

- **starESMLCAIIAssocDown**: All the ESMLC Associations are down.
- **starESMLCAIIAssocDownClear**: At least one ESMLC associations is up. This notification is only generated for all the Association which have previously been declared down.

### SLs Bulk Statistics

SLs service related bulk statistics are provided within the **SLs** schema.

Use the following command to display a list of all variables available within this schema:

```
show bulkstats variables sls
```

For more information about these statistics, refer to the **SLs Schema** chapter of the *Statistics and Counters Reference*.

### SLs Service Show Commands

The following command displays SLs service statistics and/or related SCTP statistics. These statistics can be filtered based on SLs service name or E-SMLC id.

```
show sls-service statistics [ name svc_name ] [ sls | sctp ] [ esmlc-id esmlc-id ]
```

The following commands show the last known location of the UE that was derived using the E-SMLC.

```
show mme-service db record imsi
show mme-service db record guti
```

## Event Logging

Event logging for the SLs interface can be enabled using the following command:

```
logging filter active facility sls level severity_level
```

Refer to the *System Logs* chapter of the *System Administration Guide* for more information about event logging.



## CHAPTER 63

# Mapped-UE-Usage-Type IE Support in MME

- [Feature Summary and Revision History, on page 609](#)
- [Feature Description, on page 610](#)
- [Configuring Mapped-UE-Usage-Type IE Support in MME, on page 610](#)
- [Monitoring and Troubleshooting, on page 610](#)

## Feature Summary and Revision History

### Summary Data

Applicable Product(s) or Functional Area	MME
Applicable Platform(s)	<ul style="list-style-type: none"><li>• ASR 5500</li><li>• VPC-DI</li><li>• VPC-SI</li></ul>
Default Setting	Disabled - Configuration Required
Related Changes in This Release	Not Applicable
Related Documentation	<ul style="list-style-type: none"><li>• <a href="#">Command Line Interface Reference</a></li><li>• <a href="#">MME Administration Guide</a></li><li>• <a href="#">Statistics and Counters Reference</a></li></ul>

### Revision History

Revision Details	Release
First introduced.	21.12.2

## Feature Description

The "ue-usage-type" parameter is negotiated and already stored in subscriber database. This "ue-usage-type" is encoded in "Mapped UE Usage Type" IE in Create-Session-Request gtpv2 message and sent to SPGW to assist in network slicing. This feature is CLI controlled.

## Configuring Mapped-UE-Usage-Type IE Support in MME

This section provides information on the CLI commands to configure Mapped-UE-Usage-Type IE Support in MME.

### decor send-ue-usage-type-in-csr

Use the following configuration to enable the sending of mapped UE-Usage to Dedicated Core Network Configuration.

```
configure  
  call-control-profile call_control_profile_name  
    [ remove ] decor send-ue-usage-type-in-csr  
  end
```

#### NOTES:

- **remove**: Removes the configuration to enable the sending of mapped UE-Usage to Dedicated Core Network Configuration.
- **decor send-ue-usage-type-in-csr**: Enables the sending of mapped UE-Usage to Dedicated Core Network Configuration.

## Monitoring and Troubleshooting

This section provides information regarding show commands available to monitor and troubleshoot the Mapped-UE-Usage-Type IE Support feature.

### Show Commands and Outputs

#### show call-control-profile

The output of this command includes "Sending Ue-Usage-Type in CSR".



# CHAPTER 64

## MBMS for MME (eMBMS)

Released as Deploy Quality in Release 20.0.

This chapter deals with the implementation of the LTE version of Multimedia Broadcast/Multicast Service (eMBMS) on the Cisco Mobility Management Entity (MME).

- [Feature Description, on page 611](#)
- [How It Works, on page 614](#)
- [Configuring MME-eMBMS Service, on page 624](#)
- [Managing/Troubleshooting the eMBMS on the MME, on page 625](#)

### Feature Description

Multimedia Broadcast/Multicast Service (MBMS) is available on a number of network elements and is variously and well described on the Internet. Before looking at the implementation of eMBMS on the Cisco MME, we start with a quick overview of the 3GPP standard concepts to confirm the MME's position.

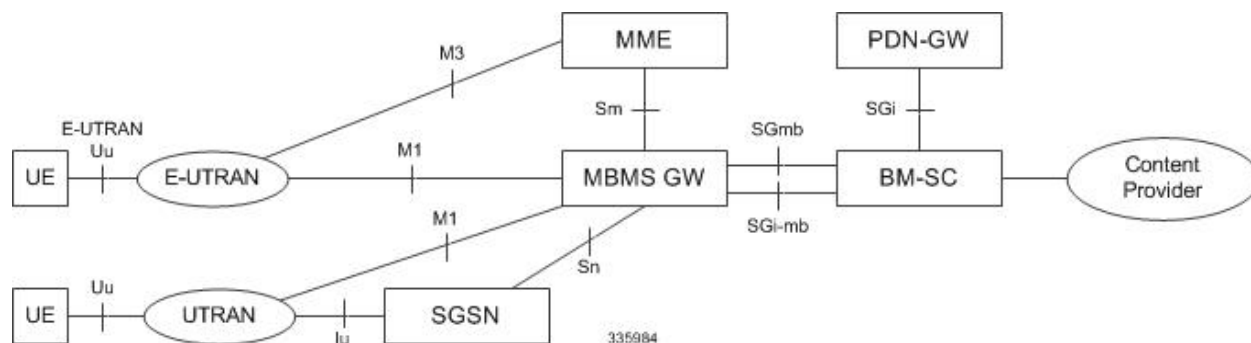
#### Overview per 3GPP TS 23.246

As defined by 3GPP TS 23.246:

MBMS is a point-to-multipoint service in which data is transmitted from a single source entity to multiple recipients. Transmitting the same data to multiple recipients allows network resources to be shared.

The MBMS bearer service offers two modes: Broadcast & Multicast mode. Broadcast Mode is supported for EPS and GPRS and Multicast Mode is supported for GPRS.

**Figure 53: eMBMS Network Diagram**



### Use Cases for eMBMS on the MME

Transmitting one set of data to many, many eMBMS-capable end-users has a range of possible operator use cases:

- Mobile TV
- Digital Radio
- Video Kiosk or Video on Demand
- Connected Car
- Fixed LTE Quadruple Play
- Local Information such as Coupons
- Wireless Emergency Alerts
- Stadium App
- Data Feeds & Notifications
- e-Newspapers and e-Magazines
- Firmware/OS Updates
- Pushed Video Ads
- Last Mile CDN
- Internet of Things (Smart Meters)

### MME Support for MBMS

In an LTE network, the operator using a Cisco MME can provide an MBMS data service using the e-MBMS solution proposed in 3GPP TS 23.246. eMBMS in the LTE network involves the following nodes and reference points:

- **Broadcast Multicast Service Centre (BM-SC)** - Supports various MBMS user-service specific services such as provisioning and delivery. The BM-SC sets up the e-MBMS session, initiates delivery of the content by pulling it from the content server, uses appropriate CODEC on the content, and collects the reception receipt from the UEs for certain kinds of content.
- **MBMS-GW** - Creates the MBMS bearer and receives the user-plane MBMS traffic from the BM-SC. Once received, the MBMS-GW allocates a multicast transport address and performs the GTP-U encapsulation of the MBMS data.
- **MME** - Running the Cisco MME-eMBMS service on the MME, the MME communicates with the MBMS GW and the MCE using Sm and M3 interfaces, respectively, for all eMBMS communications and functions. MME-eMBMS facilitates sessions scheduled by the BM-SC. The MME-eMBMS service identifies service areas to be served by a particular MBMS session, so that the MME handles session start, update, and stop. The MME also handles setup and configuration requests from the MCEs.
- **E-UTRAN (eNodeB/MCE)** - Handles session setup and broadcasting of MBMS data on the broadcast channel on the air. The Multicast/Multicast Coordination Entity (MCE) manages the MBMS content and resources.

- M1 - Is the reference point between MBMS GW and E-UTRAN/UTRAN for MBMS data delivery. IP Multicast is used on this interface to forward data.
- M3 - Is the reference point for the control plane between MME and E-UTRAN.
- Sm - Is the reference point for the control plane between MME and MBMS-GW.
- Sn - Is the reference point between MBMS GW and SGSN (S4 based) for the control plane and for MBMS data delivery. Point-to-point mode is used on this interface to forward data.
- SGi-mb - Is the reference point between BM-SC and MBMS-GW function for MBMS data delivery.
- SGmb - Is the reference point for the control plane between BM-SC and MBMS-GW.

With MBMS functionality, the MME now supports additional interfaces :

- the Sm interface, between the MME and the MBMS-GW, receives MBMS service control messages and the IP Multicast address for MBMS data reception from the MBMS-GW. It also carries the EPS GTPv2-C messages:
  - MBMS Session Start messages
  - MBMS Session Update messages
  - MBMS Session Stop messages
- the M3 interface provides the reference point for the control plane between the MME and the MCE (E-UTRAN). The M3 Application Protocol (M3AP) supports the functions of the M3 interface by providing:
  - Support for both IPV4 and IPV6 addresses at MME endpoint.
  - Session Management - This overall functionality is responsible for starting, updating, and stopping MBMS sessions via the session control signaling on the SAE bearer level.
  - M3 Setup functionality for initial M3 interface setup for providing configuration information.
  - Reset functionality to ensure a well-defined re-initialization on the M3 interface.
  - Error Indication functionality to allow a proper error reporting.
  - MCE Configuration Update function to update the application level configuration data needed for the MCE.

### Relationships

The MME-eMBMS service is not associated with the MME service or any of the other major services available on the MME, such as the SBC, SLS, or SGS services.

### License Information

A valid license key for the M3 and Sm interfaces is required to enable the controlling CLI and functionality of eMBMS on the MME. Contact your Cisco Account or Support representative for information on how to obtain a license.

# How It Works

## MBMS Broadcast Service - the Basic Phases

Pre-requisites - the UE, MME, and eNodeB must all be eMBMS capable.

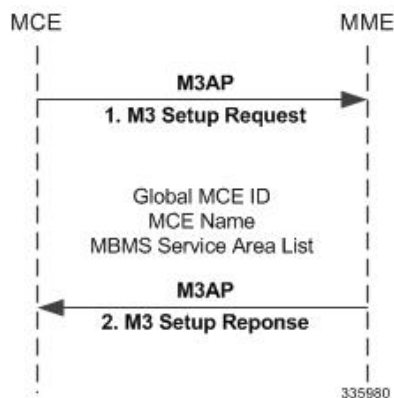
The basic phases of the MBMS broadcast service are:

1. Service Announcement - Informs UEs with media descriptions specifying the media to be delivered as part of an MBMS user service. An MBMS user service announcement can use any one of many mechanisms, for example: SMS Cell broadcast, PUSH mechanism like WAP, MMS, HTTP.
2. Session Start - The BM-SC is ready to send data. Session Start is the trigger for bearer resource establishment for MBMS data transfer.
3. MBMS Notification - Informs the UEs about forthcoming/ongoing MBMS data transfer.
4. Data Transfer - Data transferred to the UE.
5. Session Stop - BM-SC determines that there will be no more data. All the bearer resources are released at session stop.

## M3 Setup Procedure

M3 Setup procedure exchanges application level data needed for the MCE and MME to correctly interoperate on the M3 interface.

**Figure 54: M3 Setup Procedure**

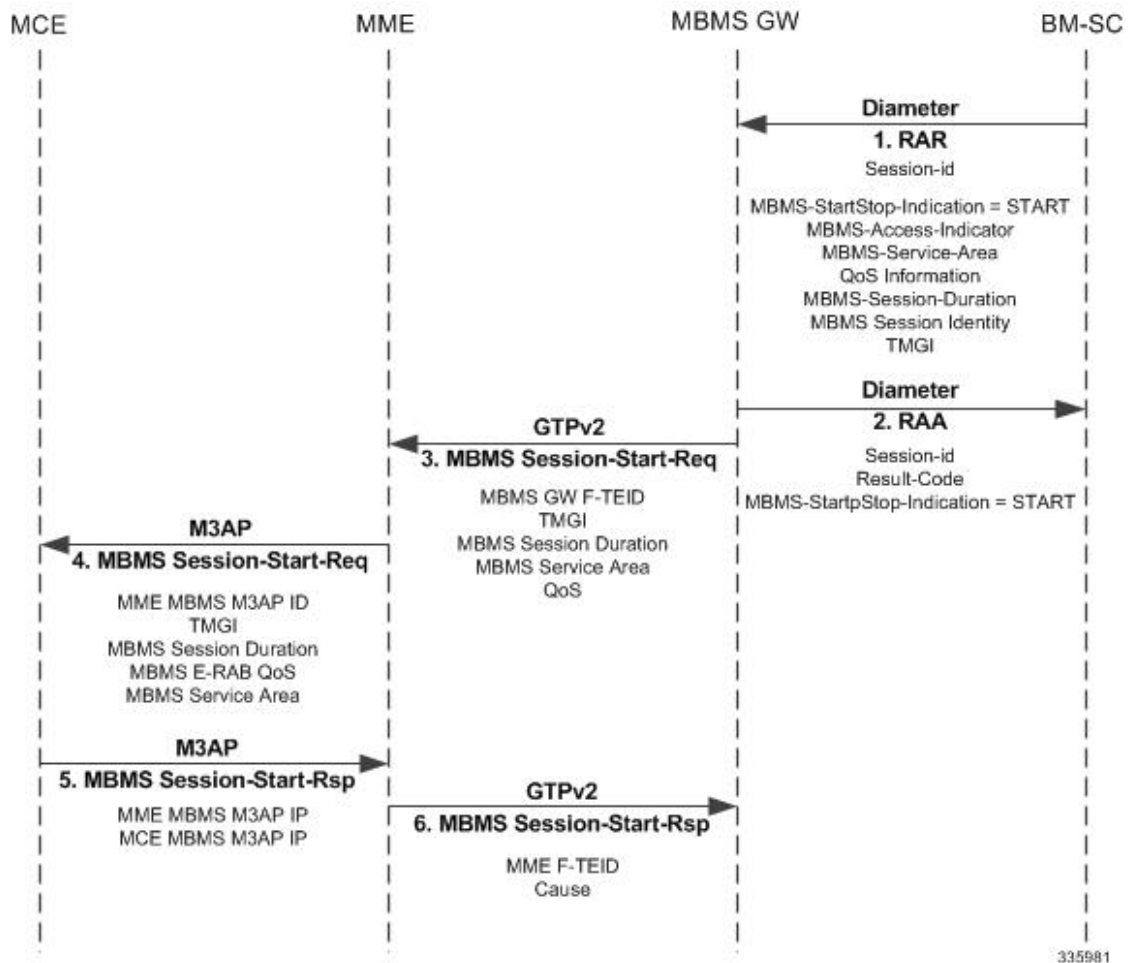


1. The MCE sends an M3 Setup Request containing the Global MCE ID, MCE Name & Service Area List.
2. The MME Responds with an M3 Setup Response.



### Session Start Procedure

Figure 55: Session Start Procedure



1. The BM-SC sends an RAR (Diameter Re-Authorization Request) message to indicate start of the transmission and to provide the session attributes to the MBMS GWs. The session attributes sent includes but is not limited to: Temporary Mobile Group Identity (TMGI), Flow Identifier, quality of service (QoS), MBMS Service Area, Session Identifier, Estimated Session Duration, List of MBMS control plane nodes (MMEs, SGSNs) for MBMS-GW, access indicator.
2. The MBMS-GW creates an MBMS bearer context, stores the session attributes in the MBMS bearer context, and sends an RAA (Diameter Re-Authorization Response) message to the BM-SC.
3. The MBMS-GW sends a Session Start Request message including the session attributes to MMEs (identified from the "List of MBMS control plane nodes" attribute).
4. The MME creates an MBMS bearer context and initiates an MBMS SESSION START REQUEST message to the MCE. This also sets up the MBMS service-associated logical M3 connection with the MCE.
5. The MCE creates an MBMS bearer context, stores the session attributes and sets the state attribute of its MBMS bearer context to 'Active'. The MCE reports the result of the requested MBMS E-RAB in the MBMS SESSION START RESPONSE message.

6. The MME responds with MBMS Session Start Response to the MBMS-GW as soon as the session request is accepted by one E-UTRAN node.

In some cases, the session start procedure can involve multiple MCEs. The following briefly outlines the procedures for three possible scenarios:

**Scenario 1:** Some MCEs (remember, that a single Start Request can go to multiple MCEs in parallel) return failure for the Start Request:

1. The MBMS-GW sends an MBMS Session Start Request to the MME (perhaps in an MBMS Service Area served by multiple MCEs).
2. The MME sends MBMS Session Start Request to multiple MCEs simultaneously.  
Some MCEs respond with MBMS Session Start Failure.
3. An MCE sends the MME an MBMS Session Start Response indicating a successful outcome.
4. The MME responds with cause "Request Accepted".

**Scenario 2:** All MCEs return failure for the Start Request:

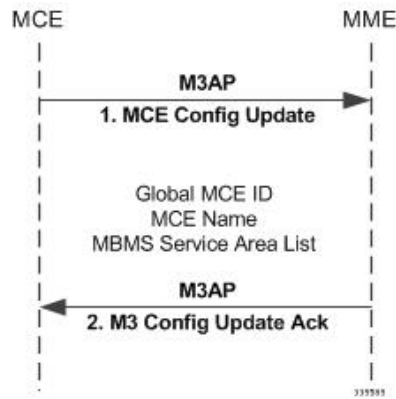
1. The MBMS-GW sends an MBMS Session Start Request to the MME (perhaps in an MBMS Service Area served by multiple MCEs).
2. The MME sends MBMS Session Start Request to the MCEs
3. All MCEs respond with MBMS Session Start Failure.
4. The MME responds with failure cause "Invalid Peer".

**Scenario 3:** Delayed success response from some MCEs:

1. The MBMS-GW sends an MBMS Session Start Request to the MME (perhaps in an MBMS Service Area served by multiple MCEs).
2. The MME sends MBMS Session Start Request to the MCEs
3. An MCE sends the MME an MBMS Session Start Response indicating a successful outcome.
4. The MME responds with cause "Request Accepted".
5. Further Start Session Responses will be ignored and they will not have any effect on the MBMS bearer context state.

### MCE Configuration Update Procedure

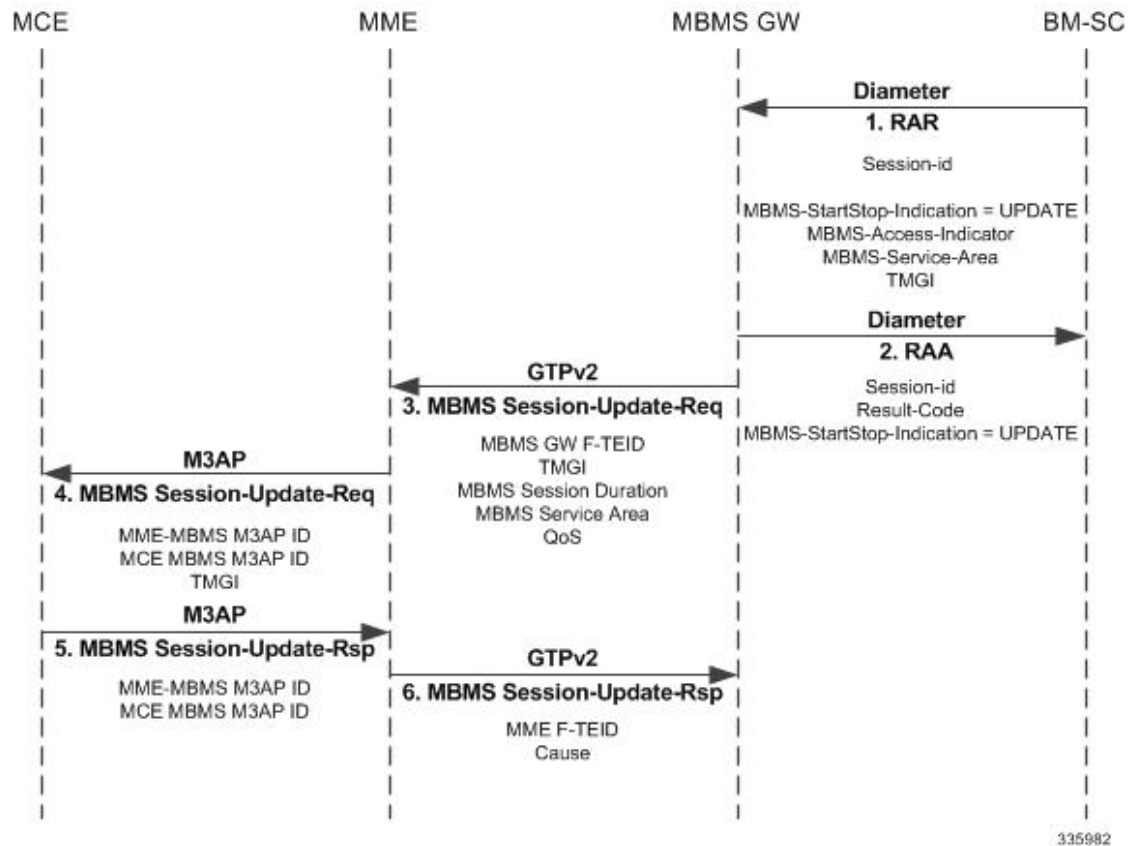
Figure 56: MCE Configuration Update



1. MCE Sends a MCE Configuration Update containing the Global MCE ID, MCE Name & Service Area List.
2. MME Responds with MCE Configuration Acknowledge.

### Session Update Procedure

Figure 57: Session update Procedure

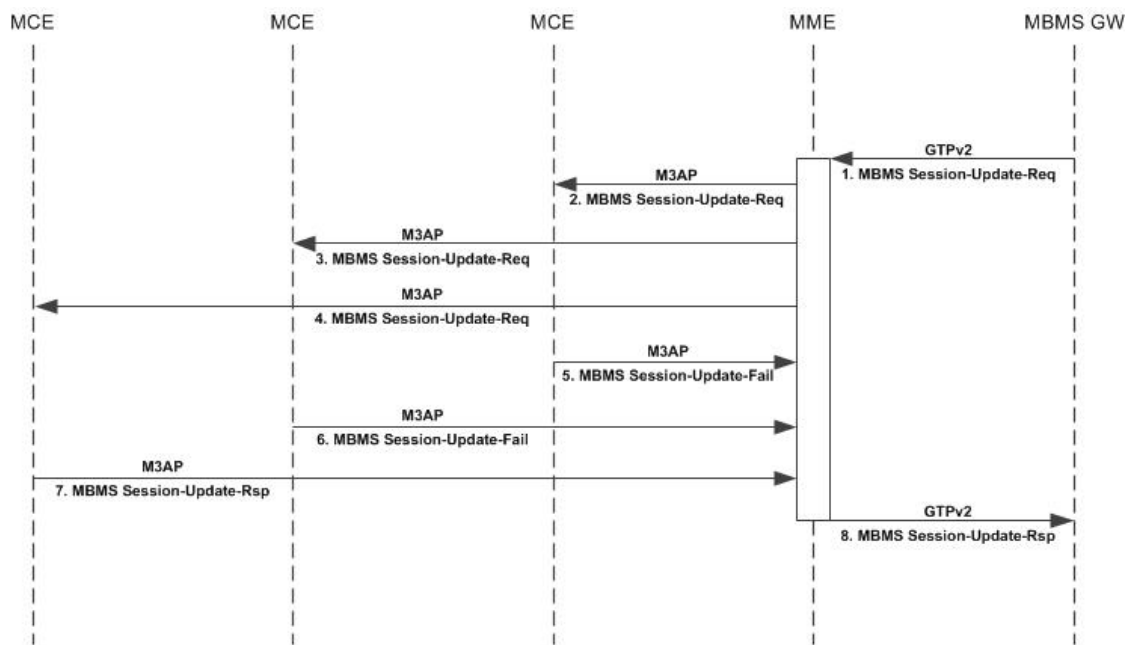


1. The BM-SC sends a RAR message to indicate that the MBMS session is updated. The attributes that can be modified by the RAR message are the MBMS Service Area, the Access indicator and the list of MBMS control plane nodes.
2. The MBMS-GW responds with a RAA message to the BM-SC.
3. The MBMS-GW initiates session start or session update procedure towards the MMEs in its list of MBMS control plane nodes.
4. The MME informs the MCEs, about changed characteristics of an ongoing MBMS service session, based on the MBMS Session Update Request. The MME sends MBMS Session Update Request to all MCEs which have earlier received an MBMS Session Start Request with the same TMGI and GLOW ID.
5. The MCE responds to the MME to confirm the reception of the Session Update Request message.
6. The MME returns a response to the MBMS-GW as soon as the Session Update Request is accepted by any E-UTRAN node.

In some cases, the session update procedure can involve multiple MCEs. The following briefly outlines the procedures for three possible scenarios:

**Scenario 1:** Some MCEs return failure for the Update Request:

**Figure 58: Update Failure from an MCE**

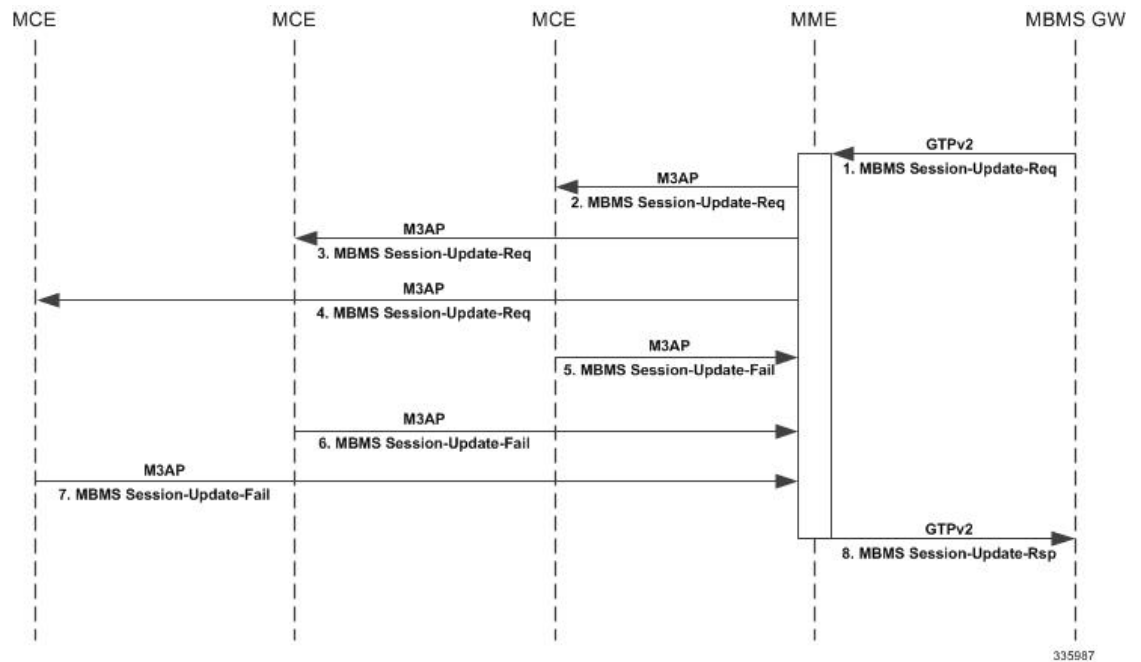


335986

1. The MBMS-GW sends an MBMS Session Update Request to the MME.
2. The MME sends an MBMS Session Update Request to MCEs.
3. Some MCEs respond with MBMS Session Update Failure.
4. The MCE sends an MBMS Session Update Response indicating a successful outcome.
5. The MME responds with cause "Request Accepted"

**Scenario 2:** All MCEs return failure for the Update Request:

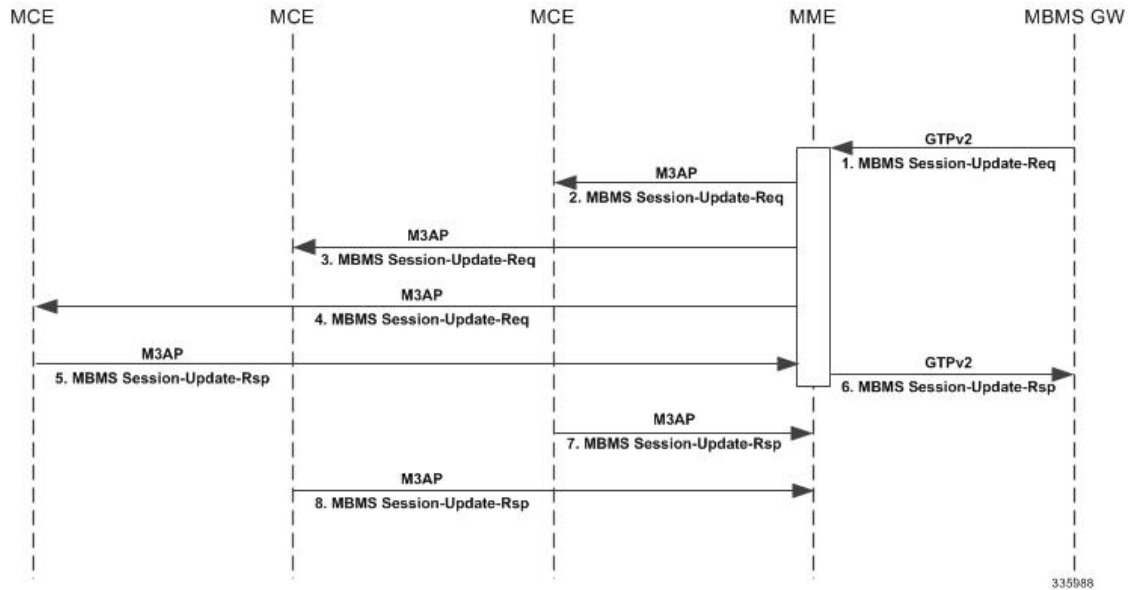
*Figure 59: Update Failure from All MCEs*



1. The MBMS-GW sends an MBMS Session Update Request to the MME.
2. The MME sends an MBMS Session Update Request to MCEs.
3. All MCEs respond with MBMS Session Update Failure.
4. The MME responds by sending Session Update Response with cause EGTP\_CAUSE\_INVALID\_REPLY\_FROM\_REMOTE\_PEER to the MBMS GW.

**Scenario 3:** Delayed success responses from all MCEs:

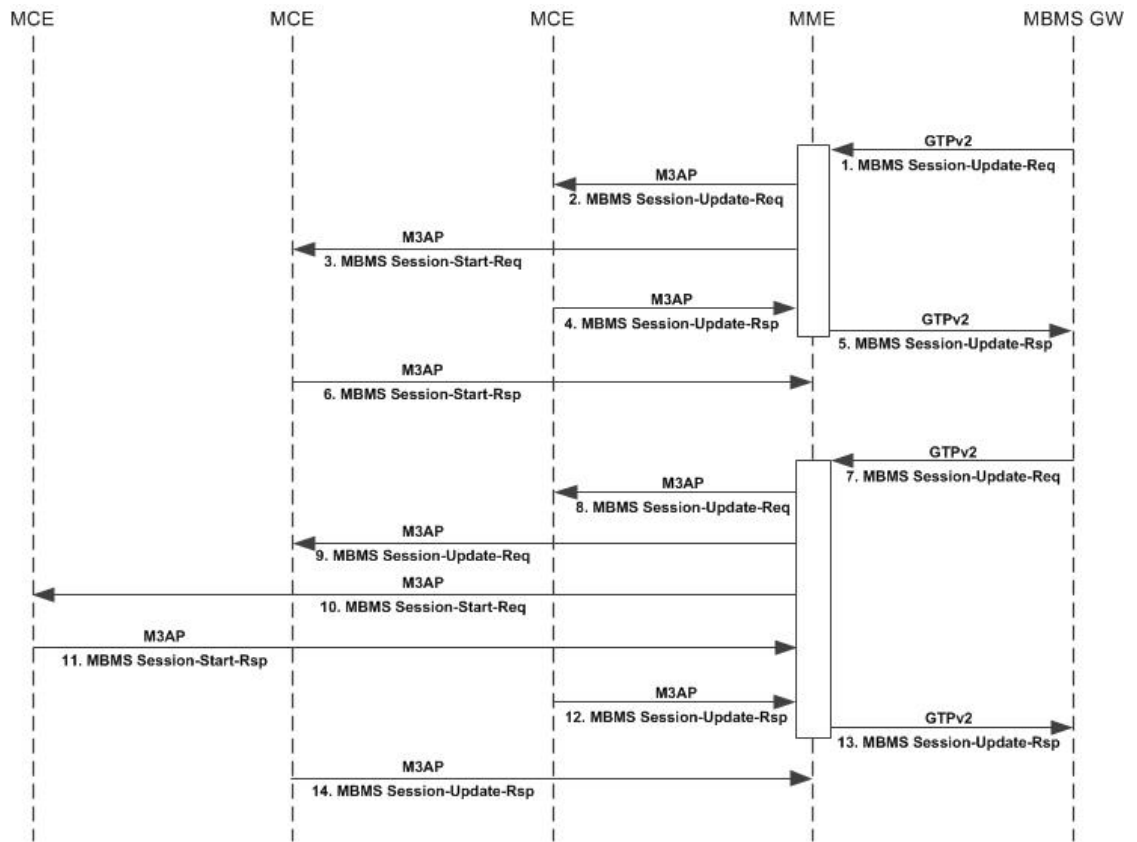
Figure 60: Delayed Update Responses



1. The MBMS-GW sends an MBMS Session Update Request to the MME.
2. The MME sends an MBMS Session Update Request to MCEs.
3. An MCE sends an MBMS Update Response indicating a successful outcome.
4. The MME responds with cause "Request Accepted"
5. Further responses are ignored and will have no effect on the MBMS bearer context state.

**Scenario 4:** Session update involved the additional / deletion of MBMS service areas:

Figure 61: Session Update Changing MBMS Service Areas



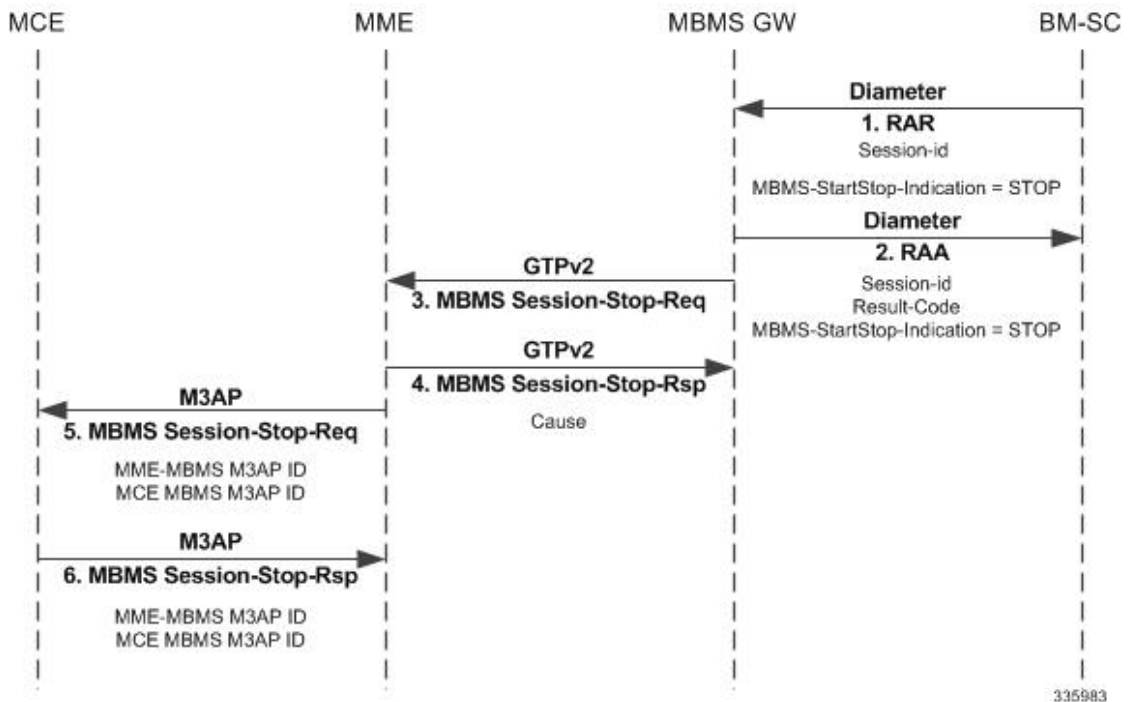
335989

1. The MBMS-GW sends an MBMS Session Start Request to an MME. (For this scenario, consider that the Start Request has been sent to multiple MCEs, in this case MCE1 and MCE2.)
2. The MBMS Session Start Request is sent to MCE1.
3. The MBMS Session Start Request is sent to MCE2.
4. MCE1 responds with successful outcome.
5. The MME responds with cause "Request Accepted" without waiting for response from all MCEs.
6. MCE2 responds with successful outcome.
7. For an existing MBMS bearer context, Update Request is sent from MBMS-GW. (Let us consider there is an MBMS service area deleted and a new service area added.)
8. MME sends MBMS Session Update Request to MCE1. MCE1 has already processed MBMS Session Start Request.
9. MBMS Service Area in MCE2 is deleted in the Session Update Request. Despite this, the MME sends a Session Update Request to MCE2 with service areas received in MBMS Session Update Request from the MBMS GW over GTPv2.
10. For a new Service Area present in the Update Request, the MME sends a Session Start Request to MCE3.

11. The MCE is expected to create an MBMS bearer context and set its state attribute to "Active" and to confirm the Session Start Request.
12. As soon as the MME receives a response with successful outcome, the MME responds with cause "Request Accepted" without waiting for responses from all MCEs.
13. The MME receives a Session Update Response, indicating successful outcome, from the MCE for the Session Update Request which was sent earlier.
14. The MME sends MBMS Session Update Response with cause "Request Accepted" to the MBMS GW.
15. Responses for Update and Start Requests are sent to the MME from other MCEs.

### Session Stop Procedure

Figure 62: Session Stop Procedure



1. The BM-SC sends an RAR message to indicate that the MBMS session is terminated and the bearer plane resources can be released.
2. The MBMS-GW responds with Session Stop Response and releases its information regarding the session.
3. The MBMS-GW forwards Session Stop Request message to the MME.
4. The MME releases the MBMS bearer context and responds with MBMS Session Stop Response.
5. The MME initiates MBMS Session Stop Request message to the MCE.
6. The MCE releases the MBMS bearer context associated with the logical M3 connection and responds with MBMS Session Stop Response.



### Architecture - MME-eMBMS Service

A new service (mme-embms-service) supports MME's eMBMS functionality. This service is not coupled with the existing mme-service. The maximum number of MME-eMBMS services that can be created is 8. For details about the command in the configuration mode, refer to the *Configuring eMBMS* section in this document.

MCEs can be deployed with eNodeB(s) or they can be standalone. Depending on the deployment model, the number of MCEs supported can vary. Currently, the MME (system) support is limited to 300 MCEs and 100 MBMS sessions. There is no separate limit enforced on the number of MCEs per mme-embms service.



---

**Important** The MME supports a maximum total combination of eight (8) MME-specific services, of the types MME + eMBMS + SGs+ SBc + SLs -service, be configured per chassis.

---

### Supported Features and Functions

- Sessions are identified by the combination of the TMGI and the MBMS Flow ID. In the case of no Flow ID, TMGI alone can be used to identify sessions and MBMS Flow ID would be assumed to be 0.
- Session Controller Recovery is provided to fetch MME eMBMS service configuration from the Session Manager in case of session controller failure.
- Manager Recovery support for: MMEdemux, MMEmgr, SessMgr, AAAmgr, EgtpegMgr.
- SMC switchover, PSC card migration, and slot hiding.

### Standards Compliance

The Cisco implementation of eMBMS on the Cisco MME is compliant with the following standards:

- 3GPP TS 23.246, Version 12.6.0 - Multimedia Broadcast/Multicast Service (MBMS); Architecture and functional description
- TS 36.444, Version 12.2.0 - M3 Application Protocol
- TS 29.274, Version 12.8.0 - Tunnelling Protocol for Control plane (GTPv2-C)

### Limitations

- MBMS flags are supported only for MBMS Session Start Request messages and not for MBMS Session Stop Request messages.
  - Re-establishment IE, which comes from MBMS-GW in Session Start Request, is forwarded to the MCEs.
  - MBMS flags are not supported in MBMS Session Stop Request messages.
- Currently, CLI limitations for the MME eMBMS feature include:
  - the **monitor protocol** command is supported, but without any of the command keywords.
  - the **monitor subscriber** command is not supported at this time for use with eMBMS.

- In the event that all MMEmgrs are restarted at the same time, then MCE Restart Handling will not perform properly.
- If the Session-Start-Response message includes an Absolute Time timestamp value (for the MBMS Data Transfer) that corresponds to a time in the past, then Session Start is rejected with cause "Mandatory IE Incorrect".

## Configuring MME-eMBMS Service

**Reminder:** A valid M3/Sm interface license key is required to use the following commands to create an MME-eMBMS service.

The following configuration commands will setup a single MME-eMBMS Service. The commands in the MME-eMBMS service configuration mode are listed in the order in which they appear. The commands can be entered in a different order, to suit your needs.

### configure

```
context ctxt_name
  mme-embms-service mme_embms_service_name
    associate egtp-service egtp_service_name [ context ctxt_name ]
    associate sctp-param-template sctp_param_template_name
    bind { ipv4-address ipv4_address | ipv6-address ipv6_address }
    mmemgr-recovery { no-reset | reset-peers }
    plmn-id mcc mcc mnc mnc
    sctp port port_number
    setup-timeout number_seconds
```

### Notes:

- The *ctxt\_name* identifies the context in which the MME-eMBMS service configuration is to reside. The name must be a string of 1 through 79 alphanumeric characters.
- The *mme\_embms\_service\_name* must be a string of 1 through 63 alphanumeric characters. We recommend that this service name be unique on the chassis. For additional information, refer to the **mme-embms-service** command description in the *Global Configuration Mode Commands* section of the *Command Line Interface Reference*.
- The **associate** command associates either a previously configured eGTP service with the MME-eMBMS service or a previously configured SCTP parameter template. The command should be repeated to associate both with the MME-eMBMS service.
  - **egtp-service** *egtp\_service\_name* must be a string of 1 through 63 alphanumeric characters.
  - **context** *ctxt\_name* in which the eGTP service has been configured; the context name must be a string of 1 through 79 alphanumeric characters.
  - **sctp-param-template** *sctp\_param\_template\_name* must be a string of 1 through 63 alphanumeric characters.
- For additional information about the eGTP service or SCTP parameter template configurations, refer to the *Command Line Interface Reference*.

- The **bind** command binds the MME-eMBMS service to a logical IP interface serving as the M3 interface. Enter either a standard IPv4 or IPv6 address.
- The **mmemgr-recovery** command sets the action the MME is to take regarding the peers (MCEs) upon recovery after an MME Manager crash/failure:
  - **no-reset** - so peer associations are not reset.
  - **reset-peers** - so peer associations are reset. *NOTE: Currently, this option is not supported.*
- The **plmn-id** command configures the PLMN identifier associated with the eMBMS service area.
- The **sctp** command configures the SCTP port number to be associated with the M3AP interface of the eMBMS service. The *port\_number* is an integer from 1 to 65535 and the default is 36412.
- The **setup-timeout** command configures the number of seconds for the guard timer expiry for call setup. The *timeout\_value* is an integer from 1 to 10000 and the default is 60.




---

**Important** The maximum number of MME-eMBMS services that can be created on a single chassis is 8. However, you need to note that Of the 256 possible services, the MME supports a maximum total combination of eight (8) MME-specific services, of the types MME + MME-eMBMS + SBc + SGs + SLs -service, be configured per chassis.

---

### Verifying the MME-eMBMS Feature Configuration

Use the following command to verify your configuration:

```
show mme-embms-service [ all | name mme_embms_service_name ]
```

The output will provide a display similar to the following:

```
show mme-embms-service name embms1

Service name           : embms1
Context                : ingress
Status                 : STARTED
SCTP Bind Port         : 36444
MME-EMBMS IP Address   : 192.80.80.201
                       : 192.80.80.202
SCTP Param Template Associated : sctptempl
Setup Timeout          : 60
PLMN                   : mcc 123 mnc 456
EGTPC Service          : egtp_mbms
```

## Managing/Troubleshooting the eMBMS on the MME

### Managing the eMBMS Service

The following commands can be used to manage an active eMBMS service. They are issued from the Exec mode.

- To reset MCE associations on the M3AP link by sending a RESET message to a designated MCE/eNodeB to reset all UE-associated M3 connections.

```
mme-embms reset m3-peer peer_id
```

- To disconnect MCE associations on the M3AP link and perform a graceful/ungraceful disconnection of an SCTP peer (MCE), use the following command in the Exec mode:

```
mme-embms disconnect m3-peer peer_id
```

### Output from "show" Commands

Numerous counters and information fields provide information helpful for monitoring and/or troubleshooting eMBMS on the MME. The following is a listing of the commands with brief information on their usefulness:

```
show mme-embms-service { all | { all-session-info [ summary ] } | { m3ap
statistics { all [ verbose ] | name mme_embms_service_name } } | {
mce-association { all [ summary ] | full { all | name mme_embms_service_name
} | name mme_embms_service_name [ summary ] | path-info { all | name
mme_embms_service_name } } } | { mce-session-association { plmn-id mcc mcc mnc
mnc mce-id mce_id | tmgi-service-id tmgi_service_id mbms-flow-id mbms_flow_id }
} | name mme_embms_service_name | sctp statistics { all | name
mme_embms_service_name } } }
```

Notes:

- **all** -- a listing of the names of all created MME-eMBMS services and a display of the overall MBMS service status.
- **all-session-info [ summary ]** -- a listing of the eMBMS sessions being handled by the MMEmgr or optionally a summary of eMBMS session information.
- **m3ap statistics { all [ verbose ] | name mme\_embms\_service\_name }** -- a display of all M3AP statistics available for the MME or a display of the M3AP statistics for the named "active" MME-eMBMS service.
- **mce-association { all [ summary ] | full { all | name mme\_embms\_service\_name } | name mme\_embms\_service\_name [ summary ] | path-info { all | name mme\_embms\_service\_name } }** -- displays
  - all MCE peer associations for all or named MME-eMBMS service(s)
  - identifies the number of MCE associations with all or the named MME-eMBMS service(s)
  - displays path information for MCEs associated with all or the named MME-eMBMS service(s); particularly useful for checking multi-homed sessions.
- **mce-session-association { plmn-id mcc mcc mnc mnc mce-id mce\_id | tmgi-service-id tmgi\_service\_id mbms-flow-id mbms\_flow\_id }** -- displays
  - MCE session associations for a specific MCE
  - MCE session associations for the TMGI or TMGI and FLOW ID combination.
- **name mme\_embms\_service\_name [ summary ]** -- displays the configuration for the named eMBMS service.
- **sctp statistics { all | name mme\_embms\_service\_name }** -- displays SCTP statistics for all or named "active" eMBMS service(s).

```
show mme-embms-service m3ap statistics all [ verbose ]
```

Notes:

The command above is used to clarify status of MBMS sessions with the following counters added to the output:

- MBMS Session Start Request
- MBMS Session Start Response
- MBMS Session Start Response Failure

```
show mme-embms-service all-session-info [ summary ]
```

Notes:

The command above displays counters to illustrate session information maintained at all MMEs.

```
show mme-embms-service mce-session-association tmgi-service-id tmgi_service_id  
[ mbms-flow-id mbms_flow_id ]
```

Notes:

The command above displays fields and counters to illustrate configured MCE associations.

```
show subscribers mme-embms-only [ all | full ]
```

Notes:

The command above displays MBMS subscriber information.

### Disconnect Reasons

Information for system disconnects specific to eMBMS, can be found in the statistics for the following:

- disc-reason-607 = mme-embms-call-setup-timeout(607) - The number of times an eMBMS call setup has timed out.
- disc-reason-608 = mme-embms-normal-disconnect(608) - The number of times an eMBMS call has disconnected normally.
- disc-reason-609 = mme-embms-sctp-down(609) - The number of times an eMBMS call experienced an SCTP failure.

To generate the disconnect reason statistics, use the command **show session disconnect-reasons verbose** or refer to the system schema bulk statistics.

### Logging Support

The following commands identify the logging support provided for the MME eMBMS Service functionality:

```
logging filter active facility mme-embms level {critical | error | warning  
|  
unusual | info | trace | debug }
```

```
logging filter active facility m3ap level {critical | error | warning |  
unusual  
| info | trace | debug }
```

### Logging Events

The range of event IDs supported for eMBMS is 212001 to 212024.

The following configuration disables logging for specified event or event ranges:

```
configure
logging disable eventid event_id [ to event_id ]
```

The following configuration enables logging for specified event or event ranges:

```
configure
no logging disable eventid event_id [ to event_id ]
```

### Monitor Protocol Logging

- Monitor protocol option (97-M3AP) is added to display M3AP messages.
- Monitor protocol option (74 - EGTPC) is re-used to display GTPv2 messages on Sm Interface.

### Bulk Statistic Support

**mme-embms** is the schema that has been added to enable the MME to provide statistics specific to eMBMS on the MME. Variables included are:

- mme-embms-m3ap-recdata-m3setup-req
- mme-embms-m3ap-recdata-mce-config-upd
- mme-embms-m3ap-recdata-mbms-sess-start-rsp
- mme-embms-m3ap-recdata-mbms-sess-start-rsp-fail
- mme-embms-m3ap-recdata-mbms-sess-upd-rsp
- mme-embms-m3ap-recdata-mbms-sess-upd-rsp-fail
- mme-embms-m3ap-recdata-mbms-sess-stop-rsp
- mme-embms-m3ap-recdata-reset
- mme-embms-m3ap-recdata-reset-ack
- mme-embms-m3ap-recdata-err-ind
- mme-embms-m3ap-transdata-m3setup-rsp
- mme-embms-m3ap-transdata-m3setup-rsp-fail
- mme-embms-m3ap-transdata-mce-config-upd-ack
- mme-embms-m3ap-transdata-mce-config-upd-ack-fail
- mme-embms-m3ap-transdata-mbms-sess-start-req
- mme-embms-m3ap-transdata-mbms-sess-upd-req
- mme-embms-m3ap-transdata-mbms-sess-stop-req

- mme-embms-m3ap-transdata-reset
- mme-embms-m3ap-transdata-reset-ack
- mme-embms-m3ap-transdata-err-ind
- mme-embms-m3ap-unknown-mme-mbms-m3ap-id
- mme-embms-m3ap-unknown-mce-mbms-m3ap-id
- mme-embms-m3ap-unknown-mbms-m3ap-id-pair
- mme-embms-m3ap-tx-syntax-err
- mme-embms-m3ap-semantic-err
- mme-embms-m3ap-msg-not-compatible
- mme-embms-m3ap-abstract-syntax-err
- mme-embms-m3ap-abstract-syntax-err-reject
- mme-embms-m3ap-abstract-syntax-err-ignore-notify
- mme-embms-m3ap-abstract-syntax-err-false-constr-msg
- mme-embms-m3ap-mce-total-active
- mme-embms-m3ap-mce-total-created
- mme-embms-m3ap-mce-total-closed
- mme-embms-m3ap-mce-total-rejected

### SNMP Traps

The following identifies the traps new for the MME eMBMS feature and illustrates a sample display:

```
show snmp trap statistics
```

Trap Name	#Gen	#Disc	Disable	Last Generated
MMEEMBMSServiceStart	1	0	0	2015:09:08:09:14:08
MMEEMBMSServiceStop	1	0	0	2015:09:08:09:14:03
MCEAssocDown	1	0	0	2015:09:08:09:14:19
MCEAssocUp	1	0	0	2015:09:08:09:14:16







# CHAPTER 65

## MEC Location Management

- [Feature Summary and Revision History, on page 631](#)
- [Feature Description, on page 632](#)
- [How It Works, on page 632](#)
- [Configuring MEC Support, on page 635](#)
- [Monitoring and Troubleshooting, on page 637](#)

### Feature Summary and Revision History

#### Summary Data

Applicable Product(s) or Functional Area	MME
Applicable Platform(s)	<ul style="list-style-type: none"> <li>• ASR 5500</li> <li>• VPC-DI</li> <li>• VPC-SI</li> </ul>
Default Setting	Enabled - Always-on
Related Changes in This Release	Not Applicable
Related Documentation	<ul style="list-style-type: none"> <li>• <i>Command Line Interface Reference</i></li> <li>• <i>MME Administration Guide</i></li> <li>• <i>Statistics and Counters Reference</i></li> </ul>

#### Revision History

Revision Details	Release
MEC UP configuration enhancement.	21.16
PGW-U IP address is used for User Plane address.	21.15
First introduced.	21.14

## Feature Description

Mobile Edge Computing (MEC) Support is used to bring application with low latency requirements and capabilities to the carrier's network in order to explore a wide range of new use cases and applications. This feature enables selection of proper Edge User Plane nodes for MEC user sessions.

With release 21.16, MEC UP configuration is enhanced to configure multiple TALs under a MEC group. MME allows to mix and match the TALs under a MEC group.



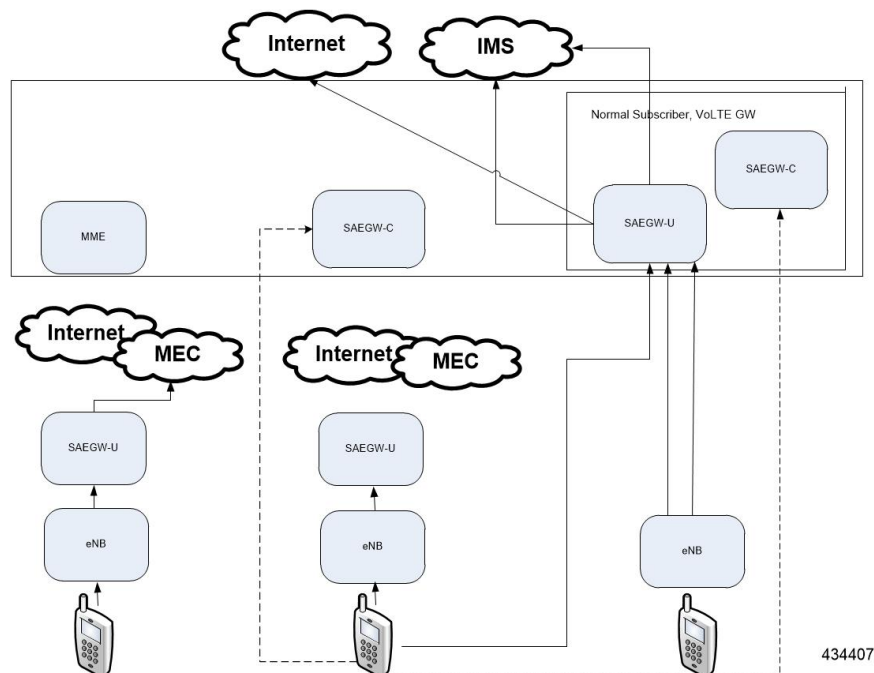
**Note** TAI List and UP address for MEC group can be configured either in TAI Management DB or MEC TAI Group. It is recommended to configure using only one option.

## How It Works

### Architecture

This section describes the MEC architecture.

**Figure 63: MEC Architecture**



### Flows

This section describes the call flow procedures related to MEC support.

Whenever the user moves to idle mode, each PDN's default bearer is checked to see if the GW-U IP address matches the TAI List. If a mismatch is found, paging is initiated.

When the user connects back again either by TAU or Service Request based on the new tracking area from where the TAU or Service Request is received, each PDN's default bearer is checked to see if the GW-U IP address matches the TAI List. If mismatch is found and if the PDN and UE Usage is marked Re-connect in APN Profile, the PDNs are deleted with Re-Activation cause code. TAI List will be taken from TAI Management DB or MEC TAI Group based on the configuration of TAI List and UP address".

Figure 64: Attach in TA-1, TAU from TA-2, IDLE Mode and SR in TA-2

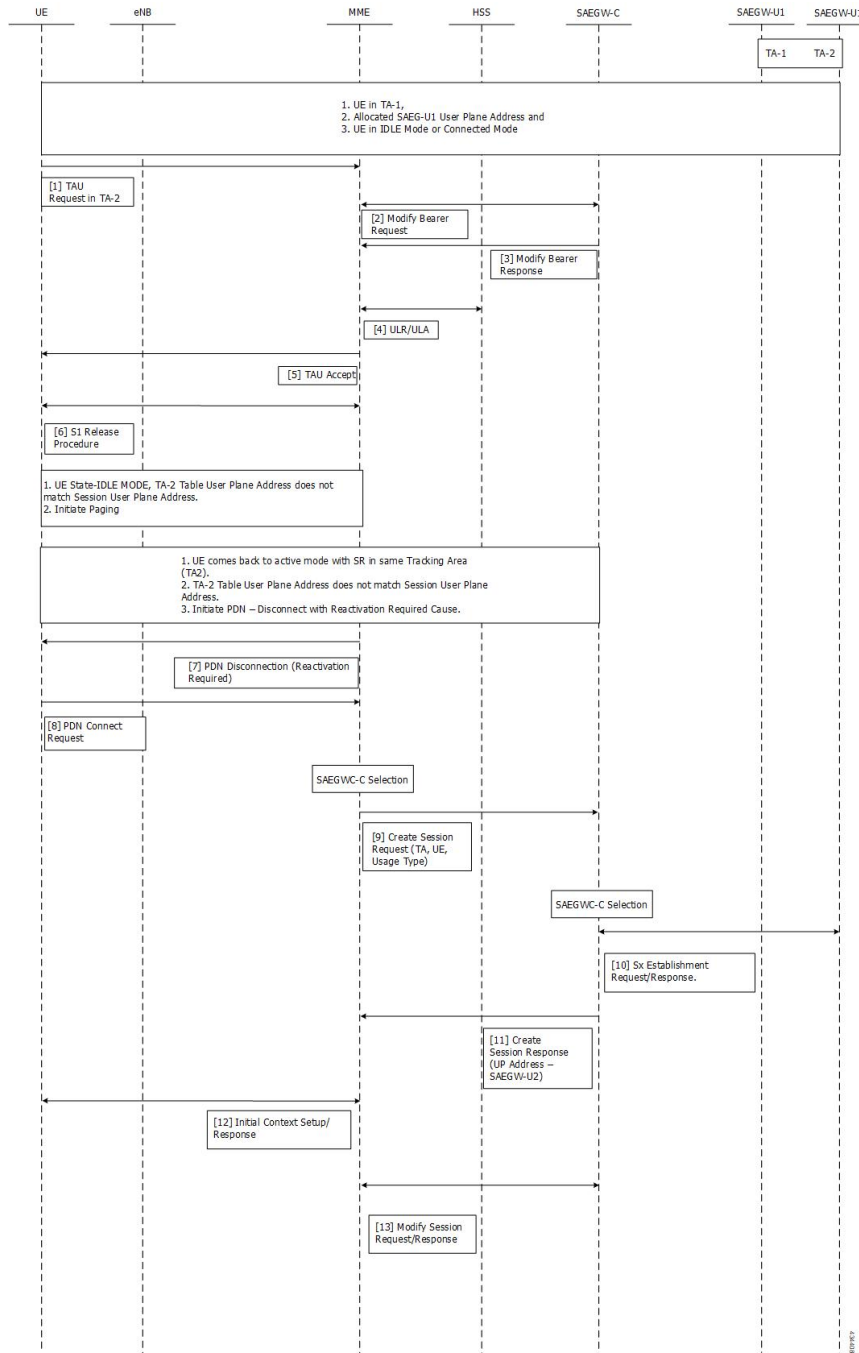
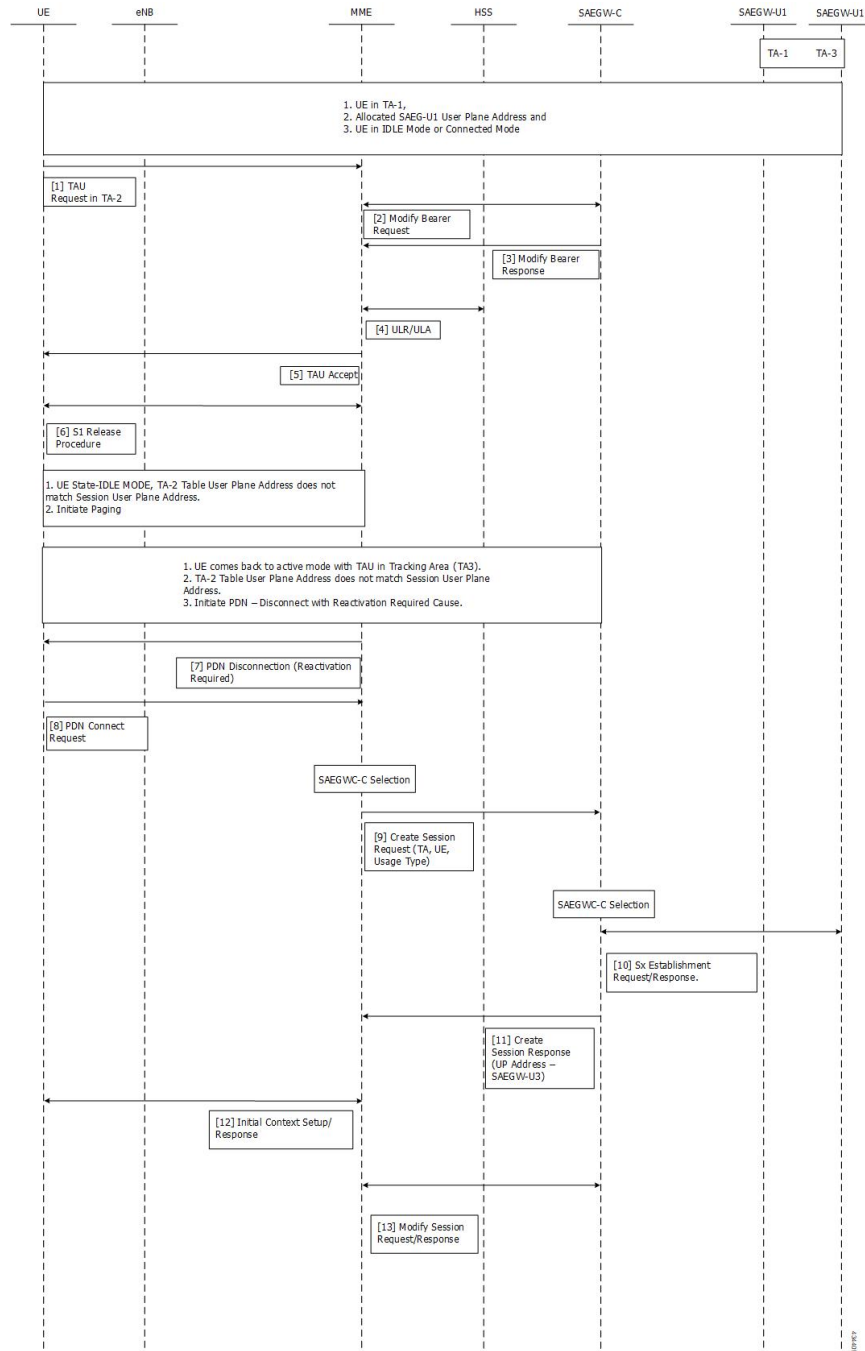


Figure 65: Attach in TA-1, TAU from TA-2, IDLE Mode and TAU in TA-3



# Configuring MEC Support

This section provides information on the CLI commands to configure MEC Support in the MME.

## Configuring up-address in TAI Management DB

Use the following configuration to configure the addresses of User Plane Nodes Serving all TAIs in this object.

```
configure
  lte-policy
    tai-mgmt-db tai_mgmt_db_name
      tai-mgmt-obj tai_mgmt_obj_name
        [ no ] up-address ( IP-ADDRESS | IP-ADDRESS/MASK }
      end
  end
```

### NOTES:

- **no**: Removes the addresses of User Plane Nodes Serving all TAIs in this object.
- **[ no ] up-address ( IP-ADDRESS | IP-ADDRESS/MASK }** Configures the addresses of User Plane Nodes Serving all TAIs in this Object. **IP-ADDRESS** must be an IPv4 `###.###.###.###` or IPv6 `#####:#####:#####:#####:#####:#####`. Also supports `::` notation **IP-ADDRESS/MASK** must be an IPv4 `###.###.###.###/x` or IPv6 `#####:#####:#####:#####:#####:#####/x`.

## Configuring up-address in MEC TAI Group

Use the following configuration to configure the up-address of User Plane Nodes Serving all TAIs in this object.

```
configure
  lte-policy
    mec-tai-grp mec_tai_grp_name
      [ no ] up-address ( IP-ADDRESS | IP-ADDRESS/MASK } mef-address
      iPV4/iPV6_address
    end
```

### NOTES:

- **no**: Removes the addresses of User Plane Nodes Serving all TAIs in this object.
- **up-address ( IP-ADDRESS | IP-ADDRESS/MASK }** Configures the addresses of User Plane Nodes Serving all TAIs in this Object. **IP-ADDRESS** must be an IPv4 `###.###.###.###` or IPv6 `#####:#####:#####:#####:#####:#####`. Also supports `::` notation **IP-ADDRESS/MASK** must be an IPv4 `###.###.###.###/x` or IPv6 `#####:#####:#####:#####:#####:#####/x`.
- **mef-address *iPV4/iPV6\_address***: Configures the peer MEF server address for MEF signalling. *iPV4/iPV6\_address* must be IPv4 `###.###.###.###` or IPv6 `#####:#####:#####:#####:#####:#####` (IPv6 also supports `::` notation).

## Configuring tai in MEC TAI Group

Use the following configuration to configure the Tracking Area Identity.

```
configure
  lte-policy
    mec-tai-grp mec_tai_grp_name
      [ no ] tai mcc mcc_value mnc mnc_value { tac value1... value20 | tac-range
```

```

from tac_value_from to tac_value_to }
      [ no ] up-address ( IP-ADDRESS | IP-ADDRESS/MASK )
end

```

**NOTES:**

- **no**: Removes the configuration of tai.
- **mec-tai-grp** *mec\_tai\_grp\_name*: Configures MEC TAI Group. *mec\_tai\_grp\_name* must be a string between 1 to 64. Maximum of 50 MEC TAI Groups can be configured.
- **tai**: Specifies the Tracking Area Identity.
- **mcc** *mcc\_value*: Specifies the Mobile Country Code. *mcc\_value* must be a three digit integer between 0 to 999.
- **mnc** *mnc\_value*: Specifies the Mobile National Code. *mnc\_value* must be a two / three digit integer between 00 to 999.
- **tac** *value1... value20*: Specifies the Tracking Area Code. Upto 20 Tracking Area Codes can be entered on one line. It can be configured by entering TAC directly or using range. *value1... value20* must be an integer between 0 to 65535.
- **tac-range from** *tac\_value\_from* **to** *tac\_value\_to* : Specifies the Range of Tracking Area Code. Maximum of 5 ranges in a MEC TAI group can be configured. *tac\_value\_from* and *tac\_value\_to* must be an integer between 0 to 65535.

## Configuring up-service-area-change

Use the following configuration to configure action for User-Plane Service Area Change for MME.

```

configure
  context context_name
    apn-profile apn_profile_name
      up-service-area-change disconnect-pdn [ ue-usage-type ]
      ue_usage_type_values
    end

```

**NOTES:**

- **up-service-area-change**: Configures action for User-Plane Service Area Change for MME.
- **disconnect-pdn**: Enables reselection of User Plane Node by PDN disconnection.
- **ue-usage-type** *ue\_usage\_type\_values*: Configures UE usage type for disconnecting PDN for UP service area. *ue\_usage\_type\_values* must be an integer 1 through 255.




---

**Important** Release 21.15 onwards, PGW-U IP address is used for User Plane address.

---

## Monitoring and Troubleshooting

This section provides information regarding show commands available to monitor this feature.

## Show Commands and Outputs

### show mme-service statistics

The output of this command includes the following fields:

Paging Initiation for SIGNALING PDN RECONN Events:

- Attempted
- Success
- Failures
  - Success at Last n eNB
  - Success at TAI List
  - Success at Last TAI

### show lte-policy mec-tai-grp name <grp\_name>

The output of this command includes the following fields:

MEC TAI Group group grp\_name

- TAI mcc 123 mnc 45 tac 2010 2011 2457
- TAI mcc 123 mnc 456 tac
- UP-address 192.80.80.10 MEF-ADDRESS 192.80.80.175

### show lte-policy mec-tai-grp summary

- MEC TAI Group group1
- MEC TAI Group group2

## Bulk Statistics

The following statistics are added in support of the MEC Location Management feature:

*Table 48: MME Schema*

Bulk Statistics	Description
signalling-pdn-reconn-paging-init-events-attempted	The total number of ECM Statistics-related Paging requests to UE, to reconnect PDN, that were attempted.
signalling-pdn-reconn-paging-init-events-success	The total number of ECM Statistics-related Paging requests to UE, to reconnect PDN, that were successful.



Bulk Statistics	Description
signalling-pdn-reconn-paging-init-events-failures	The total number of ECM Statistics-related Paging requests to UE, to reconnect PDN, that failed.
signalling-pdn-reconn-paging-last-enb-success	The total number of ECM Statistics-related Paging requests to UE to reconnect PDN that succeeded at the last known eNodeB.
signalling-pdn-reconn-paging-last-tai-success	The total number of ECM Statistics-related Paging requests to UE to reconnect PDN that succeeded at the last known Tracking Area Identifier.
signalling-pdn-reconn-paging-tai-list-success	The total number of ECM Statistics-related Paging requests to UE to reconnect PDN that succeeded at an eNodeB in all TAIs present in the TAI list assigned to the UE.

Table 49: TAI Schema

Bulk Statistics	Description
tai-signalling-pdn-reconn-paging-init-events-attempted	The total number of ECM Statistics-related Paging requests to UE, to reconnect PDN, that were attempted.
tai-signalling-pdn-reconn-paging-init-events-success	The total number of ECM Statistics-related Paging requests to UE, to reconnect PDN, that were successful.
tai-signalling-pdn-reconn-paging-init-events-failures	The total number of ECM Statistics-related Paging requests to UE, to reconnect PDN, that failed.
tai-signalling-pdn-reconn-paging-last-enb-success	The total number of ECM Statistics-related Paging requests to UE to reconnect PDN that succeeded at the last known eNodeB.
tai-signalling-pdn-reconn-paging-last-tai-success	The total number of ECM Statistics-related Paging requests to UE to reconnect PDN that succeeded at the last known Tracking Area Identifier.
tai-signalling-pdn-reconn-paging-tai-list-success	The total number of ECM Statistics-related Paging requests to UE to reconnect PDN that succeeded at an eNodeB in all TAIs present in the TAI list assigned to the UE.





## CHAPTER 66

# MME Masked IMEISV

- [Feature Summary and Revision History, on page 641](#)
- [Feature Description, on page 642](#)
- [Enabling and Disabling Masked IMEISV, on page 642](#)

## Feature Summary and Revision History

### Summary Data

Applicable Product(s) or Functional Area	MME
Applicable Platform(s)	<ul style="list-style-type: none"><li>• ASR 5500</li><li>• <i>VPC-DI</i></li><li>• <i>VPC-SI</i></li></ul>
Feature Default	Disabled
Related Changes in This Release	Not applicable
Related Documentation	<ul style="list-style-type: none"><li>• <i>MME Administration Guide</i></li><li>• <i>Statistics and Counters Reference</i></li></ul>

### Revision History

Revision Details	Release
First Introduced	21.23

## Feature Description

Some 5G devices do not support 3GPP wireless function as they comply with R15 standard. To make those devices 3GPP compatible, Router Area Network (RAN) requires the model and software information of the specific devices.

MME provides "Masked IMEISV" IE to RAN and makes the unsupported 5G devices compatible for 3GPP wireless functions.

In order to address this device compatibility issue, a new configuration command is introduced in the "mme-service" configuration mode. It enables and disables the sending of the masked International Mobile Station Equipment Identity and Software Version Number (IMEISV) value in the following S1AP messages:

- Initial Context Setup Request
- Handover Request

The (IMEISV) is an Optional IE in the S1AP "Initial Context Setup Request" and "Handover Request" messages. The IMEISV is composed of the following elements (each element must be in decimal digits only):

- Type Allocation Code(TAC) and length is 8 digits
- Serial Number (SNR) is an individual serial number uniquely identifying each equipment within each TAC and its length is 6 digits
- Software Version Number (SVN) identifies the software version number of the mobile equipment and its length is 2 digits
- When the masked imeisv flag is enabled, the last 4 digits of the SNR value are converted as ffff before sending . However, the original imeisv value cannot be modified

## Enabling and Disabling Masked IMEISV

Use the following configuration commands to enable and disable masked IMEISV in the S1AP messages "Initial Context Setup Request" and " Handover Request":

```
configure
context context_name
mme-service service_name
[ no ] enable-masked-imeisv
end
```



## CHAPTER 67

# MME Bearer Request Message During Handover Process

- [Feature Summary and Revision History, on page 643](#)
- [Overview, on page 644](#)
- [How It Works, on page 644](#)
- [Updating Bearer Response During 3G to 4G GnGp HO and TAU Process, on page 645](#)
- [Show Commands and Outputs, on page 645](#)

## Feature Summary and Revision History

### Summary Data

Applicable Product(s) or Functional Area	MME
Applicable Platform(s)	<ul style="list-style-type: none"><li>• ASR 5000</li><li>• ASR 5500</li><li>• VPC-DI</li><li>• VPC-SI</li></ul>
Feature Default	Disabled - Configuration Required
Related Changes in This Release	Not applicable
Related Documentation	<ul style="list-style-type: none"><li>• <i>Command Line Interface Reference</i></li><li>• <i>MME Administration Guide</i></li><li>• <i>Statistics and Counters Reference</i></li></ul>

### Revision History

Revision Details	Release
In this release, MME supports the <b>current Nb of UBR's buffered at MME app</b> statistics in the active mme-service configuration and supports dynamic activation of MME bearer request message during handover process.	21.23.20
In this release, MME supports: <ul style="list-style-type: none"> <li>• EGTPC buffering when UBR arrives between Create Session Request and Response sequence.</li> <li>• If dedicated bearer information is present both the delayed ERAB and MBC procedures are triggered allowing the remaining bearer details from the stored UBR to be sent to the UE.</li> </ul>	21.21
First introduced	21.20

## Overview

In MME, there are Key Performance Index (KPI) failures seen in the GTPv2 Update Bearer Request messages received during the 3G-to-4G Handover/TAU procedures.

To overcome this issue, a globally enabled flag is used as an entry in the MME Service to improve the KPI success rate of GTPv2 Update Bearer Request failures during the following 3G-to-4G Handover/TAU procedures:

- Gn/Gp SGSN to MME Tracking Area Update procedure
- Gn/Gp SGSN to MME combined hard handover and SRNS relocation procedure

When enabled, if an Update Bearer Request (UBR) message is received during the Gn/Gp procedures the UBR is stored, and an Update Bearer Response with “Request Accepted” cause code 16 is sent back to the SGW. On completion of the Gn/Gp procedure, if a UBR is stored the MME (depending on other events) sends a delayed E-RAB Modify Request message to the eNB using the QoS details in the stored UBR.



**Note** The delayed E-RAB Modify procedure is non-3GPP compliant behavior. This procedure is non-3GPP compliant and is not designed to be enabled dynamically. If configured dynamically, it could interfere with UE's in mid bearer modification procedures and cause adverse affects. Hence, this feature should only be enabled during system start-up from saved CLI configuration.

## How It Works

If an update bearer request is received during a Gn/Gp Handover /TAU procedure instead of discarding the message (if it arrives in between a Create Session Request/Response sequence) or responding with a

“Temporarily rejected due to handover/TAU/RAU procedure in progress” cause code 110, a successful response with cause code 16 is sent, and the UBR is stored for later E-RAB modification processing.

The new feature is active through the CLI flag. After receiving an Update Bearer Request, MME sends a bearer response with Cause Code 16 as "Request Accepted" to the SGW and then stores the Update Bearer Request for processing it later once the 3G-to-4G Handover/TAU procedure is completed.

Once the Gn/Gp Handover/TAU procedure is completed, if there is no "HSS Initiated Subscribed QoS Modification" procedure-based modify bearer command to process, a delayed E-RAB Modify procedure is performed towards the eNB/UE. It ensures that the eNB/UE's QoS parameters are in sync with the MME/SGW/PGW using the information in the stored update bearer request. If the modify bearer command message fails (either via a modify bearer failure Indication or re-transmission timeout) then the delayed E-RAB modify procedure is performed to ensure the eNB/UE's QoS parameters are in sync with the MME/SGW/PGW.




---

**Important** If dedicated bearer information is present both the delayed ERAB and MBC procedures are triggered allowing the remaining bearer details from the stored UBR to be sent to the UE.

---

If any error occurs during the delayed E-RAB Modify procedure towards the eNB/UE, the MME performs a "UE Context Release Command" procedure towards the eNB/UE, to rectify the error situation.

## Updating Bearer Response During 3G to 4G GnGp HO and TAU Process

Use the following configuration to update the bearer response during 3G to 4G GnGp HO and TAU process:

```
configure
  context context_name
    mme-service mme_service_name
      [ no ] buffer-ubreq-from-3g-to-4g
  end
```

## Show Commands and Outputs

### show update-bearer-request-stats

The output of this command displays the update bearer Response Cause Code (CC16) statistics during HO/3G-4G TAU:

The output of this command includes the following fields:

- **Forced\_UBResp\_CC16\_during\_HO\_3G\_4G\_TAU\_TX** – Displays the total number of counts of update bearer response during 3G-4G GnGp HO TAU and TX process.
- **Current Nb of UBRs buffered at mme app** – Displays current number of UBR buffered at MME application.



---

**Note** The above two statistics will not be recovered after session manager restart. Hence these counters will be reset after a session manager restart.

---

**show mme-service *mme\_service\_name***

The output of this command displays the configuration of all MME services:

- **buffer-ubreq-from-3g-to-4g** – Displays the enabled and disabled bearer response during 3G-4G GnGp HO and TAU process.

**show mme-service all**

The output of this command displays the configuration of all MME services:

- **buffer-ubreq-from-3g-to-4g** – Displays the enabled and disabled bearer response during 3G-4G GnGp HO and TAU process.





# CHAPTER 68

## MME Clear Subscriber Enhancement

- [Feature Summary and Revision History, on page 647](#)
- [Feature Description, on page 648](#)
- [MME Clear-Subscriber Enhancement, on page 648](#)
- [Monitoring and Troubleshooting, on page 648](#)

### Feature Summary and Revision History

#### Summary Data

Applicable Product(s) or Functional Area	MME
Applicable Platform(s)	<ul style="list-style-type: none"> <li>• ASR 5500</li> <li>• VPC-DI</li> <li>• VPC-SI</li> </ul>
Default Setting	Enabled - Configuration Required
Related Changes in This Release	Not Applicable
Related Documentation	<ul style="list-style-type: none"> <li>• <i>Command Line Interface Reference</i></li> <li>• <i>MME Administration Guide</i></li> <li>• <i>Statistics and Counters Reference</i></li> </ul>

#### Revision History

Revision Details	Release
First introduced.	21.14

## Feature Description

The `clear subscribers mme-only` command is enhanced with the `tai` (Tracking Area Identity), `mcc` (Mobile Country Code), `mnc` (Mobile Network Code) and `tac` (Tracking Area Code).

`tac`

The new command helps to clear the subscribers that are based on tracking area identify.

## MME Clear-Subscriber Enhancement

This section provides information on the newly introduced CLI commands and configuration of MME "clear subscriber".

### Configuring Clear Subscriber MME-Only

Use the following configuration to clear the subscriber using newly introduced keyword `tai`.

```
clear subscribers mme-only tai mcc mobile_country_code mnc mobile_network_code  
tac tracking_area_code  
end
```

#### NOTES:

- **tai** : Specifies specific TAI Interface, must be followed by `mcc`, `mnc`, and `tac`.
- **mcc** *mobile\_country\_code*: Specifies mobile country code. *mobile\_country\_code* must be a string of size 3 to 3 ranging from 100 through 999.
- **mnc** *mobile\_network\_code*: Specifies mobile network code. *mobile\_network\_code* must be a string of size 2 to 3 ranging from 00 through 999.
- **tac** *tracking\_area\_code*: Specifies tracking area code. *tracking\_area\_code* must be an integer value between 1 and 65535.

## Monitoring and Troubleshooting

This section provides information regarding newly introduced show command and its output.

### Show Commands and Outputs

```
show mme-service statistics tai taidb taidb_name mcc mcc_value tac tac_value
```

The output of this command includes the following fields:

Session Statistics:

Total Subscribers:

- Attached Calls

- Connected Calls
- Idle Calls




---

**Important** Above TAI level session statistics (Attached calls, Connected Calls & Idle Call) cannot be cleared by CLI command “clear mme-service statistics tai all” or “clear mme-service statistics taidb taidb\_name” as they are current statistics.

---

## Bulkstatistics

This section provides information on the bulk statistics introduced as part of MME Clear-Subscriber Enhancement feature in MME TAI Schema.

<b>Bulkstatistics</b>	<b>Description</b>
tai-sess-call-attached	The current total number of calls in attached per TAI.
tai-sess-call-connected	The current total number of calls in connected state per TAI.
tai-sess-call-idle	The current total number of calls in idle state.





## CHAPTER 69

# MME MDT Management Support

- [Feature Summary and Revision History, on page 651](#)
- [Feature Description, on page 652](#)
- [Configuring MDT Management, on page 652](#)
- [Monitoring and Troubleshooting, on page 652](#)

## Feature Summary and Revision History

### Summary Data

Applicable Product(s) or Functional Area	MME
Applicable Platform(s)	<ul style="list-style-type: none"><li>• ASR 5500</li><li>• VPC-DI</li><li>• VPC-SI</li></ul>
Default Setting	Disabled - Configuration Required
Related Changes in This Release	Not Applicable
Related Documentation	<ul style="list-style-type: none"><li>• <i>Command Line Interface Reference</i></li><li>• <i>MME Administration Guide</i></li><li>• <i>Statistics and Counters Reference</i></li></ul>

### Revision History

Revision Details	Release
First introduced.	21.17

## Feature Description

If "MDT User Consent AVP" with value CONSENT\_GIVEN(1) is received from HSS/S6a, MME encodes MDT Management Allowed IE in S1AP ICSR and Handover Request messages. Also, during handover this MDT status information is sent as part of Indication flags IE in Forward Relocation Request and Context Response messages.

## Configuring MDT Management

This section describes how to configure MME MDT Management.

## Configuring MME Minimization Drive Test

Use the following configuration to configure minimization drive test.

```
configure
  context context_name
    mme-service service_name
      [ no ] minimization-drive-test
    end
```

### NOTES:

- **no minimization-drive-test**: Disables the Minimization Drive Test (MDT) handling on MME.
- **minimization-drive-test**: Enable Minimization Drive Test (MDT) handling on MME.

## Monitoring and Troubleshooting

This section provides information regarding show commands and bulk statistics available to monitor and troubleshoot the MME MDT Management.

## Show Commands and Outputs

### show mme-service all

The output of this command includes the following fields:

- Minimization Drive Test



# CHAPTER 70

## MME-MEF Interface

- [Feature Summary and Revision History, on page 653](#)
- [Feature Description, on page 654](#)
- [How It Works, on page 654](#)
- [Configuring MME MEF Interface, on page 658](#)
- [Monitoring and Troubleshooting, on page 659](#)

## Feature Summary and Revision History

### Summary Data

Applicable Product(s) or Functional Area	MME
Applicable Platform(s)	<ul style="list-style-type: none"><li>• ASR 5500</li><li>• VPC-DI</li><li>• VPC-SI</li></ul>
Default Setting	Enabled - Configuration Required
Related Changes in This Release	Not Applicable
Related Documentation	<ul style="list-style-type: none"><li>• <i>Command Line Interface Reference</i></li><li>• <i>MME Administration Guide</i></li><li>• <i>Statistics and Counters Reference</i></li></ul>

### Revision History

Revision Details	Release
First introduced.	21.14

## Feature Description

A new service based on egtp-service supports MME's MEF functionality. This service handles a proprietary interface to deliver MEF events to MEF server based out of GTPv2 interface. This service creates a local end-point for the MEF interface which can be associated with the MME service. The maximum number of MEF services that can be created is limited to the maximum number of allowed egtp-service.

MME uses this interface to communicate with the peer MEF servers configured by the operator for each UP address. MME sends the MEF events to peer MEF server for only one PDN per UE, where it's created for MEC enabled APN along with UE-Usage-Type set to "PDN reconnection with MEF interworking". Following are list of messages defined for MEF interface:

- Subscriber-Activate-Request
- Subscriber-Modify-Request
- Subscriber-Delete-Request
- Subscriber-Audit-Request
- Subscriber-Audit-Response

Along with the list of above messages, ECHO-REQ and ECHO-RESPONSE are also supported for MEF interface path management.

## How It Works

### Architecture

Following messages are supported by MEF interface:

- Subscriber-Activate-Request
- Subscriber-Modify-Request
- Subscriber-Delete-Request
- Subscriber-Audit-Request
- Subscriber-Audit-Response

#### Subscriber-Activate-Request

MME sends a Subscriber-Activate-Request message to MEF server whenever the MEC PDN gets created for the UE either through Attach or PDN-Connect procedure. After Modify-Bearer-Request sent to SGW, MME sends this message to MEF with the following details:

Information Elements	Presence	Condition/Comment	IE Type	Ins
IMSI	M			



User Location Information (ULI)	M	Include ECGI and TAI.
PDN Address Allocation (PAA)	M	The PDN type field in the PAA must be set to IPv4, or IPv6 or IPv4v6.
Sender F-TEID for Control Plane	M	Sender F-TEID
Access Point Name (APN)	M	
UE Usage Type	M	This IE must be set to the subscribed UE Usage Type, if received from the HSS.

### Subscriber-Modify-Request

MME sends Subscriber-Activate-Request message to the MEF server, whenever UE mobility occurs through Tracking-Area-Update (TAU), Service-Request, Handovers (S1/X2 Handover), and Location-Report with the ECGI change. MME does not send this event to MEF if any of the earlier procedures resulted only in the TAI change and no change in ECGI. Once the earlier mobility procedure compiled successfully with the ECGI change the MME sends the following details to MEF.

Information Elements	Presence	Condition/Comment	IE Type	Ins
IMSI	M		IMSI	0
User Location Information (ULI)	M	Include ECGI and TAI	ULI	0

### Subscriber-Delete-Request

MME sends Subscriber-Delete-Request message to MEF server, whenever MEC PDN gets terminated for the UE either through Detach or PDN-Disconnect procedure. MME sends this message to MEF with the following details.

Information Elements	Presence	Condition/Comment	IE Type	Ins
IMSI	M		IMSI	0
User Location Information (ULI)	M	Include ECGI and TAI	ULI	0

PDN Address Allocation (PAA)	M	The PDN type field in the PAA must be set to IPv4, or IPv6 or IPv4v6.	PAA	0
------------------------------	---	---	-----	---

MEF performs auditing for each UE periodically or when MEF receives MEC messages for unknown IMSI.

### Subscriber-Audit-Request

MEF performs auditing for each UE periodically and when it receives MEC messages for unknown IMSI. It sends the Subscriber-Audit-Request message to MME with the IMSI of the subscriber for which it wants to perform an audit. In case of auditing for Unknown-IMSI, MEF sends the TEID as 0 in GTPv2 header, otherwise MEF fills the TEID information that is received in the Subscriber-Activate-Request from MME. MME responds with Subscriber-Audit-Response to MEF.

Information Elements	Presence	Condition/Comment	IE Type	Ins
IMSI	M		IMSI	0

### Subscriber-Audit-Response

MME sends this message to MEF when it receives the Subscriber-Audit-Request for an IMSI. It responds with success or failure cause based on the availability of UE information. If MME does not have valid UE-Context for the IMSI received in Audit-Request, it responds with cause as “Context-Not-Found”, otherwise it sends the IMSI, PAA (IP address IPv4/v6), ECGI, TAI, APN-NI, UE-Usage-Type and so on.

Information Elements	Presence	Condition/Comment	IE Type	Ins
Cause	M		Cause	0
IMSI	M		IMSI	0
User Location Information (ULI)	CO	It includes ECGI and TAI.	ULI	0
PDN Address Allocation (PAA)	CO	The PDN type field in the PAA must be set to IPv4 or IPv6 or IPv4v6.	PAA	0
Access Point Name (APN)	CO		APN	0
UE Usage Type	CO	This IE must be set to the subscribed UE Usage Type, if received from the HSS.	Integer Number	0

REQ-ACCEPTED (Successful scenario where the MME can find the UE) and CONTEXT-NOT-FOUND (Failure cases where the MME is unable to find UE or invalid IMSI, and so on) are valid causes that are included in the Subscriber-Audit-Response's for different conditions.

### Connection Auditing

MME/MEF performs the connection auditing by sending "ECHO-REQ" after the echo timer expiry which is configurable at MME under egtp-service.

**ECHO Request:** MME/MEF sends the ECHO-REQ whenever the configured echo-timer expires. MME initiates the ECHO-REQ when it has one valid session at-least towards the peer MEF server.

Information Elements	Presence	Condition/Comment	IE Type	Ins
Recovery	M		Recovery	0
Sending Node Features	CO	This IE sends towards a peer node on any GTPv2 interface if the sending node supports at least one feature on this interface or if the sending node supports at least one feature and does not know the interface type towards the peer node. This IE may be present otherwise.	Node Features	0
Private Extension	O	It includes ECGI and TAI.	Private Extension	VS

### ECHO Response

MME/MEF responds with ECHO-RESPONSE whenever it receives ECHO-REQ from the peers.

Information Elements	Presence	Condition/Comment	IE Type	Ins
Recovery	M		Recovery	0
Sending Node Features	CO	This IE sends towards a peer node on any GTPv2 interface if the sending node supports at least one feature on this interface or if the sending node supports at least one feature and does not know the interface type towards the peer node. This IE may be present otherwise.	Node Features	0
Private Extension	O		Private Extension	VS

## Limitations

- New MEF messages use the unused Message Type from GTPv2 specification. Any new message type defined by 3GPP for GTPv2 will impact the working of MEF interface.

- When MME requests PDN disconnection at GW-U area change, "Subscriber-Delete-Request" is sent and then re-selection of MEF is done at PDN connection establishment.
- MEF grouping and MEF redundancy (primary/secondary link) are not supported in this release.
- Run-time configuration change of MEF server address and disabling of MEF interworking will take effect only for the new subscribers.
- Run-time configuration change to remove association of MEF service under MME service and removal of MEF service will take effect immediately.

## Configuring MME MEF Interface

This section provides information on the CLI commands to configure MME MEF Interface.

### Configuring egtp-mef-service

Use the following configuration to associate the given egtp-service for MEF interface at the MME.

```
configure
  context context_name
    mme-service service_name
      associate egtp-mef-service egtp_mef_service_name context context_name
      no associate egtp-mef-service
    end
```

#### NOTES:

- *no* Removes the association for MEF interface at the MME.
- **egtp-mef-service** *egtp\_mef\_service\_name* : Associates the given egtp-service for MEF interface at the MME.  
*egtp\_mef\_service\_name* must be a string from 1 to 63.
- **context** *context\_name*: Specifies the context to which the service belongs.  
*context\_name* must be a string from 1 to 79.

### Configuring Peer MEF Address

Use the following configuration to configure peer MEF Address.

```
configure
  lte-policy
    tai-mgmt-db db_name
      tai-mgmt-obj obj_name
        [ no ] up-address ip_address mef-address ip_address
      end
```

#### NOTES:

- *no*: Disables the configuration of peer MEF address.

- **mef-address***ip\_address*: Configures the peer MEF server address for MEF signalling. *ip\_address* must be any IPV4 address of notation *##.##.##.##* or IPV6 address of notation *#####.#####.#####.#####.#####.#####.#####.#####* . IPV6 also supports *::* notation.

## Monitoring and Troubleshooting

This section provides information regarding show commands and bulk statistics available to monitor and troubleshoot the MME MEF Interface.

### Show Commands and Outputs

#### **show mme-service all**

The output of this command includes the following fields:

- EGTP MEF Context
- EGTP MEF Service

#### **show mme-service name <service-name>**

The output of this command includes the following fields:

- EGTP MEF Context
- EGTP MEF Service

#### **Show lte-policy tai-mgmt-db name <db-name>**

- MEF-ADDRESS

#### **Show lte-policy tai-mgmt-db name <db-name> tai-mgmt-obj name <obj-name>**

- MEF-ADDRESS

#### **Show egtpc statistics**

The output of this command includes the following fields:

MEF Messages:

- MEF Subscriber Activate Request:
  - Initial TX:
- MEF Subscriber Modify Request:
  - Initial TX:
- MEF Subscriber Delete Request:

- Initial TX:
- MEF Subscriber Audit Response:
  - Initial TX:
- MEF Subscriber Audit Request:
  - Initial RX:



---

**Important** MEF statistics block is displayed only when the values are non-zero.

---

### **Show egtpc statistics event-statistics**

The output of this command includes the following fields:

Event Statistics at EGTPC:

- MEF Subscriber Audit Indication Evt

Request Events (from SAP to EGTPC):

- MEF Subscriber Activate Request Evt
- MEF Subscriber Modify Request Evt
- MEF Subscriber Delete Request Evt

Response Events (from SAP to EGTPC)

- MEF Subscriber Audit Response Evt

### **Show mme-service statistics debug**

The output of this command includes the following fields:

Recovery:

- Failed MEF EGTPC Recovery
- Bad Peer MEF ctxt
- Failed MEF tunnel handles

Checkpoint:

- Bad MEF Ctxt



# CHAPTER 71

## MME Support for EN-DC SON Configuration Transfer IE on S1-AP

- [Feature Summary and Revision History](#), on page 661
- [Feature Description](#), on page 662
- [Monitoring and Troubleshooting](#), on page 662

### Feature Summary and Revision History

#### Summary Data

Applicable Product(s) or Functional Area	MME
Applicable Platform(s)	<ul style="list-style-type: none"><li>• ASR 5500</li><li>• VPC-DI</li><li>• VPC-SI</li></ul>
Default Setting	Configuration Not Required
Related Changes in This Release	Not Applicable
Related Documentation	<i>MME Administration Guide</i>

#### Revision History

Revision Details	Release
This feature is fully qualified in this release.	21.18
First introduced.	21.17
<b>Important</b> This feature is not fully qualified in this release, and is available only for testing purposes. For more information, contact your Cisco Account representative.	

## Feature Description

Configuration Transfer enables the transfer of information between two eNodeBs at any time via S1 interface and the Core Network.

MME supports EN-DC SON Configuration Transfer IE in eNB Configuration Transfer Message and MME Configuration Transfer Message in compliance with specification 36.413 V15.6.0.

eNB Configuration Transfer procedure is initiated with eNB configuration transfer message sent from the eNB to the MME. If the MME receives the EN-DC SON Configuration Transfer IE, it transparently transfers the EN-DC SON Configuration Transfer IE either towards the eNB indicated in the Target eNB-ID IE or towards an eNB connected to the en-gNB indicated in the Target en-gNB-ID IE which is included in the EN-DC SON Configuration Transfer IE. MME sends EN-DC SON Configuration information through the Configuration Transfer Tunnel Message to the peer MME.

MME identifies the dynamic eNB to en-gNB mapping entries through the Connected en-gNB List IE in the S1 Setup Request message. The connected en-gNB List IE includes Connected en-gNB To Be Added List IE and Connected en-gNB To Be Removed List IE in eNB Configuration Update message. MME maintains eNB and en-gNB mapping entries to handle enb config transfer messages that are received with target engnb-id but without target enb-id.

**Fetch the target eNB connected to a target en-gNB ID:** In some scenarios, when the UE moves to a coverage of en-gNB, which is not added as secondary node to the eNB, but the UE is presently connected to eNB will use ANR procedures to add en-gNB as secondary node and send ENB CONFIGURATION TRANSFER message to the MME. Currently eNB may not send the right Tracking Area Update (TAC) in the selected TAI of target en-gNB. This mapping of eNodeB to en-gNB id with PLMN and TAC in MME, could result in secondary node addition failure.

To overcome this scenario, MME supports seamless mobility between two gNBs connected with eNBs in the same or different TACs. MME maps eNodeB to en-gNB ID plus bPLMN received in the S1 setup and eNB Configuration Update requests. Thus the en-gNB ID and PLMN key fetch target eNB connected to target en-gNB ID seamlessly. If a multiple target eNB ID matches, the first available eNB with the association state in MME as **UP** is selected.

## Monitoring and Troubleshooting

This section provides information regarding show commands available to monitor and troubleshoot the MME feature.

### Show Commands and Outputs

#### **show mme-service enodeb-association connected-en-gnb all**

The output of this command includes the following field:

- connected-en-gnb all — Shows all the en-gNBs connected to all eNodeBs.

The sample configuration output is an example for the **show mme-service enodeb-association connected-en-gnb all** command :

```
asr5500# show mme-service enodeb-association connected-engnb all
MMEMgr                                     : Instance 1
```



```
Peerid                : 17301506
Global ENodeB ID     : 123:123:456
  Connected engNB ID : 4194306
  Broadcast PLMNs    :123:456
                    123:455
TAC                   : 2400
```

**show mme-service enodeb-association connected-en-gnb enodeb-name <enb name>**

The output of this command includes the following field:

- **connected-en-gnb enodeb-name <enb name>** — Shows en-gNBs connected to specific eNodeB.

The sample configuration output is an example for the **show mme-service enodeb-association connected-en-gnb enodeb-name <enb name>** command

```
jasr5500# show mme-service enodeb-association connected-engnb enodeb-name enb1
MMEMgr                : Instance 1
Peerid                : 17301506
Global ENodeB ID     : 123:123:456
  Connected engNB ID : 4194306
  Broadcast PLMNs    :123:456
                    123:455
TAC                   : 2400
```





## CHAPTER 72

# MME Support on VPC-SI

- [Feature Summary and Revision History, on page 665](#)
- [Feature Description, on page 665](#)

## Feature Summary and Revision History

### Summary Data

Applicable Product(s) or Functional Area	MME
Applicable Platform(s)	VPC-SI
Feature Default	Disabled – License required to enable
Related Changes in This Release	Not Applicable
Related Documentation	Not Applicable.

### Revision History

Revision Details	Release
First introduced.	21.28.m14

## Feature Description

MME supports VPC-SI with VMware ESXi 7.0.3





# CHAPTER 73

## MO Voice Call and MO Exception Data Support

- [Feature Summary and Revision History, on page 667](#)
- [Feature Description, on page 668](#)
- [How It Works, on page 668](#)
- [Configuring MO Voice and MO Exception Data Support, on page 668](#)
- [Monitoring and Troubleshooting, on page 669](#)

### Feature Summary and Revision History

#### Summary Data

Applicable Product(s) or Functional Area	MME
Applicable Platform(s)	<ul style="list-style-type: none"> <li>• ASR 5500</li> <li>• VPC-DI</li> <li>• VPC-SI</li> </ul>
Default Setting	Disabled - Configuration Required
Related Changes in This Release	Not Applicable
Related Documentation	<ul style="list-style-type: none"> <li>• <i>Command Line Interface Reference</i></li> <li>• <i>MME Administration Guide</i></li> <li>• <i>Statistics and Counters Reference</i></li> </ul>

#### Revision History

Revision Details	Release
First Introduced.	21.16

## Feature Description

eNodeB forwards the Attach Request message to MME contained in a S1-MME control message (Initial UE message) together with the Selected Network and an indication of the E-UTRAN Area identity, a globally unique E-UTRAN ID of the cell, RRC establishment cause and GUMMEI ID. MME handles the ASN encoding and decoding of RRC establishment causes for emergency, HighPriorityAccess, mt-Access, mo-Signalling, mo-Data. The ASN encoding and decoding of RRC establishment cause mo-voicecall and mo-exceptiondata is not supported and responds with an error "Transfer Syntax Error". For MME to be in compliant with release 13 handset, it needs to handle both the new cause values, and for mo-exepctiondata MME has to maintain the MO Exception Data Counter for Serving PLMN Rate Control purposes. Mo-exceptiondata arrives for NB-IoT RAT type.

mo-exceptiondata counter: MME allows operator to configure the MO Exception Data counter and threshold value for reporting the counter values to S-GW. On configuring, MME maintains UE specific mo\_exceptiondata counter and timestamp in UE subscriber DB and will remain until purge occurs. This data once allocated is retained until the DB associated with the UE is purged. When RRC establishment cause arrives for first time, MME increments the counter by 1 and updates the creation timestamp. On subsequent arrivals, MME will just increment the counter value.

The counter with timestamps is included in create session request message for TAU with MME and SGW change, Modify bearer request for UE triggered service request and Change notification request message when there is a change in the ECGI or TAI. If the counters are already reported, then MME does not send the counters in subsequent modify bearer message of UE Triggered Service Request or Notification of ECGI and/or TAI changes.

## How It Works

### Limitations

This section describes the known limitations for the MME MO Voice Call and MO Exception Data Support feature:

- MME maintains the UE specific mo-exceptiondata counter values in subscriber DB. The data once allocated will be retained until the DB is associated with the UE. On purge timeout the nonreported counter values are lost as the subscriber DB is flushed. If the operators configure mo-exception-data reporting-threshold-value to 1, on receiving RRC establishment cause mo-exceptiondata then MME reports the counter changes to SGW.

## Configuring MO Voice and MO Exception Data Support

This section provides information on the CLI commands to configure exception data reporting.

### Configuring MO Exception Data Reporting Threshold Value

Use the following configuration to configure NBIOT RRC Cause MO exception data reporting threshold value.

```
configure
  call-control-profile profile_name
    nb-iot mo-exception-data reporting-threshold-value value
  remove nb-iot mo-exception-data
end
```

**NOTES:**

- **remove** : Removes the configuration of NBIOT RRC Cause MO exception data.
- **nb-iot** : Enables configuration for NB-IoT Access Type.
- **mo-exception-data**: Configures NBIOT RRC Cause MO Exception Data counter.
- **reporting-threshold-value** *value* : Specifies reporting threshold value. *value* Must be an integer from 1 to 50.

## Monitoring and Troubleshooting

This section provides information regarding show commands available to monitor and troubleshoot the MO Voice and MO Exception Data Support.

### Show Commands and Outputs

**show call-control-profile full all**

The output of this command includes the following fields:

- NBIOT RRC Cause MO Exception Data counter
- NBIOT MO Exception Data counter reporting threshold value







# CHAPTER 74

## NAS Signaling Security

- [Feature Summary and Revision History, on page 671](#)
- [Feature Description, on page 672](#)
- [Configuring NAS Signaling Security, on page 672](#)
- [Monitoring and Troubleshooting, on page 676](#)

### Feature Summary and Revision History

#### Summary Data

Applicable Product(s) or Functional Area	MME
Applicable Platform(s)	<ul style="list-style-type: none"><li>• ASR 5500</li><li>• VPC-DI</li><li>• VPC-SI</li></ul>
Feature Default	Disabled - Configuration Required
Related Changes in This Release	Not Applicable
Related Documentation	<ul style="list-style-type: none"><li>• <i>Command Line Interface Reference</i></li><li>• <i>MME Administration Guide</i></li><li>• <i>Statistics and Counters Reference</i></li></ul>

#### Revision History



**Important** Revision history details are not provided for features introduced before releases 21.2 and N5.1.

Revision Details	Release
The support for EEA3 and EIA3 NAS encryption/integrity algorithms is added.	21.11.3
First introduced.	Pre 21.2

## Feature Description

The Non-Access Stratum (NAS) Signaling Security feature provides integrity protection and encryption of NAS signaling. The MME works as the termination point in the network for ciphering/integrity protection of NAS signaling and handles the security key management.

The NAS security association is between the UE and the MME. The MME uses the NAS Security Mode Command procedure to securely deliver NAS signaling messages between the UE and MME.

The following two standardized algorithms are supported for the radio interface in the LTE network:

- EEA: EPS Encryption Algorithm
- EIA: EPS Integrity Algorithm

The first set of encryption and integrity algorithm, 128-EEA1 and 128-EIA1, is based on the stream cipher SNOW 3G, and inherited from the UMTS network. The second set, 128-EEA2 and 128-EIA2, is based on the block cipher AES (Advanced Encryption Standard). The third set, 128-EEA3 and 128-EIA3, is based on a core stream cipher algorithm named ZUC.

## Configuring NAS Signaling Security

This section describes how to configure the NAS Signaling Security feature.

### Configuring LTE Encryption Algorithm in Call Control Profile

Use the following configuration to configure the precedence for LTE encryption algorithms to use for security procedures in the call control profile.

```
configure
  call-control-profile profile_name
    encryption-algorithm-lte priority1 { 128-eea0 | 128-eea1 | 128-eea2
  | 128-eea3 } [ priority2 { 128-eea0 | 128-eea1 | 128-eea2 | 128-eea3 }
] [ priority3 { 128-eea0 | 128-eea1 | 128-eea2 | 128-eea3 } ] [ priority4
{ 128-eea0 | 128-eea1 | 128-eea2 | 128-eea3 } ]
    remove encryption-algorithm-lte
  end
```

#### NOTES:

- **call-control-profile** *profile\_name*: Creates an instance of a call control profile. *profile\_name* specifies the name of the call control profile as an alphanumeric string of 1 to 64 characters.
- **priority1**: Specifies the preference of encryption algorithm for security procedures on this call control profile as priority 1.

- **priority2**: Specifies the preference of encryption algorithm for security procedures on this call control profile as priority 2.
- **priority3**: Specifies the preference of encryption algorithm for security procedures on this call control profile as priority 3.
- **priority4**: Specifies the preference of encryption algorithm for security procedures on this call control profile as priority 4.
- **128-eea0**: Sets the Null ciphering algorithm (128-EEA0) for LTE encryption as the encryption algorithm for security procedures.
- **128-eea1**: Sets the SNOW 3G synchronous stream ciphering algorithm (128-EEA1) for LTE encryption as the encryption algorithm for security procedures.
- **128-eea2**: Sets the Advance Encryption Standard (AES) ciphering algorithm (128-EEA2) for LTE encryption as the encryption algorithm for security procedures.
- **128-eea3**: Sets the ZUC algorithm (128-EEA3) for LTE encryption as the encryption algorithm for security procedures.
- **remove**: Deletes the priorities definition from the call control profile configuration.
- All the priorities must be set or the definition is invalid. The command can be re-entered to change the priorities without removing the configuration.

## Configuring LTE Encryption Algorithm in MME Service

Use the following configuration to configure the precedence for LTE encryption algorithms to use for security procedures in the MME service.




---

**Caution** When this command is executed, all the existing priority-to-algorithm mappings will be removed and the newly configured ones will be applicable for security procedures.

---




---

**Caution** Configuration of the same algorithm to multiple priorities is prohibited.

---

```

configure
  context context_name
    mme-service service_name
      encryption-algorithm-lte priority1 { 128-eea0 | 128-eea1 | 128-eea2
| 128-eea3 } [ priority2 { 128-eea0 | 128-eea1 | 128-eea2 | 128-eea3 }
] [ priority3 { 128-eea0 | 128-eea1 | 128-eea2 | 128-eea3 } ] [ priority4
{ 128-eea0 | 128-eea1 | 128-eea2 | 128-eea3 } ]
      default encryption-algorithm-lte
    end
  end

```

### NOTES:

- **mme-service** *service\_name*: Creates an MME service or configures an existing MME service in the current context. *service\_name* specifies the name of the MME service as an alphanumeric string of 1 to 63 characters.

- **priority1**: Specifies the preference of encryption algorithm for security procedures on this MME service as priority 1.
- **priority2**: Specifies the preference of encryption algorithm for security procedures on this MME service as priority 2.
- **priority3**: Specifies the preference of encryption algorithm for security procedures on this MME service as priority 3.
- **priority4**: Specifies the preference of encryption algorithm for security procedures on this MME service as priority 4.
- **128-eea0**: Sets the Null ciphering algorithm (128-EEA0) for LTE encryption as the encryption algorithm for security procedures.
- **128-eea1**: Sets the SNOW 3G synchronous stream ciphering algorithm (128-EEA1) for LTE encryption as the encryption algorithm for security procedures.
- **128-eea2**: Sets the Advance Encryption Standard (AES) ciphering algorithm (128-EEA2) for LTE encryption as the encryption algorithm for security procedures.
- **128-eea3**: Sets the ZUC algorithm (128-EEA3) for LTE encryption as the encryption algorithm for security procedures.
- **default**: Sets the default LTE encryption algorithm for security procedures with configured priority value. The lowest value has the highest preference.

The default configuration of LTE encryption algorithm is:

- priority1 with 128-eea0 encryption algorithm
- priority2 with 128-eea1 encryption algorithm
- priority3 with 128-eea2 encryption algorithm

## Configuring LTE Integrity Algorithm in Call Control Profile

Use the following configuration to configure the precedence of LTE integrity algorithms to use for security procedures in the call control profile.

```
configure
  call-control-profile profile_name
    integrity-algorithm-lte priority1 { 128-eia0 | 128-eia1 | 128-eia2
| 128-eia3 } [ priority2 { 128-eia0 | 128-eia1 | 128-eia2 | 128-eia3 } ]
[ priority3 { 128-eia0 | 128-eia1 | 128-eia2 | 128-eia3 } ] [ priority4
{ 128-eia0 | 128-eia1 | 128-eia2 | 128-eia3 } ]
    remove integrity-algorithm-lte
  end
```

### NOTES:

- **call-control-profile** *profile\_name*: Creates an instance of a call control profile. *profile\_name* specifies the name of the call control profile as an alphanumeric string of 1 to 64 characters.
- **priority1**: Specifies the preference of integrity algorithm for security procedures on this call control profile as priority 1.

- **priority2**: Specifies the preference of integrity algorithm for security procedures on this call control profile as priority 2.
- **priority3**: Specifies the preference of integrity algorithm for security procedures on this call control profile as priority 3.
- **priority4**: Specifies the preference of integrity algorithm for security procedures on this call control profile as priority 4.
- **128-eia0**: Sets the Null ciphering algorithm (128-EIA0) for LTE integrity as the integrity algorithm for security procedures.
- **128-eia1**: Sets the SNOW 3G synchronous stream ciphering algorithm (128-EIA1) for LTE integrity as the integrity algorithm for security procedures.
- **128-eia2**: Sets the Advance Encryption Standard (AES) ciphering algorithm (128-EIA2) for LTE integrity as the integrity algorithm for security procedures.
- **128-eia3**: Sets the ZUC algorithm (128-EIA3) for LTE integrity as the integrity algorithm for security procedures.
- **remove**: Deletes the priorities definition from the call control profile configuration.
- All the priorities must be set or the definition is invalid. The command can be re-entered to change the priorities without removing the configuration.

## Configuring LTE Integrity Algorithm in MME Service

Use the following configuration to configure the precedence of LTE integrity algorithms to use for security procedures in the MME service.

By default, the integrity algorithm is enabled on MME service and cannot be disabled.



**Caution** When this command is executed, all the existing priority-to-algorithm mappings will be removed and the newly configured ones will be applicable for security procedures.



**Caution** Configuration of the same algorithm to multiple priorities is prohibited.

### configure

```
context context_name
```

```
  mme-service service_name
```

```
    integrity-algorithm-lte priority1 { 128-eia0 | 128-eia1 | 128-eia2
| 128-eia3 } [ priority2 { 128-eia0 | 128-eia1 | 128-eia2 | 128-eia3 }
] [ priority3 { 128-eia0 | 128-eia1 | 128-eia2 | 128-eia3 } ] [ priority4
{ 128-eia0 | 128-eia1 | 128-eia2 | 128-eia3 } ]
    default integrity-algorithm-lte
  end
```

### NOTES:

- **mme-service** *service\_name*: Creates an MME service or configures an existing MME service in the current context. *service\_name* specifies the name of the MME service as an alphanumeric string of 1 to 63 characters.
- **priority1**: Specifies the preference of integrity algorithm for security procedures on this MME service as priority 1.
- **priority2**: Specifies the preference of integrity algorithm for security procedures on this MME service as priority 2.
- **priority3**: Specifies the preference of integrity algorithm for security procedures on this MME service as priority 3.
- **priority4**: Specifies the preference of integrity algorithm for security procedures on this MME service as priority 4.
- **128-eia0**: Sets the Null ciphering algorithm (128-EIA0) for LTE integrity as the integrity algorithm for security procedures.
- **128-eia1**: Sets the SNOW 3G synchronous stream ciphering algorithm (128-EIA1) for LTE integrity as the integrity algorithm for security procedures.
- **128-eia2**: Sets the Advance Encryption Standard (AES) ciphering algorithm (128-EIA2) for LTE integrity as the integrity algorithm for security procedures.
- **128-eia3**: Sets the ZUC algorithm (128-EIA3) for LTE integrity as the integrity algorithm for security procedures.
- **default**: Removes the preconfigured integrity algorithm and sets the default LTE integrity algorithm for security procedures. The default configuration of LTE integrity algorithm is:

The default configuration of LTE integrity algorithm is:

- priority1 with 128-eia0 integrity algorithm
- priority2 with 128-eia1 integrity algorithm
- priority3 with 128-eia2 integrity algorithm

## Monitoring and Troubleshooting

This section provides information regarding show commands available to monitor and troubleshoot the NAS Signaling Security feature.

### Show Commands and Outputs

This section provides information regarding show commands and their outputs in support of the NAS Signaling Security feature.

#### show call-control-profile full all

The output of this command includes the following fields:

- Order of Preference for Integrity Algorithm is — The integrity algorithm that receives the first priority.

- Order of Preference for Encryption Algorithm is — The encryption algorithm that receives the first priority.
- Order of Preference for Gprs Ciphering Algorithm is — The GPRS ciphering algorithm that receives the first priority.
- Order of Preference for LTE(MME) Encryption Algorithm is — Displays the configured priorities and the LTE encryption algorithm applied for security procedures.
- Order of Preference for LTE(MME) Integrity Algorithm is — Displays the configured priorities and the LTE integrity algorithm applied for security procedures.

## show mme-service all

The output of this command includes the following fields:

- Encryption Algorithms — Displays the priority and the encryption algorithm applied for security procedures through the MME service.
  - **Priority:** The priority set for the applied encryption algorithm. The least value has the highest preference.  
In releases prior to 21.11.3: Possible priority values are between 1 to 3.  
In 21.11.3 and later releases: Possible priority values are between 1 to 4.
  - **Algorithm:** The applied encryption algorithm. Possible algorithms are:
    - **128-eea0:** Null ciphering algorithm (128-EEA0) for LTE encryption as the encryption algorithm for security procedures. This is the default encryption algorithm applicable for security procedures.
    - **128-eea1:** SNOW 3G synchronous stream ciphering algorithm (128-EEA1) for LTE encryption as the encryption algorithm for security procedures.
    - **128-eea2:** Advance Encryption Standard (AES) ciphering algorithm (128-EEA2) for LTE encryption as the encryption algorithm for security procedures.
    - **128-eea3:** ZUC algorithm (128-EEA3) for LTE encryption as the encryption algorithm for security procedures.
- Integrity Algorithms — Displays the priority and the integrity algorithm applied for security procedures through the MME service.
  - **Priority:** The priority set for the applied integrity algorithm. The least value has the highest preference.  
In releases prior to 21.11.3: Possible priority values are between 1 to 3.  
In 21.11.3 and later releases: Possible priority values are between 1 to 4.
  - **Algorithm:** The applied encryption algorithm. Possible algorithms are:
    - **128-eia0:** Null ciphering algorithm (128-EIA0) for LTE integrity as the integrity algorithm for security procedures.
    - **128-eia1:** SNOW 3G synchronous stream ciphering algorithm (128-EIA1) for LTE integrity as the integrity algorithm for security procedures.

- **128-eia2**: Advance Encryption Standard (AES) ciphering algorithm (128-EIA2) for LTE encryption as the integrity algorithm for security procedures. This is the default encryption algorithm applicable for security procedures.
- **128-eia3**: ZUC algorithm (128-EIA3) for LTE integrity as the integrity algorithm for security procedures.





# CHAPTER 75

## NB-IoT and Low Power Session Counters

This chapter describes the following topics:

- [Feature Summary and Revision History, on page 679](#)
- [Feature Description, on page 680](#)
- [Monitoring and Troubleshooting, on page 680](#)

### Feature Summary and Revision History

#### Summary Data

Applicable Product(s) or Functional Area	C-SGN, MME
Applicable Platform(s)	<ul style="list-style-type: none"> <li>• ASR 5500</li> <li>• VPC-DI</li> <li>• VPC-SI</li> </ul>
Feature Default	Enabled - Always-on
Related Changes in This Release	Not applicable
Related Documentation	<ul style="list-style-type: none"> <li>• <i>MME Administration Guide</i></li> <li>• <i>Statistics and Counters Reference</i></li> <li>• <i>Ultra IoT C-SGN Administration Guide</i></li> </ul>

#### Revision History

Revision Details	Release
First introduced.	21.6

## Feature Description

On MME and C-SGN, new counters are added to count the number of low power subscribers when RAT type is E-UTRAN or NB-IoT. The counters will increment by 1 for each subscriber if eDRX or PSM or both are received in Attach or TAU Request.

The **show mme-service statistics** command and MME schema are enhanced to support the new counters and and new bulk statistics respectively.

## Monitoring and Troubleshooting

This section provides information on the bulk statistics and show commands available to support NB-IoT and Low Power Session RAT type.

### Show Commands and/or Outputs

This section provides information regarding show commands and/or their outputs.

#### show mme-service statistics

The following new fields are added to the output of this command to display the number of low power subscribers attached when RAT type is NBIOT and E-UTRAN.

- Low power Subscribers:
  - NB-IoT Attached Calls — The current total number of attached low power subscribers which are operating in NB-IoT.
  - EUTRAN Attached Calls — The current total number of attached low power subscribers which are operating in E-UTRAN.

### Bulk Statistics

The following bulk statistics are added in the MME schema to display the number of low power subscribers attached when RAT type is NB-IOT and E-UTRAN.

Bulk Statistics	Description
attached-lp-nbiot-subscriber	The current total number of attached low power subscribers which are operating in NB-IoT.
attached-lp-eutran-subscriber	The current total number of attached low power subscribers which are operating in E-UTRAN.



# CHAPTER 76

## 5GS Interworking using N26 Interface Support

This chapter describes the following topics:

- [Feature Summary and Revision History](#) , on page 681
- [Feature Description](#), on page 682
- [License Requirements](#), on page 684
- [How it Works](#), on page 684
- [Configuring N26 Interface for MME](#), on page 701
- [Monitoring and Troubleshooting](#), on page 705

### Feature Summary and Revision History

#### Summary Data

Applicable Product(s) or Functional Area	MME
Applicable Platform(s)	<ul style="list-style-type: none"><li>• ASR 5500</li><li>• VPC-DI</li><li>• VPC-SI</li></ul>
Feature Default	Enabled-Always-On
Related Changes in This Release	Not Applicable
Related Documentation	<ul style="list-style-type: none"><li>• <i>Command Line Interface Reference</i></li><li>• <i>MME Administration Guide</i></li></ul>

#### Revision History

Revision Details	Release
CLI configuration support is added for enabling the reject EPS to 5Gs procedure without n1 mode support.	2024.02.0

Revision Details	Release
Support is introduced for dynamic selection mechanism to select SGW-C+SMF through s11 interface.	21.28.m7
Support is introduced for dynamic selection mechanism to select PGW-C+SMF and peer-AMF.	21.25
The N26 interface for interworking with 5GS functionality is fully qualified in this release.	21.20.3
MME supports N26 interface between AMF in 5GC and MME in Evolved Packet Core (EPC) to provide seamless session continuity for single registration mode UE. <b>Important</b> This feature is not fully qualified in this release, and is available only for testing purposes. For more information, contact your Cisco Account Representative.	21.20
First introduced. This release supports N26 Interface for interworking with 5GS functionality. <b>Important</b> This feature is not fully qualified in this release, and is available only for testing purposes. For more information, contact your Cisco Account Representative.	21.19

## Feature Description

MME supports 5GS interworking with N26 interface in compliance with 3GPP 5GS standards. Interworking procedures using the N26 interface, enables the exchange of Mobility Management (MM) and Session Management (SM) states between the source and target network.

5GS interworking with the N26 interface, the User Equipment (UE) operates in the single registration mode. MME supports the N26 interface between Access and Mobility Management Function (AMF) in 5GC and MME in EPC to provide seamless session continuity (for example, for voice services) for single registration mode UE. For the 3GPP access, the network keeps only one valid MM state for the UE either in the AMF or MME.

MME uses either the static or dynamic mechanism to select PGW-C+SMF and peer-AMF.

MME supports selection of combined SGW-C/SMF on the base of DNS S-NAPTR queries using the **3gpp-x-3gpp-sgw:x-s11** service parameter for UEs supporting N1 mode and optionally matching an UE Usage type.

MME supports the following interworking procedures with the N26 interface:

- Attach
- EPS to 5GS Mobility Registration
- 5GS to EPS Idle Mode Mobility
- 5GS to EPS Handover
- EPS to 5GS Handover

- 5GS to EPS Handover Cancel
- EPS to 5GS Handover Cancel

### Supported IEs and AVPs

MME supports the following IEs for the 5GS interworking feature:

#### S1AP (eNodeB) Interface:

- **GUMMEI Type**—The S1-AP interface supports **mappedFrom5G** in the Globally Unique Mobility Management Entity Identifier (GUMMEI) type IE. If the UE was previously registered in 5GS, the UE provides a GUMMEI in Access Stratum signaling mapped from the 5G-GUTI and is indicated as **Mapped from 5G-GUTI**.
- **Handover Type**—This indicates the type of handover that was triggered in the source side. The Handover type IE currently supports **EPSto5GS** and **5GStoEPS** type.
- **Handover Restriction List**—This supports **Core Network Type Restrictions**, **NR Restriction in 5GS** and **Last NG-RAN PLMN Identity**.




---

**Note** MME currently includes only one serving PLMN in Core Network Restrictions Type IE.

---

- **Target ID**—This supports **Global RAN Node ID** and **Selected TAI(5GS TAI)**.




---

**Note** Global ng-eNB under Global RAN Node ID is currently not supported.

---

#### NAS (UE) Interface

- **UE Network Capability (N1-mode)**—MME supports N1-mode handling in the UE Network Capability IE. For UE that supports N1 mode, the UE sets the N1 mode bit to **N1 mode supported** in the UE network capability IE of the ATTACH REQUEST/TRACKING AREA UPDATE REQUEST message.
- **UE Status IE**—MME supports UE Status IE in the ATTACH REQUEST/TRACKING AREA UPDATE REQUEST message and provides the network with information related to the current UE registration status that is used for interworking with 5GS.
- **EPS Network Feature Support (IWK N26)**—MME supports an IWK N26 indicator to specify whether interworking without N26 interface is supported or not in ATTACH ACCEPT/TAU ACCEPT message.

#### S6a (HSS) Interface

- **Interworking-5GS-Indicator AVP**—MME supports Interworking-5GS-Indicator to indicate whether the interworking between 5GS and EPS is subscribed or not subscribed for the APN.
- **Core-Network-Restrictions AVP**—MME supports Core-Network-Restrictions to indicate the types of Core Network that are disallowed for a user.

- **Access-Restriction-Data AVP** — MME supports bit 10 NR in 5GS Not Allowed to check whether NR is 5GS is Allowed or Not Allowed. The Access-Restriction-Data AVP is of type Unsigned32 type and contains a bit mask where each bit when set to 1 indicates a restriction.

### S11 (SGW) Interface:

- **Indication Flag** — MME supports 5GSIWKI (5GS Interworking Indication) and REPREFI (Return Preferred Indication) flags.

### DNS Mechanism to Select SGW-C+SMF

MME supports the SGW-C+SMF selection for Nonemergency PDN connection based on the following conditions:

- UE N1 Mode capability (UE Network Capability)
- (Optional) Matching a UE Usage type

S-NAPTR query is performed to identify the SGW-C+SMF based on the below S-NAPTR procedure with service parameters:

- MME considers the **n1-mode 5gs-interworking-with-n26 sgw-selection s11** CLI when forming the service parameter in the SGW-C+SMF DNS S-NAPTR requests.

If the UE is in N1 mode and CLI is configured with S11 and no UE usage type is specified, then, MME sends the DNS S-NAPTR query using the **x-3gpp-sgw:x-s11** service parameter to select the SGW-C+SMF.

- If UE is in N1 mode and CLI is configured with S11 and UUT, MME matches the UE's UUT with CLI UUTs. Then MME, sends DNS S-NAPTR query using the **x-3gpp-sgw:x-s11** service parameter. Else, sends the DNS S-NAPTR query using the **x-3gpp-sgw:x-s11** service parameter to select the S-GW.

```
Example: n1-mode 5gs-interworking-with-n26 sgw-selection s11 ue-usage-type 128 129 130
131 132 133 134 135
```

The S-NAPTR procedure logically displays a list of host names each with a service, protocol, port, and a list of IPv4 and IPv6 addresses. From the candidate list, MME selects the best node based on the Topology, Collocation, Order, or Weight.

## License Requirements

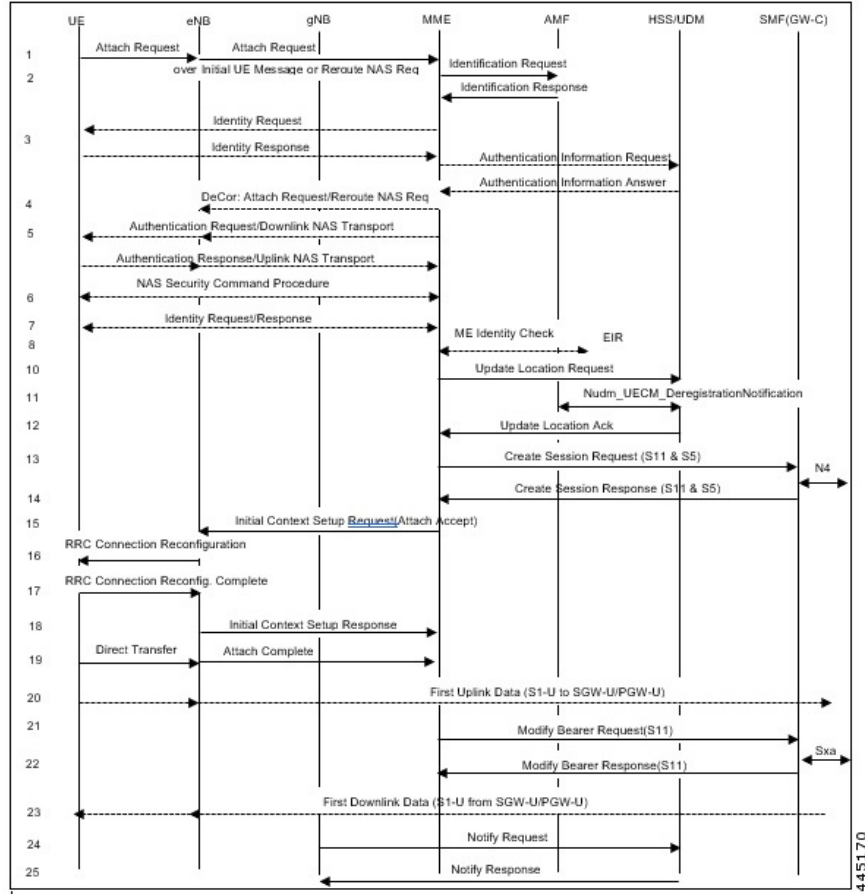
MME 5G Interworking and N26 Interface are a licensed Cisco feature that require a separate license. Contact your Cisco account representative for detailed information on specific licensing requirements. For information on installing and verifying licenses, refer to the *Managing License Keys* section of *Software Management Operations*.

## How it Works

This section describes the call flow procedures that are related to 5GS interworking with the N26 interface.

The following call flow describes the working of 5Gs to an EPS attach procedure.

Figure 66: E-UTRAN Initial Attach Call Flow



**E-UTRAN Initial Attach Procedure**

The following table describes the 5GS to EPS attach procedure.

Table 50: E-UTRAN Initial Attach Procedure

Step	Description
1	Attach Request is carried over Initial UE Message with the following conditions: <ul style="list-style-type: none"> <li>• UE includes N1-mode capability in the <b>UE Network Capability IE</b>.</li> <li>• UE includes GUMMEI in the S1-AP message and indicates that GUMMEI is Mapped from 5G-GUTI.</li> <li>• UE includes a GUTI, mapped from 5G-GUTI into the EPS mobile identity IE, includes old GUTI type IE with GUTI type set to <b>native GUTI</b> and includes the UE status IE with a 5GMM registration status set to <b>UE is in 5GMM-DEREGISTERED state</b>.</li> </ul>

Step	Description
2	<p>MME constructs the 5G-GUTI from the received GUTI IE according to the mapping relationship between GUTI and 5G-GUTI defined in 3GPP TS 23.003. MME uses the constructed 5G GUTI to determine the peer AMF address based on DNS or local Static AMF GUAMI configuration. If MME is unable to find the peer AMF address, the new MME sends an Identity Request to the UE to request the IMSI. The UE responds with Identity Response (IMSI).</p> <p>During the 5GS to EPS Attach procedure using 5G-mapped GUTI:</p> <ul style="list-style-type: none"> <li>• DNS selection happens for identifying peer AMF and for the selection of PGW-C+SMF and SGW-C/SMF.</li> <li>• When there is an Initial Attach using IMSI, MME only performs the DNS procedure to select the PGW-C+SMF &amp; SGW-C/SMF (as described in DNS mechanism to select SGW-C+SMF).</li> <li>• In case of DNS selection failure or not Set for any, the MME would fall back to the static selection as per local configuration.</li> </ul>
3	MME sends an Identification Request message to the selected peer AMF.
4	<p>The Access and Mobility Management Function (AMF) responds with Identification Response message</p> <p><b>Note</b> MME sends Identification Request to the peer AMF irrespective of the "n1-mode" configuration in CC profile (or) MME Service and the feature support check is performed after receiving "Identification Response" message from peer AMF. If the feature support is disabled (or) the UE is unknown in the old AMF, MME initiates the Identity procedure with UE.</p>
5	MME sends Update Location Request to HSS and will not set the Dual-registration 5G-indication in ULR-Flag.
6	<p>MME processes and handles the below AVP in the ULA from HSS. MME uses the received information for Mobility restrictions and PGW-C+SMF gateway selection:</p> <ul style="list-style-type: none"> <li>• Interworking-5GS-Indicator</li> <li>• Core-Network-Restriction</li> <li>• Access-Restriction-Data (NR in 5GS Not Allowed) AVP</li> </ul>
7	<p>MME selects PGW-C+SMF based on UE Network capability and mobility restrictions based on the following mechanisms:</p> <ul style="list-style-type: none"> <li>• Static configuration</li> <li>• Dynamic DNS configuration</li> </ul>
8	MME sets the <b>5GS Interworking Indication</b> in Indication flags in the Create Session Request and sends to the selected P-GW-C+SMF gateway. MME does not set the Indication bit if Standalone P-GW-C is selected.

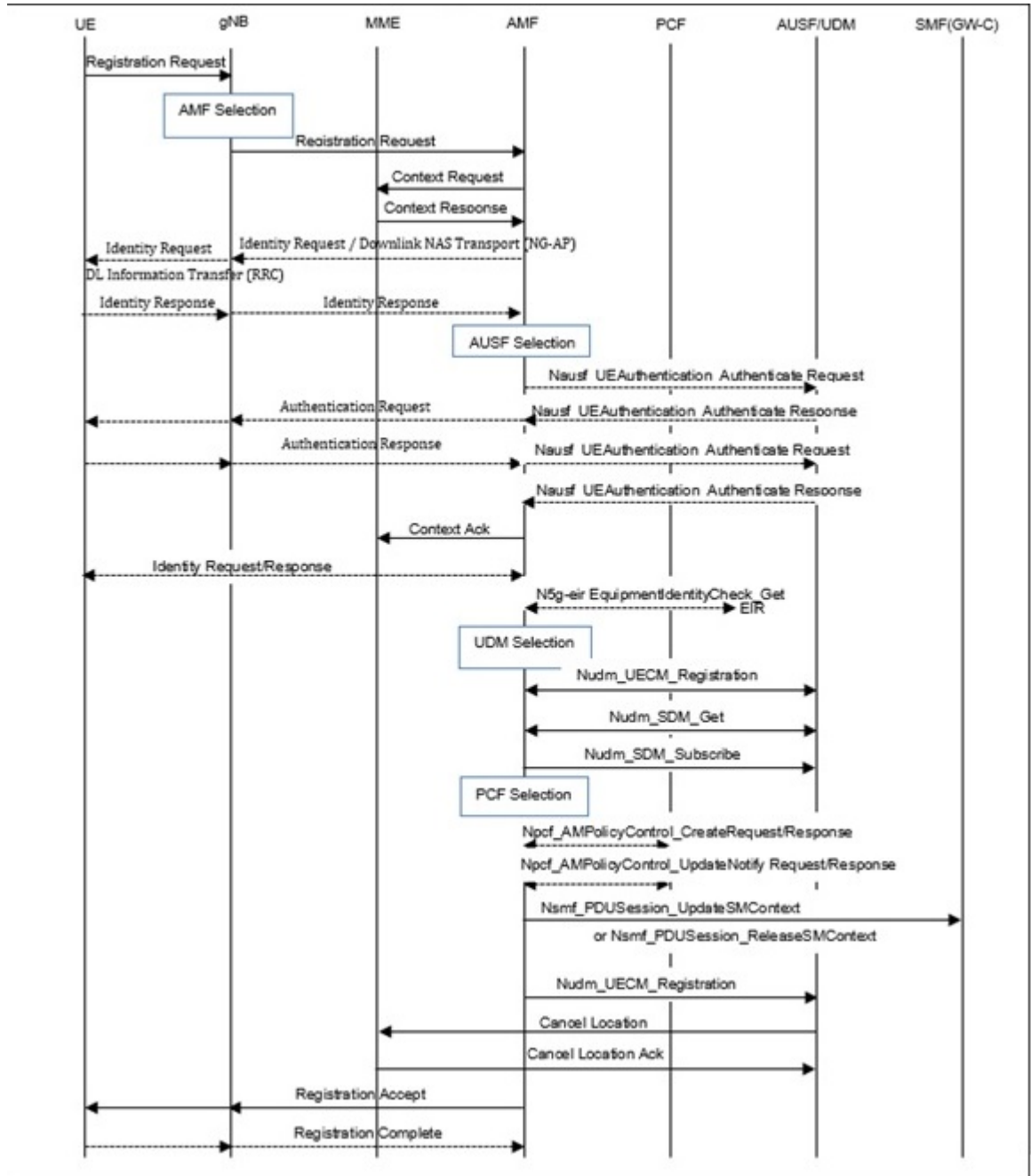


Step	Description
9	If the MME receives ePCO from the UE during the Initial Attach or UE requested PDN Connectivity procedures, the MME forwards the ePCO IE to the SGW, if the MME supports ePCO. The SGW shall also forward it to the PGW if the SGW supports ePCO.
10	If UE supports N1 mode in UE network capability, and the Interworking-5GS-Indicator is set to be subscribed, MME sets IWKN26 bit to <b>Interworking without N26 interface not supported</b> in the Attach Accept message.

### EPS to 5GS Mobility Registration Call Flow

The following call flow describes the registration procedure from EPS to 5GS Mobility when, N26 interface is supported for idle and connected states.

Figure 67: EPS to 5GS Mobility Registration Call Flow



449022

The following table describes the procedure to register from EPS to 5GS.

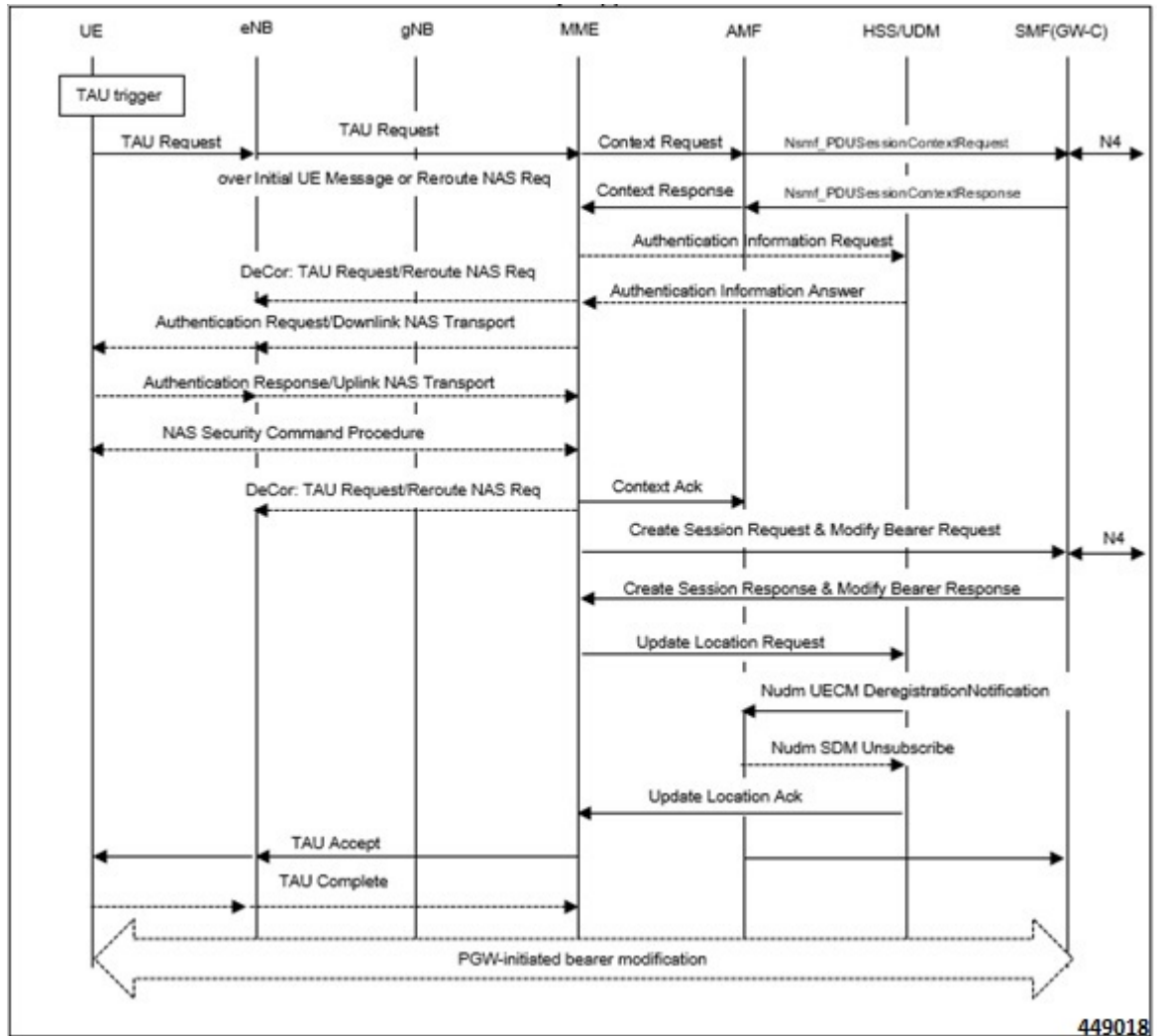
Table 51: EPS to 5GS Mobility Registration Procedure

Step	Description
1	<p>For IDLE mode mobility, the target AMF derives the MME address and 4G GUTI from the old 5G-GUTI and sends Context Request to MME including EPS GUTI mapped from 5G-GUTI and the TAU request message according to TS 23.401. The MME validates the TAU message.</p> <p><b>Note</b></p> <ul style="list-style-type: none"> <li>• MME supports FTEID Interface types <b>S10/N26 MME GTP-C interface (12)</b> and <b>N26 AMF GTP-C interface (40)</b> received in the <b>Context Request</b> message from peer AMF.</li> <li>• MME would use the RAT type NR in the <b>Context Request</b> message to determine if the peer is AMF.</li> </ul>
2	<p>MME includes EPS MM Context, IMSI, ME Identity, UE EPS security context, UE Network Capability, and EPS Bearer context(s) in the Context Response message and sends to the peer AMF. The MME EPS Bearer context includes for each EPS PDN connection the IP address and FQDN for the S5/S8 interface of the PGW-C+SMF and APN.</p> <p>MME also includes in the Context Response new information Return Preferred. Return Preferred is an indication by the MME of a preferred return of the UE to the last used EPS PLMN at a later access change to an EPS shared network. Based on the Return Preferred indication, the AMF stores the last used EPS PLMN ID in UE Context.</p> <p>MME sends Context Response failure if feature support is disabled, Unknown RAT type other than NR is received (or) mobility is restricted.</p>
3	The target AMF sends Context Acknowledge (Serving GW change indication) to MME.
4	<p>HSS+UDM cancels the location of the UE in the MME.</p> <p>During EPS to 5GS Mobility registration (TAU), when you configure the <b>release-s1-s11-on-timer-expiry-upon-clr</b> CLI, and when MME receives CLR with MME UPDATE PROCEDURE, then MME waits for the <b>ho-resource-release-timeout</b> to expire and releases S1 and S11 resources. If it is not configured, and when MME receives CLR with MME UPDATE PROCEDURE, then MME instantly releases S1 and S11 resources.</p>

### 5GS to EPS Idle Mode Mobility Call Flow

The following call flow describes the idle and connected states.

Figure 68: 5GS to EPS Idle Mode Mobility Call Flow



UE performs the Tracking Area Update (TAU) procedure in E-UTRA/EPS when it moves from NG-RAN/5GS to E-UTRAN/EPS coverage area.

During 5GS to EPS Idle Mobility using 5G-Mapped GUTI, DNS selection happens to select SGW-C+SMF nodes as described in the DNS mechanism to select SGW-C+SMF.

The procedure involves a Tracking Area Update to EPC and setup of default EPS bearer and dedicated bearers in EPC and reactivation, if necessary.

Table 52: 5GS to EPS Idle Mode Mobility Procedure

Step	Description
1	<p>Tracking Area Update Request is carried over Initial UE Message with the following conditions:</p> <ul style="list-style-type: none"> <li>• UE includes N1-mode capability in the <b>UE Network Capability</b> IE.</li> <li>• UE includes GUMMEI in the S1-AP message and indicates that GUMMEI is Mapped from 5G-GUTI.</li> <li>• UE includes a GUTI, mapped from 5G-GUTI into the EPS mobile identity IE, includes old GUTI type IE with GUTI type set to <b>native GUTI</b> and includes the UE status IE with 5GMM registration status set to <b>UE is in 5GMM-REGISTERED</b> state.</li> </ul>
2	<p>MME constructs the 5G-GUTI from the received GUTI IE according to the mapping relationship between GUTI and 5G-GUTI defined in 3GPP TS 23.003. MME uses the constructed 5G GUTI to determine the peer AMF address based on DNS or local Static AMF GUAMI configuration. If the MME is unable to find the peer AMF address, the new MME rejects the TAU Request.</p>
3	<p>MME sends a Context Request message to the selected peer AMF.</p>
4	<p>The AMF responds with a Context Response message carrying mapped MM context (including mapped security context), UUT, Return preferred and SM EPS UE Context (default and dedicated GBR bearers) to the MME. If the verification of the integrity protection fails, the AMF returns an appropriate error cause. Return preferred is an optional indication by the AMF of a preferred return of the UE to the 5GS PLMN at a later access change to a 5GS shared network.</p> <p>The PDN GW Address and TEID(s) is part of the EPS Bearer Context for PDN connection in Context Response. However, SGW S11 IP address and TEID for Control Plane is not provided by AMF.</p> <p><b>Note</b></p> <ul style="list-style-type: none"> <li>• MME supports <b>S10/N26 MME GTP-C</b> and <b>N26 AMF GTP-C</b> FTEID Interface types from peer AMF.</li> <li>• MME sends Context Request to the peer AMF irrespective of the <b>n1 mode</b> configuration in CC profile (or) MME Service and the feature support check is performed after receiving <b>Context Response</b> message from peer AMF. If the feature support is disabled, MME rejects the TAU Request and sends the Context Acknowledgment failure.</li> </ul>
5	<p>MME selects new SGW-C and sends Create Session Request toward the SGW. MME sets the <b>5GS Interworking Indication</b> in Indication Flags in the Create Session Request message.</p>
6	<p>MME sends Update Location Request to HSS and will not set the Dual-registration 5G-indication in ULR-Flag.</p>

Step	Description
7	<p>MME processes and handles the following AVPs in the ULA from HSS.</p> <ul style="list-style-type: none"> <li>• Interworking-5GS-Indicator</li> <li>• Core-Network-Restriction</li> <li>• Access-Restriction-Data (NR in 5GS Not Allowed) AVP.</li> </ul> <p>MME uses the received information for Mobility restrictions and PGW-C+SMF gateway selection.</p>
8	<p>If UE supports <b>n1 mode</b> in UE network capability, and the Interworking-5GS-Indicator is set to be subscribed, MME sets the IWKN26 bit to “Interworking without N26 interface not supported” in TAU Accept.</p>

#### Use Cases:

#### 5GS to EPS Idle Mode Mobility procedure with N1-Mode=Not supported:

In step 1 of [Table 52: 5GS to EPS Idle Mode Mobility Procedure](#), UE can disable n1 mode in TAU request to avoid unintentional handover to 5GC. Few scenarios in which UE can disable n1 mode are:

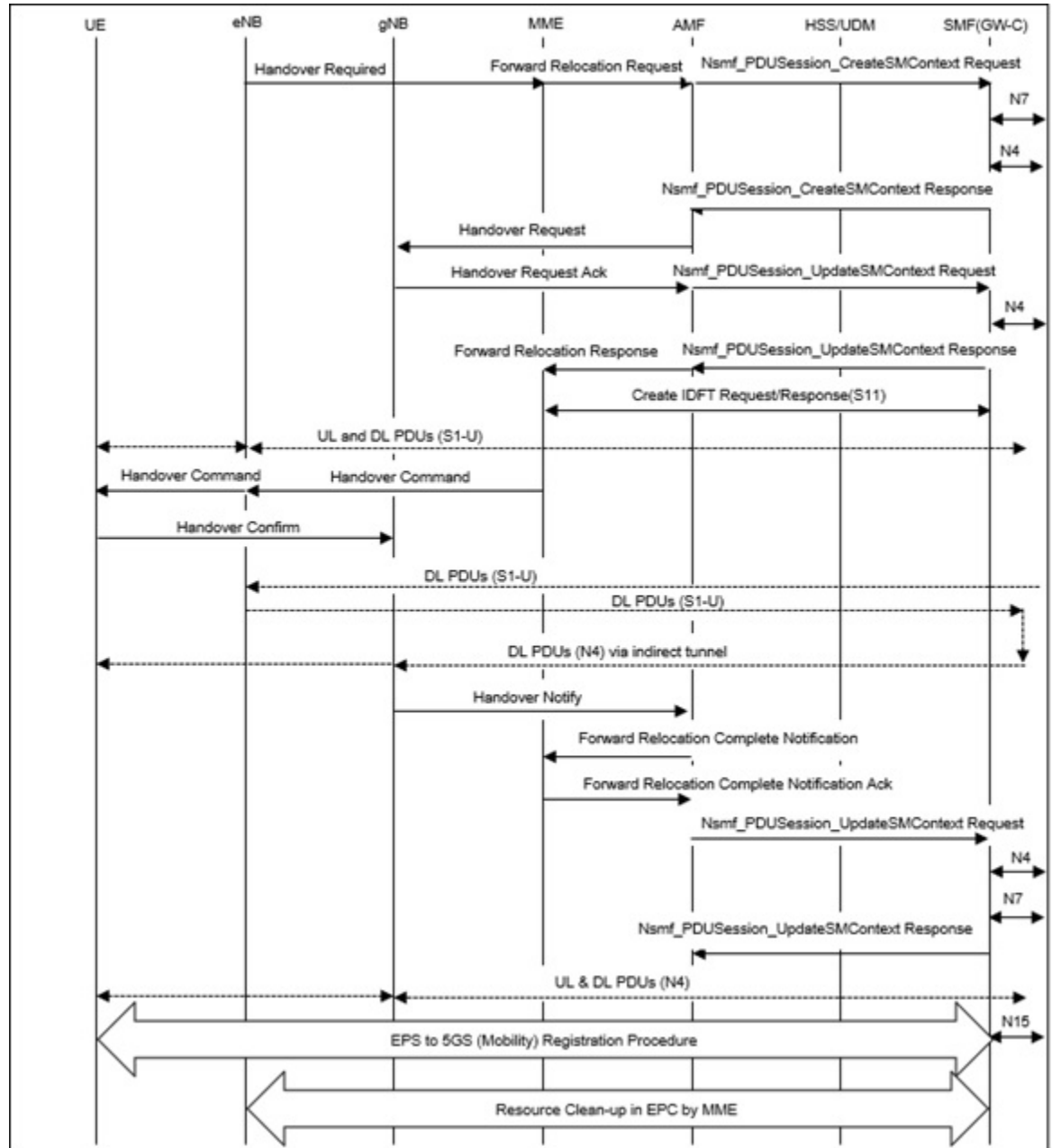
- Emergency service fallback to setup call through EPS
- Nonavailability of IMS voice over 3GPP access
- UE ‘s usage setting is voice-centric

MME considers AMF as a peer if the N1-Mode-Reg bit is set to **5GMM-REGISTERED** in **UE Status IE** and supports TAU with **N1-Mode=Not Supported**.

#### EPS to 5GS Handover Call Flow

The following call flow describes the EPS to 5GS handover using N26 interface.

Figure 69: EPS to 5GS Handover Call Flow



The following table describes the handover procedure from EPS to 5GS using the N26 interface. 5GS Mobility Registration Procedure is performed, and steps from Context Request to Context Acknowledgment are skipped during the handover to 5GS.

Table 53: EPS to 5GS Handover Procedure

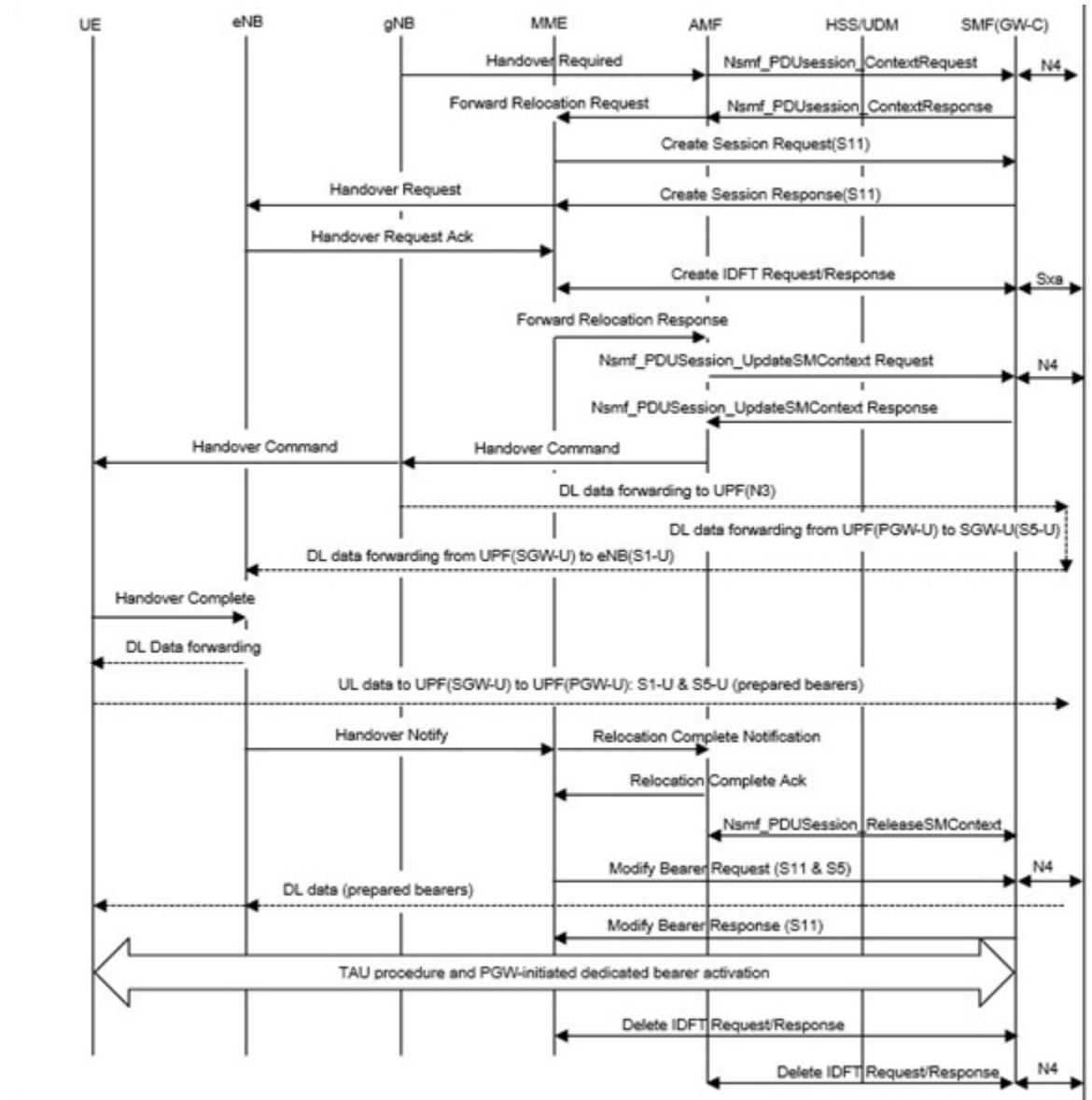
Step	Description
1	MME receives Handover Required from eNB with the Handover type set <b>EPSto5GS</b> , Target ID with Global gNB ID and selected 5GS TAI information. <b>Note</b> Global ng-eNB is currently not supported.
2	MME uses the 5GS TAI information to determine the peer AMF address based on DNS or local Static AMF TAI configuration. If MME is unable to find the peer AMF address or the feature is disabled, MME sends Handover preparation failure to eNB.
3	MME sends Forward Relocation Request message to the selected peer AMF with the following information: <ul style="list-style-type: none"> <li>• MME includes EPS MM Context, IMSI, ME Identity, UE security context, UE Network Capability, and EPS Bearer context(s) in the Forward Relocation Request message. The MME EPS Bearer context(s) includes for each EPS PDN connection the IP address and FQDN for the S5/S8 interface of the PGW-C+SMF and APN, and for each EPS bearer the IP address and CN Tunnel Info at the UPF+PGW-U for uplink traffic.</li> <li>• MME includes an additional optional parameter Return preferred; Return that is preferred is an optional indication that is provided by the MME to indicate a preferred return of the UE to the last used EPS PLMN at a later access change to an EPS shared network. Based on the Return Preferred indication, the AMF stores the last used EPS PLMN ID in the UE Context.</li> </ul>
4	MME receives Forward Relocation Response (Cause, Target to Source Transparent Container, S-GW change indication, CN Tunnel Info for data forwarding, EPS Bearer Setup List, AMF Tunnel Endpoint Identifier for Control Plane, Addresses and TEIDs) from AMF. The EPS Bearer Setup list is the combination of EPS Bearer Setup list from different P-GW-C+SMF(s). <b>Note</b> MME supports <b>S10/N26 MME GTP-C</b> and <b>N26 AMF GTP-C FTEID</b> Interface types from peer AMF.
5	The source MME sends Create Indirect Data Forwarding Tunnel Request (addresses and TEIDs for forwarding) to the S-GW. If the S-GW is relocated, it includes the tunnel identifier to the target S-GW. The S-GW responds with a Create Indirect Data Forwarding Tunnel Response (S-GW addresses and TEIDs for forwarding) message to the source MME.
6	The source MME sends a Handover Command (Target to Source transparent container, Bearers subject to forwarding, Bearers to Release) message to the source eNodeB. The Bearers subject to forwarding includes a list of addresses and TEIDs allocated for forwarding. The Bearers to Release include the list of bearers to be released.
7	The NG-RAN notifies the AMF that UE is handover over to NG-RAN and AMF sends Forward Relocation Complete Notification message to the source MME. The source MME in response sends a Forward Relocation Complete Acknowledge message to the target AMF.



### 5GS to EPS Handover Call Flow

The following call flow describes the 5GS to EPS handover using N26 interface.

Figure 70: 5GS to EPS Handover Call Flow



449020

The following table describes the handover procedure from 5GS to EPS using N26 interface.

Table 54: 5GS to EPS Handover Procedure

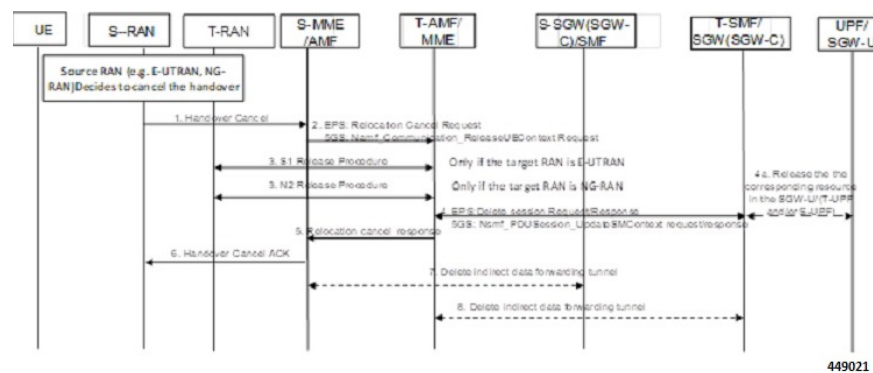
Step	Description
1	<p>MME receives Forward Relocation Request message from AMF. AMF shall include <b>Return preferred Indication</b> to indicate preferred return of the UE to the 5GS PLMN at a later access change to a 5GS shared network. AMF includes reserved S-GW address and TEID for both the control plane or EPS bearers in the message.</p> <p><b>Note</b></p> <ul style="list-style-type: none"> <li>• MME supports FTEID Interface types <b>S10/N26 MME GTP-C interface (12)</b> and <b>N26 AMF GTP-C interface (40)</b> received in the <b>Context Request</b> message from peer AMF.</li> <li>• MME would use the SGW-C FTEID reserved <b>TEID</b> values in the Forward Relocation Request message to determine if the peer is AMF.</li> <li>• If the feature support is disabled, the MME sends Forward Relocation Response failure to peer AMF with cause <b>Service not supported</b> .</li> </ul>
2	MME selects a new S-GW-C and would send Create Session Request to S-GW and receives Create Session Response from S-GW.
3	<p>MME sends Handover Request message towards eNB with Handover type “5GStoEPS” and includes the Handover Restriction list for eNodeB functions.</p> <p>During 5GS to EPS connected mode handover the DNS selection happens to select SGW-C+SMF nodes as described in the DNS mechanism to select SGW-C+SMF.</p>
4	The target eNodeB sends a Handover Request Acknowledge (EPS Bearer Setup list, EPS Bearers failed to set up list Target to Source transparent container) message to the target MME. The EPS Bearer Setup list includes a list of addresses and TEIDs allocated at the target eNodeB for downlink traffic on S1-U reference point (one TEID per bearer) and addresses and TEIDs for receiving forwarded data if necessary.
5	IDFT enabled MME initiates create IDFT Request message to SMF/GW-C and receives create IDFT response messages from SMF/GW-C.
6	<p>The target MME sends a Forward Relocation Response (Cause, Target to Source transparent container, Serving GW change indication, EPS Bearer Setup List, Addresses, and TEIDs) message to the source MME.</p> <p><b>Note</b> For indirect forwarding, this message includes S-GW Address and TEIDs for indirect forwarding (source or target). S-GW change indication indicates that a new S-GW has been selected.</p>
7	The target eNodeB sends a Handover Notify (TAI+ECGI, Local Home Network ID) message to the target MME.
8	The target MME sends a Relocation Complete Notification message to the source AMF. The AMF acknowledges MME with Relocation Complete Acknowledgment message.
9	MME sends Modify bearer request to S-GW and receives Modify bearer response from S-GW.
10	UE initiates the Connected mode Tracking Area Update procedure toward MME.

Step	Description
11	If PCC is deployed, the PCF provides the previously removed PCC rules to the P-GW-C+SMF, which triggers the P-GW-C+SMF to initiate dedicated bearer activation procedure and the dedicated Bearer gets activated at MME.

## Handover Cancellation Procedure

This section describes Handover cancellation call flow and procedures from EPS to 5GS and from 5GS to EPS.

Figure 71: EPS to 5GS Handover Cancel Call Flow



### EPS to 5GS Handover Cancel Procedure

1. The source eNB decides to cancel the previously requested relocation of Handover resources. This may be due to not enough accepted bearers, UE returned to source cell or any other reason.
2. MME terminates the relocation towards the AMF by sending a Relocation Cancel Request message to AMF. MME also resumes operation on the resources in the source side.
3. The AMF acknowledges the release of all resources on the target side by returning a Relocation Cancel Response (Cause) message to the source MME.
4. If indirect forwarding tunnel is setup during handover preparation, then cancellation of handover triggers the MME to send a Delete Indirect Data Forwarding Tunnel Request message to the S-GW to release the temporary resources used for indirect forwarding.

### 5GS to EPS Handover Cancel Procedure

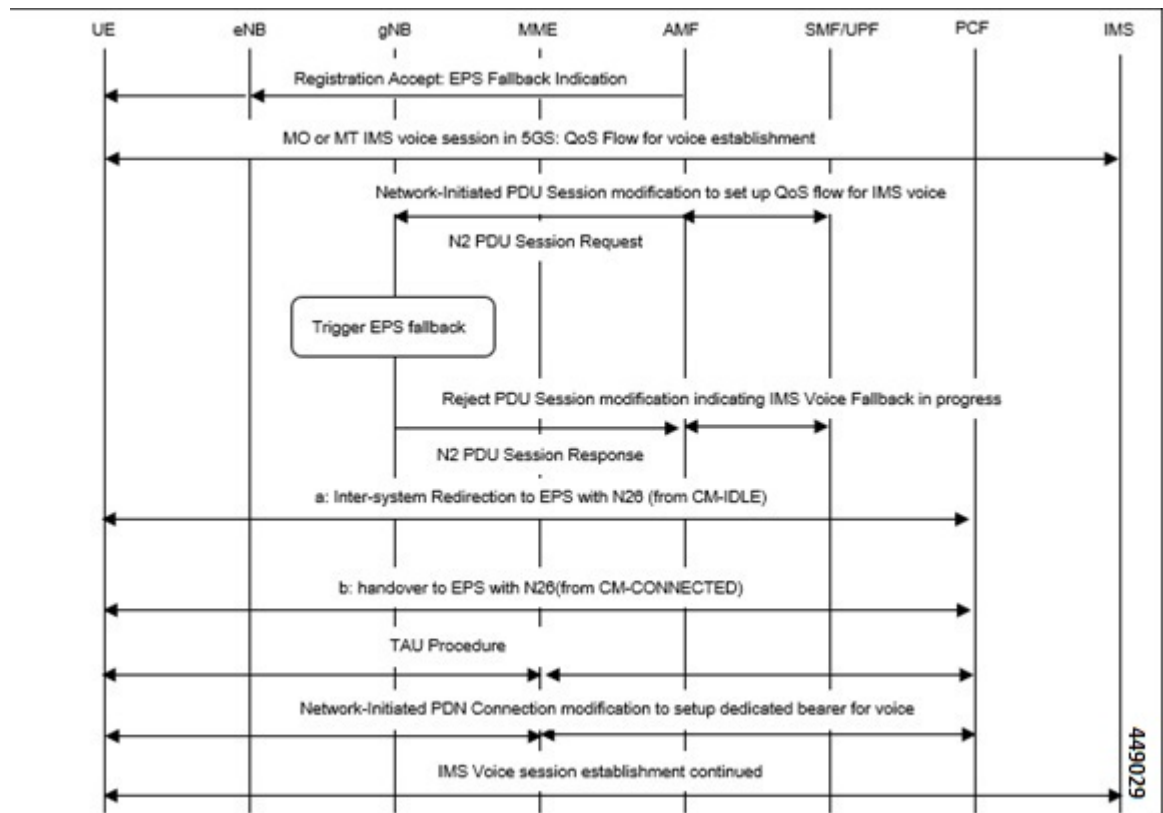
1. MME receives **Relocation Cancel Request** from AMF.
2. MME triggers release of resources towards target RAN node. The target RAN node releases the RAN resource allocated for the handover.
3. MME sends the **Delete session request** (IMSI, Relocation Cancel Indication) to the S-GW/S-GW-C. Based on the Relocation Cancel Indication, MME deletes the session resources established during handover preparation phase in S-GW (S-GW-C and S-GW-U).
4. MME sends **Relocation Cancel Response** towards the AMF.

5. AMF responds with handover cancel ACK towards the source RAN.
6. If indirect forwarding tunnel is setup during handover preparation phase, then cancellation of handover triggers MME to release the temporary resources used for indirect forwarding.

## EPS Fallback for IMS Voice Support

MME supports EPS fallback for IMS voice according to 3GPP 23.502.

Figure 72: EPS Fallback for IMS Voice



## Combined PGW-C and SMF Selection Procedure

MME supports DNS and Static PGW-C/SMF combined Gateway selection. You can configure PGW-C+SMF in MME Service and in APN profile configuration commands for static gateway selection. 5GSIWKI is set when combined PGW-C/SMF node is selected.

The following steps explain the static based combined P-GW-C/SMF selection procedure and how the fallback to the next available option happens if the selection fails:

1. MME chooses Combined PGW-C/SMF node that supports UE usage type and collocation with S-GW.
2. If step 1 fails, MME selects the Combined PGW-C+SMF node that supports UE usage type.
3. If step 2 fails, MME selects the Combined PGW-C+SMF node that supports collocation with S-GW.

4. If step 3 fails, MME selects the Combined PGW-C+SMF node.
5. If step 4 fails, MME selects the gateway based on UE usage type and standalone PGW collocation.
6. If step 5 fails, MME selects the standalone PGW that supports UE usage type.
7. If step 6 fails, MME selects the gateway that supports standalone PGW collocation.
8. If step 7 fails, MME selects any gateway from all configured entries.

The following steps explain the DNS-based combined PGW-C+SMF selection procedure and how fallback occurs to the next available option if the selection fails:

1. MME selects a gateway matching the UE Usage type, DCNR, and SMF network capability.
2. If step 1 fails, MME selects the gateway matching the DCNR and SMF network capability.
3. If step 2 fails, MME selects the gateway matching the UE usage type and SMF network capability.
4. If step 3 fails, MME selects the gateway matching the SMF network capability.
5. If step 4 fails, MME selects the gateway matching the UE usage type and DCNR network capability.
6. If step 5 fails, MME selects the gateway matching the DCNR network capability.
7. If step 6 fails, MME selects the gateway matching the UE usage type.
8. If step 7 fails, MME selects the gateway matching the default service parameter.
9. If step 8 fails, MME selects the gateway based on local static configuration.




---

**Note** The above steps are only for reference purpose based on probable combination where UE/MME supports UUT, DCNR and SMF capability. The selection order varies/depends based on the DNS response, UE capability and MME configuration.

---

## EPS to 5Gs Mobility Procedure without n1 Mode Support

### Feature Description

The MME accepts context requests from AMF regardless of the n1-mode support that UE indicates to EPS. This feature is enabled by default.

To reject context requests when the UE indicates that it does not support n1-mode, you can disable this feature by enabling the **reject-EPS-to-5GS-without-n1-mode** configuration.

### Disabling EPS to 5G Mobility without n1 Mode

Use the following configuration to disable EPS to 5GS mobility without n1 mode support.

```
configure
context context_name
  mme service service_name
    [ no ] n1-mode 5gs-interworking-with-n26 [ sgw-selection |
```

```
reject-EPS-to-5GS-without-n1-mode ]
end
```

**NOTES:**

- **mme-service** *service\_name*: Configures MME Service. *mme\_service* and must be a string of 1–63 characters.
- **n1-mode**: Configures interworking with 5Gs for UEs supporting N1 mode.
- **5gs-interworking-with-n26**: Enables 5GS-EPS interworking with N26 interface.
- **no**: Enables EPS to 5GS mobility without n1 mode support.
- **reject-EPS-to-5GS-without-n1-mode**: If this CLI is configured, MME enables rejection EPS to 5GS context request from AMF when the UE indicates N1 Mode is not supported.

## Disabling EPS to 5Gs Mobility in Call Control Profile

Use the following configuration to disable EPS to 5GS mobility without n1 mode support in the Call Control Profile.

```
configure
  call-control-profile profile_name
    [ no | remove ] n1-mode 5gs-interworking-with-n26 sgw-selection
  ue-usage-type | reject-EPS-to-5GS-without-n1-mode
end
```

**NOTES:**

- **call-control-profile** *profile\_name*: Creates an instance of a call control profile. *profile\_name* specifies the name of a call control profile entered as an alphanumeric string of 1-64 characters.
- **n1-mode** : Configures interworking with 5GS for UEs supporting N1 mode.
- **5gs-interworking-with-n26** : Enables 5GS-EPS interworking with N26 interface.
- **no** : Disables the configuration..
- **remove**: Removes the configuration from the Call Control Profile and the MME service configuration applies.
- **reject-EPS-to-5GS-without-n1-mode**: If this CLI is configured, MME enables rejection of EPS to 5GS context request from AMF when the UE indicates N1 Mode is not supported.

## Limitations

This section describes the known limitations for the N26 interface functionality:

- Configuration Transfer Tunnel message is not supported.
- Feature-specific optional IEs are not supported. For example, Extended Trace Information IE.
- Default EGTP service is used for GTPv2 messages on N26 interface.
- A maximum of 32 peer-AMF entries can be configured for GUAMI or TAI configuration.
- NBIoT and CIOT optimization is not supported.

- PGW-C+SMF selection for Emergency Attach or Emergency PDN is not supported.

## Supported Standards

The N26 feature support is compliant with the following standards:

- 3GPP 23.401 version 15.10.0 - General Packet Radio Service (GPRS) enhancements for Evolved Universal Terrestrial Radio Access Network (E-UTRAN) access
- 3GPP 23.501 version 15.8.0 - System architecture for the 5G System (5GS)
- 3GPP 23.502 version 15.8.0 - Procedures for the 5G System (5GS)
- 3GPP 33.501 version 15.7.0 - Security architecture and procedures for 5G System
- 3GPP 24.301 version 15.8.0 - Non-Access-Stratum (NAS) protocol for Evolved Packet System (EPS)
- 3GPP 36.413 version 15.8.0 - S1 Application Protocol (S1AP)
- 3GPP 29.272 version 15.10.0 - Mobility Management Entity (MME) and Serving GPRS Support Node (SGSN) related interfaces based on Diameter protocol
- 3GPP 29.274 version 15.9.0 - Tunnelling Protocol for Control plane (GTPv2-C)
- 3GPP 23.003 version 15.8.0 - Numbering, addressing and identification
- 3GPP 29.303 version 15.5.0 - Domain Name System Procedures

## Configuring N26 Interface for MME

This section describes the configuration of 5GS Interworking support using N26 interface on MME.

## Configuring 5GS Interworking using N26 Interface in Call Control Profile

Use the following configuration to enable 5GS Interworking support using N26 interface.

**configure**

```

call-control-profile profile_name
  n1-mode 5gs-interworking-with-n26 [ sgw-selection { s5-or-s8 | s11
[ ue-usage-type ue-usage-type-val [ ue-usage-type-val+ ] ] ]
  [ no | remove] n1-mode 5gs-interworking-with-n26 sgw-selections
ue-usage-type
  [ no ] n1-mode 5gs-interworking-with-n26 sgw-selection s11
  [ no ] n1-mode 5gs-interworking-with-n26 sgw-selection s11 [
ue-usage-type ue-usage-type-val [ ue-usage-type-val+ ] ]
end

```

**NOTES:**

- **call-control-profile** *profile\_name*: Creates an instance of a call control profile. *profile\_name* specifies the name of a call control profile entered as an alphanumeric string of 1-64 characters.
- **n1-mode** : Configures interworking with 5GS for UEs supporting N1 mode.

- **5gs-interworking-with-n26** : Enables 5GS-EPS interworking with N26 interface.
- **no** : Disables 5GS-EPS interworking with N26 interface.

For example, the **no n1-mode 5gs-interworking-with-n26sgw-selections ue-usage-type 130** CLI command indicates that if the N1 mode is configured and `sgw-interface` is configured with `s11` and `ue-usage-type` in the Call Control Profile, then Ue-usage 130 gets removed using **no** option.

- **remove**: Removes the configuration from the Call Control Profile and the MME service configuration applies.

## Configuring 5GS Interworking using N26 Interface in MME Service

Use the following configuration to enable 5GS Interworking Support using the N26 interface.

```
configure
  context context_name
    mme service service_name
      [ no ] n1-mode 5gs-interworking-with-n26 [ [ sgw-selection { s5-or-s8
| s11 [ ue-usage-type ue-usage-type-val [ ue-usage-type-val+ ] ] } ]
      [ no ] n1-mode 5gs-interworking-with-n26 [ sgw-selection |
reject-EPS-to-5GS-without-n1-mode ]
      [ no ] n1-mode 5gs-interworking-with-n26 sgw-selection s11 [
ue-usage-type ue-usage-type-val [ue-usage-type-val+ ] ]
    end
```

### NOTES:

- **mme-service** *service\_name*: Configures MME Service. *mme\_service* and must be a string of 1–63 characters.
- **n1-mode**: Configures interworking with 5Gs for UEs supporting N1 mode.
- **5gs-interworking-with-n26**: Enables 5GS-EPS interworking with N26 interface.
- **no**: Disables 5GS-EPS interworking with N26 interface.

For example, the **no n1-mode 5gs-interworking-with-n26 sgw-selections ue-usage-type 130** CLI command indicates that if the N1 mode is configured and the `sgw-interface` is configured with `s11` and `ue-usage-type` in the MME Service, then Ue-usage 130 gets removed using the **no** option.

- **sgw-selection**: Allows dynamic S-GW selection based on either `s11` or `s5-or-s8`. Defaults to `s5-or-s8`. Value under the Call Control Profile takes precedence over value under the MME service.
  - **s5-or-s8**: Dynamic S-GW selection based on the `s5-or-s8` interface.
  - **s11**: Dynamic S-GW selection based on the `s11` interface.
  - **ue-usage-type**: Specifies up to eight UE usage type integer values in the range 128–255.
- **reject-EPS-to-5GS-without-n1-mode**: Rejects EPS-5GS context request from AMF, if UE indicates that N1 Mode is not supported.



## Peer AMF Configuration

### Configure Peer AMF GUAMI

Use the following configuration to statically configure the peer AMF address in MME service.

```

configure
  context context_name
    mme service service_name
      peer-amf guami { mcc mcc_value mnc mnc_value region-id region_id set-id
set_id pointer pointer_value address { ipv4_address | ipv6_address }
[ no ] peer-amf guami { mcc mcc_value mnc mnc_value region-id region_id
set_id set_id pointer pointer_value }
      end

```

#### NOTES:

- **mme-service** *service\_name*: Configures MME Service. *mme\_service* must be an alphanumeric string of 1-63 characters.
- **peer-amf**: Configures a Peer AMF for 5Gs interworking.
- **guami**: Configures Globally Unique AMF Identifier for this Peer.
- **mcc**: Configures the Mobile Country Code for this Peer AMF.
- **mnc**: Configures the Mobile Network Code for this Peer AMF.
- **region-id**: Configures the Region Identifier for this Peer AMF.
- **set-id** : Configures the Set Identifier for this Peer AMF.
- **pointer**: Configures the Pointer value for this Peer AMF.
- **address**: Configures address of Peer AMF. Must be followed by address using dotted-decimal notation. This can also be specified as an IPv6 address.

### Configure Peer AMF TAI

```

configure
  context context_name
    mme service service_name
      peer-amf tai-match priority { val mccmcc_value mnc mnc_value tac area_code
address { ipv4_address | ipv6_address }
[ no ] peer-amf tai-match priority val
      end

```

#### NOTES:

- **mme-service** *service\_name*: Configures MME Service. *mme\_service* must be an alphanumeric string of 1-63 characters.
- **peer-amf**: Configures a Peer AMF for 5Gs interworking.
- **tai-match**: Configures 5GS Tracking Area Information match for this Peer AMF.
- **mcc**: Configures the Mobile Country Code for this Peer AMF.

- **mnc**: Configures the Mobile Network Code for this Peer AMF.
- **address**: Configures address of Peer AMF. Must be followed by address using dotted-decimal notation. This can also be specified as an IPv6 address.

### Configure PGW-C with SMF Combined

Use the following command to configure the PGW-C with smf combined configuration in mme-service.

```
configure
  context context_name
    mme service service_name
      [ no ] pgw-address ipv4_address | ipv6_address ue-usage-type UUT_Value
  collocated-node collocated_name smf-combined weight weight_value
end
```

Use the following command to configure the P-GW-C with smf combined configuration in apn-call-control-profile.

```
configure
  context context_name
    apn profile profile_name
      [ no ] pgw-address ipv4_address | ipv6_address ue-usage-type UUT_Value
  collocated-node collocated_name smf-combined
end
```

#### NOTES:

- **mme-service service\_name**: Configures MME Service. *mme\_service* must be an alphanumeric string of 1-63 characters.
- **pgw-address**: Configures p-gw address. Must be followed by address using dotted-decimal notation. This can also be specified as an IPv6 address.
- **ue-usage-type** : Configures UE usage type for disconnecting PDN for up service area.
- **collocated-node**: Configures the Collocation name to select the collocated S/PGW node IP addresses and/or P-GW Node name for 5GS Interworking.




---

**Note** Make sure to configure P-GW Node name under **Collocated-node** for 5GS interworking with N26 interface. This configuration allows P-GW Node Name IE to include the configured name in **Context Response** and **Forward relocation Request** messages from MME to AMF over N26 interface.

---

- **smf-combined** : Configures a combined P-GW and SMF.
- **no**: Removes the configured PGW address.

## Configuring DNS Peer AMF

Use the following sample configuration to configure peer-AMF selection using the DNS interface:

```
configure
  mme-service mme_svc_name
    dns peer-amf
  end
```

**NOTES:**

- **dns peer-amf:** MME sends a DNS query to the DNS server for selecting AMF.



**Note** The **dns pgw** command under MME Service and Call Control Profile can be reused to configure DNS to select the PGW-C+SMF address.

## Monitoring and Troubleshooting

This section provides information regarding show commands and outputs available to monitor and troubleshoot the N26 Interface feature.

### Show Commands and Outputs

#### show call-control-profile full name

The output of this command includes the **5GS-EPS interworking with N26 interface** field, which indicates if the 5GS-EPS interworking with N26 interface feature is enabled or disabled under N1 mode at call control profile.

#### show mme-service all

The output of this command includes the following fields:

- **5GS-EPS interworking with N26 interface**
- **Peer AMF GUAMI**
- **Peer AMF TAI**

#### show mme-service statistics output

The output of this command includes the following fields:

Field	Description
<b>EUTRAN&lt;-&gt;NGRAN using N26 Interface:</b>	
Outbound relocation using EPS-5GS Mobility procedure	Displays the number of attempts, successes, and failures of outbound relocation using EPS-5GS mobility procedure.
Outbound relocation using EPS-5GS HO procedure	Displays the number of attempts, successes, and failures of outbound relocation using EPS-5GS handover procedure.

**show mme-service statistics recovered-values output**

Field	Description
Inbound relocation using EPS-5GS Mobility procedure	Displays the number of attempts, successes, and failures of Inbound relocation using EPS-5GS mobility procedure.
Inbound relocation using EPS-5GS HO procedure	Displays the number of attempts, successes, and failures of Inbound relocation using EPS-5GS handover procedure.
<b>UE-Usage-Type Source:</b>	
Peer AMF	Displays the number of Peer AMFs.

**show mme-service statistics recovered-values output**

The output of this command includes the following fields:

Field	Description
Outbound relocation using EPS-5GS Mobility procedure	Displays the number of attempts, successes, and failures of outbound relocation using EPS-5GS mobility procedure.
Outbound relocation using EPS-5GS HO procedure	Displays the number of attempts, successes, and failures of outbound relocation using EPS-5GS handover procedure.
Inbound relocation using EPS-5GS Mobility procedure	Displays the number of attempts, successes, and failures of outbound relocation using EPS-5GS mobility procedure.
Inbound relocation using EPS-5GS HO procedure	Displays the number of attempts, successes, and failures of Inbound relocation using EPS-5GS handover procedure.

**show mme-service statistics 5gs-interworking**

*Table 55: show mme-service statistics 5gs-interworking Command Output Descriptions*

Field	Description
<b>Attach Procedure:</b>	
Attach Request Rcvd	Displays the number of Attach Request messages received with UE advertising N1 Mode support.
<b>TAU Procedure:</b>	
TAU Request Rcvd	Displays the number of TAU Request messages received with UE advertising N1 Mode support.
<b>Node Selection:</b>	
PGW DNS	Displays the number P-GW DNS selection procedure.
SMF-Combined	Displays the number of times P-GW DNS selection procedures performed with DNS RR including the N1 Mode network capability.

Field	Description
NR Capable	Displays the number of times P-GW DNS selection procedures performed with DNS RR including the NR network capability.
Common	Displays the number of times P-GW DNS selection procedures performed with DNS RR excluding the N1 Mode network capability.
PGW Local Config	Displays the number of times P-GW selection procedures performed with locally configured P-GW address, without considering the N1 Mode network capability.
<b>SGW DNS:</b>	
S11	Displays the number of times S-GW selection based on s11 interface.
S5-or-S8	Displays the number of times S-GW selection based on s5-or-s8 interface.

## show call-control-profile full name

The following show command output displays the status.

Field	Description
<b>N1 Mode:</b> If the N1 mode is configured and the S-GW interface is configured with s5-s8 or s11 in the Call Control Profile, the CLI command displays the following parameters:	
5GS-EPS interworking with N26 interface	Displays an enabled 5GS-EPS interworking and displays the following status: <ul style="list-style-type: none"> <li>• SGW selection based on: Displays that the S-GW interface is configured with either s5-s8 or s11 in the Call Control Profile.</li> <li>• Ue Usage Types: Displays either no usage type or the configured usage type. For example, you can view 128 129 130 as UE usage types for the configured s11 interface.</li> </ul>
<b>N1 Mode:</b> If the N1 mode is Disabled in the Call Control Profile:	
5GS-EPS interworking with N26 interface	Displays that the 5GS-EPS interworking is disabled.
<b>N1 Mode:</b> If N1 mode is removed under the Call Control Profile:	
5GS-EPS interworking with N26 interface	Displays that 5GS-EPS interworking is not configured.
<b>N1 Mode:</b> If N1 mode is configured with reject-EPS-to-5GS-without-n1-mode under the Call Control Profile:	
reject-EPS-to-5GS-without-n1-mode	Displays that the reject EPS to 5GS context request from AMF is enabled.
<b>N1 Mode:</b> If reject-EPS-to-5GS-without-n1-mode is disabled under the Call Control Profile:	

## show mme-service all

Field	Description
reject-EPS-to-5GS-without-n1-mode	Displays that the reject EPS to 5GS context request from AMF is disabled.
<b>N1 Mode:</b> If reject-EPS-to-5GS-without-n1-mode is removed under the Call Control Profile:	
reject-EPS-to-5GS-without-n1-mode	Displays that the reject EPS to 5GS context request from AMF is not configured.

## show mme-service all

The following show command outputs displays the status.

Field	Description
<b>N1 Mode:</b> If the N1 mode is configured and the S-GW interface is configured with s5-s8 or s11 in the MME service, the CLI command displays the following parameters:	
5GS-EPS interworking with N26 interface	Displays an enabled 5GS-EPS interworking and displays the following status: <ul style="list-style-type: none"> <li>• SGW selection based on: Displays that the S-GW interface is configured with either s5-s8 or s11 in the MME service.</li> <li>• Use Usage Types: Displays either no usage type or the configured usage type. For example, you can view 128 129 130 as UE usage types for the configured s11 interface.</li> </ul>
<b>N1 Mode:</b> If the N1 mode is Disabled in the MME service:	
5GS-EPS interworking with N26 interface	Displays that the 5GS-EPS interworking is disabled.
<b>N1 Mode:</b> If N1 mode is removed under the MME service:	
5GS-EPS interworking with N26 interface	Displays that 5GS-EPS interworking is not configured.
<b>N1 Mode:</b> If N1 mode is configured with reject-EPS-to-5GS-without-n1-mode under the MME Service:	
reject-EPS-to-5GS-without-n1-mode	Displays that the reject EPS to 5GS context request from AMF is enabled.
<b>N1 Mode:</b> If reject-EPS-to-5GS-without-n1-mode is disabled under the MME Service:	
reject-EPS-to-5GS-without-n1-mode	Displays that the reject EPS to 5GS context request from AMF is disabled.

## show session disconnect-reasons

The output of this command includes the following fields:

Field	Description
mme-reselection-to-amf	This disconnect reason is incremented, if the subscriber reselects AMF as part of the EPS to 5GS Idle Mobility Registration procedure.
mme-relocation-to-amf	This disconnect reason is incremented, if the subscriber relocates to AMF as part of the EPS to 5GS Handover procedure.

## show configuration verbose

Following are the sample configuration commands of **show configuration verbose** and **show configuration** CLI commands.

The **show configuration verbose** sample configuration without the `sgw-interface` option configured.

```
call-control-profile ccpl
  gw-selection topology weight prefer pgw
  nl-mode 5gs-interworking-with-n26 sgw-selection s5-or-s8
  exit

  mme-service mmel
    mme-id group-id 32769 mme-code 2
    ...
    nl-mode 5gs-interworking-with-n26 sgw-selection s5-or-s8
  exit
```

The **show configuration** sample configuration without the `sgw-interface` option configured.

```
call-control-profile ccpl
  gw-selection topology weight prefer sgw
  nl-mode 5gs-interworking-with-n26
  exit

  mme-service mmel
    mme-id group-id 32769 mme-code 2
    ...
    nl-mode 5gs-interworking-with-n26
  exit
```

The **show configuration verbose** and **show configuration** sample configuration with the `sgw-interface` option as `s5-s8`.

```
call-control-profile ccpl
  gw-selection topology weight prefer sgw
  nl-mode 5gs-interworking-with-n26 sgw-selection s5-or-s8
  exit

  mme-service mmel
    mme-id group-id 32769 mme-code 2
    ...
    nl-mode 5gs-interworking-with-n26 sgw-selection s5-or-s8
  exit
```

The **show configuration verbose** and **show configuration** sample configuration with the `sgw-interface` option configured with `s11` with no UUTs.

```

call-control-profile ccpl
  gw-selection topology weight prefer sgw
  nl-mode 5gs-interworking-with-n26 sgw-selection s11
exit

mme-service mmel
  mme-id group-id 32769 mme-code 2
  ...
  nl-mode 5gs-interworking-with-n26 sgw-selection s11
exit

```

The **show configuration verbose** and **show configuration** sample configuration with sgw-interface option configured with s11 with UUTs 128 129.

```

call-control-profile ccpl
  gw-selection topology weight prefer sgw
  nl-mode 5gs-interworking-with-n26 sgw-selection s11 ue-usage-type 128 129
exit

mme-service mmel
  mme-id group-id 32769 mme-code 2
  ...
  nl-mode 5gs-interworking-with-n26 sgw-selection s11 ue-usage-type 128 129
exit

```

The **show configuration verbose** and **show configuration** sample configuration with sgw-interface option reconfigured with s11 with UUTs 128 130 140.

```

call-control-profile ccpl
  gw-selection topology weight prefer sgw
  nl-mode 5gs-interworking-with-n26 sgw-selection s11 ue-usage-type 128 129
exit

mme-service mmel
  mme-id group-id 32769 mme-code 2
  ...
  nl-mode 5gs-interworking-with-n26 sgw-selection s11 ue-usage-type 128 129
exit

```

The **show configuration verbose** and **show configuration** sample configuration with sgw-interface option reconfigured with s11 with UUTs 131 130 140 in the Call Control Profile or MME service.

```

call-control-profile ccpl
  gw-selection topology weight prefer sgw
  nl-mode 5gs-interworking-with-n26 sgw-selection s11 ue-usage-type 128 129 130 131 140
exit

mme-service mmel
  mme-id group-id 32769 mme-code 2
  ...
  nl-mode 5gs-interworking-with-n26 sgw-selection s11 ue-usage-type 128 129 130 131
140
exit

```



The **show configuration verbose** and **show configuration** sample configuration with `sgw-interface` option reconfigured with `s11` with UUTs 255 212 220 in the Call Control Profile or MME service.

```
call-control-profile ccp1
  gw-selection topology weight prefer sgw
  nl-mode 5gs-interworking-with-n26 sgw-selection s11 ue-usage-type 128 129 130 131 140
  212 220 255
  exit

  mme-service mmel
    mme-id group-id 32769 mme-code 2
    ...
    nl-mode 5gs-interworking-with-n26 sgw-selection s11 ue-usage-type 128 129 130 131
  140
  exit
```

The **show configuration verbose** and **show configuration** sample configuration with `sgw-interface` option reconfigured with `s11` with a specific UUT in the Call Control Profile or MME service.

```
call-control-profile ccp1
  gw-selection topology weight prefer sgw
  nl-mode 5gs-interworking-with-n26 sgw-selection s11 ue-usage-type 128 129 130 131 140
  212 220 255
  exit

  mme-service mmel
    mme-id group-id 32769 mme-code 2
    ...
    nl-mode 5gs-interworking-with-n26 sgw-selection s11 ue-usage-type 128 129 130 131
  140
  exit
```

The **show configuration verbose** with `reject-EPS-to-5Gs-without-n1-mode` not configured in the MME service.

```
call-control-profile ccp1
  remove nl-mode 5gs-interworking-with-n26
  exit

  mme-service mmel
    no nl-mode 5gs-interworking-with-n26 reject-EPS-to-5GS-without-n1-mode
  exit
```

The **show config verbose** with `n1-mode 5gs-interworking-with-n26` and `reject-EPS-to-5GS-without-n1-mode` disabled.

```
show configuration verbose/show configuration
  call-control-profile ccp1
  nl-mode 5gs-interworking-with-n26
  no nl-mode 5gs-interworking-with-n26 reject-EPS-to-5GS-without-n1-mode

#exit

  mme-service mmel
  nl-mode 5gs-interworking-with-n26
  no nl-mode 5gs-interworking-with-n26 reject-EPS-to-5GS-without-n1-mode
```

```
#exit
```

The following is the sample configuration of **show configuration verbose** and **show configuration** commands where, n1-mode 5gs-interworking-with-n26, sgw-selection, and reject-EPS-to-5GS-without-n1-mode option is enabled.

```
show configuration verbose/show configuration
call-control-profile ccpl
  n1-mode 5gs-interworking-with-n26 sgw-selection s11
  n1-mode 5gs-interworking-with-n26 reject-EPS-to-5GS-without-n1-mode
#exit

mme-service mmel
  n1-mode 5gs-interworking-with-n26 sgw-selection s11
  n1-mode 5gs-interworking-with-n26 reject-EPS-to-5GS-without-n1-mode
#exit
```

The following is the sample configuration of **show configuration verbose** and **show configuration** commands where, n1-mode 5gs-interworking-with-n26, reject-EPS-to-5GS-without-n1-mode is enabled and sgw-selection is not configured.

```
show configuration verbose/show configuration
call-control-profile ccpl
  n1-mode 5gs-interworking-with-n26 reject-EPS-to-5GS-without-n1-mode
#exit

mme-service mmel
  n1-mode 5gs-interworking-with-n26 reject-EPS-to-5GS-without-n1-mode
#exit
```

## Bulk Statistics

### MME Schema

#### MME Service Bulk Statistics

The following MME Service bulk statistics are included in the MME Schema.

Counters	Description
out-mob-4gto5g-n26-attempted	Displays the total number of attempted outbound relocation using EPS to 5GS Idle mode mobility procedure in N26 interface.
out-mob-4gto5g-n26-success	Displays the total number of successful outbound relocation using EPS to 5GS Idle mode mobility procedure in N26 interface
out-mob-4gto5g-n26-failures	Displays the total number of failed outbound relocation using EPS to 5GS Idle mode mobility procedure in N26 interface.

Counters	Description
out-ho-4gto5g-n26-attempted	Displays the total number of attempted outbound relocation using EPS to 5GS Handover procedure in N26 interface.
out-ho-4gto5g-n26-success,	Displays the total number of successful outbound relocation using EPS to 5GS Handover procedure in N26 interface.
out-ho-4gto5g-n26-failures	Displays the total number of failed outbound relocation using EPS to 5GS Handover procedure in N26 interface.
in-mob-5gto4g-n26-attempted	Displays the total number of attempted inbound relocation using 5GS to EPS Idle mode mobility procedure in N26 interface.
in-mob-5gto4g-n26-success	Displays the total number of successful inbound relocation using 5GS to EPS Idle mode mobility procedure in N26 interface.
in-mob-5gto4g-n26-failure	Displays the total number of failed inbound relocation using 5GS to EPS Idle mode mobility procedure in N26 interface.
in-ho-5gto4g-n26-attempted	Displays the total number of attempted inbound relocation using 5GS to EPS Handover procedure in N26 interface.
in-ho-5gto4g-n26-success	Displays the total number of successful inbound relocation using 5GS to EPS Handover procedure in N26 interface.
in-ho-5gto4g-n26-failures	Displays the total number of failed inbound relocation using 5GS to EPS Handover procedure in N26 interface.
mme-decor-ue-usage-type-src-peer-amf	Displays the the number of MME subscriber sessions, where UE usage type was obtained from peer AMF as part of handover.
n1-mode-attach-req	Displays the total number of Attach Requests received with N1 mode supported.
n1-mode-tau-req	Displays the total number of TAU Requests received with N1 mode supported.
n1-mode-dns-pgw-selection-smf	Displays the total number of times P-GW selection procedures were performed with locally configured P-GW address, without considering the N1 Mode network capability.
n1-mode-dns-pgw-selection-nr	Displays the number of times P-GW DNS selection procedures are performed with DNS RR including the NR network capability.
n1-mode-dns-pgw-selection-common	Displays the number of times P-GW DNS selection procedures are performed with DNS RR excluding the N1 Mode network capability.
n1-mode-dns-pgw-selection-local	Displays the total number of times P-GW selection procedures were performed with locally configured P-GW address, without considering the N1 Mode network capability.
n1-mode-dns-sgw-selection-s11	Displays the total number of times dynamic S-GW selection procedures were performed based on the s11 interface.

Counters	Description
n1-mode-dns-sgw-selection-s5-or-s8	Displays the total number of times dynamic S-GW selection procedures were performed based on the s5 or s8 interface.

### MME Service Backup Bulk Statistics

The following MME Service backup bulk statistics are included in the MME-BK Schema.

Counters	Description
recovered-out-mob-4gto5g-n26-attempted	Shows recovered values for total number of attempted outbound relocation using EPS to 5GS Idle mode mobility procedure in N26 interface.
recovered-out-mob-4gto5g-n26-success	Shows recovered values for total number of successful outbound relocation using EPS to 5GS idle mode mobility procedure in N26 interface.
recovered-out-ho-4gto5g-n26-attempted	Shows recovered values for total number of attempted outbound relocation using EPS to 5GS Handover procedure in N26 interface.
recovered-out-ho-4gto5g-n26-success	Shows recovered values for total number of successful outbound relocation using 5GS to EPS handover procedure in N26 interface.
recovered-in-mob-5gto4g-n26-attempted	Shows recovered values for total number of attempted inbound relocation using 5GS to EPS Idle mode mobility procedure in N26 interface.
recovered-in-mob-5gto4g-n26-success	Shows recovered values for total number of successful inbound relocation using 5GS to EPS Idle mode mobility procedure in N26 interface.
recovered-in-ho-5gto4g-n26-attempted	Shows recovered values for total number of attempted inbound relocation using 5GS to EPS Handover procedure in N26 interface.
recovered-in-ho-5gto4g-n26-success	Shows recovered values for total number of successful inbound relocation using 5GS to EPS Handover procedure in N26 interface.



## CHAPTER 77

# Operator Policy

The proprietary concept of an operator policy, originally architected for the exclusive use of an SGSN, is non-standard and currently unique to the ASR 5500. This optional feature empowers the carrier with flexible control to manage functions that are not typically used in all applications and to determine the granularity of the implementation of any operator policy: to groups of incoming calls or to simply one single incoming call.

The following products support the use of the operator policy feature:

- MME (Mobility Management Entity - LTE)
- SGSN (Serving GPRS Support Node - 2G/3G/LTE)
- S-GW (Serving Gateway - LTE)

This document includes the following information:

- [What Operator Policy Can Do, on page 715](#)
- [The Operator Policy Feature in Detail, on page 716](#)
- [How It Works, on page 720](#)
- [Operator Policy Configuration, on page 720](#)
- [Verifying the Feature Configuration, on page 726](#)

## What Operator Policy Can Do

Operator policy enables the operator to specify a policy with rules governing the services, facilities and privileges available to subscribers.

## A Look at Operator Policy on an SGSN

The following is only a sampling of what working operator policies can control on an SGSN:

- APN information included in call activation messages are sometimes damaged, misspelled, missing. In such cases, the calls are rejected. The operator can ensure calls aren't rejected and configure a range of methods for handling APNs, including converting incoming APNs to preferred APNs and this control can be used in a focused fashion or defined to cover ranges of subscribers.
- In another example, it is not unusual for a blanket configuration to be implemented for all subscriber profiles stored in the HLR. This results in a waste of resources, such as the allocation of the default highest QoS setting for all subscribers. An operator policy provides the opportunity to address such issues by allowing fine-tuning of certain aspects of profiles fetched from HLRs and, if desired, overwrite QoS settings received from HLR.

## A Look at Operator Policy on an S-GW

The S-GW operator policy provides mechanisms to fine tune the behavior for subsets of subscribers. It also can be used to control the behavior of visiting subscribers in roaming scenarios by enforcing roaming agreements and providing a measure of local protection against foreign subscribers.

The S-GW uses operator policy in the SGW service configuration to control the accounting mode. The default accounting mode is GTPP, but RADIUS/Diameter and none are options. The accounting mode value from the call control profile overrides the value configured in SGW service. If the accounting context is not configured in the call control profile, it is taken from SGW service. If the SGW service does not have the relevant configuration, the current context or default GTPP group is assumed.

## The Operator Policy Feature in Detail

This flexible feature provides the operator with a range of control to manage the services, facilities and privileges available to subscribers.

Operator policy definitions can depend on factors such as (but not limited to):

- roaming agreements between operators,
- subscription restrictions for visiting or roaming subscribers,
- provisioning of defaults to override standard behavior.

These policies can override standard behaviors and provide mechanisms for an operator to circumvent the limitations of other infrastructure elements such as DNS servers and HLRs in 2G/3G networks.

By configuring the various components of an operator policy, the operator fine-tunes any desired restrictions or limitations needed to control call handling and this can be done for a group of callers within a defined IMSI range or per subscriber.

**Re-Usable Components** - Besides enhancing operator control via configuration, the operator policy feature minimizes configuration by drastically reducing the number of configuration lines needed. Operator policy maximizes configurations by breaking them into the following reusable components that can be shared across IMSI ranges or subscribers:

- call control profiles
- IMEI profiles (SGSN only)
- APN profiles
- APN remap tables
- operator policies
- IMSI ranges

Each of these components is configured via a separate configuration mode accessed through the Global Configuration mode.

## Call Control Profile

A call control profile can be used by the operator to fine-tune desired functions, restrictions, requirements, and/or limitations needed for call management on a per-subscriber basis or for groups of callers across IMSI ranges. For example:

- setting access restriction cause codes for rejection messages
- enabling/disabling authentication for various functions such as attach and service requests

- enabling/disabling ciphering, encryption, and/or integrity algorithms
- enabling/disabling of packet temporary mobile subscriber identity (P-TMSI) signature allocation (SGSN only)
- enabling/disabling of zone code checking
- allocation/retention priority override behavior (SGSN only)
- enabling/disabling inter-RAT, 3G location area, and 4G tracking area handover restriction lists (MME and S-GW only)
- setting maximum bearers and PDNs per subscriber (MME and S-GW only)

Call control profiles are configured with commands in the Call Control Profile configuration mode. A single call control profile can be associated with multiple operator policies

For planning purposes, based on the system configuration, type of packet services cards, type of network (2G, 3G, 4G, LTE), and/or application configuration (single, combo, dual access), the following call control profile configuration rules should be considered:

- 1 (only one) - call control profile can be associated with an operator policy
- 1000 - maximum number of call control profiles per system (e.g., an SGSN).
- 15 - maximum number of equivalent PLMNs for 2G and 3G per call control profile
  - 15 - maximum number of equivalent PLMNs for 2G per ccprofile.
  - 15 - maximum number of supported equivalent PLMNs for 3G per ccprofile.
- 256 - maximum number of static SGSN addresses supported per PLMN
- 5 - maximum number of location area code lists supported per call control profile.
- 100 - maximum number of LACs per location area code list supported per call control profile.
- unlimited number of zone code lists can be configured per call control profile.
- 100 - maximum number of LACs allowed per zone code list per call control profile.
- 2 - maximum number of integrity algorithms for 3G per call control profile.
- 3 - maximum number of encryption algorithms for 3G per call control profile.

## APN Profile

An APN profile groups a set of access point name (APN)-specific parameters that may be applicable to one or more APNs. When a subscriber requests an APN that has been identified in a selected operator policy, the parameter values configured in the associated APN profile will be applied.

For example:

- enable/disable a direct tunnel (DT) per APN. (SGSN)
- define charging characters for calls associated with a specific APN.
- identify a specific GGSN to be used for calls associated with a specific APN (SGSN).
- define various quality of service (QoS) parameters to be applied to calls associated with a specific APN.
- restrict or allow PDP context activation on the basis of access type for calls associated with a specific APN.

APN profiles are configured with commands in the APN Profile configuration mode. A single APN profile can be associated with multiple operator policies.

For planning purposes, based on the system configuration, type of packet processing cards and 2G, 3G, 4G, and/or dual access, the following APN profile configuration rules should be considered:

- 50 - maximum number of APN profiles that can be associated with an operator policy.

- 1000 - maximum number of APN profiles per system (e.g., an SGSN).
- 116 - maximum gateway addresses (GGSN addresses) that can be defined in a single APN profile.

## IMEI-Profile (SGSN only)

The IMEI is a unique international mobile equipment identity number assigned by the manufacturer that is used by the network to identify valid devices. The IMEI has no relationship to the subscriber.

An IMEI profile group is a set of device-specific parameters that control SGSN behavior when one of various types of Requests is received from a UE within a specified IMEI range. These parameters control:

- Blacklisting devices
- Identifying a particular GGSN to be used for connections for specified devices
- Enabling/disabling direct tunnels to be used by devices

IMEI profiles are configured with commands in the IMEI Profile configuration mode. A single IMEI profile can be associated with multiple operator policies.

For planning purposes, based on the system configuration, type of packet processing cards, type of network (2G, 3G, 4G, LTE), and/or application configuration (single, combo, dual access), the following IMEI profile configuration rules should be considered:

- 10 - maximum number of IMEI ranges that can be associated with an operator policy.
- 1000 - maximum number of IMEI profiles per system (such as an SGSN).

## APN Remap Table

APN remap tables allow an operator to override an APN specified by a user, or the APN selected during the normal APN selection procedure, as specified by 3GPP TS 23.060. This atypical level of control enables operators to deal with situations such as:

- An APN is provided in the Activation Request that does not match with any of the subscribed APNs either a different APN was entered or the APN could have been misspelled. In such situations, the SGSN would reject the Activation Request. It is possible to correct the APN, creating a valid name so that the Activation Request is not rejected.
- In some cases, an operator might want to force certain devices/users to use a specific APN. For example, all iPhone4 users may need to be directed to a specific APN. In such situations, the operator needs to be able to override the selected APN.

An APN remap table group is a set of APN-handling configurations that may be applicable to one or more subscribers. When a subscriber requests an APN that has been identified in a selected operator policy, the parameter values configured in the associated APN remap table will be applied. For example, an APN remap table allows configuration of the following:

- APN aliasing - maps incoming APN to a different APN based on partial string match (MME and SGSN) or matching charging characteristic (MME and SGSN).
- Wildcard APN - allows APN to be provided by the SGSN when wildcard subscription is present and the user has not requested an APN.
- Default APN - allows a configured default APN to be used when the requested APN cannot be used for example, the APN is not part of the HLR subscription. In 21.4 and later releases, the configuration to enable default APN on failure of DNS query is enhanced to support S4-SGSN. When wildcard APN is



received in subscription, the DNS request is tried with the MS requested APN and on failure of DNS, it is retried with the APN value configured in the APN remap table.

APN remap tables are configured with commands in the APN Remap Table configuration mode. A single APN remap table can be associated with multiple operator policies, but an operator policy can only be associated with a single APN remap table.

For planning purposes, based on the system configuration, type of packet processing cards, type of network (2G, 3G, 4G, LTE), and/or application configuration (single, combo, dual access), the following APN remap table configuration rules should be considered:

- 1 - maximum number of APN remap tables that can be associated with an operator policy.
- 1000 - maximum number of APN remap tables per system (such as an SGSN).
- 100 - maximum remap entries per APN remap table.

## Operator Policies

The profiles and tables are created and defined within their own configuration modes to generate sets of rules and instructions that can be reused and assigned to multiple policies. An operator policy binds the various configuration components together. It associates APNs, with APN profiles, with an APN remap table, with a call control profile, and/or an IMEI profile (SGSN only) and associates all the components with filtering ranges of IMSIs.

In this manner, an operator policy manages the application of rules governing the services, facilities, and privileges available to subscribers.

Operator policies are configured and the associations are defined via the commands in the Operator Policy configuration mode.

The IMSI ranges are configured with the command in the SGSN-Global configuration mode.

For planning purposes, based on the system configuration, type of packet processing cards, type of network (2G, 3G, 4G, LTE), and/or application configuration (single, combo, dual access), the following operator policy configuration rules should be considered:

- 1 maximum number of call control profiles associated with a single operator policy.
- 1 maximum number of APN remap tables associated with a single operator policy.
- 10 maximum number of IMEI profiles associated with a single operator policy (SGSN only)
- 50 maximum number of APN profiles associated with a single operator policy.
- 1000 maximum number of operator policies per system (e.g., an SGSN) this number includes the single default operator policy.
- 1000 maximum number of IMSI ranges defined per system (e.g., an SGSN).



---

**Important**

SGSN operator policy configurations can be converted to enable them to work with an SGSN. Your Cisco Account Representative can accomplish this conversion for you.

---

## IMSI Ranges

Ranges of international mobile subscriber identity (IMSI) numbers, the unique number identifying a subscriber, are associated with the operator policies and used as the initial filter to determine whether or not any operator policy would be applied to a call. The range configurations are defined by the MNC, MCC, a range of MSINs, and optionally the PLMN ID. The IMSI ranges must be associated with a specific operator policy.

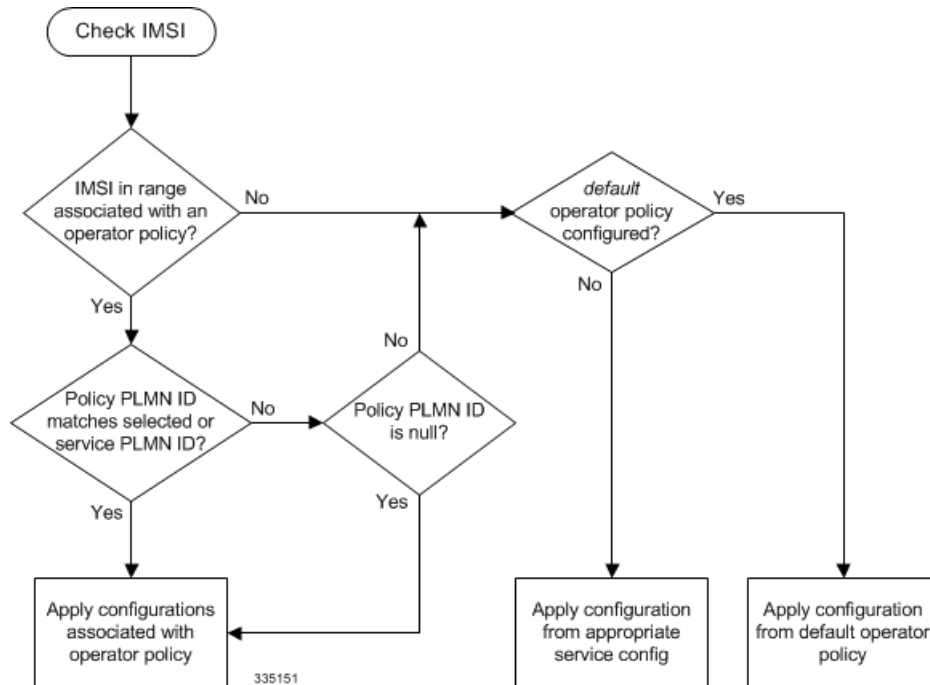
IMSI ranges are defined differently for each product supporting the operator policy feature.

## How It Works

The specific operator policy is selected on the basis of the subscriber's IMSI at attach time, and optionally the PLMN ID selected by the subscriber or the RAN node's PLMN ID. Unique, non-overlapping, IMSI + PLMN-ID ranges create call filters that distinguish among the configured operator policies.

The following flowchart maps out the logic applied for the selection of an operator policy:

**Figure 73: Operator Policy Selection Logic**



## Operator Policy Configuration

This section provides a high-level series of steps and the associated configuration examples to configure an operator policy. By configuring an operator policy, the operator fine-tunes any desired restrictions or limitations needed to control call handling per subscriber or for a group of callers within a defined IMSI range.

Most of the operator policy configuration components are common across the range of products supporting operator policy. Differences will be noted as they are encountered below.




---

**Important** This section provides a minimum instruction set to implement operator policy. For this feature to be operational, you must first have completed the system-level configuration as described in the *System Administration Guide* and the service configuration described in your product's administration guide.

---

The components can be configured in any order. This example begins with the call control profile:

- 
- Step 1** Create and configure a call control profile, by applying the example configuration presented in the Call Control Profile Configuration section.
  - Step 2** Create and configure an APN profile, by applying the example configuration presented in the APN Profile Configuration section.
    - Note** It is not necessary to configure both an APN profile and an IMEI profile. You can associate either type of profile with a policy. It is also possible to associate one or more APN profiles with an IMEI profile for an operator policy (SGSN only).
  - Step 3** Create and configure an IMEI profile by applying the example configuration presented in the *IMEI Profile Configuration* section (SGSN only).
  - Step 4** Create and configure an APN remap table by applying the example configuration presented in the *APN Remap Table Configuration* section.
  - Step 5** Create and configure an operator policy by applying the example configuration presented in the *Operator Policy Configuration* section.
  - Step 6** Configure an IMSI range by selecting and applying the appropriate product-specific example configuration presented in the *IMSI Range Configuration* sections below.
  - Step 7** Associate the configured operator policy components with each other and a network service by applying the example configuration in the *Operator Policy Component Associations* section.
  - Step 8** Save your configuration to flash memory, an external memory device, and/or a network location using the Exec mode command **save configuration**. For additional information on how to verify and save configuration files, refer to the *System Administration Guide* .
  - Step 9** Verify the configuration for each component separately by following the instructions provided in the *Verifying the Feature Configuration* section of this chapter.
- 

## Call Control Profile Configuration

This section provides the configuration example to create a call control profile and enter the configuration mode.

Use the call control profile commands to define call handling rules that will be applied via an operator policy. Only one call control profile can be associated with an operator policy, so it is necessary to use (and repeat as necessary) the range of commands in this mode to ensure call-handling is sufficiently managed.

### Configuring the Call Control Profile for an SGSN

The example below includes some of the more commonly configured call control profile parameters with sample variables that you will replace with your own values.

```

configure
  call-control-profile profile_name>
    attach allow access-type umts location-area-list instance list_id
    authenticate attach
    location-area-list instance instance area-code area_code
    sgsn-number E164_number
  end

```

Notes:

- Refer to the *Call Control Profile Configuration Mode* chapter in the *Command Line Interface Reference* for command details and variable options.
- This profile will only become valid when it is associated with an operator policy.

## Configuring the Call Control Profile for an MME or S-GW

The example below includes some of the more commonly configured call control profile parameters with sample variables that you will replace with your own values.

```

configure
  call-control-profile profile_name
    associate hss-peer-service service_name s6a-interface
    attach imei-query-type imei verify-equipment-identity
    authenticate attach
    dns-pgw context mme_context_name
    dns-sgw context mme_context_name
  end

```

Notes:

- Refer to the *Call Control Profile Configuration Mode* chapter in the *Command Line Interface Reference* for command details and variable options.
- This profile will only become valid when it is associated with an operator policy.

## APN Profile Configuration

This section provides the configuration example to create an APN profile and enter the apn-profile configuration mode.

Use the **apn-profile** commands to define how calls are to be handled when the requests include an APN. More than one APN profile can be associated with an operator policy.

The example below includes some of the more commonly configured profile parameters with sample variables that you will replace with your own values.

```

configure
  apn-profile profile_name
    gateway-address 209.165.200.227 priority 1 (SGSN only)
    direct-tunnel not-permitted-by-ggsn (SGSN only)
    idle-mode-acl ipv4 access-group station7 (S-GW only)
  end

```

Notes:

- All of the parameter defining commands in this mode are product-specific. Refer to the *APN Profile Configuration Mode* chapter in the *Command Line Interface Reference* for command details and variable options.
- This profile will only become valid when it is associated with an operator policy.

## IMEI Profile Configuration - SGSN only

This section provides the configuration example to create an IMEI profile and enter the imei-profile configuration mode.

Use the **imei-profile** commands to define how calls are to be handled when the requests include an IMEI in the defined IMEI range. More than one IMEI profile can be associated with an operator policy.

The example below includes some of the more commonly configured profile parameters with sample variables that you will replace with your own values.

**configure**

```
imei-profile profile_name
ggsn-address 211.211.123.3
direct-tunnel not-permitted-by-ggsn (SGSN only)
associate apn-remap-table remap1
end
```

Notes:

- It is optional to configure an IMEI profile. An operator policy can include IMEI profiles and/or APN profiles.
- This profile will only become valid when it is associated with an operator policy.

## APN Remap Table Configuration

This section provides the configuration example to create an APN remap table and enter the apn-remap-table configuration mode.

Use the **apn-remap-table** commands to define how APNs are to be handled when the requests either do or do not include an APN.

The example below includes some of the more commonly configured profile parameters with sample variables that you will replace with your own values.

**configure**

```
apn-remap-table table_name
apn-selection-default first-in-subscription
wildcard-apn pdp-type ipv4 network-identifier apn_net_id
blank-apn network-identifier apn_net_id (SGSN only)
end
```

Notes:

- The **apn-selection-default first-in-subscription** command is used for APN redirection to provide "guaranteed connection" in instances where the UE-requested APN does not match the default APN or is missing completely. In this example, the first APN matching the PDP type in the subscription is used. The first-in-selection keyword is an MME feature only.

- Some of the commands represented in the example above are common and some are product-specific. Refer to the *APN-Remap-Table Configuration Mode* chapter in the *Command Line Interface Reference* for command details and variable options.
- This profile will only become valid when it is associated with an operator policy.

## Operator Policy Configuration

This section provides the configuration example to create an operator policy and enter the operator policy configuration mode.

Use the commands in this mode to associate profiles with the policy, to define and associate APNs with the policy, and to define and associate IMEI ranges. Note: IMEI ranges are supported for SGSN only.

The example below includes sample variable that you will replace with your own values.

**configure**

```
operator-policy policy_name
  associate call-control-profile profile_name
  apn network-identifier apn-net-id_1 apn-profile apn_profile_name_1
  apn network-identifier apn-net-id_2 apn-profile apn_profile_name_1
  imei range <imei_number to imei_number imei-profile name profile_name
  associate apn-remap-table table_name
end
```

Notes:

- Refer to the *Operator-Policy Configuration Mode* chapter in the *Command Line Interface Reference* for command details and variable options.
- This policy will only become valid when it is associated with one or more IMSI ranges (SGSN) or subscriber maps (MME and S-GW).

## IMSI Range Configuration

This section provides IMSI range configuration examples for each of the products that support operator policy functionality.

### Configuring IMSI Ranges on the MME or S-GW

IMSI ranges on an MME or S-GW are configured in the Subscriber Map Configuration Mode. Use the following example to configure IMSI ranges on an MME or S-GW:

**configure**

```
subscriber-map name
  lte-policy
    precedence number match-criteria imsi mcc mcc_number mnc mnc_number msin
  first start_range last end_range operator-policy-name policy_name
end
```

Notes:

- The precedence number specifies the order in which the subscriber map is used. 1 has the highest precedence.
- The operator policy name identifies the operator policy that will be used for subscribers that match the IMSI criteria and fall into the MSIN range.

## Configuring IMSI Ranges on the SGSN

The example below is specific to the SGSN and includes sample variables that you will replace with your own values.

```
configure
sgsn-global
imsi-range mcc 311 mnc 411 operator-policy oppolicy1
imsi-range mcc 312 mnc 412 operator-policy oppolicy2
imsi-range mcc 313 mnc 413 operator-policy oppolicy3
imsi-range mcc 314 mnc 414 operator-policy oppolicy4
imsi-range mcc 315 mnc 415 operator-policy oppolicy5
end
```

Notes:

- Operator policies are not valid until IMSI ranges are associated with them.

## Associating Operator Policy Components on the MME

After configuring the various components of an operator policy, each component must be associated with the other components and, ultimately, with a network service.

The MME service associates itself with a subscriber map. From the subscriber map, which also contains the IMSI ranges, operator policies are accessed. From the operator policy, APN remap tables and call control profiles are accessed.

Use the following example to configure operator policy component associations:

```
configure
operator-policy name
  associate apn-remap-table table_name
  associate call-control-profile profile_name
  exit
lte-policy
  subscriber-map name
  precedence match-criteria all operator-policy-name policy_name
  exit
  exit
context mme_context_name
  mme-service mme_svc_name
  associate subscriber-map name
  end
```

Notes:

- The **precedence** command in the subscriber map mode has other **match-criteria** types. The **all** type is used in this example.

## Configuring Accounting Mode for S-GW

The **accounting mode** command configures the mode to be used for the S-GW service for accounting, either **GTPP** (default), **RADIUS/Diameter**, or **None**.

Use the following example to change the S-GW accounting mode from GTPP (the default) to RADIUS/Diameter:

```
configure
context sgw_context_name
  sgw-service sgw_srv_name
    accounting mode radius-diameter
  end
```

Notes:

- An accounting mode configured for the call control profile will override this setting.

## Verifying the Feature Configuration

This section explains how to display the configurations after saving them in a .cfg file as described in the *System Administration Guide*.




---

**Important** All commands listed here are under Exec mode. Not all commands are available on all platforms.

---

Verify that the operator policy has been created and that required profiles have been associated and configured properly by entering the following command in Exec Mode:

```
show operator-policy full name oppolicy1
```

The output of this command displays the entire configuration for the operator policy configuration.

```
show operator-policy full name oppolicy1
Operator Policy Name = oppolicy1
Call Control Profile Name           : ccprofile1
  Validity                           : Valid
APN Remap Table Name                : remapl
  Validity                           : Valid
IMEI Range 711919739                to 711919777
  IMEI Profile Name                  : imeiprof1
    Include/Exclude                  : Include
    Validity                         : Valid
APN NI homers1
  APN Profile Name                   : apn-profile1
  Validity                           : Valid
```

Notes:

- If the profile name is shown as "Valid", the profile has actually been created and associated with the policy. If the Profile name is shown as "Invalid", the profile has not been created/configured.
- If there is a valid call control profile, a valid APN profile and/or valid IMEI profile, and a valid APN remap table, the operator policy is valid and complete if the IMSI range has been defined and associated.





## CHAPTER 78

# Operator Specific QCI

This chapter describes the addition of new standardized QCI values and Operator Specific QCI values.

- [Feature Description, on page 727](#)
- [Configuring Operator Specific QCI, on page 729](#)
- [Monitoring and Troubleshooting Operator Specific QCI, on page 731](#)

## Feature Description

In Release 20.0, MME has been enhanced to support new standardized QCIs 65, 66, 67, 69 and 70. Also, MME also supports operator specific (non-standard) QCIs from 128 to 254. The non-standard QCIs provides Operator Specific QoS for M2M and other mission critical communications.

The **operator-defined-qci** command under the QoS profile configuration is provisioned to enable or disable Operator Specific QCI. When enabled, MME accepts Operator Specific QCI values (128-254) both from HSS and PGW. If not enabled, MME will reject the procedure on receiving any Operator Specific QCI value.

Additionally, this chapter describes the mapping of operator specific QCIs to Pre-Release8 QoS parameters during a handover to UTRAN/GERAN.

The Operator Specific QCI Support feature is license controlled. Contact your Cisco Account or Support representative for information on how to obtain a license.

The Operator Specific QCI feature provides the following functionalities:

- MME provides a CLI to enable/disable 'operator-defined-qci' under QoS-Profile.
- Operator Specific QCI value ranges from 128 to 254.
- The new standardized QCI values 65, 66, 67, 69 and 70 is accepted for configuration under all existing CLIs that involves QCI.
- QCI validation is performed during configuration to avoid invalid values.
- Existing QoS control on all bearers is extended to the new QCIs values. A specific QCI or a range of QCIs can be associated to a Bearer Control Profile under QoS-Profile. An operator specific QCI can be re-mapped to another QCI using this Bearer Control Profile. Bearer level parameters such as ARP, MBR, GBR values can be configured independently for default/dedicated bearer along with action such as **prefer-as-cap** or **pgw-upgrade** in the Bearer Control Profile.
- MME rejects the default/dedicated bearers with QCIs that are configured to be rejected under QoS-Profile.

- MME provides CLI configuration under the Bearer Control Profile to map Operator Specific QCI to Pre-Release8 QoS parameters or a standard QCI.
- The standardized QCI mapping is defined according to the TS 23.401 3GPP specification.
- Every Standard QCI GBR/Non-GBR is associated with a priority level as shown below:

QCI	Resource Type	Priority
1	GBR	2
2	GBR	4
3	GBR	3
4	GBR	5
5	Non-GBR	1
6	Non-GBR	6
7	Non-GBR	7
8	Non-GBR	8
9	Non-GBR	9
65	GBR	0.7
66	GBR	2
67	GBR	1.5
69	Non-GBR	0.5
70	Non-GBR	5.5

- Priority Level 1 has the highest priority and in case of congestion lowest priority level traffic would be the first to be discarded.
- The operator specific QCIs from 128 to 254 shall have the lowest priority. These priority values are considered while deriving resultant QoS values for the Minimum and Reject-if-exceed actions configured in prefer-as-cap or pgw-upgrade
- The **paging-map** CLI is enhanced to accommodate QCI values - 65, 66, 67, 69 and 70.
- The **qci-reject** CLI under QoS-Profile is modified to accept Operator Specific QCI values.
- UE initiated bearers with existing QCI 65, 66, 69, 70 and the newly added QCI 67 are rejected.



**Note** MME supports standardized QCIs from 1 to 9. It accepts the new standardized QCI values 69 and 70 for default bearer creation, and 65, 66, 67, 69 and 70 for dedicated bearer creation. Any other QCI value is considered invalid.

### Controlling Process Related QCI on S6A

Standardized Non-GBR QCI values 69 and 70, and operator specific QCI values in the range 128 to 254 enabled using the **operator-defined-qci** CLI under QoS-Profile is accepted from the subscription (HSS). If the CLI is not enabled, MME will reject all Operator Specific values.

### Controlling Process Related QCI on S11

Standardized QCI values 65, 66, 67, 69 and 70, and operator specific QCI values in the range 128 to 254 enabled using the **operator-defined-qci** CLI under QoS-Profile is accepted from the S-GW. If the CLI is not enabled, MME will reject all Operator Specific values.



- 
- Note**
- The **qci-reject** CLI under QoS profile can be used to reject any specific QCI value or a range of QCI values.
  - Standardized QCI values are accepted even if the operator-defined-qci CLI is not enabled.
- 

### Mapping of Operator Specific QCI to 3GPP Pre-Release QoS Parameters

Mapping of Operator Specific QCIs to Pre-Release8 QoS parameters is supported for successful handover of bearers to UTRAN/GERAN during handoff

A new CLI is implemented in MME to map standard or non-standardized QCI's to PreRelease8QoS parameters so that the bearers are transferred during a handover to Gn-Gp SGSN. The mapped QoS values would be sent in GTPv1 SGSN-Context-Response or Forward-Relocation-Request messages to peer SGSN.

One of the following values can be used to map EPC QoS from non-standard QCIs to 3GPP pre-release8 QoS:

- All pre-release8 QoS parameters.
- A standard QCI value (according to the mapping defined in 3GPP TS 23.401 standards).

To support mapping, a new CLI is added in the Bearer Control Profile Configuration Mode. If this configuration is not available, MME uses background class values as default, and maps the QCIs to the background class and its associated QoS parameters.

### Standards Compliance

The Non-Standard and Operator Specific QCI feature complies with the following standards:

- LTE; General Packet Radio Service (GPRS) enhancements for Evolved Universal Terrestrial Radio Access Network (E-UTRAN) access (3GPP TS 23.401 version 12.8.0 Release 12).
- LTE; Quality of Service (QoS) concept and architecture (3GPP TS 23.107 version 12.0.0 Release 12).
- LTE; Policy and charging control architecture (3GPP TS 23.203 version 13.1.0).

## Configuring Operator Specific QCI

This section documents the configuration procedures for the Operator Specific QCI feature.

The following CLI enables Operator Specific QCI in MME. If this CLI is enabled, MME accepts the QCI range 128 - 254 from HSS and P-GW.

```
configure
  quality-of-service-profile profile_name
    [ remove ] operator-defined-qci
  end
```



- 
- Note**
- By default, this command is disabled.
  - **operator-defined-qci** enables Operator Specific QCI values.
  - **remove** disables the Operator Specific QCI configuration.
- 

The following CLI maps non-standardized QCIs to PreRelease8QoS parameters for transferring bearers during a handover to Gn-Gp SGSN:

```
configure
  bearer-control-profile profile_name
    [ remove ] { pre-rel8-qos-mapping { { class { background |
conversational | interactive | streaming } } { thp thp_value } { sig-ind
indicator_value } { src-stat-desc value } { min-transfer-delay value } { sdu
error-ratio value } } | qci value }
  end
```

**Note**

- **pre-rel8-qos-mapping** defines (MME) mapping of EPC QoS (non-standard QCIs) to 3GPP PreRelease8 QoS parameters.
- **qci** indicates the QoS class. Its value ranges from 1 to 9. When QCI is configured, the corresponding mapping takes place based on 3GPP TS 23.401.
- **class** indicates the UMTS traffic classified into the following categories:
  - **background**
  - **conversational**
  - **interactive**
  - **streaming**
- **thp** Traffic handling priority specifies the relative importance of handling all SDUs that belong to the UMTS bearer compared to the SDUs of other bearers. The priority value ranges from 1 to 3, where the value 1 holds the highest priority. The predefined thp value is 3
- **sig-ind** toggles the state of the signal. The values are either 0 or 1.
- **src-stat-desc** toggles the state of the signal. The values are either 0 or 1.
- **sdue-error-ratio** Service Data Unit (SDU) Error ratio indicates the fraction of SDUs lost or detected as error packets. SDU error ratio is defined only for conforming traffic. The range is an integer ranging from 1 to 7. The ratio ranges from  $10^{-1}$  to  $10^{-6}$ . Allowed values are  $1(10^{-2})$ ,  $2(7*10^{-3})$ ,  $3(10^{-3})$ ,  $4(10^{-4})$ ,  $5(10^{-5})$ ,  $6(10^{-6})$  and  $7(10^{-1})$ . The predefined minimum value is 1.
- **min-transfer-delay** defines the maximum delay for 95th percentile of the delay distributed for all delivered SDUs during the lifetime of a bearer service. The delay value ranges from 10 to 40,000 milliseconds. The predefined minimum value is 100.

The delay for an SDU is defined as the time from request to transfer and SDU at one SAP to its delivery at the other SAP.

## Monitoring and Troubleshooting Operator Specific QCI

This section provides information on how to monitor and troubleshoot the Non-Standard and Operator Specific QCI Support feature.

For information on troubleshooting, please refer to the Monitoring and Troubleshooting section in the *QoS Profile Support* chapter in the *MME Administration Guide*

### Non-Standard and Operator Specific QCI Support Show Command(s) and/or Outputs

Monitor the configuration of Non-Standard and Operator Specific QCI feature, by using the following command:

**show quality-of-service-profile full all**

On executing the above show command, the following new field is displayed:

- Operator Defined QCI

**show bearer-control-profile full all**

This command is used to display QoS parameters configured for mapping Operator Specific QCI to 3GPP Pre-Release8 parameters

On executing the above command, the following new fields are displayed:

- pre-rel8-qos-mapping
  - Class
  - traffic handling priority
  - sdu error ratio
  - minimum transfer delay
  - source stats descriptor
  - signaling indication
  - QCI value

**show mme-service statistics esm-only verbose**

A new counter is added to monitor Operator Specific QCIs. This command is used to display the total number of bearers using Operator Specific QCIs.

On executing the above command, the following fields are displayed:

Bearer Statistics:

All Bearers: 0 Connected Bearers: 0

Idle Bearers: 0

Bearers Using Operator-Specific QCI:

All Bearers: 0 Connected Bearers: 0

Idle Bearers: 0



## CHAPTER 79

# Operator Policy Selection Based on IMEI-TAC

- [Feature Description, on page 733](#)
- [How It Works, on page 734](#)
- [Configuring Operator Policy Selection Based on IMEI-TAC, on page 735](#)
- [Monitoring and Troubleshooting the Operator Policy Selection Based on IMEI-TAC, on page 738](#)

## Feature Description

Operator policies (proprietary Cisco functionality) empower the carrier/network operators to configure preferred call handling practices. Also, operator policies can be configured to determine the granularity of the implementation: to groups of incoming calls or simply to one single incoming call. The purpose, use, and configuration of operator policies is outlined in the *Operator Policy* chapter elsewhere in this guide.

Based on the configuration (see *Configuring Operator Policy Based on IMEI-TAC*), the MME will select / re-select the operator policy whenever the MME retrieves the IMEI or IMEI-SV in one of the following scenario:

- normal 4G Attach when the IMEI/IMEI-SV is retrieved via Identity-Request with IMEI.
- normal 4G Attach when the IMEI/IMEI-SV is retrieved via Security-Mode-Complete (**policy attach imei-query-type** under MME service must be enabled).
- normal 4G TAU when the IMEI/IMEI-SV is retrieved via Security-Mode-Complete (**policy tau imei-query-type** under MME service must be enabled).
- inbound handover when IMEI/IMEI-SV is received with IMSI via the Forward-Relocation-Request.
- S10 and S3 Attaches when IMEI/IMEI-SV is retrieved with IMSI via EGTP-Identification-Request.
- Inter-RAT TAU and Intra-RAT TAU with MME change when IMEI/IMEI-SV is received with IMSI in Context-Response.

### Selection Based on IMEI-TAC

With Releases 18.5 and higher, "Operator Policy Selection Based on IMEI-TAC" enables the MME to select / re-select an operator policy for call handling *based on the user equipment's (UE's) unique international mobile equipment identity - type allocation code (IMEI-TAC)* rather than the normal selection method, which is based on the UE's international mobile subscriber identity (IMSI) and PLMN-ID. The IMEI number is assigned to a mobile device or user equipment (UE) by the manufacturer. The network uses the IMEI to identify if devices are valid.

Including the type allocation code (TAC) in the operator policy selection process supports network access restrictions being applied to UEs based on the type of wireless device identified by the IMEI-TAC. The TAC,

the first eight digits of the 15-digit IMEI or 16-digit IMEI-SV, identifies the equipment manufacturer, the wireless device type and the model number (if there is one); for example, TAC of 35201906 identifies an Apple iPhone 5S.

### IMEI-TAC Groups

With Release 18.6 and higher, the MME supports configuration of up to 25,000 IMEI-TAC, up from the original number of 1024 IMEI-TAC per MME. As well, these IMEI-TAC can be configured in groups listing individual IMEI-TAC and/or organized in ranges of IMEI-TAC. Up to 50 IMEI-TAC groups can be configured per MME and once an IMEI-TAC group is created, each group can be configured with up to 500 unique IMEI-TAC values and/or up to 20 IMEI-TAC ranges - which can overlap. For command details, refer to the *Configuration* section below.

### Granular Selection Options for IMEI-TAC: MCC/MNC, MSIN, PLMNID

With Release 19.4 and higher, the operator is allowed more granular control of configuration for operator policy selection. Besides operator policy selection based on IMEI-TAC of the UE, the operator can optionally configure selection based on:

1. IMEI-TAC only,
2. IMEI-TAC + Service PLMNID,
3. IMEI-TAC + MCC-MNC of UE,
4. IMEI-TAC + MCC-MNC of UE + Serving PLMNID,
5. IMEI-TAC + IMSI,
6. IMEI-TAC + IMSI + Serving PLMNID,

The MME uses this configuration to select the operator policy whenever it retrieves the IMEI/IMEI-SV from either a UE or a peer for all non-emergency calls.

## How It Works

Based on the configuration (see *Configuring Operator Policy Based on IMEI-TAC*), the MME will select / re-select the operator policy whenever the MME retrieves the IMEI or IMEI-SV in one of the following scenario:

- normal 4G Attach when the IMEI/IMEI-SV is retrieved via Identity-Request with IMEI.
- normal 4G Attach when the IMEI/IMEI-SV is retrieved via Security-Mode-Complete ( **policy attach imei-query-type** under MME service must be enabled).
- normal 4G TAU when the IMEI/IMEI-SV is retrieved via Security-Mode-Complete ( **policy tau imei-query-type** under MME service must be enabled).
- inbound handover when IMEI/IMEI-SV is received with IMSI via the Forward-Relocation-Request.
- S10 and S3 Attaches when IMEI/IMEI-SV is retrieved with IMSI via EGTP-Identification-Request.
- Inter-RAT TAU and Intra-RAT TAU with MME change when IMEI/IMEI-SV is received with IMSI in Context-Response.



### Supported Options

With this feature, the MME supports location-based restriction based on the IMEI-TAC. The MME Service configuration must include settings to instruct the MME to retrieve/query the IMEI/IMEI-SV for Attach and TAU. Refer to *Configuring Policy Selection for Normal 4G Attach/TAU*.

### Restrictions

For all emergency calls, the MME selects the emergency profile and not an operator policy based on IMEI-TAC configuration.

Currently, the MME allows a maximum of 1024 associations of operator policy to the key where the key can be any of the following: IMSI, SERVICE PLMN-ID, SSI-ID, Domain, IMEI-TAC and ALL.

## Configuring Operator Policy Selection Based on IMEI-TAC

There are multiple components involved in the configuration of this feature. We recommend that for first time feature configuration, you perform the configurations in the order in which they are presented below.

Configuration of this feature makes use of many previously existing commands and keywords. Only new or modified commands and keywords are explained in detail in this document.

### Configuring the Operator Policy(s) and Call Control Profile(s)

We recommend that you first configure the operator policy and call control profile and make a note of the names you assign the policy and profile.

```
configure
operator-policy name policy_name
  associate call-control-profile name profile_name
  exit
call-control-profile name profile_name
end
```

Notes:

- For information about these commands and keywords, refer to the *Command Line Interface Reference*.

### Configuring Policy Selection for Normal 4G Attach/TAU

To enable the MME to retrieve the IMEI from the UE, the following MME service configuration is required. The following configures the Operator Policy selection based on IMEI-TAC for normal 4G Attach or normal 4G TAU when the IMEI/IMEI-SV is retrieved via Security-Mode-Complete. After the operator policy and call control profile are configured, then perform the additional configuration of the **imei-query-type** for the MME service.

```
configure
context context_name
  mme-service name service_name
    policy { attach | tau } imei-query-type { imei | imei-sv }
  verify-equipment-identity [ allow-on-eca-timeout | deny-greylisted |
```

```
deny-unknown | verify-emergency ]
end
```

Notes:

- The command listed above are not new for this feature. For information about these commands and keywords, refer to the *Command Line Interface Reference*.

## Configuring IMEI-TAC based Selection of the Operator Policy




---

**Important** The operator policy(s), call-control profile(s), and IMEI-TAC group(s) need to be configured already and according to the instructions above.

---

To setup IMEI-TAC-based operator policy selection, use the **precedence** command in the LTE Subscriber Map configuration mode to:

- set the order of precedence for the subscriber map,
- set which type of matching criteria is to be used to determine which operator policy to select - for this procedure, use the **imei-tac** keyword,
- optionally, set more granular IMEI-TAC matching criteria, either singly or in pairs:
  - mcc + mnc
  - imsi
  - service-plmnid
- point to an operator policy for subscribers meeting the match criteria.




---

**Important** The following example details configuration for IMEI-TAC-based selection. Other match criteria options are not included here. For more information on configuration options, refer to the *Command Line Interface Reference*.

---

```
configure
lte-policy
subscriber-map map_name
precedence precedence_number match-criteria imei-tac group group_name [
imsi mcc mcc mnc mnc
[ msin { first start_msin_value last end_msin_value } ] ] [ operator-policy-name
policy_name
no precedence precedence_number
end
```

Notes:

- **precedence precedence\_number**- The precedence level defined by the operator is used to resolve the selection of the operator policy when multiple variable combinations match for a particular UE. The lower precedence number takes greater priority during selection.

In releases prior to 21.8: *precedence\_number* must be an integer from 1 to 1024.

In 21.8 and later releases: *precedence\_number* must be an integer from 1 to 10000, where 1 has the highest precedence.

- **match-criteria** - Selects which set of variables will be 'matched-to' to select an operator policy. For this procedure, use the **imei-tac** keyword to select the IMEI-TAC group as the matching criteria. For more granular match criteria, include the following singly or in pairs: IMSI and/or MCC+MNC and/or serving PLMNID in accordance with the following usage options:

- Operator policy selection based on IMEI-TAC only, syntax example:

```
precedence 1 match-criteria imei-tac-group myGroup
operator-policy-name BESTpol
```

- Operator policy selection based on IMEI-TAC + Service PLMNID, syntax example:

```
precedence 1 match-criteria imei-tac-group myGroup service-plmnid
12345
operator-policy-name BESTpol
```

- Operator policy selection based on IMEI-TAC + MCC-MNC of UE, syntax example:

```
precedence 1 match-criteria imei-tac-group myGroup imsi mcc 123
mnc 234 operator-policy-name BESTpol
```

- Operator policy selection based on IMEI-TAC + MCC-MNC of UE + Serving PLMNID, syntax example:

```
precedence 1 match-criteria imei-tac-group myGroup imsi mcc 123
mnc 234 service-plmnid 56789 operator-policy-name BESTpol
```

- Operator policy selection based on IMEI-TAC + IMSI, syntax example:

```
precedence 1 match-criteria imei-tac-group myGroup imsi mcc 123
mnc 234 msin first 1223 last 2333 operator-policy-name BESTpol
```

- Operator policy selection based on IMEI-TAC + IMSI + Serving PLMNID, syntax example:

```
precedence 1 match-criteria imei-tac-group myGroup imsi mcc 123
mnc 234 msin first 1223 last 2333 service-plmnid 56789
operator-policy-name BESTpol
```

- **group** *group\_name* - Identifies the name of the previously-defined IMEI-TAC group with the configured IMEI-TAC values to use for matching. The group name is a string of 1 through 64 alphanumeric characters.
- **operator-policy-name** *policy\_name* - Configures the name of the operator policy to which selection should be pointed after the criteria matching is completed. The policy name is a string of 1 through 63 alphanumeric characters.
- For more information about the **lte-policy**, **subscriber-map**, and the **precedence** commands, refer to the *LTE Subscriber MAP Configuration Mode* chapter in the *Command Line Interface Reference* .

## Verifying the Configuration

From the Exec mode, use the following to verify the configuration for operator policy selection based on IMEI-TAC:

**show configuration**

The following is an example of the type of information that would be presented in the show output:

```
config
... ..
lte-policy
  subscriber-map submap1
    precedence 1 match-criteria imei-tac group itacgrp1 operator-policy-name oppol1
    precedence 2 match-criteria imei-tac group imeitacgrp1 service-plmnid 12345
operator-policy-name op2
  precedence 3 match-criteria imei-tac group imeitacgrp2 operator-policy-name opl
exit
imei-tac-group itacgrp1
  tac 31441551 77777777 87650506 87654321
  tac-range from 23456789 to 98765432
exit
imei-tac-group imeitacgrp1
  tac 01192119 66666666 87650999 98765432
  tac-range from 11001100 to 11111111
... ..
exit
... ..
end
```

# Monitoring and Troubleshooting the Operator Policy Selection Based on IMEI-TAC

## Verify Configuration

Use the following show commands to verify the configuration to ensure that it is correct:

- **show operator policy full** { all | name *policy\_name* }
- **show call-control-profile full** { all | name *profile\_name* }
- **show mme-service name** *service\_name*
- **show lte-policy subscriber-map name** *map\_name*
- **show lte-policy imei-tac-group summary**
- **show lte-policy imei-tac-group name** *group\_name*



## CHAPTER 80

# Overcharging Protection

---

Overcharging Protection helps to avoid charging subscribers for dropped downlink packets while the UE is in idle-mode.

- [Feature Description, on page 739](#)
- [How It Works, on page 740](#)
- [Configuring Overcharge Protection, on page 741](#)

## Feature Description

For Non-GBR (Guaranteed Bit Rate) 4G bearers, the P-GW is not aware when the UE loses radio coverage, and will continue to forward and charge downlink packets, which can result in overcharging of subscribers. 3GPP does not specify a standard solution to deal with such scenarios.

A typical example is when a subscriber drives into a tunnel while having an active download session. Downlink packets will be counted in P-GW before discarded later in S-GW due to the UE not responding to paging.

The subscriber may lose coverage while connected to a particular MME/S-GW and later regain coverage in the same or different MME/S-GW.

The subscriber may lose coverage in 4G and regain coverage in 2G/3G, or vice versa.

Gn and S3/S4 based network architecture may be used in the case of Loss of Radio Coverage.

A valid license key is required to enable Overcharge Protection on the MME. Contact your Cisco Account or Support representative for information on how to obtain a license.

## Relationships to Other Features

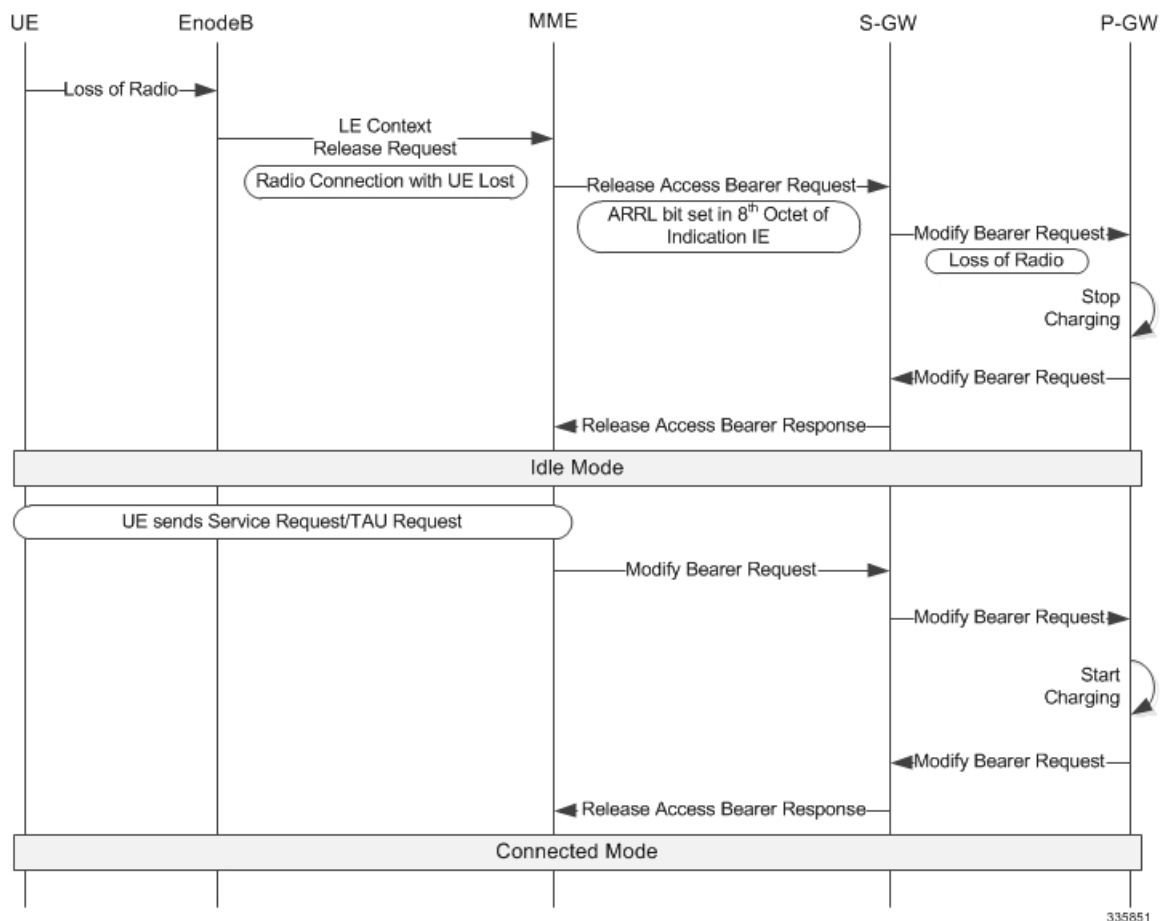
Overcharging protection on the MME requires separate overcharging protection licenses on the S-GW and P-GW.

# How It Works

## Call Flows

The following diagram depicts the call flow when a UE loses radio access, and then later regains access, as it relates to overcharging protection.

**Figure 74: Overcharging Protection Call Flow**



Overcharging protection in MME is triggered by a UE Context Release Request from the eNodeB. This request can come to MME when UE is in EMM connected/connecting mode.

On receiving the UE Context Release Request, the MME checks the radio cause in the received message against the configured overcharging protection cause code.

If the configured cause code matches the received cause code, the MME sends Loss of Radio Contact using ARRL (Abnormal Release of Radio Link) bit in the Release Access Bearer Request (GTPv2 message) to the S-GW. The ARRL (Abnormal Release of Radio Link) is bit 7 in the 8th Octet of Indication IE of Release Access Bearer Req message.

On Receiving ARRL indication in Release Access Bearer Request , the S-GW will inform the P-GW to stop charging.

When the radio contact is resumed in the 4G network, the Modify Bearer Req will enable the P-GW to start charging again.

The ARRL bit is supported only in Release Access Bearer Request message by MME.

## Configuring Overcharge Protection

### Enabling Overcharging Protection

To enable overcharging protection for a specific MME service, issue the following commands:

```
configure
  context context_name
    mme-service svc_name
      policy overcharge-protection slap-cause-code-group group_name
    end
```

To disable overcharging protection:

```
no policy overcharge-protection
```

### Configuring S1AP Cause Code Group and Cause Code

To configure the S1AP Cause Code Group and S1AP cause code "Radio Connection With UE Lost (21)":

```
configure
  lte-policy
    cause-code-group group_name protocol slap
      class radio cause radio_cause_code
    end
```

Notes:

- For example, to define a cause code group for the code "Radio Connection With UE Lost", enter: **class radio cause 21**

### Verifying the Overcharge Protection Configuration

The **Overcharge Protection** field has been added to the output of **show mme-service name *service\_name*** to display the configuration of this feature, either "Not configured" or showing the configured S1-AP cause code group name:

```
Policy Inter-RAT Indirect Fwd Tunnels : Never
Policy Inter-RAT Ignore SGSN ContextID : Disabled
Policy S1-Reset : Idle-Mode-Entry
Overcharge Protection : Cause Code Group grp1
```







# CHAPTER 81

## Paging Priority IE Support

- [Feature Description, on page 743](#)
- [How It Works, on page 744](#)
- [Configuring Paging Priority Support for CSFB Calls, on page 747](#)
- [Monitoring and Troubleshooting the Paging Priority Support for CSFB Calls, on page 748](#)
- [Support and Troubleshooting Information, on page 749](#)

### Feature Description

This feature is developed to provide Paging Priority support on the MME. Paging priority support is provided for Mobile Originating and Mobile Terminating CSFB calls.

**Mobile Terminating CSFB calls:** Mobile terminating CSFB calls are prioritized by providing paging priority information to the eNodeB during CSFB calls; the eNodeB in turn pages the UEs accordingly. If the MME is configured to send paging priority to the eNodeB, when a paging request message is received on the SGs interface with an indication of the eMLPP priority level, the MME sends the paging priority value in the S1AP paging message request to the eNodeB.

**Mobile Originating CSFB calls:** In Mobile originating CSFB calls if the UE is subscribed for eMLPP services, the MME uses the mps-cs-priority received in the subscription to set the priority as "CSFB High Priority" in "CS Fallback Indicator IE". This priority value is sent in the S1AP UE Context Setup/Modification message to the eNodeB, the eNodeB then initiates the CSFB procedure with priority.



---

**Important** This feature is license controlled. Please consult your Cisco Account Representative for information about the specific license.

---



---

**Important** Paging Priority is supported for Packet Switched traffic. The MME also supports eMPS (Enhanced Multimedia Priority Support) for both PS and CS domains. For more information see, feature chapter for Enhanced Multimedia Priority Service.

---

## Architecture

Paging priority IE support is implemented in a network which supports CSFB priority call handling. When a call is received with an eMLPP Priority level indication, the VLR/MSC sends this value of priority level indication in the eMLPP priority information element as a part of SGs AP PAGING-REQUEST message to the MME. MME propagates this eMLPP priority as paging priority information element in S1AP paging-request message to eNodeB.

If MPS-Priority AVP is present and the UE is subscribed to the eMLPP or 1x RTT priority service in the CS domain as indicated by the MPS-CS-Priority bit of the AVP, the MME allows the UE to initiate the RRC connection with higher priority than other normal UEs during CS Fallback procedure.

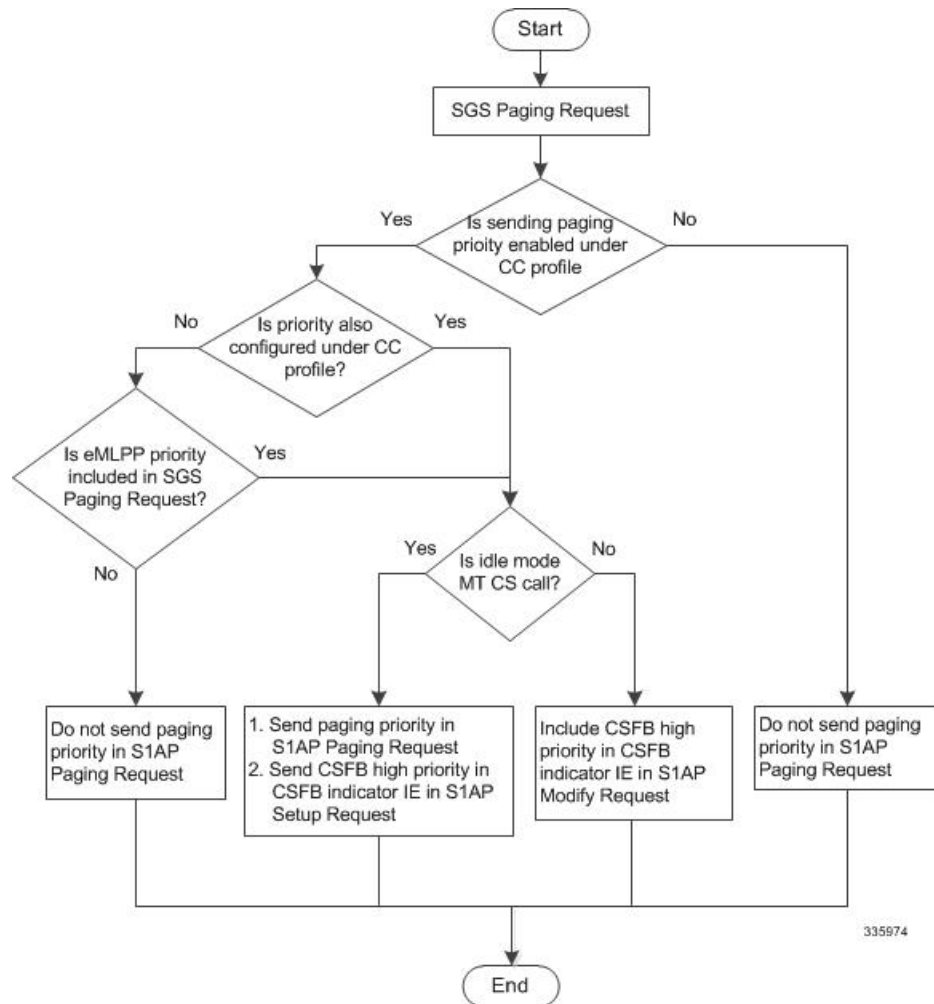
The MME uses the MPS-Priority received in subscription and sets CSFB fallback high priority in "CS Fallback Indicator IE" in the S1AP UE Context Setup/Modification in S1AP UE Context Setup/Modification messages.

## How It Works

The MME relays the eMLPP priority value received from MSC/VLR as paging priority-ie in S1AP paging-request message to eNodeBs. With the implementation of this feature a new CLI command **paging-priority cs** is introduced under the Call Control Profile configuration mode through which the operator can configure the system to control sending of the paging priority value to the eNodeB. The operator can configure the system to ignore the eMLPP priority value received from MSC and configure the MME to send user-defined value as paging-priority to eNodeB. The operator can also choose to completely ignore eMLPP priority and disable sending priority value. Operator can configure the system to send paging priority IE always in S1AP Paging request irrespective of whether MSC/VLR include/supports eMLPP priority or not. This applicable to mobile terminating CS fall back call.

The following flowchart illustrates the paging priority support provided for Mobile Terminating CSFB calls:

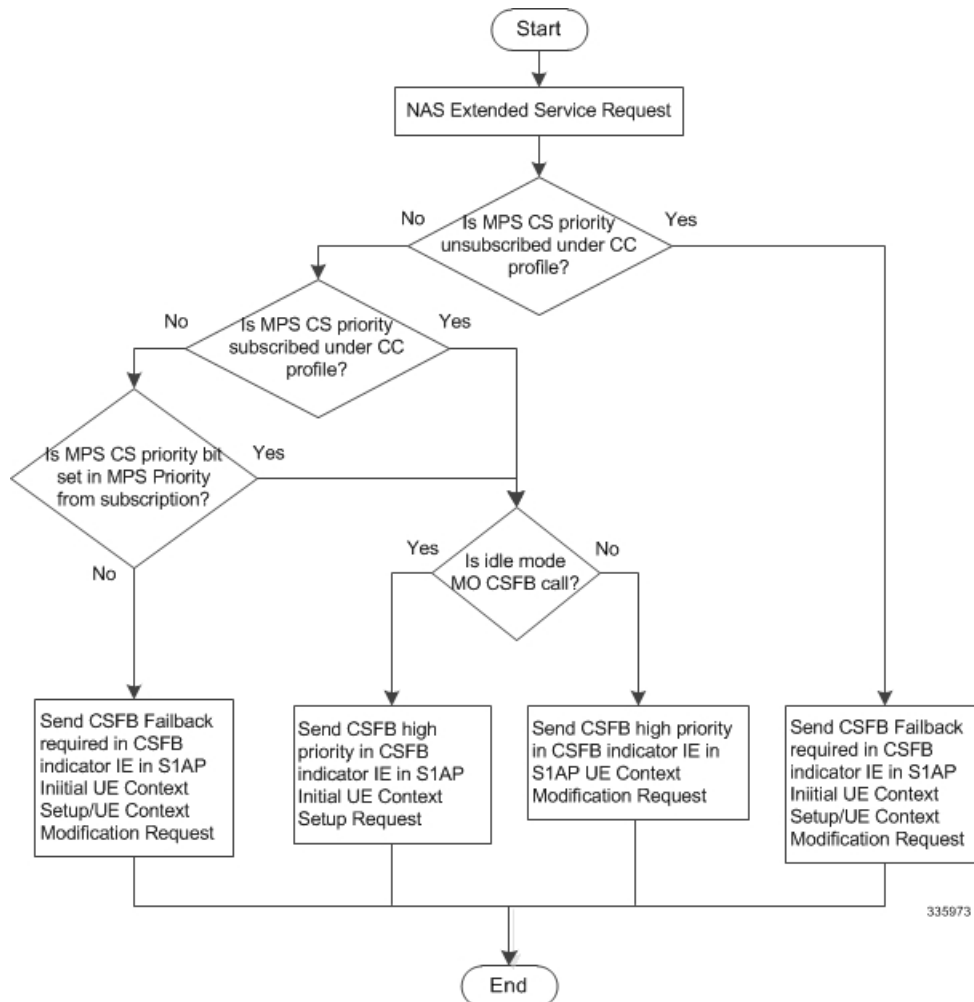
Figure 75: Paging Priority Support for Mobile Terminating CSFB Calls



A new CLI command **mps cs-priority** has been introduced under the Call Control Profile Configuration mode to control the handling of MPS-CS-Priority received in the subscription. If MME receives mps-cs-priority in the subscription, it sets the "CS Fallback Indicator IE" to "CSFB high priority" in the S1AP Context Setup/Modification. The Operator can choose to override the mps cs-priority using this CLI command. The MME shall set "CSFB high priority" in "CS Fallback Indicator IE" if either the subscription contains mps-cs priority OR the mps cs-priority subscribed CLI is configured. Similarly, MME shall not set "CSFB high priority" in "CS Fallback Indicator IE" if either the subscription does not have mps-cs priority OR the mps cs-priority none is configured. This is applicable to mobile originated CSFB call.

The following flowchart illustrates the paging priority support provided for Mobile Originating CSFB calls:

Figure 76: Paging Priority Support for Mobile Originating CSFB Calls



For more information see the configuration section for Paging Priority support in this feature chapter.

## Limitations

- Inclusion of Additional CSFB indicator for CSFB MO Emergency calls is not supported

## Standards Compliance

Paging priority support complies with the following 3GPP standards:

- 3GPP TS 36.413
- 3GPP TS 29.272
- 3GPP TS 29.118

## Configuring Paging Priority Support for CSFB Calls

The following commands are configured to provide paging priority support for Mobile Originating CSFB calls and Mobile Terminating CSFB calls.

### Configuring Paging Priority Support for Mobile Terminating CSFB calls

The following new CLI command under the Call Control profile configuration mode is configured to support sending of paging-priority value in S1AP paging-request message to the eNodeB. This command helps the operator to prioritize the Mobile terminated CSFB voice calls of a set of subscribers irrespective of them subscribed for eMLPP services or not.

```
configure  
  call-control-profile cc_profile_name  
    [remove] paging-priority cs value  
  exit
```

#### NOTES:

- By default, sending of paging priority-ie in S1AP paging-request message to eNodeBs is enabled. The priority value received from the MSC/VLR is relayed to the eNodeB.
- The keyword **cs** is used to configure the value of paging-priority sent to eNodeB for CS paging. The paging priority value is an integer in the range "0" up to "7". Configuring a value of "0" disables sending of paging priority value to eNodeB.
- A lower value of paging priority indicates a higher priority.
- Older values of paging priority are overridden by configuring new values.
- The **remove** keyword deletes the existing configuration.

Usage example:

The following command is issued to disable sending of paging priority value to the eNodeB:

```
paging-priority cs 0
```

The following command enables sending of paging priority value to the eNodeB, a priority value of "5" is configured using this command:

```
paging-priority cs 5
```

### Configuring MPS CS priority subscription override for Mobile Originating CSFB calls

The following new CLI command under the Call Control profile configuration mode is configured to support multimedia priority service in the CS domain. This command helps the operator to prioritize the Mobile originating voice calls of a set of subscribers irrespective of them subscribed for eMLPP services or not.

```
configure  
  call-control-profile cc_profile_name
```

```
[remove] mps cs-priority { subscribed | none }
exit
```

Notes:

- By default MME sets the value of "CS fallback indicator IE" as "CSFB High Priority" in the S1AP UE Context Setup/Modification if the MPS-CS-Priority value is set in "MPS-Priority" in EPS Subscription from HSS
- The keyword **cs-priority** configures support for priority service in the CS domain.
- The keyword **subscribed** configures support for priority service in the CS domain. The "CS Fallback Indicator IE" is set to "CSFB High Priority" in the S1AP UE Context Setup/Modification message.
- The keyword **none** configures disables support for priority service in the CS domain. The "CS Fallback Indicator IE" is set to "CSFB Required" in the S1AP UE Context Setup/Modification message.
- The **remove** keyword deletes the existing configuration.

Usage example:

The following command is issued to set "CSFB High Priority" for "CS Fallback Indicator IE", in the S1AP UE Context Setup/Modification message:

```
mps cs-priority subscribed
```

The following command is issued to set "CSFB Required" for "CS Fallback Indicator IE", in the S1AP UE Context Setup/Modification message:

```
mps cs-priority none
```

## Monitoring and Troubleshooting the Paging Priority Support for CSFB Calls

This section provides information on the show commands available to monitor and troubleshoot paging priority support for CSFB calls.

### Paging Priority Support Show Command(s) and/or Outputs

This section provides information regarding show commands and/or their outputs in support of the Paging priority support in CSFB calls.

#### show call-control profile full all

The following new fields are added to the show output to display the paging priority configuration for Mobile originating and terminating CSFB calls:

- Paging priority to be sent to eNodeB: If paging priority support is enabled this field displays the configured value of paging priority sent to eNodeB for CS paging. For example, if the paging priority value is set to "1", this field is displayed as "Enabled with value: 1". If paging priority support is disabled this field is displayed as "Disabled".
- MPS CS priority: Is displayed as either "Subscribed" or "None" based on the configuration.

## Support and Troubleshooting Information

This section describes trouble shooting information for the Paging Priority support in CSFB calls. If paging priority is not being sent to the eNodeB during mobile terminating CS call, verify the following:

- Verify if eMLPP priority is received from MSC/VLR in SGs-AP Paging-Request message.
- Ensure that sending of paging-priority to eNodeB is not disabled in the call control profile configuration. Execute the show command **show call-control-profile full all** to verify the configuration. The field **Paging priority to be sent to eNodeB** displays the configuration information as either **Disabled** or **Enabled with value <1...7>**.
- Ensure that subscriber under test hits any of the call control profile configured in the system. If the subscriber does not fall under any ccp, then also paging priority will not be sent to eNB.

If CSFB Fall back IE is not set to "CSFB high priority" in S1AP UE context setup/modification during mobile originating CS call, verify the following:

- Verify the configuration; ensure that setting of CSFB high priority is not disabled under Call Control profile. Execute the show command **show call-control-profile full all** to verify the configuration. The field **MPS CS priority** displays the configuration as either **Subscribed** or **None** or **Not Configured**.
- Ensure that the **mpps cs priority** bit is set in MPS Priority AVP in subscription received.







# CHAPTER 82

## Paging Statistics per TAI

This chapter describes the following topics:

- [Feature Summary and Revision History](#), on page 751
- [Feature Changes](#), on page 752

### Feature Summary and Revision History

#### Summary Data

Applicable Product(s) or Functional Area	MME
Applicable Platform(s)	<ul style="list-style-type: none"><li>• ASR 5500</li><li>• <i>VPC-DI</i></li><li>• <i>VPC-SI</i></li></ul>
Feature Default	Enabled - Always On
Related Changes in This Release	Not applicable
Related Documentation	<ul style="list-style-type: none"><li>• <i>MME Administration Guide</i></li><li>• <i>Statistics and Counters Reference</i></li></ul>

#### Revision History



**Important** Revision history details are not provided for features introduced before releases 21.2 and N5.1.

Revision Details	Release
New egress and ingress paging statistics are added at TAI level.	21.5.5
First introduced.	Pre 21.2

## Feature Changes

Paging statistics introduced at TAI level.

**Previous Behavior:** Paging statistics were not available at TAI level.

**New Behavior:** In this release paging statistics are introduced at TAI level.

The following table lists new statistics in the TAI Schema:

**Table 56: TAI Schema**

Counter Name	Description
tai-s1-paging-tx	Total number of S1 Paging message sent by MME.
tai-ps-qci-1-paging-init-events-attempted	The total number of ECM statistics-related PS Paging Initiation Events that were attempted. Individual statistics are provided for the specified QoS Class Identifier (QCI) value (1-9).
tai-ps-qci-1-paging-init-events-success	The total number of ECM Statistics-related PS Paging Initiation Events that were successful. Individual statistics are provided for the specified QoS Class Identifier (QCI) value (1-9).
tai-ps-qci-1-paging-init-events-failures	The total number of ECM Statistics-related PS Paging Initiation Events that failed. Individual statistics are provided for the specified QoS Class Identifier (QCI) value (1-9).
tai-ps-qci-1-paging-last-tai-success	The total number of ECM Statistics-related PS Paging Initiation Events that succeeded at an eNodeB in the TAI from which the UE was last heard. Individual statistics are provided for the specified QoS Class Identifier (QCI) value (1-9).
tai-ps-qci-1-paging-tai-list-success	The total number of ECM Statistics-related PS Paging Initiation Events that succeeded at an eNodeB in all TAIs present in the TAI list assigned to the UE. Individual statistics are provided for the specified QoS Class Identifier (QCI) value (1-9).
tai-ps-qci-2-paging-init-events-attempted	The total number of ECM statistics-related PS Paging Initiation Events that were attempted. Individual statistics are provided for the specified QoS Class Identifier (QCI) value (1-9).
tai-ps-qci-2-paging-init-events-success	The total number of ECM Statistics-related PS Paging Initiation Events that were successful. Individual statistics are provided for the specified QoS Class Identifier (QCI) value (1-9).

Counter Name	Description
tai-ps-qci-2-paging-init-events-failures	The total number of ECM Statistics-related PS Paging Initiation Events that failed. Individual statistics are provided for the specified QoS Class Identifier (QCI) value (1-9)
tai-ps-qci-2-paging-last-enb-success	The total number of ECM Statistics-related PS Paging Initiation Events that succeeded at the last known eNodeB. Individual statistics are provided for the specified QoS Class Identifier (QCI) value (1-9)
tai-ps-qci-2-paging-last-tai-success	The total number of ECM Statistics-related PS Paging Initiation Events that succeeded at an eNodeB in the TAI from which the UE was last heard. Individual statistics are provided for the specified QoS Class Identifier (QCI) value (1-9)
tai-ps-qci-2-paging-tai-list-success	The total number of ECM Statistics-related PS Paging Initiation Events that succeeded at an eNodeB in all TAIs present in the TAI list assigned to the UE. Individual statistics are provided for the specified QoS Class Identifier (QCI) value (1-9)
tai-ps-qci-3-paging-init-events-attempted	The total number of ECM statistics-related PS Paging Initiation Events that were attempted. Individual statistics are provided for the specified QoS Class Identifier (QCI) value (1-9)
tai-ps-qci-3-paging-init-events-success	The total number of ECM Statistics-related PS Paging Initiation Events that were successful. Individual statistics are provided for the specified QoS Class Identifier (QCI) value (1-9)
tai-ps-qci-3-paging-init-events-failures	The total number of ECM Statistics-related PS Paging Initiation Events that failed. Individual statistics are provided for the specified QoS Class Identifier (QCI) value (1-9)
tai-ps-qci-3-paging-last-enb-success	The total number of ECM Statistics-related PS Paging Initiation Events that succeeded at the last known eNodeB. Individual statistics are provided for the specified QoS Class Identifier (QCI) value (1-9)
tai-ps-qci-3-paging-last-tai-success	The total number of ECM Statistics-related PS Paging Initiation Events that succeeded at an eNodeB in the TAI from which the UE was last heard. Individual statistics are provided for the specified QoS Class Identifier (QCI) value (1-9)

Counter Name	Description
tai-ps-qci-3-paging-tai-list-success	The total number of ECM Statistics-related PS Paging Initiation Events that succeeded at an eNodeB in all TAIs present in the TAI list assigned to the UE. Individual statistics are provided for the specified QoS Class Identifier (QCI) value (1-9)
tai-ps-qci-4-paging-init-events-attempted	The total number of ECM statistics-related PS Paging Initiation Events that were attempted. Individual statistics are provided for the specified QoS Class Identifier (QCI) value (1-9)
tai-ps-qci-4-paging-init-events-success	The total number of ECM Statistics-related PS Paging Initiation Events that were successful. Individual statistics are provided for the specified QoS Class Identifier (QCI) value (1-9)
tai-ps-qci-4-paging-init-events-failures	The total number of ECM Statistics-related PS Paging Initiation Events that failed. Individual statistics are provided for the specified QoS Class Identifier (QCI) value (1-9)
tai-ps-qci-4-paging-last-enb-success	The total number of ECM Statistics-related PS Paging Initiation Events that succeeded at the last known eNodeB. Individual statistics are provided for the specified QoS Class Identifier (QCI) value (1-9)
tai-ps-qci-4-paging-last-tai-success	The total number of ECM Statistics-related PS Paging Initiation Events that succeeded at an eNodeB in the TAI from which the UE was last heard. Individual statistics are provided for the specified QoS Class Identifier (QCI) value (1-9)
tai-ps-qci-4-paging-tai-list-success	The total number of ECM Statistics-related PS Paging Initiation Events that succeeded at an eNodeB in all TAIs present in the TAI list assigned to the UE. Individual statistics are provided for the specified QoS Class Identifier (QCI) value (1-9)
tai-ps-qci-5-paging-init-events-attempted	The total number of ECM statistics-related PS Paging Initiation Events that were attempted. Individual statistics are provided for the specified QoS Class Identifier (QCI) value (1-9)
tai-ps-qci-5-paging-init-events-success	The total number of ECM Statistics-related PS Paging Initiation Events that were successful. Individual statistics are provided for the specified QoS Class Identifier (QCI) value (1-9)

Counter Name	Description
tai-ps-qci-5-paging-init-events-failures	The total number of ECM Statistics-related PS Paging Initiation Events that failed. Individual statistics are provided for the specified QoS Class Identifier (QCI) value (1-9)
tai-ps-qci-5-paging-last-enb-success	The total number of ECM Statistics-related PS Paging Initiation Events that succeeded at the last known eNodeB. Individual statistics are provided for the specified QoS Class Identifier (QCI) value (1-9)
tai-ps-qci-5-paging-last-tai-success	The total number of ECM Statistics-related PS Paging Initiation Events that succeeded at an eNodeB in the TAI from which the UE was last heard. Individual statistics are provided for the specified QoS Class Identifier (QCI) value (1-9)
tai-ps-qci-5-paging-tai-list-success	The total number of ECM Statistics-related PS Paging Initiation Events that succeeded at an eNodeB in all TAIs present in the TAI list assigned to the UE. Individual statistics are provided for the specified QoS Class Identifier (QCI) value (1-9)
tai-ps-qci-6-paging-init-events-attempted	The total number of ECM statistics-related PS Paging Initiation Events that were attempted. Individual statistics are provided for the specified QoS Class Identifier (QCI) value (1-9)
tai-ps-qci-6-paging-init-events-success	The total number of ECM Statistics-related PS Paging Initiation Events that were successful. Individual statistics are provided for the specified QoS Class Identifier (QCI) value (1-9)
tai-ps-qci-6-paging-init-events-failures	The total number of ECM Statistics-related PS Paging Initiation Events that failed. Individual statistics are provided for the specified QoS Class Identifier (QCI) value (1-9)
tai-ps-qci-6-paging-last-enb-success	The total number of ECM Statistics-related PS Paging Initiation Events that succeeded at the last known eNodeB. Individual statistics are provided for the specified QoS Class Identifier (QCI) value (1-9)
tai-ps-qci-6-paging-last-tai-success	The total number of ECM Statistics-related PS Paging Initiation Events that succeeded at an eNodeB in the TAI from which the UE was last heard. Individual statistics are provided for the specified QoS Class Identifier (QCI) value (1-9)

Counter Name	Description
tai-ps-qci-6-paging-tai-list-success	The total number of ECM Statistics-related PS Paging Initiation Events that succeeded at an eNodeB in all TAIs present in the TAI list assigned to the UE. Individual statistics are provided for the specified QoS Class Identifier (QCI) value (1-9)
tai-ps-qci-7-paging-init-events-attempted	The total number of ECM statistics-related PS Paging Initiation Events that were attempted. Individual statistics are provided for the specified QoS Class Identifier (QCI) value (1-9)
tai-ps-qci-7-paging-init-events-success	The total number of ECM Statistics-related PS Paging Initiation Events that were successful. Individual statistics are provided for the specified QoS Class Identifier (QCI) value (1-9).
tai-ps-qci-7-paging-init-events-failures	The total number of ECM Statistics-related PS Paging Initiation Events that failed. Individual statistics are provided for the specified QoS Class Identifier (QCI) value (1-9).
tai-ps-qci-7-paging-last-enb-success	The total number of ECM Statistics-related PS Paging Initiation Events that succeeded at the last known eNodeB. Individual statistics are provided for the specified QoS Class Identifier (QCI) value (1-9)
tai-ps-qci-7-paging-last-tai-success	The total number of ECM Statistics-related PS Paging Initiation Events that succeeded at an eNodeB in the TAI from which the UE was last heard. Individual statistics are provided for the specified QoS Class Identifier (QCI) value (1-9)
tai-ps-qci-7-paging-tai-list-success	The total number of ECM Statistics-related PS Paging Initiation Events that succeeded at an eNodeB in all TAIs present in the TAI list assigned to the UE. Individual statistics are provided for the specified QoS Class Identifier (QCI) value (1-9)
tai-ps-qci-8-paging-init-events-attempted	The total number of ECM statistics-related PS Paging Initiation Events that were attempted. Individual statistics are provided for the specified QoS Class Identifier (QCI) value (1-9)
tai-ps-qci-8-paging-init-events-success	The total number of ECM Statistics-related PS Paging Initiation Events that were successful. Individual statistics are provided for the specified QoS Class Identifier (QCI) value (1-9)

Counter Name	Description
tai-ps-qci-8-paging-init-events-failures	The total number of ECM Statistics-related PS Paging Initiation Events that failed. Individual statistics are provided for the specified QoS Class Identifier (QCI) value (1-9)
tai-ps-qci-8-paging-last-enb-success	The total number of ECM Statistics-related PS Paging Initiation Events that succeeded at the last known eNodeB. Individual statistics are provided for the specified QoS Class Identifier (QCI) value (1-9).
tai-ps-qci-8-paging-last-tai-success	The total number of ECM Statistics-related PS Paging Initiation Events that succeeded at an eNodeB in the TAI from which the UE was last heard. Individual statistics are provided for the specified QoS Class Identifier (QCI) value (1-9).
tai-ps-qci-8-paging-tai-list-success	The total number of ECM Statistics-related PS Paging Initiation Events that succeeded at an eNodeB in all TAIs present in the TAI list assigned to the UE. Individual statistics are provided for the specified QoS Class Identifier (QCI) value (1-9).
tai-ps-qci-9-paging-init-events-attempted	The total number of ECM statistics-related PS Paging Initiation Events that were attempted. Individual statistics are provided for the specified QoS Class Identifier (QCI) value (1-9).
tai-ps-qci-9-paging-init-events-success	The total number of ECM Statistics-related PS Paging Initiation Events that were successful. Individual statistics are provided for the specified QoS Class Identifier (QCI) value (1-9)
tai-ps-qci-9-paging-init-events-failures	The total number of ECM Statistics-related PS Paging Initiation Events that failed. Individual statistics are provided for the specified QoS Class Identifier (QCI) value (1-9)
tai-ps-qci-9-paging-last-tai-success	The total number of ECM Statistics-related PS Paging Initiation Events that succeeded at an eNodeB in the TAI from which the UE was last heard. Individual statistics are provided for the specified QoS Class Identifier (QCI) value (1-9)
tai-ps-qci-9-paging-tai-list-success	The total number of ECM Statistics-related PS Paging Initiation Events that succeeded at an eNodeB in all TAIs present in the TAI list assigned to the UE. Individual statistics are provided for the specified QoS Class Identifier (QCI) value (1-9)

Counter Name	Description
tai-ps-arp-1-paging-init-events-attempted	The total number of ECM statistics-related PS Paging Initiation Events that were attempted. This counter is incremented for ARP 1 event.
tai-ps-arp-1-paging-init-events-success	The total number of ECM Statistics-related PS Paging Initiation Events that were successful. This counter is incremented for ARP 1 event.
tai-ps-arp-1-paging-init-events-failures	The total number of ECM Statistics-related PS Paging Initiation Events that Failed. This counter is incremented for ARP 1 event.
tai-ps-arp-1-paging-last-enb-success	The total number of ECM Statistics-related PS Paging Initiation Events that succeeded at the last known eNodeB. This counter is incremented for ARP 1 event.
tai-ps-arp-1-paging-last-tai-success	The total number of ECM Statistics-related PS Paging Initiation Events that succeeded at an eNodeB in the TAI from which the UE was last heard. This counter is incremented for ARP 1 event.
tai-ps-arp-1-paging-tai-list-success	The total number of ECM Statistics-related PS Paging Initiation Events that succeeded at an eNodeB in all TAIs present in the TAI list assigned to the UE. This counter is incremented for ARP 1 event.
tai-ps-arp-2-paging-init-events-attempted	The total number of ECM statistics-related PS Paging Initiation Events that were attempted. This counter is incremented for ARP 2 event.
tai-ps-arp-2-paging-init-events-success	The total number of ECM Statistics-related PS Paging Initiation Events that were successful. This counter is incremented for ARP 2 event.
tai-ps-arp-2-paging-init-events-failures	The total number of ECM Statistics-related PS Paging Initiation Events that Failed. This counter is incremented for ARP 2 event.
tai-ps-arp-2-paging-last-enb-success	The total number of ECM Statistics-related PS Paging Initiation Events that succeeded at the last known eNodeB. This counter is incremented for ARP 2 event.
tai-ps-arp-2-paging-last-tai-success	The total number of ECM Statistics-related PS Paging Initiation Events that succeeded at an eNodeB in the TAI from which the UE was last heard. This counter is incremented for ARP 2 event.
tai-ps-arp-2-paging-tai-list-success	The total number of ECM statistics-related PS Paging Initiation Events that succeeded at an eNodeB in all TAIs present in the TAI list assigned to the UE. This counter is incremented for ARP 2 event.



Counter Name	Description
tai-ps-arp-3-paging-init-events-attempted	The total number of ECM statistics-related PS Paging Initiation Events that were attempted. This counter is incremented for ARP 3 event.
tai-ps-arp-3-paging-init-events-success	The total number of ECM Statistics-related PS Paging Initiation Events that were successful. This counter is incremented for ARP 3 event.
tai-ps-arp-3-paging-init-events-failures	The total number of ECM Statistics-related PS Paging Initiation Events that Failed. This counter is incremented for ARP 3 event.
tai-ps-arp-3-paging-last-enb-success	The total number of ECM Statistics-related PS Paging Initiation Events that succeeded at the last known eNodeB. This counter is incremented for ARP 3 event.
tai-ps-arp-3-paging-last-tai-success	The total number of ECM Statistics-related PS Paging Initiation Events that succeeded at an eNodeB in the TAI from which the UE was last heard. This counter is incremented for ARP 3 event.
tai-ps-arp-3-paging-tai-list-success	The total number of ECM Statistics-related PS Paging Initiation Events that succeeded at an eNodeB in all TAIs present in the TAI list assigned to the UE. This counter is incremented for ARP 3 event.
tai-ps-arp-4-paging-init-events-attempted	The total number of ECM statistics-related PS Paging Initiation Events that were attempted. This counter is incremented for ARP 4 event.
tai-ps-arp-4-paging-init-events-success	The total number of ECM Statistics-related PS Paging Initiation Events that were successful. This counter is incremented for ARP 4 event.
tai-ps-arp-4-paging-init-events-failures	The total number of ECM Statistics-related PS Paging Initiation Events that Failed. This counter is incremented for ARP 4 event.
tai-ps-arp-4-paging-last-enb-success	The total number of ECM Statistics-related PS Paging Initiation Events that succeeded at the last known eNodeB. This counter is incremented for ARP 4 event.
tai-ps-arp-4-paging-last-tai-success	The total number of ECM Statistics-related PS Paging Initiation Events that succeeded at an eNodeB in the TAI from which the UE was last heard. This counter is incremented for ARP 4 event.
tai-ps-arp-4-paging-tai-list-success	The total number of ECM Statistics-related PS Paging Initiation Events that succeeded at an eNodeB in all TAIs present in the TAI list assigned to the UE. This counter is incremented for ARP 4 event.

Counter Name	Description
tai-ps-arp-5-paging-init-events-attempted	The total number of ECM statistics-related PS Paging Initiation Events that were attempted. This counter is incremented for ARP 5 event.
tai-ps-arp-5-paging-init-events-success	The total number of ECM Statistics-related PS Paging Initiation Events that were successful. This counter is incremented for ARP 5 event.
tai-ps-arp-5-paging-init-events-failures	The total number of ECM Statistics-related PS Paging Initiation Events that Failed. This counter is incremented for ARP 5 event.
tai-ps-arp-5-paging-last-enb-success	The total number of ECM Statistics-related PS Paging Initiation Events that succeeded at the last known eNodeB. This counter is incremented for ARP 5 event.
tai-ps-arp-5-paging-last-tai-success	The total number of ECM Statistics-related PS Paging Initiation Events that succeeded at an eNodeB in the TAI from which the UE was last heard. This counter is incremented for ARP 5 event.
tai-ps-arp-5-paging-tai-list-success	The total number of ECM Statistics-related PS Paging Initiation Events that succeeded at an eNodeB in all TAIs present in the TAI list assigned to the UE. This counter is incremented for ARP 5 event.
tai-ps-arp-6-paging-init-events-attempted	The total number of ECM statistics-related PS Paging Initiation Events that were attempted. This counter is incremented for ARP 6 event.
tai-ps-arp-6-paging-init-events-success	The total number of ECM Statistics-related PS Paging Initiation Events that were successful. This counter is incremented for ARP 6 event.
tai-ps-arp-6-paging-init-events-failures	The total number of ECM Statistics-related PS Paging Initiation Events that Failed. This counter is incremented for ARP 6 event.
tai-ps-arp-6-paging-last-enb-success	The total number of ECM Statistics-related PS Paging Initiation Events that succeeded at the last known eNodeB. This counter is incremented for ARP 6 event.
tai-ps-arp-6-paging-last-tai-success	The total number of ECM Statistics-related PS Paging Initiation Events that succeeded at an eNodeB in the TAI from which the UE was last heard. This counter is incremented for ARP 6 event.
tai-ps-arp-6-paging-tai-list-success	The total number of ECM Statistics-related PS Paging Initiation Events that succeeded at an eNodeB in all TAIs present in the TAI list assigned to the UE. This counter is incremented for ARP 6 event.

Counter Name	Description
tai-ps-arp-7-paging-init-events-attempted	The total number of ECM statistics-related PS Paging Initiation Events that were attempted. This counter is incremented for ARP 7 event.
tai-ps-arp-7-paging-init-events-success	The total number of ECM Statistics-related PS Paging Initiation Events that were successful. This counter is incremented for ARP 7 event.
tai-ps-arp-7-paging-init-events-failures	The total number of ECM Statistics-related PS Paging Initiation Events that Failed. This counter is incremented for ARP 7 event.
tai-ps-arp-7-paging-last-enb-success	The total number of ECM Statistics-related PS Paging Initiation Events that succeeded at the last known eNodeB. This counter is incremented for ARP 7 event.
tai-ps-arp-7-paging-last-tai-success	The total number of ECM Statistics-related PS Paging Initiation Events that succeeded at an eNodeB in the TAI from which the UE was last heard. This counter is incremented for ARP 7 event.
tai-ps-arp-7-paging-tai-list-success	The total number of ECM Statistics-related PS Paging Initiation Events that succeeded at an eNodeB in all TAIs present in the TAI list assigned to the UE. This counter is incremented for ARP 7 event.
tai-ps-arp-8-paging-init-events-attempted	The total number of ECM statistics-related PS Paging Initiation Events that were attempted. This counter is incremented for ARP 8 event.
tai-ps-arp-8-paging-init-events-success	The total number of ECM Statistics-related PS Paging Initiation Events that were successful. This counter is incremented for ARP 8 event.
tai-ps-arp-8-paging-init-events-failures	The total number of ECM Statistics-related PS Paging Initiation Events that Failed. This counter is incremented for ARP 8 event.
tai-ps-arp-8-paging-last-enb-success	The total number of ECM Statistics-related PS Paging Initiation Events that succeeded at the last known eNodeB. This counter is incremented for ARP 8 event.
tai-ps-arp-8-paging-last-tai-success	The total number of ECM Statistics-related PS Paging Initiation Events that succeeded at an eNodeB in the TAI from which the UE was last heard. This counter is incremented for ARP 8 event.
tai-ps-arp-8-paging-tai-list-success	The total number of ECM Statistics-related PS Paging Initiation Events that succeeded at an eNodeB in all TAIs present in the TAI list assigned to the UE. This counter is incremented for ARP 8 event.

Counter Name	Description
tai-ps-arp-9-paging-init-events-attempted	The total number of ECM statistics-related PS Paging Initiation Events that were attempted. This counter is incremented for ARP 9 event.
tai-ps-arp-9-paging-init-events-success	The total number of ECM Statistics-related PS Paging Initiation Events that were successful. This counter is incremented for ARP 9 event.
tai-ps-arp-9-paging-init-events-failures	The total number of ECM Statistics-related PS Paging Initiation Events that Failed. This counter is incremented for ARP 9 event.
tai-ps-arp-9-paging-last-enb-success	The total number of ECM Statistics-related PS Paging Initiation Events that succeeded at the last known eNodeB. This counter is incremented for ARP 9 event.
tai-ps-arp-9-paging-last-tai-success	The total number of ECM Statistics-related PS Paging Initiation Events that succeeded at an eNodeB in the TAI from which the UE was last heard. This counter is incremented for ARP 9 event.
tai-ps-arp-9-paging-tai-list-success	The total number of ECM Statistics-related PS Paging Initiation Events that succeeded at an eNodeB in all TAIs present in the TAI list assigned to the UE. This counter is incremented for ARP 9 event.
tai-ps-arp-10-paging-init-events-attempted	The total number of ECM statistics-related PS Paging Initiation Events that were attempted. This counter is incremented for ARP 10 event.
tai-ps-arp-10-paging-init-events-success	The total number of ECM Statistics-related PS Paging Initiation Events that were successful. This counter is incremented for ARP 10 event.
tai-ps-arp-10-paging-init-events-failures	The total number of ECM Statistics-related PS Paging Initiation Events that Failed. This counter is incremented for ARP 10 event.
tai-ps-arp-10-paging-last-enb-success	The total number of ECM Statistics-related PS Paging Initiation Events that succeeded at the last known eNodeB. This counter is incremented for ARP 10 event.
tai-ps-arp-10-paging-last-tai-success	The total number of ECM Statistics-related PS Paging Initiation Events that succeeded at an eNodeB in the TAI from which the UE was last heard. This counter is incremented for ARP 10 event.

Counter Name	Description
tai-ps-arp-10-paging-tai-list-success	The total number of ECM Statistics-related PS Paging Initiation Events that succeeded at an eNodeB in all TAIs present in the TAI list assigned to the UE. This counter is incremented for ARP 10 event.
tai-ps-arp-11-paging-init-events-attempted	The total number of ECM statistics-related PS Paging Initiation Events that were attempted. This counter is incremented for ARP 11 event.
tai-ps-arp-11-paging-init-events-success	The total number of ECM Statistics-related PS Paging Initiation Events that were successful. This counter is incremented for ARP 11 event.
tai-ps-arp-11-paging-init-events-failures	The total number of ECM Statistics-related PS Paging Initiation Events that Failed. This counter is incremented for ARP 11 event.
tai-ps-arp-11-paging-last-enb-success	The total number of ECM Statistics-related PS Paging Initiation Events that succeeded at the last known eNodeB. This counter is incremented for ARP 11 event.
tai-ps-arp-11-paging-last-tai-success	The total number of ECM Statistics-related PS Paging Initiation Events that succeeded at an eNodeB in the TAI from which the UE was last heard. This counter is incremented for ARP 11 event.
tai-ps-arp-11-paging-tai-list-success	The total number of ECM Statistics-related PS Paging Initiation Events that succeeded at an eNodeB in all TAIs present in the TAI list assigned to the UE. This counter is incremented for ARP 11 event.
tai-ps-arp-12-paging-init-events-attempted	The total number of ECM statistics-related PS Paging Initiation Events that were attempted. This counter is incremented for ARP 12 event.l.
tai-ps-arp-12-paging-init-events-success	The total number of ECM Statistics-related PS Paging Initiation Events that were successful. This counter is incremented for ARP 12 event.
tai-ps-arp-12-paging-init-events-failures	The total number of ECM Statistics-related PS Paging Initiation Events that Failed. This counter is incremented for ARP 12 event.
tai-ps-arp-12-paging-last-enb-success	The total number of ECM Statistics-related PS Paging Initiation Events that succeeded at the last known eNodeB. This counter is incremented for ARP 12 event.

Counter Name	Description
tai-ps-arp-12-paging-last-tai-success	The total number of ECM Statistics-related PS Paging Initiation Events that succeeded at an eNodeB in the TAI from which the UE was last heard. This counter is incremented for ARP 12 event.
tai-ps-arp-12-paging-tai-list-success	The total number of ECM Statistics-related PS Paging Initiation Events that succeeded at an eNodeB in all TAIs present in the TAI list assigned to the UE. This counter is incremented for ARP 12 event.
tai-ps-arp-13-paging-init-events-attempted	The total number of ECM statistics-related PS Paging Initiation Events that were attempted. This counter is incremented for ARP 13 event.
tai-ps-arp-13-paging-init-events-success	The total number of ECM Statistics-related PS Paging Initiation Events that were successful. This counter is incremented for ARP 13 event.
tai-ps-arp-13-paging-init-events-failures	The total number of ECM Statistics-related PS Paging Initiation Events that Failed. This counter is incremented for ARP 13 event.
tai-ps-arp-13-paging-last-enb-success	The total number of ECM Statistics-related PS Paging Initiation Events that succeeded at the last known eNodeB. This counter is incremented for ARP 13 event.
tai-ps-arp-13-paging-last-tai-success	The total number of ECM Statistics-related PS Paging Initiation Events that succeeded at an eNodeB in the TAI from which the UE was last heard. This counter is incremented for ARP 13 event.
tai-ps-arp-13-paging-tai-list-success	The total number of ECM Statistics-related PS Paging Initiation Events that succeeded at an eNodeB in all TAIs present in the TAI list assigned to the UE. This counter is incremented for ARP 13 event.
tai-ps-arp-14-paging-init-events-attempted	The total number of ECM statistics-related PS Paging Initiation Events that were attempted. This counter is incremented for ARP 14 event.
tai-ps-arp-14-paging-init-events-success	The total number of ECM Statistics-related PS Paging Initiation Events that were successful. This counter is incremented for ARP 14 event.
tai-ps-arp-14-paging-init-events-failures	The total number of ECM Statistics-related PS Paging Initiation Events that Failed. This counter is incremented for ARP 14 event.

Counter Name	Description
tai-ps-arp-14-paging-last-enb-success	The total number of ECM Statistics-related PS Paging Initiation Events that succeeded at the last known eNodeB. This counter is incremented for ARP 14 event.
tai-ps-arp-14-paging-last-tai-success	The total number of ECM Statistics-related PS Paging Initiation Events that succeeded at an eNodeB in the TAI from which the UE was last heard. This counter is incremented for ARP 14 event.
tai-ps-arp-14-paging-tai-list-success	The total number of ECM Statistics-related PS Paging Initiation Events that succeeded at an eNodeB in all TAIs present in the TAI list assigned to the UE. This counter is incremented for ARP 14 event.
tai-ps-arp-15-paging-init-events-attempted	The total number of ECM statistics-related PS Paging Initiation Events that were attempted. This counter is incremented for ARP 15 event
tai-ps-arp-15-paging-init-events-success	The total number of ECM Statistics-related PS Paging Initiation Events that were successful. This counter is incremented for ARP 15 event.
tai-ps-arp-15-paging-init-events-failures	The total number of ECM Statistics-related PS Paging Initiation Events that Failed. This counter is incremented for ARP 15 event.
tai-ps-arp-15-paging-last-enb-success	The total number of ECM Statistics-related PS Paging Initiation Events that succeeded at the last known eNodeB. This counter is incremented for ARP 15 event.
tai-ps-arp-15-paging-last-tai-success	The total number of ECM Statistics-related PS Paging Initiation Events that succeeded at an eNodeB in the TAI from which the UE was last heard. This counter is incremented for ARP 15 event.
tai-ps-arp-15-paging-tai-list-success	The total number of ECM Statistics-related PS Paging Initiation Events that succeeded at an eNodeB in all TAIs present in the TAI list assigned to the UE. This counter is incremented for ARP 15 event.
tai-ps-apn-profile-paging-init-events-attempted	The total number of ECM statistics-related PS Paging Initiation Events that were attempted. This counter is incremented for APN-Profile event.
tai-ps-apn-profile-paging-init-events-success	The total number of ECM statistics-related PS Paging Initiation Events that were successful. This counter is incremented for APN-Profile event.

Counter Name	Description
tai-ps-apn-profile-paging-init-events-failures	The total number of ECM statistics-related PS Paging Initiation Events that Failed. This counter is incremented for APN-Profile event.
tai-ps-apn-profile-paging-last-enb-success	The total number of ECM Statistics-related PS Paging Initiation Events that succeeded at the last known eNodeB. This counter is incremented for APN-Profile event.
tai-ps-apn-profile-paging-last-tai-success	The total number of ECM Statistics-related PS Paging Initiation Events that succeeded at an eNodeB in the TAI from which the UE was last heard. This counter is incremented for APN-Profile events.
tai-ps-apn-profile-paging-tai-list-success	The total number of ECM Statistics-related PS Paging Initiation Events that succeeded at an eNodeB in all TAIs present in the TAI list assigned to the UE. This counter is incremented for APN-Profile event.
tai-cs-voice-paging-init-events-attempted	The total number of ECM Statistics-related CS Voice Paging Initiation Events that were attempted.
tai-cs-voice-paging-init-events-success	The total number of ECM Statistics-related CS Voice Paging Initiation Events that were successful.
tai-cs-voice-paging-init-events-failures	The total number of ECM Statistics-related CS Voice Paging Initiation Events that failed.
tai-cs-voice-paging-last-enb-success	The total number of ECM Statistics-related CS Voice Paging Initiation Events that succeeded at the last known eNodeB.
tai-cs-voice-paging-last-tai-success	The total number of ECM Statistics-related CS Voice Paging Initiation Events that succeeded at an eNodeB in the TAI from which the UE was last heard.
tai-cs-voice-paging-tai-list-success	The total number of ECM Statistics-related CS Voice Paging Initiation Events that succeeded at an eNodeB in all TAIs present in the TAI list assigned to the UE.
tai-cs-sms-paging-init-events-attempted	The total number of ECM Statistics-related CS SMS Paging Initiation Events that were attempted.
tai-cs-sms-paging-init-events-success	The total number of ECM Statistics-related CS SMS Paging Initiation Events that were successful.
tai-cs-sms-paging-init-events-failures	The total number of ECM Statistics-related CS SMS Paging Initiation Events that Failed.
tai-cs-sms-paging-last-enb-success	The total number of ECM Statistics-related CS SMS Paging Initiation Events that succeeded at the last known eNodeB.



Counter Name	Description
tai-cs-sms-paging-last-tai-success	The total number of ECM Statistics-related CS SMS Paging Initiation Events that succeeded at an eNodeB in the TAI from which the UE was last heard.
tai-cs-sms-paging-tai-list-success	The total number of ECM Statistics-related CS SMS Paging Initiation Events that succeeded at an eNodeB in all TAIs present in the TAI list assigned to the UE.
tai-cs-other-paging-init-events-attempted	The total number of ECM Statistics-related CS other Paging Initiation Events that were attempted.
tai-cs-other-paging-init-events-success	The total number of ECM Statistics-related CS other Paging Initiation Events that were successful.
tai-cs-other-paging-init-events-failures	The total number of ECM Statistics-related CS other Paging Initiation Events that failed.
tai-cs-other-paging-last-enb-success	The total number of ECM Statistics-related CS other Paging Initiation Events that succeeded at the last known eNodeB.
tai-cs-other-paging-last-tai-success	The total number of ECM Statistics-related CS other Paging Initiation Events that succeeded at an eNodeB in the TAI from which the UE was last heard.
tai-cs-other-paging-tai-list-success	The total number of ECM Statistics-related CS other Paging Initiation Events that succeeded at an eNodeB in all TAIs present in the TAI list assigned to the UE.
tai-signaling-detach-paging-init-events-attempted	The total number of ECM Statistics-related Paging requests to detach the UE that were attempted.
tai-signaling-detach-paging-init-events-success	The total number of ECM Statistics-related Paging requests to detach the UE that were successful.
tai-signaling-detach-paging-init-events-failures	The total number of ECM Statistics-related Paging requests to detach the UE that Failed.
tai-signaling-detach-paging-last-enb-success	The total number of ECM Statistics-related Paging requests to detach the UE that succeeded at the last known eNodeB.
tai-signaling-detach-paging-last-tai-success	The total number of ECM Statistics-related Paging requests to detach the UE that succeeded at an eNodeB in the TAI from which the UE was last heard.
tai-signaling-detach-paging-tai-list-success	The total number of ECM Statistics-related Paging requests to detach the UE that succeeded at an eNodeB in all TAIs present in the TAI list assigned to the UE.

Counter Name	Description
tai-signaling-lcs-paging-init-events-attempted	The total number of ECM Statistics-related Paging requests due to Positioning Requests from SMLC for Location Services (LCS) that were attempted.
tai-signaling-lcs-paging-init-events-success	The total number of ECM Statistics-related Paging requests due to Positioning Requests from SMLC for Location Services (LCS) that were successful.
tai-signaling-lcs-paging-init-events-failures	The total number of ECM Statistics-related Paging requests due to Positioning Requests from SMLC for Location Services (LCS) that failed.
tai-signaling-lcs-paging-last-enb-success	The total number of ECM Statistics-related Paging requests due to Positioning Requests from SMLC for Location Services (LCS) that succeeded at the last known eNodeB.
tai-signaling-lcs-paging-last-tai-success	The total number of ECM Statistics-related Paging requests due to Positioning Requests from SMLC for Location Services (LCS) that succeeded at an eNodeB in the TAI from which the UE was last heard.
tai-signaling-lcs-paging-tai-list-success	The total number of ECM Statistics-related Paging requests due to Positioning Requests from SMLC for Location Services (LCS) that succeeded at an eNodeB in all TAIs present in the TAI list assigned to the UE.
tai-signaling-ipne-paging-init-events-attempted	Proprietary counter tracks the number of IPNE-triggered paging attempts.
tai-signaling-ipne-paging-init-events-success	Proprietary counter tracks the number of times IPNE-triggered paging succeeds.
tai-signaling-ipne-paging-init-events-failures	Proprietary counter tracks the number of times that IPNE-triggered paging fails.
tai-signaling-ipne-paging-last-enb-success	Proprietary counter provides the number of times IPNE-triggered paging occurred successfully with last eNB paging.
tai-signaling-ipne-paging-last-tai-success	Proprietary counter provides the number of times IPNE-triggered paging occurred successfully with last TAI paging.
tai-signaling-ipne-paging-tai-list-success	Proprietary counter provides the number of times IPNE-triggered paging occurred successfully with TAI list paging.
tai-signaling-noderes-paging-init-events-attempted	The total number of ECM Statistics-related Paging requests to deactivate a PDN due to Node Restoration (P-GW Restart Notification) that were attempted.

Counter Name	Description
tai-signaling-noderes-paging-init-events-success	The total number of ECM Statistics-related Paging requests to deactivate a PDN due to Node Restoration (P-GW Restart Notification) that were successful.
tai-signaling-noderes-paging-init-events-failures	The total number of ECM Statistics-related Paging requests to deactivate a PDN due to Node Restoration (P-GW Restart Notification) that failed.
tai-signaling-noderes-paging-last-enb-success	The total number of ECM Statistics-related Paging requests to deactivate a PDN due to Node Restoration (P-GW Restart Notification) that succeeded at the last known eNodeB.
tai-signaling-noderes-paging-last-tai-success	The total number of ECM Statistics-related Paging requests to deactivate a PDN due to Node Restoration (P-GW Restart Notification) that succeeded at an eNodeB in the TAI from which the UE was last heard.
tai-signaling-noderes-paging-tai-list-success	The total number of ECM Statistics-related Paging requests to deactivate a PDN due to Node Restoration (P-GW Restart Notification) that succeeded at an eNodeB in all TAIs present in the TAI list assigned to the UE.
tai-signaling-idr-paging-init-events-attempted	This proprietary counter tracks the total number of times the MME attempts IDR-initiated paging of a UE.
tai-signaling-idr-paging-init-events-success	This proprietary counter tracks the total number of times the MME successfully performs IDR-initiated paging of a UE.
tai-signaling-idr-paging-init-events-failures	This proprietary counter tracks the total number of times IDR-initiated paging of a UE fails.
tai-signaling-idr-paging-last-enb-success	This proprietary counter tracks the total number of times IDR-initiated paging of an eNodeB was successful.
tai-signaling-idr-paging-last-tai-success	This proprietary counter tracks the total number of times IDR-initiated paging the last Tracking Area Identifier (TAI) was successful.
tai-signaling-idr-paging-tai-list-success	This proprietary counter tracks the total number of successful IDR-initiated paging to a UE at an eNodeB in all TAIs present in the TAI list assigned to the UE.

**Customer Impact:** Customer will have additional information at TAC level to understand the paging message load at TAC granularity for TAC re-design and troubleshooting purposes.





## CHAPTER 83

# Power Saving Mode (PSM) in UEs

This feature describes the Power Saving Mode (PSM) support on the MME in the following sections:

- [Feature Summary and Revision History, on page 771](#)
- [Feature Description, on page 772](#)
- [How It Works, on page 774](#)
- [Configuring UE Power Saving Mode, on page 775](#)
- [Monitoring and Troubleshooting, on page 776](#)

## Feature Summary and Revision History

### Summary Data

Applicable Product(s) or Functional Area	<ul style="list-style-type: none"><li>• C-SGN</li><li>• MME</li></ul>
Applicable Platform(s)	<ul style="list-style-type: none"><li>• UGP</li><li>• VPC-DI</li><li>• VPC-SI</li></ul>
Feature Default	Disabled
Related Changes in This Release	Not applicable
Related Documentation	<ul style="list-style-type: none"><li>• <i>Command Line Interface Reference</i></li><li>• <i>Statistics and Counters Reference</i></li></ul>

### Revision History

Revision Details	Release
The feature is tested and qualified on the ASR 5500 platform.	21.3

Revision Details	Release
<ul style="list-style-type: none"> <li>• If the <b>packet-count value</b> is not configured locally, the subscription value for packet-count is used. The subscription value can be “0”, in this case the packet count IE will not be sent for that subscriber even if it is configured locally. If the T3324 active and T3412 extended timers are locally configured these values are always used. If the UE does not request T3412 extended timer, then the value available in subscription data is used for Extended Periodic timer. If the values are not available in the subscription data then the values configured under the MME service are used.</li> <li>• If a session recovery occurs then the T3324 Active Timer restarts only for the remaining time of the total time configured before session recovery. Once the remaining time of the active timer elapses the UE moves to the power saving mode.</li> <li>• The DL-Buffering-Suggested-Packet-Count AVP is supported.</li> </ul>	N5.1 (21.1.V0)
First introduced.	21.0

## Feature Description

Internet of Things (IoT) is a computing concept where everyday objects have internet connectivity and they can collect and exchange data. IoT is a network which can comprise of a wide variety of physical devices, vehicles, buildings, and any other device/object used in our daily lives. They are embedded with sensors, software and network connectivity which help them communicate with other devices in the network and can be controlled remotely thus increasing efficiency, accuracy and economic benefit. Any device/object which has to be a part of the IoT network must have:

- Long battery life
- Low device cost
- Low deployment cost
- Full network coverage
- Support to connect to large number of devices



**Important** This feature is license controlled. Please consult your Cisco Account Representative for information about the specific license.

Power Saving Mode (PSM) was introduced in 3GPP Release 12, to improve device battery life of IoT devices. The most significant benefit of this feature is the UE has more control in terms of power management required for its application. There are a wide range of IoT applications where flexibility of the UE to manage its power is very important and also implementation of PSM can prevent network congestion. The timers of all the devices can be managed using PSM, and the wake-up periods can be adjusted to be offset as much as possible. This way all of the devices will not wake at the same time and attempt to access the network. The PSM mode is similar to power-off but the UE remains registered on the network.

The UE activates PSM by including two timer values in the Attach or Tracking Area Update (TAU). The first timer is the T3324, which defines the time the UE stays active after idle mode following the Attach or TAU procedure. The second timer is an extended T3412 which defines the extended time for an UE to send periodic TAU.

## Power Saving Mode Timers

### T3324 Active Timer

The UE requests for a T3324 Active Timer value during Attach and TAU procedures. The MME allocates the T3324 value to the UE. The T3324 active timer determines the duration during which the device remains reachable for mobile terminated transaction on transition from connected to idle mode. The device starts the active timer when it moves from connected to idle mode and when the active timer expires, the device moves to Power Saving Mode. The MME takes the UE requested value and MME local configuration into account for determining the Active Timer value. The MME includes the T3324 value IE in the ATTACH ACCEPT/TAU ACCEPT message only if the T3324 value IE was included in the ATTACH REQUEST/TAU REQUEST message. A UE using PSM is available for mobile terminating services only for the period of an Active Time after a mobile originated event like data transfer or signaling for example after a periodic TAU/RAU procedure.

The MME allows a value of '0' for the T3324 timer. In this case the UE enters the Power Saving Mode immediately.

The Mobile reachability timer is set equal to the T3324 timer (Active Time). The MME allows a value of '0' for the T3324 timer. In this case the UE enters the Power Saving Mode immediately.

If a session recovery occurs then the active timer re-starts only for the remaining time of the total time configured before session recovery. Once the remaining time of the active timer elapses the UE moves to the power saving mode.

### T3412 Extended Timer

The T3412 timer is also referred to as the periodic Tracking Area Update (TAU) timer. Periodic tracking area updating is used to periodically notify the availability of the UE to the network. The procedure is controlled in the UE by the periodic tracking area update timer (timer T3412). The value of timer T3412 is sent by the network to the UE in the ATTACH ACCEPT message and can be sent in the TRACKING AREA UPDATE ACCEPT message. The UE shall apply this value in all tracking areas of the list of tracking areas assigned to the UE, until a new value is received. A longer periodic TAU timer is possible using T3412 extended timer. When the UE includes the T3324 value IE and the UE indicates support for extended periodic timer value in the MS network feature support IE, it may also include the T3412 extended value IE. Apart from the value requested by the UE, the MME verifies the local configuration into account while selecting a value for the T3412 extended timer. When the MME includes the T3412 extended value IE in the ATTACH ACCEPT message or TRACKING AREA UPDATE ACCEPT message, the MME uses timer T3412 extended value IE as the value of timer T3412. The Implicit Detach Timer (IDT) is set to 4 minutes greater than the T3412 extended timer.

## Other Feature Enhancements

The MME allows a value of "0" for timer T3324 (Which implies the UE enters Power Saving Mode immediately).

MME may also include Downlink buffer duration and "Downlink suggested packet count" in DDN ACK if it is configured.

The following new flags are introduced as part of this feature; these flags are supported in GTPCv2 Indication IE:

- Pending Network Initiated PDN Connection Signaling Indication (PNSI): The source MME supports sending of PNSI flag in GTPCv2 Indication IE of Context response.
- UE Available for Signaling Indication (UASI): The MME supports sending of the UASI flag in GTPCv2 Indication IE of Create Session Request and Modify Bearer Request to indicate to the PGW that the UE is available for end to end signaling.
- Delay Tolerant Connection Indication (DTCI): The MME supports receiving the DTCI flag in Create Session Response from the SGW. The MME supports receiving of the DTCI flag in Context Response and Forward Relocation Request from peer MME or S4-SGSN.
- Availability after DDN Failure: If there is an Availability after DDN Failure monitoring event configured for the UE in the MME/SGSN, the MME/SGSN does not invoke extended buffering. Instead, the MME/SGSN sets the Notify-on-available-after-DDN-failure flag to remember to send an Availability after DDN Failure notification when the UE becomes available. If there is a UE Reachability monitoring event configured for the UE in the MME/SGSN, the MME/SGSN does not invoke extended buffering.

The MME rejects CBR/UBR when PPF is False. The cause "UE is temporarily not reachable due to power saving" is sent in the response by the MME if the corresponding PDN was marked "Delay tolerant" by PGW.

## How It Works

A subscriber is PSM enabled only when:

- The Power Saving Mode timers T3324 active and T3412 extended timers are configured.
- The MME supports Power Saving Mode for that subscriber.

A CLI based configuration is provided to configure the T3324 active and T3412 extended timers. The CLI provides an option to either accept UE requested values or MME configured values for these timers. When the PSM CLI configuration is enabled, the MME accepts the use of PSM and a UE requested value of T3324 is received in Attach/TAU request. If the CLI is configured to accept UE requested values of timers and if T3412 extended timer is not received from the UE along with T3324 in Attach/TAU request, then MME uses the same value of T3412 timer available in HSS subscription and if not, then MME service configuration. The values of T3324 and T3412 timers are determined based on the configuration. If the MME has allocated an Active Time (T3324) to the UE, then the MME starts the Active timer with the value of T3324 whenever the UE enters IDLE mode. If this timer expires, then MME clears the PPF (Paging Proceed Flag) and sets the IDT timer as "4" minutes greater than T3412 extended. When the PPF is clear, the MME does not page the UE on receiving a Downlink Data Notification message and sends a Downlink Data Notification Ack message with cause "Unable to page UE" to the Serving GW with DL buffering duration and DL suggested packet count IEs as per the operator configuration. The CLI option **dl-buf-duration** [ **packet-count** *packet\_value* ] is used to optionally configure either to send or not send the downlink buffer duration in DDN Ack, the DDN Ack Optional IE "Downlink Suggested Packet Count" can also be configured. If this option is not configured and not sent in subscription, MME does not send IE in DDN reject. If the **packet-count** value is not configured locally, the subscription value for **packet-count** is used. The subscription value can be "0", in this case the packet count IE will not be sent for that subscriber even if it is configured locally. If the T3324 active and T3412 extended timers are locally configured these values are always used. If the **psm** command is configured to use the UE requested values for Active and Extended Periodic timers the UE requested values are accepted, but in case if the UE does not request T3412 extended timer, then the value available in subscription data are used for Extended Periodic timer. If the values are not available in the subscription data then the values configured under the MME service are used .



The MME rejects network initiated PDN connections during power saving mode. The MME sends the cause "UE is temporarily not reachable due to power saving" if the corresponding PDN was marked Delay Tolerant (DTCI flag set) by PGW. The source MME sets the PNSI flag in Context Response if there are any pending network initiated PDN connections (for example, Create Bearer Request/Update Bearer Request). The MME sets the UASI flag in the Create Session Request or Modify Bearer Request message when UE is available for end-to-end signaling. The UE is in PSM until a mobile originated event (for example periodic RAU/TAU, mobile originated data or detach) requires the UE to begin any procedure towards the MME.

## Limitations

UE Power Saving Mode is not supported in the CS domain on the network side. A UE that uses mobile terminated IMS or CS services other than SMS should not use PSM as neither IMS nor the CS domain provide support for mobile terminated CS voice or IMS services to UEs that are in PSM.

As per latest version of 3GPP TS 24.008, the maximum value of T3412 extended timer can be "320\*31" hours that is "35712000" seconds. Due to MME constraints on timer implementation the T3412 extended timer is restricted to 1050 hours that is "3780000" seconds. However, the nearest usable value of this timer as 3GPP TS 24.008 GPRS Timer 3 is 960 hours (320 \* 3) that is 3456000 seconds.

## Standards Compliance

The Power Saving Mode feature complies with the following standards:

- 3GPP TS 24.301 Release 13.5.0
- 3GPP TS 23.401 Release 13.5.0
- 3GPP TS 29.274 Release 13.5.0
- 3GPP TS 24.008 Release 13.5.0
- 3GPP TS 36.413 Release 13.5.0

## Configuring UE Power Saving Mode

Use the following configuration in the Call Control Profile Configuration mode to configure the UE Power Saving Mode parameters.

```
configure
call-control-profile profile_name
  [ remove ] psm { ue-requested [ dl-buf-duration [ packet-count
packet_value ] ] | t3324-timeout t3324_value t3412-extended-timeout t3412_ext_value
  [ dl-buf-duration [ packet-count packet_value ] ] }
exit
```

Notes:

- The operator can use the **ue-requested** keyword when UE requested values for Active and Extended Periodic timers are to be accepted.

- The **dl-buf-duration** keyword is used to send the Downlink Buffer Duration in DDN ACK when unable to page UE. If this keyword is not configured, buffer duration will not be sent in DDN-ACK. By default, the buffer duration is not sent in DDN ACK.
- The **packet-count** keyword is used to send "DL Buffering Suggested Packet Count" in DDN ACK when unable to page UE. The packet count value is an integer ranging from 0 to 65535.
- The **t3324-timeout** keyword is used to configure the T3324 active timer value. The T3324 active timer is an integer ranging from 0 to 11160 seconds.
- The **t3412-timeout** keyword is used to configure the T3412 Extended timer value. The T3412 extended timer is an integer ranging from 0 to 35712000 seconds.
- The **remove** keyword is used to disable the UE power saving mode.
- This command is disabled by default.

## Monitoring and Troubleshooting

This section provides information on how to monitor the UE Power Saving Mode feature and to determine that it is working correctly.

### Show Command(s) and/or Outputs

This section provides information regarding show commands and/or their outputs updated in support of the UE Power Saving Mode feature.

The show commands in this section are available in support of this feature.

#### **show call-control-profile full name**

The PSM parameters are added to this command:

- UE Power Saving Mode - This section displays all the PSM related parameters.
- T3324 Timeout - Displays the T3324 timer value in seconds.
- T3412 Extended Timeout - Displays the T3412 extended timer value in seconds.
- Downlink Buffer Duration in DDN ACK - Displays if Downlink Buffer Duration in DDN ACK is either enabled or disabled.
- DL Buffering Suggested Packet Count in DDN ACK - Displays the DL buffering suggested packet count in DDN ACK.

#### **show mme-service session all**

The following new parameters are added to this command:

- UE Reachability Timer (PSM UE)
- T3412 Extended Timer
- UE Active Timer

- Remaining Time



**Note** These timers are calculated based on the **psm** command configuration in the Call Control Profile Configuration mode.

#### show mme-service statistics

The following new parameters are added to this command:

- PSM Subscribers: Displays information related to PSM subscribers.
- Attached Calls: Displays the number of attached subscribers for whom PSM is enabled.
- DDN Rejects: Displays the number of DDN rejects that have occurred for PSM enabled subscribers. A Downlink Data Notification (DDN) is rejected when an UE is in power saving mode.

#### show egtpc statistics verbose

The following new parameters are added to this command:

- UE not reachable due to PSM
- Create Bearer Denied
- Create Bearer Denied TX
- Update Bearer Denied
- Update Bearer Denied TX

The Create Bearer Request and Update Bearer Request are rejected when the UE is in Power Saving Mode. The MME sends the cause "EGTP\_CAUSE\_UE\_TEMP\_NOT\_REACHABLE\_DUE\_TO\_POWER\_SAVING" in the reject message if that PDN is marked "Delay Tolerant" by P-GW (DTCI flag enabled in PDN Connection Indication IE of Create Session Response). Otherwise the MME sends the cause "EGTP\_CAUSE\_UNABLE\_TO\_PAGE\_UE" to S-GW in CBR/UBR Reject.

## UE Power Saving Mode Bulk Statistics

The following statistics are added in the MME Schema in support of the UE Power Saving Mode feature:

- attached-psm-subscriber - The current number of attached subscribers in PSM mode.
- ddn-rejects-psm - The total number of DDN rejects due to PSM ever since the chassis was up.

## Diameter Attributes

Diameter Attribute Value Pairs (AVPs) carry specific authentication, accounting, authorization, routing and security information as well as configuration details for the request and reply.

The following Diameter attributes are added in support of this feature:

**DL-Buffering-Suggested-Packet-Count**

This AVP indicates the DL buffering suggested packet count.

**Vendor ID** 10415

**VSA Type** 1674

**AVP Type** Integer32

**AVP Flag** V-bit is set to true, M-bit is set to false.

## Troubleshooting

The troubleshooting steps for operator configured and UE requested timers are described in this section.

### Operator Configured Timers

The operator can configure the T3324 active and T3412 extended timer using the **psm** CLI command. The procedure below is a step-by-step procedure for troubleshooting.

1. The **psm** command in the Call Control Profile Configuration mode is used to configure the active and extended timers:

```
psm t3324-timeout 5 t3412-extended-timeout 1000
```




---

**Note** If the value of T3324 is set as 5 seconds, it will try to set the nearby value that is 4 seconds and if the value of T3412 extended timer is set as 1000 seconds, it will set as 960 seconds. See the *3GPP TS 24.008* for more information.

---

2. A subscriber with T3324 and T3412 extended timers sends the Attach Request.
3. The Attach request is completed and followed by the S1 release. The UE moves to an IDLE state.
4. On execution of the **show mme-service session** command, the following parameters are displayed:
 

```
UE Active Timer : 4 secs           Remaining Time : 2 secs
T3412 Extended Timer : 960 secs
```
5. The Paging Proceed Flag (PPF) changes to “FALSE” after the configured T3324 timer expires and the UE enters power saving mode.
6. Downlink Data Notification (DDN) is sent and it gets rejected as the UE is in power saving mode.
7. On execution of the **show mme-service statistics** command, the following parameters are displayed:
 

```
PSM Subscribers:
Attached Calls: 1           DDN Rejects: 1
```
8. The UE continues to be in power saving mode until the IDT timer expires or the UE initiates any other procedure.

### UE Requested Timers

The user can enable the usage of UE requested values for Active and Extended Periodic timers by using the **ue-requested** keyword in the **psm** command. The procedure below is a step-by-step procedure for troubleshooting.

1. The **psm ue-requested** command in the Call Control Profile Configuration mode is used to configure the usage of UE requested active and extended timers.
2. A subscriber with T3324 and T3412 extended timers sends the Attach Request.
3. The Attach Request is completed and followed by the S1 release. The UE moves to an IDLE state.
4. The Paging Proceed Flag (PPF) changes to “False” after the T3324 expires (UE requested value) and the UE enters power saving mode.
5. The Create Bearer Request (CBR) is rejected when the PPF is “False”. The cause “UE is temporarily not reachable due to power saving” is sent in the response by the MME if the corresponding PDN was marked “Delay tolerant” by P-GW.
6. On execution of the **show egtpc statistics verbose** command, the following parameters are displayed:

```
Create Bearer Denied:
```

```
Create Bearer Denied TX:  
UE not reachable due to PSM: 1
```





## CHAPTER 84

# QoS Profile Support

---

- [Feature Description, on page 781](#)
- [How It Works, on page 781](#)
- [Configuring QoS Profile and Bearer Control Profile, on page 788](#)
- [Monitoring and Troubleshooting the QoS/Bearer Control Profiles, on page 797](#)

## Feature Description

Release 19.2 introduces the MME "QoS Profile" feature for support of Quality of Service (QoS) profiles and Bearer Control profiles. The QoS profile can be defined for a given APN for EPS or 4G subscribers. One or more Bearer Control profiles can be associated to a QoS profile on the basis of a QoS class identifier (QCI) or a range of QCI. Together, these profiles allow PDN-level and bearer-level control of APN-AMBR and QoS parameters received from an HSS and/or a PGW.

A QoS profile is defined by:

- a list of bearers to be rejected based on QCI, and
- operator-provided values for capping AMBR (UL and DL).

Bearer Control profile is defined by:

- remapping matrix for QCI,
- operator-provided values for capping ARP PL/PCI/PVI, and
- operator-provided values for capping MBR and GBR (UL and DL).



---

**Important** For Release 19.2, this feature is released with a feature license that will not be enforced until Release 20.0.

---

## How It Works

## Operational Controls

The MME provides the flexibility to configure a Quality of Service (QoS) profile for an APN and multiple Bearer Control profiles to associate with the QoS profile.

### Profile Controls

QoS profile allows control of

- PDN-level QoS parameters, such as APN-AMBR,
- rejection of bearers based on QCI or range of QCI.

Bearer Control profile allows control of

- bearer-level QoS parameters such as ARP, ARP-PVI, ARP-PCI, MBR, and GBR, as well as the action to be taken, such as prefer-as-cap or pgw-upgrade
- remapping a QCI value for default and/or dedicated bearer, and pgw-upgrade action for QCI

Notes:

- For default bearer, the QCI of the bearer is initially determined by the subscription from the HSS or the value received from the peer-MME/S4-SGSN during inbound relocation.
- For dedicated bearer, the QCI of the bearer is initially determined by the QCI value received from the PGW during dedicated bearer activation or the value received from the peer-MME/S4-SGSN
- One or more Bearer Control profiles can be associated with a QoS profile for a specific QCI or a range of QCIs

### Backward Compatibility

When a QoS Profile is associated to an APN profile for an EPS network then all QoS parameter configurations are taken from the QoS profile and override the APN profile QoS configurations. However, if there is no QoS profile for the given APN in EPS network, then QoS control falls back to the QoS configuration contained in the APN profile.

## Flow for 4G QoS Control on Subscribed QoS Received from HSS

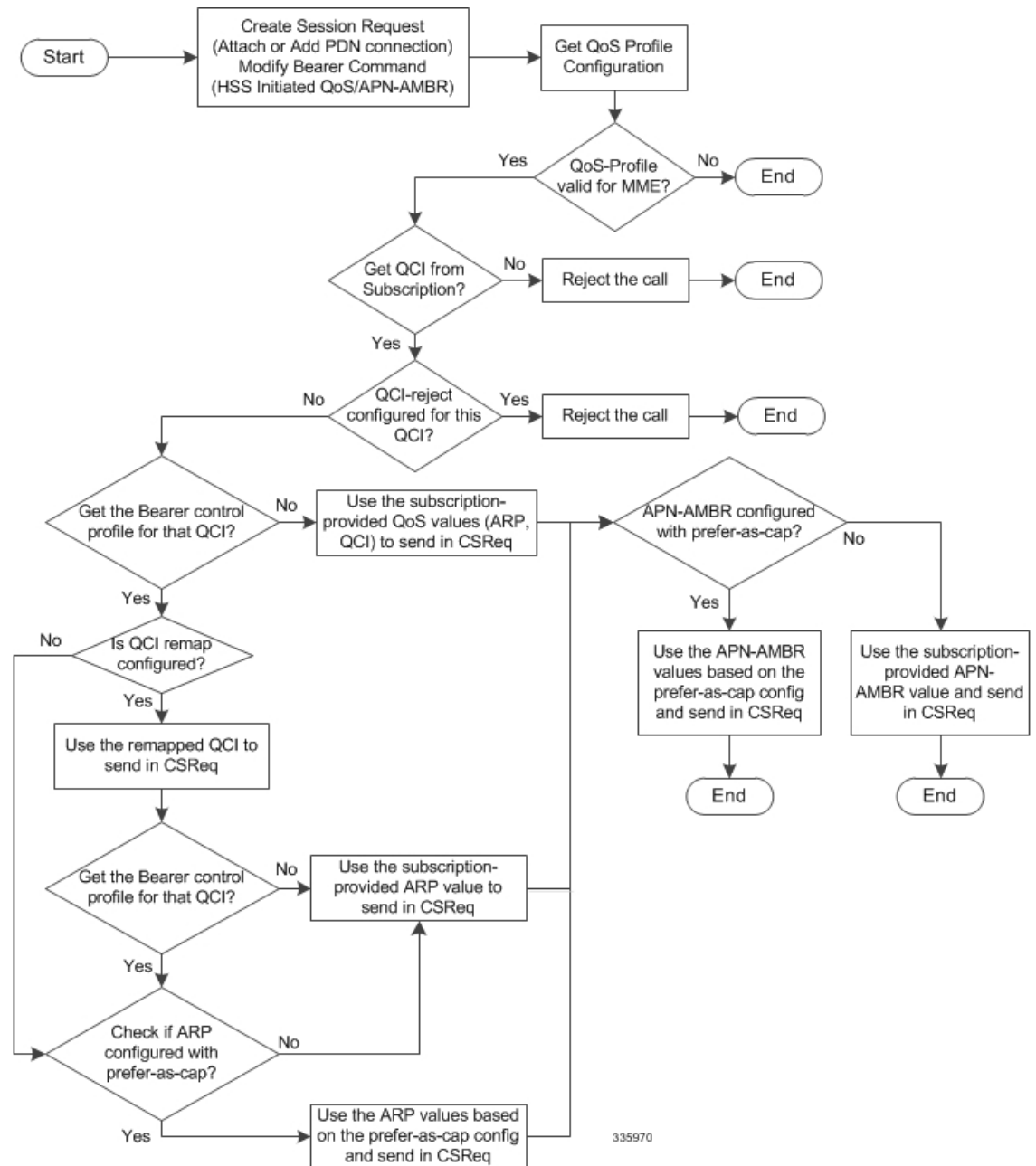
With this feature, the MME can override the EPS QoS profile (QCI, ARP) and APN-AMBR UL/DL received from the HSS, before applying the QoS to a Default Bearer (to be established or modified due to HSS). The overridden EPS QoS is sent in a Create Session Request message for either an Attach or an Additional PDN Connectivity procedure or in a Modify Bearer Command message in the case of an HSS-initiated QoS modification procedure. The following controls are available in MME QoS profile and Bearer Control profile for default bearers:

- Reject any default/dedicated bearers based on QCI
- Apply QCI Remapping
- Use operator-provided configured values for ARP (PL/PCI/PVI) and APN-AMBR instead of subscription or the minimum of the two (operator-provided and HSS) or reject if subscription exceeds operator-provided configured values.

The following diagram illustrates how QoS control is applied after QoS data is received from the HPLMN HSS over the S6a interface.



Figure 77: Flow for 4G QoS Control on Subscribed QoS Received from HSS



## Flow for 4G QoS Control on QoS Received from PGW for non-GBR Default and Dedicated Bearers

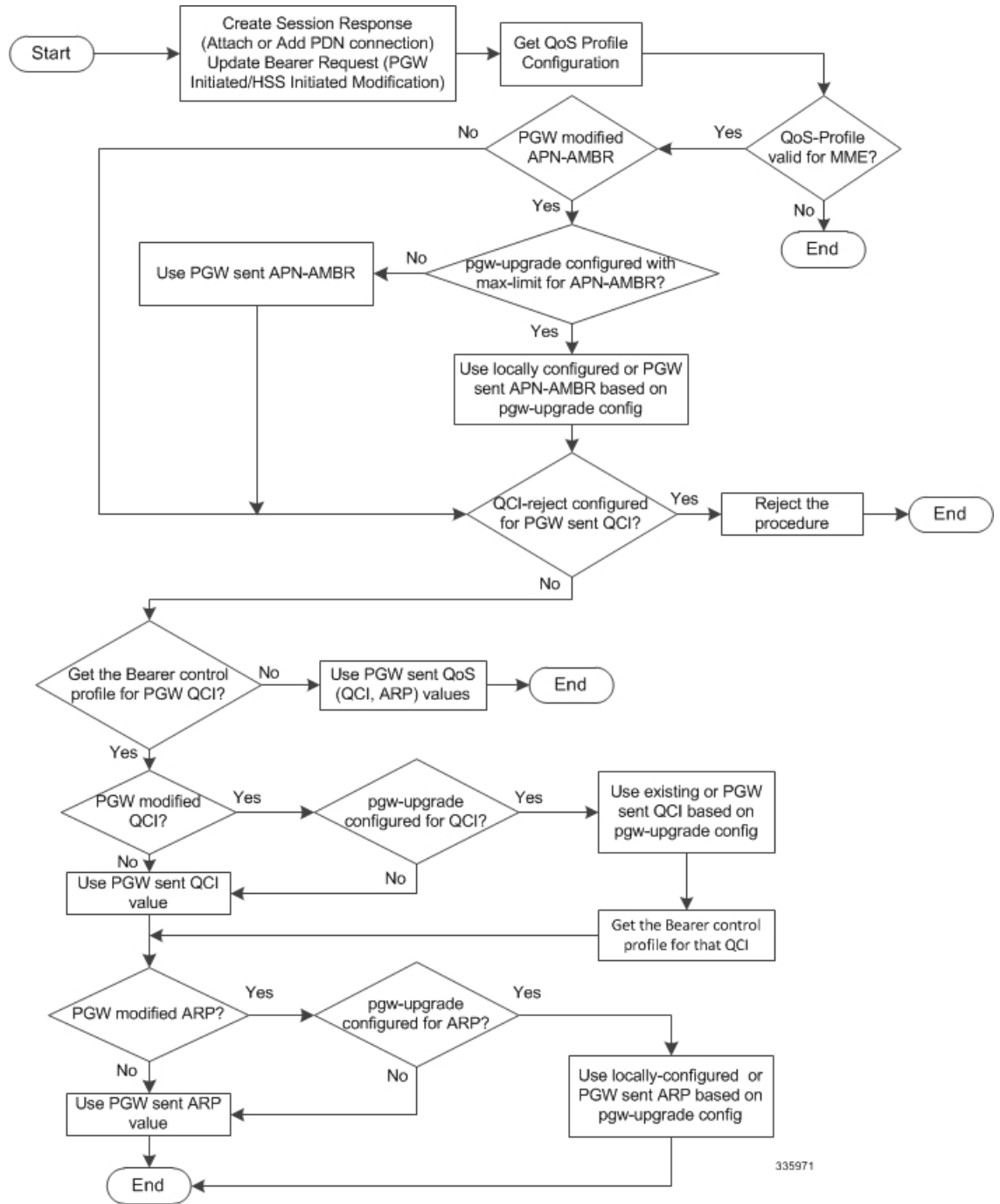
The MME can control EPS Bearer QoS (QCI, ARP) and APN-AMBR UL/DL that is received from the PGW (via SGW) in a Create Session Response or a Create/Update Bearer procedure that has been initiated by the PGW. The QoS control is applied and the resultant QoS is sent towards the UE in E-RAB modify message.

The following controls are available in MME QoS profile or Bearer Control profile for default/dedicated bearers:

- If QCI provided by the PGW is in the QCI-reject list, reject the procedure.
- Apply QCI Remapping (only for Create Bearer procedure)
- Use operator-provided values for ARP (PL/PCI/PVI) and APN-AMBR instead of PGW values or the minimum of the two (operator-provided and PGW) or reject if PGW provided value exceeds operator-provided values.

The following diagram illustrates how QoS control is applied after QoS data is received from the HPLMN PGW during Create Session Response or Update Bearer Request:

Figure 78: Flow for 4G QoS Control on QoS Received from PGW for non-GBR Default and Dedicated Bearers



335971

## Flow for 4G QoS Control on QoS Received from PGW for GBR Dedicated Bearers

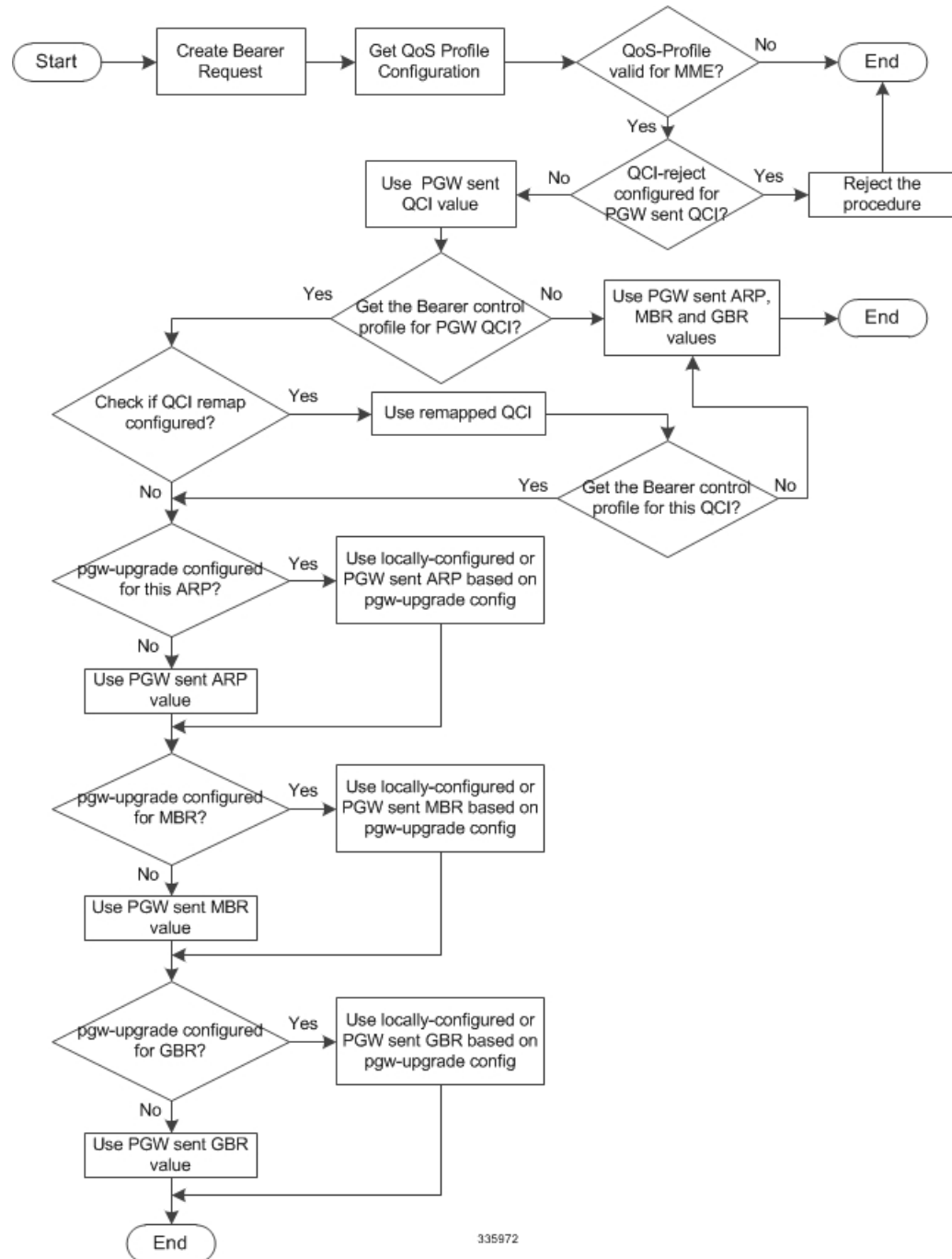
The MME can also control the EPS Bearer QoS (QCI, ARP) and MBR/GBR UL/DL received from the PGW (via SGW) in Create/Update Bearer procedures initiated by the PGW. The QoS control is applied and the

resultant QoS is sent towards the UE in an E-RAB Setup/Modify message. The following controls are available in MME QoS profile or Bearer Control profile for dedicated bearers:

- If QCI provided by the PGW is in the QCI-reject list, reject the procedure.
- Apply QCI Remapping (only for Create Bearer procedure)
- Use operator-provided values for ARP (PL/PCI/PVI), MBR and GBR instead of PGW values or the minimum of the two (operator-provided and PGW) or reject if PGW provided value exceeds operator-provided values.

The following diagram illustrates how QoS control is applied after QoS data is received from the HPLMN PGW during Create Bearer Request:

Figure 79: Flow for 4G Control on QoS Received from PGW for GBR Dedicated Bearers



## Limitations

- Currently, 4G QoS controls are not applied during hand-off scenarios for dedicated bearers.
- Bearer-level QoS parameters are part of the Bearer Control profile, which is selected based on QCI. If subscription does not provide QCI, then the Bearer Control profile lookup fails resulting in Attach failure.

## Standards Compliance

The QoS profile functionality complies with the following standard:

3GPP TS 23.401 v 12.0.0, Section 4.7.2.1

## Configuring QoS Profile and Bearer Control Profile

There are multiple components that need to be configured to take full advantage of all aspects of this feature:

- [Creating the QoS Profile, on page 788](#)
- [Creating the Bearer Control Profile, on page 788](#)
- [Mapping QCI or QCI Range to the Bearer Control Profile, on page 789](#)
- [Configuring Rejection of Bearer Establishment per QCI, on page 790](#)
- [Configuring APN-AMBR Capping, on page 791](#)
- [Configuring ARP / GBR / MBR / QCI Capping for Dedicated/Default Bearers, on page 792](#)
- [Verifying the Configuration for the QoS Profile, on page 795](#)
- [Verifying the Configuration for the Bearer Control Profile, on page 795](#)
- [Associating the QoS Profile with an APN Profile, on page 796](#)
- [Verifying the Association Configuration, on page 797](#)



---

**Important** During configuration, to avoid the requirement to enter **-noconfirm** each time you create an entity (e.g., a profile), enter **autoconfirm** from the Global Configuration mode.

---

## Creating the QoS Profile

This command is now available for the use of the MME in the Global Configuration mode. This command enables the operator to create and configure an instance of a QoS profile for the MME.

```
configure
  quality-of-service-profile qos_profile_name
end
```

Notes:

- *qos\_profile\_name* - The defined value identifies the name of the QoS profile being created for the MME. The name must be an alphanumeric string of 1 through 100 characters and we recommend that the profile name be unique for the system. This profile name will be needed for other configuration tasks. The system enters the QoS Profile configuration mode and presents the following prompt:  
[local]host\_name(quality-of-service-profile-qos\_profile\_name)#.
- Multiple QoS parameters can be configured for the QoS profile. Refer to the *QoS Profile* section of the *Command Line Interface Reference* for command information.

## Creating the Bearer Control Profile

This command is new in the Global Configuration mode. This command enables the operator to create and configure an instance of a Bearer Control profile as part of the MME QoS Profile feature.

```

configure
  bearer-control-profile bc_profile_name
end

```

Notes:

- *bc\_profile\_name* - The defined value identifies the name of the Bearer Control profile being created for the MME. The name must be an alphanumeric string of 1 through 64 characters and we recommend that the profile name be unique for the system. This profile name will be needed for other configuration tasks. The system enters the Bearer Control Profile configuration mode and presents the following prompt: `[local]host_name(bearer-control-profile-bc_profile_name)#`.
- The Bearer Control Profile configuration mode provides commands to configure QoS parameters for dedicated bearers (see **dedicated-bearer** section below) and for default bearers (see **default-bearer** section below).
- Bearer level parameters such as ARP-PL, ARP-PVI, ARP-PCI, MBR, GBR, remap QCI value can be configured here independently for default/dedicated bearer along with the action to be taken, such as prefer-as-cap or pgw-upgrade.. Bearer Control profile can be applied for specific QCIs or range of QCIs.

## Mapping QCI or QCI Range to the Bearer Control Profile

Use the new **associate** command in Quality of Service Profile configuration mode to associate the Bearer Control profile with the QoS profile and map a specific QCI or a range of QCI to the Bearer Control profile being associated with the QoS profile.

```

configure
  quality-of-service-profile qos_profile_name
    associate bearer-control-profile bc_profile_name qci qci_value [ to
end_qci_value ]
    remove associate bearer-control-profile bc_profile_name
  end

```

Notes:

- *qos\_profile\_name* - Identifies the name of the QoS profile.
- *bc\_profile\_name* - Identifies the name of the Bearer Control profile being associated with the QoS profile.
- **qci** - Identifies either a specific QoS class identifier (QCI) or a range of QCI:
  - *qci\_value* - Enter an integer from 1 through 9 to identify a specific QCI.
  - **to** *end\_qci\_value* - Type "to" and then enter an integer from 2 through 9 that is greater than the QCI value entered for the beginning of the range.
- A specific QCI cannot be associated to more than one bearer control profile. The QCI of the bearer is used to identify the applicable bearer control profile.
  - For dedicated bearer, the QCI of bearer is initially determined by the QCI value received from PGW during dedicated bearer activation or the value received from peer MME/S4-SGSN.
  - For default bearer, the QCI of bearer is initially determined by the subscription from HSS or the value received from peer MME/S4-SGSN during inbound relocation.
- To delete the Bearer Control profile association with the QoS profile, issue the following command:

```

remove associate bearer-control-profile bc_profile_name

```

Earlier, MME rejected SRVCC procedures if a QCI value is not received from the subscription when a QoS profile is available. A new CLI **qci-when-missing-in-subscription** is added to the Quality of Service Profile

Configuration mode to assign a default QCI value when a QCI value is not received from the subscription. If this CLI is enabled, the configured QCI value is used as a default value for an available QoS profile.

A default QCI value can be assigned using the following configuration:

```
configure
  quality-of-service-profile profile_name
    [ remove ] qci-when-missing-in-subscription qci_value
  end
```



#### Note

- By default, this command is not enabled.
- **remove** disables its following configuration.
- **qci-when-missing-in-subscription** is used to assign a default QCI value when no value is received from the subscription for an available QoS profile.
- *qci\_value* in this configuration is considered as a default QCI value. The QCI value accepted is either a Standard QCI value or Operator Specific value. The Standard QCI values range from 1 to 9, and new Standard QCI values 69 and 70. The Operator Specific values range from 128 to 254. The configuration does not accept any other value apart from the ones mentioned above. For more information on Operator Specific QCI values, refer to *Operator Specific QCI* chapter in the *MME Administration Guide*.

## Configuring Rejection of Bearer Establishment per QCI

Use the new **qci-reject** command in Quality of Service Profile configuration mode to identify a specific QCI or a range of QCI for which the MME must reject bearer establishment or modification.

```
configure
  quality-of-service-profile qos_profile_name
    qci-reject { default-bearer | dedicated-bearer } qci qci_value [ to
  end_ qci_value ]
    remove qci-reject
  end
```

Notes:

- *qos\_profile\_name* - Identifies the name of the QoS profile.
- **dedicated-bearer qci** - Identifies either a specific QoS class identifier (QCI) or a range of QCI for the dedicated-bearer:
  - *qci\_value* - Enter an integer from 1 through 9 to identify a specific QCI.
  - **to end\_ *qci\_value*** - Type "to" and then enter an integer from 2 through 9 that is greater than the QCI value entered for the beginning of the range.
- **default-bearer qci** - Identifies either a specific QoS class identifier (QCI) or a range of QCI for the default-bearer:
  - *qci\_value* - Enter an integer from 5 through 9 to identify a specific QCI.
  - **to end\_ *qci\_value*** - Type "to" and then enter an integer from 6 through 9 that is greater than the QCI value entered for the beginning of the range.



- The MME can reject default-bearers and dedicated-bearers based on QCI received from the subscription or the peer-MME/S4-SGSN during inbound relocation or the Create Session Response / Update Bearer Request / Create Bearer Request procedure.
- To delete the QCI rejection configuration issue the following command:

```
remove qci-reject
```

## Configuring APN-AMBR Capping

Use the **apn-ambr** command in Quality of Service Profile configuration mode to set local values for capping type and action to be taken for APN-AMBR.

### configure

```
quality-of-service-profile qos_profile_name
  apn-ambr max-ul max_ul_val max-dl max_dl_val { pgw-upgrade | prefer-as-cap
} { local | minimum | rej-if-exceed }
  remove apn-ambr
end
```

### Notes:

- This keyword **max-ul** sets the local value for the maximum uplink bitrate. *max\_ul\_val* must be an integer from 0 through 1410065408.
- This keyword **max-dl** sets the local value for the maximum downlink bitrate. *max\_dl\_val* must be an integer from 0 through 1410065408.
- This command sets the QoS capping mechanism to be applied for APN-AMBR received from HSS/PGW/peer-node. One or both **prefer-as-cap** and/or **pgw-upgrade** must be configured to override the default behavior, which is to accept the received value from the HSS/peer-node/PGW.
- **prefer-as-cap** - This keyword configures the capping that is applied on the subscription value received from the HSS or the value received from the peer-node (MME/S4-SGSN) during inbound relocation. One of the following actions must be configured under **prefer-as-cap** -- Note that the resulting value is used for the QoS parameter and sent in the Create Session Request or the Modify Bearer Command (in case of HSS-initiated QoS/APN-AMBR modification) message:
  - **local** - The configured local value will be used.
  - **minimum** - The minimum (lowest) value of the configured local value or the HSS-provided value will be used.
  - **reject-if-exceed** - The request/procedure is rejected if the HSS-provided value exceeds the configured local value.
- **pgw-upgrade** - This keyword configures the QoS capping to be applied on the values received from the PGW during Attach / PDN-connectivity / Bearer-creation / Bearer-modification procedures. One of the following actions must be configured under **pgw-upgrade** -- Note that the resulting value is used for the QoS parameter and sent to the UE:
  - **local** - The configured local value will be used.
  - **minimum** - The minimum (lowest) value of the configured local value or the PGW-provided value will be used.
  - **reject-if-exceed** - The request/procedure is rejected if the PGW-provided value exceeds the configured local value.
- To delete the APN-AMBR capping configuration issue the following command:

```
remove apn-ambr
```

## Configuring ARP / GBR / MBR / QCI Capping for Dedicated/Default Bearers

The **dedicated-bearer** and **default-bearer** commands, in the Bearer Control Profile configuration mode, configure the QoS control parameters separately for the default-bearers and dedicated-bearers. The operator-provided values are configured for ARP-PL, ARP-PCI, ARP-PVI, MBR, GBR, and QCI, along with their prefer-as-cap or pgw-upgrade capping

```
configure
  bearer-control-profile bc_profile_name
    dedicated-bearer { arp { preemption-capability |
preemption-vulnerability | priority-level } pgw-upgrade | gbr gbr-up
gbr_up_value gbr-down gbr_down_value pgw-upgrade | mbr mbr-up mbr_up_value mbr-down
mbr_down_value pgw-upgrade | qci { remap | pgw-upgrade { local | minimum |
rej-if-exceed } } }
    default-bearer { arp { preemption-capability |
preemption-vulnerability | priority-level } { prefer-as-cap | pgw-upgrade
} { local | minimum | rej-if-exceed } | qci { remap | pgw-upgrade {
local | minimum | rej-if-exceed } } }
    remove { dedicated-bearer | default-bearer } { arp | gbr | mbr |
qci }
  end
```

Notes:

- Repeat the commands with different keywords to configure as many parameters as needed.
- The command **dedicated-bearer** sets the capping for the dedicated-bearer with the following parameters.
- The command **default-bearer** sets the capping for the default-bearer with the following parameters.
- The **arp** keyword configures the allocation and retention priority parameters:
  - **preemption-capability** - Enter an integer, either **0** (may) to specify that this bearer may pre-empt other lower priority bearers if required, or **1** (shall-not) to specify that this bearer shall not pre-empt other lower priority bearers.
  - **preemption-vulnerability** - Enter an integer, either **0** (pre-emptible) to specify that this bearer is pre-emptible by other high priority bearers, or **1** (not-pre-emptible) to specify that this bearer is not pre-emptible by other high priority bearers.
  - **priority-level** - Enter an integer 1 through 15, with 1 as the highest priority, to specify the allocation/retention priority level.
- The **pgw-upgrade** keyword can be included in the command with any of the other keywords. It identifies the capping mechanism to be used when QoS parameters are received from the PGW and the options include:
  - **local** - Instructs the MME to select locally configured values for QoS capping.
  - **minimum** - Instructs the MME to select the lower value, of the two values locally configured or received value, to use as the QoS capping value.
  - **rej-if-exceed** - Instructs the MME to reject the call if the received value exceeds the locally configured value.
- The **prefer-as-cap** keyword identifies the capping mechanism to be used when QoS parameters are received from the HSS and the options include:

- **local** - Instructs the MME to select locally configured values for QoS capping.
  - **minimum** - Instructs the MME to select the lower value, of the two values locally configured or received value, to use as the QoS capping value.
  - **rej-if-exceed** - Instructs the MME to reject the call if the received value exceeds the locally configured value.
- The **gbr** keyword configures the Guaranteed Bit Rate values. This keyword is only used for the dedicated-bearer configuration.
    - **gbr-up** - Enter an integer from 1 though 256000 to identify the desired uplink data rate in kbps.
    - **gbr-down** - Enter an integer from 1 though 256000 to identify the desired downlink data rate in kbps.
  - The **mbr** keyword configures the Maximum Bit Rate values. This keyword is only used for the dedicated-bearer configuration.
    - **mbr-up** - Enter an integer from 1 though 256000 to identify the desired uplink data rate in kbps.
    - **mbr-down** - Enter an integer from 1 though 256000 to identify the desired downlink data rate in kbps.
  - The **qci remap** keyword maps an incoming QCI or a range of QCI to a configured QCI or range of QCI. QCI remap is the first configuration that is applied, among the bearer profile configuration, and it is applicable only during Create Session Request and Create Bearer Request procedures. The bearer control profile associated to the remapped QCI value is used for capping the remaining QoS parameters. Enter an integer from 1 through 9.
  - Use the following command to delete either the default-bearer or dedicated bearer configuration:
 

```
remove { dedicated-bearer | default-bearer } { arp | gbr | mbr | qci }
      
```
  - **QoS Computation** - The following explains how the resultant QoS values are derived for the **minimum** and **reject-if-exceed** actions configured under **prefer-as-cap** or **pgw-upgrade**.
    - **QCI**
      - Every standard GBR/non-GBR QCI is associated with a priority level as per 3GPP TS 23.203 v12.10.0, Table 6.1.7.

QCI	Resource Type	Priority
1	GBR	2
2	GBR	4
3	GBR	3
4	GBR	5
5	non-GBR	1
6	non-GBR	6
7	non-GBR	7
8	non-GBR	8
9	non-GBR	9

- Priority Level 1 has the highest priority and in case of congestion lowest priority level traffic would be the first to be discarded.
- **minimum**: The QCI with lower priority level will be used.
- **rej-if-exceed**: If the received QCI has higher priority level than the configured local QCI, then the procedure will be rejected.

#### • ARP Priority Level

- ARP Priority level decreases on increasing value (1 to 15). ARP Priority level 1 has the highest priority value.
- **minimum**: The lower ARP Priority level (i.e. higher value) will be used.
- **rej-if-exceed**: If the received ARP Priority level is higher (i.e. value is lesser) than the CLI configured local ARP Priority level, then the procedure will be rejected.

#### • ARP-PCI

- Pre-emption capability indicator can have either of the following two values, where may (0) > shall-not (1)
  - *may* - specifies that this bearer may pre-empt other lower priority bearers, if required
  - *shall-not* - specifies that this bearer shall-not pre-empt other lower priority bearers.
- Following table indicates the resultant pre-emption capability for the *minimum* prefer-as-cap or pgw-upgrade

Received value	Configured local value	Resultant value to be used
may	may	may
may	shall-not	shall-not
shall-not	may	shall-not
shall-not	shall-not	shall-not

- *rej-if-exceed*: If the received ARP-PCI value is *may* and the configured local value is *shall-not*, then the procedure will be rejected.
- Default value set by MME if not provided by HSS/PGW : *shall-not*

#### • ARP-PVI

- Pre-emption vulnerability indicator can have either of the following two values, where *not-pre-emptible* (1) > *pre-emptible* (0)
  - *pre-emptible* - specifies that this bearer is pre-emptible by other high priority bearers
  - *not-pre-emptible* - specifies that this bearer is NOT pre-emptible by other high priority bearers
- Following table indicates the resultant pre-emption vulnerability for the *minimum* prefer-as-cap or pgw-upgrade:

Received value	Configured local value	Resultant value to be used
pre-emptible	pre-emptible	pre-emptible
pre-emptible	not-pre-emptible	pre-emptible

Received value	Configured local value	Resultant value to be used
not-pre-emptible	pre-emptible	pre-emptible
not-pre-emptible	not-pre-emptible	not-pre-emptible

- *rej-if-exceed*: If the received ARP-PVI value is *not-pre-emptible* and the configured local value is *pre-emptible*, then the procedure will be rejected.
- Default value set by the MME if not provided by the HSS/PGW : *pre-emptible*

#### • MBR / GBR

- *minimum*:
  - Uplink - The lower of the values, comparing the received values and the configured local value, will be used for APN-AMBR/MBR/GBR.
  - Downlink - The lower value of the received value and configured local value will be used for APN-AMBR/MBR/GBR.
- *rej-if-exceed*: If the received Uplink value is greater than the configured local Uplink value or the received Downlink value is greater than the configured local Downlink value, then the procedure will be rejected.

## Verifying the Configuration for the QoS Profile

Use the **show quality-of-service-profile full all | name *profile\_name*** command to view the configuration created for the QoS capping:

```
[local]MME# show quality-of-service-profile full all
Quality of Service (QoS) Profile Name      : mmeQoS1
Quality of Service Capping
  Prefer Type                               : Not ConfiguredQoS APN-AMBR:
QoS APN-AMBR                               :
  Max uplink                               : 3444
  Max downlink                             : 5266
  prefer-as-cap                             : rej-if-exceed
```

## Verifying the Configuration for the Bearer Control Profile

Use the **show bearer-control-profile full all | name *bcprofile\_name*** command to view the configuration created for the Bearer Control profile:

```
Bearer Control Profile Name: bcprofile_name
Default Bearer:
  QCI Remap Value : <val>
  QCI pgw-upgrade : local/minimum/rej-if-exceed
  ARP Priority Level : <val>
  prefer-as-cap : local/minimum/rej-if-exceed
  pgw-upgrade : local/minimum/rej-if-exceed
  ARP Preemption Capability : 0/1
  prefer-as-cap : local/minimum/rej-if-exceed
  pgw-upgrade : local/minimum/rej-if-exceed
  ARP Preemption Vulnerability: 0/1
  prefer-as-cap : local/minimum/rej-if-exceed
  pgw-upgrade : local/minimum/rej-if-exceed
```

```
Dedicated Bearer:
MBR UP : <val> Kbps MBR DOWN: <val> Kbps
pgw-upgrade : local/minimum/rej-if-exceed
GBR UP : <val> Kbps GBR DOWN: <val> Kbps
pgw-upgrade : local/minimum/rej-if-exceed
QCI Remap Value : <val>
QCI pgw-upgrade : local/minimum/rej-if-exceed
ARP Priority Level : <val>
pgw-upgrade : local/minimum/rej-if-exceed
ARP Preemption Capability : 0/1
pgw-upgrade : local/minimum/rej-if-exceed
ARP Preemption Vulnerability : 0/1
pgw-upgrade : local/minimum/rej-if-exceed
```

## Associating the QoS Profile with an APN Profile

Use the **associate** command in the APN Profile Configuration Mode to associate the MME's QoS profile with an APN profile. A new option, **eps**, has been provided for the **access-type** keyword to indicate the QoS profile supports 4G/EPS network requirements.

### configure

```
apn-profile apn_profile_name
  associate quality-of-service-profile qos_profile_name access type eps
  remove associate quality-of-service-profile access type eps
end
```

### Notes:

- *qos\_profile\_name* This value identifies the name of the QoS profile for the MME. The name must be an alphanumeric string of 1 through 100 characters and we recommend that the profile name be unique for the system.




---

**Important** Only one QoS profile for the MME can be associated with a single APN profile.

---

- The **eps** option for the **access-type** keyword associates the EPS network-type with this QoS profile. Selecting this type is required to enable the MME QoS Profile support functionality.
- To delete the QoS profile association with the APN profile, issue the following command:
 

```
remove associate quality-of-service-profile access-type eps
```
- For additional information about the **apn-profile** commands and the QoS parameters that can be configured under the APN profile, refer to the section on *APN Profile Configuration Commands* in the *Command Line Interface Reference*.




---

**Important** Once the MME's QoS profile is configured, these QoS parameter values override the QoS configurations in the APN profile.

---




---

**Important** The APN profile, hence the QoS profile, will not be valid until the APN profile is associated with an operator policy via the **apn** command. For more information, refer to the *Operator Policy Configuration Mode* section in the *Command Line Interface Reference*.

---

## Verifying the Association Configuration

Use the **show apn-profile full { all | name *apn\_profile\_name* }** to verify the association of the MME's QoS profile with the APN profile. The output of this command will provide information similar to the following:

```
[local]MME# show apn-profile full all
APN Profile Name                : apnprof3
Associated Quality of Service Profile Name (EPS) : MMEqos
Validity                        : Invalid
Resolution Priority              : dns-fallback
```

Note that the Validity is "Invalid". This will switch to "Valid" once the QoS profile is associated with an APN profile.

## Monitoring and Troubleshooting the QoS/Bearer Control Profiles

This section indicates how to troubleshoot the QoS profile and/or the Bearer Control profiles.

The MME sends out the QoS parameters (QCI, ARP, APN-AMBR/MBR, GBR) values based on the configuration from QoS and Bearer Control profiles in the following GTPv2 messages during bearer creation/modification/pdn connectivity/handover procedures:

- Create Session Request
- Modify Bearer Command
- Context Response
- Forward Relocation Request

The MME applies the 4G QoS control, based on the configuration from the QoS and Bearer Control profiles, over the received the QoS parameters (QCI, ARP, APN-AMBR or MBR, GBR) from the PGW/Peer node in the following GTPv2 messages during dedicated bearer creation/pgw-initiated QoS modification for default or dedicated bearer:

- Create Session Response or Update Bearer Request or Create Bearer Request

However, if the QoS profile and Bearer Control profile configurations are not enforced in the above messages, verify the following:

- Ensure subscriber-map is configured properly, for the particular set of users and includes an associated operator policy.
- Ensure the APN profile has been created and associated with an operator policy.
- Ensure the QoS profile is created with the access type as "eps" and associated under the APN Profile.
- Ensure the Bearer Control profile is created with required QoS parameters for QCI value received from HSS/PGW and remapped QCI value, if applicable, and ensure the Bearer Control profile is associated under the QoS profile.







## CHAPTER 85

# S10/S3-S11 Interface Separation

This chapter describes the following topics:

- [Feature Summary and Revision History](#), on page 799
- [Feature Description](#), on page 800
- [How It Works](#), on page 800
- [Configuring S10/S3 Interface Separation](#), on page 800
- [Monitoring and Troubleshooting](#), on page 801

## Feature Summary and Revision History

### Summary Data

Applicable Product(s) or Functional Area	MME
Applicable Platform(s)	<ul style="list-style-type: none"><li>• ASR 5500</li><li>• VPC-DI</li><li>• VPC-SI</li></ul>
Default Setting	Disabled - Configuration Required
Related Changes in This Release	Not Applicable
Related Documentation	<ul style="list-style-type: none"><li>• Command Line Interface Reference</li><li>• MME Administration Guide</li></ul>

### Revision History

Revision Details	Release
First introduced.	21.10

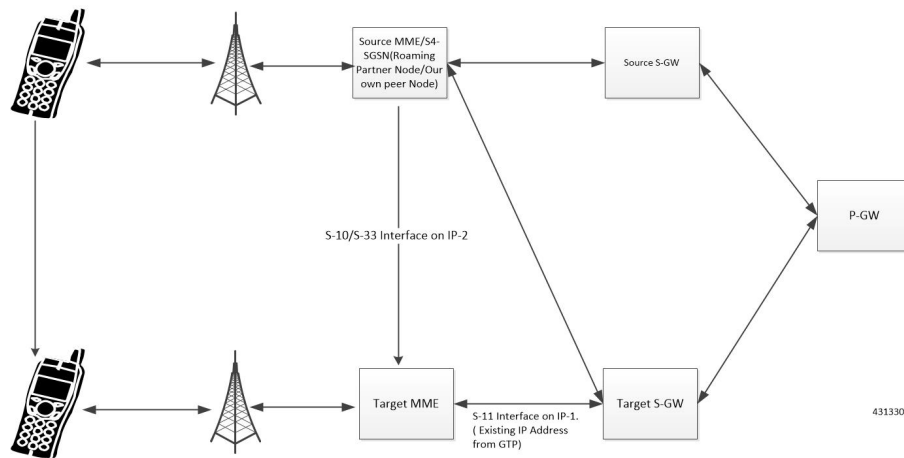
## Feature Description

MME supports association of additional EGTP service for handling S10/S3 interfaces. New CLI is introduced allowing MME to decide to use which egtp-interface for S10/S3 signalling to peer MME/SGSN for Handover scenarios.

## How It Works

### Flows

Separate IP Addressing for S11 and S10/S3 interfaces. All S11 Communication will be on IP-1 and S10 communication will on IP-2. This is applicable for both inter operator S10/S3(MME/SGSN) Handovers and intra operator S10/S3(MME/SGSN) Handovers.



### Limitations

This section describes the known limitations for S10/S3-S11-Interface Separation feature:

- Configuration changes like adding and deleting of GTPv2 interfaces is not supported during runtime.
- Changes to GTPv2 interfaces must be performed in service-mode only.
- When S10/S3 and S11 GTPv2 interfaces are separated, S10/S3 interface will only allow S10/S3 procedures on that interface other GTP messages will be discarded. Same is with respect to S11 interface.

## Configuring S10/S3 Interface Separation

This section provides information on the CLI commands to configure Configuring S10/S3 Interface Separation the in MME.

## egtp-s10-s3-service

Use the following configuration to associate EGTP service for S10/S3 interface to support Inter-Operator S10 Handover.

```
configure
context context_name
  mme-service service_name
    associate egtp-s10-s3-service service_name
  [ no ] associate egtp-s10-s3-service
end
```



---

**Important** Association of new egtp-s10-s3-service requires mme-service restart or system reload.

---

### NOTES:

- **no**: Removes the association for S10/S3 interface at MME.
- The **associate egtp-s10-s3-service** *service\_name* associate EGTP service for S10/S3 interface. *service\_name* must be an alphanumeric string of size 1 to 63 characters.

## Monitoring and Troubleshooting

This section provides information regarding show commands and bulk statistics available to monitor and troubleshoot the EGTP S10/S3 Service Separation feature.

### Show Commands and Outputs

#### show mme-service all

The output of this command includes the following fields:

- EGTP S10/S3 Context
- EGTP S10/S3 Service





## CHAPTER 86

# S13 Additional IMEI Check

The Cisco MME supports the 3GPP-standard S13 interface towards an Equipment Identity Register (EIR) server. This document describes an MME enhancement to send additional mobile equipment identity checking requests to the EIR server over the S13 interface.

- [Feature Description, on page 803](#)
- [How It Works, on page 803](#)
- [Configuration, on page 805](#)
- [Monitoring and Troubleshooting, on page 807](#)

## Feature Description

The 'S13 Additional IMEI Check' feature is an MME enhancement to send additional International Mobile Equipment Identity (IMEI) check requests - Mobile Identity check Request (MICR) towards the EIR server over the S13 interface. The additional MICR will include additional information, non-standard AVPs: the Mobile Station International Subscriber Directory Number (MSISDN) and the e-UTRAN Cell Global Identifier (e-CGI). As well, the sending of the additional information will be triggered by various UE procedures (Attach, TAU, and Handover).

Use of the 'S13 Additional IMEI Check' feature is CLI controlled. By default, the Cisco MME supports the 3GPP-standard S13 interface towards an EIR server, which includes sending IMEI check requests containing the two AVPs, IMEI and IMSI, as defined in 3GPP TS 29.272 section 6.2.1.1.

For additional information about the two additional AVPs, please refer to:

- MSISN, the standard Diameter AVP, is defined in section 6.3.2 of 3GPP TS 29.329.
- eCGI is defined in section 7.3.117 of 3GPP TS 29.272.

No feature-specific license is required for this feature.

## How It Works

### Overview

This 'S13 Additional IMEI Check' feature uses the S13 interface between the MME and the EIR to send an additional IMEI check request (MICR) containing not the two but four AVPs: IMEI, IMSI, MSISDN, and eCGI.

There is no change in the call flow for this additional MICR. Attach/TAU/HO procedures continue as defined by 3GPP TS 29.272. This means that if this feature is accidentally enabled in the configuration, there is no impact on subscriber call flows.

Existing Diameter statistics (as well as existing bulk statistics) for EIR messaging are still applicable and can be used for monitoring. New statistics have been added to help monitor and troubleshoot this feature (see *Monitoring and Troubleshooting* section).

### Operational Criteria

The MME will

- support the S13 Additional IMEI Check functionality, in addition to the default functionality, if the feature is enabled via CLI.
- continue to support the standard IMEI Check Request procedure with the EIR to ensure the MME continues the UE procedure even if the additional MICR procedure with the EIR fails due to error response or timeout.
- send the additional IMEI check request with the additional AVPs only if **all four AVPs** mentioned are available.
- send the additional IMEI check request with the additional AVPs to EIR during any one of the following procedures:
  - Initial Attach
  - GUTI Attach (normal)
  - Inter TAU
  - Periodic TAU
  - Handover (S1, X2)

### Operational Requirements

1. The MME must be configured to enable the S13 Additional IMEI Check feature (refer to *Configuration* section).
2. The MME service must be configured to fetch IMEI numbers in advance to use during additional MICR (refer to *Configuration* section).
3. The custom2 dictionary must be selected for the EIR-endpoint under the HSS Peer Service to enable sending of the MSISDN and eCGI values (refer to *Configuration* section).
4. This feature reuses the Mobile Identity check Request (MICR) towards the EIR and adds two AVPs in addition to those defined by the 3GPP standards. So, the receiving EIR needs to be capable of handling and understanding the additional AVPs.



---

**Note** Not every EIR is capable of handling the additional AVPs. Hence, it is likely that this feature will not be useful to all operators.

---

# Configuration

All configurations listed below must be completed to enable S13 Additional IMEI Checking functionality.

## Enabling S13 Additional IMEI Check Request

A command has been added to the MME Service configuration mode to enable the MME to send additional Mobile Identity check Requests (MICR) towards the EIR over the S13 interface. You must choose at least one triggering UE procedure.

### configure

```
context context_name
  mme-service service_name
    [ no ] s13 additional-id-check { attach | handover | tau }
  end
```

Notes:

- *service\_name* - Service names for all services should be unique per chassis.
- **no** - This command filter instructs the MME to remove the specified feature configuration from the MME Service configuration.
- **attach** - This keyword instructs the MME to send additional MICR in response to an Attach procedure.
- **handover** - This keyword instructs the MME to send additional MICR in response to a Handover procedure.
- **tau** - This keyword instructs the MME to send additional MICR in response to a Tracking Area Update procedure.
- The command can be repeated to configure multiple triggering procedures.
- For additional command information, refer to the *Command Line Interface Reference*.

## Enabling Fetching of IMEI Number

This feature uses the existing syntax that configures the MME service to query the UE to fetch the IMEI during Attach and Tracking Area Update (TAU) procedures. The fetched IMEI is used in the additional MICR during the Attach and/or TAU procedures.

### config

```
context context_name
  mme-service service_name
    policy attach imei-query-type { imei | imei-sv | none }
    policy tau imei-query-type { imei | imei-sv | none }
    default policy [ attach | tau ] imei-query-type
  end
```

Notes:

- *service\_name* - Service names for all services should be unique per chassis.

- **policy attach imei-query-type** - This command string configures the IMEI query type during UE Attach:
  - **imei** : Specifies that the MME is required to fetch the UE's International Mobile Equipment Identity (IMEI).
  - **imei-sv**: Specifies that the MME is required to fetch the UE's International Mobile Equipment Identity - Software Version (IMEI-SV).
  - **none**: Specifies that the MME does not need to query the UE to fetch either the IMEI or IMEI-SV. This is the default setting.
- **default** - Including this command filter returns the command to its default setting of 'none' for **imei-query-type**.
- For additional command information, refer to the *Command Line Interface Reference*.

### Enabling custom2 Dictionary as EIR End-point

Use the following syntax to select the 'custom2' dictionary for the EIR end-point, under the HSS-Peer service configuration, to send MSISDN and eCGI values in the additional MICR.

```
config
  context context_name
    hss-peer-service service_name
      diameter hss-dictionary dictionary eir-dictionary custom2
      default diameter hss-dictionary eir-dictionary
    end
```

Notes:

- *context\_name* - It is not required to configure the MME and HSS-Peer services to be in the same context.
- *service\_name* - Service names for all services should be unique per chassis.
- **hss-dictionary dictionary** - This keyword identifies the dictionary to be used for the HSS Peer Service. Enter the name of the dictionary to be used as the HSS Diameter dictionary.
- **eir-dictionary** - This keyword specifies that an Equipment Identity Register (EIR) dictionary is to be used in conjunction with the HSS Diameter dictionary.
- **custom2** - This keyword selects the **custom2** dictionary, created for the MME's S13 Additional IMEI Check feature, to be used as the EIR dictionary.
- **default** - This command filter instructs the MME to reset the HSS Diameter dictionary and the EIR dictionary to the **standard** dictionary.
- For additional command information, refer to the *Command Line Interface Reference*.



# Monitoring and Troubleshooting

## Verifying Configuration

Use the following show command, from the Exec mode, to verify the configuration for this feature. The output generated by this command will look similar to the following to indicate the features configuration:

```
show mme-service name service_name
```

```
s13-additional-id-check :
  Attach: Enabled/Disabled
  TAU: Enabled/Disabled
  Handover: Enabled/Disabled
```

## Monitoring Additional IMEI Check Request-related Statistics

Use the following show command, from the Exec mode, to use the monitoring statistics created for this feature. The output generated by this command will look similar to the following:

```
show mme-service statistics mme-service service_name
```

```
S13 statistics:
Additional ME Identity Check Procedures (Attach):
  Requests: 0   Answer : 0
  Success : 0   Failure : 0
  Timeout : 0

Additional ME Identity Check Procedures (TAU):
  Requests: 0   Answer : 0
  Success : 0   Failure : 0
  Timeout : 0

Additional ME Identity Check Procedures (Handover):
  Requests: 0   Answer : 0
  Success : 0   Failure : 0
  Timeout : 0
```

## Monitoring Additional IMEI Check Request-related Bulk Statistics

The following bulk statistics have been created in the MME schema to monitor additional IMEI check functions:

- msg-addtnl-mic-req
- msg-addtnl-mic-ans
- msg-addtnl-mica-success
- msg-addtnl-mica-failure
- msg-addtnl-mica-timeout

## Monitoring Default IMEI Check Request Functionality

The default functionality is not new. You can use the existing bulk statistics in the HSS schema for tracking the MICR messaging for the default MICR functionality:

- msg-mic-req

- msg-mic-ans
- msg-mic-retries
- msg-mica-timeout
- msg-mica-drop



# CHAPTER 87

## SBc Message Size

- [Feature Summary and Revision History](#), on page 809
- [Feature Changes](#), on page 810
- [Performance Indicator Changes](#), on page 810

## Feature Summary and Revision History

### Summary Data

Applicable Product(s) or Functional Area	MME
Applicable Platform(s)	<ul style="list-style-type: none"><li>• ASR 5500</li><li>• VPC-DI</li><li>• VPC-SI</li></ul>
Feature Default	Disabled – Configuration Required
Related Changes in This Release	Not applicable
Related Documentation	<i>MME Administration Guide</i>

### Revision History



**Important** Revision history details are not provided for features introduced before releases 21.2 and N5.1.

Revision Details	Release
New SNMP trap "CBCBufSizeExceeded" is introduced and peer-id added to the existing log.	21.11
The CBC can handle bigger SBc messages up to 50K bytes.	21.9

Revision Details	Release
First introduced.	Pre 21.2

## Feature Changes

The MME uses the SBc interface, between the MME and the Cell Broadcast Center (CBC), for warning message delivery and control functions. In this release, the SBc message size is increased to handle large messages.

**Previous Behavior:** When CBC sends the warning messages, MME dropped the SBc messages with size greater than 10K bytes.

**New Behavior:** When CBC sends the warning messages, the MME can handle SBc messages up to 50K bytes. If the MME receives the WRITE-REPLACE WARNING REQUEST over 50K bytes, the message cannot be processed and a warning syslog is generated.

When the size of the received SBc message is greater than 50 KB, a log with peer-id is displayed. The system also generates a SNMP trap “CBCBufSizeExceeded”.

**Customer Impact:** With this enhancement, the CBC can send bigger SBc messages with more cell/tac information. Customer can troubleshoot easily with the new trap.

## Performance Indicator Changes

### show snmp trap statistics

The output of this command includes "CBCBufSizeExceeded" field to indicate number of times the trap is hit.

### SNMP Traps

A new trap "starCBCBufSizeExceeded" is introduced to indicate CBC message exceeded the buffer size limit.



## CHAPTER 88

# Selective Authentication

This chapter describes configuration of Selective Authentication of the UE on the MME is based on time and frequency of access attempts.

- [Feature Description, on page 811](#)
- [How It Works, on page 811](#)
- [Configuring Selective Authentication, on page 813](#)
- [Monitoring and Troubleshooting Selective Authentication in MME, on page 815](#)

## Feature Description

The MME performs UE authentication on receiving NAS requests. Authentication procedures can be defined for Attach procedures, Service requests and Tracking Area Update (TAU) procedures. These authentication procedures increase signaling towards the RAN and HSS. Selective Authentication is adopted to reduce signaling traffic towards the RAN and HSS. Selective Authentication is achieved by implementing frequency and periodicity based authentication of UE.

In a frequency-based selective authentication scenario the UE is authenticated based on configured frequency of access attempts. The configured frequency specifies the access-attempts per-UE and not across UEs. For example if the configured frequency is "n", the UE is authenticated for every n<sup>th</sup> NAS request received. The decision to authenticate is based on every n<sup>th</sup> request and not based on 'n' requests since last authentication. Where the n<sup>th</sup> request is equal to a multiple of n. (for example if n = 2, it will be 2,4,6,8 and so on)

In a periodicity-based selective authentication scenario the UE is authenticated based on configured periodicity. For example if the configured periodicity is "t", the UE is authenticated at every "t" minutes.

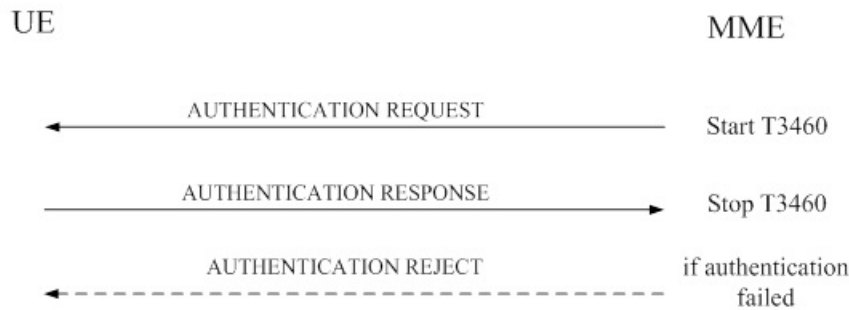
The frequency-based authentication is independent of the configured periodicity. However, periodicity-based authentication attempts are relative to the last UE authentication time. The last UE authentication attempt time is updated whenever an UE authentication is attempted irrespective of the authentication trigger.

## How It Works

### Flows

The following diagram illustrates the messages exchanged during network-initiated authentication:

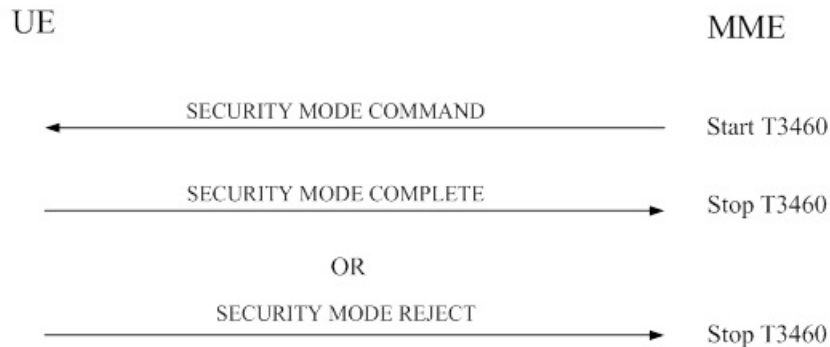
Figure 80: Network-initiated Authentication



1. The MME sends an AUTHENTICATION REQUEST message to the UE. The time duration for the T3460 timer starts. This timer starts when the network initiates the authentication procedure by sending an AUTHENTICATION REQUEST message to the UE and stops upon receipt of the AUTHENTICATION RESPONSE message.
2. The UE responds with an AUTHENTICATION RESPONSE message to the MME, the T3460 timer stops once the MME receives the AUTHENTICATION RESPONSE message.
3. If the authentication procedure fails, the MME sends an AUTHENTICATION REJECT message to the UE.

If the authentication procedure is successful the MME performs the security mode control procedure to utilize the new EPS security context. The following diagram depicts the security mode control procedure:

Figure 81: Security mode control procedure



1. The MME sends a SECURITY MODE COMMAND message to the UE. The time duration for the T3460 timer starts. This timer starts when the network initiates the security mode control procedure by sending a SECURITY MODE COMMAND message to the UE and stops upon receipt of the SECURITY MODE COMPLETE message.
2. The UE responds with a SECURITY MODE COMPLETE message to the MME, the T3460 timer stops once the MME receives the SECURITY MODE COMPLETE message.
3. If the security mode control procedure fails, the MME sends a SECURITY MODE REJECT message to the UE.

## Limitations

The MME does not maintain periodicity and frequency across session recovery.

The **frequency** and **periodicity** configured to trigger authentication/GUTI reallocation requires the new session setup message (NAS Attach/TAU) to be processed by the Session Manager instance which has the corresponding MME DB for the subscriber. If the MME DB is not available the **frequency** and **periodicity** triggers will not work. For example, if the mobile identifier in the NAS Attach/TAU message is a foreign GUTI and additional GUTI is not present, the MME does not trigger authentication/GUTI reallocation for the subscriber based on frequency/periodicity.

## Configuring Selective Authentication

The following sections describe various procedures to configure selective authentication procedures on the MME.

Selective authentication is not set up by default for any of the following procedures.

### Configuring Selective Authentication during Attach Procedures

```
config
  call-control-profile profile_name
    [ remove ] authenticate attach [ inter-rat ] { frequency frequency |
periodicity duration }
    no authenticate attach
  end
```

Notes:

- The **frequency** keyword specifies the frequency that authentication is performed for the Attach Procedures; how many Attach Requests occur before the next authentication. If the frequency is set for 12, then the service skips authentication for the first 11 events and authenticates on the twelfth event.

In releases prior to 21.2: The frequency value is an integer from 1 up to 16.

In 21.2 and later releases: The frequency value is an integer from 1 up to 256.

- The **periodicity** keyword specifies authentication periodicity; the number of minutes between the times the MME authenticates the UE. The periodicity value is an integer from 1 through 10800. For example, if the configured periodicity is "20" minutes, the UE is authenticated at every "20" minutes.
- The **remove** command prefix instructs the MME to delete the defined authentication procedures for Attach Requests from the call control profile configuration file.
- The **no** command prefix instructs the MME to disable authentication for the attach procedures.

### Configuring Selective Authentication during TAU Procedures

The following command is used to configure the frequency and periodicity for selective UE authentication during TAU Procedures:

```
config
  call-control-profile profile_name
    [ remove ] authenticate tau [ { inter-rat | intra-rat | normal |
```

```

periodic } ] [ { frequency frequency | periodicity duration } ]
no authenticate tau
end

```

Notes:

- The keyword **inter-rat** specifies authentication to be applied for Inter-RAT TAU.
- The keyword **intra-rat** specifies authentication to be applied for Intra-RAT TAU.
- The keyword **normal** specifies authentication to be applied for normal (TA/LA update) TAU.
- The keyword **periodic** specifies authentication to be applied for periodic TAU.
- The **frequency** keyword specifies how often authentication is performed for tracking area update (TAU) procedures; specifically, how many TAUs occur before the next authentication. For example, if the frequency is set for 12, then the service skips authentication for the first 11 events and authenticates on the twelfth event.

In releases prior to 21.2: The frequency value is an integer from 1 up to 16.

In 21.2 and later releases: The frequency value is an integer from 1 up to 256.

- The **periodicity** keyword specifies the period of time, in minutes, between the times the MME authenticates the UE. The periodicity value is an integer from 1 through 10800. For example, if the configured periodicity is "20" minutes, the UE is authenticated every "20" minutes.
- The **remove** command prefix instructs the MME to delete the defined authentication procedures for TAUs from the call control profile configuration file.
- The **no** command prefix disables the authentication procedures specified in the call control profile configuration.

## Configuring Selective Authentication during All Events

The following command is used to configure the frequency and periodicity for selective UE authentication for all events (Attach or TAU):

```

config
  call-control-profile profile_name
    [ remove ] authenticate all-events [ { frequency frequency |
periodicity duration } ]
  no authenticate all-events
end

```

Notes:

- The **frequency** keyword sets how often authentication is performed for any event. If the frequency value is set to 5, then authentication is not done till the 5th event.

In releases prior to 21.2: The frequency value is an integer from 1 up to 16.

In 21.2 and later releases: The frequency value is an integer from 1 up to 256.

- The **periodicity** keyword instructs the MME how many minutes to wait between each UE authentications. The periodicity value is an integer from 1 through 10800.
- The **remove** command prefix instructs the MME to delete the defined authentication procedures for all events from the call control profile configuration file.
- The **no** command prefix instructs the MME to disable authentication for all events.



## Configuring Selective Authentication during Service Requests

The following command is used to configure the frequency and periodicity for selective UE authentication for all Service Requests:

```

config
  call-control-profile profile_name
    [ remove ] authenticate service-request [ service-type { data |
page-response | signaling } ] [ frequency frequency | periodicity duration }
  ]
  no authenticate service-request
end

```

Notes:

- The keyword **service-type** specifies the service-type classification.
- The keyword **data** specifies service-type for data service requests.
- The keyword **page-response** service-type for service requests in response to paging.
- The keyword **signaling** specifies service-type for service requests due to other signaling.
- The **frequency** keyword sets how often (frequency) UE authentication occurs. If the frequency is set to 12, then the service skips authentication for the first 11 events and authenticates on the twelfth event.

In releases prior to 21.2: The frequency value is an integer from 1 up to 16.

In 21.2 and later releases: The frequency value is an integer from 1 up to 256.

- The **periodicity** keyword defines the amount of time (in minutes) between UE authentications. The periodicity value must be an integer from 1 through 10800 minutes; for example, if the configured periodicity is "20" minutes, the UE is authenticated every "20" minutes.
- The **remove** command prefix instructs the MME to delete the Service Request authentication procedures specified in the call control profile configuration.
- The **no** command prefix instructs the MME to disable the Service Request authentication procedures.

## Monitoring and Troubleshooting Selective Authentication in MME

### Selective Authentication Show Command(s) and/or Outputs

This section provides information regarding show commands and/or their outputs in support of the Selective Authentication feature in MME.

#### show call-control-profile full all

The following fields show output to illustrate the configured Selective Authentication parameters:

- Authentication All-Events ANY (UMTS/GPRS/EUTRAN) Frequency
- Authentication All-Events ANY (UMTS/GPRS/EUTRAN) Frequency Value
- Authentication All-Events ANY (UMTS/GPRS/EUTRAN) Periodicity
- Authentication All-Events ANY (UMTS/GPRS/EUTRAN) Periodicity Value
- Authentication Attach ANY Frequency

- Authentication Attach ANY (UMTS/GPRS/EUTRAN) Frequency Value
- Authentication Attach ANY Periodicity
- Authentication Attach ANY Periodicity Value
- Authentication Attach Inter-rat ANY (UMTS/GPRS/EUTRAN) Frequency
- Authentication Attach Inter-rat ANY (UMTS/GPRS/EUTRAN) Frequency Value
- Authentication Attach Inter-rat ANY Periodicity
- Authentication Attach Inter-rat ANY Periodicity Value
- Authentication Service Req Frequency
- Authentication Service Req Frequency Value
- Authentication Service Req Periodicity
- Authentication Service Req Periodicity Value
- Authentication Service Req Data Frequency
- Authentication Service Req Data Frequency Value
- Authentication Service Req Data Periodicity
- Authentication Service Req Data Periodicity Value
- Authentication Service Req Signaling Frequency
- Authentication Service Req Signaling Frequency Value
- Authentication Service Req Signaling Periodicity
- Authentication Service Req Signaling Periodicity Value
- Authentication Service Req Page Response Frequency
- Authentication Service Req Page Response Frequency Value
- Authentication Service Req Page Response Periodicity
- Authentication Service Req Page Response Periodicity Value
- Authentication TAU Frequency
- Authentication TAU Frequency Value
- Authentication TAU Periodicity
- Authentication TAU Periodicity Value
- Authentication Inter-RAT TAU Frequency
- Authentication TAU Frequency Value
- Authentication TAU Inter-rat Periodicity
- Authentication TAU Inter-rat Periodicity Value
- Authentication Intra-RAT TAU Frequency
- Authentication Intra-RAT TAU Frequency Value
- Authentication TAU Intra-rat Periodicity
- Authentication TAU Intra-rat Periodicity Value
- Authentication Normal TAU Frequency
- Authentication Normal TAU Frequency Value
- Authentication TAU Normal Periodicity
- Authentication TAU Normal Periodicity Value
- Authentication Periodic TAU Frequency
- Authentication Periodic TAU Frequency Value
- Authentication TAU Periodic Periodicity
- Authentication TAU Periodic Periodicity Value



## CHAPTER 89

# Sending EMM Information during Periodic TAU

- [Feature Summary and Revision History, on page 817](#)
- [Feature Description, on page 818](#)
- [Configuring EMM Information, on page 818](#)
- [Monitoring and Troubleshooting, on page 819](#)

## Feature Summary and Revision History

### Summary Data

Applicable Product(s) or Functional Area	MME
Applicable Platform(s)	<ul style="list-style-type: none"><li>• ASR 5500</li><li>• VPC-DI</li><li>• VPC-SI</li></ul>
Feature Default	Disabled - Configuration Required
Related Changes in This Release	Not Applicable
Related Documentation	<ul style="list-style-type: none"><li>• <i>Command Line Interface Reference</i></li><li>• <i>MME Administration Guide</i></li><li>• <i>Statistics and Counters Reference</i></li></ul>

### Revision History

Revision Details	Release
First introduced.	21.25

## Feature Description

The MME sends EMM information to the UE during normal and handover TAU procedures. The MME can be configured to send EMM information in periodic TAU even in scenarios when the active flag is not set.

In releases prior to 21.25, MME sent the EMM information to UE during periodic TAU when an active flag was set. When the active flag was not set during periodic TAU, the NB-IoT UE did not receive the EMM information from MME.

## Configuring EMM Information

This section describes the configuration to enable or disable EMM information for periodic TAU in the Call Control Profile Configuration and MME Service Configuration modes.

### Configuring EMM Information in Call Control Profile

Use the following sample configuration to enable or disable EMM information in the Call Control profile for periodic TAU when active flag is not set:

```
configure
  call-control-profile profile_name
    [ remove ] tau { send-emm-info } [ access-type { all | nb-iot |
wb-eutran } ]
  end
```

### Configuring EMM Information in MME Service

Use the following sample configuration to enable or disable EMM information in the MME service for periodic TAU when active flag is not set:

```
configure
  context context_name
    mme-service service_name
      [ default ] { policy } tau { send-emm-info } [ access-type { all
| nb-iot | wb-eutran } ]
    end
```




---

**Note** The **set-ue-time** option under **tau** in the mme-service configuration must be enabled for this feature.

---

#### NOTES:

- **tau**: Enables the tracking area update procedure.
- **send-emm-info**: Sends EMM information to UE in case of Periodic TAU with Active Flag not set.
- **access-type { all | nb-iot | wb-eutran }**: Enables access type extension.
  - **nb-iot**: Enables the configuration for NB-IoT access type.
  - **wb-eutran**: Enables the configuration for WB-EUTRAN access type.

- **all**: Enables the configuration for NB-IoT and WB-EUTRAN access types.
- **remove**: Removes the configured values.
- **default**: Restores the configuration to default (disabled) state.

## Monitoring and Troubleshooting

This section provides information on how to monitor and troubleshoot this feature using the show commands.

### Show Commands and Outputs

This section provides information regarding show commands and/or their outputs in support of this feature.

#### **show mme-service statistics**

The output of this command displays the following fields:

- Send EMM in Periodic TAU without Bearer Activation:
  - NB-IOT—Displays the count for NB-IoT access type.
  - WB-EUTRAN—Displays the count for WB-EUTRAN access type.

#### **show mme-service all**

The output of this command displays the following fields:

- Send EMM Info for Periodic TAU—Indicates whether the EMM information for periodic TAU is enabled or disabled.
  - Access Type—Indicates the access type—WB-EUTRAN, NB-IOT, or WB-EUTRAN and NB-IOT.

#### **show call-control profile full all**

The output of this command displays the following fields:

- Send EMM Info for Periodic TAU—Indicates whether the EMM information for periodic TAU is enabled or disabled.
  - Access Type—Indicates the access type—WB-EUTRAN, NB-IOT, or WB-EUTRAN and NB-IOT.





## CHAPTER 90

# Session Tracing

Session Tracing allows an operator to trace subscriber activity at various points in the network and at various levels of detail in an EPS network. This chapter provides information on how the MME implements subscriber Session Tracing functionality in the LTE service.

- [Feature Description, on page 821](#)
- [How Session Tracing Works, on page 823](#)
- [Session Trace Configuration, on page 827](#)
- [Monitoring and Troubleshooting the Session Trace, on page 831](#)

## Feature Description

The Session Tracing feature provides a 3GPP standards-based subscriber session-level trace function for call debugging and testing new functions and access terminals in an LTE environment.

In general, the Session Trace capability records and forwards all control activity for the monitored subscriber on the monitored interfaces. This is typically all the signaling and authentication/subscriber services messages that flow when a UE connects to the access network.

The EPC network entities like MME, S-GW, P-GW support 3GPP standards based session-level trace capabilities to monitor all call control events on the respective monitored interfaces including S6a, S1-MME and S11 on MME, S5, S8, S11 at S-GW and S5 and S8 on P-GW. The trace can be initiated using multiple methods:

- Management initiation via direct CLI configuration
- Management initiation at HSS with trace activation via authentication response messages over S6a reference interface
- Signaling-based activation through signaling from subscriber access terminal



---

**Important** Once the trace is provisioned it can be provisioned through the access cloud via various signaling interfaces.

---

The session level trace function consists of trace activation followed by triggers. The time between the two events is where the EPC network element buffers the trace activation instructions for the provisioned subscriber in memory using camp-on monitoring. Trace files for active calls are buffered as XML files using non-volatile memory on the local dual redundant hard drives on the chassis. The trace depth defines the granularity of data

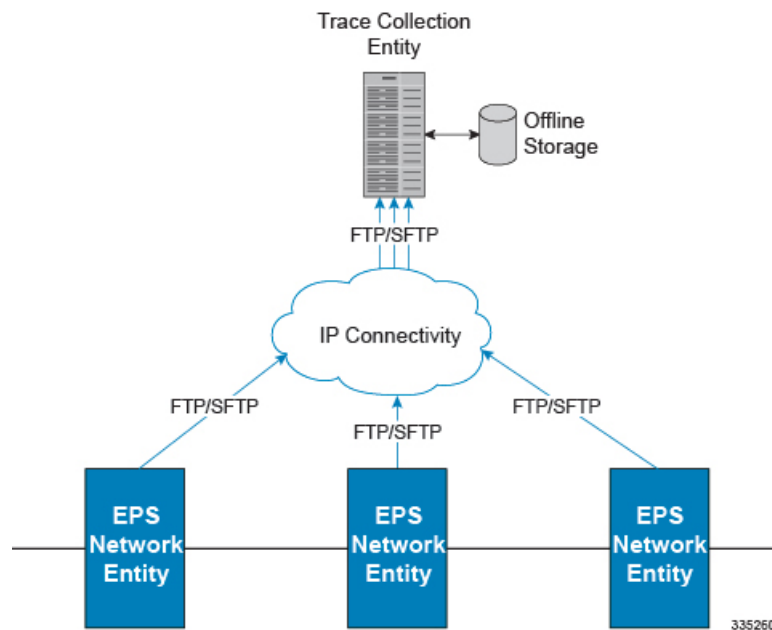
to be traced. Six levels are defined including maximum, minimum and medium with ability to configure additional levels based on vendor extensions.



**Important** Only maximum trace depth is supported.

The following figure shows a high-level overview of the session-trace functionality and deployment scenario:

**Figure 82: Session Trace Function and Interfaces**



All call control activity for active and recorded sessions is sent to an off-line Trace Collection Entity (TCE) using a standards-based XML format over a FTP or secure FTP (SFTP) connection.

Note: The IPv4 interfaces are used to provide connectivity to the TCE. trace activation is based on IMSI or IMEI.

## Supported Functions

This section provides the list of supported functionality of this feature support:

- Support to trace the control flow through the access network.
  - Trace of specific subscriber identified by IMSI
  - Trace of UE identified by IMEI(SV)
- Ability to specify specific functional entities and interfaces where tracing should occur.
- Scalability and capacity
  - Support up to 32 simultaneous session traces per MME
  - Each MME is equipped with a storage buffer of size 40 MB to collect trace files locally
- Statistics and State Support



- Session Trace Details
- Management and Signaling-based activation models
- Trace Parameter Propagation
- Trace Scope (EPS Only)
  - MME: S10, S11, S13, S1-MME, S3, S6A
  - S-GW: S4, S5, S8, S11, Gxc
  - PDN-GW: S2a, S2b, S2c, S5, S6b, Gx, S8, SGi
- Trace Depth: Maximum, Minimum, Medium (with or without vendor extension)
- XML Encoding of Data as per 3GPP standard 3GPP TS 32.422 V8.6.0 (2009-09)
- Trace Collection Entity (TCE) Support
  - Active pushing of files to the TCE
  - Passive pulling of files by the TCE
- 1 TCE support per context
- Trace Session Recovery after Failure of Session Manager

## Standards Compliance

Support for the following standards and requests for comments (RFCs) have been added with this interface support:

- 3GPP TS 32.421 V10.5.0: 3rd Generation Partnership Project Technical Specification Group Services and System Aspects Telecommunication management Subscriber and equipment trace: Trace concepts and requirements (Release 10)
- 3GPP TS 32.422 V10.5.0: 3rd Generation Partnership Project Technical Specification Group Services and System Aspects Telecommunication management Subscriber and equipment trace Trace control and configuration management (Release 10)
- 3GPP TS 32.423 V10.5.0: 3rd Generation Partnership Project Technical Specification Group Services and System Aspects Telecommunication management Subscriber and equipment trace: Trace data definition and management (Release 10)

## How Session Tracing Works

This section describes the various functionality involved in tracing subscriber sessions on EPC nodes.

### Operation

The session trace functionality is separated into two steps - activation and trigger.

Before tracing can begin, it must be activated. Activation is done either via management request or when a UE initiates a signaled connection. After activation, tracing actually begins when it is triggered (defined by a set of trigger events).

## Trace Session

A trace session is the time between trace activation and trace de-activation. It defines the state of a trace session, including all user profile configuration, monitoring points, and start/stop triggers. It is uniquely identified by a Trace Reference.

The Trace Reference id is composed of the MCC (3 digits) + the MNC (3 digits) + the trace Id (3 byte octet string).



---

**Important**

On a session manager failure, the control activity that has been traced, but not written to file, will be lost. However, the trace sessions will continue to persist and future signals will be captured as expected.

---

## Trace Recording Session

A trace recording session is a time period in which activity is actually being recorded and traceable data is being forwarded to the TCE. A trace recording session is initiated when a start trigger event occurs and continues until the stop trigger event occurs and is uniquely identified by a Trace Recording Session Reference.

## Network Element (NE)

Network elements are the functional component to facilitate subscriber session trace in mobile network.

The term network element refers to a functional component that has standard interfaces in and out of it. It is typically shown as a stand-alone AGW. Examples of NEs are the MME, S-GW, and P-GW.

Currently, subscriber session trace is not supported for co-located network elements in the EPC network.

## Activation

Activation of a trace is similar whether it be via the management interface or via a signaling interface. In both cases, a trace session state block is allocated which stores all configuration and state information for the trace session. In addition, a (S)FTP connection to the TCE is established if one does not already exist (if this is the first trace session established, odds are there will not be a (S)FTP connection already established to the TCE).

If the session to be traced is already active, tracing may begin immediately. Otherwise, tracing activity concludes until the start trigger occurs (typically when the subscriber or UE under trace initiates a connection). A failure to activate a trace (due to max exceeded or some other failure reason) results in a notification being sent to the TCE indicating the failure. If the (S)FTP connection is not established with the TCE, the TCE connectivity needs to be checked. Nevertheless, the MME continues to send the trace files to the TCE, and tries to establish an (S)FTP connection. The MME provides a storage buffer of size 40 MB to collect the trace files locally.

## Management Activation

The Operator can activate a trace session by directly logging in to the NE and enabling the session trace (for command information, see *Enabling Subscriber Session Trace on EPC Network Element* section below). The NE establishes the trace session and waits for a triggering event to start actively tracing. Depending upon the configuration of the trace session, the trace activation may be propagated to other NEs.

## Signaling Activation

With a signaling based activation, the trace session is indicated to the NE across a signaling interface via a trace invocation message. This message can either be piggybacked with an existing bearer setup message (in order to trace all control messages) or by sending a separate trace invocation message (if the user is already active).

## Start Trigger

A trace recording session starts upon reception of one of the configured start triggers. Once the start trigger is received, the NE generates a Trace Recording Session Reference (unique to the NE) and begins to collect and forward trace information on the session to the TCE.

List of trigger events are listed in 3GPP standard 3GPP TS 32.422 V8.6.0 (2009-09).

## Deactivation

Deactivation of a Trace Session is similar whether it was management or signaling activated. In either case, a deactivation request is received by the NE that contains a valid trace reference results in the de-allocation of the trace session state block and a flushing of any pending trace data. In addition, if this is the last trace session to a particular TCE, the (S)FTP connection to the TCE is released after the last trace file is successfully transferred to the TCE.

## Stop Trigger

A trace recording session ends upon the reception of one of the configured stop triggers. Once the stop trigger is received, the NE will terminate the active recording session and attempt to send any pending trace data to the TCE. The list of triggering events can be found in 3GPP standard 3GPP TS 32.422 V8.6.0 (2009-09).

## Data Collection and Reporting

Subscriber session trace functionality supports data collection and reporting system to provide historical usage and event analysis.

All data collected by the NE is formatted into standard XML file format and forwarded to the TCE via (S)FTP. The specific format of the data is defined in 3GPP standard 3GPP TS 32.423 V8.2.0 (2009-09)

## Trace Depth

The Trace Depth defines what data is to be traced. There are six depths defined: Maximum, Minimum, and Medium all having with and without vendor extension flavors. The maximum level of detail results in the entire control message getting traced and forwarded to the TCE. The medium and minimum define varying subsets of the control messages (specific decoded IEs) to be traced and forwarded. The contents and definition of the medium and minimum trace can be found in 3GPP standard 3GPP TS 32.423 V8.2.0 (2009-09).



---

**Important** Only Maximum Trace Depth is supported.

---

## Trace Scope

The Trace Scope defines what NEs and what interfaces have the tracing capabilities enabled on them. This is actually a specific list of NE types and interfaces provided in the trace session configuration by the operator (either directly via a management interface or indirectly via a signaling interface).

## Network Element Details

Trace functionality for each of the specific network elements supported by this functionality are described in this section.

This section includes the trace monitoring points applicable to them as well as the interfaces over which they can send and/or receive trace configuration.

## MME

The MME supports tracing of the following interfaces with the following trace capabilities:

Interface Name	Remote Device	Trace Signaling (De)Activation RX	Trace Signaling (De)Activation TX
S1a	eNodeB	N	Y
S3	SGSN	Y	Y
S6a	HSS	Y	N
S10	MME	Y	Y
S11	S-GW	N	Y
S13	EIR	N	N

## S-GW

The S-GW supports tracing of the following interfaces with the following trace capabilities:

Interface Name	Remote Device	Trace Signaling (De)Activation RX	Trace Signaling (De)Activation TX
S1-U	eNodeB	Y	N
S4	SGSN	N	N
S5	P-GW (Intra-PLMN)	Y	N
S8	P-GW (Inter-PLMN)	N	N
S11	MME	Y	N
S12	RNC	Y	N
Gxc	Policy Server	Y	N

## P-GW

The P-GW supports tracing of the following interfaces with the following trace capabilities:

Interface Name	Remote Device	Trace Signaling (De)Activation RX	Trace Signaling (De)Activation TX
S2abc	Various NEs	N	N
S5	S-GW (Intra-PLMN)	Y	N
S6b	AAA Server/Proxy	Y	N
S8	S-GW (Inter-PLMN)	N	N
Gx	Policy Server	Y	N
SGi	IMS	Y	N

## Session Trace Configuration

This section provides a high-level series of steps and the associated configuration examples for configuring the system to enable the Subscriber Session Trace collection and monitoring function on network elements in LTE/EPC networks.



**Important** This section provides the minimum instruction set to enable the Subscriber Session Trace functionality to collect session traces on network elements on EPC networks. Commands that configure additional function for this feature are provided in the *Command Line Interface Reference*.

These instructions assume that you have already configured the system level configuration as described in the *System Administration Guide* and specific product Administration Guide.

To configure the system to support subscriber session trace collection and trace file transport on a system:

- 
- Step 1** Enable the subscriber session trace functionality with NE interface and TCE address at the Exec Mode level on an EPC network element by applying the example configurations presented in the *Enabling Subscriber Session Trace on EPC Network Element* section.
  - Step 2** Configure the network and trace file transportation parameters by applying the example configurations presented in the *Trace File Collection Configuration* section.
  - Step 3** Save your configuration to flash memory, an external memory device, and/or a network location using the Exec mode command save configuration. For additional information on how to verify and save configuration files, refer to the *System Administration Guide* and the *Command Line Interface Reference*.
  - Step 4** Verify the configuration of Subscriber Session Trace related parameters by applying the commands provided in the *Verifying Your Configuration* section of this chapter.
-

## Enabling Subscriber Session Trace on EPC Network Element

This section provides the configuration example to enable the subscriber session trace on a system. Enter a command similar to the following in the Exec mode:

```
session trace subscriber network-element mme template-name template_name {
  imei imei_id | imsi imsi_id } trace-ref trace_ref_id collection-entity ip_address
```

Notes:

- *template\_name* specifies the name of the session trace template. This template must be configured by using the **template-session-trace** command in the Global Configuration mode.
- **imsi** *imsi\_id* specifies the International Mobile Subscriber Identification Number for the subscriber.
- **imei** *imei\_id* specifies the International Mobile Equipment Identification Number for the subscriber.
- **trace-ref** *trace\_ref\_id* is the configured Trace Id to be used for the present trace collection instance. It is composed of MCC (3 digit)+MNC (3 digit)+Trace Id (3 byte octet string).
- **collection-entity** *ip\_address* specifies the IP address of the Trace Collection Entity (TCE) to which the trace file generated will be sent. The IP address must be in IPv4 format.

## Configuring a Session Trace Template for the MME

Operators have the option of creating a template for a management trace in configuration mode for the MME. Session traces executed in the Exec mode will use this template. Once created, the template can be associated with different subscribers to trace the interfaces configured in the template.




---

**Important** To activate subscriber session traces for specific IMSI/IMEI, the operator must use the Exec mode **session trace subscriber** command specifying a pre-configured template and the IMSI/IMEI, trace reference and TCE address.

---

To configure a template-session-trace, use the following configuration:

```
configure
  template-session-trace network-element mme template-name template_name
    interface { all | s10 | s11 | s13 s1mme | s3 | s6a
      target-ne { all | enb | pgw | sgwall | sgw } [ target-interface [
all | s1mme | uu | x2 ] ] } } end
  end
```

Notes:

- Available **interface** options for MME include:
  - **all**: Sets the trace to be performed on all interfaces from the MME.
  - **s10**: Sets the trace to be performed on the S10 interface between the MME and another MME.
  - **s11**: Sets the trace to be performed on the S11 interface between the MME and the S-GW.
  - **s13**: Sets the trace to be performed on the S13 interface between the MME and the EIR.
  - **s1mme**: Sets the trace to be performed on the S1-MME interface between the MME and the eNodeB.
  - **s3**: Sets the trace to be performed on the S3 interface between the MME and an SGSN.
  - **s6a**: Sets the trace to be performed on the S6a interface between the MME and the HSS.

- **target-ne** initiates tracing towards peer network elements and available options include:
  - **all**: Initiates the trace towards all NEs.
  - **enb**: Initiates the trace towards the eNodeBs.
  - **pgw**: Initiates the trace towards the P-GWs.
  - **sgw**: Initiates the trace towards the S-GWs.
- Available **target-interface** specifies the interface for the selected Network Element for tracing and options for **enb** are as follows:
  - **all**: Identify all interfaces between the MME and eNodeB.
  - **s1mme**: Specifies that the interface where the trace will be performed is the S1-MME interface between the MME and the eNodeB.
  - **uu**: Specifies that the interface where the trace will be performed is the UU interface between the MME and the eNodeB.
  - **x2**: Specifies that the interface where the trace will be performed is the X2 interface between the MME and the eNodeB.
- Available **target-interface** options for **pgw** are as follows:
  - **all**
  - **gx**: Specifies that the interface where the trace will be performed is the Gx interface between the P-GW and the PCRF.
  - **s2a**: Specifies that the interface where the trace will be performed is the S2a interface between the PGW and the HSGW.
  - **s2b**: Specifies that the interface where the trace will be performed is the S2b interface between the PGW and an ePDG.
  - **s2c**: Specifies that the interface where the trace will be performed is the S2c interface between the PGW and a trusted, non-3GPP access device.
  - **s5**: Specifies that the interface where the trace will be performed is the S5 interface between the P-GW and the S-GW.
  - **s6b**: Specifies that the interface where the trace will be performed is the S6b interface between the PGW and the 3GPP AAA server.
  - **s8**: Specifies that the interface where the trace will be performed is the S8b interface between the PGW and the S-GW.
  - **sgi**: Specifies that the interface where the trace will be performed is the SGi interface between the PGW and the PDN.
- Available **target-interface** options for **sgw** are as follows:
  - **all**
  - **gxc**: Specifies that the interface where the trace will be performed is the Gx interface between the PGW and the PCRF.
  - **s11**: Specifies that the interface where the trace will be performed is the S11 interface between the MME and the S-GW.
  - **s4**: Specifies that the interface where the trace will be performed is the S4 interface between the S-GW and the SGSN.
  - **s5**: Specifies that the interface where the trace will be performed is the S5 interface between the P-GW and the S-GW.
  - **s8**: Specifies that the interface where the trace will be performed is the S8b interface between the PGW and the S-GW.

## Trace File Collection Configuration

This section provides the configuration example to configure the trace file collection parameters and protocols to be used to store trace files on TCE through FTP/S-FTP:

```
configure
  session trace subscriber network-element { all | ggsn | mme | pgw | sgw
  } [ collection-timer dur ] [ tce-mode { none | push transport { ftp |
sftp } path string username name { encrypted password enc_pw } | password
password } } ]
end
```

Notes:

- *string* is the location/path on the trace collection entity (TCE) where trace files will be stored on TCE. For more information, refer to the session trace command in the *Command Line Interface Reference*.

## Verifying Your Configuration

This section explains how to display and review the configurations after saving them in a .cfg file as described in the *System Administration Guide* and also to retrieve errors and warnings within an active configuration for a service.




---

**Important** All commands listed here are under Exec mode. Not all commands are available on all platforms.

---

These instructions are used to verify the Subscriber Session Trace configuration.

---

**Step 1** Verify that your subscriber session support is configured properly by entering the following command in Exec Mode:

```
show session trace statistics
```

The output of this command displays the statistics of the session trace instance.

```
Num current trace sessions: 5
Total trace sessions activated: 15
Total Number of trace session activation failures: 2
Total Number of trace recording sessions triggered: 15
Total Number of messages traced: 123
Number of current TCE connections: 2
Total number of TCE connections: 3
Total number of files uploaded to all TCEs: 34
```

**Step 2** View the session trace references active for various network elements in an EPC network by entering the following command in Exec Mode:

```
show session trace trace-summary
```

The output of this command displays the summary of trace references for all network elements:

```
MME
  Trace Reference: 310012012345
  Trace Reference: 310012012346
SGW
  Trace Reference: 310012012345
  Trace Reference: 310012012346
```



PGW

Trace Reference: 310012012347

---

# Monitoring and Troubleshooting the Session Trace

The following section describes commands available to monitor Session Trace functionality on the MME.

## Session Trace Show Command(s) and/or Outputs

### show session trace statistics

On running the above mentioned show command, statistics similar to the following are displayed:

- Number of current trace sessions
- Number of total trace sessions
- Total sessions activated
- Number of activation failures
- Number of sessions triggered
- Total messages traced
- Number of current TCE connections
- Total number of TCE connections
- Total number of files uploaded to all TCEs

### show session trace subscriber network-element trace-ref

This command shows detailed information about a specific trace, based on the trace-ref value of the session and network element type. It includes activation time, IMSI, start time, number of trace messages, and total number of files created. It also lists the interfaces that this session trace is configured to track.

The following command displays the summary of a Session Trace for a particular Reference Id

```
show session trace subscriber network-element mme trace-ref  
310012012345
```

```
Trace Reference: 310012012345  
Activation time: Fri Jul 10 16:19:10 2009  
IMSI: 0000012345  
Actively Tracing: yes  
Trace Recording Session Reference: 1  
Recording start time: Fri Jul 10 16:19:10 2009  
Total number of trace recording sessions triggered: 1  
Total number of messages traced: 32  
Total number of files created: 5  
Traced Interfaces:  
S1mme  
S6a  
S11  
Trace Triggers:  
service-request  
initial-attach  
ue-disconnect  
bearer-activation
```

```
handover
Target Network Elements:
  SGW
Target Interfaces
  S8b
  S11
```

## show session trace tce-summary

This command provides the IP address and index information for all configured TCEs. The following fields are displayed on executing the above command:

```
TCE IP Address:
  Index 1
TCE IP Address:
  Index 5
```

## show session trace tce-address

This command provides detailed information about a specific TCE, including IP address, start time, and total number of files uploaded.

The following example displays the summary of a Session Trace for a particular Reference Id

```
show session trace tce-address 10.172.1.5 tce-index 5
```

```
TCE IP Address:    10.172.1.5
Start time:       Fri Jul 10 16:19:10 2009
Total number of files uploaded: 12
```



# CHAPTER 91

## SGs SCTP Association Counters

This chapter describes the following topics:

- [Feature Summary and Revision History, on page 833](#)
- [Feature Description, on page 834](#)
- [Monitoring and Troubleshooting, on page 834](#)

### Feature Summary and Revision History

#### Summary Data

Applicable Product(s) or Functional Area	MME
Applicable Platform(s)	<ul style="list-style-type: none"><li>• ASR 5500</li><li>• VPC-DI</li><li>• VPC-SI</li></ul>
Default Setting	Enabled - Always On
Related Changes in This Release	Not Applicable
Related Documentation	<ul style="list-style-type: none"><li>• <i>MME Administration Guide</i></li><li>• <i>Statistics and Counters Reference</i></li></ul>

#### Revision History

Revision Details	Release
SGs SCTP Association Counters was first introduced in release 21.11. With this release, this feature is also applicable to release 21.5.16.	21.5.16
First introduced.	21.11

## Feature Description

MME supports display of SCTP associated counters for SGS service. New command `show sgs-service sctp-association { all | peerid }` is introduced to display SCTP associated counters for SGS Service.

## Monitoring and Troubleshooting

This section provides information regarding show commands available to monitor and troubleshoot the SGs SCTP Association Counters feature.

## Show Commands and Outputs

### **show sgs-service sctp-association { all | peerid }**

The output of this command includes the following fields:

- Flow control flag
- Peer INIT tag
- Local INIT tag
- Next TSN
- Lowest cumulative TSN acknowledged
- Cumulative peer TSN
- Last peer TSN sent in the SACK
- Local RWND
- Peer RWND (advertised) in the SACK
- Peer RWND(estimated)
- Retransmissions
- ZWnd probing flag
- Last TSN received during ZWnd Probing
- Bytes outstanding
- Congestion queue length
- Ordered TSN waiting QLen
- Unordered TSN waiting QLen
- GAP ACKs sent
- GAP ACKs received

No.	Source Address	Destination Address	Path Status
-----	----------------	---------------------	-------------

- Path No.
- Current CWND
- SStresh
- Partial bytes acked
- Bytes outstanding
- Current RTO (in ms)

**Important**

`sctp all` displays cumulative statistics for the peer VLRs where as `sctp peerid` displays statistics for a particular Peer ID.





## CHAPTER 92

# S-GW Address Based Combined SPGW Selection

- [Feature Summary and Revision History, on page 837](#)
- [Feature Description, on page 838](#)
- [Configuring S-GW Address Based Combined SPGW Selection, on page 838](#)
- [Monitoring and Troubleshooting, on page 838](#)

## Feature Summary and Revision History

### Summary Data

Applicable Product(s) or Functional Area	MME
Applicable Platform(s)	<ul style="list-style-type: none"><li>• ASR 5500</li><li>• VPC-DI</li><li>• VPC-SI</li></ul>
Default Setting	Disabled - Configuration required
Related Changes in This Release	Not Applicable
Related Documentation	<ul style="list-style-type: none"><li>• <i>Command Line Interface Reference</i></li><li>• <i>MME Administration Guide</i></li></ul>

### Revision History

Revision Details	Release
First introduced.	21.15

## Feature Description

The MME allows to configure the Gateway selection priority when priority is configured as S-GW. MME selects S-GW first, and P-GW will be selected based on the co-location string from the selected S-GW. For the additional PDN, P-GW is selected based on the colocation string from the selected S-GW. When this feature is not configured, by default P-GW is selected first.



---

**Important** This behavior is applicable only to the initial attach and PDN connectivity.

---

## Configuring S-GW Address Based Combined SPGW Selection

### Select S-GW as Priority

Use the following configuration to select S-GW priority.

```
configure
  apn-profile apn_profile_name
    [ remove ] gateway-selection priority sgw
  end
```

#### NOTES:

- **priority sgw**: Configures S-GW to be selected first.
- **remove**: Removes the configured priority S-GW.

## Monitoring and Troubleshooting

This section provides information regarding show commands available to monitor and troubleshoot the S-GW Address Based Combined SPGW Selection feature.

### Show Commands and Outputs

#### **show apn-profile full all**

The output of this command includes "Gateway Selection Priority" to indicate gateway selection priority is configured or not.





## CHAPTER 93

# S-GW Blacklisting on the MME

This chapter describes how MME blacklists unaccessible and unresponsive S-GWs in the following sections:

- [Feature Description, on page 839](#)
- [How It Works, on page 839](#)
- [Configuring SGW Blacklisting on the MME, on page 840](#)
- [Monitoring and Troubleshooting SGW Blacklisting on the MME, on page 841](#)

## Feature Description

The SGW Blacklisting is a proprietary feature of StarOS. In this feature, the MME blacklists un-accessible or un-responsive SGWs for a configured time. The MME does not select these blacklisted SGWs during any procedures that requires SGW selection so that there is minimal latency during the procedures. SGW Blacklisting is supported for both Static and Dynamic IP addresses.

To support SGW blacklisting, a new CLI `sgw-blacklist` is added under the MME Service Configuration mode. When this feature is enabled, SGW blacklisting takes place using the following methods in the MME:

- Node Level Blacklisting
- Session Manager Level Blacklisting

A valid license key is required to enable SGW Blacklisting on the MME. Contact your Cisco Account or Support Representative for information on how to obtain a license.

## How It Works

On identifying an unreachable SGW, the SGW is blacklisted for a configured amount of time. The `show` CLI discussed in the Monitoring and Troubleshooting section displays the expiry timestamp of this SGW, indicating the blacklisting duration. This feature is based on a per `mme-service` configuration, therefore a separate list to store blacklisted SGWs is created for every `mme-service`.

During the ATTACH, TAU and Handover procedures, the MME selects an SGW that is not blacklisted. If all SGWs are blacklisted, then the MME attempts to use one of the blacklisted SGWs instead of directly rejecting the call. If the Create Session Response time expires, the call is rejected.

The blacklisted SGWs are completely removed from the MME based on the following configuration changes/execution:

- If the `sgw-blacklist` configuration is removed – SGW blacklisting feature is disabled.
- If the `sgw-blacklist` configuration is reconfigured, that is, if the `timeout` or the `msg-timeouts-per-min` values are changed.
- If `mme-service` is stopped; a critical parameter is removed from its configuration.
- If the `clear CLI` is executed, refer to Monitoring and Troubleshooting section.




---

**Note** The MME does not remove the blacklisted SGWs based on any SGW initiated request/response message.

---

The following functionalities are also included for SGW blacklisting:

- Weight based load distribution with the available SGWs when some of the SGWs are blacklisted.
- Session manager recovery is added to recover node-level blacklisted SGWs.

SGW blacklisting takes place using the following methods in the MME:

#### Node Level Blacklisting

When no echo response is received from the SGW, a node-level path failure indication is sent to all SESSMGRs.

Based on the node-level path failure indication, the MME blacklists the SGW for the configured time and stores it as a node-level blacklisted type.

#### Session Manager Level Blacklisting

Along with node-level blacklisting, MME supports blacklisting of SGW based on Create Session Response timeout per SESSMGR instance. The Session Manager Level blacklisting is local to a specific SESSMGR instance and its particular `mme-service` where the Create Session Response times out.

To avoid broadcasting among SESSMGRs, session manager level blacklisting is not shared among SESSMGRs.

Along with “`sgw-blacklist timeout`” configuration, “`msg-timeouts-per-min`” configuration is configured, which is only required for `sgmr-level` blacklisting. Instead of blacklisting an SGW in the first Create Session Response timeout, the MME blacklists an SGW if the number of Create Session Response timeouts within a minute reaches the configured `msg-timeouts-per-minute` value. For more information, refer to Configuring SGW Blacklisting on the MME section.

## Configuring SGW Blacklisting on the MME

The following CLI configures SGW blacklist timeout value, and the number of Create Session Response timeouts per minute to blacklist an SGW locally in a SESSMGR instance.

The configuration is provided under the MME Service Configuration mode.

```

config
  context context_name
    mme-service service_name
      [ no ] sgw-blacklist timeout timer_value msg-timeouts-per-min
        number_of_timeouts
    end

```

- **no** disables the SGW Blacklisting configuration.
- **sgw-blacklist** specifies the configurable parameters required for SGW blacklisting.
- **timeout** specifies the period of time the blacklisted SGW cannot be used for call procedures. The timeout value is an integer ranging from 5 to 86400 seconds.
- **msg-timeouts-per-min** configures the number of message timeouts to wait, before blacklisting a SGW locally in a session manager instance. Only Create Session Response timeout is considered. The number of message is an integer ranging from 1 to 5000.
- By default, this configuration is not enabled.

### Verifying SGW Blacklisting on the MME

The below given command displays the following new fields that are added to support the SGW Blacklisting feature:

**show mme-service sgw-blacklist [ mme-service-name *name* ] [ smgr-instance *number* ]**

```
MME service name: mmesvc
Node-level: 0      Instance-level: 1
SGW IP          : 192.168.20.2
Blacklist type   : Sessmgr-level
Expiry timestamp : Monday June 13 02:27:57 EDT 2016
Blacklist time left : 777 seconds
```

#### Notes:

- **sgw-blacklist** displays information on blacklisted SGWs.
- **mme-service-name** displays node level blacklisted SGWs for a specified mme-service
- **smgr-instance** displays node-level and session manager level blacklisted SGWs for a specific SESSMGR instance.
- Blacklist Type can either be Node level or Sessmgr-level.
- If smgr-instance option is selected, both Node-level and Sessmgr-level blacklisted SGWs are displayed, otherwise only Node-Level blacklisted SGWs are displayed.

# Monitoring and Troubleshooting SGW Blacklisting on the MME

## SGW Blacklisting Show Command(s) and /or Outputs

This section provides information regarding show commands and their outputs for the SGW blacklisting feature.

**show mme-service name *name***

Executing the above command displays the following fields for this feature:

- SGW Blacklist Parameters

- Timeout
  - msg-timeouts-per-min

**show mme-service statistics emm-only**

Executing the above command displays the following fields for this feature:

```
SGW Selection:  
Blacklisted SGW chosen: 0
```

**Notes:**

- The SGW Selection specifies the number of times a blacklisted SGW is selected when all SGWs are blacklisted.

**clear mme-service sgw-blacklist [ mme-service-name *name* ] [ sgw-ip ]**

Executing the above command clears the selected SGW or all blacklisted SGWs from the system.

**Notes:**

- sgw-blacklist clears the blacklisted SGWs.
- mme-service-name clears the blacklisted SGWs that belong to a particular mme-service.
- sgw-ip clears the specified blacklisted SGW based on the IP address.

A trace level event ID: 147153 has been added for this feature to log when any SGW address is blacklisted.



# CHAPTER 94

## S-GW Restoration

This chapter describes restoration of PDN connections after an SGW failure on the MME, in the following sections:

- [Feature Summary and Revision History, on page 843](#)
- [Feature Description, on page 844](#)
- [How It Works, on page 844](#)
- [Configuring S-GW Restoration, on page 845](#)
- [Monitoring and Troubleshooting, on page 848](#)

## Feature Summary and Revision History

### Summary Data

Applicable Product(s) or Functional Area	MME
Applicable Platform(s)	ASR 5500
Feature Default	Disabled - Configuration Required
Related Changes in This Release	Not Applicable
Related Documentation	<ul style="list-style-type: none"><li>• <i>Command Line Interface Reference</i></li><li>• <i>MME Administration Guide</i></li><li>• <i>Statistics and Counters Reference</i></li></ul>

### Revision History

Revision Details	Release
First introduced.	21.3

## Feature Description

The S-GW Restoration provides continuous delivery (resume delivery) of downlink data towards the UE with minimum service interruption, and minimal signaling in the network.

Path failure, as a result of S-GW restart or S-GW availability/reachability on the S11 interface, is supported for S-GW Restoration.

The following functionalities are supported in this feature:

- Prioritizing PDN Restorations
- Pacing PDN Restorations
- Restoration of PDN connections after S-GW Failure

## How It Works

When a S-GW fails, all its Bearer contexts affected by the failure become invalid and may be deleted.

Previously, when MME detects a peer S-GW restart, it deletes all PDN connection table data or MME bearer contexts associated with that peer S-GW node. Also, MME clears any S-GW resource associations with these PDN connections.

Now, if the S-GW Restoration feature is configured at the MME, the PDN connection table data is not deleted, instead the MME restores the PDN connections with an alternative S-GW peer (in case of S-GW failure) or with the same S-GW (in case of S-GW restart) within a configured time. MME starts the “T-Release-PDN” timer during S-GW restart. On expiry of the “T-Release-Timer”, the MME detaches the remaining PDN connections of the affected S-GW.



---

**Note** The MME will have the identity of an S-GW currently in use for a PDN connection, available in the MME’s PDN connection table as part of the existing EPC procedures as well as other peer state data.

---

The S-GW Restoration feature is optional on the MME. This feature can be enabled or disabled at an MME Service level or through the APN Profile configuration. If configured through the APN profile, the configuration values takes precedence over the values configured at an MME Service level (if configured), and are applied for restoration of PDN connections for the given APN.

PDN Restorations are performed in a paced manner. The pacing rate can be configured using the network-overload-protection mme-tx-msg-rate command, under Global Configuration Commands mode. If the pacing rate is not configured, the internal default pacing rate of 100 restorations per session manager, per second is applied.

MME restores sessions per PDN connection basis. Sometimes, it is possible for a UE to have some PDN connections restored and some still detached, based on their configuration.

## S-GW Restoration Procedure

Once the S-GW Restoration has begun for a UE, the following restoration procedures are applied:

- If UE has an emergency PDN:
  - The UE is brought to IDLE state.
  - The UE is restored through S-GW relocation. The target S-GW might be the same as the source S-GW during S-GW restart.
- If UE has an IMS PDN:
  - The UE is brought to IDLE state.
  - The UE is restored through S-GW relocation. The target S-GW might be the same as the source S-GW during S-GW restart.
- If UE has a connected PDN:
  - Handover requests that arrive for a connected PDN are rejected.
  - Connected PDN is moved to IDLE state.
  - The UE is restored through S-GW relocation. The target S-GW might be the same as the source S-GW during S-GW restart.
- If UE is in IDLE state, it is restored through S-GW relocation. The target S-GW might be the same as the source S-GW during S-GW restart.

## Impact of Session Recovery on S-GW Restoration

- If S-GW restoration is enabled, and if path failed sessions are in NLP queue and if the sessmgr restarts, then all path failed sessions are en-queued in NLP queue after recovery. S-GW Restoration is initiated for recovered sessions.
- If S-GW restoration is in process for a UE (waiting for CS Response/DNS Response), and if sessmgr restarts, then on completion of sessmgr recovery such an UE is en-queued again in the NLP queue and S-GW restoration will be restarted for such UE's.

## Standards Compliance

The S-GW Restoration feature complies with the following standard(s):

- 3GPP TS 23.007 Restoration Procedures v13.3.0

## Configuring S-GW Restoration

This section describes the S-GW Restoration configuration at an MME Service level configuration and at an APN Profile level configuration. If configured through the APN profile, the configuration values takes precedence over the values configured at an MME Service level (if configured), and are applied for restoration of PDN connections for the given APN.

The T-Release-PDN timer is configured as part of the S-GW Restoration procedure. The MME restores as many PDN connections as it can through an alternative S-GW (in case of S-GW failure) or with the same S-GW (in case of S-GW Restart), within the configured T-Release-PDN time. On expiry of the timer, MME detaches the remaining PDN connections of the affected S-GW.

PDN Restorations are performed in a paced manner. The pacing rate can be configured using the **network-overload-protection mme-tx-msg-rate** command, under *Global Configuration Commands* mode. If the pacing rate is not configured, the internal default pacing rate of 100 restorations per session manager, per second is applied.

MME restores sessions per PDN connection basis. Sometimes, it is possible for a UE to have some PDN connections restored and some still detached, based on their configuration.

## S-GW Restoration at an MME Service Level

This section describes the S-GW Restoration configuration at an MME Service level.

The following CLI configuration enables the S-GW Restoration feature:

```
configure
  context context_name
    mme-service service_name
      sgw-restoration session hold-timeout TReleasePDN_Timer
      no sgw-restoration
    end
```

## Verifying the Configuration

The S-GW Restoration configuration can be verified using the following show commands:

### show configuration

On executing the above command the following output is displayed for this feature:

```
mme-service mmesvc
  sl-mme sctp port 25
  mme-id group-id 32777 mme-code 2
  ...
  ...
  ...
  sgw-restoration session-hold-timeout 10
```

### show mme-service name mmesvc

On executing the above command the following output is displayed for this feature:

```
Service name           : mmesvc
Context                : MME
Status                 : STARTED
...
...
...
SGW Restoration       : Enabled
Session Hold (T-PDN Release) time : 10
```

Notes:

- The **no** keyword disables the S-GW Restoration feature.



- The **sgw-restoration** keyword enables S-GW restoration on the MME.
- The **session** keyword specifies the session to be restored.
- The **hold-timeout** keyword specifies the maximum time available to restore the sessions at S-GW, that is, the number of PDN connections to be restored through the S-GW.
- The *TReleasePDN\_timer* specifies the time for S-GW Restoration. The timer value ranges from 1 to 3600. The value is an integer measured in seconds.

## S-GW Restoration at an APN Profile Level

This section describes the S-GW Restoration configuration at an MME Service level.

The following CLI configuration enables the S-GW Restoration feature:

```
configure
apn-profile profile_name
  sgw-restoration session hold-timeout TReleasePDN_timer
  [ no | remove ] sgw-restoration
end
```




---

**Note** Note: If S-GW Restoration is enabled at an MME Service level and at an APN Profile level, the hold-timeout value of the APN Profile configuration will take precedence over that of the MME Service level.

---

## Verifying the Configuration

The S-GW Restoration configuration at an APN Profile level can be verified using the following show commands:

### show apn-profile full name apn1

On executing the above command the following output is displayed for this feature:

```
APN Profile Name           : apn1
Resolution Priority        : dns-fallback
...
...
...
SGW Restoration           : Enabled
Session Hold (T-PDN Release) time : 10
```

Notes:

- The **remove** keyword removes the S-GW Restoration configuration from the APN Profile Configuration. In this case, the hold-timeout value configured at the MME Service level is used for restoration.
- The **no** keyword disables the S-GW Restoration feature at the APN-Profile configuration level.
- The **sgw-restoration** keyword enables S-GW restoration on the MME.
- The **session** keyword specifies the session to be restored.
- The **hold-timeout** keyword specifies the maximum time available to restore the sessions at S-GW, that is, the number of PDN connections to be restored through the S-GW.

- The *TReleasePDN\_timer* specifies the time for S-GW Restoration. The timer value ranges from 1 to 3600. The value is an integer measured in seconds.

## Monitoring and Troubleshooting

This section describes how to monitor and troubleshoot the S-GW Restoration feature

### S-GW Restoration Show Command(s) and /or Outputs

This section provides information on show commands and their corresponding outputs for the S-GW Restoration feature.

#### **show mme-service name *service\_name***

Executing the above command, displays the following field(s) for this feature:

- SGW Restoration

#### **show apn-profile full name *profile\_name***

Executing the above command, displays the following fields for this feature:

- SGW Restoration
- Session Hold (T-PDN Release) time

#### **show mme-service statistics**

Executing the above command, displays the following fields for this feature:

- SGW Restoration
  - Attempted
  - Down
  - Restart
- UE PDN Restored
  - Emergency
  - IMS
  - Normal
- UE PDN Failed
  - Emergency
  - IMS
  - Normal

**show mme-service statistics verbose**

Executing the above command, displays the following fields for this feature:

- SGW Restoration Failure
  - Invalid UE SGW context
  - No EPS Bearer Active
  - SGW Selection Failure
  - SGW Reloc Proc Failed
  - Create Session Failure
  - Abort

## Bulk Statistics

The following bulk statistics are added in the MME schema for the S-GW Restoration feature:

Variables	Description
sgw-restoration-attempted	Proprietary counter provides the total number of attempted SGW Restorations at MME. Increments when SGW restoration is attempted at MME due to s11 path failure.
sgw-restoration-peer-restart	Proprietary counter provides the total number of attempted SGW Restoration at MME due to Peer SGW restart. Increments when SGW restoration is attempted at MME due to s11 path failure and because of peer SGW restart.
sgw-restoration-peer-down	Proprietary counter provides the total number of attempted SGW Restoration at MME due to Peer SGW going down. Increments when SGW restoration is attempted at MME due to s11 path failure because peer SGW has gone down
sgw-restoration-pdn-restored	Proprietary counter provides the total number of successful PDNs restored during SGW restoration. Increments when SGW restoration is successfully attempted for PDNs at MME
sgw-restoration-emergency-pdn-restored	Proprietary counter provides the total number of successful emergency PDNs restored during SGW restoration. Increments when SGW restoration is successfully attempted for emergency PDNs at MME
sgw-restoration-ims-pdn-restored	Proprietary counter provides the total number of successful IMS PDNs restored during SGW restoration. Increments when SGW restoration is successfully attempted for IMS PDNs at MME
sgw-restoration-normal-pdn-restored	Proprietary counter provides the total number of successful normal PDNs restored during SGW restoration. Increments when SGW restoration is successfully attempted for Normal PDNs at MME

Variables	Description
sgw-restoration-pdn-failed	Proprietary counter provides the total number of PDNs failed to be restored during SGW restoration. Increments when SGW restoration has failed for PDNs at MME
sgw-restoration-emergency-pdn-failed	Proprietary counter provides the total number of emergency PDNS failed to be restore during SGW restoration. Increments when SGW restoration has failed for Emergency PDNs at MME
sgw-restoration-ims-pdn-failed	Proprietary counter provides the total number of IMS PDNS failed to be restored during SGW restoration. Increments when SGW restoration has failed for IMS PDNs at MME
sgw-restoration-normal-pdn-failed	Proprietary counter provides the total number of normal PDNs failed to be restored during SGW restoration. Increments when SGW restoration has failed for Normal PDNs at MME
sgw-rest-proc-fail-total	Indicates the total number of SGW restoration procedures failed. Increments when a SGW Restoration procedure fails.
sgw-rest-proc-fail-invalid-ue-sgw-ctxt	The total number of SGW restoration procedures failed due to invalid UE SGW context. Increments when a SGW restoration procedure fails due to an invalid UE SGW context.
sgw-rest-proc-fail-no-eps-bearer-active	The total number of SGW restoration procedures failed due to inactive EPS bearers. Increments when sgw restoration procedure fails on account of inactive EPS bearers.
gw-rest-proc-fail-sgw-selection-failure	The total number of SGW restoration procedures failed due to SGW selection failure. Increments when SGW restoration procedure fails due to SGW selection failure.
sgw-rest-proc-fail-sgw-reloc-proc-failed	The total number of SGW restoration procedures failed due to failure of SGW relocation procedure. Increments when SGW restoration procedure fails due to SGW relocation procedure failure.
sgw-rest-proc-fail-create-sess-failure	The total number of SGW restoration procedures failed due to create session failure. Increments when SGW restoration procedure fails due to create session failure.
sgw-rest-proc-fail-abort	The total number of SGW restoration procedures aborted due to failure. Increments when SGW restoration procedure is aborted due to failure.



## CHAPTER 95

# SGSN-MME Combo Optimization

This section describes Combo Optimization available for a co-located SGSN-MME node. It also provides detailed information on the following:

- [Feature Description, on page 851](#)
- [How It Works, on page 852](#)
- [Configuring the Combo Optimization, on page 855](#)
- [Monitoring and Troubleshooting Combo Optimization , on page 855](#)

## Feature Description

The SGSN and MME can be enabled simultaneously in the same chassis and, though co-located, they each behave as independent nodes. This Combo Optimization feature enables the co-located SGSN and MME to co-operate with each other in order to achieve lower memory and CPU utilizations and to reduce signaling towards other nodes in the network. When functioning as mutually-aware co-located nodes, the SGSN and the MME can share UE subscription data between them.



### Important

This feature is supported by both the S4-SGSN and the Gn-SGSN. For the feature to apply to a Gn-SGSN, the Gn-SGSN must be configured to connect to an HSS. Combo Optimization for an SGSN-MME node is a licensed Cisco feature. Contact your Cisco account representative for detailed information on specific licensing requirements. For information on installing and verifying licenses, refer to the *Managing License Keys section of the Software Management Operations chapter in the System Administration Guide*.

## Overview

The load on S6d/S6a interfaces towards an HSS is reduced effectively by utilizing the resources in a co-located SGSN-MME node scenario. Requests for subscription data in Update Location Request (ULR) are skipped by setting the 'skip-subscriber-data' bit in the ULR flags this, in turn, reduces the load on the HSS. The Skip Subscriber Data AVP is used and the subscriber data is shared across the SGSN and the MME services.

As per 3GPP TS 29.272, setting the 'skip-subscriber-data' bit in the ULR indicates that the HSS may skip sending subscription data in Update Location Answer (ULA) to reduce signaling. If the subscription data has changed in the HSS after the last successful update of the MME/SGSN, the HSS ignores this bit and sends the updated subscription data. If the HSS skips sending the subscription data, then the GPRS-Subscription-Data-Indicator flag can be ignored.

Ensuring that packets are routed internally reduces network latency for S3/Gn interface messages. This is achieved by configuring the SGTP and EGTP services in the same context for the SGSN and the MME configurations.

For outbound Inter-RAT SRNS Relocations, the MME gives preference to the co-located SGSN, irrespective of the order/priority or preference/weight configured for the SGSN entry in DNS Server. When Inter-RAT handovers take place between the co-located MME and the SGSN, the new call arrives at the same Session Manager that hosted the call in the previous RAT. If the subscription data is available for a given UE at the co-located SGSN, then the MME does not need to request this data from the HSS and provides UE subscription data obtained from the SGSN. This optional function can be turned on or off through the MME Service configuration.

Combo Optimization is available for subscribers with an EPC-enabled UE and an EPC subscription configured at the HSS. During handoff from 4G to 3G or 4G to 2G, the EPC subscription will be copied from the MME. Combo Optimization is also applicable for Non-EPC subscribers if core-network-interface is selected as S4 for the EPS-subscription.

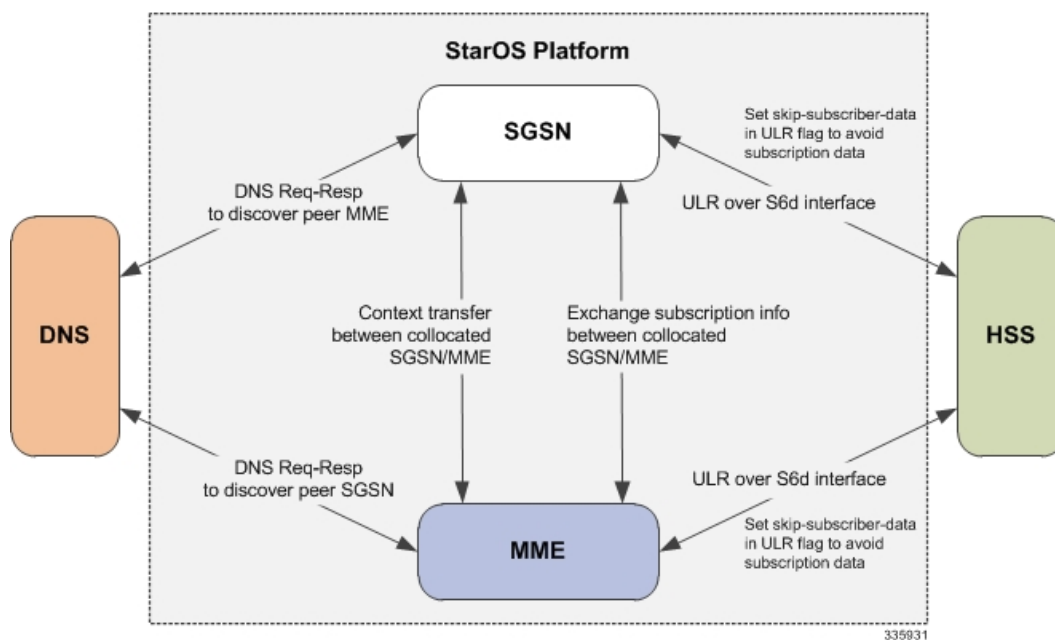
## How It Works

**Subscriber Movement from MME to SGSN:** Subscription information is first fetched by the MME. On subscriber movement to a co-located SGSN, the SGSN sends a ULR with "skip-subscriber-data" flag set and the HSS sends a ULA (with or without subscription data depending on time of MME update).

**Subscriber Movement from SGSN to MME:** Subscription information is first fetched by the SGSN. On subscriber movement to a co-located MME, the MME sends a ULR with "skip-subscriber-data" flag set and the HSS sends a ULA (with or without subscription data depending on time of SGSN update).

## Architecture

Figure 83: SGSN-MME Combo Node



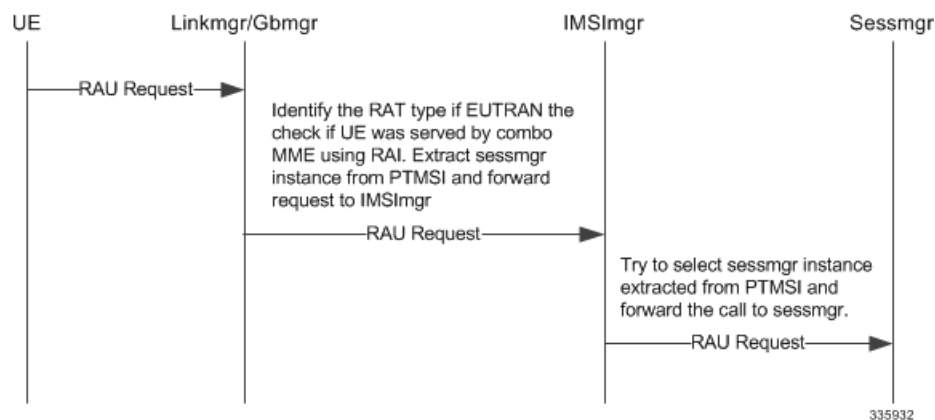
The above diagram displays the interworking of various modules when the Combo Optimization feature is enabled in a co-located SGSN-MME setup.

When the subscriber does RAU from MME to SGSN, or vice versa, a DNS query is initiated to fetch the address of the peer node. Based on the IP address obtained, the peer MME or SGSN is selected. When a DNS response is received with a list of peer SGSN addresses, the MME matches the configured EGTP/SGTP SGSN service address in the system and uses it for the S3/Gn UE Context Transfer procedures. If a DNS response is not received and a locally configured EGTP/SGTP SGSN service is present as a peer-SGSN, the peer-SGSN will be selected. Context transfer and copying of subscription information happens internally between the SGSN and the MME nodes. The SGSN maintains the s6d interface towards the HSS and the MME maintains the S6a interface towards the HSS. All network-initiated messages are sent separately towards the SGSN and the MME nodes respectively.

## Flows

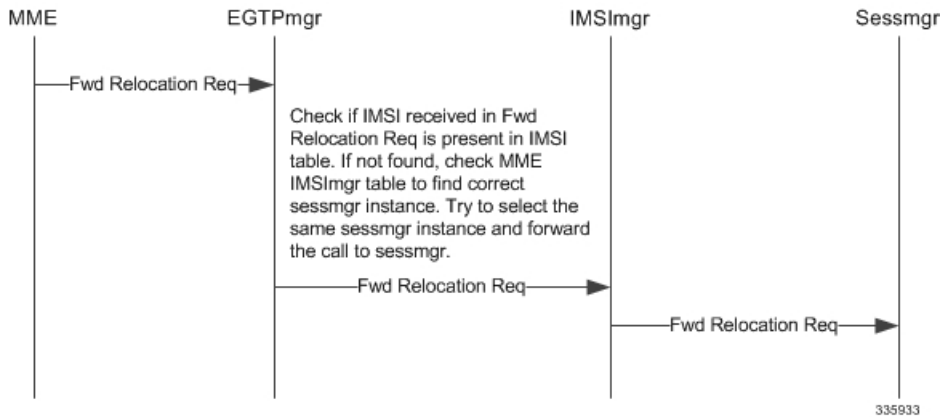
This section includes various diagrams that illustrate the session manager (SessMgr) selection logic during RAU, SRNS, and Attach procedures:

**Figure 84: Selection of SessMgr Instance during RAU from MME to SGSN**



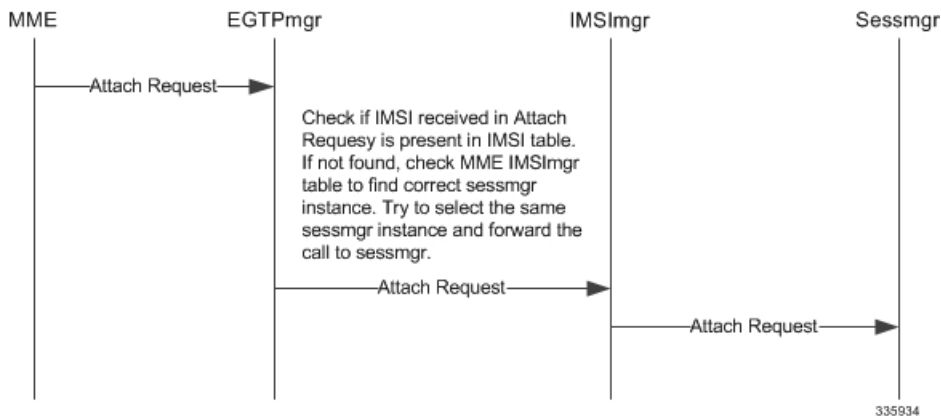
Listed below is the SessMgr instance selection logic during a RAU procedure from the MME to SGSN:

1. A RAU request from UE is forwarded to the LinkMgr or GbMgr.
2. The LinkMgr identifies if the RAU is local and extracts the SessMgr instance from the PTMSI and forwards the request to IMSMgr.
3. The IMSMgr tries to select the SessMgr instance extracted from the PTMSI and forwards the request to the selected SessMgr.

**Figure 85: Selection of SessMgr Instance during SRNS**

Listed below is the SessMgr instance selection logic during an SRNS procedure:

1. During an SRNS procedure, the MME service sends a Forward Relocation Request to the EGTPMgr.
2. The EGTPMgr forwards the request to the IMSMgr.
3. The IMSMgr uses the IMSI received in the request message to identify the SessMgr instance and forwards the request to the appropriate SessMgr instance.

**Figure 86: Selection of SessMgr Instance during Attach**

Listed below is the SessMgr instance selection logic during an Attach procedure:

1. During Attach procedure, the LinkMgr/GbMgr forwards the request to the IMSMgr.
2. The IMSMgr first verifies if the IMSI is present in the SGSN's IMSI table. If it is not present, the MME's IMSI table is verified. Once the entry is found the request is forwarded to the appropriate SessMgr.
3. If the entry is not found in either table, then an alternate SessMgr instance is used to process the call.

## Limitations

Subscription information is shared between MME and SGSN only when both are connected to an HSS. Combo Optimization is not applicable if either the MME or the SGSN is connected to an HLR. Though the subscription information is shared between the SGSN and MME services, a separate HSS service and diameter endpoint will be maintained for both the SGSN and the MME. All network-initiated messages are received separately for both the MME and the SGSN. Subscription data is copied based on time-stamp validation.



A small impact on the performance is observed during Inter-RAT handoffs as subscription data is exchanged between the SGSN and the MME. This impact is a limited increase in the number of instructions per handoff per UE depending on the number of APNs configured for the UE in the HSS.

It is necessary that the HSS honors the request from the MME/SGSN and not send subscription data when 'Skip-Subscriber-Data' flag is set in the ULR. However, there are some known and valid cases where the HSS ignores this flag for example, if the UE's subscription data changed since the last time the UE attached in 4G. (Typically, UE subscription data does not change frequently, therefore, HSS overrides are less frequent.)

## Configuring the Combo Optimization

This section describes how to configure the Combo Optimization for an SGSN-MME combo node.

By default, Combo Optimization is not enabled. This command both enables or disables Combo Optimization on an SGSN-MME combo node.

```
config
    lte-policy
        [ no ] sgsn-mme subscriber-data-optimization
    end
```

Note:

- **no** as a command prefix disables Combo Optimization.

The following CLI (applicable only to the SGSN in the combo node), under the call-control profile configuration mode, controls requests for GPRS subscription information from the HSS:

```
config
    call-control-profile profile_name
        hss message update-location-request gprs-subscription-indicator [
never | non- epc-ue ]
    end
```

## Verifying Combo Optimization Configuration

Execute the following command to verify the configuration of this feature.

### show lte-policy sgsn-mme summary

The following field value indicates if data optimization on the SGSN-MME combo node is "Enabled" or "Disabled":

- subscriber-data-optimization

## Monitoring and Troubleshooting Combo Optimization

This section provides information on the show commands and bulk statistics available to monitor and troubleshoot Combo Optimization for the SGSN-MME combo node, and for each element separately.

## Monitoring Commands for the SGSN-MME Combo Node

This section provides information regarding show commands and/or their outputs in support of the Combo Optimization feature on the SGSN-MME Combo Node:

### show hss-peer-service statistics all

The following new fields are added to the show output to display the subscription data statistics:

- Subscription-Data Stats
- Skip Subscription Data
- Subscription-Data Not Received

The Skip Subscription Data statistic is incremented when the ULR is sent with the skip-subscription-data flag set. The Subscription-Data Not Received statistic is incremented if the HSS does not send the subscription data in the ULA when skip-subscription-data flag is set in ULR. The difference between the Skip Subscription Data and Subscription-Data Not Received gives us the number of times HSS does not honor the skip-subscription-data flag.

## Monitoring Commands for the SGSN

This section provides information regarding show commands and/or their outputs in support of the Combo Optimization feature on the SGSN:

### show demux-mgr statistics imsimgr all sgsn

The following new fields are added in the show output to display the number of RAU, Attach, PTMSI attach and Forward relocation requests arriving from a subscriber attached with co-located MME:

- IMSI attach with context in co-located MME
- P-TMSI attach with mapped P-TMSI of co-located MME
- RAU with mapped P-TMSI of co-located MME
- Fwd reloc request from co-located MME

### show subscribers sgsn-only summary

The following new field is added in the show output to display the number of subscribers currently sharing subscription information with the MME:

- Total HSS subscribers sharing subscription-info

### show subscribers gprs-only summary

The following new field is added in the show output to display the number of subscribers currently sharing subscription information with MME:

- Total HSS subscribers sharing subscription-info

### show subscribers sgsn-only full all

The STN-SR , ICS-indicator , Trace-Data and CSG subscription information is now displayed under the **show subscribers sgsn-only full all** output. These AVPs are currently used by MME only .Values are displayed as received from HSS without any format changes.

- Trace Data
- Trace Reference
- Trace Depth
- Trace NE Type List
- Trace Interface List
- Trace Event List
- OMC Id
- Trace Collection Entity
- STN-SR
- ICS-Indicator
- CSG Subscription
- CSG ID
- Expiration Date

### show subscribers gprs-only full all

The STN-SR, ICS-indicator, Trace-Data and CSG subscription information is now displayed under the **show subscribers gprs-only full all** output. These AVPs are currently used only by the MME. Values are displayed as received from HSS without any format changes.

- Trace Data
- Trace Reference
- Trace Depth
- Trace NE Type List
- Trace Interface List
- Trace Event List
- OMC Id
- Trace Collection Entity
- STN-SR
- ICS-Indicator
- CSG Subscription
- CSG ID
- Expiration Date

### show session subsystem facility aaamgr instance

The following new fields are added in the show output to display the total number of CSG subscription records and Trace data records:

- SGSN: Total Trace data records
- SGSN: Total CSG data records

## Monitoring Commands for the MME

This section provides information regarding show commands and/or their outputs in support of the Combo Optimization feature on the **MME**:

## show mme-service statistics handover

The following new statistics are added to the show output to display the information about Inter-RAT Optimized Handoffs between the co-located SGSN and MME:

- Inter-RAT Optimized Handoffs Between Co-located MME and SGSN
- Outbound MME to SGSN RAU procedure
- Attempted
- Success
- Failures
- Inbound SGSN to MME TAU procedure
- Attempted
- Success
- Failures
- Outbound MME to SGSN Connected Mode Handover
- Attempted
- Success
- Failures
- Inbound SGSN to MME Connected Mode Handover
- Attempted
- Success
- Failures

## Bulk Statistics for Monitoring the MME in an SGSN-MME Combo Node

The following bulk statistics in the MME schema facilitate tracking MME optimization functionality for the SGSN-MME nodes when co-located in the same chassis with the Combo Optimization functionality enabled:

- optimized-out-rau-ho-4gto2g3g-attempted
- optimized-out-rau-ho-4gto2g3g-success
- optimized-out-rau-ho-4gto2g3g-failures
- optimized-in-tau-ho-2g3gto4g-attempted
- optimized-in-tau-ho-2g3gto4g-success
- optimized-in-tau-ho-2g3gto4g-failures
- optimized-out-s1-ho-4gto2g3g-attempted
- optimized-out-s1-ho-4gto2g3g-success
- optimized-out-s1-ho-4gto2g3g-failures
- optimized-in-s1-ho-2g3gto4g-attempted
- optimized-in-s1-ho-2g3gto4g-success
- optimized-in-s1-ho-2g3gto4g-failures



# CHAPTER 96

## Short Message Service

- [Feature Summary and Revision History, on page 859](#)
- [Feature Description, on page 860](#)
- [How It Works, on page 860](#)
- [Configuring SMS Support, on page 869](#)
- [Monitoring and Troubleshooting, on page 875](#)

### Feature Summary and Revision History

#### Summary Data

Applicable Product(s) or Functional Area	MME
Applicable Platform(s)	<ul style="list-style-type: none"> <li>• ASR 5500</li> <li>• UGP</li> <li>• VPC-DI</li> <li>• VPC-SI</li> </ul>
Feature Default	Disabled - Configuration Required
Related Changes in This Release	Not Applicable
Related Documentation	<ul style="list-style-type: none"> <li>• <i>Command Line Interface Reference</i></li> <li>• <i>MME Administration Guide</i></li> <li>• <i>Statistics and Counters Reference</i></li> </ul>

#### Revision History

Revision Details	Release
The supports for SMS over SGd interface for EPS only Attach feature is introduced.	21.20.19

Revision Details	Release
"New sub traffic type SMS added under traffic PS to configure Heuristic paging" was introduced in release 21.11. With this release, this feature is also applicable to release 21.8.9.	21.8.9
New sub traffic type SMS added under traffic PS to configure Heuristic paging.	21.11
First introduced.	21.8

## Feature Description

The Short Message Service (SMS) is a means of sending messages of limited size to and from GSM/UMTS/EPS devices. SMS is a Store and Forward service, where messages are first sent to an entity called the Short Message Service Center (SMSC) and then forwarded to the recipient instead of transmitting directly to the destination.

If the recipient is not connected, the message is saved in the SMSC and when the receiver becomes available, the network will contact the SMSC and forward the SMS. Thus, a GSM/UMTS/EPS PLMN supports the transfer of short messages between service centers and UEs.

SMS is delivered over LTE through the following methods:

- **SMS over SGs:** The LTE UE device sends and retrieves circuit switched (CS) based SMS messages through the SGs interface. This method is already supported by the MME.
- **SMS over IP:** SIP based SMS messages are carried through IMS. The SMS to be transmitted is encapsulated in the SIP message. This method is not supported in this release.
- **SMS in MME:** SMS in MME delivers SMS services over the SGd interface to the SMSC. This method is intended for networks that do not deploy GERAN or UTRAN. This method is supported in this release.
- **SMS over SGd:** MME supports SMS over SGd for Combined EPS Attach and EPS only Attach.

For more information, see the *Configuring MME Preference for SMS section*.

## How It Works

The SGd interface enables the transfer of short messages between the MME and the SMSC using Diameter protocol. SCTP is used as the transport protocol.

The Short Message Control Protocol (SM-CP) and Short Message Relay Protocol (SM-RP) are traditional SMS protocols between MSC/VLR and UE. The SMS will be sent by the MME bypassing the MSC/VLR.

SM-CP transmits the SMS and protects against loss caused by changing the dedicated channel. SM-RP manages the addressing and references.

With the new interface configuration towards SMSC, MME will setup an SCTP association with the peer SMSC and the Diameter capability exchange will be performed.

## Limitations

This section lists the known limitations for the SMS feature:

- MME will attempt to fallback to the SGs mode if SGd and SGs are enabled and if HSS rejects SMS in MME. This functionality is not supported in this release.
- Multiple SMSC service association is not supported. Only one endpoint will be associated with an MME service. If multiple SMSC services are required, then the SMS router must be used.
- The Serving Node Identity AVP is not supported in the Alert-Service-Centre-Request command. Hence SMSC needs to perform the "Send Routing Info for SM" procedure to retrieve the address of the new serving node from the HSS.
- Sending or processing of the "Pending MT Short Message Indication" flag under Forward Relocation Request will not be supported.
- Sending and processing of "MME number for MT SMS" and "MME Identifier for MT SMS" under Forward Relocation Request/Response are not supported.
- SMS will not be processed when the MME common procedure is ongoing.
- Notify Request to HSS for each UE due to removal of SMSC service is not supported.
- Notify Request to HSS is not supported if UE does an IMSI Detach.
- Delete Subscription Data Request from HSS is not supported for MO/MT SMS.
- CDR generation is not supported.

## Flows

This section describes the call flows related to the SMS feature.

### Obtaining UE capability for SMS

**Combined Attach:** If the UE requests "SMS-only" in the Additional Update Type IE of combined attach and the network accepts the Attach Request for EPS services and "SMS-only", the network will indicate "SMS-only" in the Additional Update Result IE. If the SMS services are provided by SGd in the MME, the network will provide a TMSI and non-broadcast LAI in the Attach Accept message.

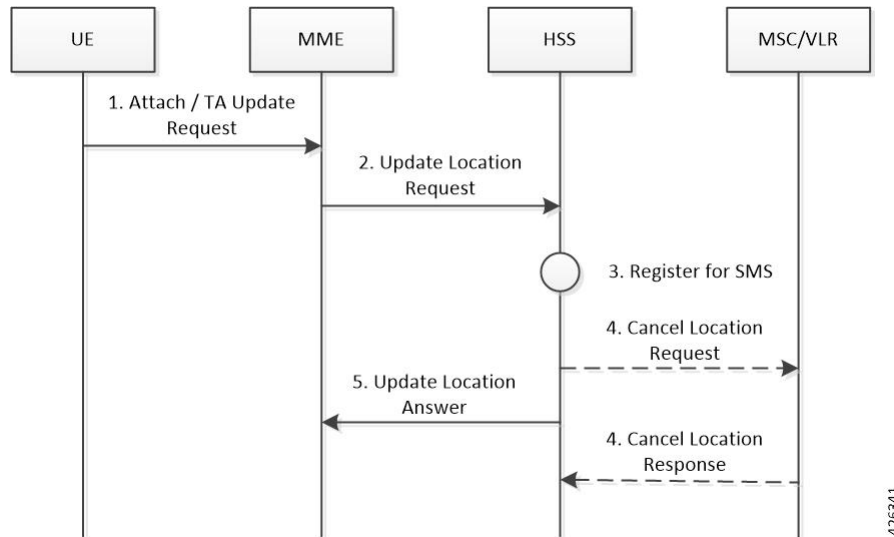
**EPS Attach:** To support the SMS-only handling option for NB-IoT users, the MME must accept the Attach Request. The Attach Request must be associated with an Attach Type of "EPS Attach", or a "TAU Request" with an Update Type of "TA Updating" with an SMS-only indication in the Additional Update IE.

### SMS Capability with HSS

A UE supporting SMS in MME needs to perform a registration with the HSS.

The following call flow illustrates the request for registration with the HSS.

Figure 87: SMS Capability with HSS



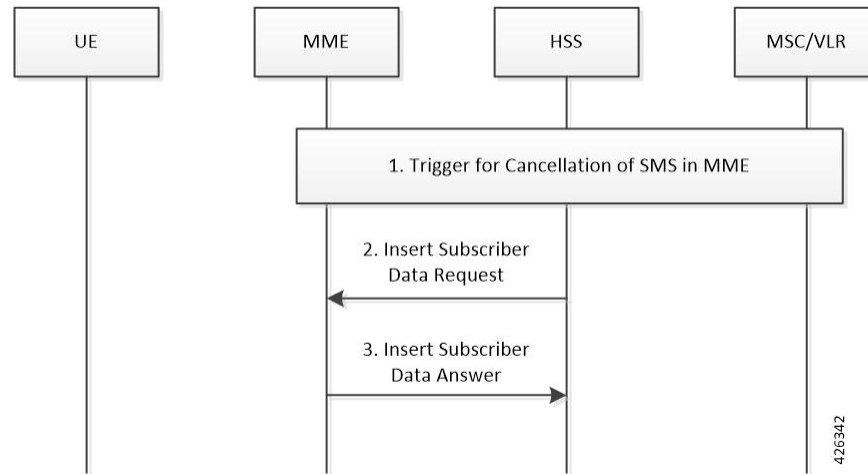
Step	Description
1	The UE initiates combined Attach Update or combined TAU/LAU to an MME.
2	The MME sends an Update Location Request message to the HSS with the following data: <ul style="list-style-type: none"> <li>• SMS bit set in Feature-List in Supported-Features AVP. The Feature-List ID will be set to 2.</li> <li>• "SMS-only" indication bit set in ULR-Flags AVP.</li> <li>• MME address for MT-SMS routing in MME-Number-for-MT-SMS AVP.</li> <li>• "SMS-only" indication set in SMS-Register-Request AVP.</li> </ul>
3	HSS registers the UE for SMS support in MME.
4	If the HSS accepts to register the MME identity as an MSC identity for terminating SMS services, then the HSS cancels the MSC/VLR registration from the HSS.
5	For successful registrations, HSS sends a Location Update Answer (indication that the MME has registered for SMS) message to the MME. HSS sets the "MME Registered for SMS" bit in ULA-Flags AVP.

## HSS-initiated Removal of Registration for SMS

The following procedure is applied when the HSS needs to indicate to the MME that it is no longer registered for SMS.



Figure 88: Removal of Registration for SMS

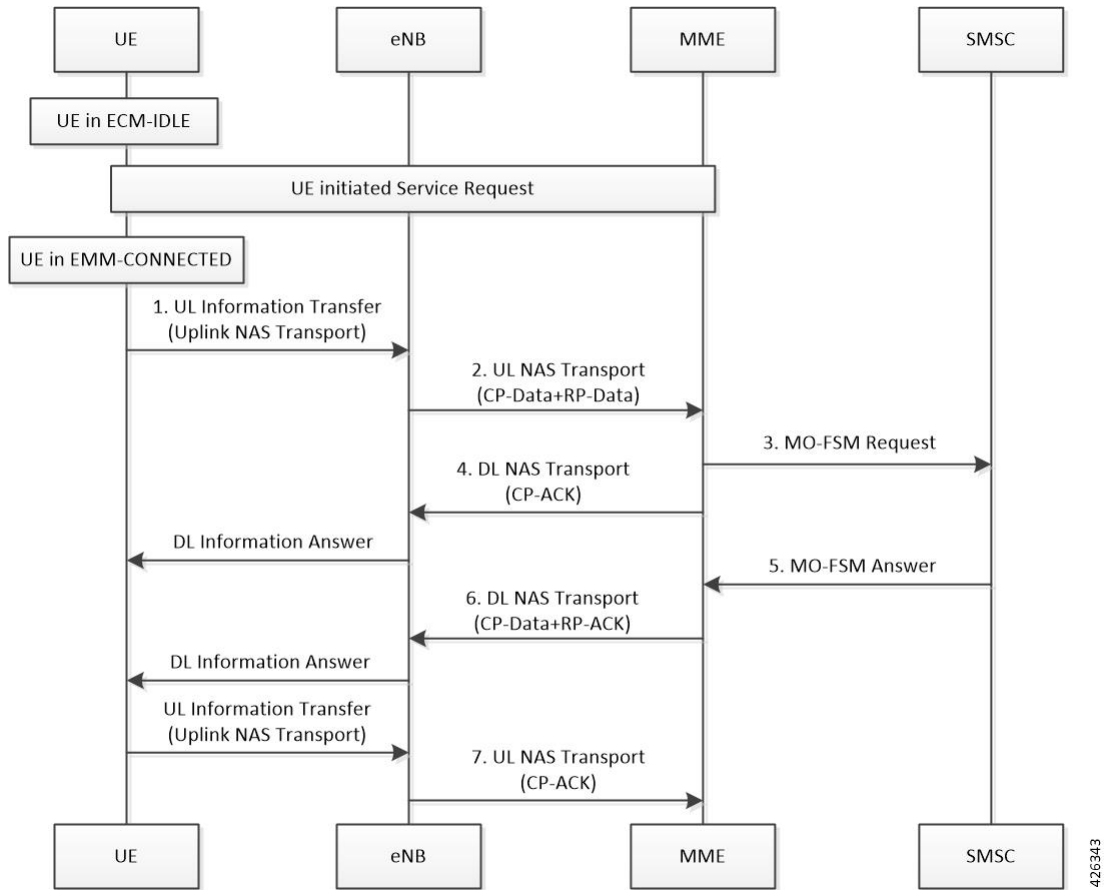


Step	Description
1	An event will trigger the cancellation of the MME being registered for SMS. For example, removal of the SMS subscription for the UE, CS location update, and so on.
2	The HSS sends an Insert Subscriber Data Request (Remove SMS registration) message to the MME to inform that it is no more registered for SMS in MME.
3	The MME sets the "MME Registered for SMS" parameter as not registered for SMS and the "SMS Subscription Data" is considered by the MME as invalid. It acknowledges with an Insert Subscriber Data Answer message to the HSS.

## MO Forward Short Message Procedure

The MO Forward Short Message procedure is used between the serving MME and the SMSC to forward mobile originated short messages from a mobile user to a service center. MME checks the SMS related subscription data and forwards the short message.

Figure 89: MO Forward Short Message Procedure



426343

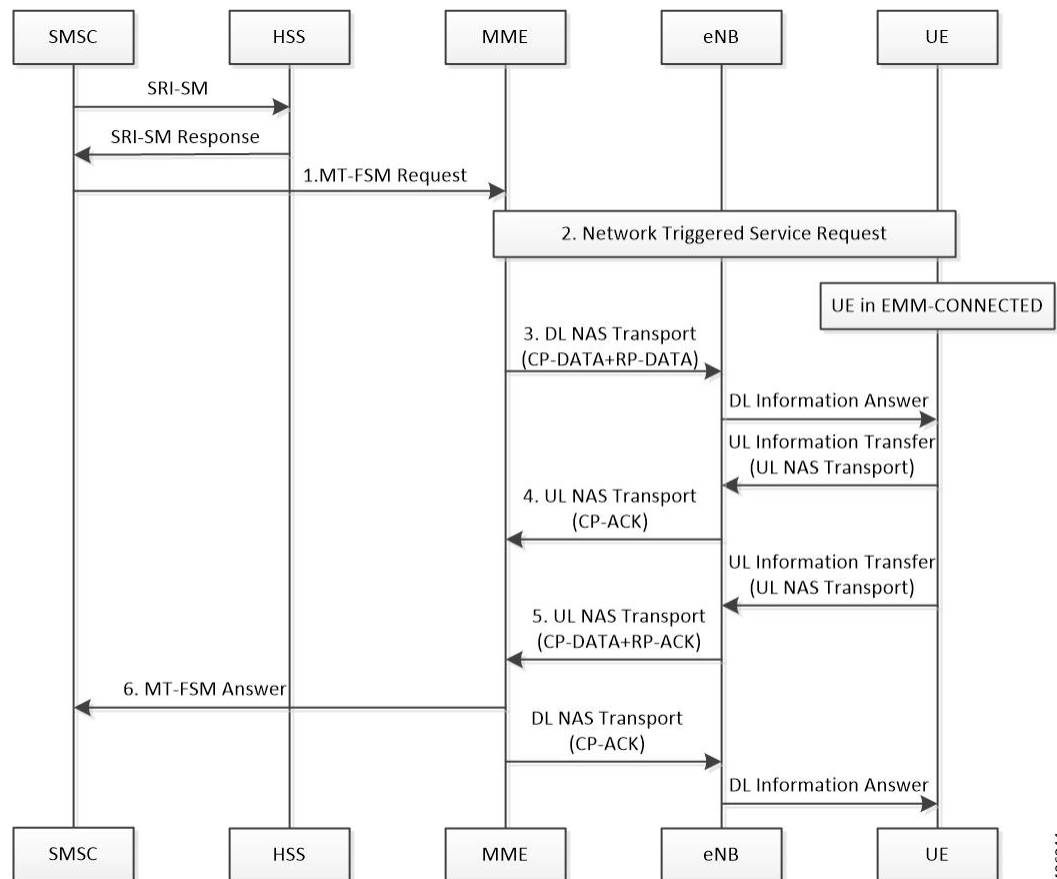
Step	Description
1	The UE sends mobile originated SMS to MME in the Uplink NAS Transport message.
2	MME will encapsulate the SMS in CP-DATA+RP-DATA.
3	The message will be encoded into MO-Forward-Short-Message-Request (OFR) message and sent to SMSC.
4	MME acknowledges the received SMS by sending CP-ACK to UE in the Downlink NAS Transport message.
5	SMSC processes the received OFR message and responds backs with MO-Forward-Short-Message-Answer (OFA) message to MME.
6	MME forwards the acknowledgement from SMSC in CP-DATA+RP-ACK to UE.
7	UE acknowledges the SMS delivery by sending CP-ACK to MME in the Uplink NAS Transport message.

## MT Forward Short Message Procedure

The MT Forward Short Message procedure is used between the SMSC and the serving MME to forward mobile terminated short messages.

- When receiving the MT Forward Short Message Request, the MME checks if the user is known. If it is an unknown user, an Experimental-Result-Code set to DIAMETER\_ERROR\_USER\_UNKNOWN is returned.
- The MME attempts to deliver the short message to the UE. If the delivery of the short message to the UE is successful, the MME returns a Result-Code set to DIAMETER\_SUCCESS.
- If the UE is not reachable via the MME, the MME sets the MNRF flag and returns an Experimental-Result-Code set to DIAMETER\_ERROR\_ABSENT\_USER.
- If the delivery of the mobile terminated short message failed because the memory capacity exceeded, UE error, or UE not SM equipped, the MME returns an Experimental-Result-Code set to DIAMETER\_ERROR\_SM\_DELIVERY\_FAILURE with a SM Delivery Failure Cause indication.

**Figure 90: MT Forward Short Message**

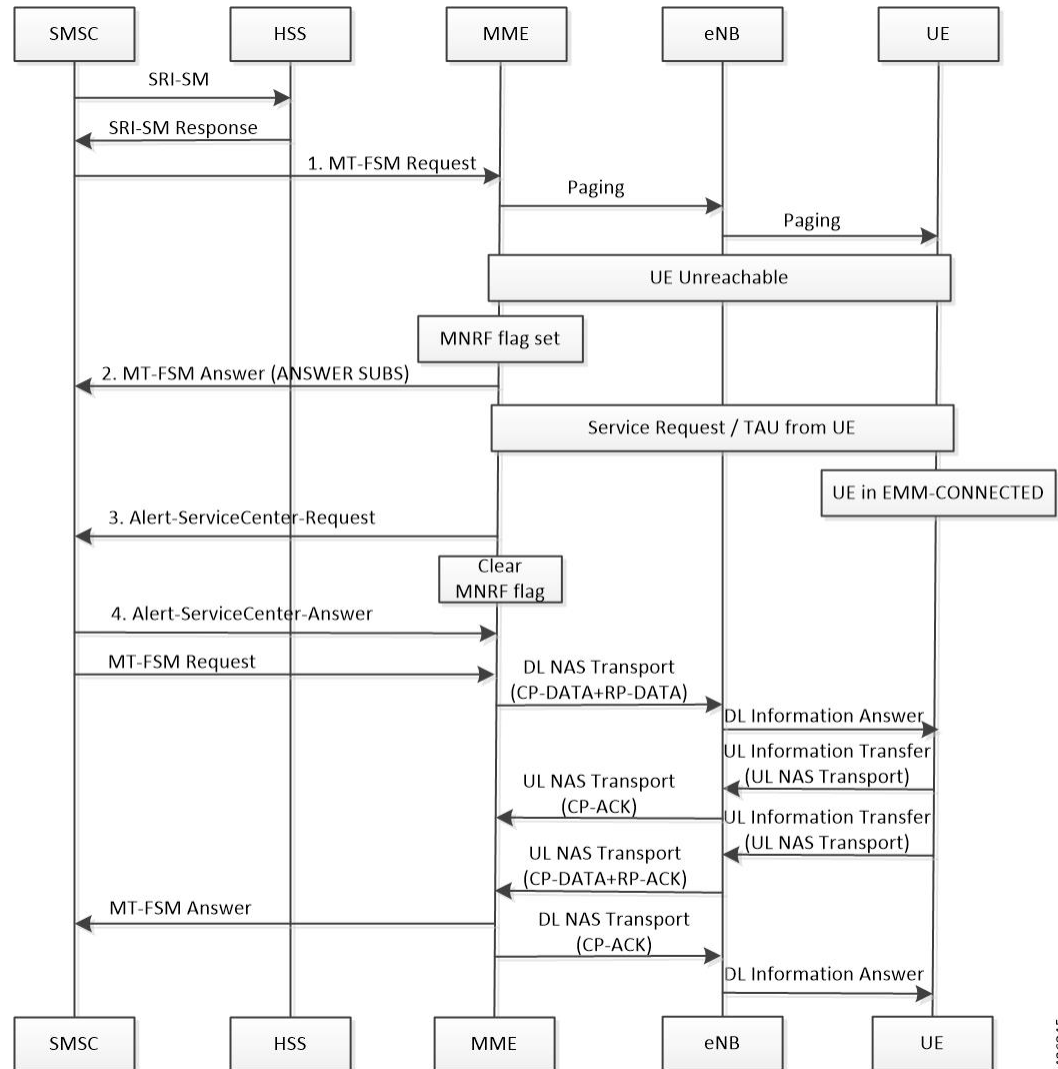


Step	Description
1	The SMSC sends mobile terminated SMS to MME in the MT-Forward-Short-Message-Request (TFR) message.
2	If the UE is in IDLE mode then MME initiates paging and establishes an S1AP connection provided UE replies with paging response.
3	Once the UE is in CONNECTED mode, MME forwards the SMS in CP-DATA+RP-DATA to UE using the Downlink NAS Transport message.
4	The UE acknowledges the received message by sending CP-ACK in the Uplink NAS Transport message.
5	The UE processes the received SMS and sends CP-DATA+RP-ACK to MME.
6	The MME sends the MT-Forward-Short-Message-Answer (TFA) command to SMSC and forwards CP-ACK to the UE in the Downlink NAS Transport message.

### MT Forward Short Message Procedure (UE Unreachable)

The MT Forward Short Message procedure is used between the SMSC and the serving MME to forward mobile terminated short messages for an UE that is unreachable.

Figure 91: MT Forward Short Message Procedure (UE Unreachable)



Step	Description
1	The SMSC sends mobile terminated SMS to MME in the MT-Forward-Short-Message-Request (TFR) message.
2	If the UE is paged but is not reachable, MME sets the MNRF flag and sends the MT-Forward-Short-Message-Answer (TFA) message with Subscriber-absent cause to the SMSC.
3	When the UE becomes available and gets connected to the core network, MME clears the MNRF flag.  MME sends the Alert-Service-Centre-Request (ALR) message to SMSC to inform that UE is reachable and that SMS delivery can be re-attempted. This is controlled by the <b>mme sgd send message alr trigger mnrf</b> CLI command and disabled by default.

Step	Description
4	The SMSC responds with the Alert-Service-Centre-Answer (ALA) command to the MME and then follows the route procedure of sending MT SMS to UE.
5	Also, the Notify Request to HSS will be sent with alert reason "user available". This is controlled by the <b>mme s6a send message nor trigger mnrf</b> CLI command and enabled by default.

## MT Forward Short Message Procedure (UE Memory Unavailable)

This procedure is used between the SMSC and the serving MME to forward mobile terminated short messages for an UE that has unavailable memory.

Step	Description
1	The SMSC sends mobile terminated SMS to MME in the MT-Forward-Short-Message-Request (TFR) message, but UE memory is full and returns the RP Error with cause code "Memory capacity exceeded". MME sets the MNRF flag and sends the MT-Forward-Short-Message-Answer (TFA) message with cause code "SM Delivery Failure" and failure cause "Memory capacity exceeded" to SMSC.
2	Once the UE memory is available, it will send RP-SMMA message to MME. MME clears the MNRF flag and sends the Alert-Service-Centre-Request (ALR) message to SMSC to inform that UE memory is available and the SMS delivery can be re-attempted. This is controlled by the <b>mme sgd send message alr trigger mnrf</b> CLI command and disabled by default.
3	The SMSC responds with the Alert-Service-Centre-Answer (ALA) command to the MME and then follows the route procedure of sending MT SMS to UE.
4	The Notify Request to HSS will also be sent with alert reason "user memory available". This is controlled by the <b>mme s6a send message nor trigger mnrf</b> CLI command and enabled by default.

## MT Forward Short Message Procedure (UE Moves due to HO)

This procedure is used between the SMSC and the serving MME to forward mobile terminated short messages for an UE that moves due to handover.

Step	Description
1	While the MNRF flag is set due to UE unreachable or UE memory unavailable, UE may do a handover (HO) and move to another MME or SGSN.
2	Since the MNRF flag was set, MME will send the Alert-Service-Centre-Request (ALR) message to SMSC to inform that UE has moved to another MME or SGSN. This is controlled by the <b>mme sgd send message alr trigger mnrf</b> CLI command and disabled by default.
3	The SMSC responds with the Alert-Service-Centre-Answer (ALA) command to the MME and then follows the route procedure of sending MT SMS to UE.

Step	Description
4	The Notify Request to HSS will also be sent with alert reason "user memory available". This is controlled by the <b>mme s6a send message nor trigger mnrf</b> CLI command and enabled by default.



- Important** This procedure has the following limitations:
- New Serving Node Identity AVP is not supported and SMSC needs to perform the "Send Routing Info for SM" procedure to retrieve the new serving node's address from the HSS.
  - Sending or processing of the "Pending MT Short Message Indication" flag under Forward Relocation Request will not be supported.

## Standards Compliance

The SMS feature complies with the following standards:

- 3GPP TS 23.040 version 12.2.0: Digital cellular telecommunications system (Phase 2+); Universal Mobile Telecommunications System (UMTS); Technical realization of the Short Message Service (SMS)
- 3GPP TS 24.011 version 12.0.0: Digital cellular telecommunications system (Phase 2+); Universal Mobile Telecommunications System (UMTS); LTE; Point-to-Point (PP) Short Message Service (SMS) support on mobile radio interface
- 3GPP TS 24.301 version 13.12.0: Non-Access-Stratum (NAS) protocol for Evolved Packet System (EPS); Stage 3
- 3GPP TS 24.301 version 15.1.0: Non-Access-Stratum (NAS) protocol for Evolved Packet System (EPS); Stage 3
- 3GPP TS 29.272 version 12.11.0: Evolved Packet System (EPS); Mobility Management Entity (MME) and Serving GPRS Support Node (SGSN) related interfaces based on Diameter protocol
- 3GPP TS 29.272 version 15.2.0: Evolved Packet System (EPS); Mobility Management Entity (MME) and Serving GPRS Support Node (SGSN) related interfaces based on Diameter protocol
- 3GPP TS 29.338 version 13.4.0: Diameter based protocols to support Short Message Service (SMS) capable Mobile Management Entities (MMEs)
- 3GPP TS 29.338 version 14.3.0: Diameter based protocols to support Short Message Service (SMS) capable Mobile Management Entities (MMEs)

## Configuring SMS Support

This section provides information on the CLI commands to configure the SMSC service for SMS support in MME.

## Creating and Configuring SMSC Service

Use the following configuration to enable the SMSC service and configure the parameters in SMSC service to support MO/MT SMS delivery between SMSC, MME, and UE.

### configure

```

context context_name
  smsc-service smsc_svc_name
    diameter { dictionary standard | endpoint endpoint_name }
    mme-address mme_address
    tmsi tmsi_value non-broadcast mcc mcc_value mnc mnc_value lac lac_value
    default diameter dictionary
    no { diameter endpoint | mme-address | tmsi }
  end

```

### NOTES:

- **context** *context\_name*: Creates or specifies an existing context and enters the Context Configuration mode. *context\_name* specifies the name of a context entered as an alphanumeric string of 1 to 79 characters.
- **smsc-service** *smsc\_svc\_name*: Creates and configures an SMSC Peer service to allow communication with SMSC peer. *smsc\_svc\_name* specifies the name of the SMSC service as an alphanumeric string of 1 to 63 characters.

Entering this command in the Context mode results in the following prompt:

```
[context_name]host_name(config-smsc-service)#
```

- **diameter** { **dictionary standard** | **endpoint** *endpoint\_name* }: Configures the Diameter interface to be associated with the SMSC service.
  - **dictionary standard**: Configures the standard SGd dictionary.
  - **endpoint** *endpoint\_name*: Enables Diameter to be used for accounting and specifies which Diameter endpoint to use. *endpoint\_name* must be an alphanumeric string of 1 to 63 characters.
- **mme-address** *mme\_address*: Configures the MME address to send SMS on the SGd interface. *mme\_address* specifies the MME address (ISDN identity) as an integer from 1 to 15.
- **tmsi** *tmsi\_value* **non-broadcast** **mcc** *mcc\_value* **mnc** *mnc\_value* **lac** *lac\_value*: Configures the TMSI to be sent to UE. *tmsi\_value* specifies the 4-byte M-TMSI as an integer from 1 to 4294967295.
  - **non-broadcast**: Configures the non-broadcast Location Area Identifier (LAI).
  - **mcc** *mcc\_value*: Configures the mobile country code (MCC) portion of non-broadcast LAI for the SMSC service as an integer from 100 through 999.
  - **mnc** *mnc\_value*: Configures the mobile network code (MNC) portion of non-broadcast LAI for the SMSC service as a 2- or 3-digit integer from 00 through 999.
  - **lac** *lac\_value*: Configures the location area code (LAC) value as an integer from 1 to 65535.
- **default**: Configures the standard Diameter SGd dictionary by default.
- **no**: Disables the specified configuration.



### Verifying the Configuration

Use the following command to verify the configuration for all SMSC services or a specified SMSC service:

```
show smsc-service { all | name smsc_svc_name | statistics { all | name
smsc_svc_name | summary } }
```

## Configuring MME Preference for SMS

Use the following configuration to configure the MME preference for SMS and SMSC address.

```
configure
  call-control-profile profile_name
    sms-in-mme { preferred [ smsc-address smsc_address ] | smsc-address
smsc_address | subscribe { eps-only-attach } [ notify ue ] }
    no sms-in-mme { preferred [ smsc-address ] | smsc-address | subscribe
{ eps-only-attach } [ notify ue ] }
    default sms-in-mme { subscribe { eps-only-attach } [ notify ue ] }
  end
```



**Note** When the **sms-in-mme subscribe eps-only-attach** command is enabled, the SC Address AVP between the MME and SMSC is handled as per 3gpp release 15.

### NOTES:

- **call-control-profile** *profile\_name*: Creates an instance of a call control profile. *profile\_name* specifies the name of a call control profile entered as an alphanumeric string of 1 to 64 characters.
- **sms-in-mme**: Configures the SMS capability (SGd interface for SMS) in MME.
- **preferred**: Configures the SMS preference in MME.
- **smsc-address** *smsc\_address*: Configures the SMSC address (ISDN identity) for the MME to send SMS on the SGd interface. *smsc\_address* must be an integer from 1 to 15.
- **subscribe [ notify ue ]**: Enables the Subscription Request for SMS services (via SGd) to HSS for all users.
  - **notify**: Configures the notification to be sent to the users.
  - **ue**: Sends SMS-Only indication to UE in Attach/TAU Accept message (only if HSS accepts SMS Registration for SGd).
- **default**: Restores the default configuration, which is to enable the Subscription Request for SMS services (via SGd) to HSS for all users.
- **no**: Deletes the specified configuration.
- **eps-only-attach**: Configures support for SMS over SGd for Eps only Attach.

## Associating SMSC Service with MME Service

Use the following configuration to associate an SMSC service with the MME service.

```

configure
  context context_name
    mme-service service_name
      associate smsc-service smsc_svc_name [ context ctx_name ]
    end

```

**NOTES:**

- **context** *context\_name*: Creates or specifies an existing context and enters the Context Configuration mode. *context\_name* specifies the name of a context entered as an alphanumeric string of 1 to 79 characters.
- **mme-service** *service\_name*: Creates an MME service or configures an existing MME service in the current context. *service\_name* specifies the name of the MME service as an alphanumeric string of 1 to 63 characters.
- **associate smsc-service** *smsc\_svc\_name*: Associates an SMSC service with the MME service. *smsc\_svc\_name* specifies the name for a pre-configured SMSC service to associate with the MME service as an alphanumeric string of 1 to 63 characters.
- **context** *ctx\_name*: Identifies a specific context name where the named service is configured. If this keyword is omitted, the named service must exist in the same context as the MME service. *ctx\_name* must be an alphanumeric string of 1 to 63 characters.

## Configuring Alert SC Request on SGd interface

Use the following configuration to control sending the Alert SC Request (ALR) on SGd interface.

The user sends the Alert SC Request on SGd interface to SMSC in the event of user availability to received SMS (if user moved to active state from idle or user's memory is available). It is also sent if the user did a handover to the new MME/SGSN and any MT SMS was pending for the user.

```

configure
  call-control-profile profile_name
    [ no ] mme sgd send message alr trigger mnrf
  end

```

**NOTES:**

- **call-control-profile** *profile\_name*: Creates an instance of a call control profile. *profile\_name* specifies the name of a call control profile entered as an alphanumeric string of 1 to 64 characters.
- **mme**: Configures MME capability.
- **sgd**: Configures MME capability on SGd interface.
- **send**: Configures MME capability to send on SGd interface.
- **message**: Configures MME capability to send message on SGd interface.
- **alr**: Configures MME capability to send Alert SC Request (ALR) on SGd interface.
- **trigger**: Configures trigger to send the message.
- **mnrf**: Sends message to trigger MNRF flag on SGd interface (SMS in MME).
- **no**: Disables sending the ALR on SGd interface.
- This command is disabled by default.

**Verifying the Configuration**

Use the following command to verify whether Alert SC Request (MME SGd Message Options) is enabled or disabled:

```
show call-control-profile full all
```

**Configuring Notify Request on S6a Interface**

Use the following configuration to control sending the Notify Request (NOR) on S6a interface.

The user sends the Notify Request on S6a interface to HSS in the event of user availability to received SMS (user moved to active state from idle or user's memory is available).

```
configure
  call-control-profile profile_name
    [ no ] mme s6a send message nor trigger mnrf
  end
```

**NOTES:**

- **call-control-profile** *profile\_name*: Creates an instance of a call control profile. *profile\_name* specifies the name of a call control profile entered as an alphanumeric string of 1 to 64 characters.
- **mme**: Configures MME capability.
- **s6a**: Configures MME capability on S6a interface.
- **send**: Configures MME capability to send on S6a interface.
- **message**: Configures MME capability to send message on S6a interface.
- **nor**: Configures MME capability to send Notify Request (NOR) on S6a interface.
- **trigger**: Configures trigger to send the message.
- **mnrf**: Sends message to trigger MNRF flag on S6a interface (SMS in MME).
- **no**: Disables sending the NOR on S6a interface.
- This command is enabled by default.

**Verifying the Configuration**

Use the following command to verify whether Notify Request (MME S6a Message Options) is enabled or disabled:

```
show call-control-profile full all
```

**Configuring Queue Timers**

Use the following configuration to configure the MT Queue, TC1N, TR1N, and TR2N timers.

```
configure
  context context_name
    mme-service mme_svc_name
      emm { mt-queue-timeout mtq_timer | tc1n-timeout tc1n_timer |
```

```
tr1n-timeout tr1n_timer | tr2n-timeout tr2n_timer }
    default emm { mt-queue-timeout | tc1n-timeout | tr1n-timeout |
tr2n-timeout }
    end
```

**NOTES:**

- **context** *context\_name*: Creates or specifies an existing context and enters the Context Configuration mode. *context\_name* specifies the name of a context entered as an alphanumeric string of 1 to 79 characters.
- **mme-service** *service\_name*: Creates an MME service or configures an existing MME service in the current context. *service\_name* specifies the name of the MME service as an alphanumeric string of 1 to 63 characters.
- **mt-queue-timeout** *mtq\_timer*: Configures the timer to hold MT SMS in MT queue. MT SMS will be present in the queue while the previous SMS is being processed. The timer expiry will return error to SMSC for an absent subscriber. *mtq\_timer* specifies the timeout in seconds, as an integer from 1 to 300.  
Default: 30 seconds
- **tc1n-timeout** *tc1n\_timer*: Configures the retransmission timer to send CP SMS data to UE for MO/MT scenario. *tc1n\_timer* specifies the timeout in seconds, as an integer from 1 to 20.  
Default: 5 seconds
- **tr1n-timeout** *tr1n\_timer*: Configures the wait time to receive RP-Ack from UE for MT SMS, before sending error to SMSC. *tr1n\_timer* specifies the timeout in seconds, as an integer from 1 to 300.  
Default: 30 seconds
- **tr2n-timeout** *tr2n\_timer*: Configures the wait time to send RP-Ack to UE for MO SMS, before sending protocol error to UE. *tr2n\_timer* specifies the timeout in seconds, as an integer from 1 to 300.  
Default: 30 seconds
- **default**: Resets the specified timer timeout to the default value.

**Verifying the Configuration**

Use the following command to verify the configuration for TC1N, TR1N, TR2N, and MT Queue timeout:

```
show mme-service [ all | name service_name ]
```

## Configuring CP Data Retransmissions

Use the following configuration to configure the maximum number of retransmissions of CP data for MO or MT SMS scenario in MME.

```
configure
    context context_name
        mme-service service_name
            [ default ] cp-data-max-retransmissions num_retrans
        end
```

**NOTES:**

- **context** *context\_name*: Creates or specifies an existing context and enters the Context Configuration mode. *context\_name* specifies the name of a context entered as an alphanumeric string of 1 to 79 characters.

- **mme-service** *service\_name*: Creates an MME service or configures an existing MME service in the current context. *service\_name* specifies the name of the MME service as an alphanumeric string of 1 to 63 characters.
- **cp-data-max-retransmissions** *num\_retrans*: Configures the number of times CP Data for SMS is retransmitted. *num\_retrans* must be an integer from 1 to 10.
- **default**: Sets the default value to 2.

### Verifying the Configuration

Use the following command to verify the count for maximum retransmissions of CP Data:

```
show mme-service [ all | name service_name ]
```

## Configuring Heuristic paging for PS-SMS traffic via MME

Use the following configuration to configure Heuristic paging for PS-SMS traffic via MME.

```
configure
  context context_name
    lte-policy
      paging-map LTE_paging_map_name
        precedence map_precedence traffic-type ps sms paging-profile
        LTE_paging_profile_name
      end
    end
```

### NOTES:

- **sms**: Configures paging profile for SMS via SGd.




---

**Important** For more information on Heuristic paging see *Heuristic and Intelligent Paging* section of *MME Administration Guide*.

---

## Monitoring and Troubleshooting

This section provides information on the show commands and bulk statistics available for the SMS Support feature.

### Show Commands and/or Outputs

This section provides information regarding show commands and their outputs for the SMS Support feature.

#### show call-control-profile full all

The output of this command includes the following fields:

- SMS in MME — Displays the configured value (preferred / not-preferred) for SMS in MME.
- SMSC Address — Displays the configured SMSC address.

- Send SMS Subscription Request to HSS — Indicates whether the SMS Subscription Request to HSS is enabled or disabled.
- Send SMS Subscription Notification to UE — Indicates whether the SMS Subscription Notification to UE is enabled or disabled.
- MME S6a Message Options:
  - Notify Req (Trigger : MNRF flag) — Indicates whether the MNRF flag trigger for Notify Request is enabled or disabled.
- MME SGd Message Options:
  - Alert SC Request (Trigger : MNRF flag) — Indicates whether the MNRF flag trigger for Alert SC Request is enabled or disabled.

## show mme-service all

The output of this command includes the following fields:

- SMSC Context — Displays the name of the context in which SMSC service is configured.
- SMSC Service — Displays the name of the SMSC service associated with the MME service.
- TC1N Timeout — Displays the timeout duration configured for the TC1N timer. This timer can be configured to any value between 1 and 20 seconds. By default, it is 5 seconds.
- TR1N Timeout — Displays the timeout duration configured for the TR1N timer. This timer can be configured to any value between 1 and 300 seconds. By default, it is 30 seconds.
- TR2N Timeout — Displays the timeout duration configured for the TR2N timer. This timer can be configured to any value between 1 and 300 seconds. By default, it is 30 seconds.
- MT Queue Timeout — Displays the timeout duration configured for the MT Queue timer. This timer can be configured to any value between 1 and 300 seconds. By default, it is 30 seconds.
- CP Data Max Retransmissions Count — Displays the number of times CP Data for SMS is retransmitted.

## show mme-service session full all

The output of this command includes the following fields:

- SMS Capability Information:
  - SGd Enabled — Displays Yes or No to indicate whether SGd is enabled or not.
  - MS Not Reachable — Displays Yes or No to indicate whether MS Not Reachable is enabled or not.
  - MS Memory Capacity Exceeded — Displays Yes or No to indicate whether MS memory capacity has exceeded.

## show mme-service statistics

The output of this command includes the following fields:

- Paging Initiation for PS SMS Events:

- **Attempted** — The total number of ECM statistics-related PS SMS Paging Initiation events that were attempted.
  - **Success** — The total number of ECM statistics-related PS SMS Paging Initiation events that were successful.
  - **Failures** — The total number of ECM statistics-related PS SMS Paging Initiation events that failed.
  - **Success at Last n eNB** — The total number of ECM statistics-related PS SMS Paging Initiation events that succeeded at the last known eNodeB.
  - **Success at Last TAI** — The total number of ECM statistics-related PS SMS Paging Initiation events that succeeded at an eNodeB in the TAI from which the UE was last heard.
  - **Success at TAI List** — The total number of ECM statistics-related PS SMS Paging Initiation events that succeeded at an eNodeB in all TAIs present in the TAI list assigned to the UE.
- **NB-IoT with SMS:**
    - **Attach Requests Rcvd** — The total number of EPS Attach Requests received for NB-IoT subscribers with SMS option.

## show smmc-service name <smmc\_svc\_name>

The output of this command includes the following fields:

- **Service name** — Displays the name of the configured SMSC service.
- **Context** — Displays the name of the configured context.
- **Status** — Displays the status of the SMSC service.
- **Diameter endpoint** — Displays the configured Diameter endpoint name.
- **Diameter dictionary** — Displays the configured Diameter dictionary.
- **Tmsi** — Displays the configured TMSI value.
- **Non-broadcast-Lai** — Displays the configured non-broadcast MCC, MNC, and LAC values.
- **MME-address** — Displays the configured MME address.

## show smmc-service statistics all

The output of this command includes the following fields:

- **Session Stats:**
  - **Total Current Sessions** — Displays the total number of current SMSC sessions.
  - **Sessions Failovers** — Displays the number of SMSC session failovers.
  - **Total Starts** — Displays the total number of SMSC session starts.
  - **Total Session Updates** — Displays the total number of SMSC session updates.
  - **Total Terminated** — Displays the total number of terminated SMSC sessions.

- Message Stats:
  - Total Messages Rcvd — Displays the total number of messages received.
  - Total Messages Sent — Displays the total number of messages sent.
  - OF Request — Displays the total number of OF requests.
  - OF Answer — Displays the total number of OF answers.
  - OFR Retries — Displays the total number of OFR retries.
  - OFR Timeouts — Displays the total number of OFR timeouts.
  - OFA Dropped — Displays the total number of OFA dropped.
  - TF Request — Displays the total number of TF requests.
  - TF Answer — Displays the total number of TF answers.
  - TFR Retries — Displays the total number of TFR retries.
  - TFA Timeouts — Displays the total number of TFA timeouts.
  - TFA Dropped — Displays the total number of TFA dropped requests.
  - AL Request — Displays the total number of AL requests.
  - AL Answer — Displays the total number of AL answers.
  - ALR Retries — Displays the total number of ALR retries.
  - ALR Timeouts — Displays the total number of ALR timeouts.
  - ALA Dropped — Displays the total number of ALA dropped.
- Message Error Stats:
  - Unable To Comply — Displays the total number of message errors containing the result code "Unable To Comply".
  - User Unknown — Displays the total number of message errors containing the result code "User Unknown".
  - User Absent — Displays the total number of message errors containing the result code "User Absent".
  - User Illegal — Displays the total number of message errors containing the result code "User Illegal".
  - SM Delivery Failure — Displays the total number of message errors containing the result code "SM Delivery Failure".
  - User Busy for MT SMS — Displays the total number of message errors containing the result code "User Busy for MT SMS".
  - Other Errors — Displays the total number of message errors containing the result code "Other Errors".
- Bad Answer Stats:
  - Auth-Application-Id — Displays the absence or unexpected value in Auth-Application-Id AVP.



- Session-Id — Displays the absence or unexpected value in Session-Id AVP.
- Origin-Host — Displays the absence of Origin-Host AVP.
- Origin Realm — Displays the absence of Origin-Realm AVP.
- Parse-Message-Errors — Displays the total number of parse errors in the message.
- Parse-Mscs-Errors — Displays the total number of parse errors in MSCS AVP.
- Miscellaneous — Displays the total number of other miscellaneous errors.

## show smsc-service statistics summary

The output of this command includes the following fields:

- SMSC Session Stats:
  - Total Current Sessions — Displays the total number of current SMSC sessions.
  - Sessions Failovers — Displays the total number of SMSC session failovers.
  - Total Starts — Displays the total number of SMSC session starts.
  - Total Session Updates — Displays the total number of SMSC session updates.
  - Total Terminated — Displays the total number of terminated SMSC sessions.

## show sms statistics mme-only verbose

The output of this command includes the following fields:

SMS Statistics:

Session Statistics:

- MO SMS (In Progress) — The total number of mobile originated (MO) SMS messages that are waiting in the MME to be delivered.
- MT SMS (In Progress) — The total number of mobile terminated (MT) SMS messages that are waiting in the MME to be delivered.
- MT SMS (In Queue ) — The total number of mobile terminated SMS messages in the queue.
- SMMA (In Progress) — The total number of procedures for retrieval of available SMS memory in progress.
- MO-SMS Attempted — The total number of mobile originated SMS messages that are attempted to be delivered by the network.
- MO-SMS Successful — The total number of mobile originated SMS messages that are successfully delivered by the network.
- MT-SMS Attempted — The total number of mobile terminated SMS messages that are attempted to be delivered by the network.
- MT-SMS Successful — The total number of mobile terminated SMS messages that are successfully delivered by the network.

- SMMA Attempted — The total number of procedures for retrieval of available SMS memory attempted.
- SMMA Successful — The total number of procedures for retrieval of available SMS memory successful.

#### Message Statistics:

- CP Layer Messages:
  - CP Data (Tx) — The total number of protocol data units sent during connection setup.
  - CP Data (Rx) — The total number of protocol data units received during connection setup.
  - CP Ack (Tx) — The total number of Ack messages sent during connection setup.
  - CP Ack (Rx) — The total number of Ack messages received during connection setup.
  - CP Error (Tx) — The total number of protocol errors during connection setup in Tx message.
  - CP Error (Rx) — The total number of protocol errors during connection setup in Rx message.
- CP Error Cause Stats:
  - Network Failure (Tx)/(Rx) — The total number of protocol errors during connection setup due to network failure in Tx/Rx message.
  - Congestion (Tx)/(Rx) — The total number of protocol errors during connection setup due to congestion in Tx/Rx message.
  - Invalid TID (Tx)/(Rx) — The total number of protocol errors during connection setup due to invalid transaction ID (TID) in Tx/Rx message.
  - Invalid Semantic (Tx)/(Rx) — The total number of protocol errors during connection setup due to invalid semantics in Tx/Rx message.
  - Invalid Mand Info (Tx)/(Rx) — The total number of protocol errors during connection setup as mandatory information in Tx/Rx message is invalid.
  - Invalid Msg Type (Tx)/(Rx) — The total number of protocol errors during connection setup due to invalid Tx/Rx message type.
  - Invalid Prot State (Tx)/(Rx) — The total number of protocol errors during connection setup as protocol state in Tx/Rx message is invalid.
  - Invalid IE (Tx)/(Rx) — The total number of protocol errors during connection setup as information element in Tx/Rx message is invalid.
  - Protocol Error (Tx)/(Rx) — The total number of protocol errors during connection setup as protocol error in Tx/Rx message.
  - Undefined Cause (Tx)/(Rx) — The total number of protocol errors during connection setup due to unspecified error in Tx/Rx message.
- Message Drop Counters:
  - CP Data — The total number of CP data packets dropped during connection setup.
    - Retransmission Drops — The total number of data packets dropped during retransmission.
    - Unknown TID Drops — The total number of data packets dropped during connection setup due to unknown transaction ID (TID).

- Invalid TID Drops — The total number of data packets dropped during connection setup due to invalid transaction ID (TID) received.
- CP Ack — The total number of CP acknowledgement messages dropped during connection setup.
  - CP-ACK Drop for Invalid TID Rcvd — The total number of CP-Ack messages dropped during connection setup due to invalid transaction ID (TID) received.
- CP Error — The total number of CP data packets dropped during connection setup due to error in connection.
  - CP-ERR Drop for Invalid TID Rcvd — The total number of CP-ERR messages dropped during connection setup due to invalid transaction ID (TID) received.
- RP Layer Messages:
  - RP Data (Tx) — The total number of protocol data units sent during message relay.
  - RP Data (Rx) — The total number of protocol data units received during message relay.
  - RP Ack (Tx) — The total number of Ack messages sent during message relay.
  - RP Ack (Rx) — The total number of Ack messages received during message relay.
  - RP Error (Tx) — The total number of protocol errors during message relay in Tx message.
  - RP Error (Rx) — The total number of protocol errors during message relay in Rx message.
  - RP SMMA (Rx) — The total number RP SMMA messages received.
- RP Error Cause Stats:
  - Unassigned Number (Tx) — The total number of protocol errors sent during message relay due to unassigned protocol number.
  - Opr. Determined Barring (Tx) — The total number of protocol errors sent during message relay due to operator determined barring.
  - Call Barred (Tx) — The total number of protocol errors sent during message relay due to call barring.
  - Reserved (Tx) — The total number of protocol errors sent during message relay due to reserved resources.
  - SM Transfer Rejected (Tx) — The total number of protocol errors sent during message relay due to session manager transfer rejection.
  - Destination Out Of Order (Tx) — The total number of protocol errors sent during message relay due to out of order on destination.
  - Unidentified Subscriber (Tx) — The total number of protocol errors sent during message relay due to unidentified subscriber.
  - Facility Rejected (Tx) — The total number of protocol errors sent during message relay due to facility rejection.
  - Unknown Subscriber (Tx) — The total number of protocol errors sent during message relay due to unknown subscriber.

- Network Out Of Order (Tx) — The total number of protocol errors sent during message relay due to out-of-order network.
  - Temporary Failure (Tx) — The total number of protocol errors sent during message relay due to temporary failure in network.
  - Congestion (Tx) — The total number of protocol errors sent during message relay due to congestion in network.
  - Not Subscribed (Tx) — The total number of protocol errors sent during message relay as this service is not subscribed by subscriber.
  - Not Implemented (Tx) — The total number of protocol errors sent during message relay as this service is not yet implemented.
  - Interworking Error (Tx) — The total number of protocol errors sent during message relay due to interworking error between two networks or technology.
  - Resource Un-available (Tx) — The total number of protocol errors sent during message relay as resources are not available.
  - Memory Capacity Exceeded (Rx) — The total number of protocol errors received during message relay as capacity is exceeded.
  - Invalid Reference Number (Tx)/(Rx) — The total number of protocol errors during message relay as invalid reference in Tx/Rx message.
  - Invalid Semantic (Tx)/(Rx) — The total number of protocol errors during message relay due to invalid semantics in Tx/Rx message.
  - Invalid Mandatory Info (Tx)/(Rx) — The total number of protocol errors during message relay as mandatory information in Tx/Rx message is invalid.
  - Invalid Message Type (Tx)/(Rx) — The total number of protocol errors during message relay due to invalid Tx/Rx message type.
  - Invalid Protocol State (Tx)/(Rx) — The total number of protocol errors during message relay as protocol state in Tx/Rx message is invalid.
  - Invalid IE (Tx)/(Rx) — The total number of protocol errors during message relay as information element in Tx/Rx message is invalid.
  - Protocol Error (Tx)/(Rx) — The total number of RP ERROR messages sent/received with the cause Protocol Error in the message header.
  - Undefined Error (Tx)/(Rx) — The total number of protocol errors during message relay due to unspecified error in Tx/Rx message.
- Message Drop Counters:
    - RP Data — The total number of RP data packets dropped during message relay.
    - RP Ack — The total number of RP acknowledgement messages dropped during message relay.
    - RP Error — The total number of RP data packets dropped during message relay due to error in connection.

- RP Decode Failures — The total number of messages dropped during message relay due to invalid transaction ID (TID) received.

General Statistics:

- Concatenated MO SMS — The total number of concatenated mobile originated SMS messages.
- CP Timer Expiry — The total number of events when timer expired during connection setup.
- TR1N Timer — The total number of events when TR1N timer expired during mobile terminated SMS is in wait state for RP-ACK.
- TR2N Timer — The total number of events when TR2N timer expired during mobile terminated SMS is in wait state to send RP-ACK.
- CP Data Retrans — The total number of protocol data units retransmitted during connection setup.
- RP Msg Encode Fail — The total number of message encoding failures during message relay.
- CP Data Tx Fail — The total number of protocol data units with Tx messages failed during connection setup.
- CP Data Inv TID — The total number of protocol data units with invalid transaction ID (TID) during connection setup.
- Max Retrans Reached — The total number of events when retransmission limit is exhausted during connection setup.
- SMSC Addr Restricted — The total number of SMSC addresses restricted.
- MO SMSC Addr Restricted — The total number of mobile originated SMSC addresses restricted.
- MT SMSC Addr Restricted — The total number of mobile terminated SMSC addresses restricted.
- CP-DATA No Cp Ack Rx — The total number of mobile terminated messages failed as no acknowledgement is received during connection setup.
  - Release Indication Waiting MO CP-ACK Delivery — The total number of release indications waiting to be transferred between network and MS for mobile originated control protocol acknowledgement messages that are being delivered.
  - Release Indication Waiting MO CP-DATA Delivery — The total number of release indications waiting to be transferred between network and MS for mobile originated control protocol data messages that are being delivered.
  - Release Indication Waiting MO CP-ERR Delivery — The total number of release indications waiting to be transferred between network and MS for mobile originated control protocol error messages that are being delivered.
  - Release Indication Waiting MT CP-DATA Delivery — The total number of release indications waiting to be transferred between network and MS for mobile terminated control protocol data messages that are being delivered.
  - Release Indication Waiting MT CP-ACK Delivery — The total number of release indications waiting to be transferred between network and MS for mobile terminated control protocol acknowledgement messages that are being delivered.

- Release Indication Waiting MT CP-ERR Delivery — The total number of release indications waiting to be transferred between network and MS for mobile terminated control protocol error messages that are being delivered.
- MT-SMS Failures:
  - IMSI Record Not Found — The total number of mobile terminated messages failed as IMSI record is not available.
  - Busy Subscriber — The total number of mobile terminated messages failed due to busy subscriber.
  - Detached Subscriber — The total number of mobile terminated messages failed due to detached subscriber.
  - MT Queue Full — The total number of mobile terminated messages failed as messaged queue was full.

## Bulk Statistics

This section provides information on the bulk statistics supported for the SMS feature.

### MME Schema

The following SMS feature related bulk statistics are available in the MME schema.

Bulk Statistics	Description
ps-sms-paging-init-events-attempted	The total number of PS SMS Paging Initiation events that were attempted.
ps-sms-paging-init-events-success	The total number of PS SMS Paging Initiation events that were successful.
ps-sms-paging-init-events-failures	The total number of PS SMS Paging Initiation events that failed.
ps-sms-paging-last-enb-success	The total number of PS SMS Paging Initiation events that succeeded at the last known eNodeB.
ps-sms-paging-last-tai-success	The total number of PS SMS Paging Initiation events that succeeded at an eNodeB in the TAI from which the UE was last heard.
ps-sms-paging-tai-list-success	The total number of PS SMS Paging Initiation events that succeeded at an eNodeB in all TAIs present in the TAI list assigned to the UE.

### MME-SMS Schema

The following SMS feature related bulk statistics are available in the MME-SMS schema.

<b>Bulk Statistics</b>	<b>Description</b>
mo-sms-in-progress	The total number of mobile originated (MO) SMS messages that are waiting in the MME to be delivered.
mt-sms-in-progress	The total number of mobile terminated (MT) SMS messages that are waiting in the MME to be delivered.
mt-sms-in-queue	The total number of mobile terminated SMS messages in the queue.
sms-memory-available-in-progress	The total number of procedures for retrieval of available SMS memory in progress.
mo-sms-attempted	The total number of mobile originated SMS messages that are attempted to be delivered by the network.
mo-sms-successful	The total number of mobile originated SMS messages that are successfully delivered by the network.
mt-sms-attempted	The total number of mobile terminated SMS messages that are attempted to be delivered by the network.
mt-sms-successful	The total number of mobile terminated SMS messages that are successfully delivered by the network.
sms-memory-available-attempted	The total number of procedures for retrieval of available SMS memory attempted.
sms-memory-available-successful	The total number of procedures for retrieval of available SMS memory successful.
conn-prot-data-tx	The total number of protocol data units sent during connection setup.
conn-prot-data-rx	The total number of protocol data units received during connection setup.
conn-prot-ack-tx	The total number of Ack messages sent during connection setup.
conn-prot-ack-rx	The total number of Ack messages received during connection setup.
conn-prot-error-tx	The total number of protocol errors during connection setup in Tx message.
conn-prot-error-rx	The total number of protocol errors during connection setup in Rx message.
conn-prot-error-nwt-fail-tx	The total number of protocol errors during connection setup due to network failure in Tx message.
conn-prot-error-nwt-fail-rx	The total number of protocol errors during connection setup due to network failure in Rx message.

<b>Bulk Statistics</b>	<b>Description</b>
conn-prot-error-congestion-tx	The total number of protocol errors during connection setup due to congestion in Tx message.
conn-prot-error-congestion-rx	The total number of protocol errors during connection setup due to congestion in Rx message.
conn-prot-error-invalid-tid-tx	The total number of protocol errors during connection setup due to invalid transaction ID (TID) in Tx message.
conn-prot-error-invalid-tid-rx	The total number of protocol errors during connection setup due to invalid transaction ID (TID) in Rx message.
conn-prot-error-invalid-semantic-tx	The total number of protocol errors during connection setup due to invalid semantics in Tx message.
conn-prot-error-invalid-semantic-rx	The total number of protocol errors during connection setup due to invalid semantics in Rx message.
conn-prot-error-invalid-mand-info-tx	The total number of protocol errors during connection setup as mandatory information in Tx message is invalid.
conn-prot-error-invalid-mand-info-rx	The total number of protocol errors during connection setup as mandatory information in Rx message is invalid.
conn-prot-error-invalid-msg-type-tx	The total number of protocol errors during connection setup due to invalid Tx message type.
conn-prot-error-invalid-msg-type-rx	The total number of protocol errors during connection setup due to invalid Rx message type.
conn-prot-error-invalid-prot-state-tx	The total number of protocol errors during connection setup as protocol state in Tx message is invalid.
conn-prot-error-invalid-prot-state-rx	The total number of protocol errors during connection setup as protocol state in Rx message is invalid.
conn-prot-error-invalid-ie-tx	The total number of protocol errors during connection setup as information element in Tx message is invalid.
conn-prot-error-invalid-ie-rx	The total number of protocol errors during connection setup as information element in Rx message is invalid.
conn-prot-error-protocol-error-tx	The total number of protocol errors during connection setup as protocol error in Tx message.
conn-prot-error-protocol-error-rx	The total number of protocol errors during connection setup as protocol error in Rx message.



<b>Bulk Statistics</b>	<b>Description</b>
conn-prot-error-undefined-cause-tx	The total number of protocol errors during connection setup due to unspecified error in Tx message.
conn-prot-error-undefined-cause-rx	The total number of protocol errors during connection setup due to unspecified error in Rx message.
conn-prot-data-dropped	The total number of data packets dropped during connection setup.
conn-prot-ack-dropped	The total number of Ack messages dropped during connection setup.
conn-prot-error-dropped	The total number of data packets dropped during connection setup due to error in connection.
conn-prot-inval-tid-rcvd	The total number of messages dropped during connection setup due to invalid transaction ID (TID) received.
relay-prot-data-tx	The total number of protocol data units sent during message relay.
relay-prot-data-rx	The total number of protocol data units received during message relay.
relay-prot-ack-tx	The total number of Ack messages sent during message relay.
relay-prot-ack-rx	The total number of Ack messages received during message relay.
relay-prot-err-tx	The total number of protocol errors during message relay in Tx message.
relay-prot-err-rx	The total number of protocol errors during message relay in Rx message.
relay-prot-err-unassigned-num	The total number of protocol errors during message relay due to unassigned protocol number.
relay-prot-err-opr-determ-barring	The total number of protocol errors during message relay due to operator determined barring.
relay-prot-err-call-barred	The total number of protocol errors during message relay due to call barring.
relay-prot-err-reserved	The total number of protocol errors during message relay due to reserved resources.
relay-prot-err-sm-transfer-rej	The total number of protocol errors during message relay due to session manager transfer rejection.

<b>Bulk Statistics</b>	<b>Description</b>
relay-prot-err-dest-out-of-order	The total number of protocol errors during message relay due to out of order on destination.
relay-prot-err-unidentified-sub	The total number of protocol errors during message relay due to unidentified subscriber.
relay-prot-err-facility-rej	The total number of protocol errors during message relay due to facility rejection.
relay-prot-err-unknown-sub	The total number of protocol errors during message relay due to unknown subscriber.
relay-prot-err-netwk-out-of-order	The total number of protocol errors during message relay due to out-of-order network.
relay-prot-err-temp-fail	The total number of protocol errors during message relay due to temporary failure in network.
relay-prot-err-congestion	The total number of protocol errors during message relay due to congestion in network.
relay-prot-err-not-subscribed	The total number of protocol errors during message relay as this service is not subscribed by subscriber.
relay-prot-err-not-implemented	The total number of protocol errors during message relay as this service is not yet implemented.
relay-prot-err-interworking-err	The total number of protocol errors during message relay due to interworking error between two networks or technology.
relay-prot-err-res-unavail	The total number of protocol errors during message relay as resources are not available.
relay-prot-err-mem-capacity-exceed	The total number of protocol errors during message relay as capacity is exceeded.
relay-prot-err-inval-ref-num-tx	The total number of protocol errors during message relay as invalid reference in Tx message.
relay-prot-err-inval-ref-num-rx	The total number of protocol errors during message relay as invalid reference in Rx message.
relay-prot-err-inval-semantic-tx	The total number of protocol errors during message relay due to invalid semantics in Tx message.
relay-prot-err-inval-semantic-rx	The total number of protocol errors during message relay due to invalid semantics in Rx message.
relay-prot-err-inval-mand-info-tx	The total number of protocol errors during message relay as mandatory information in Tx message is invalid.

<b>Bulk Statistics</b>	<b>Description</b>
relay-prot-err-ival-mand-info-rx	The total number of protocol errors during message relay as mandatory information in Rx message is invalid.
relay-prot-err-ival-msg-type-tx	The total number of protocol errors during message relay due to invalid Tx message type.
relay-prot-err-ival-msg-type-rx	The total number of protocol errors during message relay due to invalid Rx message type.
relay-prot-err-ival-prot-state-tx	The total number of protocol errors during message relay as protocol state in Tx message is invalid.
relay-prot-err-ival-prot-state-rx	The total number of protocol errors during message relay as protocol state in Rx message is invalid.
relay-prot-err-ival-ie-tx	The total number of protocol errors during message relay as information element in Tx message is invalid.
relay-prot-err-ival-ie-rx	The total number of protocol errors during message relay as the information element in Rx message is invalid.
relay-prot-err-protocol-error-rx	The total number of RP ERROR messages sent with the cause Protocol Error in the message header.
relay-prot-err-protocol-error-tx	The total number of protocol errors during message relay when there are protocol errors in the transmitted message.
relay-prot-err-unidentified-error-tx	The total number of protocol errors during message relay due to unspecified error in Tx message.
relay-prot-err-unidentified-error-rx	The total number of protocol errors during message relay due to unspecified error in Rx message.
relay-prot-smma-rx	The total number RP SMMA messages received.
relay-prot-data-dropped	The total number of data packets dropped during message relay.
relay-prot-ack-dropped	The total number of Ack messages dropped during message relay.
relay-prot-error-dropped	The total number of data packets dropped during message relay due to error in connection.
relay-prot-decode-failure	The total number of messages dropped during message relay due to invalid transaction ID (TID) received.
concat-mo-sms	The total number of concatenated mobile originated SMS messages.

<b>Bulk Statistics</b>	<b>Description</b>
conn-prot-timer-expiry	The total number of events when timer expired during connection setup.
tr1n-timer-expiry	The total number of events when TR1N timer expired during mobile terminated SMS is in wait state for RP-ACK.
tr2n-timer-expiry	The total number of events when TR2N timer expired during mobile terminated SMS is in wait state to send RP-ACK.
conn-prot-data-retrans	The total number of protocol data units retransmitted during connection setup.
relay-prot-msg-encode-fail	The total number of message encoding failures during message relay.
conn-prot-data-tx-fail	The total number of protocol data units with Tx messages failed during connection setup.
conn-prot-data-inval-tid	The total number of protocol data units with invalid transaction ID (ID) during connection setup.
conn-prot-max-retrans-reached	The total number of events when retransmission limit is exhausted during connection setup.
mt-fail-no-db-rec	The total number of mobile terminated messages failed as database record is not available.
mt-fail-conn-prot-data-no-ack-rcvd	The total number of mobile terminated messages failed as no acknowledgement is received during connection setup.
mt-fail-fwd-busy-subs	The total number of mobile terminated messages failed due to busy subscriber.
mt-fail-fwd-detached-subs	The total number of mobile terminated messages failed due to detached subscriber.
mt-fail-mt-queue-full	The total number of mobile terminated messages failed as messaged queue was full.
eps-attach-nbiot-with-sms	The total number of EPS Attach requests received for NB-IoT subscribers with SMS option.



## CHAPTER 97

# Single Radio Voice Call Continuity

Voice over IP (VoIP) subscribers anchored in the IP Multimedia Subsystem (IMS) network can move out of an LTE coverage area and continue the voice call over the circuit-switched (CS) network through the use of the Single Radio Voice Call Continuity (SRVCC) feature. Unlike other methods like CSFB, it does not require a dual-mode radio.

- [Feature Summary and Revision History, on page 891](#)
- [Feature Description, on page 892](#)
- [How It Works, on page 895](#)
- [Configuring Single Radio Voice Call Continuity, on page 895](#)
- [Monitoring and Troubleshooting SRVCC, on page 902](#)

## Feature Summary and Revision History

### Summary Data

Applicable Product(s) or Functional Area	MME
Applicable Platform(s)	ASR 5500
Feature Default	Disabled - Configuration Required
Related Changes in This Release	Not Applicable
Related Documentation	<ul style="list-style-type: none"><li>• <i>Command Line Interface Reference</i></li><li>• <i>MME Administration Guide</i></li><li>• <i>Statistics and Counters Reference</i></li></ul>

### Revision History

Revision Details	Release
MME is enhanced to disable Single Radio Voice Call Continuity (SRVCC) handovers for subscribers availing VoLTE services from a roaming network.	21.5

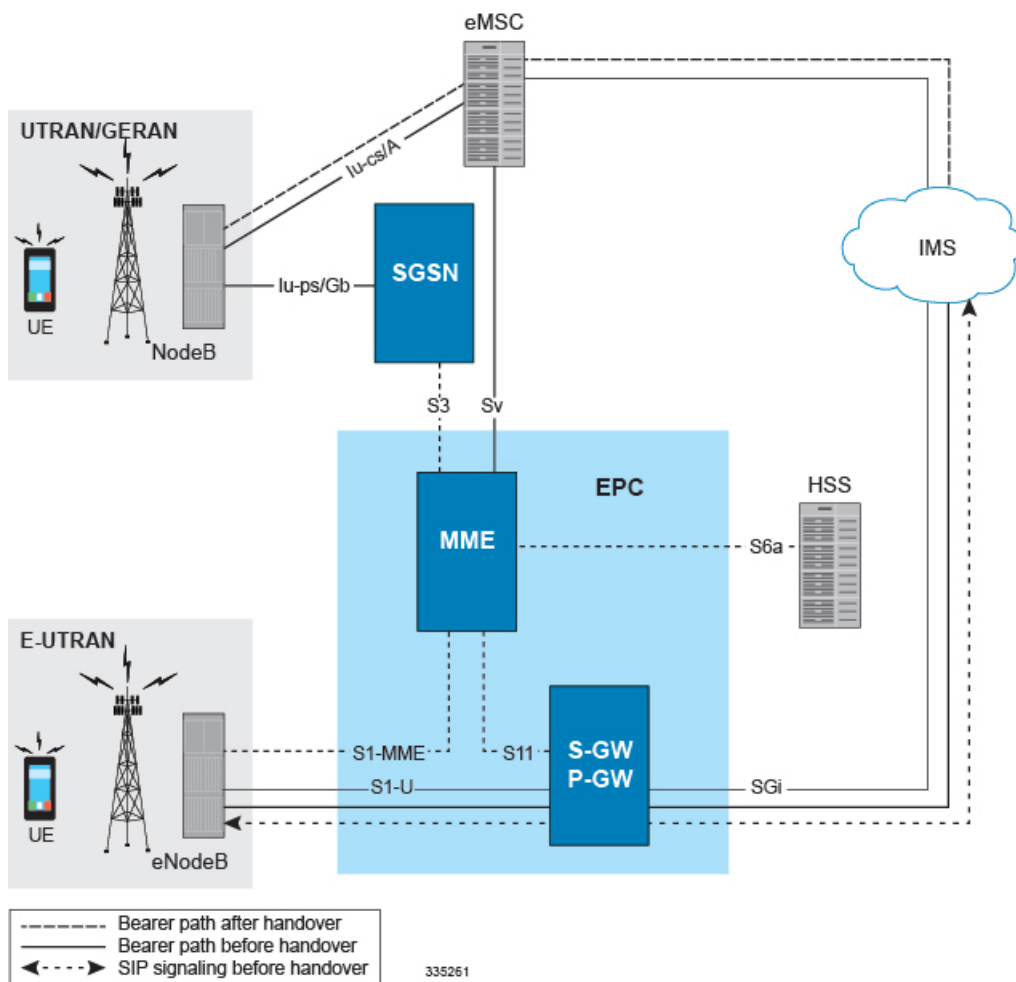
Revision Details	Release
First introduced.	Pre - 21.3

## Feature Description

SRVCC requires that a valid license key be installed. Contact your Cisco Account or Support representative for information on how to obtain a license.

To support SRVCC functionality on the MME, an Sv interface is created to the Mobile Switching Center (MSC) server responsible for communicating with the MME during the handover process.

**Figure 92: SRVCC Architecture**



## Supported SRVCC Features

The MME supports the following SRVCC features:

**SRVCC CS-PS Handover Continuity on PS Handover Failure:** During S1-based CS-PS SRVCC handover, if one of the following types of failures occurs

- Peer SGSN DNS query failed
- Fwd Relocation Response timeout
- Fwd Relocation Response was received with a failure cause

then the handover will continue for CS calls if CS handover on the Sv interface succeeds. This means that the S1 SRVCC handover will continue as partially successful and the handover command message will not carry any bearer related information.

**MSC Selection using DNS:** As defined in 3GPP TS 29.303 V10.4.0, the MME supports DNS-based MSC selection. In the NAPTR query response, the MME will analyze the "Service Parameter" of "x-3gpp-msc:x-sv", and select a specific MSC from a pool list provided in the DNS response. The provisioned weights and priorities on the DNS server are used to load share proportionally between the MSC servers.

If DNS lookup fails, the MSC will be selected from local configuration. If an MSC pool area has been configured, the selection logic for the pool area will be used.

**MSC Pool Areas:** MSC pool areas can be configured for load balancing and intelligent selection of MSC servers based on PLMN and/or IMSI hash values. Up to 24 MSC servers can be defined per MME service. Each pool-area can optionally be associated with a PLMN, which is the target PLMN as specified in the SRVCC Handover request.

The MME attempts to select an MSC using the following selection order: 1) Pool-area that matches the PLMN and of type hash 2) Pool-area that matches the PLMN and of type round-robin 3) Pool-area that does not have PLMN and of type hash 4) Pool-area that does not have PLMN and of type round-robin.

**MSC Offload:** The MME allows an administrator to place one or more MSC server in maintenance mode. This action removes the MSC server as a possible selection target.

**MSC Fallback on Failure:** The MME automatically attempts to resend the Sv PS to CS Request to a different MSC if: 1) no response is received (timeout) from the MSC to a Sv PS to CS Request, or 2) any failure response is received from the MSC to a Sv PS to CS Request.

If no alternate MSC is configured, or if the second MSC fails as well, the SRVCC handover fails. A new MSC is attempted only for the initial PS to CS Request. No additional configuration is needed to enable this functionality.

When an MSC is selected by DNS, and multiple results are returned, the second MSC result will be used for fallback. In case DNS selection returns just one MSC, the second MSC for fallback will be from local configuration if it exists. If DNS lookup fails, the MSC for fallback will be selected from local configuration.

**Disabling MSC Fallback on Failure:** If so configured, the MME rejects handover based on the SRVCC failure cause received from the MSC. So that *in some situations*, the MME will ignore MSC fallback procedures outlined above. If a voice call can be handed over to one of multiple MSC IP addresses during SRVCC handover, and if the PS-CS Response from the first MSC returns with a negative cause, and if that cause has been included in the MME's Call-Control Profile configuration with the **msc-fallback-disable** command, then the MME fails the SRVCC HO and does not try the next available MSC. For configuration details, refer to 'Disabling MSC Fallback Based on SRVCC Cause' in the section on *Configuring an MSC Pool Area*.

**SRVCC Handover Restriction:** MME is enhanced to disable Single Radio Voice Call Continuity (SRVCC) handovers for subscribers availing VoLTE services from a roaming network. The administrator can control SRVCC services for a set of subscribers using IMSI values where the configurable range of the IMSI values is not limited.

A new CLI command **srvcv unauthorized** is added in the Call Control Profile Configuration mode to disable an SRVCC handover for a roaming area network. When this CLI is configured, MME does not send a "SRVCCOperationPossible" IE in the Initial-Context-Setup-Request message to the eNodeB during the ATTACH/TAU Accept phase. As a result, the eNodeB will not trigger an SRVCC handover for that subscriber. If the eNodeB overrides the configuration and sends a handover request with the "SRVCCCHOIndication" IE, the MME responds with a handover failure message to the eNodeB.

Refer to *Configuring SRVCC Handover Restriction* section for the configuration information

**Other Supported SRVCC Features:** The MME implementation of SRVCC also supports:

- IMS Centralized Service call handling as specified in 3GPP TS 29.280, enabling call flow handling for advanced scenarios.
- Emergency Calls as defined in 3GPP TS 29.280.
- GTP echo path management messages as defined in 3GPP TS 29.280.
- GTP-C DSCP marking.

## MSC Fallback on Sv Interface

In Release 20.0, MME is modified to maintain the reachability status of MSCs on the Sv interface. Only reachable MSCs are selected for PS to CS handovers (SRVCC procedures). The MSC Fallback feature is currently applicable only when MSC IP address is statically configured in StarOS, and not when MME determines MSC IP using DNS resolution.

When the MSC Fallback feature is enabled, MME acquires the status information independent of any ongoing SRVCC procedures, from the EGTPMGR. The status of an MSC will be unknown until MME acquires its status by sending ECHO requests to the MSCs. If a response is received from the MSC, the status of the MSC is moved to UP state. If no response is received, the MSC is considered to be in the DOWN state (unreachable).

If the status of an MSC is DOWN, ECHO Requests will be sent to the MSCs based on a configured reconnect-interval value. If an MSC responds to the request within this interval, the status of the MSC is changed to UP state. For more information related to reconnect-interval configuration, please refer to the Configuring MSC Fallback section.

For PS to CS handovers, MME does not select the MSCs in the DOWN state. The status information of the MSC provided by the EGTPMGR helps to select only reachable MSCs. This process reduces latency during fallback to reachable MSCs.

## Relationships to Other Features

If the UE supports circuit-switch fallback (CSFB) and/or IMS voice, or both, the UE shall include the information element "Voice domain preference and UE's usage setting" in Attach Request and Tracking Area Update Request messages. The UE's usage setting indicates whether the UE behaves in a voice centric or data centric way. The voice domain preference for E-UTRAN indicates whether the UE is configured as CS Voice only, CS Voice preferred and IMS PS Voice as secondary, IMS PS Voice preferred and CS Voice as secondary, or IMS PS Voice only. The purpose of this information element is to signal to the network the UE's usage setting and voice domain preference for E-UTRAN.

The UE also includes the SRVCC capability indication as part of the "MS Network Capability" in the Attach Request message and in Tracking Area Updates. This capability needs to be accessed and stored on the MME.



If the UE reflects SRVCC along with IMS voice in the "Voice domain preference" in a Combined Attach, the MME will treat it as a EPS Attach with SRVCC capability.

## How It Works

The existing eGTP-C service is enhanced to support the Sv reference point. A new instance of the eGTP-C service must be configured for Sv messages.

SRVCC requires the following elements:

- SRVCC requires the STN-SR to be sent to the MSC for all non-emergency calls. If the STN-SR is not present in the HSS during the Attach procedure, SRVCC handover will not be allowed for non-emergency calls. In case of situations like STN-SR not being configured for non-emergency calls, the MME will send a HANDOVER PREPARATION FAILURE message back with the cause code set to Handover Failure in Target System.
- MSC Server that has been enhanced for SRVCC.
- UE that has ICS (IMS Service Continuity) capabilities with single radio access. The UE includes the ICS Capability indication as part of the UE network capability in the Attach Request message. The MME stores this information for SRVCC operation.
- IMS network and SCC-AS in which the call is anchored. The MME signals to the UE the presence of VoIMS in the Attach Response

SRVCC is agnostic as to the whether S3 or GnGP is used for the SGSN interface.

## Flows

The following SRVCC call flows are supported:

- SRVCC from E-UTRAN to GERAN without DTM support (TS 23.216 V10.5.0; Section 6.2.2.1).
- SRVCC from E-UTRAN to GERAN with DTM but without DTM HO support and from E-UTRAN to UTRAN without PS HO (TS 23.216 V9.6.0; Section 6.2.2.1A).
- SRVCC from E-UTRAN to UTRAN with PS HO or GERAN with DTM HO support (TS 23.216 V9.6.0; Section 6.2.2.1A).
- Emergency calls for all of the above three SRVCC scenarios

## Standards Compliance

The MME implementation of SRVCC complies with the following standards:

- 3GPP TS 23.216 Single Radio Voice Call Continuity (SRVCC) V10.5.0
- 3GPP TS 29.280 Sv Interface (MME to MSC and SGSN to MSC) for SRVCC V10.4.0
- 3GPP TS 36.413 S1 Application Protocol (S1AP) V10.5.0
- 3GPP TS 29.303 Domain Name System Procedures; Stage 3 V10.4.0

## Configuring Single Radio Voice Call Continuity

- [Configuring SRVCC, on page 896](#)
- [Configuring MSC Selection Using DNS, on page 896](#)

- [Configuring an MSC Pool Area, on page 897](#)
- [MSC Offload, on page 900](#)
- [Verifying the SRVCC Configuration , on page 902](#)

## Configuring SRVCC

Use the following example to configure basic SRVCC support on the MME, including:

- Creating the eGTP-C Sv service and binding it to an IPv4/v6 address.
- Associating the eGTP-C service to the MME service.
- Configuring one or more MSC servers within the MME service.




---

**Important** If you modify the **interface-type** command, the parent service (service within which the eGTP/GTP-U service is configured) will automatically restart. Service restart results in dropping of active calls associated with the parent service.

---

```
configure
context mme_context_name
  interface sv_intf_name
    ip address ipv4_address
  exit
  egtp-service egtpc_sv_service_name
    interface-type interface-mme
    gtpc bind ipv4-address sv_infc_ip_address
  exit
  mme-service mme_service_name
    associate egtp-sv-service egtp_sv_service_name
    msc name msc_name ip-address ip_address
  exit
exit
port ethernet slot_number/port_number
  no shutdown
  bind interface sv_intf_name mme_context_name
end
```

Notes:

- The **gtpc bind** command can be specified as an IPv6 address using the **ipv4-address** or **ipv6-address** keyword or both. The **interface** specified for Sv communication must also be the same IP address type.

## Configuring MSC Selection Using DNS

DNS based MSC selection can be defined for an MME service, or for a Call Control Profile. Both configuration options specify the context in which a DNS client configuration has been defined.

Refer to *Configuring Dynamic Peer Selection* in the *MME Configuration* chapter of this document for details on configuring the DNS client.

Configuration via Call Control Profile takes precedence in cases where both options are configured.

MSC selection using DNS take precedence over MSC pool-areas and locally configured MSCs.

To configure DNS selection of an MSC for a specific MME service, refer to the following example:

```
configure
context ctxt_name
  mme-service service_name
    dns msc context <ctxt_name>
  end
```

To configure DNS selection of an MSC based on a Call Control Profile, refer to the following example.

```
configure
call-control-profile profile_name
  dns-msc context ctxt_name
end
```

Notes:

- Configuration via Call Control Profile takes precedence if DNS is configured via both mme-service and call control profile.

To define an MSC server that should be selected by DNS, the **msc** command must be used without the **ip-address** keyword, as follows

```
configure
context ctxt_name
  mme-service mme_service_name
    msc name msc_name
  end
```

## Configuring an MSC Pool Area

In order to support pooling, multiple MSC servers and pool-areas for Sv interface are allowed to be configured within the MME service. A maximum of 24 MSC servers can be configured for a given MME Service. Each MME Service can also have a maximum of 24 pool areas. Each pool-area can have a maximum of 24 MSC's.

The pool can be either based on IMSI hash or a round-robin scheme. In the IMSI hash scheme, an MSC is chosen based on the result of the IMSI [(IMSI div 10) modulo 1000]. In case of round-robin, the MME selects the next MSC based on the round-robin scheme.

Each pool-area is associated with a unique name. Within a pool-area of type hash, up to 24 hash-values can be defined. Pool-area of type round-robin can have up to 24 entries.

Each pool-area can be associated with a PLMN which is the target PLMN as specified in the SRVCC Handover request.

MME attempts to select a MSC using the following selection order: 1) Pool-area that matches the PLMN and of type hash 2) Pool-area that matches the PLMN and of type round-robin 3) Pool-area that does not have PLMN and of type hash 4) Pool-area that does not have PLMN and of type round-robin

## IMSI Hash MSC Pool

Use the following example to configure an MSC server pool with a selection scheme based on the IMSI hash value.

```
configure
  context ctxt_name
    mme-service service_name
      pool-area pool_area_name type hash-value
        hash-value { hash_value | range start_value to end_value } use-msc msc_id

        plmnid mcc code mnc code
      end
```

Notes:

- The **pool-area** command creates a Mobile Switching Center (MSC) server pool area and defines that the MSC servers be selected from within the pool using the result of the IMSI (using the **hash-value** keyword).
- The optional **plmnid** command associates a Public Land Mobile Network (PLMN) identifier with this Mobile Switching Center (MSC) pool area. This is used to select an MSC based on the target PLMN as specified in the SRVCC handover request. If a pool does not have any PLMN id associated with it, the pool area is assumed to be able to serve any PLMN.

If this command is used, the PLMN id values specified must be unique within a given MSC pool area type. For example, multiple pool areas of type hash cannot use the same PLMN. However, you can configure one pool area of type hash and another of type round-robin and have both use the same PLMN id.

- The **hash-value** command configures the selection of a Mobile Switching Center (MSC) server in a MSC pool area based on the hash value derived from the IMSI [(IMSI div 10) modulo 1000].

The **use-msc** keyword associates an MSC to use for this hash value, where *msc\_name* is the name of the MSC as previously configured in the MME service using the **msc** command. A maximum of 24 MSCs can be defined per pool area.

- See the *MME MSC Server Pool Area Configuration Mode* chapter of the *Command Line Interface Reference* for more information.

## Round-Robin MSC Pool

Use the following example to configure an MSC server pool with a round-robin selection scheme.

```
configure
  context ctxt_name
    mme-service service_name
      pool-area pool-area-name type round-robin
        plmnid mcc code mnc code
        use-msc msc_id
      end
```

Notes:

- The **pool-area** command creates a Mobile Switching Center (MSC) server pool area and defines that the MSC servers be selected from within the pool using a round-robin scheme (using the **round-robin** keyword).

- The optional **plmnid** command associates a Public Land Mobile Network (PLMN) identifier with this Mobile Switching Center (MSC) pool area. This is used to select an MSC based on the target PLMN as specified in the SRVCC handover request. If a pool does not have any PLMN id associated with it, the pool area is assumed to be able to serve any PLMN.

If this command is used, the PLMN id values specified must be unique within a given MSC pool area type. For example, multiple pool areas of type hash cannot use the same PLMN. However, you can configure one pool area of type hash and another of type round-robin and have both use the same PLMN id.

- The **use-msc** command associates an MSC with this pool area, where *msc\_name* is the name of the MSC as previously configured in the MME service using the **msc** command. A maximum of 24 MSCs can be defined per pool area.
- See the *MME MSC Server Pool Area Configuration Mode* chapter of the *Command Line Interface Reference* for more information.

## Configuring MSC Fallback on Sv Interface

This section describes the configuration to enable the MSC Fallback feature.

To enable the MSC Fallback feature, the echo parameters should be configured under the MME Service Configuration Mode.

The MSC Fallback feature is license controlled. Contact your Cisco Account or Support representative for information on how to obtain a license.

To configure the echo parameters use the following configuration:

```
configure
context context_name
  mme-service service_name
    [ no ] msc-echo-params interval echo_interval retransmission-timeout
timer_value max-retransmission number_of_retries reconnect-interval interval_value
end
```

Notes:

- By default, the MSC Fallback feature is disabled.
- **msc-echo-params** configures EGTPC echo parameters for MSC Fallback. The **msc-echo-params** configuration overrides any echo parameter configured in the **egtp-service** configuration for the corresponding SV service.
- **interval** is used to configure the time interval to send echo requests to an MSC. The interval ranges from 2 to 3600 seconds.
- **retransmission-timeout** configures the echo retransmission timeout in seconds. The timer value ranges from 1 to 20 seconds.
- **max-retransmission** configures the maximum number of echo retransmissions. The number of retransmissions is an integer from 0 to 15.
- **reconnect-interval** configures the echo interval to be used once an MSC is detected to be unreachable. The time interval ranges from 60 to 86400 seconds.
- Retransmission of ECHO requests is not applicable during the reconnect interval.

## Disabling MSC Fallback Based on SRVCC Cause

By default, the MME supports MSC Fallback on Failure -- as explained in the section under *Supported SRVCC Features*. With the following configuration, the operator can selectively disable MSC fallback on failure during voice call handover.

The selection process is based on the SRVCC cause codes configured in the call-control profile. If there is a match with the MSC failure cause received in the PS-CS Response from the first MSC, then the MME fails the SRVCC HO and does not try the next available MSC.

```
configure
  call-control-profile profile_name
    msc-fallback-disable srvcc-cause cause
  end
```

Notes:

- **srvcc-cause**: Use this keyword to define a single SRVCC cause code. The *cause* must be any integer from 0 to 255, as defined in 3GPP TS 29.280.
- Repeat the command as needed to define additional SRVCC cause codes in the call-control profile.
- This command is only applicable for PS-CS Requests and not for PS to CS complete messages.

## MSC Offload

The MME allows an administrator to place one or more MSC server in maintenance mode. This action removes the MSC server as a possible selection target.

To offload an MSC, use the **offline** keyword at the end of the **msc** configuration command.

When the configuration is changed back to **online**, the MSC will be added back as a selection target and normal operation is returned.

```
configure
  context <ctxt_name>
    mme-service <service_name>
      msc name [ ip-address address ] [ offline | online ]
    end
```

Notes:

- No actual GTPv2 messages are generated when the configuration is changed to offline. The MSC is only removed as a selection target for future load sharing.

## HSS Purge After SRVCC Handoff

The MME supports an optional configuration capability to perform the Purge UE procedure to the HSS for UEs which support Dual Transfer Mode (DTM). This feature is configurable via the CLI and is disabled by default. If configured, the MME initiates an HSS Purge after the following two SRVCC HO scenarios:

- For SRVCC Handoff with PS Handoff support, the Purge S6a message is sent immediately after successful completion of the Handoff. For this scenario, the configurable purge timer is not used.

- For SRVCC Handoff without PS Handoff support, a configurable timer is initiated and the Purge S6a message is sent if a SGSN Context Request is received prior to timer expiry. If a Context Failure occurs, no HSS Purge S6a message is sent.

This feature ensures the HSS has a reliable UE status on whether it is currently operating on the LTE network.

The following commands configure the MME to initiate an HSS Purge after the SRVCC HO where the UE supports DTM. It also allows configuration of a purge timeout value in seconds.

```
configure
context ctxt_name
  mme-service service_name
    policy srvcc purge-timer seconds
    [ no ] policy srvcc purge-timer
  end
```

Notes:

- **purge-timer** *seconds*: defines how long in seconds the Purge Timer will run. This is applicable only for SRVCC Handoff without PS Handoff support scenarios.
- For example, if **purge-timer** is set to 20 seconds :

If the Context Transfer happens 10 seconds after SRVCC HO, the MME initiates an HSS Purge.

If the Context Transfer happens 30 seconds after SRVCC HO, the MME will NOT initiate an HSS Purge because the Purge Timer has expired.

## Configuring SRVCC Handover Restriction

Use the following configuration to restrict SRVCC handovers to a roaming network:

```
configure
call-control-profile profile_name
  [ remove ] srvcc unauthorized
end
```

Notes:

- **srvcc**: Configures the basic SRVCC support on the MME.
- **unauthorized**: Restricts the SRVCC handovers for a set of subscribers.
- **remove**: Removes the SRVCC confirmation from the Call Control Profile

## Verifying SRVCC Handover Restriction

```
show call-control-profile full name name
```

The following new field is added to the output of this command to indicate the status of the SRVCC handover restriction:

- When the **srvcc** command is not configured, the output of the command displays the following information:  
SRVCC Service : Authorized
- When the **srvcc** command is configured, the output of the command displays the following information:

```
SRVCC Service          : Unauthorized
```

## Verifying the SRVCC Configuration

The following command displays the MSC servers configured in the specified MME service:

```
show mme-service name service_name
```

In the following example output:

- **msc1**, **msc2**, and **msc3** are configured with an IPv4 address.
- **msc3** is currently configured for MSC offload (offline).

```
SCTP Alternate Accept Flag      : Enabled
MSC                             : msc1  10.10.1.1
MSC                             : msc2  10.10.1.2
MSC                             : msc3  10.10.1.3  Offline
```

The same command displays the context in which the DNS client configuration has been defined for the specified MME Service for DNS based MSC selection.

```
SGW DNS Context                : Not defined
MSC DNS Context                : ingress
```

The following command displays the context in which the DNS client configuration has been defined for the specified Call Control Profile for DNS based MSC selection:

```
show call-control-profile full name profile_name
DNS MSC Context                : ingress
```

## Monitoring and Troubleshooting SRVCC

### SRVCC Show Command(s) and/or Outputs

This section provides information regarding show commands and/or their outputs in support of SRVCC.

#### show mme-service all name

On executing the above command the following new fields are displayed:

- MSC Echo Parameters:
  - Interval
  - retransmission-timeout
  - max retransmissions
  - reconnect interval

#### show mme-service msc-status

On executing the **show mme-service msc-status** [ **mme-service-name** *name* | **msc-name** *name* ] command, the following status information is displayed:



```

MSC Status
Name:          msc1
IP:           192.80.80.57
Node Status:   Online
Path State:    up
MME Service Name: mmesvc
Static/DNS IP: Static

```

**Note**

- When the MSC Fallback Feature is enabled, that is, when msc-echo-params is configured, the possible Path State values indicated are - Up, Down, and Unknown.
- The Path State will indicate 'NA' if msc-echo-params is not configured or if the node is made "offline" using suitable commands.
- New trace level logging event-id(s):
  - 147151 has been added in the MME-APP facility to monitor reachability status of the MSC, when the status changes.
  - 141120 to 141123 has been added for EGTPC layer debugging.
  - 143802 to 143815 for has been added for EGTPMGR layer debugging.

## show mme-service statistics

This command displays SRVCC statistics for CS handovers with no Dual Transfer Mode (DTM), CS-only transfers, and CS and PS transfers.

```

EUTRAN-> UTRAN/GERAN using Sv Interface:
  CS only handover with no DTM support:
    Attempted:          0 Success:          0
    Failures:           0
  CS only handover:
    Attempted:          0 Success:          0
    Failures:           0
  CS and PS handover:
    Attempted:          0 Success:          0
    Failures:           0

```

## show egtpc statistics

This command displays EGTPC Sv interface statistics statistics for CS handovers with no Dual Transfer Mode (DTM), CS-only transfers, and CS and PS transfers.

```

SRVCC Messages:
PS to CS Request:
  Total TX:            0
  Initial TX:          0
  Retrans TX:          0
  Discarded:           0
  No Rsp Rcvd:         0
PS to CS Response:
  Total RX:            0
  Initial RX:          0
  Accepted:            0
  Denied:              0
  Discarded:           0

```

```

PS to CS Complete Notification:
  Total  RX: 0
  Initial RX: 0
  Retrans RX: 0
  Discarded: 0
PS to CS Complete Acknowledge:
  Total  TX: 0
  Initial TX: 0
  Accepted: 0
  Denied: 0
  Retrans TX: 0
  Discarded: 0
PS to CS Cancel Notification:
  Total  TX: 0
  Initial TX: 0
  Retrans TX: 0
  Discarded: 0
  No Rsp Rcvd: 0
PS to CS Cancel Acknowledge:
  Total  RX: 0
  Initial RX: 0
  Accepted: 0
  Denied: 0
  Discarded: 0

```

## SRVCC Bulk Statistics

### eGTP-C Schema

The following statistics are included in the eGTP-C Schema in support of SRVCC:

For descriptions of these variables, see "eGTP-C Schema Statistics" in the *Statistics and Counters Reference*.

- srvcc-sent-pstocsreq
- srvcc-sent-retranspstocsreq
- srvcc-recv-pstocsrsp
- srvcc-recv-pstocsrspDiscard
- srvcc-recv-pstocsrspaccept
- srvcc-recv-pstocsrspdenied
- srvcc-recv-pstocscmpnotif
- srvcc-recv-pstocscmpnotifDiscard
- srvcc-recv-retranspstocscmpnotif
- srvcc-sent-pstocscmpack
- srvcc-sent-retranspstocscmpack
- srvcc-sent-pstocscmpackaccept
- srvcc-sent-pstocscmpackdenied
- srvcc-sent-pstocscancelnotif
- srvcc-sent-retranspstocscancelnotif
- srvcc-recv-pstocscancelack
- srvcc-recv-pstocscancelackDiscard
- srvcc-recv-pstocscancelackaccept
- srvcc-recv-pstocscancelackdenied

## MME Schema

The following statistics are included in the MME Schema in support of SRVCC:

For descriptions of these variables, see "MME Schema Statistics" in the *Statistics and Counters Reference*.

- s1-ho-4gto3g-cs-nodtm-sv-attempted
- s1-ho-4gto3g-cs-nodtm-sv-success
- s1-ho-4gto3g-cs-nodtm-sv-failures
- s1-ho-4gto3g-cs-sv-attempted
- s1-ho-4gto3g-cs-sv-success
- s1-ho-4gto3g-cs-sv-failures
- s1-ho-4gto3g-csps-sv-attempted
- s1-ho-4gto3g-csps-sv-success
- s1-ho-4gto3g-csps-sv-failures





# CHAPTER 98

## Skip APN Redirection for IMS APN

- [Feature Summary and Revision History, on page 907](#)
- [Feature Description, on page 908](#)
- [Configuring Skip APN Redirection for IMS APN, on page 908](#)
- [Monitoring and Troubleshooting, on page 908](#)

### Feature Summary and Revision History

#### Summary Data

Applicable Product(s) or Functional Area	MME
Applicable Platform(s)	<ul style="list-style-type: none"> <li>• ASR 5500</li> <li>• VPC-DI</li> <li>• VPC-SI</li> </ul>
Default Setting	Enabled - Always on
Related Changes in This Release	Not Applicable
Related Documentation	<ul style="list-style-type: none"> <li>• <i>Command Line Interface Reference</i></li> <li>• <i>MME Administration Guide</i></li> </ul>

#### Revision History

Revision Details	Release
First introduced.	21.16

## Feature Description

with release 21.16, when IMS APN is not available under subscription information, MME will not redirect it to the APN available under first in subscription/lowest context id, instead the PDN CONNECTIVITY REQUEST is rejected with cause code 27(Unknown or Missing APN). This feature is CLI controlled, and it is disabled by default.

## Configuring Skip APN Redirection for IMS APN

This section provides information on the CLI commands to configure Configuring Skip APN Redirection for IMS APN the in MME.

### Configuring Subscription Failure

Use the following configuration to configure Subscription Failure.

```
configure
  apn-remap-table apn_remap_table_name
    apn-remap network-identifier network_identifier_name new-ni new_ni_name
  subscription-failure reject
    no apn-remap network-identifier network_identifier_name
  end
```

#### NOTES:

- **no:** Removes the apn-remap network identifier.
- **apn-remap:** Creates a Remap Entry.
- **network-identifier** *network\_identifier\_name*: Specifies the Network Identifier part of the APN. *network\_identifier\_name* must be a string of size 1 to 63 that include alphabetic characters (A-Z and a-z), one \*, and digits.
- **new-ni** *new\_ni\_name*: Specifies the Remapped Network Identifier part of the APN. *new\_ni\_name* must be a string of size 1 to 62 that include alphabetic characters (A-Z and a-z), digits.
- **subscription-failure:** Subscription failure for requested APN.
- **reject:** Specifies the rejection with cause code Unknown or Missing APN.

## Monitoring and Troubleshooting

This section provides information regarding show commands available to monitor and troubleshoot the Skip APN Redirection for IMS APN.

## Show Commands and Outputs

### **show apn-remap-table full all**

The output of this command includes the following fields:

- Do not Redirect if Subscription is not available - Indicates "Do not Redirect if Subscription" is enabled or disabled.







## CHAPTER 99

# Handling Call Drop in Smart Watch and Multi-SIM Devices

- [Feature Summary and Revision History, on page 911](#)
- [Feature Description, on page 912](#)
- [Configuring Call Drop Handling in Smart Watch and Multi-SIM Devices, on page 912](#)
- [Monitoring and Troubleshooting, on page 912](#)

## Feature Summary and Revision History

### Summary Data

Applicable Product(s) or Functional Area	MME
Applicable Platform(s)	<ul style="list-style-type: none"><li>• ASR 5500</li><li>• VPC-DI</li><li>• VPC-SI</li></ul>
Default Setting	Disabled - Configuration Required
Related Changes in This Release	Not Applicable
Related Documentation	<ul style="list-style-type: none"><li>• <i>Command Line Interface Reference</i></li><li>• <i>MME Administration Guide</i></li></ul>

### Revision History

Revision Details	Release
Enhanced Feature Description	21.17.6
First introduced.	21.16

## Feature Description

When the user manually switches the VoLTE option from “Data + Voice” to “4G Data Only”, it triggers the handset to detach and re-attach again instead of the standard Tracking Area Update (TAU) this resulted in Mobile Terminated (MT) call failure on a VoLTE capable handset that was IMS VoPS domain registered.

In the subsequent Attach Request the combination of “MS Network Capability”, “Voice Domain Preference and UE's Usage Setting” (that is “SRVCC from UTRAN HSPA or E-UTRAN to GERAN/UTRAN supported”, and “CS Voice Only”), in conjunction with IMS VoPS which is already configured as “Supported”, causes the current MME functionality to return IMS VoPS to “Supported” in all relevant NAS and HSS Diameter based message responses.

By returning IMS VoPS “Supported” back to the HSS (in this case via the Insert Subscriber Data Answer message) resulted in the handset failing the MT forked call, as it did not initiate a PDN connectivity request for the IMS APN.

To overcome this issue, a new configuration feature has been implemented which (when enabled in conjunction with IMS VoPS set to “Supported”) ensures the IMS VoPS settings are returned as “Not Supported”, in all subsequent NAS and diameter based messages, if the Attach or TAU request “Voice Domain Preference and UE's Usage Setting” is “CS Voice Only”.

## Configuring Call Drop Handling in Smart Watch and Multi-SIM Devices

This section describes how to configure this feature.

### Enabling Multi-SIM

Use the following configuration to enable Multi-SIM customization feature.

```
configure
  call-control-profile call_control_profile_name
    network-feature-support-ie ims-voice-over-ps supported
  srvc-ue-with-voice-domain-pref
    remove network-feature-support-ie
  end
```

#### NOTES:

- **srvc-ue-with-voice-domain-pref:** The MME sets IMS VoPS flag based on the voice-over domain preference and unsets VoPS in the case of CS voice only.
- **remove:** Removes the configuration.

## Monitoring and Troubleshooting

This section provides information regarding show commands available to monitor and troubleshoot this feature.

## Show Commands and Outputs

```
show call-control-profile full name <profile_name>
```

The output of this command includes the following fields:

- Network Feature Support
- IMS Voice Over PS





## CHAPTER 100

# SRVCC for 1xRTT

The MME supports single radio voice call continuity (SRVCC) for CDMA2000 1x (single-carrier) radio transmission technology (1x-RTT) networks.

- [Feature Description, on page 915](#)
- [How It Works, on page 916](#)
- [Configuring SRVCC for 1xRTT, on page 920](#)
- [Monitoring and Troubleshooting the SRVCC for 1xRTT, on page 924](#)

## Feature Description

### Overview

SRVCC functionality is required within VoLTE systems to enable the packet domain calls received in LTE to be handed over to a legacy circuit-switched (CS) voice system, such as CDMA2000 1xRTT. SRVCC for 1xRTT, also referred to as enhanced SRVCC, enables the MME to move a VoLTE UE between an LTE and a 1xRTT network with smooth, seamless handovers. The MME acts as a relay agent to ensure CDMA2000 messages received from the UE are delivered to the interworking solution function (for 3GPP2, 1xCS IWS) associated with the mobile switching center (1x RTT MSC) (or vice-versa) through the S1-AP and S102 interfaces.

By using the MME's SRVCC for 1xRTT capabilities, the operator performs handovers while maintaining existing quality of service (QoS) and ensuring call continuity that meets the critical requirements for emergency calls.

This feature is license-controlled and the commands to configure and manage the feature interfaces require a feature license key. Speak with your Cisco Representative for information about this license. For information about the commands and their use, refer to the *Configuring SRVCC for 1xRTT* section later in this chapter.

### Supported Features

The MME provides the following features in support of SRVCC for 1xRTT functionality:

**MSC Pool Areas:** Multiple MSCs would be handled by pooling all the MSCs mapping to a particular cell for load distribution. MSC pool areas can be configured for load balancing and intelligent selection of MSC servers based on IMSI hash values. Up to 10 MSC servers can be defined per S102 service.

**MSC Non-Pool Areas:** MSC selection, based on local MSC configuration.

**MSC Selection:** If an MSC pool area has been configured, the selection logic for the pool area is based on the CDMA2000 sector cell ID (includes the MSC ID and the Cell ID) in the CDMA2000 1xRTT network

Both the MSC ID and the cell ID are used to locate the pool / non-pool area. The MME attempts to select an MSC using the following selection order:

1. The MME attempts to match the MSC ID and the Cell ID:
  - If the match is found in the non-pool area configuration, then the configured MSC is selected.
  - If the match is found in the pool area configuration,
    - then IMSI hashing is used to select the MSC.
    - if no hash corresponds, then the MSC selected is the one configured for the 'non-configured-values'.
2. If no MSC is found, a failure message is returned.




---

**Important** When the UE attaches with IMEI, the MSC configured for the non-pool area is always selected because IMSI hashing cannot be performed for that UE.

---

## Relationships to Other Features

SRVCC for 1xRTT is related to the CSFB for 1xRTT feature. Each requires a separate license to take advantage of the separate functionality and use the configuration commands.

If licenses for both features are installed in the system and both features are configured, then the MME can use the S102 interface for both CSFB for 1xRTT and SRVCC for 1xRTT.

1xRTT SRVCC and 1xRTT CSFB calls will be decided based on the presence or absence of the CDMA2000 1xRTT SRVCC Info IEs in an Uplink S1 CDMA2000 Tunneling message. This IE should not present for a 1xRTT CSFB call. If only one feature is licensed and configured and if the above condition is not appropriately satisfied for any received call, then that call will be dropped.

The CSFB for 1xRTT feature is described elsewhere in this administration guide.

## How It Works

### Functional Overview

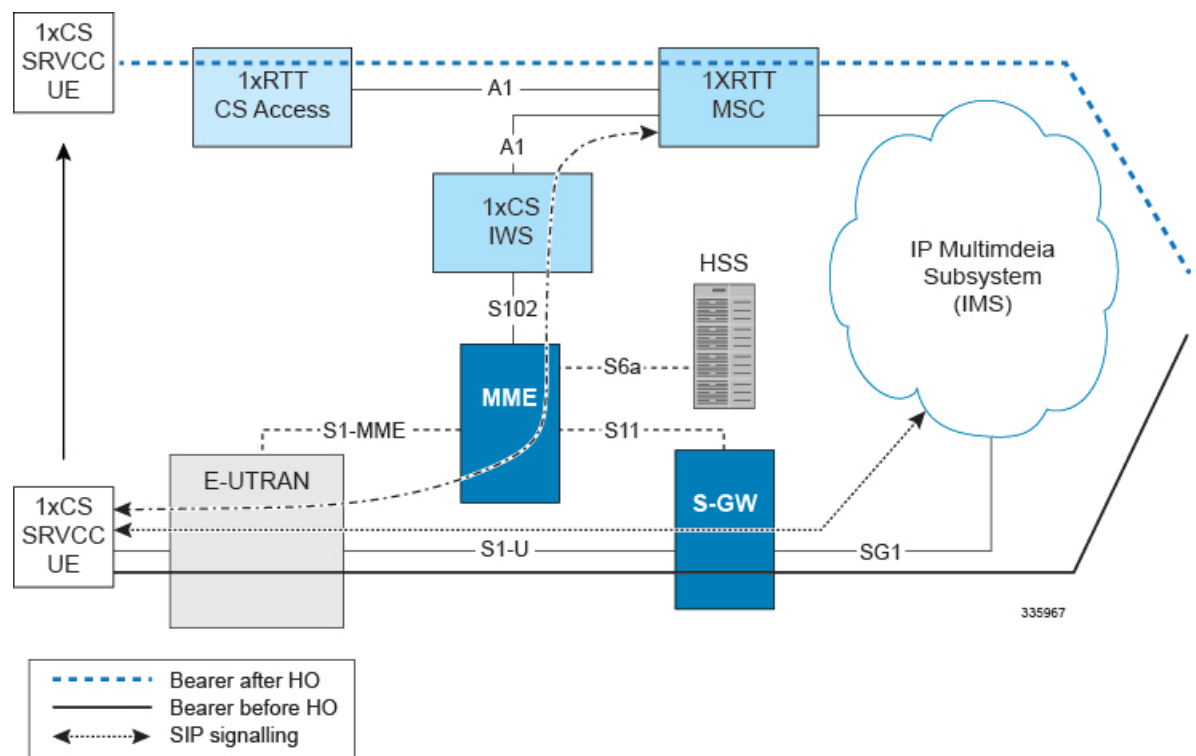
The call originating from the UE, and anchored as part of the voice-call continuity, is part of a bidirectional process. The MME communicates with the 1xCS IWS (a circuit-switched fallback interworking solution function for 3GPP2 1xCS) to enable a single radio UE (an eSRVCC-enabled UE) to communicate in parallel with both the source system and the target system.

- On the originating source side, the 1xCS signaling messages are tunneled from the UE across the E-UTRAN to the MME.
- Moving from the originating side to the target side, the messages tunnel from the MME through the S102 interface via the A21 protocol to reach the 1xCS IWS at the target side.

- At the target side, from the 1xCS IWS, the messages tunnel through the A1 interface to the 1xRTT MSC. From the MSC, signaling moves towards the VLR/HLR for registration and authorization, if needed, or towards call setup procedures.

## Architecture

Figure 93: MME's Architecture for SRVCC for 1xRCC



## Flows

SRVCC for 1xRTT complies with the following call flows procedures as defined by 3GPP TS 23.216, Release 10:

- **E-UTRAN Attach Procedure:**

- An SRVCC UE includes the SRVCC capability indication as part of the 'UE Network Capability' in the EPS Attach Request.
- The MME includes an 'SRVCC Operation Possible' indication in the S1-AP Initial Context Setup Request.
- The request is followed by eSRVCC HO, with eNB sending an Uplink CDMA2000 message with 1xSRVCC Info IE on S1-AP.
- The MME copies the contents transparently and sends an A21 Air Interface message towards 1xIWS.
- MEID is sent as IMSI towards the MSC.

- **PS Handover (S1-based):**

- The target MME includes an 'SRVCC Operation Possible' indication in the S1-AP Handover Request message. This indicates that both the UE and the target MME are SRVCC-capable.
- If the S1-HO is successful, then the Request message is followed by an Uplink CDMA2000 message with 1xSRVCC Information from the target eNB.
- If an MME change is required, the a Forward Relocation Request is sent towards the target MME with the UE Network capability, inside the MM Context message, indicating 1xSRVCC support.
- **PS Handover (X2-based):** The source eNodeB includes an 'SRVCC Operation Possible' indication in the X2-AP Handover Request message to the target eNodeB.




---

**Important**

The MME is not participate in carrying the SRVCC information in the X2-based PS Handover. This is a direct eNB-to-eNB transfer.

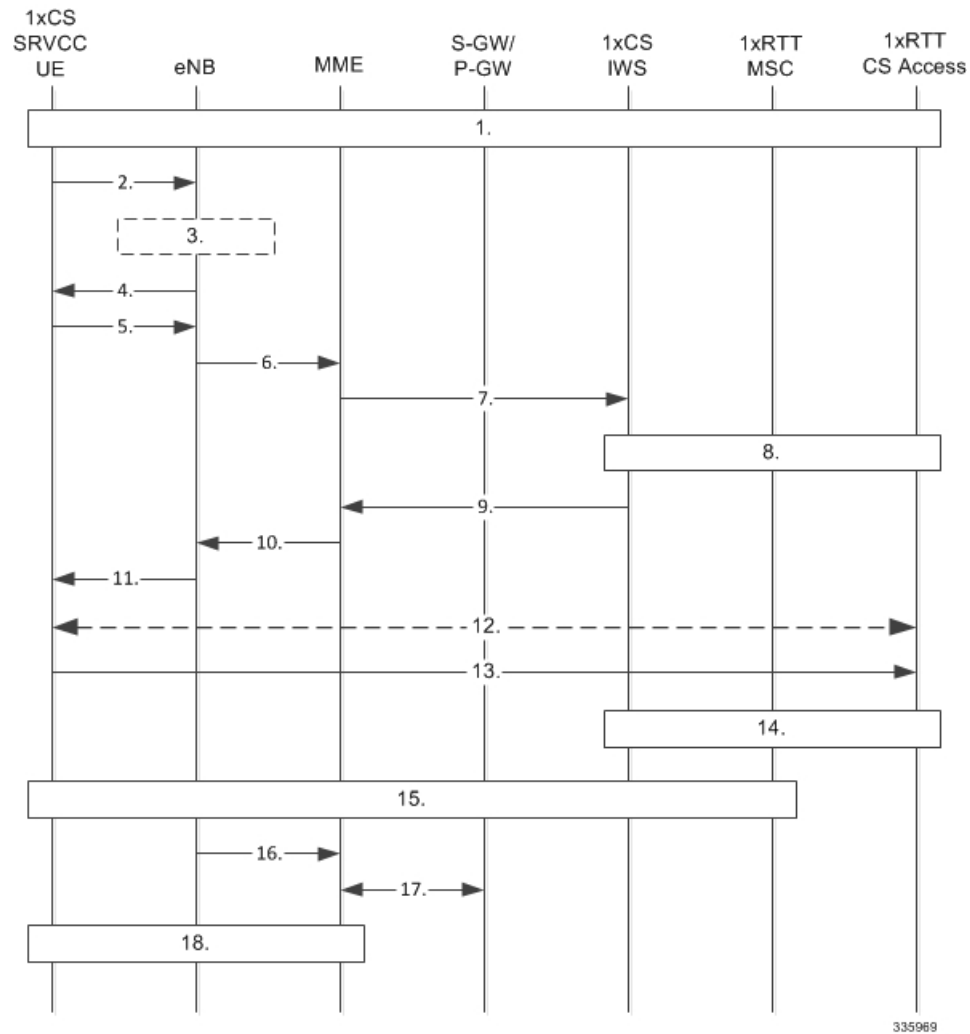
---

- **Service Request Procedure:** The MME includes an 'SRVCC Operation Possible' indication in the S1-AP Initial Context Setup Request during the Service Request Procedure.
- **E-UTRAN Emergency Attach Procedure:**
  - The SRVCC UE includes the SRVCC capability indication as part of the 'UE Network Capability' in the Emergency Attach Request with IMEI/IMSI as the identity.
  - The MME includes an 'SRVCC Operation Possible' indication in the S1-AP Initial Context Setup Request.
  - The request is followed by eSRVCC HO, with the NB sending an Uplink CDMA2000 message with the 1xSRVCC Info IE on S1-AP.
  - The MME copies the contents transparently and sends an A21 Air Interface message towards the 1xIWS.
  - MEID is sent as IMEI/IMSI towards the MSC.



## Typical SRVCC Call Flow

Figure 94: SRVCC Call Flow



The following notes on the flow definition are derived from section 6 of the 3GPP spec and for details we recommend you refer to TS 23.216:

1. ongoing VoIP session over the IMS access leg established over E-UTRAN access
2. measurement reports to eNB
3. determination to handover
4. E-UTRAN signals handover to UE handover
5. UE sends UL Handover Preparation Transfer message containing 1xRTT origination message (if appropriate, includes Request-Type = 'emergency handover' and the MEID (e.g. IMEI))
6. MME notified handover preparation has started - Uplink S1 CDMA2000 Tunneling (RAT Type, Sector ID, RAND, PDU, 1x Origination and 1xSRVCC Info IE containing MEID and mobile subscription information) message to the MME.S102 Direct Transfer message (1x Air Interface Signaling (origination))
7. S102 Direct Transfer message (1x Air interface Signaling (origination))
8. 1x traffic assignment / handoff initiation

9. S102 Direct Transfer (1x Air interface Signaling (handoff direction))
10. DL CDMA2000 Tunneling message (handoff direction)
11. Mobility from EUTRA command (handoff direction)
12. 1x radio interface procedures to acquire traffic channel
13. 1x handoff completion message
14. 1x handoff completed
15. ongoing voice call over the CS access leg established over 1xRTT access
16. S1 UE Context Release Request with release cause 'Redirect towards 1xRTT'.
17. Suspend Request / Ack
18. S1 UE Context Release

## Limitations

Step 19 of the SRVCC Call Flow procedure (outlined above), as defined by TS 23.216, provides a Subscriber Location Report to the GMLC. This function is currently not supported by the MME.

## Standards Compliance

The MME's SRVCC for 1xRTT complies with the following standards:

- A21 Interface spec A.S0009-C
- 3GPP TS 36.413, Release 10
- 3GPP TS 24.301, Release 10
- 3GPP TS 29.274, Release 10
- 3GPP TS 23.272, Release 10
- 3GPP TS 23.216, Release 10

## Configuring SRVCC for 1xRTT

If you have the appropriate license, you will be able to see and configure the commands identified below to

- setup an S102 service for the use of an S102 interface.
- associate the S102 service configuration with the MME service.
- configure MSC selection.

All three sets of configuration must be completed for this feature to function.



### Important

For more details on commands and keywords indicated below, we recommend that you refer to the *Command Line Interface Reference, StarOS Release 19* or higher.

## Configuring the S102 Service

This configuration enables you to define the characteristics for a specific S102 interface as an S102 service instance, including:

- configuring the interface to work with SRVCC for the 1xRTT CDMA2000 messaging.

- binding or unbinding a logical IPv4 address and ports to the S102 service.
- configuring an IPv4 address and ports for the IWS/MSC in the S102 service configuration.

```

config
  context context_name
    [ no ] s102-service service_name
      [ no ] 1xRTT srvcc
      [ no ] bind ipv4-address ipv4_address port port_number
      [ no ] msc msc_name
        [ no ] ipv4-address ipv4_address port port_number
        exit
      [ no ] msc msc_name
        [ no ] ipv4-address ipv4_address port port_number
        exit
    end

```

Notes:

- *context\_name* enter a string of 1 to 79 alphanumeric characters to define the name of the context in which the S102 service is configured. You can configure the S102 service in the same context in which the associated MME service is configured.
- *service\_name* enter a string of 1 to 63 alphanumeric characters to define the name. We recommend that each service name be unique on this MME.
- The MME supports configuration of an undefined number of S102 services (interfaces). As there is a 1-to-1 correlation between S102 service configurations and MME services, the only limiting factor is the maximum number of MME services that can be configured per system maximum number is 8.
- **1xrtt** configures the S102 interface to provide either SRVCC or CSFB capabilities for the 1xRTT CDMA2000 network. The **1xrtt** command can be repeated so that a single S102 interface provides both CSFB and SRVCC functionality.
- **bind ipv4-address** *ipv4\_address* **port** *port\_number* binds the S102 interface to the specified source (MME) IPv4 interface address, and optionally to a specific port number if the port option is included. The value for the IPv4 address must be entered in standard IPv4 dotted-decimal notation and, if included, the port number must be an integer from 1 to 65535.
- **msc** *msc\_name* enter 1 to 63 alphanumeric characters to define a unique name for the MSC. Executing the **msc** command causes the system to enter the S102-MSC configuration mode to define the target IPv4 address (and optionally the port ID). This associates the S102 interface to the specified MSC.
- **ipv4-address** *ipv4\_address* **port** *port\_number* identifies IPv4 interface address of the MSC, and optionally a specific port number if the port option is include. The value for the IPv4 address must be entered in standard IPv4 dotted-decimal notation and, if included, the port number must be an integer from 1 to 65535.
- It is possible to associate up to 10 IWS/MSCs with the S102 interface/service configuration. Repeat the **msc**, **ipv4-address**, and **exit** commands sequence as often as needed to identify all MSCs.
- **no** prefix included with a command, disables and/or erases the specified configuration from the MME's configuration.
- **default** prefix is unused at this time and is available for future development.

## Verify the S102 Service Configuration

Use the **show s102-service name** *s102\_service\_name* command to verify the S102 configuration that you have entered following the steps outlined above. The output will appear *similar* to the following:

```
[local]MMEhost# show s102-service name s102-mme1
Service name      : s102-mme1
Context           : test
Status            : NOT STARTED
1xRTT type        : SRVCC
Bind              : Done
IP Address        : nnn.nnn.nnn.1
Port              : 54321
```

## Associating the S102 Service

Use the following to add an association between a previously configured MME service and an S102 service.

```
config
  context context_name
    mme-service mme_service_name
      associate s102-service s102_service_name [ context context_name ]
    end
```

Notes:

- **context** *context\_name* : enter a string of 1 to 79 alphanumeric characters to identify the name of the context in which the S102 service is configured. We recommend that you identify the context if it is not the same one in which the associated MME service is configured.

## Verifying the S102 Association

Use the **show mme-service name** *mme\_service\_name* command to verify the S102 association that you have entered following the steps outlined above. The output will appear *similar* to the following:

```
[local]MME show mme-service name mme1
Service name      : mme1
Context           : test
Status            : NOT STARTED
Bind              : Not Done
. . .
. . .
IPNE Service      : Not defined
S102 Context      : test
S102 Service      : s102-A
Max bearers per MS : 11
. . .
. . .
```

## Configuring MSC Selection

The following process configures up to 10 MSC pool/non-pool areas per S102 service in support of MSC selection. Both the MSC-Id and the Cell-Id are used to locate the pool or non-pool area for the MSC selection process.

**Prerequisite:** Each of the MSCs must have been defined and associated with an S102 service (see *Configuring the S102 Service* noted above) before the MSC can be included in the non-pool-area or pool-area configuration.

## Defining a Non-Pool Area

```
config
  context context_name
  [ no ] s102-service service_name
```



**Important** The **plmn** option that is visible in the code is not supported at this time and is included for future development.

```
non-pool-area non_pool_area_name msc msc_name msc-id msc_id cell-id cell_id
+
no non-pool-area non_pool_area_name cell-id cell_id +
```

Notes:

- **non\_pool\_area\_name** enter a string of 1 to 63 alphanumeric characters to uniquely identify the non-pool-area definition used for MSC selection.
- **msc msc\_name** enter a string of 1 to 63 alphanumeric characters to identify one of the MSCs previously configured in the S102 service configuration.
- **msc-id msc\_id cell-id cell\_id +**
  - **msc\_id** enter an integer from 1 through 16777215 to identify the unique numeric ID for the MSC.
  - **cell\_id +** enter an integer from 1 through 65535 to identify a CDMA2000 sector cell ID that you are assigning to this non-pool area configuration. Enter up to 24 cell IDs, separated by a single blank space, in the same command.
- **plmnid { any | mcc mcc\_id mnc mnc\_id }** is not operationally supported at this time. The code is included for future development.
- **no** prefix included with the command, erases or disables the specified configuration from the MME's configuration.

## Defining a Pool Area

```
config
  context context_name
  s102-service service_name
  [ no ] pool-area pool_area_name
  [ no ] cell-id cell-id cell-id
  [ no ] hash-value { hash_value | non-configured-values | range
lower_hash_value to higher_hash_value } { msc msc_name }
  [ no ] msc-id msc-id
  [ no ] plmnid { any | mcc mcc_id mnc mnc_id }
end
```

Notes:

- **pool-area pool\_area\_name** enter a string of 1 through 63 alphanumeric characters to create a unique name of an MSC pool area configuration. After the command is entered, the system enters the S102-Pool-Area configuration mode.
- **cell-id cell-id [ cell-id + ]** enter an integer from 1 through 65535 to identify a CDMA2000 reference cell ID that you are assigning to this pool area configuration. Enter up to 24 cell IDs, separated by a single blank space, in the same command.
- **hash-value**

- *hash\_value* enter an integer from 0 through 999 to identify a specific MSC.
- **non-configured-values** `msc msc_name` assigns all non-configured hash values to use the named MSC.
- **range** `lower_hash_value to higher_hash_value msc msc_name` specifies the range of hash values for an MSC:
  - *lower\_hash\_value* enter an integer from 0 through 999 to identify the start value for a range of hash. The *lower\_hash\_value* must be lower than *higher\_hash\_value*.
  - *higher\_hash\_value* enter an integer from 0 through 999 to identify the end value for a range of hash. The *higher\_hash\_value* must be higher than *lower\_hash\_value*.
- *msc\_id* enter an integer from 1 through 16777215 to identify the unique numeric ID for the MSC.
- **plmnid** { **any** | **mcc** *mcc\_id* **mnc** *mnc\_id* } is not operationally supported at this time. The code is included for future development.
- **no** prefix included with the command, erases the specified configuration from the MME's configuration.

## Verifying Pool and Non-Pool Area Configuration

Use the **show configuration** command to view the S102 pool area and S102 non-pool area configuration. It should appear similar to the following:

```
[local]MME# show configuration
...
s102-service s102test
  bind ipv4-address 209.165.200.225 port 54321
  lxrtd srvcc
  msc msc1
    ipv4-address nn2.nn2.nn2.2 port 33333
  exit
  msc msc10
    ipv4-address nn1.nn2.nn1.2 port 23272
  exit
  pool-area poolone
    cell-id 2 4 5
    hash-value 34 msc msc10
  exit
  non-pool-area np1 msc msc1 msc-id 1233 cell-id 223
  non-pool-area np3 msc msc1 msc-id 14441 cell-id 6 7 8
```

# Monitoring and Troubleshooting the SRVCC for 1xRTT

## Monitoring Protocol

When using the monitor protocol command, enable option 86 to see all A21 messages.

## Show Command(s) and/or Outputs

**show s102-service statistics name *s102\_service\_name***

The command noted above generates statistical output indicating the status and activity of the interface. The output generated will appear similar to the following:

```

S102-AP Statistics:
  S102-AP Data:
    A21-1x Air Interface Signaling message    Tx   ReTx  Rx
    A21-Ack message                          0     0    0
  Unknown MSG                                0     0    0
Error Statistics:
  Encoding Errors:                          0
  Mismatch in Correlations:                  0
  Decoding Errors:                          0
  Missing Mandatory IEs:                    0
  Syntax Errors:                            0
  Misc Errors:                              0

```

## Bulk Statistics

Bulk statistics are described in the *Statistics and Counters Reference*.

### MME Schema

The MME tracks the number of SRVCC 1xRTT calls and 4G-to-1xRTT handovers using the following variables:

- s1ap-transdata-dlinktunnel
- s1ap-reccdata-ulinktunnel
- s1-ho-4gto1xrtt-cs-srvcc-attempted
- s1-ho-4gto1xrtt-cs-srvcc-success
- s1-ho-4gto1xrtt-cs-srvcc-failures

### S102 Schema

The MME will use the S102 interface to tunnel the 1xRTT messages between the MME and IWS/MSC. The S102 schema has been created to track performance over this interface and includes all of the following variables (which are described in detail in the *Statistics and Counters Reference*) :

- vpnname
- vpnid
- servname
- servid
- s102ap-tx-a21-air-signal-msg
- s102ap-tx-a21-ack-msg
- s102ap-tx-a21-evt-ntfy-msg
- s102ap-tx-unknown-msg
- s102ap-retx-a21-air-signal-msg
- s102ap-retx-a21-ack-msg
- s102ap-retx-a21-evt-ntfy-msg
- s102ap-retx-unknown-msg
- s102ap-rx-a21-air-signal-msg
- s102ap-rx-a21-ack-msg
- s102ap-rx-a21-evt-ntfy-msg
- s102ap-rx-unknown-msg
- s102ap-encode-errors
- s102ap-missing-mandatory-ies

- s102ap-corelation-mismatch
- s102ap-decode-errors
- s102ap-syntax-errors
- s102ap-misc-errors

## Traps

Traps are defined to indicate when an S102 service starts or stops. The trap information includes the context identification in which the S102 service is configured the unique identification of the S102 service. The following are examples of how the traps would appear :

```
Internal trap notification <XXXX> (S102ServiceStop) context S102 service s102-service
```

```
Internal trap notification <YYYY> (S102ServiceStart) context S102 service s102-service
```





## CHAPTER 101

# State-Location Information Retrieval Flag

The MME indicates in the ULR command that it supports State/Location Information Retrieval so the HSS sets the "EPS User State Request", "EPS Location Information Request" and "Current Location Request" bits in IDR-Flags AVP in IDR commands towards that MME. This chapter explains how the MME supports this flag.

- [Feature Description, on page 927](#)
- [How It Works, on page 927](#)
- [Configuring Support for the State Location Information Retrieval Flag , on page 929](#)
- [Monitoring the MME's Support for the State - Location Information Retrieval Flag, on page 932](#)

## Feature Description

The MME sends the "State/Location-Information-Retrieval" flag set in the Feature-List AVP of the Update Location Request (ULR) message over the S6a interface to the HSS at the time the UE attaches. With the "State/Location-Information-Retrieval" flag set, the HSS knows to set the "EPS User State Request", "EPS Location Information Request" and "Current Location Request" bits in the IDR-Flags AVP in IDR messages towards the MME. This subscriber data provides the UE's current location information needed in multiple service scenarios, such as VoLTE services on the IMS side.

## How It Works

### MME Behavior for IDR-initiated Paging

Upon receipt of an IDR message with the "Current Location Request" bit set in the IDR-Flags AVP, the MME behavior complies with Feature-List AVP, IDR-Flags AVP, and EPS-Location-Information AVP sections as specified in 3GPP TS 29.272 v11.9.0. So when the IDR messages are received with "EPS Location Information Request" and "Current Location Request" bits set in IDR-Flags AVP, the MME sends the UE's current location information or the UE's last known location information in the "EPS-Location-Information" AVP of the IDA message

If IDR is received with "EPS Location Information Request" and "Current Location Request" flags set in IDR-Flags AVP, the MME's IDA response depends on whether :

- the UE is in connected mode with Location Reporting active making location information available, then the MME sends the IDA message without "Current-Location-Retrieved" AVP in "EPS-Location-Information" AVP.
- the UE is in connected mode without Location Reporting active so location information is not available, then the MME sends a Location-Reporting-Control message to the eNB to get the ECGI and the TAI.
  - If the MME receives a Location-Report message, then the MME sends an IDA message without "Current-Location-Retrieved" AVP and the "Age-Of-Location-Information" is set to zero in the "EPS-Location-Information" AVP sent to the HSS.
  - If the MME does not receive a Location-Report message, then the MME sends IDA message with last known location information with "Age-Of-Location-Information" AVP and without "Current-Location-Retrieved" AVP to the HSS.
- the UE is in idle mode, then the MME pages the UE to bring the UE to connected mode.
  - If paging is successful, then the MME sends an IDA message with "Age-Of-Location-Information" and "Current-Location-Retrieved" both set to zero in the "EPS-Location-Information" AVP to the HSS.
  - If paging is not successful, then the MME sends IDA messages with last known location information with "Age-Of-Location-Information" AVP and without "Current-Location-Retrieved" AVP to the HSS.

## Location Reporting Control

The Location Report Control messages allow the MME to request the eNB to report where the UE is currently located.

## MME's IDR-initiated Paging Process

If the UE is in ECM-IDLE and the MME receives IDR with "EPS Location Information Request" and "Current Location Request" flags set in IDR-Flags AVP, then the MME starts the ISDA guard timer (configurable for 1-100 seconds\*\*) and also triggers the paging procedure. If the MME receives a response from the eNB before the timer expires, then MME sends an IDA message with the UE's current location information in the "EPS-Location-Information" AVP. Otherwise the MME sends an IDA message with the last known location information in "EPS-Location-Information" AVP when the ISDA timer expires. (\*\*Configuration as of Release 17.4.)

Paging initiation is similar to paging for signaling events. However, a separate event shall be used in this case and be processed. If the paging procedure is already running for that UE, then when IDR is received with both flags set the MME shall not trigger paging again. MME behavior depends on the precedence configuration under paging-map:

- If the paging procedure already running for the UE has a higher precedence than for IDR, then when IDR is received with both flags set and if the other paging is not successful, then the MME does not trigger IDR paging again.
- If the paging procedure already running for the UE has a lower precedence than for IDR, and if IDR is received with both flags set, then the MME stops the ongoing paging procedure and triggers an IDR paging procedure.

If the paging procedure completes before the ISDA guard timer expires and a paging response is not received from the eNB, then the MME sends an asynchronous IDA response immediately without waiting for ISDA timeout.

## MME's Immediate Response Through IDA

In Release 21.0 the MME responds to the IDR messages immediately with the cached location information, if the request is received within a configured amount of time. Earlier, when the MME received an IDR request for the current location of the UE, it sends a query to the eNodeB to acquire the location information of the UE, though MME had the location information available in its cache memory.

Now, based on a configurable timer under mme-service configuration, the location information, that is, ECGI and TAI of the UE, available in the MME cache memory, is sent immediately in the IDA message. This location information is sent only if the configured timer has not expired. The eNodeB is not queried with any messages if the location information is available in the MME.

If both flags 'EPS Location Information' and 'Current Location Request' are received in the IDR, the MME immediately sends the cached location information through the IDA, if the configured timer has not expired.

This specific functionality of MME to respond immediately to the incoming IDR is license controlled. Contact your Cisco Account or Support representative for information on how to obtain a license.

## Standards Compliance

The MME's support of the State/Location Information Retrieval flag complies with the following standards:

- Feature-List AVP, IDR-Flags AVP, and EPS-Location-Information AVP sections as specified in 3GPP TS 29.272 v11.9.0

## Configuring Support for the State Location Information Retrieval Flag

There is no configuration to enable or disable the MME's support of the State/Location-Information-Retrieval Flag. But, we highly recommend that you set precedence for IDR paging appropriate to your network. The significance of precedence is explained above in the *MME's IDR-initiated Paging Process* section.




---

**Important** If precedence is not configured, then the lowest precedence is automatically assigned.

---

## Configuring Precedence for IDR Paging

Precedence for IDR paging is set using the existing **precedence** command with a special **idr** added as a paging trigger option to the signaling filter of the **traffic-type** keyword. The **precedence** command enables the operator to apply a priority for different paging-profiles based on traffic type. When a defined MME service is associated with a configured paging map, the system checks the configured profile map to determine which paging-profile to adopt for a given paging trigger, such as an IDR.

**configure**

**lte-policy**

**paging-map** *paging\_map\_name*

**precedence** *precedence* **traffic-type signaling [ idr ] paging-profile**

*paging\_profile\_name*

```
no precedence precedence
end
```

Notes:

- *paging\_map\_name* must be an alphanumeric string of up to 64 characters to identify a unique paging map associated with the LTE Policy.
- *precedence* must be an integer from 1 (lowest precedence) to 4 (highest precedence) to specify the handling precedence for this particular configuration definition.
- **idr** option selects IDR as the signaling traffic sub-type that triggers paging. (There are several other signaling traffic-type options.)
- *paging\_profile\_name* must be an alphanumeric string of up to 64 characters to identify a unique paging profile associated with the paging map and the LTE Policy.
- **no precedence precedence** removes the precedence configuration associated with the paging-map.

## Verifying the Precedence Configuration

The **show lte-policy paging-map name map\_name** command allows you to see the precedence information configured, for example:

```
show lte-policy paging-map name pml
=====
Paging Map : pml
=====
Precedence 1 : Signaling-IDR Paging is performed as per paging-profile pml
=====
```

## Configuring the ISDA Guard Timer

### isda-guard-timeout

This new command in the MME Service configuration mode enables the operator to set the number of seconds the MME waits for current location information for the UE. If the current location is not learned before expiry, because there is no paging response or location reporting control from the eNB, then the MME sends the ISDA with the last-known location upon expiry of this timer.

```
configure
context context_name
  mme-service service_name
    [ no ] isda-guard-timeout seconds
  end
```

Notes:

- **no** prepended to the command disables any configuration for this timer and resets the wait time to the default of 25 seconds.
- Only when the ISDR is received with both location flags (current and last-known locations) set is the ISDA guard timer started. Upon expiry of this wait timer, the MME sends the ISDA with the last-known location of the UE.
- In situations where the MME receives the ISDR with only the last-known location flag set, then the MME immediately sends the ISDA with location information - no delay and this timer is not started even if configured.

- When the ISDA guard timer expires, the paging procedure does not stop until the page timer expires but the MME ignores the paging timer and sends the ISDA with the last-known location *if* the ISDR was received with both location flags set and the UE is in EMM-idle mode.
- While the MME is serving the ISDR (where both location flags are set) from the HSS, if the HSS tries to send another similar request then the MME responds to the HSS with DIAMETER\_UNABLE\_TO\_COMPLY.

## Configuring Location Validation Timer for IDA

### loc-validity-time

This command is used to configure a timer value, with which the location information of the UE is sent immediately through the IDA message. If the current location is not learned before expiry, because there is no paging response or location reporting control from the eNB, the MME sends the IDA with the last-known location upon expiry of this timer.

#### configure

```
context context_name
  mme-service service_name
    [ no ] isda loc-validity-timeout timer_value
  end
```

Notes:

- **no** disables the location validity configuration.
- *timer\_value* specifies the amount of time in seconds. The timer is an integer value that ranges from 1 to 1000 seconds.
- **isda** command specifies/selects the Insert Subscriber Data Answer sent to the HSS.
- **loc-validity-time** command specifies the expiry time for the age of the UE's location information. During this time, if the EPS Location Information with current location is requested in the ISDR, the MME does not process a location procedure with the eNodeB, but sends the location information from the cache.

## Verifying the Precedence Configuration

The **show lte-policy paging-map name** *map\_name* command allows you to see the precedence information configured, for example:

```
show lte-policy paging-map name pml
=====
Paging Map : pml
=====
Precedence 2 : Signaling-IDR  Paging is performed as per paging-profile pml
-----
```

# Monitoring the MME's Support for the State - Location Information Retrieval Flag

## show mme-service statistics

Counters have been added, to the output generated by this command, to display quantitative data for successes and failures of paging initiated in response to IDR:

```
Paging Initiation for SIGNALING IDR Events:
Attempted:          0      Success:    0
Failures:          0
Success at Last n eNB: 0      Success at Last TAI:    0
Success at TAI List: 0
```

## show mme-service all

On execution of the above command, the following fields are displayed:

```
Service Name          : mmesvc
-----
ISDA Gaurd Timeout   : 10s
ISDA Location Availability : 10s
Mobile Reachable Timeout : 3480s
-----
```

## show hss-peer-service statistics service

On executing the above command, the following fields are displayed:

```
HSS statistics for Service: mmel
Location Message Stats:
Asynchronous ISDR Req      0Asynchronous ISDR Dropped    0
Asynchronous ISDA         0      Asynchronous ISDA Dropped    0
ISDR with Current Location 0      ISDA with Cached Location    0
```

Notes:

- **ISDR with Current Location:** This statistics is updated when ISDR is received with the Current Location bit set in the IDR flags.
- **ISDA with Cached Location:** This statistics is updated when an ISDR is responded with the current location information immediately from the cache, before the location validity timer expires.

## show hss-peer-service statistics

In support of the new "State/Location Information Retrieval" flag functionality, counters have been added to the output generated by the **show hss-peer-service statistics** command :

- Asynchronous Message Stats:
- Asynchronous ISDR Req
- Asynchronous ISDR Dropped

- Asynchronous ISDA
- Aynchronous ISDA Dropped
- ISDR Req with Current Location
- ISDA with Cached Location

## Bulk Statistics

Functional descriptions, triggers and statistic type are defined for each of the bulk statistics listed below in the *Statistics and Counters Reference*.

The following bulk statistics have been added to the **MME schema** to track paging initiated in response to IDR:

- signaling-idr-paging-init-events-attempted
- signaling-idr-paging-init-events-success
- signaling-idr-paging-init-events-failures
- signaling-idr-paging-last-enb-success
- signaling-idr-paging-last-tai-success
- signaling-idr-paging-tai-list-success

The following bulk statistics have been added to the **HSS Schema** to track the location information response to the IDR:

- msg-isdr-curr-loc
- msg-isda-cached-location







# CHAPTER 102

## TAI-based Routing for 20-bit and 28-bit eNB ID

This feature enables MME to perform TAI-based routing for both 20-bit and 28-bit eNB IDs.

- [Feature Summary and Revision History, on page 935](#)
- [Feature Description, on page 936](#)
- [Configuring TAI-based Lookup of eNB, on page 937](#)
- [Monitoring and Troubleshooting the TAI-based Lookup, on page 939](#)

### Feature Summary and Revision History

#### Summary Data

Applicable Product(s) or Functional Area	MME
Applicable Platform(s)	<ul style="list-style-type: none"><li>• ASR 5500</li><li>• VPC-DI</li><li>• VPC-SI</li></ul>
Default Setting	Disabled - Configuration Required
Related Changes in This Release	Not Applicable
Related Documentation	<ul style="list-style-type: none"><li>• <i>Command Line Interface Reference</i></li><li>• <i>MME Administration Guide</i></li><li>• <i>Statistics and Counters Reference</i></li></ul>

#### Revision History

Revision Details	Release
HeNBGW Selection Enhancement in MME.	21.18
HeNBGW Selection Enhancement in MME.	21.15

Revision Details	Release
First introduced.	21.1

## Feature Description

MME supports TAI-based routing of handover (HO) and configuration transfer messages towards Pico controller/HeNBGW when the target eNB ID is 28 bits, but it could not support TAI-based routing when the target Pico eNB ID is 20 bits.

Pico controller can transfer the target Pico eNB ID to 28 bits from 20 bits if the handover is Pico-to-Pico, but it could not handle Macro-to-Pico handover as there is no Pico Controller for Macro.

In releases 21.1 and beyond, the behavior of MME is modified so that it can perform TAI-based routing even if target home-eNB ID is 20 bits.

This feature provides a configurable option within MME service to configure target HeNB type (home or macro or both) behind HeNBGW. Based on this configuration, MME allows TAI-based lookup of target eNB, if target eNB ID is not found by MME during handover. By default, TAI-based lookup is performed only for home eNB ID (28-bits).

This feature is also introduced to support identification of target eNB using target TAI for target eNB type Macro or Pico nodes or both so that handover to such eNB can be supported if it is connected to MME through Pico controller/HeNBGW. From MME point of view, Pico controller is a Macro eNB which is using 20 bit eNB ID to support multi-cell.

Along with S1 based intra-MME HO, this feature can be applied to inter MME S1 HO procedures (inbound S10, S3 and Gn handovers). Please note that, in Gn case, MME converts target RNC ID to macro eNB ID so target TAI-based lookup for macro eNB works fine.

This feature allows operators to configure the global eNodeB IDs of HeNBGWs in the MME service. The MME uses this information to perform HeNBGW related functions. In case of S1-based handovers to home eNodeBs served by a HeNBGW, the lookup at MME for the target eNodeB based on global eNB ID will fail, as MME is aware of only the HeNBGW. In those cases, additional lookup needs to be done based on TAI to find the HeNBGW serving the home eNodeB.

Since TAI-based lookup for home or macro eNBs is supported for HeNBGWs, all such HeNBGWs should be defined in HeNBGW management database (HeNBGW-mgmt-db). The HeNBGW-mgmt-db should be associated within mme-service.

The number of HeNBGW entries in the HeNBGW-mgmt-db has been increased from 8 to 512.

### HeNBGW Selection Enhancement

TAI is unique and it is not shared across multiple HeNBGWs. If the TAIs are shared, then any one of the target eNBs sharing the TAC under consideration will be selected during TAI-based target eNB selection and handed over to the eNB may fail. To overcome this failure, HeNBGW matched with MSB 10 bits of Target HeNB ID (macro-enb 20 bit or home-enb 28 bits) and eNB ID of HeNBGW must be selected. If no match is found, then any one of the target eNBs sharing the TAC under consideration is selected during the TAI-based target eNB selection and handover to the eNB may ultimately fail.



**Note** If there are several HeNBGW with same TAI, CISCO MME supports selection of HeNBGW with MSB 10 bits (macro-enb 20 bit or home-enb 28 bits) of HeNB ID.

## Limitations

The following are the limitations of this feature:

- TAI-based lookup is performed only for home eNB.
- TAI should be unique and should not be shared across multiple HeNBGWs. If the TAIs are shared, then any one of the target eNBs sharing the TAC under consideration will be chosen during TAI-based target eNB selection and handover to the eNB might fail.

## Configuring TAI-based Lookup of eNB

The following section provides the configuration commands to enable the TAI-based lookup of eNB.

### Configuring Target eNB Type for TAI-based Lookup

Use the following configuration commands to configure the target eNB type or target henb-type as home or macro.

```
configure
  context context_name
    mme-service service_name
      hcnbgw henb-type { macro-enb | home-enb | all }
    end
```

Notes:

- The **hcnbgw henb-type { macro-enb | home-enb | all }** is a new CLI command introduced in 21.1 release to support TAI-based lookup functionality.
- **hcnbgw**: Configures Home eNodeB gateway options.
- **henb-type**: Configures HeNB type. TAI-based lookup depends on HeNB type.
  - **home-enb**: Configures HeNB type home-enb (28-bits)
  - **macro-enb**: Configures HeNB type macro-enb (20-bits)
  - **all**: Configures HeNB type both macro-enb (20-bits) and home-enb (28-bits)
- By default, when the **hcnbgw henb-type** command is not applied explicitly, target eNB type is set as home-enb.
- Use the **no hcnbgw henb-type** command to delete the existing configuration, if previously configured.

- The target eNB type configuration is effective only when the **henbgw henb-type** CLI command is configured within mme-service and the HeNBGW-mgmt-db is associated with HeNBGWs inside mme-service.

## Verifying the Target eNB Type Configuration

Use the following commands to verify the configuration status of this feature.

```
show mme-service all
```

- or -

```
show mme-service name service_name
```

*service\_name* must be the name of the MME service specified during the configuration.

This command displays all the configurations that are enabled within the specified MME service.

The following is a sample configuration of this feature.

```
configure
  lte policy
    mme henbgw mgmt-db db_name
      henbgw-global-enbid mcc 123 mnc 456 enbid 12345
      henbgw-global-enbid mcc 123 mnc 456 enbid 12543
    end
  end
configure
  context context_name
    mme-service service_name
      henbgw henb-type macro-enb
      associate henbgw-mgmt-db henbdb
    end
  end
```

### NOTES:

- By default, when the **henbgw henb-type** command is not configured, target eNB type is set as **home-enb**.

## Configuring HeNBGW msb-10-bits Selection

Use the following commands to configure HeNBGW selection using HeNB MSB 10 bits for the same TAI.

```
configure
  context context_name
    mme-service service_name
      henbgw selection msb-10-bits
      no henbgw selection
    end
  end
```

### NOTES:

- **no** : Removes the configured HeNBGW selection for the same TAI.
- **henbgw**: Configures HeNBGW options.
- **selection**: Configures HeNBGW selection for same TAI.

- **msb-10-bits** Configures HeNBGW selection using HeNB MSB 10 bits for same TAI. By default this is disabled.



**Note** HeNBGW selection using HeNB MSB 10 bits is performed only when TAIs are shared across multiple HeNBGWs.

The TAI lookup happens only in the following instance:

- When `henb-type {all | macro-enb}` for handover to target HeNBGW macro 20 bits.
- When `henb-type {all | home-enb}` is configured for handover to target HeNBGW home 28 bits. However, when `henb-type {macro}` is configured for handover to target HeNBGW home 28 bits, the lookup at MME for the target eNodeB will fail in handover preparation.

## Monitoring and Troubleshooting the TAI-based Lookup

This section provides information regarding show commands and/or their outputs in support of this feature.

The following operations can be performed to troubleshoot any failure related to this feature:

- Verify if the feature is enabled using **show mme-service all** CLI command. If not enabled, configure the **henbgw henb-type** CLI command in MME service Configuration mode and check if it works.
- Collect and analyze the output of **show configuration**, **show support details**, **show mme-service name service\_name** and **show mme-service statistics handover** commands. Also, check the reported logs, if any. For further analysis, contact Cisco account representative.
- Check and analyze the debug logs for `mme-app`, `slap`, `mmemgr`, and `mmedemux` facilities to determine if TAI-based lookup fails for a particular TAI.

### show mme-service all

The following field is added to the output of the **show mme-service all** command in support of this feature.

```
HENBGW HeNodeB Type: macro-enb
```

**Table 57: show mme-service all Command Output Descriptions**

Field	Description
HENBGW HeNodeB Type	Displays the configured type for HeNodeB gateway. HENBGW HeNodeB Type can be one of the following: <ul style="list-style-type: none"> <li>• macro-enb</li> <li>• home-enb</li> <li>• all</li> </ul>

**show mme-service name service\_name**

Field	Description
HeNBGW selection using HeNodeB MSB 10 bits for same TAI	<ul style="list-style-type: none"> <li>• Enabled</li> <li>• Disabled</li> </ul>

## show mme-service name *service\_name*

The following field is added to the output of the **show mme-service name service\_name** command in support of this feature.

```
HENBGW HeNodeB Type: macro-enb
```

**Table 58: show mme-service name service\_name Command Output Descriptions**

Field	Description
HENBGW HeNodeB Type	<p>Displays the configured type for HeNodeB gateway.</p> <p>HENBGW HeNodeB Type can be one of the following:</p> <ul style="list-style-type: none"> <li>• macro-enb</li> <li>• home-enb</li> <li>• all</li> </ul>

## show mme-service statistics handover

The following fields are added to the output of the **show mme-service statistics handover** command in support of this feature.

```
Handover Statistics:
  Intra MME Handover
  .
  .
  Target TAI based S1 handover
    Attempted:    4
    Success:      3
    Failures:     1
  .
  .
  EUTRAN<-> EUTRAN using S10 Interface:
  .
  .
  Inbound relocation using Target TAI based S1 HO procedure:
    Attempted:    0
    Success:      0
    Failures:     0
```

Table 59: show mme-service statistics Command Output Descriptions

Field	Description
<b>Target TAI based S1 handover</b>	
Attempted	Displays the total number of attempted intra MME S1 handovers that used target TAI to identify the target HeNodeB, if target eNB ID is unknown.
Success	Displays the total number of successful intra MME S1 handovers that used target TAI to identify the target HeNodeB.
Failures	Displays the total number of failed intra MME S1 handovers that used target TAI to identify the target HeNodeB.
<b>Inbound relocation using Target TAI based S1 HO procedure</b>	
Attempted	Displays the total number of attempted inter MME S10 handovers where target MME used target TAI to identify the target HeNodeB, if target eNB ID is unknown.
Success	Displays the total number of successful inter MME S10 handovers where target MME used target TAI to identify the target HeNodeB.
Failures	Displays the total number of failed inter MME S10 handovers where target MME used target TAI to identify the target HeNodeB.

## show mme-service statistics peer-id

The following fields are added to the output of the **show mme-service statistics peer-id peer\_id handover** command in support of this feature.

```
Handover Statistics:
  Intra MME Handover
  .
  .
  Target TAI based S1 handover
    Attempted:      4
    Success:        3
    Failures:       1
  .
  .
  EUTRAN<-> EUTRAN using S10 Interface:
  .
  .
  Inbound relocation using Target TAI based S1 HO procedure:
    Attempted:      0
    Success:        0
    Failures:       0
```

**Table 60: show mme-service statistics Command Output Descriptions**

Field	Description
<b>Target TAI based S1 handover</b>	
Attempted	Displays the total number of attempted intra MME S1 handovers that used target TAI to identify the target HeNodeB, if target eNB ID is unknown.
Success	Displays the total number of successful intra MME S1 handovers that used target TAI to identify the target HeNodeB.
Failures	Displays the total number of failed intra MME S1 handovers that used target TAI to identify the target HeNodeB.
<b>Inbound relocation using Target TAI based S1 HO procedure</b>	
Attempted	Displays the total number of attempted inter MME S10 handovers where target MME used target TAI to identify the target HeNodeB, if target eNB ID is unknown.
Success	Displays the total number of successful inter MME S10 handovers where target MME used target TAI to identify the target HeNodeB.
Failures	Displays the total number of failed inter MME S10 handovers where target MME used target TAI to identify the target HeNodeB.

## Bulk Statistics

### MME Schema

The following bulk statistics have been added to the MME schema to track the TAI-based lookup attempts, successes and failures during intra-MME S1 and inter-MME inbound S10 handovers:

- emmevent-s1ho-target-tai-attempt
- emmevent-s1ho-target-tai-success
- emmevent-s1ho-target-tai-failure
- in-s1-ho-4gto4g-s10-target-tai-attempted
- in-s1-ho-4gto4g-s10-target-tai-success
- in-s1-ho-4gto4g-s10-target-tai-failures

For detailed information on these bulk statistics, refer to the **BulkstatStatistics\_documentation.xls** spreadsheet that is included as part of the software companion package for this release.





# CHAPTER 103

## Target MME Load Balancing During Handover

- [Feature Summary and Revision History, on page 943](#)
- [Feature Description, on page 944](#)

### Feature Summary and Revision History

#### Summary Data

Applicable Product(s) or Functional Area	MME
Applicable Platform(s)	<ul style="list-style-type: none"> <li>• ASR 5500</li> <li>• VPC-DI</li> <li>• VPC-SI</li> </ul>
Default Setting	Enabled - Always on
Related Changes in This Release	Not Applicable
Related Documentation	<i>MME Administration Guide</i>

#### Revision History

Revision Details	Release
With this release, this feature is fully qualified.	21.13
First introduced.	21.12.2
<b>Important</b> Target MME Load Balancing During Handover feature is not fully qualified in this release. It is available only for testing purposes.	

## Feature Description

MME can now configure multiple MME addresses for the same Tracking Area Identity (TAI) with the same priority. During the S1 handover procedure, MME selects the target MME based on the static configuration. If more than one MME is configured for the same TAI and priority then the round robin logic of selecting MMEs is used.

The limitation in configuring multiple MME addresses for the same TAI and priority is removed.

Consider an example where target MMEs with ip-address1, ip-address2 and ip-address3 are configured for the same TAI and priority. For the first handover to target TAI, the MME with address1 is used, for the second handover the MME address2 is used, and for the third handover the MME address3 is used. This sequence is repeated upon successive handovers to the same TAI.

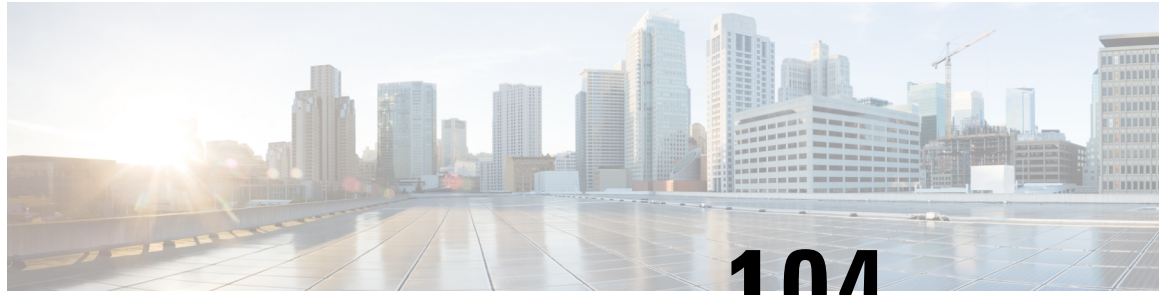
```
peer-mme tai-match priority <val> mcc <val> mnc <val> tac <val> address <ip-address1>
peer-mme tai-match priority <val> mcc <val> mnc <val> tac <val> address <ip-address2>
peer-mme tai-match priority <val> mcc <val> mnc <val> tac <val> address <ip-address3>
```



---

**Note** Each Session Manager independently load balances between the target MMEs.

---



## CHAPTER 104

# Timer-based GBR Bearer Deactivation

- [Feature Description, on page 945](#)
- [How It Works, on page 945](#)
- [Configuring Timer-based GBR Bearer Deactivation, on page 946](#)
- [Monitoring and Troubleshooting the Timer-based GBR Bearer Deactivation, on page 947](#)

## Feature Description

The Timer-based GBR Bearer Deactivation, a proprietary feature of StarOS, allows MME to retain dedicated bearers of a User Equipment (UE) when eNodeB sends a S1-AP Context Release to enable the UE to resume a VoLTE call on receiving a new Service Request or RCC Connection. For example, if a subscriber is out of coverage for a short period of time during a VoLTE call, the GBR bearer would be retained and the session is not lost.

MME provides a configurable timer for which the GBR bearers are preserved when a UE Context Release Request message with "Radio Connection With UE Lost" cause code is received from the eNodeB. MME preserves the GBR bearers for the configured time.

A valid license key is required to enable this feature. Contact your Cisco Account or Support representative for information on how to obtain a license. This license was not enforced in earlier releases.

## How It Works

When MME receives a UE Context Release Request with "Radio Connection With UE Lost" cause code from the eNodeB to initiate the S1 Release procedure for a UE, the MME is configurable to preserve GBR bearers of the UE for a time ranging from 1 - 600 seconds. The configurable range of time avoids time consumption during bearer reestablishment if the UE reconnects within the given time.

Based on operator policy, in case of eNodeB failure, the MME either preserves all the bearers or initiates the Dedicated Bearer Deactivation procedure for GBR bearers. This functionality is provisioned in the Call Control Profile.

## Limitations

Negligible amount of memory is affected because the GBR bearers are preserved for the configured amount of time instead of being released.

# Configuring Timer-based GBR Bearer Deactivation

This section documents configuration of Timer-based GBR Bearer Deactivation and its related functionality.

## Configuring Timer-based GBR Bearer Deactivation

The Timer-based GBR Bearer Deactivation is configured in the Call Control Profile configuration mode.

The following CLI command allows the user to configure the timer, which defines the time allowed for the GBR bearers to be preserved when the UE Context Release Request message with the "Radio Connection With UE Lost" cause code is received from eNodeB.

### **gbr-bearer-preservation-timer**

The Timer-based GBR Bearer Deactivation is configured in the Call Control Profile Configuration Mode. The **gbr-bearer-preservation-timer** command allows the user to configure the timer, which defines the time allowed for the GBR bearers to be preserved when the UE Context Release Request message with the "Radio Connection With UE Lost" cause code is received from eNodeB.

```
configure
  call-control-profile profile_name
    gbr-bearer-preservation-timer timer_value
    [ remove ] gbr-bearer-preservation-timer
  end
```

Notes:

- The **gbr-bearer-preservation-timer** command allows the operator to set the preservation time for the bearer on receiving the UE Context Release with the "Radio Connection With UE Lost" cause code.
- The *timer\_value* specifies the duration for preserving the bearers in seconds. It is an integer value ranging from 1 to 600.
- **remove** disables the timer configuration.

## Verifying the Timer-based GBR Bearer Deactivation Configuration

The following section describes command available to verify Timer-based GBR Bearer Deactivation configuration on the MME.

```
show call-control-profile full name test
```

On running the above show command the full configuration for the call control profile is displayed. The following fields relate to this feature:

```
GMM-T3346 Timer
Min Value : Not Configured
Max Value : Not Configured
TCP Maximim Segment Size : Not Configured
GBR Bearer Preservation Timer : 10s
```

# Monitoring and Troubleshooting the Timer-based GBR Bearer Deactivation

The following sections describe commands available to monitor or troubleshoot Timer-based GBR Bearer Deactivation on the MME.

## Troubleshooting Timer-based GBR Bearer Deactivation

To troubleshoot the Timer-based GBR Bearer Deactivation feature, use the following instructions:

- Verify if the feature is enabled or not by executing the following command:

```
show call-control-profile full name test
```

If the **GBR Bearer Preservation Timer** field displays the configured timer value, then the feature is considered to be enabled, else disabled.

- To raise a trouble ticket, collect the output of the following show commands:

```
show configuration
```

```
show call-control-profile full all
```





# CHAPTER 105

## TMSI Based NRI Container IE

- [Feature Summary and Revision History, on page 949](#)
- [Feature Description, on page 950](#)
- [How it Works, on page 950](#)
- [Configuring NonBroadcast LAI, on page 951](#)
- [Monitoring and Troubleshooting, on page 951](#)

### Feature Summary and Revision History

#### Summary Data

Applicable Product(s) or Functional Area	MME
Applicable Platform(s)	<ul style="list-style-type: none"> <li>• ASR 5500</li> <li>• VPC-DI</li> </ul>
Feature Default	Disabled - Configuration Required
Related Changes in This Release	Not Applicable
Related Documentation	<ul style="list-style-type: none"> <li>• <i>Command Line Interface Reference</i></li> <li>• <i>MME Administration Guide</i></li> <li>• <i>Statistics and Counters Reference</i></li> </ul>

#### Revision History

Revision Details	Release
TMSI based NRI container IE in LUR message over SGs interface is supported.	21.28

## Feature Description

MME supports Temporary Mobile Subscriber Identity (TMSI) based Network Resource Identifier (NRI) container IE in the Location Update Request (LUR) message over SGs interface. The UE sends this IE through the Combined Attach or Tracking Area Update (TAU) Request message. After the IE gets received, it gets parsed, processed, and sent through the SGs interface to the Visitor Location Register (VLR) in the LUR message.

## How it Works

UE sends IE value to MME through S1Ap interface. The value is sent either in the Combined Attach or the TAU request. Now, MME sends the value in the LUR message to the VLR.

If UE does not send TMSI based NRI container in the Combined Attach or the TAU Request message, and if MME determines that the serving VLR changed for UE, MME includes the non-broadcasted Location Area Identifier (LAI) in the old LAI field of the LUR message. Using the below mentioned configurations, the non-broadcasted LAI can be configured, which will be included in LUR message if serving VLR changed for the UE.

**Table 61: LUR Content Based on the TMSI Based NRI Container IE Value and Serving VLR Change**

Sl. No	IEs present in the Combined Attach or TAU message	MME deducts change in serving VLR	Resultant LUR content	Non-broadcast LAI CLI Content used
1	TMSI-based NRI container IE, old LAI IE	yes	TMSI-based NRI container IE, old LAI	No
		No	TMSI-based NRI container IE, old LAI	No
2	TMSI-based NRI container IE, no old LAI IE	Yes	TMSI-based NRI container IE	No
		No	TMSI-based NRI container IE	No
3	No TMSI-based NRI container IE, old LAI IE	Yes	Non-broadcast LAI	Yes
		No	Old LAI	No
4	No TMSI-based NRI container IE, no old LAI IE	Yes	Non-broadcast LAI	Yes
		No	No IE	No



## Configuring NonBroadcast LAI

Use the following configuration to configure nonbroadcast lai.

```
configure
context context_name
  sgs-service service_name
    [ no ] lai non-bradcast mcc mcc_id mnc mnc_id lac lac_id
end
```

### NOTES:

- **no**: Removes the nonbroadcast LAI configuration.
- **lai non-broadcast**: Specifies the Location Area Identity (LAI), not assigned to any area.
- **mcc mcc\_id**: Configures the mobile country code (MCC). *mcc\_id* is a 3-digit number between 000 to 999.
- **mnc mnc\_id**: Configures the mobile network code (MNC). *mnc\_id* is a 2- or 3-digit number between 00 to 999.
- **lac lac\_id**: Configures the location area code (LAC). *lac\_id* is an integer from 0 to 65535.

## Monitoring and Troubleshooting

This section provides information on how to monitor and troubleshoot using show commands to support this feature.

### Show Commands and Output

This section provides information regarding show commands and their outputs for this feature.

#### show sgs-service all

The output of this command is enhanced to display the following fields.

*Table 62: show sgs-service all Command Output Descriptions*

Field	Description
<b>Non-Broadcast LAI</b>	
MCC	Displays the configured MCC value.
MNC	Displays the configured MNC value.
LAC	Displays the configured LAC value.

show sgs-service all



## CHAPTER 106

# UDPC2 Support for MME/SGSN

This chapter includes the following topics:

- [Feature Description, on page 953](#)
- [How It Works, on page 954](#)
- [Configuring MME/SGSN Support on UDPC2, on page 956](#)

## Feature Description

The MME and SGSN support the UDPC2 hardware. The maximum number of MME managers supported per chassis on Cisco ASR 5500 with DPC is 24, to support UDPC2 on ASR 5500 the maximum number of MME managers have been increased to 36.

The CLI command **task facility mmemgr per-sesscard-density { high | normal }** under the Global Configuration mode is used to configure the density (number of MME managers) of MME managers per session card. The disadvantage of this command is that it does not allow configuration of specific number of MME managers per card, but allows the operator to configure only high or normal density. This CLI is deprecated and new CLI commands are introduced to provide the operator with more flexibility to configure number of MME managers per active session cards (or per active session VM in case of VPC) and the total number of MME managers. The MME managers are now moved to Non-Demux card, therefore the number of managers depends on the number of session cards per chassis. The new CLI command enables the operator to spawn the maximum or desired number of MME managers even when the chassis is not fully loaded on the ASR 5500 platform. For VPC DI the operator can restrict max number of MME managers per chassis, if operator desires to scale with more session VMs without requiring additional MME managers.

In UDPC2, the number of Session Managers in ASR 5500 is increased from 336 to 1008.



---

**Note** The StarOS does not support ASR 5500 deployment with mixed usage of DPC and DPC2 cards. All session cards in one ASR 5500 have to be of the same type.

---



---

**Note** All product specific limits, capacity and performance, will remain same as compared to ASR 5500 with DPC.

---

### MME Scaling on DPC2 to 2xDPC

This feature enhancement provides improved CEPS (Call Events Per Second) and session capacity utilization for MME/SGSN on the ASR 5500 DPC2 platform. It is observed that the current MME/SGSN deployments limit the maximum session/subscriber capacity utilization as the CPU reaches its maximum threshold for some proclerts though sufficient memory is available in the system and in the proclert for additional sessions/subscribers. With this enhancement, the session utilization capacity is doubled (2X) on the ASR 5500 DPC2 platform for a specific call model.

This feature has increased the limits for the following MME/SGSN specific proclerts on ASR 5500 DPC2 platform:

- The maximum number of MME managers per chassis has been increased to "48" on ASR 5500 DPC2 platform.
- The maximum number of MME managers per Non-Demux card has been increased to "8" on ASR 5500 DPC2 platform.
- The maximum number of IMSI managers per Demux card has been increased to "8" on ASR 5500 DPC2 platform.

### MMEGR Scaling on DPC

In this feature enhancement, the load on the MME managers are distributed widely with the increase in the number of MME managers. This enhancement is most likely seen in a standalone MME deployment, where the difference in the usage of MME manager CPU and Session Manager CPU is apparent.

This feature has increased the limits of the following MME/SGSN proclerts on the ASR 5500 DPC Platform:

- The maximum number of MME managers per chassis has been increased to "36" on the ASR 5500 DPC platform.

## How It Works

The number of MME managers for a platform is predefined and not configurable. The operator can now configure the desired number of MME managers defined for each platform. The **task facility mmemgr max value** CLI command is introduced to configure the number of MME managers. If the operator does not configure the desired number of MME managers, a default number of predefined MME managers will be configured on the chassis.




---

**Note** After you configure the **task facility mmemgr max** command, you must save the configuration and then reload the chassis for the command to take effect. For information on saving the configuration file and reloading the chassis, refer to the *System Administration Guide* for your deployment.

---

The table below depicts the default and maximum number of MME managers per chassis for each platform:

Platform	Default number of MME Managers per chassis	Maximum number of MME Managers per chassis
ASR 5500 with DPC	24	36 For releases prior to 21.1: 24
ASR 5500 with DPC2	48 For releases prior to 21.0: 36	48 For releases prior to 21.0: 36
SSI MEDIUM/LARGE	2	2
SSI SMALL	1	1
SCALE MEDIUM/LARGE	24	48 For releases prior to 20.0: 24

The number of MME managers for a session card could be configured based only on the density per session card/VM. With the introduction of the **task facility mmemgr per-sesscard-count** *number* CLI command, the operator can now configure the number of MME managers per session card. If the operator does not configure the desired number of MME managers per session card, a default number of MME managers will be spawned on the session card.



**Note** After you configure the **task facility mmemgr per-sesscard-count** command, you must save the configuration and then reload the chassis for the command to take effect. For information on saving the configuration file and reloading the chassis, refer to the *System Administration Guide* for your deployment.

The table below depicts the default and maximum number of MME managers configurable per session card for different platforms/cards:

Platform	Default number of MME Managers per session card	Maximum number of MME Managers per session card
ASR 5500 with DPC	4	6
ASR 5500 with DPC2	8 For releases prior to 21.0: 6	8 For releases prior to 21.0: 6
SSI MEDIUM/LARGE	2	2
SSI SMALL	1	1
SCALE MEDIUM/LARGE	1	2

Configuring the number of MME managers helps to scale the number of eNodeB connections. The maximum number of eNodeB connections supported by MME is 128K per ASR 5500 chassis. Having more number of MME managers ensures better CPU utilization, load balancing across MME managers and improved message communication between session managers and MME managers.

## Configuring MME/SGSN Support on UDPC2

This section describes how to configure the required number of MME managers per session card and the desired number of MME managers per chassis.

### Configuring MME Managers per Session Card

When an operator using this configuration command this CLI is mapped to a new CLI command **task facility mmemgr per-sesscard-count** *count*.

This CLI command is deprecated as it does not allow the operator to configure the required number of MME managers per session card. This command only allows two predefined modes of either "high" or "normal" density.

```
configure
  task facility mmemgr per-sesscard-density { high | normal }
end
```

The following CLI command is introduced to configure the desired number of MME managers per session card:

```
configure
  task facility mmemgr per-sesscard-count count
  default task facility mmemgr per-sesscard-count
end
```




---

**Note** After you configure the **task facility mmemgr per-sesscard-count** command, you must save the configuration and then reload the chassis for the command to take effect. For information on saving the configuration file and reloading the chassis, refer to the *System Administration Guide* for your deployment.

---

#### NOTES:

- The maximum number of MME managers that can be configured per session card varies based on the platform/VM and card type.
- This command is not specific to any platform or card type. It is applicable and available to all platforms and card types.
- The **default** keyword resets the number MME managers per session card to the default number of MME managers per session card/VM. By default this CLI is not configured. When this CLI is not configured, the default number of MME managers per session card will be selected based on platform and card type. The default values are listed below:

Platform/VM and card type	Default number of MME managers per session card
ASR 5500 DPC	4

Platform/VM and card type	Default number of MME managers per session card
ASR 5500 DPC2	8 <b>Note</b> Releases prior to 21.0, the default number of MME managers per session card supported was only "6".
SSI MEDIUM/LARGE	2
SSI SMALL	1
SCALE LARGE/MEDIUM	1

- The **per-sesscard-count** *count* keyword is used to set the maximum number of MME managers per session card. *count* must be an integer ranging from 1 to 6.

The maximum number of MME managers allowed per session card based on the platform/VM and card type is listed below:

Platform/VM and card type	Maximum number of MME managers per session card
ASR 5500 DPC	6
ASR 5500 DPC2	8 For releases prior to 21.0: 6
SSI MEDIUM/LARGE	2
SSI SMALL	1
SCALE LARGE/MEDIUM	2

### Usage Example

Listed below is an example where 3 MME managers are configured per session card on an ASR 5500 platform with DPC2 card:

```
task facility mmemgr per-sesscard-count 3
```

Listed below is an example where default number of MME managers configured per session card on an ASR 5500 platform with DPC card:

```
default task facility mmemgr per-sesscard-count
```

## Configuring MME Managers per Chassis

The following CLI command is introduced to configure the desired number of MME managers per chassis:

```
configure
task facility mmemgr max value
default task facility mmemgr max
end
```



**Note** After you configure the **task facility mmemgr max** command, you must save the configuration and then reload the chassis for the command to take effect. For information on saving the configuration file and reloading the chassis, refer to the *System Administration Guide* for your deployment.

**NOTES:**

- The maximum number of MME managers that can be configured per chassis varies based on the platform. However, the upper limit of MME managers per chassis is set to 48.
- This CLI is not configured by default. The **default** keyword resets the number of MME managers per chassis to the default values. The default values are listed below:

Platform/VM and card type	Default number of MME managers per chassis
ASR 5500 DPC	24
ASR 5500 DPC2	48 <b>Note</b> For releases prior to 21.0 the default number of MME managers per chassis was “36”.
SSI MEDIUM/LARGE	1
SSI SMALL	1
VPC-DI or SCALE LARGE/MEDIUM	24

- The keyword **max value** keyword is used to set the maximum number of MME managers per chassis. *value* must be an integer ranging from 1 to 48.

The maximum number of MME managers allowed per chassis based on the platform/VM and card type is listed below:

Platform/VM and card type	Maximum number of MME managers per chassis
ASR 5500 DPC	36 For releases prior to 21.1: 24
ASR 5500 DPC2	48 For releases prior to 21.0: 36
SSI MEDIUM/LARGE	2
SSI SMALL	1
VPC-DI or SCALE LARGE/MEDIUM	48



### Usage Example

Listed below is an example where 5 MME managers are configured per chassis on an ASR 5500 platform with DPC2 card:

```
task facility mmemgr max 5
```

Listed below is an example where default number of MME managers configured per chassis on an ASR 5500 platform with DPC card:

```
default task facility mmemgr max
```

## Verifying the Configuration

The **show configuration** command is used to verify the configuration of this feature. The output displays the configured values of number of MME managers per chassis or number of MME managers per session card.

If "5" MME managers are configured per chassis the following output is displayed on issuing the **show configuration** command:

```
task facility mmemgr max 5
```

If "2" MME managers are configured per session card the following output is displayed on issuing the show configuration command:

```
task facility mmemgr per-sesscard-count 2
```





# CHAPTER 107

## UE Context Retention

This chapter describes the support of UE Context Retention during SCTP Association recovery in the following sections:

- [Feature Summary and Revision History, on page 961](#)
- [Feature Description, on page 962](#)
- [How It Works, on page 962](#)
- [Configuring UE Context Retention, on page 964](#)
- [Monitoring and Troubleshooting UE Context Retention, on page 965](#)

## Feature Summary and Revision History

### Summary Data

Applicable Product(s) or Functional Area	MME
Applicable Platform(s)	<ul style="list-style-type: none"><li>• ASR 5500</li><li>• VPC-DI</li><li>• VPC-SI</li></ul>
Feature Default	Disabled - Configuration Required
Related Changes in This Release	Not Applicable
Related Documentation	<ul style="list-style-type: none"><li>• <i>Command Line Interface Reference</i></li><li>• <i>MME Administration Guide</i></li><li>• <i>Statistics and Counters Reference</i></li></ul>

### Revision History

Revision Details	Release
First introduced.	21.3

## Feature Description

During an SCTP Association Recovery, radio resources allocated to subscribers are released. The subscribers are moved to IDLE state when an S1 link is re-established. These links are re-established individually based on subscriber-specific activities.

Releasing radio resources and re-establishing radio links is sacrificial to the process. Retaining the subscriber's contexts in the connected state until SCTP association recovery is a viable solution. The MME is enhanced with UE Context Retention, which retains the subscriber's contexts in the connected state until the S1 link is operational.

The subscriber's contexts are held in the connected state until the S1 link is back and operational, based on a configurable retention timer.

Earlier, when S1 notifies S1-AP about a lost signal during an SCTP association recovery, the following scenarios were observed:

- The MME either locally changes the state of the UEs to ECM-IDLE or retains the UEs in ECM-CONNECTED state.
- The eNodeB either releases the RRC connection of the corresponding UEs or keeps the UEs in the RRC\_CONNECTED state.

The UE Context Retention feature attempts to re-establish the lost signal connection using the S1-Setup procedure to retain the UE-related contexts. The UEs are retained in the ECM-CONNECTED state during SCTP Association failures and recovery.

## How It Works

The UE Context Retention feature is enabled using the **s1-ue-retention** command, in the MME service configuration. The configuration also provides a Retention Timer, which retains the SCTP connection until the timer expires.

The retention timer is pushed to the SCTP stack as S1-AP layer and SCTP layer identities are coupled for an association: spAssocId (SCTP assigned association Id) and suAssocId (S1AP assigned association Id).

Having association information at S1-AP layer alone, and freeing SCTP assigned spAssocId for an association at SCTP stack is achieved by decoupling SCTP layer and S1-AP layer for an association together. Decoupling of the SCTP layer and the S1-AP layer for an association is achieved by migration of SCTP associations between MMEs.

The retention timer value is pushed to the SCTP stack when the stack is initialized during start of the MME service. A retention timer value is provided to all S1-MME SCTP associations if the UE retention feature is enabled in the MME service.

## Handling SCTP Association Failures with UE Context Retention

This section describes the handling of SCTP Association failures for the following:

- eNodeB detected SCTP Association Failure
- MME detected SCTP Association Failure

## eNodeB Detected SCTP Association Failure

MME retains UEs in the ECM-CONNECTED during SCTP failures, or during SCTP recovery triggered from eNodeB for an association.

An SCTP PDU is sent to the SCTP stack to process the received chunk. On completion, the SCTP stack indicates an association restart to the MME manager after re-establishing an SCTP association.

On the arrival of S1-Setup Request, SCTP stack sends a data indication to the MME manager, which sends the data indication to S1-AP stack for further processing.

S1-AP stack maintains a peer control block consisting of a peer state and a peer association state. A peer state update will be sent to SESSMGR when peer state changes from normal state to setup in progress state and another update for setup in-progress state to normal state. S1-AP stack sends an update to its peer MME DEMUX and SESSMGR (Session Manager) and sends a data indication to the MMEMGR, indicating the SCTP peer state change during the re-establishment of a broken association, by S1-Setup Request message and S1-Setup Response message.

On receiving a peer state update from the S1-AP stack for an eNodeB association, SESSMGR sends a release indication to all UEs connected through that eNodeB association. SESSMGR moves all the ECM-CONNECTED state UEs to ECM-IDLE state by sending Release Access Bearer Request message to SGW.

The purpose of a peer state update request from S1-AP stack to SESSMGR is to inform peer state change to SESSMGR, and force the SESSMGR to move the ECM-CONNECTED state UEs to ECM-IDLE state by sending Release Access Bearer Request message to SGW.

With the UE Context Retention feature, the S1-AP stack does not send an update to the SESSMGR when a UE Retention Information IE is received in the S1-Setup Request message. This is because the S1-Setup Request message after a restart of SCTP association only changes the peer state (Normal to Set up in-progress) when eNodeB detects SCTP association failure before MME detects.

S1-AP stack can check S1-AP PDU to check presence of UE Retention Information IE in S1-Setup Request message, and need not to send peer state change update to SESSMGR if MME supports UE retention feature and UE Retention Information IE is present in S1-Setup Request message. MMEMGR shall include UE Retention Information IE in S1-Setup Response message if UE Retention Information IE received in S1-Setup Request message and UE retention feature enabled in MME service.

During inbound SCTP Abort or SCTP Shutdown, MME starts the retention timer when it detects SCTP association failure.

## MME Detected SCTP Association Failure

Normally, without UE Context Retention IE, the SCTP closes the SCTP association and send a termination indication to the MME Manager to clear eNodeB data structures, which in turn sends an update to the SessMgr to move the UEs in ECM-CONNECTED state to the ECM-IDLE state, or detaches the UEs connected and its association based on the **sctp-down** command configurable under the MME Service configuration, in the following cases:

- When all paths of that association are down
- Association retransmission exceeds the configured maximum association retransmission

With UE Context Retention IE, the SCTP stack starts the retention timer when an association failure is detected. Unlike the normal process, the association and termination indication is not sent to the MMEMgr.

On expiry of the timer, the SCTP stack clears the association and sends a termination indication to the MMEMgr. An update is sent to the SessMgr, which decides the further process based on the configuration

under MME service. The SCTP stack stops the retention timer only on successful re-establishment of broken connections (INIT, INIT ACK, COOKIE and COOKIE ACK). The SCTPs provision to stop the retention timer keeps the association intact as signaling transport is re-established for the association.

### Runtime Modification of Retention Timer in MME Service

Runtime update of a changed retention timer value is not applied an association in the SCTP stack without explicit MME restart. This is similar to the **sctp-param-template** configuration because the changes applied to the stack only during MME service initializes SCTP stack again for that service, but runtime update of the UE Retention feature does not restart MME service automatically as it is not a critical parameter for MME service.

Enabling of the UE Retention feature during runtime reflects immediately in the MME service; MMEMgr can check the MME service configuration in SCTP association restart cases (without abort) when it handles the S1-Setup Request message. But, enabling of the retention timer at SCTP stack happens only if MME service has restarted. Therefore, MME detected association failures will close the association.

Disabling of UE Retention feature during runtime reflects immediately in the MME service; MMEMgr can check the MME service configuration in SCTP association restart (without abort) when it handles the S1-Setup Request message. But, SCTP stack initiates the retention timer whenever an SCTP association failure is detected even when the UE retention feature disabled in MME service, and when the MME service is not restarted. Therefore, disabling the retention timer needs an MME service restart for immediate effect.

## Handling MME Manager Recovery with UE Context Retention

Using UE Context Retention IE, the **mmemgr-recovery reset-s1-peers** configuration does not move the UEs in the ECM-CONNECTED state to ECM-IDLE state. Instead MME waits for the S1-Setup Request message. The MME does not move the UEs to ECM-IDLE state once it recognizes the UE Context Retention IE in the S1-Setup Request message.

## Standards Compliance

The following standard is supported for the UE Context Retention Feature

- 3GPP TS 24.301 LTE; Evolved Universal Terrestrial Radio Access (E-UTRA) and Evolved Universal Terrestrial Radio Access Network (E-UTRAN); Overall description; Stage 2

## Configuring UE Context Retention

This section describes the configuration procedure for UE Context Retention.

There is no specific external configuration required to use this feature. The operator can configure the UE Context Retention feature during boot time and runtime, but runtime needs MME Service restart. Once the operator completes the configuration, MME enables UE Context Retention during SCTP association failures. There are no specific pre-post configuration requirements for this feature. The configuration done by the operator can be verified using the **show** commands in the execution mode discussed in the *Monitoring and Troubleshooting* section.

Use the following configuration in the MME Service configuration to enable UE Context Retention feature with a mandatory retention timer value.

```

configure
  context context_name
    mme-service service_name
      s1-ue-retention retention-timer timer_value
      no s1-ue-retention
    end

```

**NOTES:**

- **retention-timer** *timer\_value*: Configures the retention timer for UE context retention when SCTP is down in milliseconds. *timer\_value* specifies the timer value for retaining SCTP association and must be an integer from 1 to 1200. The configuration must be a minimum of 100 ms and maximum of 120000 ms with granularity of 100 ms.
- **no**: Disables the configuration.
- By default, the **s1-ue-retention** command is disabled.
- This CLI takes effect immediately at MME service and can be applied to process the S1-Setup Request message. But, disabling the retention timer takes effect at SCTP stack whenever SCTP initialized during start and restart of the MME service. Therefore, disabling and changing the retention timer value needs MME service restart during runtime configuration change. Runtime changes will be reflected in MME service, but not at the SCTP stack.

## Verifying the Configuration

The UE Context Retention configuration can be verified using the following command:

```
show mme-service name service_name
```

On executing the above command, the following output is displayed:

```

Service name           : mmesvc
Context                : ingress
Status                 : STARTED
Bind                   : Done
S1-MME IP Address      : 192.80.80.2
...
...
...
S1 UE Retention        : Enabled
S1 UE Retention Timer  : 100000ms

```

## Monitoring and Troubleshooting UE Context Retention

This section provides information on the show commands and bulk statistics available to support this feature.

### UE Context Retention Show Command(s) and/or Outputs

This section provides information regarding show commands and/or their outputs in support of this feature.

```
show mme-service name service_name
```

On executing the above command, the following new fields are displayed in the output for this feature:

- S1 UE Retention
- S1 UE Retention Timer

**show mme-service enodeb-association full all**

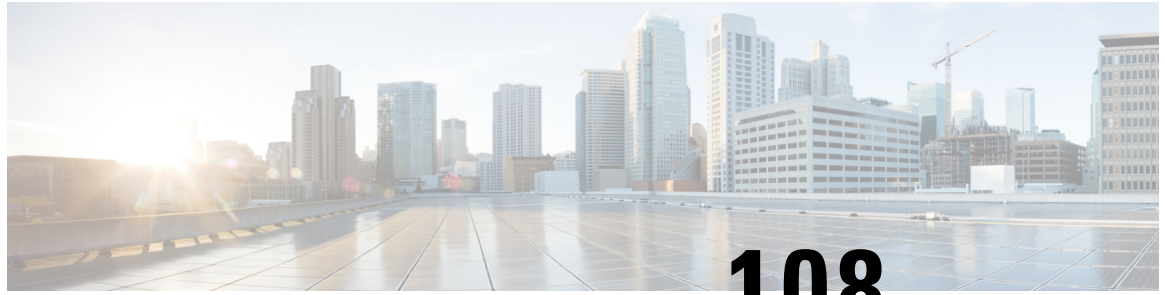
On executing the above command, the following new fields are displayed in the output for this feature:

- S1 UE Retention Information

The following commands can also be used to monitor and troubleshoot the UE Context Retention feature:

- show mme-service enodeb-association full
- show mme-service enodeb-association full enodeb-name *enb-name*
- show mme-service enodeb-association full peer-id *peeri-id*
- show mme-service enodeb-association full mme-service-name *service-name*
- show mme-service enodeb-association full peer-address *enode-ip-address*





## CHAPTER 108

# UE Relocation

---

This chapter describes how to relocate UEs to a specific MME in an MME pool.

- [Feature Description, on page 967](#)
- [How it Works, on page 967](#)
- [Relocating UE to Specific MME, on page 968](#)
- [Monitoring UE Relocation, on page 968](#)

## Feature Description

This feature enables operators to move a UE between different MME nodes within a MME pool area. This functionality can be useful for maintenance of equipment, to allow testing on all components, verifying functionality on new nodes that are not in service yet (when expanding the pool), and for establishing a particular call scenario for troubleshooting.

## How it Works

### UE Relocation

Using this command, the MME can release a UE (based on the UE's IMSI), and cause it to attach to another particular MME within an MME Pool Area.

The UE must be in the EMM-REGISTERED or ECM-CONNECTED state in order to be relocated. If the UE is not in either of these states, the command will be rejected.

If the UE is in ECM-CONNECTED state, the MME uses the GUTI relocation command with a GUTI constructed from the parameters of the **mme relocate-ue** command. Once confirmation is received from the UE, the UE is detached with detach type "re-attach required". If the GUTI relocation procedure fails, the UE is still detached from the network.

# Relocating UE to Specific MME

## Issuing the `mme relocate-ue` Command

Use this exec mode command to trigger the specified UE (IMSI) to detach from the current MME and to reattach to the target MME.

You must know the `mme-group-id` and `mme-code` of the target MME. You must also know the IMSI of the UE to be relocated and provide a new GUTI MME-TMSI for this UE.

This is a one-time executable command. The MME does not retain a record of UEs which have been targeted for relocation. There is no restriction on the number of UEs that can be relocated.

```
mme relocate-ue imsi imsi new-guti mme-group-id grp_id mme-code mme_code m-tmsi mtmsi
```

Notes:

- If the UE is not in EMM-REGISTERED or ECM-CONNECTED mode, the command is rejected.
- **new-guti mme-group-id** *grp\_id* identifies the group to which the target MME belongs. Enter an integer from 0 through 65536.
- **mme-code** *mme\_code* identifies the target MME to which the UE should be attached. Enter an integer from 0 through 255.
- **m-tmsi** *mtmsi* identifies the new GUTI MME-TMSI for the UE. Enter an integer from 0 through 4294967295.
- If the UE is not in EMM-REGISTERED or ECM-CONNECTED mode, the command is rejected.
- If the `mme-group-id` and `mme-code` correspond to the MME where the UE is currently registered, the command is rejected.

## Monitoring UE Relocation

This section lists the bulk statistics and show commands that display UE relocation statistics for a given MME.

### UE Relocation Bulk Statistics

The following statistics are included in the MME Schema to track UE Relocations:

<code>emm-msgtx-guti-reloc</code>	The total number of EMM control messages sent - GUTI relocations. <b>Type:</b> Counter	Int32
<code>emm-msgtx-guti-reloc-retx</code>	The total number of EMM control messages sent - retransmitted GUTI relocations. <b>Type:</b> Counter	Int32
<code>emm-msgrx-guti-reloc-complete</code>	The total number of EMM control messages received - GUTI relocation complete. <b>Type:</b> Counter	Int32

## UE Relocation Show Commands

The following counters are included in the **show mme-service statistics** output in support of the UE Relocation feature:

<b>Total EMM Control Messages</b>	
GUTI Relocation	The total number of EMM GUTI Relocation messages sent for a specific event associated with all MME services on the system.
Retransmissions	The total number of retransmitted EMM GUTI Relocation messages sent for a specific ECM event associated with all MME services on the system.
GUTI Reloc Complete	The total number of EMM GUTI Reloc Complete messages received for a specific ECM event associated with all MME services on the system.
<b>EMM (Evolved Mobility Management) Statistics</b>	
<b>GUTI Relocation</b>	This sub-group displays all GUTI relocation event attempts/successes/failures associated with all MME services on the system.





## CHAPTER 109

# Uneven Distribution of eNodeBs in MME Managers

This chapter describes the following topics:

- [Feature Summary and Revision History, on page 971](#)
- [Feature Description, on page 972](#)
- [Configuring MME Manager, on page 972](#)
- [Monitoring and Troubleshooting, on page 972](#)

## Feature Summary and Revision History

### Summary Data

Applicable Product(s) or Functional Area	MME
Applicable Platform(s)	<ul style="list-style-type: none"><li>• ASR 5500</li><li>• VPC-DI</li><li>• VPC-SI</li></ul>
Feature Default	Not applicable
Related Changes in This Release	Not applicable
Related Documentation	<ul style="list-style-type: none"><li>• <i>Command Line Interface Reference</i></li><li>• <i>MME Administration Guide</i></li></ul>

### Revision History

Revision Details	Release
First introduced.	21.6

## Feature Description

MME Manager distributes/redistributes equal number of eNodeB SCTP connections across MME Managers. As a result of network outages, the distribution of eNodeB SCTP connections by the MME Managers were uneven. The distribution of eNodeB SCTP connections across MME Managers is made even.

## Configuring MME Manager

Use the following configuration to configure the MME Manager related commands and to correct the stack eNB entry in **mmedemux**.

```
mme mmedemux slap-sync mmemgr { all | instance instance_value }
```

### Notes:

- **mme**: Configures the MME exec commands.
- **mmedemux**: Configures the MME Manager related commands.
- **slap-sync**: Synchronizes with slap association count with MME Manager-Archive with all instances of MME Manager.
- **mmemgr**: Synchronizes up with MME Manager on eNodeB list.
- **all**: Synchronizes up with MME Manager on eNodeB list with all instances.
- **instance *instance\_value***: Synchronizes with MME Manager on eNodeB list with specific instance. **instance *instance\_value*** must be an integer from 1 to 48.

```
mme mmedemux audit-with { all | instance instance_value }
```

### Notes:

- **mme**: Configures the MME exec commands.
- **mmedemux**: Configures the MME Manager related commands.
- **audit-with**: Allows **mmedemux** to free up the enodeB archive and to rebuild using audit from the MME Manager database. Clears any blocked eNB entry in **mmedemux**.
- **all**: Synchronizes up with MME Manager on eNodeB list with all instances.
- **instance *instance\_value***: Synchronizes with MME Manager on eNodeB list with specific instance. **instance *instance\_value*** must be an integer from 1 to 48.

## Monitoring and Troubleshooting

This section provides information on the show commands available to this feature.

## Show Commands and/or Outputs

This section provides information regarding show commands and/or their outputs.

### **show session subsystem facility mmedemux instance <instance\_id>**

The following new fields are added to the output of this command:

MMEDemux MMEMGR S1AP Association:

- MME Manager
  - Total ENodeB Associations
  - Total ENodeB Peers



---

**Important** The above command displays the associated count for each MME Manager.

---

```
show session subsystem facility mmedemux instance <instance_id>
```





# CHAPTER 110

## VLR Management

This chapter describes various MME features that provide additional resiliency of the Circuit Switched Fallback (CSFB) service, relating to the management of Visitor Location Registers (VLRs).

- [Feature Summary and Revision History, on page 975](#)
- [Feature Description, on page 976](#)
- [Configuring VLR Offloading, on page 977](#)
- [Enabling UE Detach on VLR Failure or VLR Recover, on page 979](#)
- [Monitoring and Troubleshooting VLR Offload, on page 982](#)

## Feature Summary and Revision History

### Summary Data

Applicable Product(s) or Functional Area	MME
Applicable Platform(s)	<ul style="list-style-type: none"><li>• ASR 5000</li><li>• ASR 5500</li><li>• VPC-DI</li><li>• VPC-SI</li></ul>
Related Changes in This Release	Not Applicable
Related Documentation	<ul style="list-style-type: none"><li>• <i>Command Line Interface Reference</i></li><li>• <i>MME Administration Guide</i></li><li>• <i>Statistics and Counters Reference</i></li></ul>

## Revision History



**Important** Revision history details are not provided for features introduced before releases 21.2 and N5.1.

Revision Details	Release
Support is added for VLR Round-Robin load balancing.	21.27
First introduced	21.22

## Feature Description

VLR Management is to manage the subscribers when a specific VLR is offloaded or failed. This chapter explains how MME distributes subscriber to available VLRs during VLR offload or failure.

These features require a valid license key to be installed. Contact your Cisco Account or Support Representative for information on how to obtain a license.

## Passive VLR Offloading

The MME provides the ability for an operator to enable or disable "offload" mode for the specified Visitor Locations Registers (VLRs). This capability enables operators to preemptively move subscribers away from an SGs interface associated with a VLR which is planned for maintenance mode. When the **sgs offload** command is set on the MME, all sessions matching this VLR are marked with a "VLR offload" flag. During the next UE activity, the MME requires each UE to perform a combined TAU/LAU. This feature is available to all VLRs, both non-pooled VLRs and those configured within an MME LAC pool area.

The VLR offload functionality and MME offload functionality cannot be activated at the same time.

## Active VLR Offloading

Active VLR Offloading provides all of the functionality of Passive VLR Offloading, but also actively detaches UEs associated with the VLR during an operator-specified time period. This expedites the process of offloading UEs prior to a planned VLR maintenance event. This feature is available to all VLRs, both non-pooled VLRs and those configured within an MME LAC pool area.

The VLR offload functionality and MME offload functionality cannot be activated at the same time.

## UE Detach on VLR Recovery

The MME supports the ability to perform a controlled release of UEs when a failed VLR becomes active again. This feature is available to all VLRs, both non-pooled VLRs and those configured within an MME LAC pool area.

This applies to UEs that are currently registered as EPS-Only. This enables the UE to return to a combined attached state to restore SMS services.

## UE Detach on VLR Failure

The MME supports the ability to perform a controlled release of UEs when an active VLR connection fails. This applies to CSFB UEs that are currently registered to the VLR that failed. This feature is available to all VLRs, both non-pooled VLRs and those configured within an MME LAC pool area.

This enables the UE to return to a combined attached state on a different VLR.

## VLR Round-Robin Load Balancing

When multiple VLRs in the same pool are configured in the MME, and when one VLR fails, the subscribers on the failed VLR get attached to only one of the surviving VLRs. As a result, the subscribers are not distributed evenly across the surviving VLRs. The round-robin balancing algorithm is used to distribute subscribers across multiple available VLRs. VLR round-robin load balance is configurable through the CLI.

The MME allocates a VLR in the pool using the Round-robin algorithm for VLR offload (Active and Passive) and VLR failure cases. However, the MME does not use any form of load balancing if the default VLR is configured in pool area through **hash-value non-configured-value use-vlr** *vlr\_name*. The default VLR setting takes precedence over the next available or round-robin load balance setting. By default, Round Robin Load Balancing is disabled.



---

**Note** The MME displays a warning message, if the default VLR is already configured while trying to configure the VLR Round-robin Load Balancing.

---

## Configuring VLR Offloading

### Enabling Passive VLR Offloading

The following Exec mode command instructs the MME to mark UEs associated with the specified VLR with a "VLR offload" flag. This enables the MME to preemptively move subscribers away from an VLR which is scheduled to be put in maintenance mode.

```
sgs offload sgs-service service-name vlr vlr-name start time-duration 0 [ -noconfirm ]
```

The following command stops the marking of subscribers associated with the specified VLR to an offload state.

```
sgs offload sgs-service service-name vlr vlr-name stop [ -noconfirm ]
```

Notes:

- A **time-duration** value of 0 enables Passive VLR Offloading only.
- More than one VLR may be offloaded at the same time.
- VLR Offloading and MME offloading cannot be performed at the same time.

## Enabling Active VLR Offloading

The following Exec mode command instructs the MME to mark UEs associated with the specified VLR with a "VLR offload" flag, and begin detaching these UEs according to the time-duration specified in the command. Affected UEs are detached and required to reattach to another VLR.

```
sgs offload sgs-service service-name vlr vlr-name start time-duration duration
[ -noconfirm ]
```

The following command stops active VLR offloading for UEs associated with the specified VLR.

```
sgs offload sgs-service service-name vlr vlr-name stop [ -noconfirm ]
```

Notes:

- A **start time-duration** *duration* entry must be an integer from 1 through 3000 to enables Active VLR Offloading and Passive VLR Offloading. The MME splits this time duration into *n* intervals, 5 seconds apart. A maximum of 50 subscribers will be actively detached per interval per session manager. For example, a setting of 5 minutes with 600 subscribers in a session manager (from the given VLR) would detach 10 subscribers per 5-second interval. Node level detach rate should be estimated by taking into account the number of session manager tasks. Any subscribers remaining at the expiry of the time-duration will not be detached, but will be marked with the "VLR offload" flag.
- VLR Offloading and MME offloading cannot be performed at the same time.

## Configuring VLR Round-Robin Load Balance

Use the following configuration to enable VLR round-robin load balance:

```
configure
  context context_name
    sgs-service sgs_svc_name
      offload method { round-robin | next-available }
    end
```

NOTES:

- **sgs-service** *sgs\_svc\_name*: Configures the SGs Service.
- **offload method { round-robin | next-available }**: Configures the round-robin or next-available load balancing method for affected sessions during VLR offload or failure.

## Verifying VLR Offload Status and Configuration

The following command displays VLR offload statistics for the specified SGs service.

```
show sgs-service offload-status service-name sgs_svc_name
```

The following sample output shows VLR Offload related statistics.

```
show sgs-service offload-status service-name sgssvc
VLR Name           : vlr1
VLR Offload        : Yes
Offloaded Count    : 31678
Total Count        : 43051
VLR Name           : vlr2
VLR Offload        : No
```

```
Offloaded Count      : 0
Total Count         : 45789
```

To clear the counters displayed by the previous command, issue the following command.

```
clear sgs-service offload-status service-name sgs_svc_name
```

When Passive or Active VLR Offload is enabled, the following command displays the "VLR Offload" flag for the specified VLR.

```
show mme-service session vlr-name vlr_name
```

The following output shows the VLR Offload flag enabled.

```
show mme-service session vlr-name vlrl
  CSFB Information:
    SGS Assoc State:   SGS-ASSOCIATED
    SGS Service:      sgssvc
    VLR:              vlrl
    LAI:              123:456:200
    Pool Area:        pool1
    Non-Pool Area:    N/A
    P-TMSI:           0x1
    Flags:
  VLR Reliable Indicator
  VLR Offload
```

The following command shows the offload state of all VLRs on the system.

```
show sgs-service vlr-status full
show sgs-service vlr-status full
MMEMGR                : Instance 6
MME Reset              : Yes
Service ID            : 2
Peer ID               : 100794369
VLR Name              : vlrl
SGS Service Name      : test
SGS Service Address   : 192.60.60.25
SGS Service Port      : 29118
VLR IP Address        : 192.60.60.6
VLR Psgsort           : 29118
Assoc State           : DOWN
Assoc State Up Count  : 2
VLR Offload           : No
```

To clear the counters displayed by the previous command, issue either of the following commands. The first command clears statistics for all VLRs, while the second command clears statistics for the specified VLR only.

```
clear sgs-service vlr-status service-name sgs_svc_name
clear sgs-service vlr-status vlr-name vlr_name
```

## Enabling UE Detach on VLR Failure or VLR Recover

### UE Detach on VLR Recovery

The following Exec mode command instructs the MME to automatically perform active recovery of UEs when a failed VLR becomes responsive again.

```
sgs vlr-recover sgs-service sgs_svc_name duration duration backoff-timer time
[ -noconfirm ]
```

Notes:

- When this command is issued, the MME monitors the availability of all VLRs. If a failed VLR become available again, the MME attempts to recover UEs that failed while the VLR was unavailable with an EPS Detach.
- When a VLR is down, and a UE needs to associate with the VLR that went down, the UE will be downgraded to EPS-Only-Attach when initially attaching. This command should be issued after the VLR recovers.
- UEs which required CSFB (voice) and were downgraded as a result of the VLR being down will not be affected by this command. This command remains active until it is disabled with the **no sgs vlr-recover** command.
- **duration duration** Specifies the number of minutes during which all qualifying UEs will be recovered. The MME splits this duration into  $n$  intervals, 5 seconds apart. A maximum of 50 subscribers are processed per interval per session manager. For example, a setting of 5 minutes with 600 subscribers in a session manager (from a given VLR) would result in the session manager processing 10 subscribers per 5-second interval. Node level detach rate should be estimated by taking into account the number of session manager tasks. Any subscribers remaining at the expiry of the duration will not be processed.
- **backoff-timer time** Specifies the number of seconds that the MME will wait, following the detection of a recovered VLR, before starting the VLR recovery actions.
- Refer to the *sgs vlr-recover* command in the Exec Mode chapter of the *Command Line Interface Reference* for more information.

The command listed below disables the **sgs vlr-recover** functionality.

```
no sgs vlr-recover sgs-service sgs_svc_name [ -noconfirm ]
```

## UE Detach on VLR Failure

This functionality can be enabled manually, on an as-needed basis, using an Exec mode command, or it can be made a persistent configuration via an SGs Service Configuration Mode command. The following two sections describe how to configure each method (automatic and manual).



### Important

The MME will report a command line interface error (Invalid operation: VLR already set for failure.) if an attempt is made to configure/enable both methods simultaneously.

## Configuring Automatic UE Detach on VLR Failure

The following commands configure the MME to automatically detect a VLR failure and initiate the controlled release of CSFB UEs. The configuration of this feature also allows a UE detach rate (UEs per second) to be defined.

```
configure
  context context_name
    sgs-service sgs_svc_name
```

```

    vlr-failure duration minutes backoff-timer seconds detach-rate number
[ -noconfirm ]
    end

```

The following commands disable this configuration:

```

configure
  context context_name
    sgs-service sgs_svc_name
      no vlr-failure [ -noconfirm ]
    end

```

Refer to the **vlr-failure** command in the *MME SGs Service Configuration Mode Commands* chapter of the *Command Line Interface Reference* for more information.

## Manually Enabling UE Detach on VLR Failure

The following Exec mode command instructs the MME to perform controlled release of CSFB UEs connected to a VLR when a VLR becomes unavailable.

```

sgs vlr-failure sgs-service sgs_svc_name duration duration in backoff-timer time
[ -noconfirm ]

```

Notes:

- When enabled, the MME monitors the availability of all VLRs. If one or more VLRs become unavailable, the MME performs a controlled release (EPS IMSI detach) for all UEs associated with that VLR. If another VLR is available, the MME sends a combined TA/LA Update with IMSI attach.
- **duration** *duration* Specifies the number of minutes during which all qualifying UEs will be detached. Enter an integer from 1 to 3000.

The MME splits this duration into *n* intervals, 5 seconds apart. A maximum of 50 subscribers are processed per interval by each session manager. For example, a setting of 5 minutes with 600 subscribers in a session manager (from a given VLR) would result in the session manager processing 10 subscribers per 5-second interval. Node level detach rate should be estimated by taking into account the number of session manager tasks. Any subscribers remaining at the expiry of the duration will not be processed.

- **backoff-timer** *time* Specifies the number of seconds the MME will wait following the detection of a VLR condition before starting the controlled release of affected UEs. Enter an integer from 1 through 3000.
- **detach-rate** This optional keyword specifies a maximum number of detaches to perform per 5 second cycle. **Note:** This keyword is available only for the **vlr-failure** command in the SGs Configuration Mode. For example, if 12,000 subscribers are to be detached during a 5 minute window (duration = 5 minutes), the MME calculates 60 cycles (5 minutes / 5-second cycles) which results in 200 UEs to detach per cycle. If the detach-rate is configured to 100, the MME will only detach 100 per 5 second cycle, resulting in a total of 6000 detaches. Any remaining UEs will remain attached until detached by other means (UE/network detach, etc).

The enabling command remains active until it is disabled with the following command:

```

no sgs vlr-failure sgs-service sgs_svc_name [ -noconfirm ]

```

Refer to the **sgs vlr-failure** command in the *Exec Mode (D-S)* chapter of the *Command Line Interface Reference* for more information.

## Verifying UE Detach on VLR Failure/Recovery Status and Configuration

Use the following command to display the offload status of all VLRs on the system.

**show sgs-service vlr-status full**

This sample output shows the fields relating to UE Detach on VLR Failure and UE Detach on VLR Recover. Not all fields shown below may be displayed, based on your configuration:

```
show sgs-service vlr-status full
Exec Configured VLR Failure Detach : No           Detached Count : 0           Total : 0

SGs Service Configured
  VLR Failure Detach : Yes           Detached Count : 10          Total : 800
  VLR Recover Detach : Yes          Detached Count : 11          Total : 102
```

To clear the counters displayed by the previous command, issue either of the following commands. The first command clears statistics for all VLRs for the specified SG, while the second command clears statistics for the specified VLR only.

```
clear sgs-service vlr-status service-name sgs_svc_name
clear sgs-service vlr-status vlr-name vlr_name
```

## Monitoring and Troubleshooting VLR Offload

### SNMP Traps

The following traps are generated to track conditions relating to VLR associations:

The VLR down trap is raised only after the VLR goes to the DOWN state after being UP. When all VLR's are down after at least one has been UP, the all VLR's DOWN trap is raised.

- **starVLRAssocDown** and **starVLRAssocUp** - indicates a condition when an association of a VLR is down (VLRAssocDown), and when a down association comes back up (VLRAssocUp).
- **starVLRDown** and **starVLRUp** - indicates a condition where **all** SCTP associations to a specific VLR are down (VLRDown), and when a down VLR comes back up (VLRUp).
- **starVLRAllAssocDown** and **starVLRAllAssocDownClear** - indicates a condition when **all** SCTP associations of **all** VLRs are down (VLRAllAssocDown), and when a down association comes back up (VLRAllAssocDownClear).

### Bulk Statistics

This SGs schema provides operational statistics that can be used for monitoring and troubleshooting the SGs connections on a per-VLR basis.

Refer to the *SGs Schema Statistics* chapter of the *Statistics and Counters Reference* for detailed explanations of all bulk statistics provided in this schema.

### Show Command(s) and/or Outputs

This section provides information regarding show commands and/or their outputs.



## VLR Offload Status

The following command shows the status of the VLR offload process for the specified SGs service.

```
show sgs-service offload-status service-name sgs_svc_name
```

The following command shows the status and configuration information of all VLRs on the system.

```
show sgs-service vlr-status full
```

## UE Detach on VLR Recovery and VLR Failure

The following command shows the statistics resulting from the **sgs vlr-recover** and **sgs vlr-failure** commands.

```
show sgs-service vlr-status full
```

Refer to the *show sgs-service* chapter of the *Statistics and Counters Reference* for detailed explanations of all information displayed by this command.





# CHAPTER 111

## Troubleshooting the MME Service

This chapter provides information and instructions for using the system command line interface (CLI) for troubleshooting issues that may arise during service operation.

- [Test Commands, on page 985](#)

### Test Commands

In the event that an issue was discovered with an installed application or line card, depending on the severity, it may be necessary to take corrective action.

The system provides several redundancy and fail-over mechanisms to address issues with application and line cards in order to minimize system downtime and data loss. These mechanisms are described in the sections that follow.

### Using the eGTPC Test Echo Command

This command tests the eGTP service's ability to exchange eGTPC packets with the specified peer which can be useful for troubleshooting and/or monitoring.

The test is performed by the system sending eGTP-C echo request messages to the specified peer(s) and waiting for a response.



**Important** This command must be executed from within the context in which at least one eGTP service is configured.

The command has the following syntax:

```
egtpc test echo peer-address peer_ip_address src-address egtp_svc_ip_address
```

Keyword/Variable	Description
<b>peer-address</b> <i>peer_ip_address</i>	Specifies that eGTP-C echo requests will be sent to a specific peer (HSS). <i>ip_address</i> is the address of the HSS receiving the requests.
<b>src-address</b> <i>egtp_svc_ip_address</i>	Specifies the IP address of a S6a interface configured on the system in eGTP service. <b>NOTE:</b> The IP address of the system's S6a interface must be bound to a configured service prior to executing this command.

The following example displays a sample of this command's output showing a successful eGTPC echo-test from an eGTP service bound to address 192.168.157.32 to an HSS with an address of 192.168.157.2.

```
EGTPC test echo
-----
Peer: 172.10.10.2      Tx/Rx: 1/1  RTT(ms): 2    (COMPLETE) Recovery: 10 (0x0A)
```



# CHAPTER 112

## Timeout Exclusion from CSFB Counters

- [Feature Summary and Revision History, on page 987](#)
- [Feature Description, on page 988](#)
- [Enabling and Disabling Voice and SMS for Paging Re-transmission Timeout, on page 988](#)
- [Show Command and Output, on page 988](#)

### Feature Summary and Revision History

#### Summary Data

Applicable Product(s) or Functional Area	MME
Applicable Platform(s)	<ul style="list-style-type: none"><li>• ASR 5500</li><li>• VPC-DI</li><li>• VPC-SI</li></ul>
Feature Default	Enabled- Always-on
Related Changes in This Release	Not applicable
Related Documentation	<ul style="list-style-type: none"><li>• <i>MME Administration Guide</i></li><li>• <i>Statistics and Counters Reference</i></li></ul>

#### Revision History

Revision Details	Release
First Introduced	21.23

## Feature Description

Degradation occurs in the network statistics when there is specific Mobile Terminated (MT) Circuit Switch Fallback (CSFB) paging request timeout error occur. When the UE (User Equipment) is in idle mode, the MME to eNB CSFB based paging requests are ignored by the eNB. This results in MME recording the specific MT CSFB paging request timeout error and thus paging re-transmission timeout error gets incremented in the relevant MT CSFB failure bulkstat counters.

To ignore the paging re-transmission timeout error being incremented in the relevant MT CSFB failure bulkstat counters, the following new configuration commands are implemented under mme-service:

1. `count csfb-mt-voice-paging timeouts`
2. `count csfb-mt-sms-paging timeouts`

These new commands instruct the MME to ignore the recording of this specific MT CSFB paging request timeout error in the bulkstat counters “csfb-nw-voice-failures” and “csfb-nw-sms-failures” respectively.

## Enabling and Disabling Voice and SMS for Paging Re-transmission Timeout

Use the following configuration commands to enable and disable voice and SMS for paging re-transmission timeout:

```
config
  context context_name
    mme-service service_name
      [ no ]count csfb-mt-voice-paging timeouts
      [ no ]count csfb-mt-sms-paging timeouts
    end
```

### NOTES:

- **count csfb-mt-voice-paging timeouts:** Configures specific MT CSFB Voice paging request timeout error.
- **count csfb-mt-sms-paging timeouts:** Configures specific MT CSFB SMS paging request timeout error.

## Show Command and Output

**show mme-service all|name**

The output of this command displays the two new parameters under mme-service and there status are as follows:

- csfb-nw-voice-pagingt imeouts: Enabled/Disabled
- csfb-nw-sms-paging timeouts: Enabled/Disabled

The current bulkstat counters “csfb-nw-voice-failures” and “csfb-nw-sms-failures” can be verified either through the bulkstats feature or the “show mme-service statistics” command as normal.







# CHAPTER 113

## Monitor the MME Service

- [Overview, on page 991](#)
- [Monitoring System Status and Performance, on page 991](#)
- [Clearing Statistics and Counters, on page 993](#)

### Overview

This chapter provides information for monitoring service status and performance using the **show** commands found in the Command Line Interface (CLI). These command have many related keywords that allow them to provide useful information on all aspects of the system ranging from current software configuration through call activity and status.

The selection of keywords described in this chapter is intended to provided the most useful and in-depth information for monitoring the system. For additional information on these and other **show** command keywords, refer to the Command Line Interface Reference.

In addition to the CLI, the system supports the sending of Simple Network Management Protocol (SNMP) traps that indicate status and alarm conditions. Refer to the SNMP MIB Reference Guide for a detailed listing of these traps.

### Monitoring System Status and Performance

This section contains commands used to monitor the status of tasks, managers, applications and other software components in the system. Output descriptions for most of the commands are located in the Counters and Statistics Reference.

**Table 63: System Status and Performance Monitoring Commands**

To do this:	Enter this command:
<b>View Session Statistics and Information</b>	
Display Session Resource Status	
View session resource status	<b>show resources session</b>
Display Historical Session Counter Information	
View all historical information for all sample intervals	<b>show session counters historical</b>

To do this:	Enter this command:
Display Session Duration Statistics	
View session duration statistics	<b>show session duration</b>
Display Session State Statistics	
View session state statistics	<b>show session progress</b>
Display Session Subsystem and Task Statistics	
Refer to the System Software Tasks appendix of the <i>System Administration Guide</i> for additional information on the Session subsystem and its various manager tasks.	
View AAA Manager statistics	<b>show session subsystem facility aaamgr all</b>
View MME Manager statistics	<b>show session subsystem facility mmemgr all</b>
View Session Manager statistics	<b>show session subsystem facility sessmgr all</b>
View MME Application statistics	<b>show logs facility mme-app</b>
View MME HSS Service facility statistics	<b>show logs facility mme-hss</b>
View MME miscellaneous logging facility statistics	<b>show logs facility mme-misc</b>
View MME Demux Manager logging facility statistics	<b>show logs facility mmedemux</b>
Display Session Disconnect Reasons	
View session disconnect reasons with verbose output	<b>show session disconnect-reasons</b>
<b>View MME Service Statistics</b>	
Display MME Service Session Statistics	
View MME service session state	<b>show mme-service session full</b>
View MME service session statistics	<b>show mme-service counters</b>
View MME database statistics for all instances of DB	<b>show mme-service db statistics</b>
View individual MME service statistics in concise mode	<b>show mme-service statistics mme-service mme_svc...</b>
<b>View HSS Statistics</b>	
View HSS session summary	<b>show hss-peer-service session summary all</b>
View HSS session statistics	<b>show hss-peer-service statistics all</b>
<b>View eGTPC Statistics</b>	
View eGTPC peer information	<b>show egtpc peers interface sgw-egress address ip_ad...</b>
View eGTPC session information	<b>show egtpc sessions</b>
View eGTPC session statistics	<b>show egtpc statistics</b>
<b>View Subscriber Session Trace Statistics</b>	
View session trace statistics for subscriber with specific trace reference id on an MME	<b>show session trace subscriber reference-id trace_re...</b> <b>network-element mme</b>

To do this:	Enter this command:
View Trace Collection Entity connections and statistics for all network elements	<b>show session trace tce-summary</b>

## Clearing Statistics and Counters

It may be necessary to periodically clear statistics and counters in order to gather new information. The system provides the ability to clear statistics and counters based on their grouping (MME, MME-HSS, MME DB, etc.).

Statistics and counters can be cleared using the CLI **clear** command. Refer to the *Command Line Reference* for detailed information on using this command.





# APPENDIX A

## Engineering Rules

---

This section provides engineering rules or guidelines that must be considered prior to configuring the system for your network deployment.

- [Service Engineering Rules, on page 995](#)
- [Node Engineering Rules, on page 996](#)
- [APN Engineering Rules, on page 997](#)

## Service Engineering Rules

The engineering rules listed here apply to the services configurations for the MME system.

- A maximum combined total of 256 services (regardless of type) can be configured per system.



---

**Important**

Maintaining a large number of services increases the complexity of management and may impact overall system performance (i.e., resulting from such things as system handoffs). Therefore, we recommend that you limit the number of services that you configure and that you talk to your Cisco Service Representative for optimization suggestions and additional information on service limits.

---

- The total number of entries per table and per chassis is limited to 256.
- Of the 256 possible services, the MME supports a maximum total combination of eight (8) MME-specific services, of the types MME + eMBMS + SGs+ SBc + SLs -service, be configured per chassis.
- The maximum number of HSS Peer Services that can be created and configured is 96 HSS Peer Services per MME chassis.



---

**Important**

In some cases, two diameter endpoints (S6a and S13) can be configured for a single HSS Peer Service. To ensure peak system performance, we recommend that the total of all Diameter endpoints should be taken into consideration and limited to 64 endpoints.

---

- When a roaming subscriber uses dynamic destination Host length equal or greater than 64 bytes, it results in initial request intended to that HSS peer that leads to ATTACH REJECTS. To avoid rejection of roaming subscribers, use the length of the dynamic hostname to not more than 64 characters.
- *We strongly recommend that service names be unique across the chassis/system configuration.* Even though service names can be identical to those configured in different contexts on the same system, this is not a good practice. Having services with the same name can lead to confusion, difficulty troubleshooting problems, and make it difficult to understand the outputs of show commands.

## Node Engineering Rules

The following engineering rules apply regarding the number of nodes supported on the system.

### eNodeBs:

- In Release 18.0 and higher, the MME supports a maximum of 64,000 eNodeB connections on the ASR 5500 DPC platform, with a fully loaded system (chassis).
- In Release 19.2, the MME supports a maximum of 64,000 eNodeB connections on the ASR 5500 DPC2 platform with a fully loaded system (chassis).
- In Release 20.0, the MME supports a maximum of 128,000 eNodeB connections on the ASR 5500 DPC2 platform with a fully loaded system (chassis).

Release 17.0 and higher:

- The MME supports a maximum of 64,000 eNodeB connections on the ASR 5500 platform with a fully loaded system (chassis).

### MME Managers

- In Release 17.0, The maximum number of MME Managers has been increased to 16 in order to support the increase in eNodeB connections.
- In Release 18.0, the maximum number of MME Managers is increased to 24 on the ASR 5500 DPC platform in order to support the increase in eNodeB connections.
- In Release 19.2, the maximum number of MME Managers is increased to 36 on the ASR 5500 DPC2 platform in order to support the increase in eNodeB connections.
- In Release 21.1, the maximum number of MME Managers is increased to 36 on the ASR 5500 DPC1 platform in order to support the increase in eNodeB connections.

## MME Task Instance Limit

This section describes the task instance limit for MME managers and IMSI managers.

Table 64: Task Instance Limit for MME Managers

Platform	Default number of MME Managers per Chassis			Maximum number of MME Managers per Chassis		
	v19.2	v20.0	v21.0	v19.2	v20.0	v21.0
StarOS Release						
ASR 5500 with DPC	24	24	24	24	24	36
ASR 5500 with DPC2	36	36	48	36	36	48
VPC-SI MEDIUM/LARGE	2	2	2	2	2	2
VPC-SI SMALL, VPC-SI FORGE	1	1	1	1	1	1
VPC-DI MEDIUM/LARGE	24	48	48	24	48	48
ASR 5700	24	24	24	24	24	24

Table 65: Task Instance Limit for IMSI Managers

Platform	Default number of IMSI Managers per Chassis			Maximum number of IMSI Managers per Chassis		
	v19.2	v20.0	v21.0	v19.2	v20.0	v21.0
Release						
ASR 5500 with DPC	4	4	4	4	4	4
ASR 5500 with DPC2	4	4	8	4	4	8
VPC-SI MEDIUM/LARGE	1	1	1	1	1	1
VPC-SI SMALL, VPC-SI FORGE	1	1	1	1	1	1
VPC-DI MEDIUM/LARGE	4	4	4	4	4	4
ASR 5700	4	4	4	4	4	4

## APN Engineering Rules

The following engineering rules apply to APN configuration on the MME:

- APNs must be configured within the context used for authentication.
- A maximum of 1,024 APNs can be configured per system.
- A maximum of 300 entries can be defined for an APN Remap Table.

