

# Get to Know the RV340 Dual-WAN VPN Router

## Introduction



This article aims to provide a "what's in the box?" style product specifications about the RV340 Dual-WAN VPN Router. For a more in depth look, [click here to view the RV34X series consolidated Data Sheet.](#)

The RV340 Dual-WAN VPN Router is an easy-to-use, flexible, high-performance device well suited for small businesses. With added security features, such as Web Filtering, Application Control, and IP Source Guard, the new RV340 delivers highly secure, broadband, wired connectivity to small offices and remote employees. These new security features also provide the ease of fine tuning permitted activity on the network.

**Note:** To view a "back of the box" style article about the RV340 Dual-WAN VPN Router, [click here.](#)

## Product Features

- Application control to secure your network through sets of application policies
- Web filtering to guard against malicious or non-work related websites. Filtering more than 27 billions URLs.
- Content filtering to restrict access to certain websites.
- Teleworker Client for the on-the-go worker.
- IP Security (IPsec) site-to-site VPN helps enables secure connectivity for remote employees and multiple offices.
- Strong security: Proven stateful packet inspection (SPI) firewall and hardware encryption.
- Dual WAN ports
- Dual USB ports for backup and restore, and for 3G/4G modem failover or alternative primary connectivity.
- High-performance Gigabit Ethernet ports, enabling large file transfers and multiple users.
- Simple installation and intuitive web-based utility
- FindIT Network Management Support
- Industry-leading support

## Package Contents



a)



b)



c)



d)



e)



f)



g)



h)



i)

a) RV340 Dual-WAN VPN Router

b) Ethernet cable

c) Quick Start Guide

d) Power Adapter

e) Console Cable

f) 2 Mount-rack Brackets

g) 8 mounting screws

h) Anchors and Screws

i) Foam Pads

## Minimum Requirements

- A switch or router that has PoE support, PoE injector, or AC power adapter
- Java-enabled web browser for the web-based configuration

## Default Settings

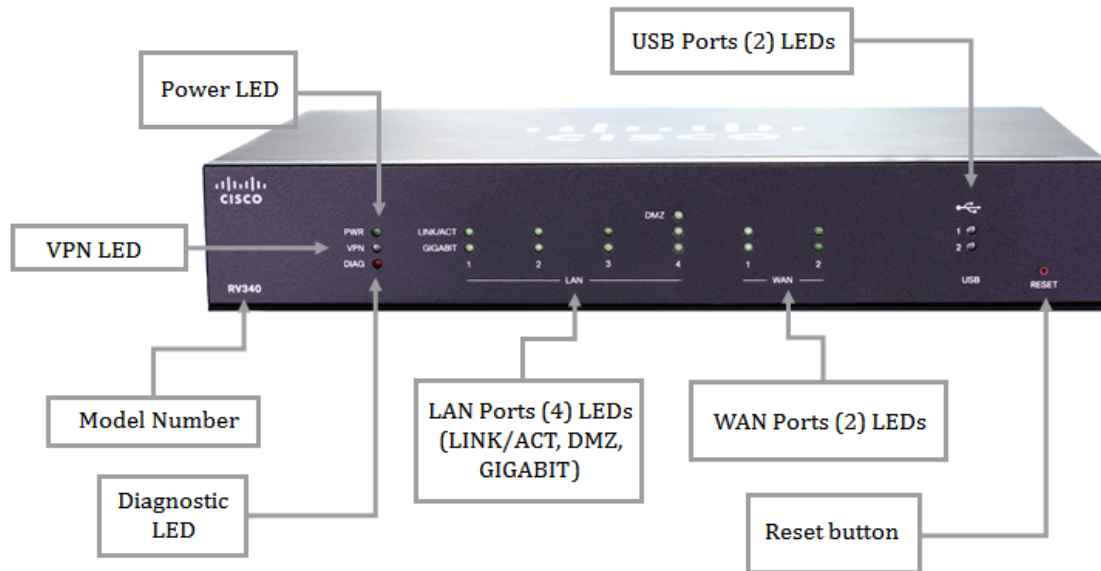
Parameter	Default Value
Username	cisco
Password	cisco
LAN IP Address	192.168.1.1
Fallback LAN IP	192.168.1.1
Subnetwork Mask	255.255.255.0

## Product Views

### Front Panel View

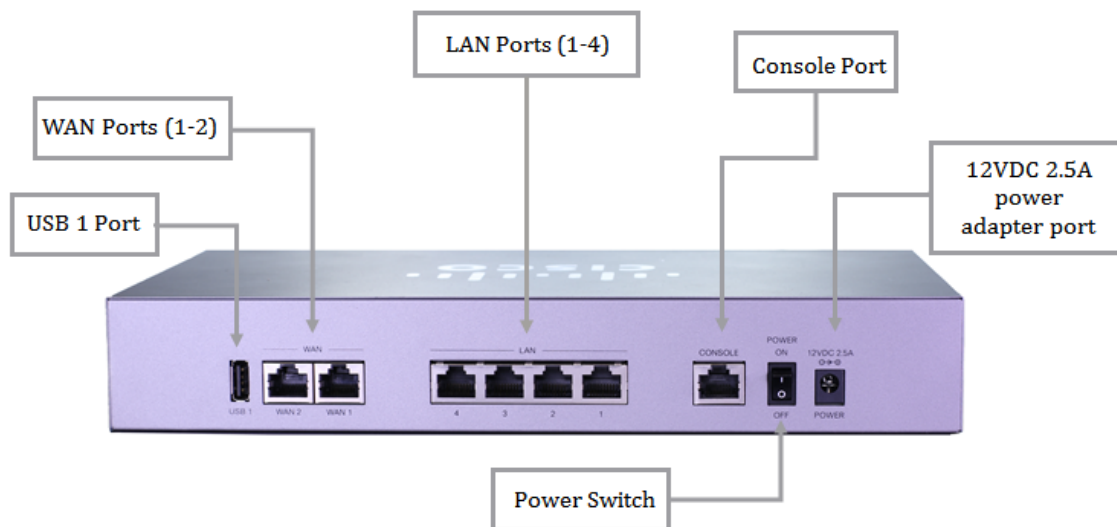
The front panel shows the model number, the Reset button and several LEDs for Power,

VPN, Diagnostics, LAN, WAN, and USB.



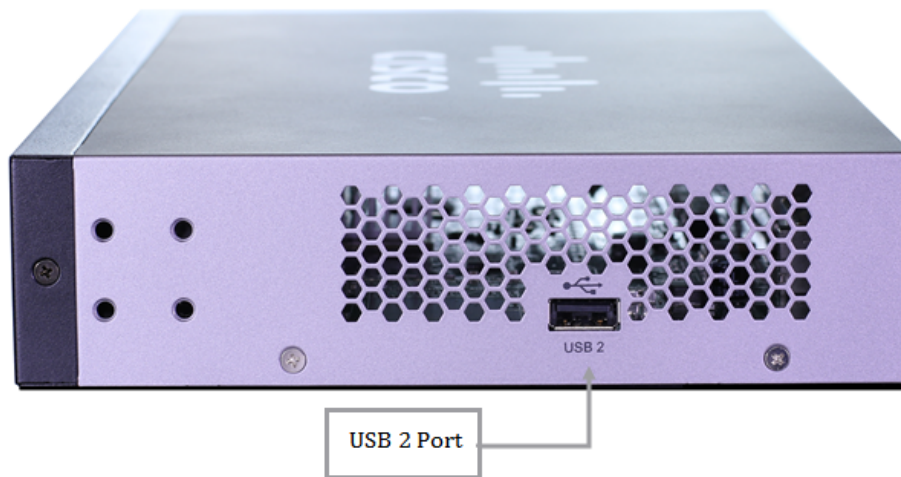
### Back Panel View

The back panel shows the USB 1 port, WAN ports 1 and 2, LAN ports 1 to 4, console port, On and Off switch, and the 12VDC 2.5A power adapter port.



### Right Side Panel View

The right side panel shows the second USB port.



## Technical Details

### Status LEDs

This LED indicates the status of the device depending on what state it is in.

Function	LED Name	LED Behavior
LINK/ACT and Speed	Top LED LAN1-4	GREEN OFF – No link is detected Blinking – Link is detected, Rx/TX Data
GIGABIT	Bottom LED LAN1-4	GREEN OFF – 10 M/100 M link is detected or no link Solid – 1000 M link is detected
Power	PWR	GREEN OFF – Device is powered OFF. Solid – Powered ON and booted. Blinking – Booting
DMZ	DMZ	GREEN OFF – Device is OFF or DMZ is disabled. Solid – DMZ is enabled.
VPN	VPN LED	GREEN OFF – No power or no VPN tunnel has been defined or all VPN tunnels have been disabled. Solid – At least one VPN tunnel is up. Blinking – Rx/TX Data Amber Solid – No enabled VPN is up.

Diagnostic	DIAG	<p>RED  OFF – No power or about to boot.  Slow blinking – Firmware is upgrading.  Fast blinking – The firmware upgrading is failing.  Solid – System has failed to boot with both active and inactive firmware images or in rescue mode.</p>
USB	USB 1 and USB 2	<p>GREEN  OFF – No power or no USB detected, or USB connected but not recognized.  Solid – USB is connected to the ISP and USB is recognized.  Blinking – Rx/TX Data</p>

**Note:** To know more about the product specifications of the RV340, click [here](#).

## Related Content

- [Configure Power over Ethernet \(PoE\) Settings on the RV345P Router](#)
- [Configure Application Control on the RV34x Series Router](#)
- [Configure Content Filter on the RV34x Series Router](#)
- [Configure IP Source Guard on the RV34x Series Router](#)
- [Configure System Log Settings on the RV34x Series Router](#)
- [Manage Schedules on the RV34x Series Router](#)

**View a video related to this article...**

[Click here to view other Tech Talks from Cisco](#)