


FM-SECTOR-90-HV

 Fluidmesh is now part of Cisco.

Sector 5-20 2x2 H+V

FM-SECTOR-90-HV are addressing customer requirements for exceptional RF performance, co-location noise resistance, ease of installation and cost efficiency. Our antennas feature an innovative patent pending Back-Shield™ system of frequency selective reflectors that are incorporated into the antenna structure to attenuate side lobes and backside near field radiation. All FM-SECTOR-90-HV sectors are designed with independent horizontal and vertical polarization antenna elements for unmatched RF performance.



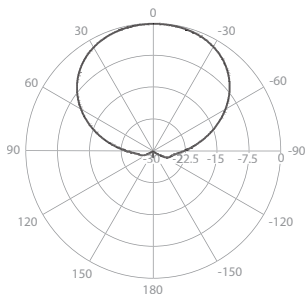
PHYSICAL

Antenna connection	2x RP-SMA on integrated semi-flex pigtailed
Antenna type	5 GHz 20 dBi
Environmental	IP55
Temperature	-26°C to +60°C (-15°F to +140°F)
Wind survival	160 km/hour
Wind loading	160 N at 160 km/hour
Electrical downtilt	0°
Pole mounting diameter	max 85 mm
Weight	3.1 kg / 6.8 lbs – single unit 4.1 kg / 9 lbs – single unit incl. package
Single unit	Retail Box: 115 x 10 x 22 cm

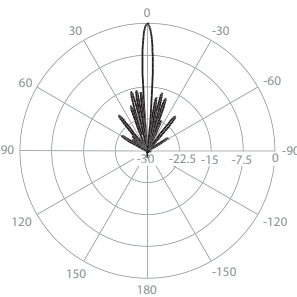
PERFORMANCE

Frequency Range	5450 - 5850 MHz
Gain	19.7 dBi
Polarization	Dual Linear H + V
Azimuth Beam Width -3 dB	H 74° / V 74°
Elevation Beam Width -3 dB	H 4° / V 4°
Azimuth Beam Width -6 dB	H 96° / V 100°
Elevation Beam Width -6 dB	H 5° / V 5°
Front-to-Back Ratio (Min)	29 dB
Cross Pol Isolation	H 21 dB / V 21 dB
Impedance	50 Ohm
VSWR Max	1.8
VSWR Typical	1.35
Isolation Between Ports	27 dB

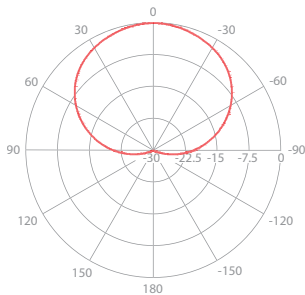
Azimuth Pattern H



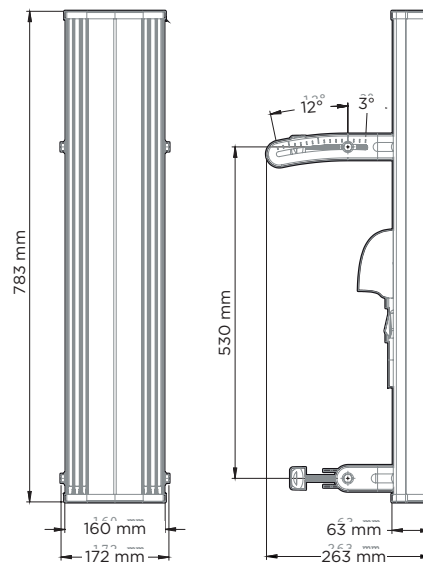
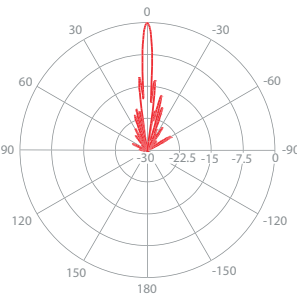
Elevation Pattern H



Azimuth Pattern V



Elevation Pattern V



Fluidmesh Networks products are installed locally by professional System Integrators and are available worldwide through a network of Authorized Dealers. For additional information please call +1.617.209.6080 or visit us at fluidmesh.com



HEADQUARTERS.
81 PROSPECT ST.
BROOKLYN
NY 11201, USA

TELEPHONE.
+1.617.209.6080
FAX.
+1.866.458.1522

EMAIL.
INFO@FLUIDMESH.COM
WEB.
FLUIDMESH.COM