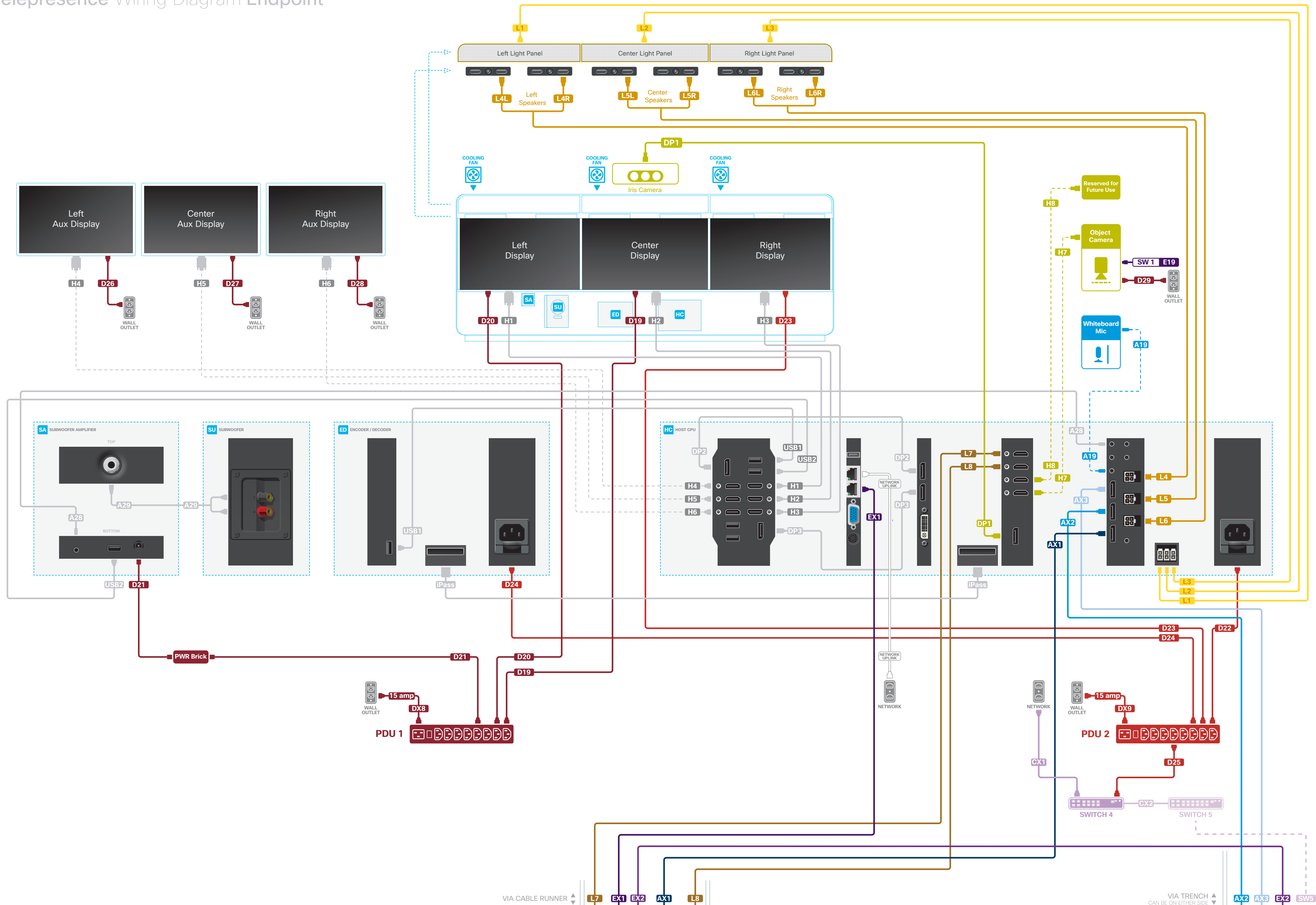


Telepresence Wiring Diagram Endpoint



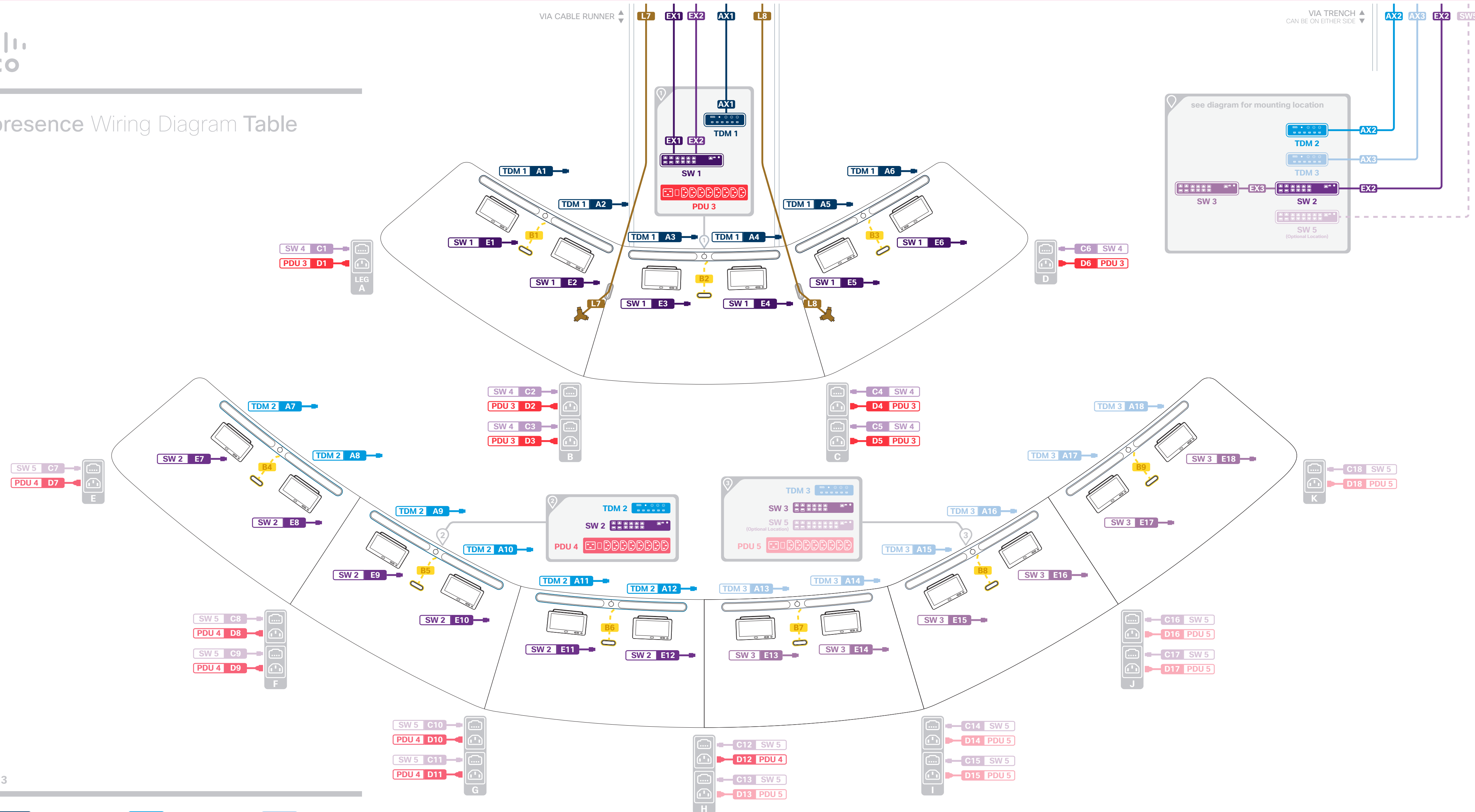
VIA CABLE RUNNER L7 EX1 EX2 AX1 L8

VIA TRENCH CAN BE ON EITHER SIDE AX2 AX3 EX2 SW5

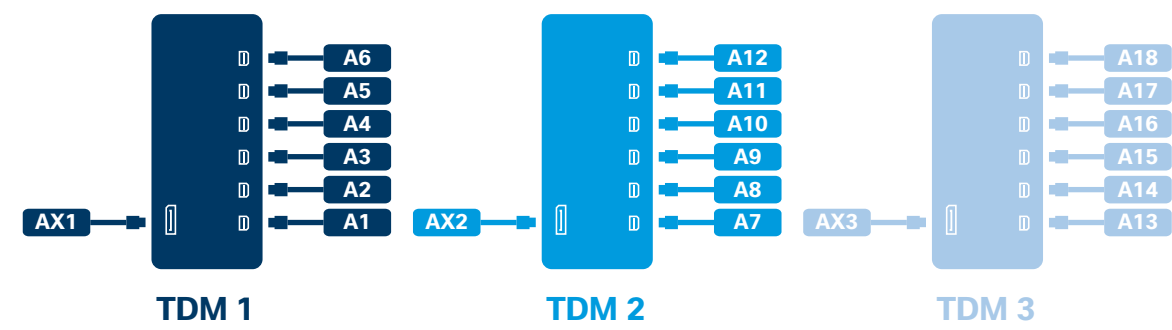
Telepresence Wiring Diagram Table

VIA CABLE RUNNER

VIA TRENCH CAN BE ON EITHER SIDE

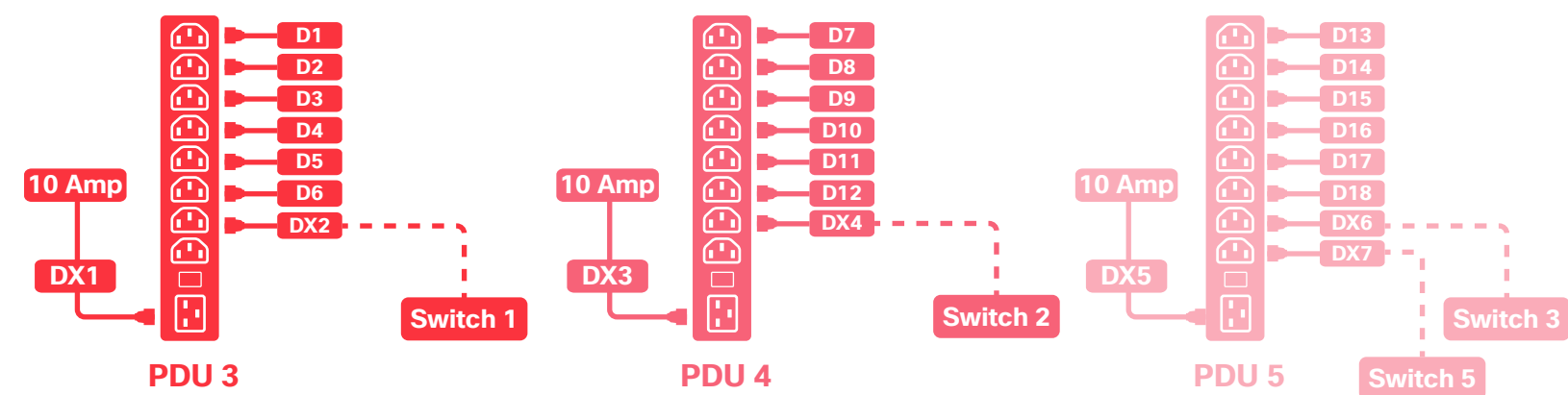


TDM 1 - 3

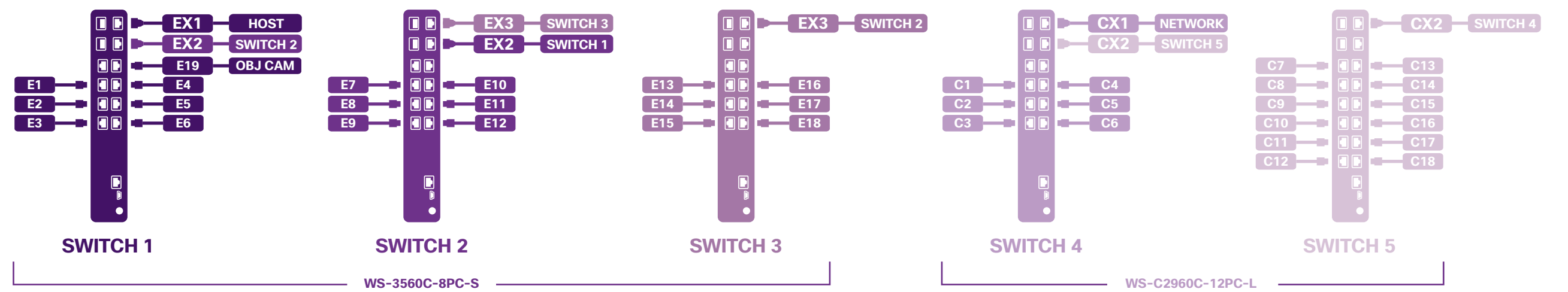


PDU 3 - 5

Follow Diagram For Correct Load Balancing Per PDU



SWITCHES 1 - 5





COLOR: Pantone 428 C



COLOR: Pantone 2617 C



COLOR: Pantone 526 C



COLOR: Pantone 7440 C



COLOR: 522 C



COLOR: Pantone 524 C



COLOR: Pantone 202 C



COLOR: Pantone 7620 C



COLOR: Pantone Red 032 C



COLOR: Pantone 709 C



COLOR: Pantone 700 C



COLOR: Pantone 2955 C



COLOR: Pantone 2925 C



COLOR: Pantone 277 C



COLOR: Pantone 7558 C



COLOR: Pantone 117 C



COLOR: Pantone 115 C



COLOR: Pantone 390 C