



The SX80 codec offers the flexibility to video enable any meeting space.

Cisco offers the SX80 codec as a single unit or in integrator packages.

A single unit is delivered with power cable and basic mounting parts.

An integrator package contains:

- Cisco TelePresence SX80 codec
- Cisco TelePresence Touch 10 control panel
- Cisco cameras and microphones at your choice
- Power adapters and power cables
- PoE rated Ethernet cable for Touch 10
- Custom cables
- Basic mounting parts

Screen, loudspeakers, and standard cables (Ethernet and HDMI) are not included.

The SX80 codec supports up to three screens, eight microphones and three sets of stereo loudspeakers. The codec supports up to seven cameras provided that you add a video switcher. The codec itself has four input connectors that can be used simultaneously for cameras, lap tops and other input sources.

Room setup

Explore the Cisco Project Workplace to find inspiration and guidelines when preparing your office or meeting room for video conferencing, <https://www.cisco.com/go/projectworkplace>

Documentation

Visit one of these websites to find out more about setup, management, and use of this product:

<https://help.webex.com>

<https://www.cisco.com/go/sx-docs>

Use the first link if your device is registered to the Cisco Webex service and the second link if the device is registered to another service.

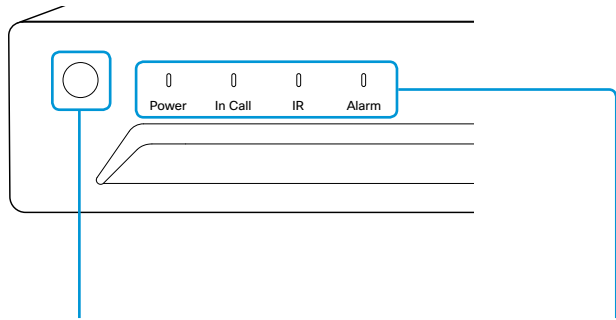
EMC class A declaration

WARNING: This is a class A product. In a domestic environment this product may cause radio interference in which case the user may be required to take adequate measures.

警告

此为 A 级产品。在生活环境中，该产品可能会造成无线电干扰。在这种情况下，可能需要用户对干扰采取切实可行的措施。

Front panel



Shutdown

Front panel LEDs

- | | |
|---------|---|
| Power | Blinks when the system is starting up.
Steady light when the codec is ready for use.
Pulsates when the codec is in standby. |
| In Call | Steady light when in call. |
| IR | Not in use. |
| Alarm | Lights steady when a serious error occurs. |

Attach rubber feet or mount the codec in a rack

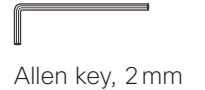
Place the codec on a plane surface, or mount it in a standard rack.

On a plane surface

Attach the provided rubber feet on the bottom of the codec.
Place them in the recess in each corner.

In a standard rack

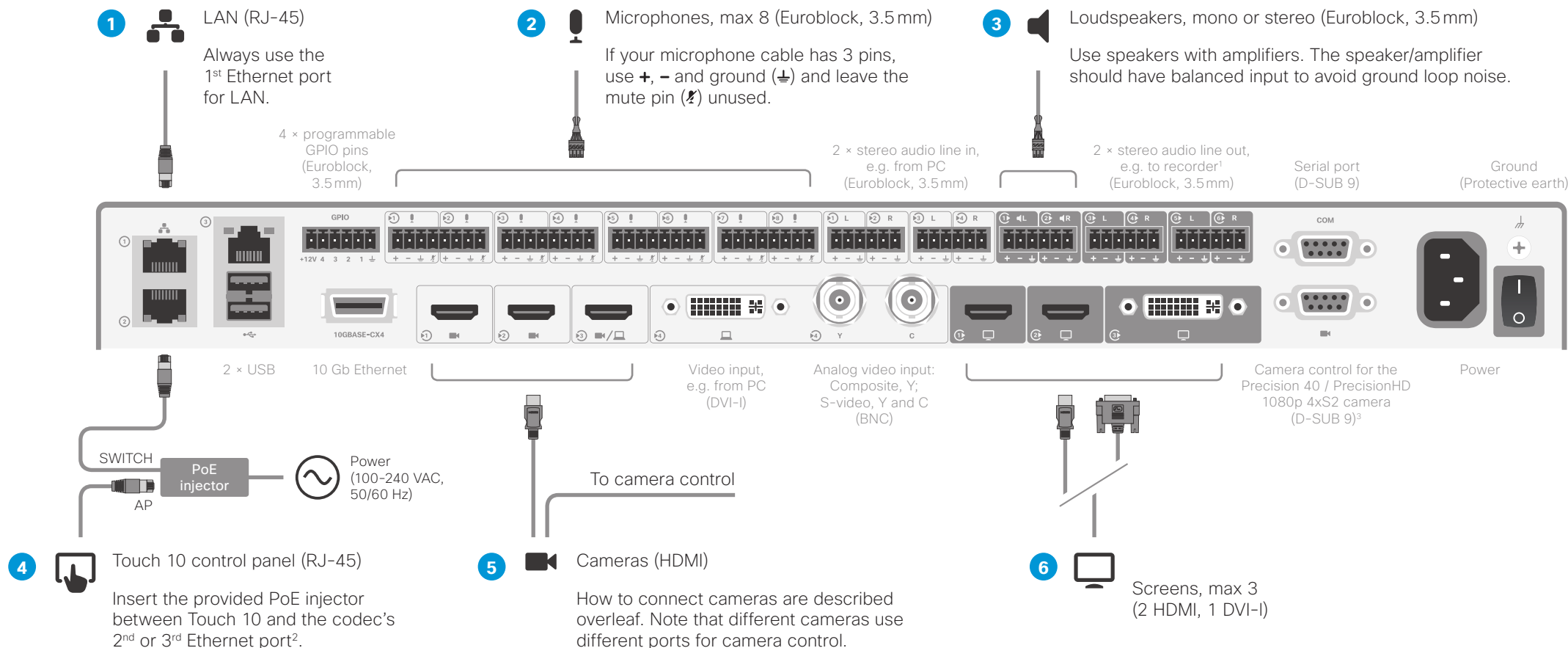
Fasten the provided rack ears to the codec using four screws.
The screws are pre-mounted in the codec. Use the Allen key to remove the screws, put the rack ears in place, and fasten them with the same screws (see illustration).



Fasten the codec with rack ears to the rack with screws matching your rack (not provided).

Connect to LAN, microphones, loudspeakers, Touch 10, cameras and screens

Make sure all units are switched off when connecting or disconnecting cables.



About the 2nd and 3rd Ethernet port

The codec's 2nd and 3rd Ethernet ports should be used for the Touch 10 control panel, as well as for the Cisco's SpeakerTrack 60, Precision 60, and Quad cameras.

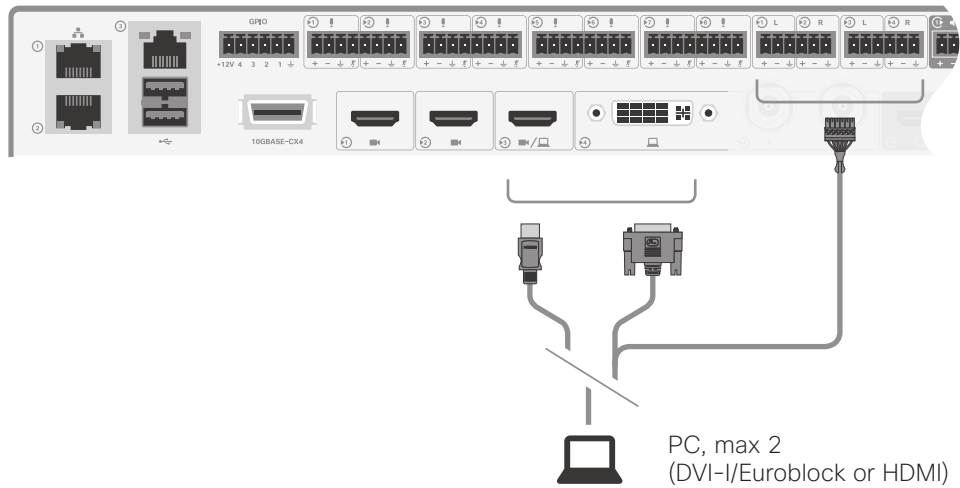
Connect a network switch to the codec's 2nd or 3rd Ethernet port, if you need more than two ports to support your devices.

¹ The audio line outputs may be configured to be used for loudspeakers.

² The Ethernet connector is at the rear of Touch 10. The Ethernet cable between Touch 10 and the PoE injector must be PoE rated (provided). The Ethernet cable between the PoE injector and the codec is not required to be PoE rated (not provided).

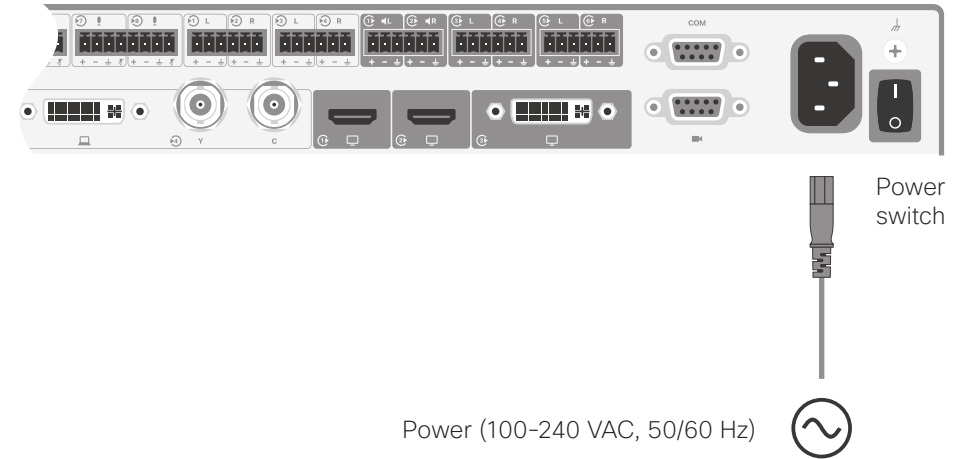
³ There is no DC power output from the camera control port. Use an external power supply for the camera.

Connect a PC (optional)



- 7 Connect a PC to the codec, in order to share content locally or with conference participants.

Start using the system



Always use the provided power cable.
The codec inlet or the wall socket outlet must be easily accessible after installation.

- 8 Connect to power, then switch on the system.

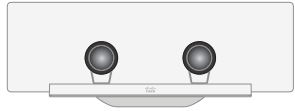
Wait while the codec starts up. Normally this takes a few minutes. It may include automatic software upgrade and restart of Touch 10 and camera(s).

Follow the instructions on screen:

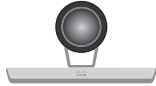
- Cisco Webex: To find more information on how to get started, visit <https://help.webex.com> and look for Getting Started articles for room devices.
- Other services: For further information on set-up and configuration, download the *Getting Started Guide* from the Cisco web site, <https://www.cisco.com/go/sx-docs>

About cameras

You can connect cameras, lap tops, and other input sources to the video inputs of the codec. The codec has three HDMI inputs, a DVI-I input, and an analog input (the DVI-I and analog inputs cannot be used simultaneously). If you need more inputs, you must add a video switcher. Cisco provides the following cameras:



Cisco TelePresence SpeakerTrack 60
Based on two Cisco TelePresence Precision 60 cameras and a microphone panel for speaker tracking.



Cisco TelePresence Precision 60
A full HD camera with 1080p60 resolution, 20x total zoom, and wide angle view.



**Cisco TelePresence Precision 40 /
Cisco TelePresence PrecisionHD 1080p 4xS2⁴**
A full HD camera with 1080p60 resolution and 4x optical zoom.



Cisco Quad Camera
A full HD camera with microphones for speaker tracking, auto-framing capabilities, and integrated loudspeakers.

You can use any combination of these cameras, as long as only one camera supports speaker tracking, and the maximum number of cameras does not exceed seven⁵.

For more details about the Cisco cameras, refer to camera guides that are available at <https://www.cisco.com/go/telepresence/docs>

Connect Cisco Quad Camera

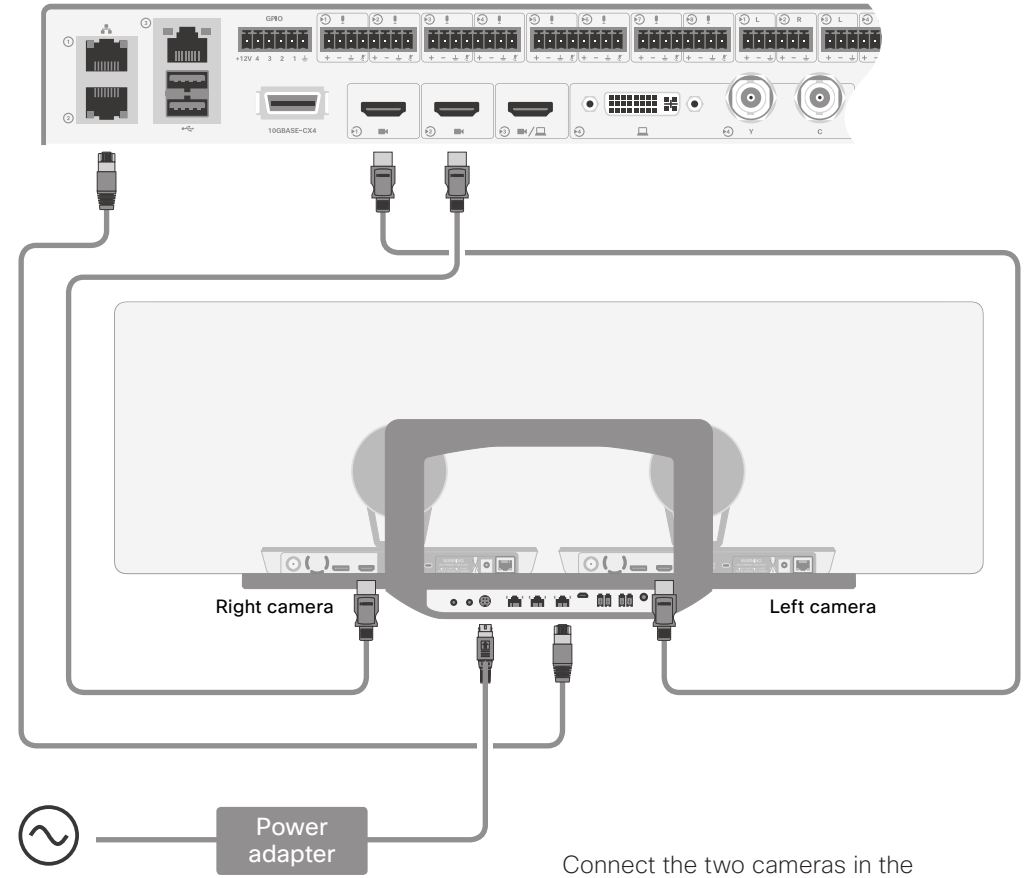
There is a separate installation guide that covers the SX80 with Quad Camera: *Cisco TelePresence SX80 Integrator Package with Quad Camera Installation Guide*.

⁴ This camera is sold under two names. There is no difference.

⁵ Note that Cisco TelePresence SpeakerTrack 60 is composed of two cameras.

⁶ Note that the camera surface is hot when the camera is in operation.

Connect Cisco TelePresence SpeakerTrack 60



Power
(100-240 VAC, 50/60 Hz)

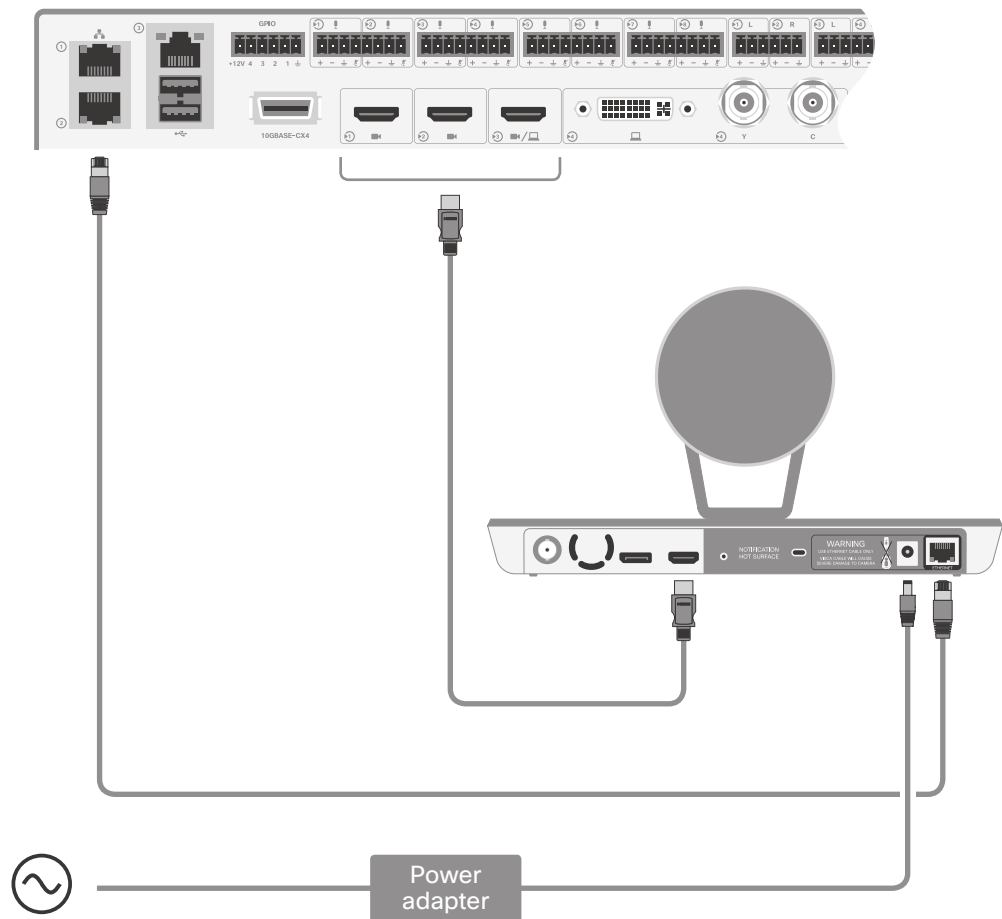
Always use the provided power cable and adapter (12 V_{DC}, minimum 6.5 A).

Connect the two cameras in the SpeakerTrack 60 assembly to the codec's 1st and 2nd camera inputs (HDMI).

Also connect SpeakerTrack 60 to the codec's 2nd or 3rd Ethernet port, and to power.⁶

Refer to the installation guide that comes with SpeakerTrack 60 for further information about camera assembly and cabling.

Connect Cisco TelePresence Precision 60



Power
(100–240 VAC, 50/60 Hz)

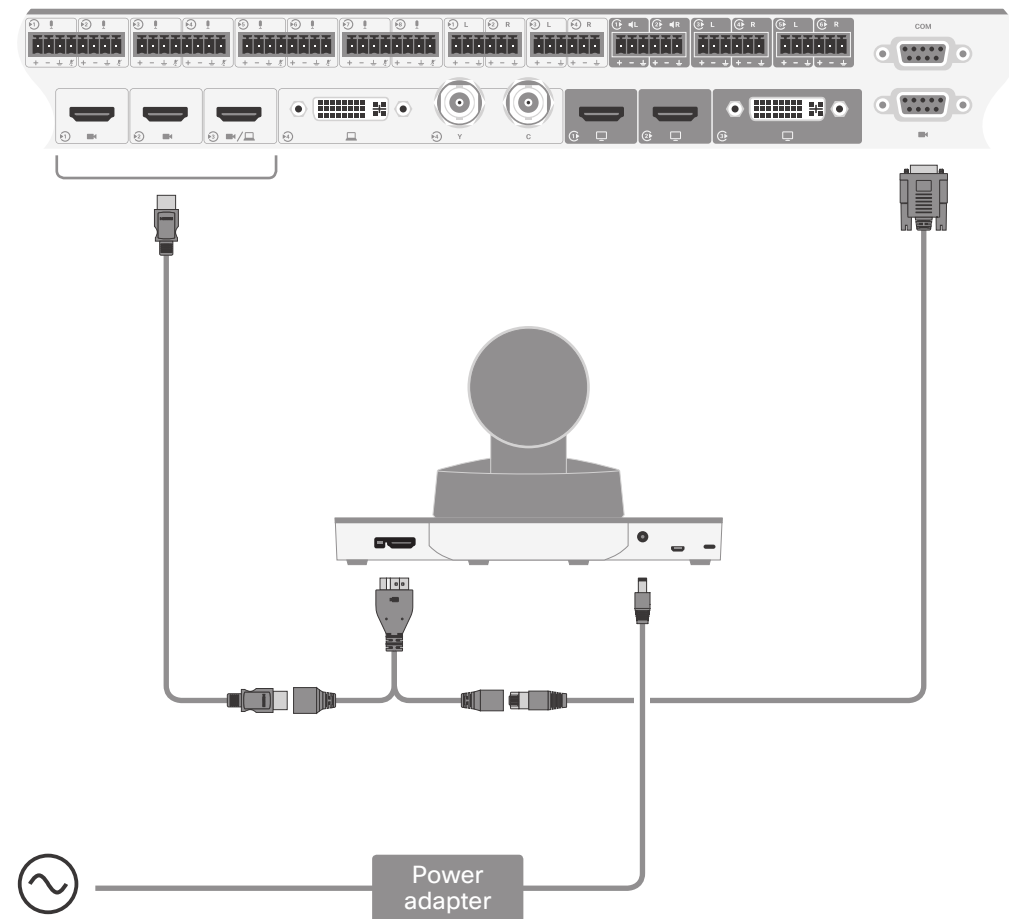
⚠ Always use the provided power cable and adapter (12V_{DC}, minimum 3A).

Connect the camera to one of the codec's camera inputs (HDMI).

Cisco recommends using the 1st camera input for the main camera.

Also connect the camera to the codec's 2nd or 3rd Ethernet port, and to power.⁶

Connect Cisco TelePresence Precision 40 / Cisco TelePresence PrecisionHD 1080p 4xS2



Power
(100–240 VAC, 50/60 Hz)

⚠ Always use the provided power cable and adapter (12V_{DC}, minimum 2A).

Connect the camera to one of the codec's camera inputs (HDMI).

Cisco recommends using the 1st camera input for the main camera.

Also connect the camera to the codec's dedicated camera control port (D-SUB 9), and to power.



Cisco has more than 200 offices worldwide.

Find an overview of the offices on the Cisco web site at <https://www.cisco.com/go/offices>

Cisco and the Cisco logo are trademarks or registered trademarks of Cisco and/or its affiliates in the U.S. and other countries. To view a list of Cisco trademarks, go to this URL: www.cisco.com/go/trademarks. Third-party trademarks mentioned are the property of their respective owners. The use of the word partner does not imply a partnership relationship between Cisco and any other company. (1110R)