

Cisco Room Navigator

Material recycling and recovery for the table stand and wall mount version



Introduction

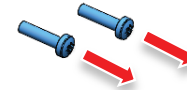
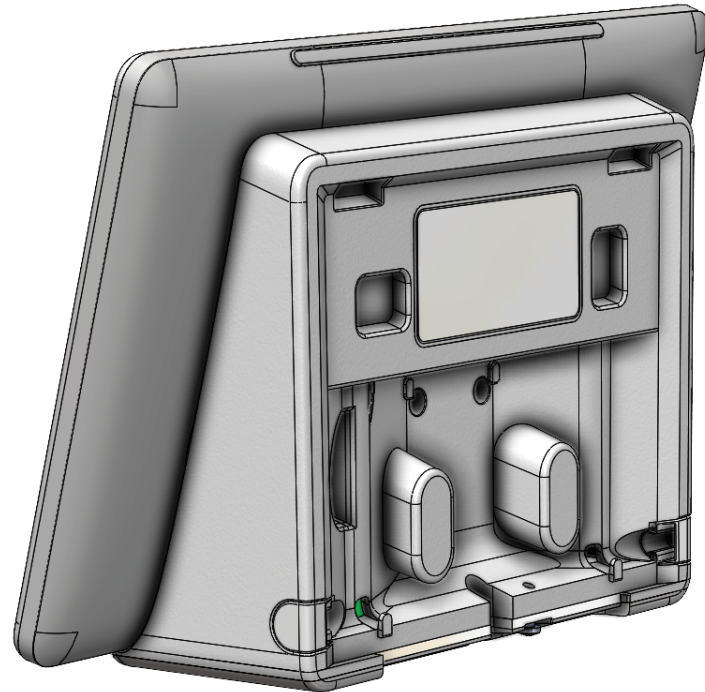
This guide is intended to help in the disassembly of the Cisco Room Navigator according to the Design for dismantling, recycling and recovery requirements – as described in section D.1 of EU Lot 5 (Commission Regulation 2019/2021 of October 2019).

Following the steps in this guide gives access to the product's printed circuit board and liquid crystal display.

Information in this guide is only for aiding the professional removal of the above mentioned components, for the purpose of material recycling and recovery. **Any warranty or support services will be void if Room Navigator reparations are carried out by a different party than Cisco.**

Step 1: Disassemble the wall mount

For the table stand version, go directly to step 4.

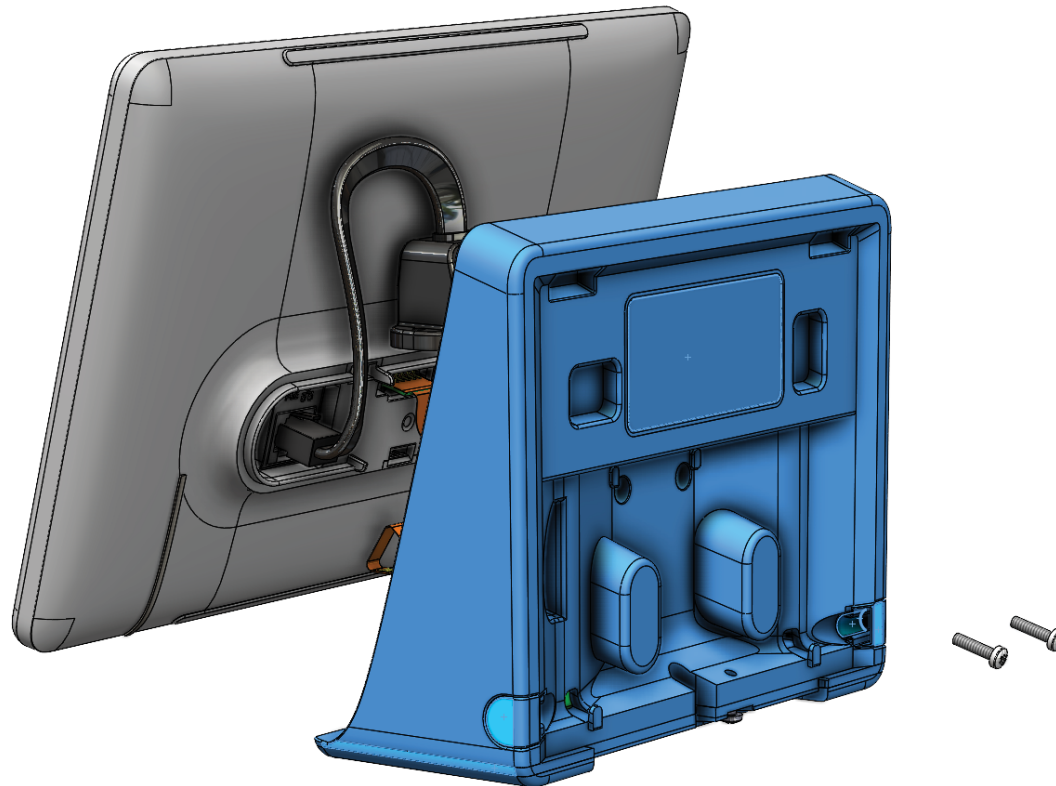


 Torx 8

Step 2: Disassemble the wall mount

Wall mount snap-off sequence:

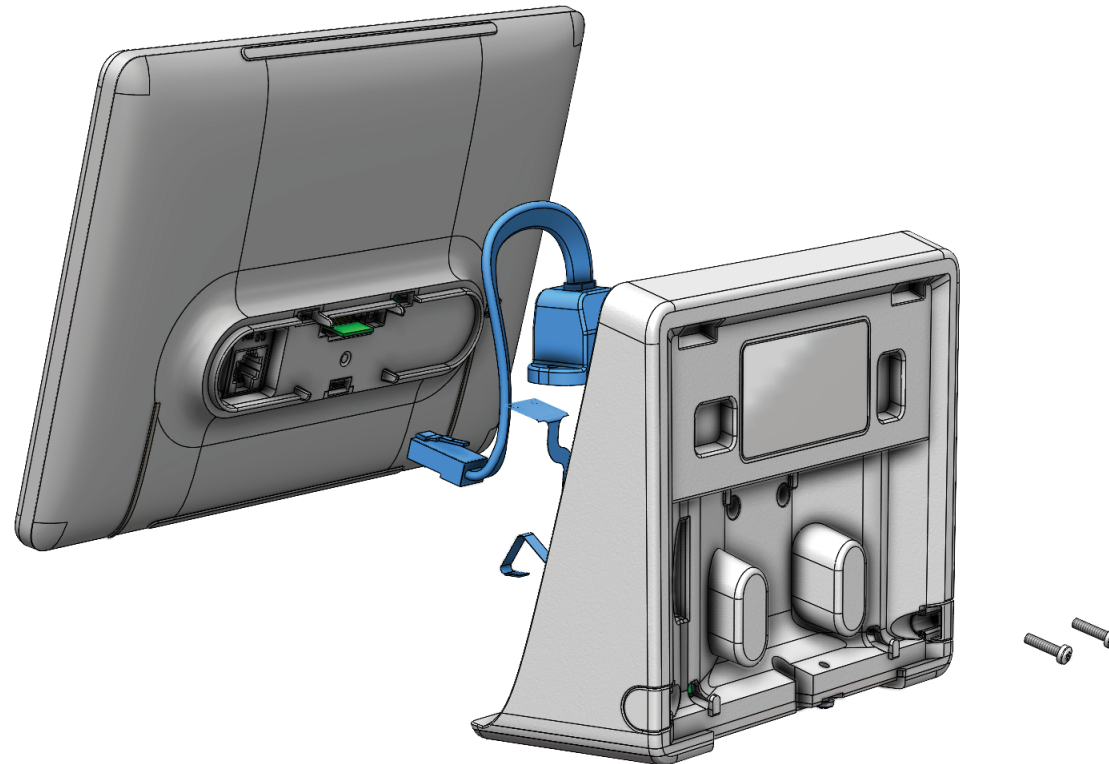
Apply force and snap off the wall mount.



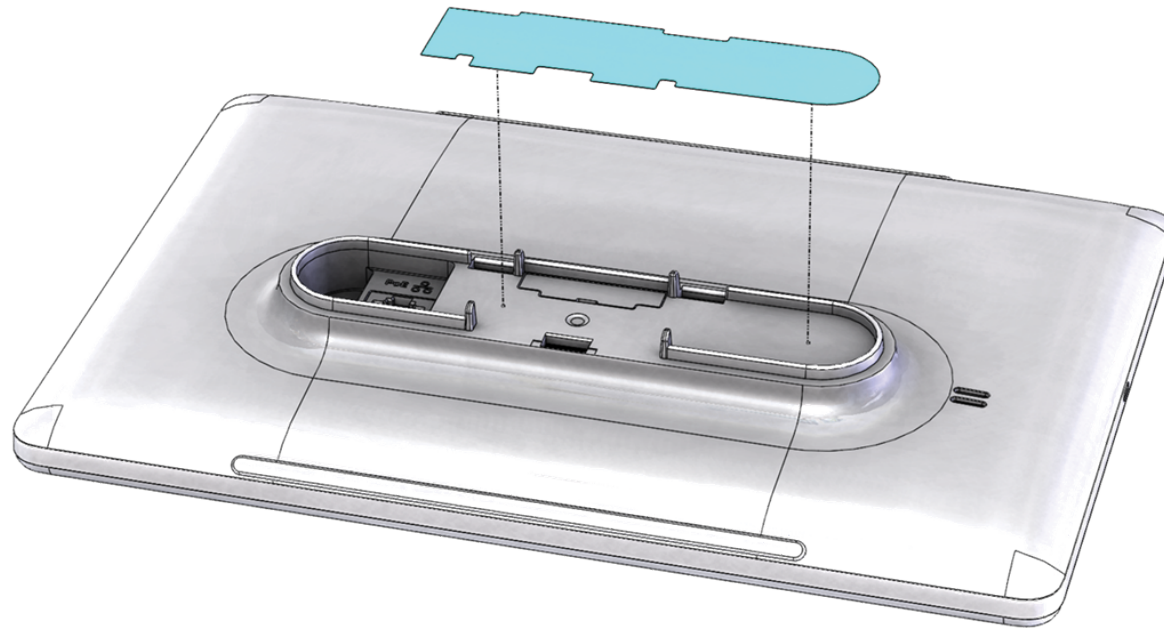
Step 3: Disassemble the wall mount

Remove cables:

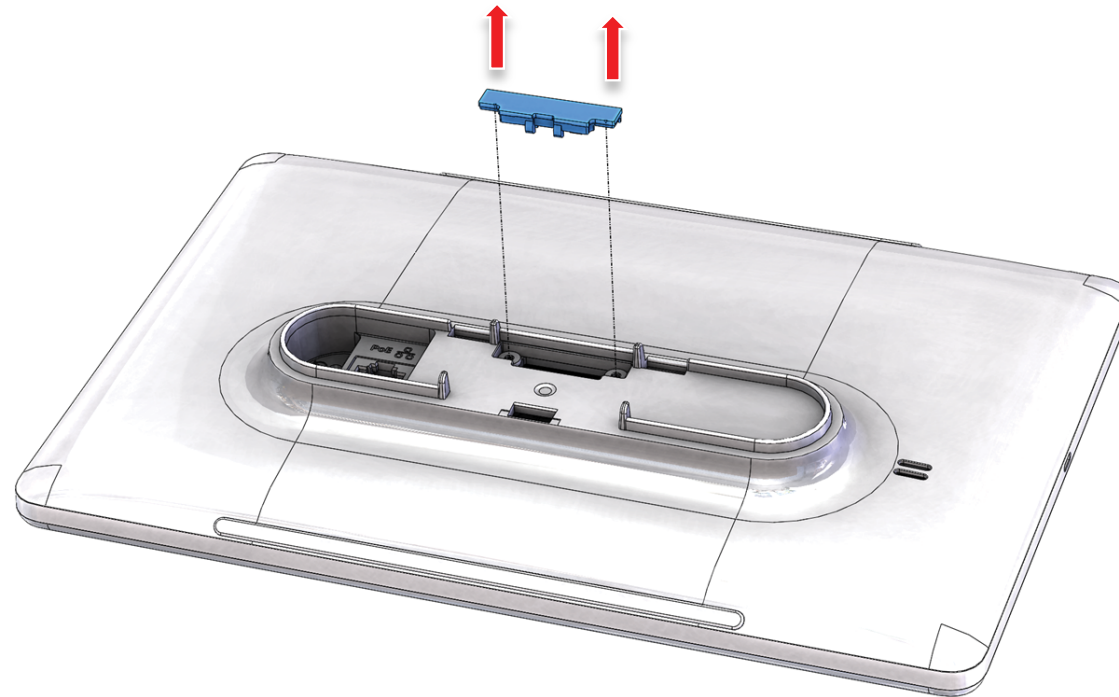
Release the RJ45 connector and FPC cable.



Step 4: Remove the table stand POD label

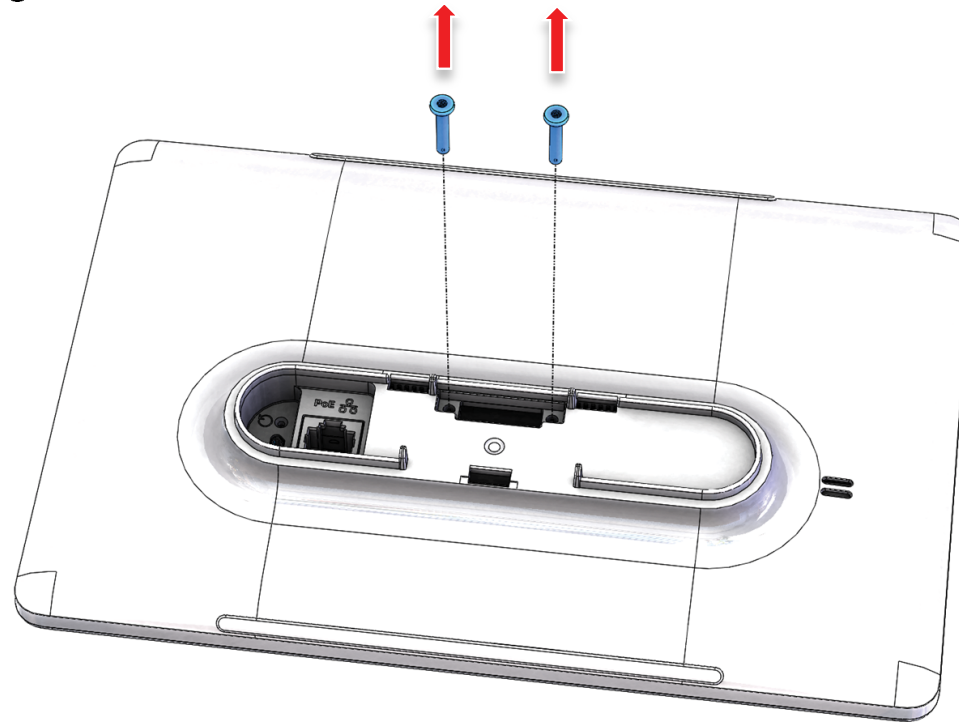


Step 5: Remove the connector cover



Step 6: Remove back cover screws

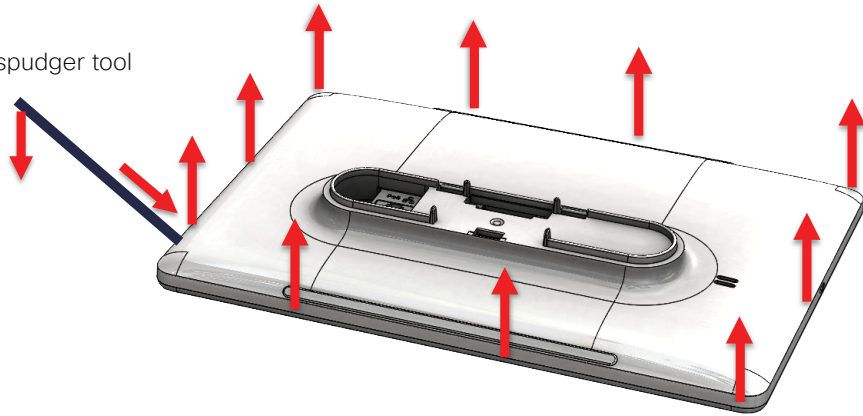
↑ Torx 8



Step 7: Disassemble the back cover

1

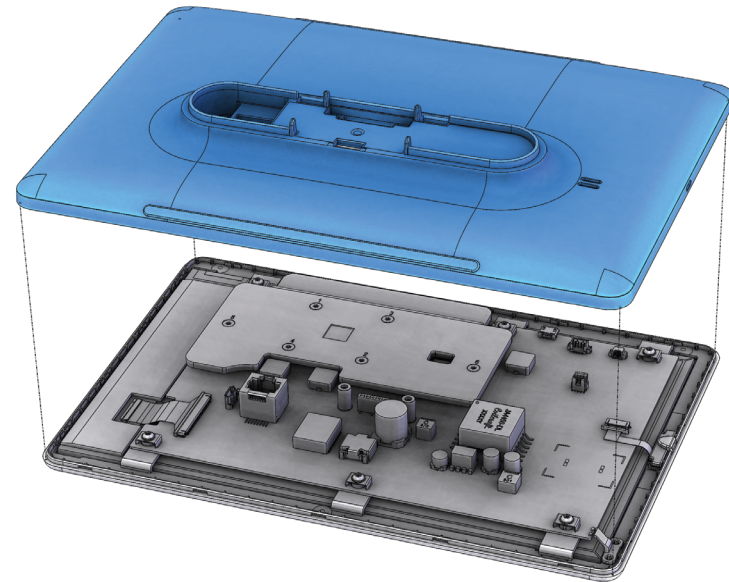
Plastic spudger tool



Back cover snap-off sequence:

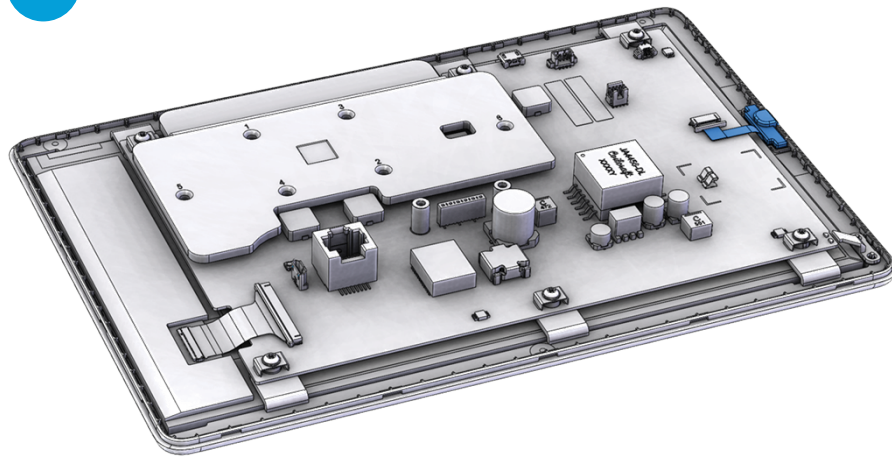
The back cover snaps are placed in these areas. Start removing the cover in the corner with a plastic triangle plectrum/plastic spudger tool or similar and have the cover glass resting on a flat surface.

2

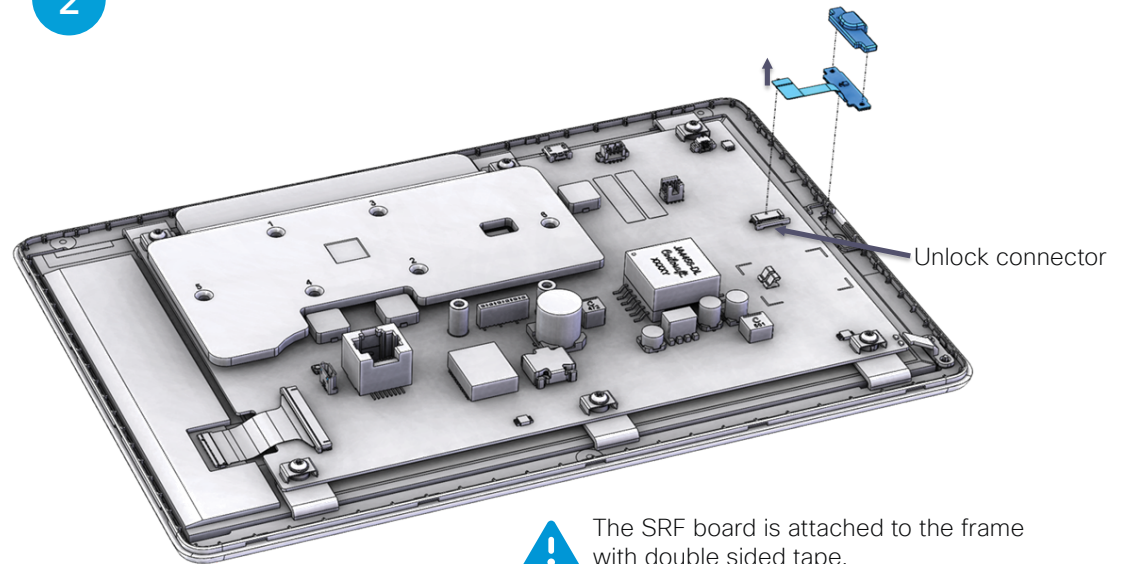


Step 8: Remove the SRF board and sensor

1



2

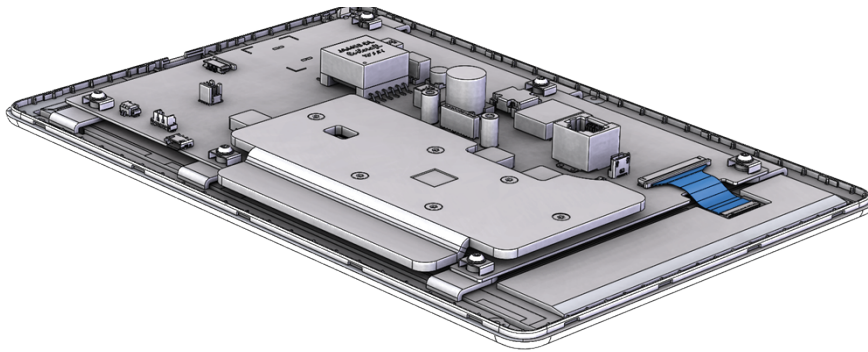


The SRF board is attached to the frame with double sided tape.

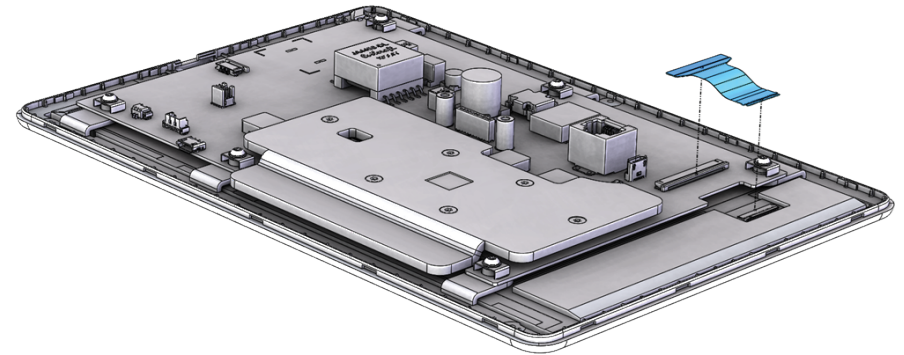
Use a heat gun to disassemble.

Step 9: Remove the display FPC

1

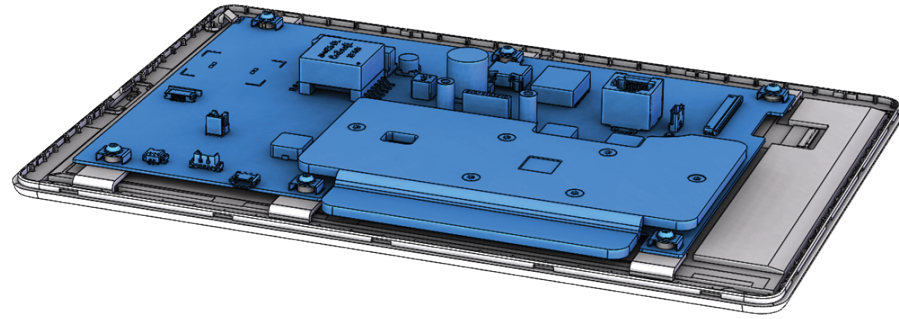


2

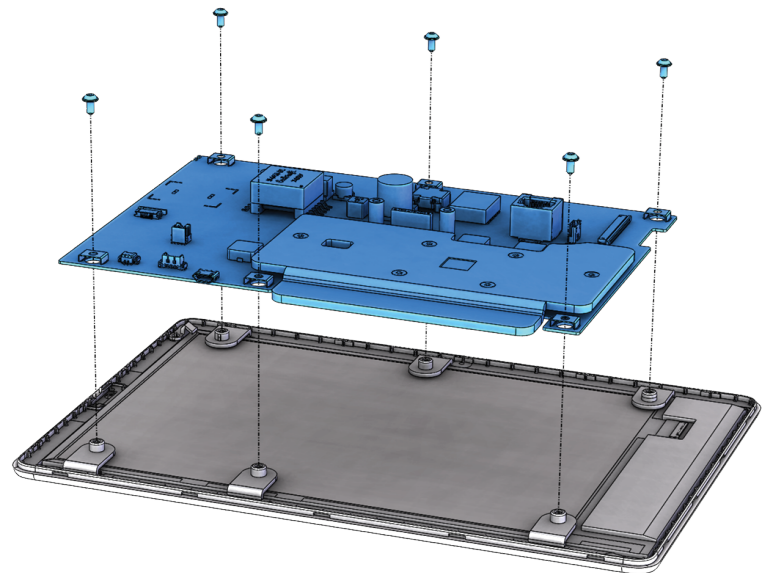


Step 10: Remove the main board

1



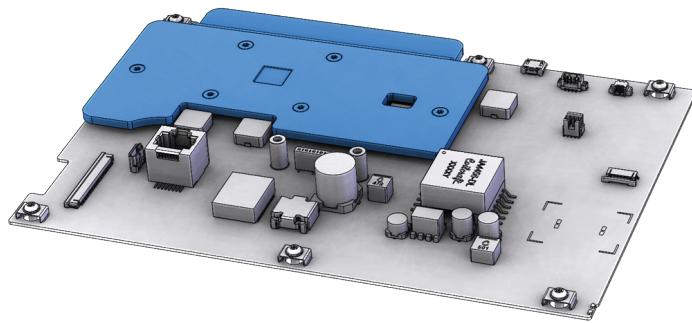
2



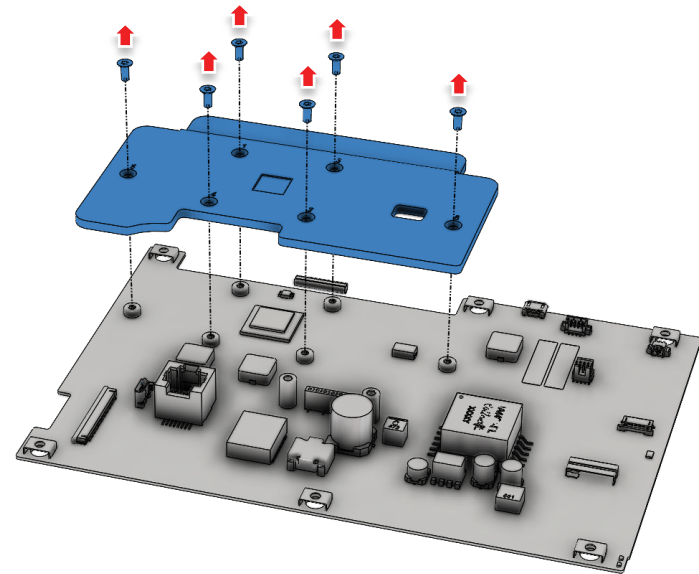
 Torx 8

Step 11: Remove the heat sink

1



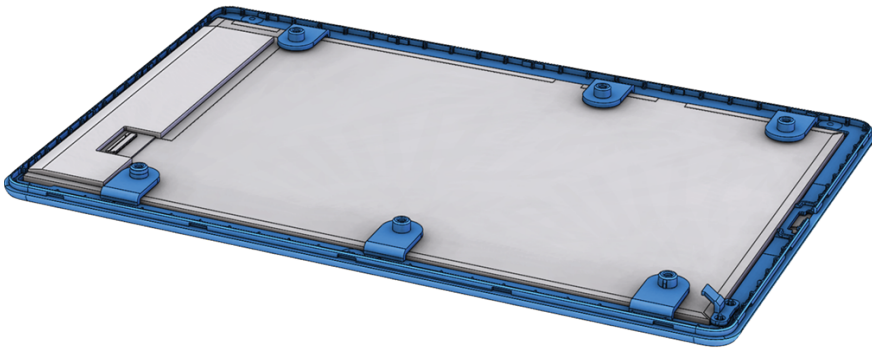
2



 Torx 8

Step 12: Disassemble the frame

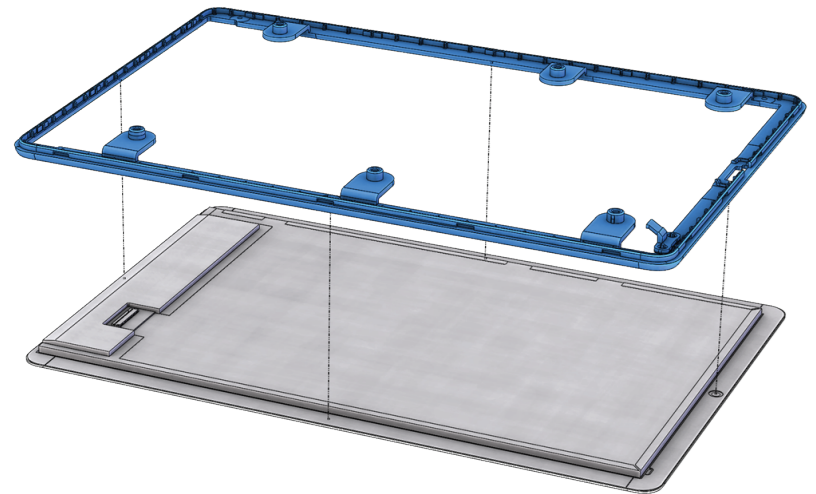
1



The display frame is attached to the LCD with double sided tape.

Use a heat gun to disassemble the display frame from the LCD.

2



Cisco contacts

On our web site you will find an overview of the worldwide Cisco contacts.

Go to: <https://www.cisco.com/go/offices>

Corporate Headquarters
Cisco Systems, Inc.
170 West Tasman Dr.
San Jose, CA 95134 USA

Intellectual property rights

THE SPECIFICATIONS AND INFORMATION REGARDING THE PRODUCTS IN THIS MANUAL ARE SUBJECT TO CHANGE WITHOUT NOTICE. ALL STATEMENTS, INFORMATION, AND RECOMMENDATIONS IN THIS MANUAL ARE BELIEVED TO BE ACCURATE BUT ARE PRESENTED WITHOUT WARRANTY OF ANY KIND, EXPRESS OR IMPLIED. USERS MUST TAKE FULL RESPONSIBILITY FOR THEIR APPLICATION OF ANY PRODUCTS.

THE SOFTWARE LICENSE AND LIMITED WARRANTY FOR THE ACCOMPANYING PRODUCT ARE SET FORTH IN THE INFORMATION PACKET THAT SHIPPED WITH THE PRODUCT AND ARE INCORPORATED HEREIN BY THIS REFERENCE. IF YOU ARE UNABLE TO LOCATE THE SOFTWARE LICENSE OR LIMITED WARRANTY, CONTACT YOUR CISCO REPRESENTATIVE FOR A COPY.

The Cisco implementation of TCP header compression is an adaptation of a program developed by the University of California, Berkeley (UCB) as part of UCB's public domain version of the UNIX operating system. All rights reserved. Copyright © 1981, Regents of the University of California.

NOTWITHSTANDING ANY OTHER WARRANTY HEREIN, ALL DOCUMENT FILES AND SOFTWARE OF THESE SUPPLIERS ARE PROVIDED "AS IS" WITH ALL FAULTS. CISCO AND THE ABOVE-NAMED SUPPLIERS DISCLAIM ALL WARRANTIES, EXPRESSED OR IMPLIED, INCLUDING, WITHOUT LIMITATION, THOSE OF MERCHANTABILITY, FITNESS FOR A PARTICULAR PURPOSE AND NONINFRINGEMENT OR ARISING FROM A COURSE OF DEALING, USAGE, OR TRADE PRACTICE.

IN NO EVENT SHALL CISCO OR ITS SUPPLIERS BE LIABLE FOR ANY INDIRECT, SPECIAL, CONSEQUENTIAL, OR INCIDENTAL DAMAGES, INCLUDING, WITHOUT LIMITATION, LOST PROFITS OR LOSS OR DAMAGE TO DATA ARISING OUT OF THE USE OR INABILITY TO USE THIS MANUAL, EVEN IF CISCO OR ITS SUPPLIERS HAVE BEEN ADVISED OF THE POSSIBILITY OF SUCH DAMAGES.

Any Internet Protocol (IP) addresses and phone numbers used in this document are not intended to be actual addresses and phone numbers. Any examples, command display output, network topology diagrams, and other figures included in the document are shown for illustrative purposes only. Any use of actual IP addresses or phone numbers in illustrative content is unintentional and coincidental.

All printed copies and duplicate soft copies are considered uncontrolled copies and the original on-line version should be referred to for latest version.

Cisco has more than 200 offices worldwide. Addresses, phone numbers, and fax numbers are listed on the Cisco website at www.cisco.com/go/offices.

Cisco and the Cisco logo are trademarks or registered trademarks of Cisco and/or its affiliates in the U.S. and other countries. To view a list of Cisco trademarks, go to this URL: www.cisco.com/go/trademarks. Third-party trademarks mentioned are the property of their respective owners. The use of the word partner does not imply a partnership relationship between Cisco and any other company. (1110R)

Cisco product security overview

This product contains cryptographic features and is subject to United States and local country laws governing import, export, transfer, and use. Delivery of Cisco cryptographic products does not imply third-party authority to import, export, distribute, or use encryption. Importers, exporters, distributors, and users are responsible for compliance with U.S. and local country laws. By using this product you agree to comply with applicable laws and regulations. If you are unable to comply with U.S. and local laws, return this product immediately.

Further information regarding U.S. export regulations may be found at <http://www.bis.doc.gov/policiesandregulations/ear/index.htm>.