



Mounting the Kit Assembly (Desktop Mount) for Cisco Edge 340 Series

First Published: July 10, 2013
78-21287-01

This guide explains how to assemble and install a support case safely, that:

- Provides physical stability for a Cisco Edge 340.
- Discourages tampering and prevents theft of the Cisco Edge 340.
- Can be mounted securely on a desktop or a table.
- Facilitates airflow for ventilation.
- Is an adaptable and cost-effective alternative to complex cabinet-making and construction projects.

This guide is intended for general contractors, specialty trade contractors, subcontractors, and other licensed professionals who are experienced in light construction work.


- [Product Kit Contents, page 2](#)
- [Tools That You Might Need, page 2](#)
- [Installation Scenarios, page 2](#)
- [Obtaining Documentation and Submitting a Service Request, page 4](#)



Product Kit Contents

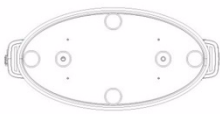
The product kit contains fabricated parts made from sheet metal and a plastic bag that holds standard supplies (fasteners). Installation scenarios in this guide refer to fasteners by the numbers as specified in the first column (No.) of [Table 1](#).

Table 1 *Fasteners (Not Shown to Exact Scale)*

No.	Description								Fastener	
	Drive Type	Head Shape	Driving Torque (inch-pounds)	Subcategory and Purpose	Appearance	Unified Thread Standard	Length in Inches	Head Diameter	Type	Quantity
1	Phillips	Pan	18-20 in-lb	Machine screw.		10-32	0.394	0.118	Screw	2

[Table 2](#) shows the fabricated parts that are contained in this product kit.

Table 2 *Fabricated Parts (Not Shown to Exact Scale)*

Name	Appearance	Quantity	Provided with This Mount Kit	Used in Desktop-Vertical Mounting Scenarios
Desktop-mount Support Bracket		1	Yes	Yes

Tools That You Might Need

Your professional training and judgment as a licensed contractor will determine the actual tools that you use while completing any of the scenarios that this guide describes. Common tools for this purpose could include:

- A Phillips screwdriver

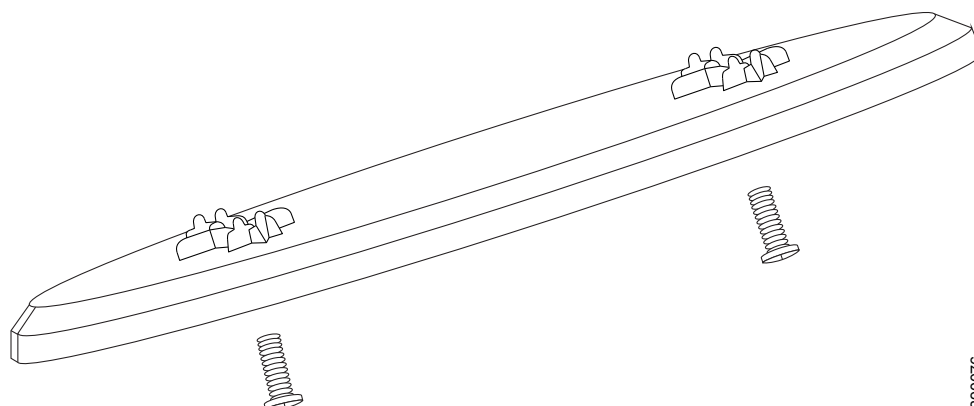
Installation Scenarios

- [Mounting to a Desk or a Table, page 3](#)

Mounting to a Desk or a Table

You can use your mounting kit to mount a Cisco Edge 340 on a desk or table vertically by using the desktop-mount bracket.

Figure 1 ACC-E340-M-V Assembled for Secure Mounting on a Desktop or a Table



Before You Begin

- The fasteners for this scenario should be number 1. For information about these fasteners, see [Table 1 on page 2](#).
- To learn which fabricated parts to use, find the column that describes this scenario in [Table 2 on page 2](#).

Procedure

-
- Step 1** Place the desktop-mount support bracket on a flat surface, such as a desktop or a table.
 - Step 2** Place the left grille of the Cisco Edge 340 onto the bracket, make sure that the bores in the left grille are aligned with the bores in the bracket.
 - Step 3** Thread a No. 1 screw through each bore in the Support Bracket, and then through the corresponding bore in the Cisco Edge 340.
 - Step 4** Tighten the screws enough to secure the Cisco Edge 340 to the support bracket.
-

Obtaining Documentation and Submitting a Service Request

For information on obtaining documentation, submitting a service request, and gathering additional information, see *What's New in Cisco Product Documentation* at:

<http://www.cisco.com/en/US/docs/general/whatsnew/whatsnew.html>.

Subscribe to *What's New in Cisco Product Documentation*, which lists all new and revised Cisco technical documentation, as an RSS feed and deliver content directly to your desktop using a reader application. The RSS feeds are a free service.

Cisco and the Cisco logo are trademarks or registered trademarks of Cisco and/or its affiliates in the U.S. and other countries. To view a list of Cisco trademarks, go to this URL: www.cisco.com/go/trademarks. Third-party trademarks mentioned are the property of their respective owners. The use of the word partner does not imply a partnership relationship between Cisco and any other company. (1110R)

Any Internet Protocol (IP) addresses used in this document are not intended to be actual addresses. Any examples, command display output, and figures included in the document are shown for illustrative purposes only. Any use of actual IP addresses in illustrative content is unintentional and coincidental.

© 2013 Cisco Systems, Inc. All rights reserved.



安装 Cisco Edge 340 系列的组件套件 (台面安装)

首次发行日期：2013 年 7 月 10 日
78-21287-01

本指南介绍如何安全组装和安装支架外壳，此外壳：

- 为 Cisco Edge 340 系列提供物理稳定性。
- 防止改装和失窃。
- 可以安全地安装在台面或桌子上。
- 改善气流，增强通风。
- 是一种适应性强且成本效益高的替代方案，可取代复杂的机柜搭设和施工工程。

本指南为总承包商、专业行业承包商、分包商和其他从事轻型建筑施工的持证专业人员而编写。

- [产品套件内容，第 2 页](#)
- [可能需要的工具，第 2 页](#)
- [安装情景，第 2 页](#)
- [获取文档和提交服务请求，第 4 页](#)



产品套件内容

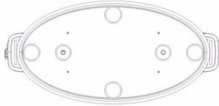
产品套件中包含由金属片制成的预制件和用于放置标准供应品（紧固件）的塑料袋。本指南中的安装情景使用表 1 第一列（编号列）中指定的编号来表示紧固件。

表 1 紧固件（非实物大小）

编号	说明								紧固件	
	螺丝刀类型	螺钉帽形状	螺丝刀扭矩（英寸-磅）	子类别与用途	外观	统一标准	长度（英寸）	螺钉帽直径	类型	数量
1	十字	盘头	18-20 英寸-磅	机械螺钉。		10-32	0.394	0.118	螺钉	2

表 2 中列出了此产品套件中包含的预制部件。

表 2 组装部件（非实物大小）

名称	外观	数量	随此安装套件提供	用于台面垂直安装情景
桌面安装支架		1	是	是

可能需要的工具

在完成本指南中描述的任何情景时，您可以根据所接受的专业培训和授权承包商资质来判断实际需要使用的工具。针对此用途的常用工具包括：

- 十字螺丝刀

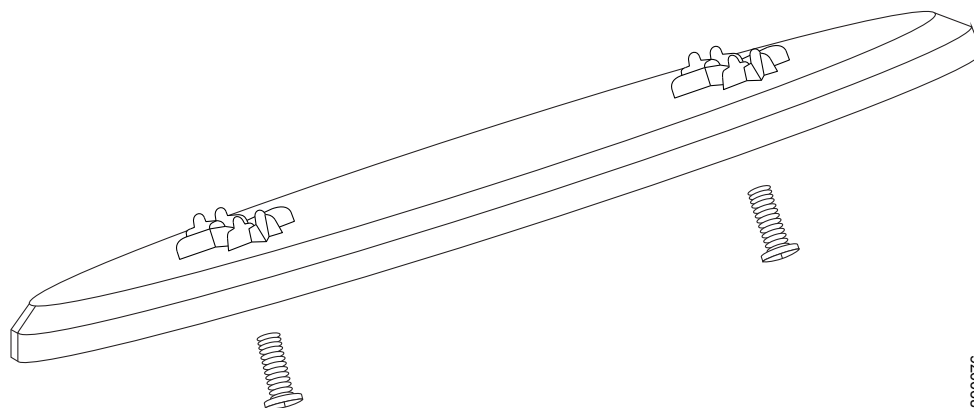
安装情景

- [安装到台面或桌子上，第 3 页](#)

安装到台面或桌子上

您可以使用台面安装支架，利用安装套件在台面或桌子上垂直安装 Cisco Edge 340。

图 1 用于台面或桌面上的安全安装的 ACC-E340-M-V



准备工作

- 此场景的紧固件应该为编号 1。有关这些紧固件的信息，请参阅第 2 页上的表 1。
- 要了解需要使用哪种组装部件，请参考第 2 页上的表 2 中描述此情景的列。

操作步骤

-
- 步骤 1** 将台面安装支架放置在平面上，例如台面或桌子。
 - 步骤 2** 将 Cisco Edge 340 的左侧格栅放到支架上，确保左侧格栅的螺纹孔与支架中的螺纹孔对齐。
 - 步骤 3** 将编号 1 螺钉穿过支架上的各个螺纹孔，然后穿过 Cisco Edge 340 上相应的螺纹孔。
 - 步骤 4** 充分拧紧螺钉，将 Cisco Edge 340 固定到支架上。
-

获取文档和提交服务请求

有关获取文档、提交服务请求和收集更多信息的相关内容，请参阅 *思科产品文档更新*，网址为：
<http://www.cisco.com/en/US/docs/general/whatsnew/whatsnew.html>。

通过 RSS 源的方式订阅 *思科产品文档更新*（其中包括所有新的和修改过的思科技术文档），并将相关内容通过阅读器应用程序直接发送至您的桌面。RSS 源是一种免费服务。

思科和思科徽标是思科和/或其附属公司在美国 以及其他国家/地区的商标或注册商标。要查看思科商标列表，请访问此 URL：
www.cisco.com/go/trademarks。本文提及的第三方商标均归属其各自所有者。使用“合作伙伴关系”一词并不意味着思科和任何其他公司存在合伙关系。(1110R)

本文档中使用的任何 Internet 协议 (IP) 地址都不是有意使用的真实地址。本文档中所含的任何示例、命令显示输出和图形仅供说明之用。说明内容中用到的任何真实 IP 地址都纯属巧合，并非有意使用。

© 2013 Cisco Systems, Inc. 保留所有权利。